

Approval body for construction products
and types of construction

Bautechnisches Prüfamt

An institution established by the Federal and
Laender Governments



European Technical Assessment

ETA-13/1038
of 22 July 2019

English translation prepared by DIBt - Original version in German language

General Part

Technical Assessment Body issuing the
European Technical Assessment:

Deutsches Institut für Bautechnik

Trade name of the construction product

Hilti screw anchor HUS3

Product family
to which the construction product belongs

Concrete screw for use in concrete

Manufacturer

Hilti Aktiengesellschaft
9494 SCHAAN
FÜRSTENTUM LIECHTENSTEIN

Manufacturing plant

Hilti Werke

This European Technical Assessment
contains

30 pages including 3 annexes which form an integral part
of this assessment

This European Technical Assessment is
issued in accordance with Regulation (EU)
No 305/2011, on the basis of

EAD 330011-00-0601 and
EAD 330232-00-0601

This version replaces

ETA-13/1038 issued on 27 April 2018

The European Technical Assessment is issued by the Technical Assessment Body in its official language. Translations of this European Technical Assessment in other languages shall fully correspond to the original issued document and shall be identified as such.

Communication of this European Technical Assessment, including transmission by electronic means, shall be in full. However, partial reproduction may only be made with the written consent of the issuing Technical Assessment Body. Any partial reproduction shall be identified as such.

This European Technical Assessment may be withdrawn by the issuing Technical Assessment Body, in particular pursuant to information by the Commission in accordance with Article 25(3) of Regulation (EU) No 305/2011.

Specific Part

1 Technical description of the product

The Hilti screw anchor HUS3 is an anchor made of galvanised steel (HUS3-H, HUS3-HF, HUS3-C, HUS3-P, HUS3-PS, HUS3-PL, HUS3-A, HUS3-I, HUS3-I Flex) of sizes 6, 8, 10 and 14. The anchor is screwed into a predrilled cylindrical drill hole. The special thread of the anchor cuts an internal thread into the member while setting. The anchorage is characterised by mechanical interlock in the special thread.
 The product description is given in Annex A.

2 Specification of the intended use in accordance with the applicable European Assessment Document

The performances given in Section 3 are only valid if the anchor is used in compliance with the specifications and conditions given in Annex B.
 The verifications and assessment methods on which this European Technical Assessment is based lead to the assumption of a working life of the anchor of at least 50 years. The indications given on the working life cannot be interpreted as a guarantee given by the producer, but are to be regarded only as a means for choosing the right products in relation to the expected economically reasonable working life of the works.

3 Performance of the product and references to the methods used for its assessment

3.1 Mechanical resistance and stability (BWR 1)

Essential characteristic	Performance
to static and quasi-static loading	See Annex C1 – C3
to seismic performance Category C1 and C2	See Annex C4 – C5
Displacements	See Annex C9 – C10
Durability	See Annex B1

3.2 Safety in case of fire (BWR 2)

Essential characteristic	Performance
Reaction to fire	Anchorage satisfy requirements for Class A1
Resistance to fire	See Annex C6 – C8

4 Assessment and verification of constancy of performance (AVCP) system applied, with reference to its legal base

In accordance with the European Assessment Document EAD 330232-00-0601 and the European Assessment Document EAD 330011-00-0601 the applicable European legal act is: [96/582/EC].
 The system to be applied is: 1

5 Technical details necessary for the implementation of the AVCP system, as provided for in the applicable European Assessment Document

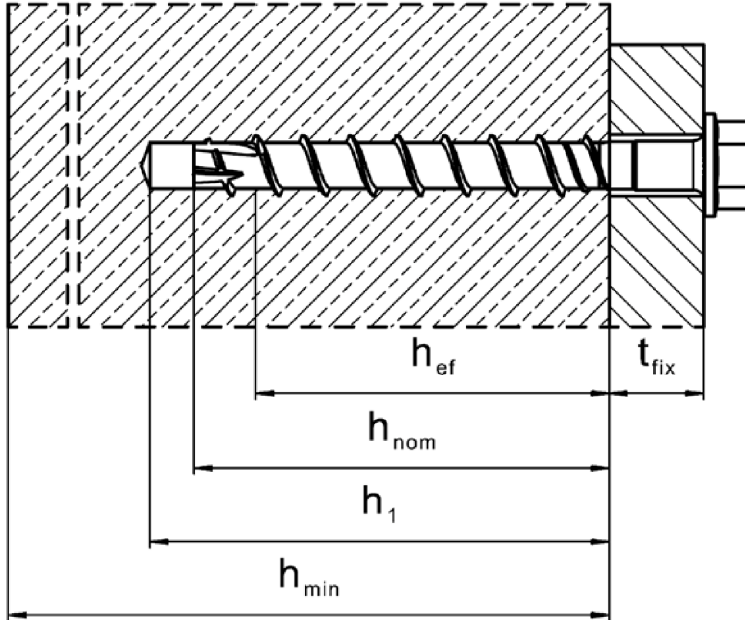
Technical details necessary for the implementation of the AVCP system are laid down in the control plan deposited with Deutsches Institut für Bautechnik.

Issued in Berlin on 22 July 2019 by Deutsches Institut für Bautechnik

Dr.-Ing. Lars Eckfeldt
p. p. Head of Department

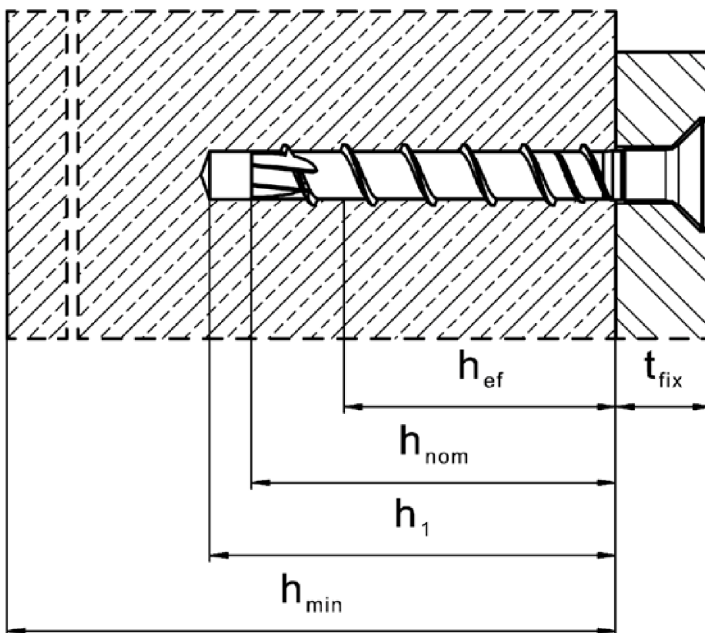
beglaubigt:
Lange

Installed condition without adjustment



HUS3-H (hexagon head configuration sizes 6, 8, 10 and 14)

HUS3-HF (hexagon head configuration sizes 8, 10 and 14)



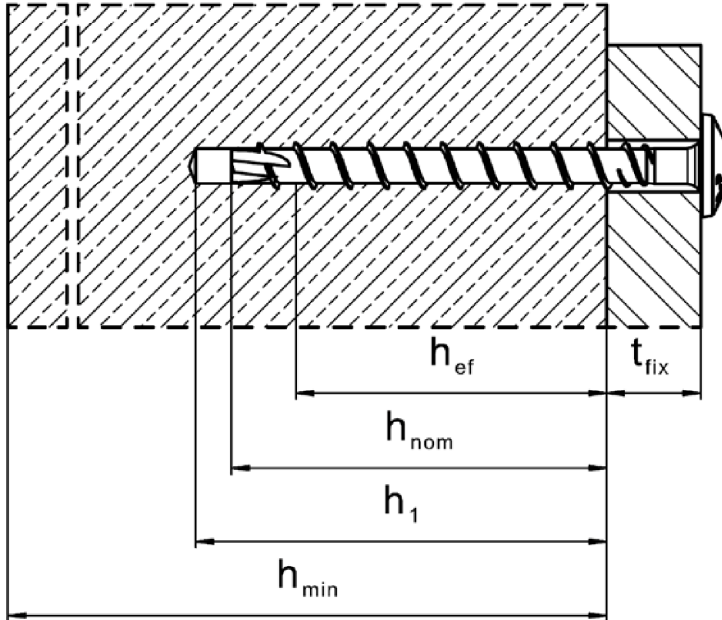
HUS3-C (countersunk head configuration sizes 6, 8 and 10)

Hilti screw anchor HUS3

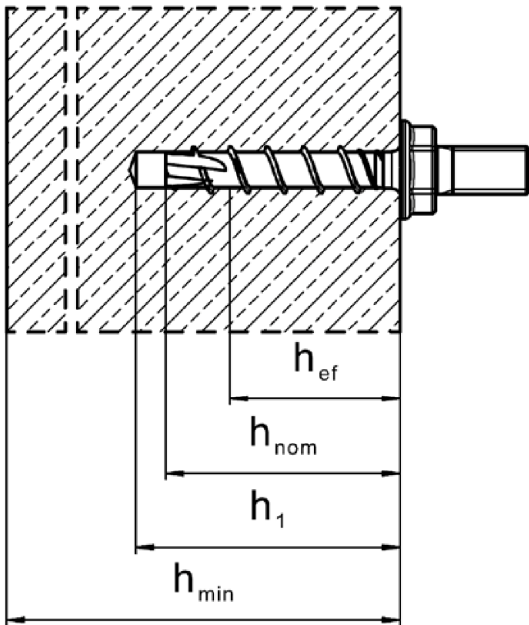
Product description
Installed condition without adjustment

Annex A1

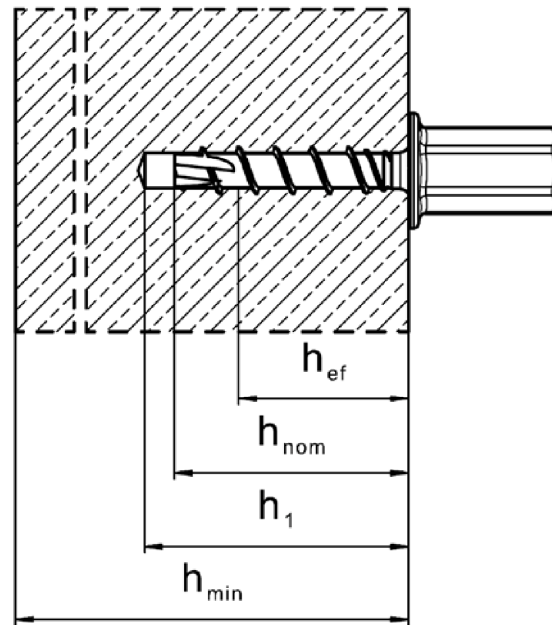
Installed condition without adjustment



HUS3-P/PS/PL (pan head configuration size 6)



HUS3-A (size 6 with external thread configuration M8 or M10)



HUS3-I (size 6 with internal thread configuration M8/M10)

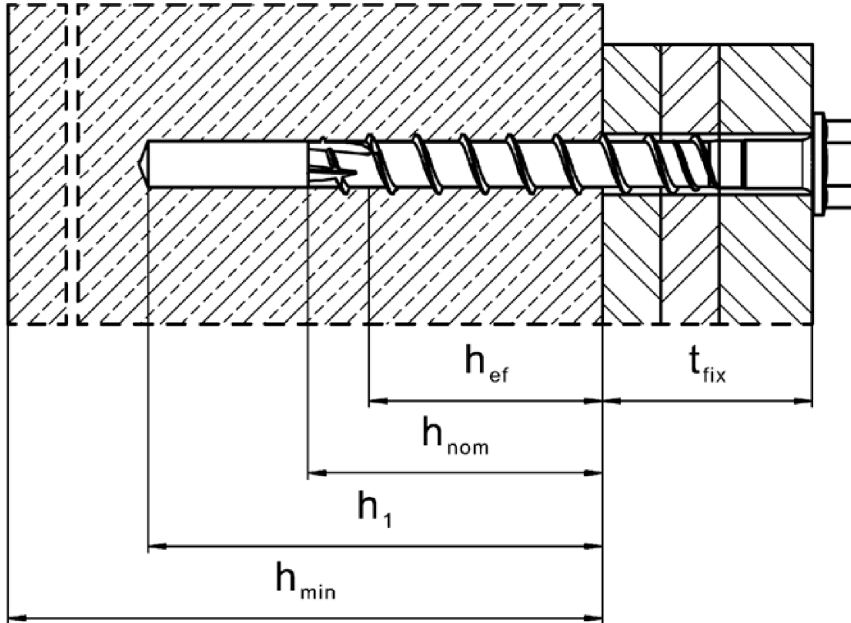
Hilti screw anchor HUS3

Product description

Installed condition without adjustment

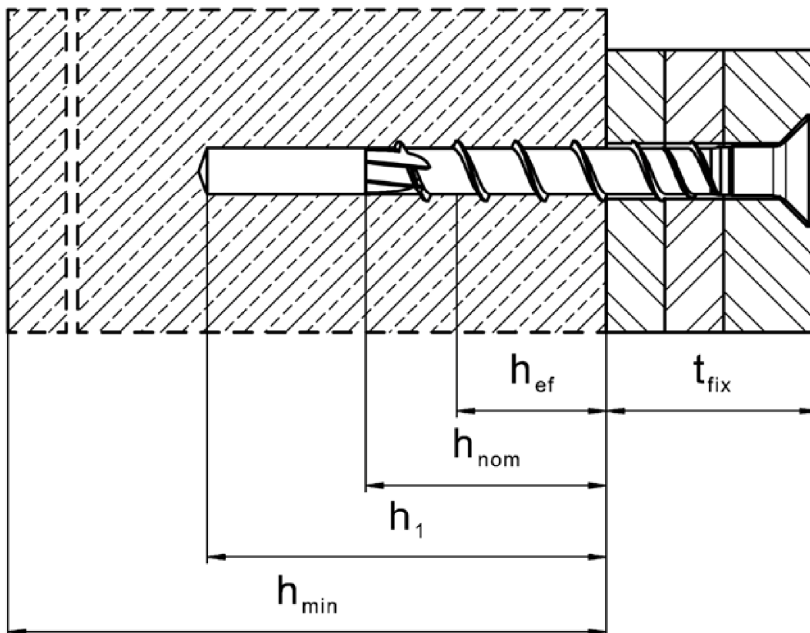
Annex A2

Installed condition with adjustment



HUS3-H (hexagon head configuration sizes 8, 10 – h_{nom2} , h_{nom3})

HUS3-HF (hexagon head configuration sizes 8 and 10 – h_{nom2} , h_{nom3})



HUS3-C (countersunk head configuration sizes 8 and 10 – h_{nom2} , h_{nom3})

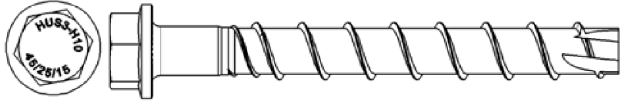
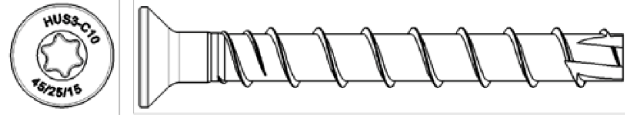
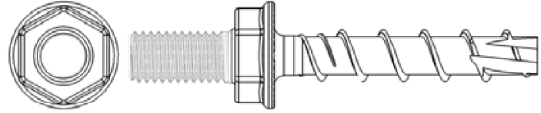
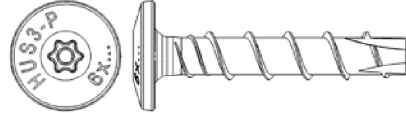
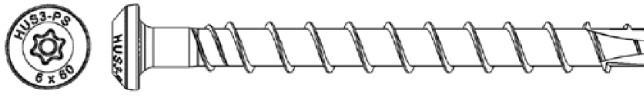
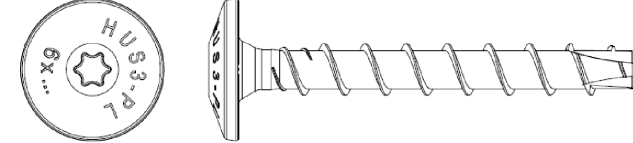
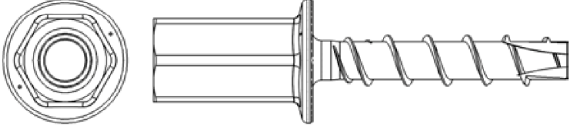
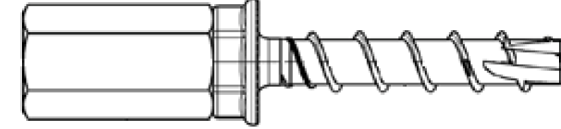
Hilti screw anchor HUS3

Product description

Installed condition with adjustment

Annex A3

Table A1: Screw types

	<p>1) Hilti HUS3-H, sizes 6, 8,10 and 14, hexagonal head configuration, galvanized</p> <p>2) Hilti HUS3-HF, sizes 8,10 and 14, hexagonal head configuration, multilayer coating</p>
	<p>3) Hilti HUS3-C, sizes 6, 8 and 10, countersunk head configuration, galvanized</p>
	<p>4) Hilti HUS3-A, size 6, external thread M8/16 and M10/21, galvanized</p>
	<p>5) Hilti HUS3-P, size 6, pan head configuration, galvanized</p>
	<p>6) Hilti HUS3-PS, size 6, pan head (small) configuration, galvanized</p>
	<p>7) Hilti HUS3-PL, size 6, pan head (large) configuration, galvanized</p>
	<p>8) Hilti HUS3-I, size 6, internal thread M8 and M10, galvanized</p>
	<p>9) Hilti HUS3-I Flex, size 6, galvanized, with external thread</p> <ul style="list-style-type: none"> - M8/16 preassembled with coupler M6 or M8, - M10/21 preassembled with coupler M10 or M12

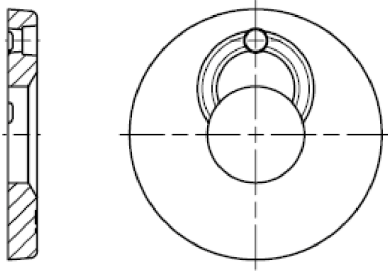
Hilti screw anchor HUS3

Production description
Screw types

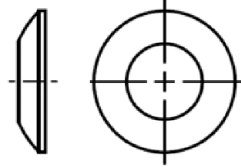
Annex A4

Hilti filling set (for HUS3-H only)

Sealing washer



Spherical washer



Injection mortar Hilti HIT-HY 200-A

Foil pack 330 ml and 500 ml

Marking:
HILTI HIT
Production number and
production line
Expiry date mm/yyyy



Product name: "Hilti HIT-HY 200-A"

Static mixer Hilti HIT-RE-M



Hilti screw anchor HUS3

Production description
Components of filling set

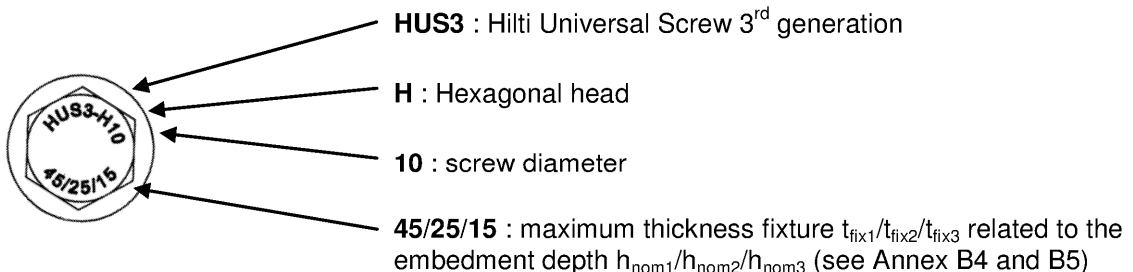
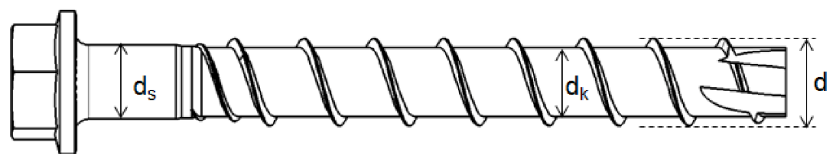
Annex A5

Table A2: Materials

Part	Designation	Material	
HUS3 screw anchor (all types in Table A1)	Size 6 all lengths	$f_{yk} \geq 745 \text{ N/mm}^2$, $f_{uk} \geq 930 \text{ N/mm}^2$	Carbon steel Rupture elongation $A_5 \leq 8\%$
	Size 8 all lengths	$f_{yk} \geq 695 \text{ N/mm}^2$, $f_{uk} \geq 810 \text{ N/mm}^2$	
	Size 10 all lengths	$f_{yk} \geq 690 \text{ N/mm}^2$, $f_{uk} \geq 805 \text{ N/mm}^2$	
	Size 14 all lengths	$f_{yk} \geq 630 \text{ N/mm}^2$, $f_{uk} \geq 730 \text{ N/mm}^2$	

Table A3: Fastener dimensions and marking

Fastener size HUS3	Type	6	8			10			14		
		H, C, A, P, PS, PL, I, I-Flex	H, HF, C			H, HF, C			H, HF	H	
Nominal embedment depth	[mm]	h_{nom}	h_{nom1}	h_{nom2}	h_{nom3}	h_{nom1}	h_{nom2}	h_{nom3}	h_{nom1}	h_{nom2}	h_{nom3}
		55	50	60	70	55	75	85	65	85	115
Threaded outer diameter	d_t [mm]	7,85	10,30			12,40			16,85		
Core diameter	d_k [mm]	5,85	7,85			9,90			12,95		
Shaft diameter	d_s [mm]	6,15	8,45			10,55			13,80		
Stressed section	A_s [mm ²]	26,9	48,4			77,0			131,7		



Hilti screw anchor HUS3

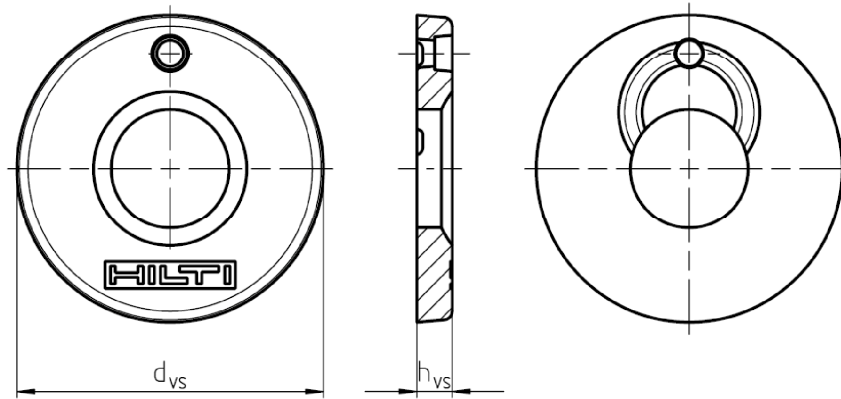
Production description
Materials and fastener dimensions

Annex A6

Table A4: Hilti filling washer dimensions

Fastener size	Hilti filling set size	Hilti filling washer	
		Diameter d_{vs} [mm]	Thickness h_{vs} [mm]
HUS3-H 8	M10	42	5
HUS3-H 10	M12	44	5
HUS3-H 14	M16	52	6

Hilti filling washer



Hilti screw anchor HUS3

Production description
Filling washer dimensions

Annex A7

Specifications of intended use

Anchorage subject to:

- Static and quasi-static loadings: all sizes and all embedment depths.
- Seismic action for performance category C1:
HUS3-H sizes 8, 10 and 14, standard and maximum embedment depth (h_{nom2} , h_{nom3}).
HUS3-C and HUS3-HF sizes 8 and 10, standard and maximum embedment depth (h_{nom2} , h_{nom3}).
- Seismic action for performance category C2:
HUS3-H sizes 8, 10 and 14, maximum embedment depth (h_{nom3}).
HUS3-C and HUS3-HF sizes 8 and 10, maximum embedment depth (h_{nom3}).
- Fire exposure: All sizes and all embedment depths.

Base materials:

- Compacted reinforced or unreinforced normal weight concrete without fibres according to EN 206:2013+A1:2016.
- Strength classes C20/25 to C50/60 according to EN 206:2013+A1:2016.
- Non-cracked or cracked concrete.

Use conditions (Environmental conditions):

- Anchorages subject to dry internal conditions.

Design:

- Anchorages are designed under the responsibility of an engineer experienced in anchorages and concrete work.
- Verifiable calculation notes and drawings are prepared taking account of the loads to be anchored. The position of the fastener is indicated on the design drawings (e. g. position of the fastener relative to reinforcement or to supports, etc.).
- Anchorages under static or quasi-static actions are designed in accordance with:
EN 1992-4:2018
- Anchorages under seismic actions (cracked concrete) are designed in accordance with:
EN 1992-4:2018 and EOTA Technical Report TR 045, 2/2013
- Anchorages shall be positioned outside of critical regions (e.g. plastic hinges) of the concrete structure. Fastenings where shear loads act on fasteners with a lever arm, such as e.g. in stand-off installation or with a grout layer, are not covered.
- Anchorages under fire exposure are designed in accordance with:
EN 1992-4:2018 and EOTA Technical Report TR 020, 4/2004
In case of requirements to resistance to fire local spalling of the concrete cover must be avoided.
- For the HUS3-PL 6, installed as described in Table B1 (Annex B3), the characteristic resistance to shear loading of a group of two or three screws shall be limited to the characteristic value of one screw. The characteristic resistance to shear loading of a group of four or more screws shall be limited to the characteristic value of two screws.

Hilti screw anchor HUS3	Annex B1
Intended use Specifications	

Specifications of intended use

Installation:

- Hammer drilling: all sizes and all embedment depths.
- Hollow drill bit: only size 14.
- Fastener installation carried out by appropriately qualified personnel and under the supervision of the person responsible for technical matters of the site.
- In case of aborted hole: new drilling at a minimum distance away of twice the depth of the aborted hole or smaller distance if the aborted hole is filled with high strength mortar and if under shear or oblique tension load it is not the direction of the load application.
- After installation further turning of the fastener must not be possible.
- The head of the fastener must be supported on the fixture and is not damaged.
- Adjustability according to Annex B8 for:
HUS3-H, HUS3-HF and HUS3-C size 8 ($h_{nom2} = 60$ mm and $h_{nom3} = 70$ mm)
HUS3-H, HUS3-HF and HUS3-C size 10 ($h_{nom2} = 75$ mm and $h_{nom3} = 85$ mm)
- Installation with Hilti filling set (HUS3-H only) according to Annex B7.

Hilti screw anchor HUS3

Intended use
Specifications

Annex B2

Table B1: Installation parameters HUS3 size 6

Fastener size HUS3			6					
			H	C	A	P-PS	I-I-Flex	PL
Nominal embedment depth	h_{nom}	[mm]	55					
Nominal drill hole diameter	d_0	[mm]	6					
Cutting diameter of drill bit	$d_{cut} \leq$	[mm]	6,40					
Clearance hole diameter	$d_f \leq$	[mm]	9					10
Wrench size (H, A, I -type)	SW	[mm]	13	-	13	-	13	-
Countersunk head diameter	d_h	[mm]	-	11,5	-	-	-	-
Torx size (C, P, PS, PL –type)	TX	-	-	30	-	30	-	30
Depth of drill hole in floor/ wall position	$h_1 \geq$	[mm]	65					
Depth of drill hole in ceiling position	$h_1 \geq$	[mm]	58					
Installation Torque	T_{inst}	[Nm]	25					
Setting tool ¹⁾	Strength class	\geq C20/25	Hilti SIW 14 A or Hilti SIW 22 A					

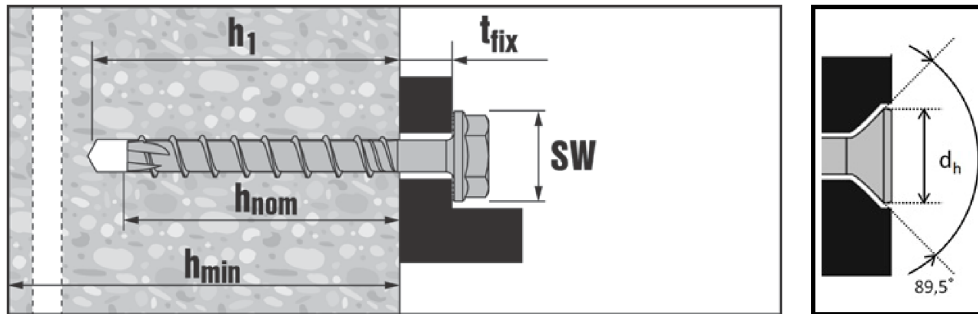
¹⁾ Installation with other impact screw driver of equivalent power is possible.

Table B2: Installation parameters HUS3 size 8, 10 and 14

Fastener size HUS3			8			10			14		
			H, HF, C			H, HF, C			H, HF		H
			h_{nom1}	h_{nom2}	h_{nom3}	h_{nom1}	h_{nom2}	h_{nom3}	h_{nom1}	h_{nom2}	h_{nom3}
Nominal embedment depth	h_{nom}	[mm]	50	60	70	55	75	85	65	85	115
Nominal drill hole diameter	d_0	[mm]	8			10			14		
Cutting diameter of drill bit	$d_{cut} \leq$	[mm]	8,45			10,45			14,50		
Clearance hole diameter	$d_f \leq$	[mm]	12			14			18		
Wrench size (H, HF-type)	SW	[mm]	13			15			21		
Diameter of countersunk head	d_h	[mm]	18			21			-		
Torx size (C-type)	TX	-	45			50			-		
Depth of drill hole	$h_1 \geq$	[mm]	60	70	80	65	85	95	75	95	125
Depth of drill hole (with adjustability setting process)	$h_1 \geq$	[mm]	-	80	90	-	95	105	-		
Setting tool ¹⁾	Strength class	C20/25	Hilti SIW 14 A or Hilti SIW 22 A or Hilti SIW 22 T-A			Hilti SIW 22 A or Hilti SIW 22 T-A			Hilti SIW 22 T-A		
		> C20/25	Hilti SIW 22 T-A								

¹⁾ Installation with other impact screw driver of equivalent power is possible.

Hilti screw anchor HUS3	Annex B3
Intended use Installation parameters	



Installation parameters for HUS3-H and -C

Table B3: Minimum thickness of concrete member, minimum edge distance and spacing HUS3 size 6

Fastener size HUS3			6
Nominal embedment depth	h_{nom}	[mm]	55
Minimum thickness of concrete member	h_{min}	[mm]	100
Cracked and non-cracked concrete	Minimum spacing	s_{min}	35
	Minimum edge distance	c_{min}	35

Table B4: Minimum thickness of concrete member, minimum edge distance and spacing HUS3 size 8, 10 and 14

Fastener size HUS3			8			10			14		
			h_{nom1}	h_{nom2}	h_{nom3}	h_{nom1}	h_{nom2}	h_{nom3}	h_{nom1}	h_{nom2}	h_{nom3}
Nominal embedment depth	h_{nom}	[mm]	50	60	70	55	75	85	65	85	115
Minimum thickness of concrete member	h_{min}	[mm]	100	100	120	100	130	140	120	160	200
Cracked and non-cracked concrete	Minimum spacing	s_{min}	[mm]	50	50	50	50	50	60	60	60
				40 if $c \geq 50$							
	Minimum edge distance	c_{min}	[mm]	40	40	40	50	50	50	60	60

Hilti screw anchor HUS3

Intended use

Minimum concrete thickness and minimum edge distance and spacing

Annex B4

Table B5: Standard¹⁾ screw lengths and maximum thickness of fixture for HUS3 size 6

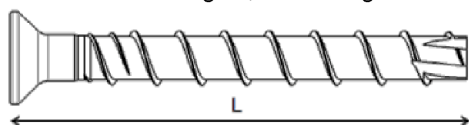
Fastener size	6					
	H	C	A	I I-Flex	P	PS PL
Nominal embedment depth [mm]	h _{nom} 55					
Length of screw [mm]	Thickness of fixture [mm]					
	t _{fix}	t _{fix}	t _{fix}	t _{fix}	t _{fix}	t _{fix}
55			0	0		
60	5	5			5	5
70		15				
80	25				25	
100	45					
120	65					
135			80			
155			100			
175			120			
195			140			

¹⁾ non-standard lengths, in the range 55 mm ≤ L ≤ 195 mm, are also in the scope of this ETA.

Table B6: Standard¹⁾ screw lengths and maximum thickness of fixture for HUS3-C size 8, 10

Fastener size	8			10		
	h _{nom1} 50	h _{nom2} 60	h _{nom3} 70	h _{nom1} 55	h _{nom2} 75	h _{nom3} 85
Nominal embedment depth [mm]	Thickness of fixture [mm]					
Length of screw [mm]	t _{fix1}	t _{fix2}	t _{fix3}	t _{fix1}	t _{fix2}	t _{fix3}
	65	15	5	-	-	-
70	-	-	-	15	-	-
75	25	15	-	-	-	-
85	35	25	15	-	-	-
90	-	-	-	35	15	-
100	-	-	-	45	25	15

¹⁾ non-standard lengths, in the range 65 mm ≤ L ≤ 100 mm, are also in the scope of this ETA.



Hilti screw anchor HUS3

Intended use

Standard screw lengths and thickness of fixture

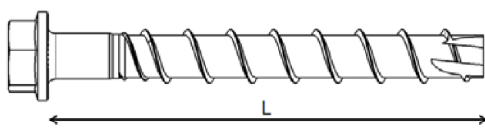
Annex B5

Table B7: Standard¹⁾ screw lengths and maximum thickness of fixture for HUS3-H, HUS3-HF²⁾

Fastener size	8			10			14		
	h_{nom1}	h_{nom2}	h_{nom3}	h_{nom1}	h_{nom2}	h_{nom3}	h_{nom1}	h_{nom2}	h_{nom3}
	50	60	70	55	75	85	65	85	115
Nominal embedment depth [mm]	Thickness of fixture [mm]								
Length of screw [mm]	t_{fix1}	t_{fix2}	t_{fix3}	t_{fix1}	t_{fix2}	t_{fix3}	t_{fix1}	t_{fix2}	t_{fix3}
55	5	-	-	-	-	-	-	-	-
60	-	-	-	5	-	-	-	-	-
65	15	5	-	-	-	-	-	-	-
70	-	-	-	15	-	-	-	-	-
75	25	15	5	-	-	-	10	-	-
80	-	-	-	25	5	-	-	-	-
85	35	25	15	-	-	-	-	-	-
90	-	-	-	35	15	5	-	-	-
100	50	40	30	45	25	15	35	15	-
110	-	-	-	55	35	25	-	-	-
120	70	60	50	-	-	-	-	-	-
130	-	-	-	75	55	45	65	45	15
150	100	90	80	95	75	65	85	65	35

¹⁾ non-standard lengths, in the range $55 \text{ mm} \leq L \leq 150 \text{ mm}$, are also in the scope of this ETA.

²⁾ HUS3-HF available for size 14 with h_{nom1} and h_{nom2} only.



Hilti screw anchor HUS3

Intended use

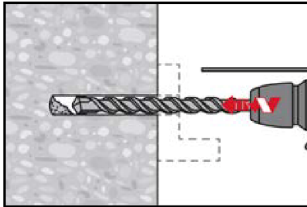
Standard screw lengths and thickness of fixture

Annex B6

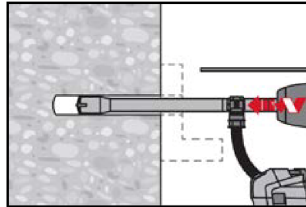
Installation instructions

Hole drilling

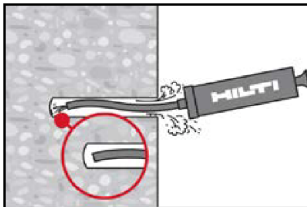
a) Hammer drilling (HD):
Size 6 to 14



b) Hammer drilling with Hilti hollow drill bit (HDB):
Size 14 only. After drilling, proceed to fastener setting



Drill hole cleaning



Clean the drill hole. For sizes 6 and 8, hole cleaning is not required when 3x ventilation¹⁾ after drilling is executed and one of the following conditions is fulfilled:

- drilling is in the vertical upwards orientation; or
- drilling is in vertical downwards direction and the drilling depth is increased²⁾ by additional $3 \cdot d_0$.

For sizes 10 and 14, hole cleaning is not required when 3x ventilation¹⁾ after drilling is executed and one of the following conditions is fulfilled:

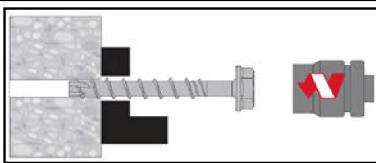
- drilling is in the vertical upwards orientation; or
- drilling is in vertical downwards or horizontal direction and the drilling depth is increased²⁾ by additional $3 \cdot d_0$; or
- Hilti hollow drill bit TE-CD is used for drilling.

¹⁾ moving the drill bit in and out of the drill hole 3 times after the recommended drilling depth h_1 is achieved. This procedure shall be done with both revolution and hammer functions activated in the drilling machine. For more details read the relevant MPII.

²⁾ it should be verified that the thickness of the concrete member in which the fastener is installed observes the minimum distance between the drilling end and the opposite end of the member, fulfilling the relation $h > h_1 + \Delta h$ with $\Delta h = \max(2 \cdot d_0; 30 \text{ mm})$.

Fastener setting

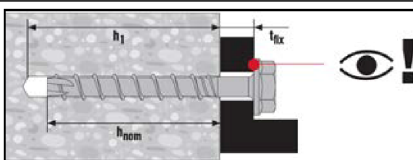
a) Setting by impact screw driver



b) Setting by torque wrench

Setting parameters listed in Table B1 and B2

Setting check



Hilti screw anchor HUS3

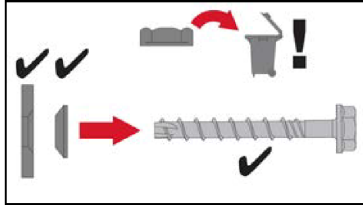
Intended use

Installation instructions without adjustment

Annex B7

Fastener setting with Hilti filling set (HUS3-H only)

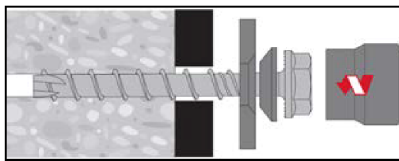
Installation of sealing washer



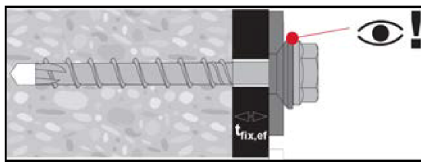
Size Seismic Set	Size HUS3	$t_{\text{fix, effective}}$ (mm)
M10	8	$t_{\text{fix}} - 7$ mm
M12	10	$t_{\text{fix}} - 8$ mm
M16	14	$t_{\text{fix}} - 9$ mm

The maximum fixture thickness t_{fix} is reduced by the overall thickness of the Hilti Filling Set after installation.

Setting by impact screw driver



Setting check



Injection of mortar

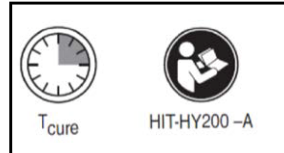
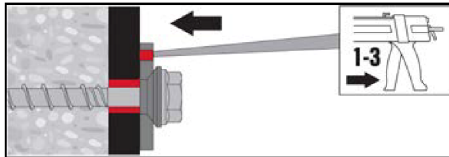


Table B8: Maximum working time and minimum curing time HY 200-A

Temperature in the base material T	Maximum working time t_{work}	Minimum curing time t_{cure}
> 0 °C to 5 °C	25 min	2 hours
> 5 °C to 10 °C	15 min	75 min
> 10 °C to 20 °C	7 min	45 min
> 20 °C to 30 °C	4 min	30 min
> 30 °C to 40 °C	3 min	30 min

Hilti screw anchor HUS3

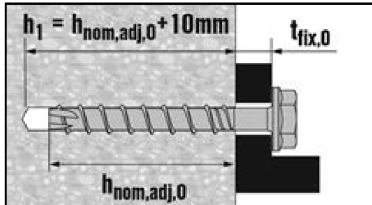
Intended use

Installation instructions with Hilti filling set

Annex B8

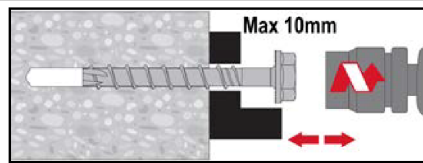
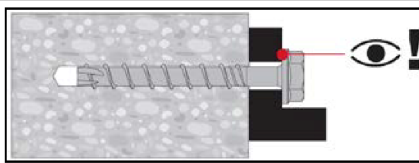
Fastener setting with adjustment

Drilling depth and fixture thickness

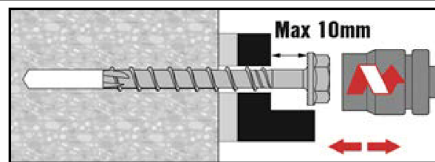
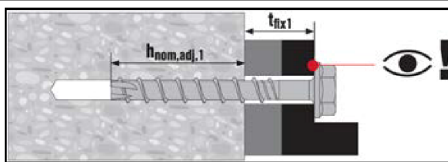


Adjusting process

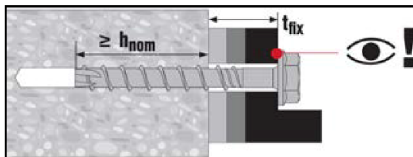
1st step



2nd step



Setting check



A screw can be adjusted maximum two times. The total allowed thickness of shims added during the adjustment process is 10 mm. The final embedding depth after adjustment process must be larger or equal than h_{nom2} or h_{nom3} .

Hilti screw anchor HUS3

Intended use

Installation instructions with adjustment

Annex B9

Table C1: Essential characteristics under static and quasi-static load in concrete for HUS3 size 6

Fastener size HUS3			6						
Type			H	C	A	I I-Flex	P	PS PL	
Nominal embedment depth	h_{nom}	[mm]	55						
Steel failure for tension and shear load									
Characteristic resistance	$N_{Rk,s}$	[kN]	24	22	24			21	
Partial factor	$\gamma_{Ms,N}^{1)}$	[-]	1,4						
Characteristic resistance	$V_{Rk,s}$	[kN]	12,5						
Partial factor	$\gamma_{Ms,V}^{1)}$	[-]	1,5						
Ductility factor	k_7	[-]	0,8						
Characteristic resistance	$M^0_{Rk,s}$	[Nm]	21						
Pull-out failure									
Characteristic resistance in non-cracked concrete C20/25	$N_{Rk,p}$	[kN]	9				7,5		
Characteristic resistance in cracked concrete C20/25	$N_{Rk,p}$	[kN]	6						
Increasing factor for concrete ψ_c	C30/37	[-]	1,22						
	C40/50	[-]	1,41						
	C50/60	[-]	1,58						
Concrete cone and splitting failure									
Effective embedment depth	h_{ef}	[mm]	42						
Factor for	Cracked	$k_{cr,N}$	7,7						
	Non-cracked	$k_{ucr,N}$	11,0						
Concrete cone failure	Edge distance	$c_{cr,N}$	1,5 h_{ef}						
	Spacing	$s_{cr,N}$	3 h_{ef}						
Splitting failure	Edge distance	$c_{or,sp}$	63						
	Spacing	$s_{cr,sp}$	126						
Robustness	γ_{inst}	[-]	1,2						
Concrete pry-out failure									
Pry-out factor	k_8	[-]	1,5						
Concrete edge failure									
Effective length of fastener	$l_f = h_{ef}$	[mm]	42						
Outside diameter of fastener	d_{nom}	[mm]	6						

¹⁾ In absence of other national regulations.

Hilti screw anchor HUS3

Performances

Essential characteristics under static and quasi-static load in concrete

Annex C1

Table C2: Essential characteristics under static and quasi-static load in concrete for HUS3 size 8, 10, 14

Fastener size HUS3			8			10			14		
			h_{nom1}	h_{nom2}	h_{nom3}	h_{nom1}	h_{nom2}	h_{nom3}	h_{nom1}	h_{nom2}	h_{nom3}
Nominal embedment depth	h_{nom}	[mm]	50	60	70	55	75	85	65	85	115
Adjustment											
Total max. thickness of adjustment layers	t_{adj}	[mm]	-	10	10	-	10	10	-	-	-
Max. number of adjustments	n_a	[-]	-	2	2	-	2	2	-	-	-
Steel failure for tension load											
Characteristic resistance	$N_{Rk,s}$	[kN]	39,2			62,2			96,6		
Partial factor	$\gamma_{Ms,N}^{1)}$	[-]				1,4					
Pull-out failure											
Characteristic resistance in non-cracked concrete C20/25	$N_{Rk,p}$	[kN]	9	12	16	12	20	²⁾	²⁾	²⁾	²⁾
Characteristic resistance in cracked concrete C20/25	$N_{Rk,p}$	[kN]	6	9	12	²⁾	²⁾	²⁾	²⁾	²⁾	²⁾
Increasing factor for concrete ψ_c	C30/37	[-]				1,22					
	C40/50	[-]				1,41					
	C50/60	[-]				1,58					
Concrete cone and splitting failure											
Effective embedment depth	h_{ef}	[mm]	40	46,4	54,9	41,6	58,6	67,1	49,3	66,3	91,8
Factor for	Cracked	$k_{cr,N}$				7,7					
	Non-cracked	$k_{ucr,N}$				11,0					
Concrete cone failure	Edge distance	$c_{cr,N}$				1,5 h_{ef}					
	Spacing	$s_{cr,N}$				3 h_{ef}					
Splitting failure	Edge distance	$c_{cr,sp}$	60	70	85	65	90	110	85	100	140
	Spacing	$s_{cr,sp}$	120	140	170	130	180	220	170	200	280
Robustness	γ_{inst}	[-]				1,0					

¹⁾ In absence of other national regulations.

²⁾ Pull-out failure is not decisive.

Hilti screw anchor HUS3

Performances

Essential characteristics under static and quasi-static load in concrete

Annex C2

Table C2 continued

Fastener size HUS3			8			10			14		
			h_{nom1}	h_{nom2}	h_{nom3}	h_{nom1}	h_{nom2}	h_{nom3}	h_{nom1}	h_{nom2}	h_{nom3}
Nominal embedment depth	h_{nom}	[mm]	50	60	70	55	75	85	65	85	115
Adjustment											
Total max. thickness of adjustment layers	t_{adj}	[mm]	-	10	10	-	10	10	-	-	-
Max. number of adjustments	n_a	[-]	-	2	2	-	2	2	-	-	-
Steel failure for shear load											
Characteristic resistance	$V_{Rk,s}$	[kN]	19		22	30		34	55		62
Partial factor	$\gamma_{Ms,V}^{1)}$	[-]	1,5								
Ductility factor	k_7	[-]	0,8								
Characteristic resistance	$M_{Rk,s}^0$	[Nm]	46			92			187		
Concrete pry-out failure											
Pry-out factor	k_8	[-]	1,0	2,0		1,0	2,0				
Concrete edge failure											
Effective length of fastener	$l_f = h_{ef}$	[mm]	40	46,4	54,9	41,6	58,6	67,1	49,3	66,3	91,8
Outside diameter of fastener	d_{nom}	[mm]	8			10			14		

¹⁾ In absence of other national regulations.

Hilti screw anchor HUS3

Performances

Essential characteristics under static and quasi-static load in concrete

Annex C3

Table C3: Essential characteristics for seismic performance category C1 in concrete

Fastener size HUS3			8		10		14	
			h_{nom2}	h_{nom3}	h_{nom2}	h_{nom3}	h_{nom2}	h_{nom3}
Nominal embedment depth	h_{nom}	[mm]	60	70	75	85	85	115
Steel failure for tension and shear load								
Characteristic resistance	$N_{Rk,s,seis}$	[kN]	39,2		62,2		96,6	
Partial factor	$\gamma_{Ms,N}^{1)}$	[-]	1,4					
Characteristic resistance	$V_{Rk,s,seis}$	[kN]	11,9	16,8	17,7	22,5	34,5	
Partial factor	$\gamma_{Ms,V}^{1)}$	[-]	1,5					
Pull-out failure								
Characteristic resistance in cracked concrete	$N_{Rk,p,sois}$	[kN]	9	12	2)	2)	2)	2)
Concrete cone failure								
Effective embedment depth	h_{ef}	[mm]	46,4	54,9	58,6	67,1	66,3	91,8
Concrete cone failure	Edge distance	$c_{Cr,N}$	1,5 h_{ef}					
	Spacing	$s_{Cr,N}$	3 h_{ef}					
Robustness	γ_{inst}	[-]	1,0					
Concrete pry-out failure								
Pry-out factor	k_8	[-]	2,0					
Concrete edge failure								
Effective length of fastener	$l_f = h_{ef}$	[mm]	46,4	54,9	58,6	67,1	66,3	91,8
Outside diameter of fastener	d_{nom}	[mm]	8		10		14	

¹⁾ In absence of other national regulations.

²⁾ Pull-out failure is not decisive.

Hilti screw anchor HUS3

Performances

Essentials characteristics for seismic performance category C1 in concrete

Annex C4

Table C4: Essential characteristics for seismic performance category C2 in concrete

Fastener size HUS3			8	10	14
			h_{nom3}	h_{nom3}	h_{nom3}
Nominal embedment depth	h_{nom}	[mm]	70	85	115
Adjustment					
Total max. thickness of adjustment layers	t_{adj}	[mm]	10	10	-
Max. number of adjustments	n_a	[-]	2	2	-
Steel failure for tension load					
Characteristic resistance	$N_{Rk,s,seis}$	[kN]	39,2	62,2	96,6
Partial factor	$\gamma_{Ms,N}^{1)}$	[-]	1,4		
Pull out failure					
Characteristic resistance in cracked concrete	$N_{Rk,p,seis}$	[kN]	3,2	9,4	17,7
Concrete cone failure					
Effective embedment depth	h_{ef}	[mm]	54,9	67,1	91,8
Concrete cone failure	Edge distance	$c_{cr,N}$	1,5 h_{ef}		
	Spacing	$s_{cr,N}$	3 h_{ef}		
Robustness	γ_{inst}	[-]	1,0		
Steel failure for shear load					
Installation with Hilti filling set (HUS3-H only); $\alpha_{gap} = 1,0$					
Characteristic resistance	$V_{Rk,s,seis}$	[kN]	14,7	25,6	46,5
Partial factor	$\gamma_{Ms,V}^{1)}$	[-]	1,5		
Installation without Hilti filling set; $\alpha_{gap} = 0,5$					
Characteristic resistance	$V_{Rk,s,seis}$	[kN]	10,8	17,7	34,4
Partial factor	$\gamma_{Ms,V}^{1)}$	[-]	1,5		
Concrete pry-out failure					
Pry-out factor	k_8	[-]	2,0		
Concrete edge failure					
Effective length of fastener	$l_f = h_{ef}$	[mm]	54,9	67,1	91,8
Outside diameter of fastener	d_{nom}	[mm]	8	10	14

¹⁾ In absence of other national regulations.

Hilti screw anchor HUS3

Annex C5

Performances

Essentials characteristics for seismic performance category C2 in concrete

Table C5: Essential characteristics under fire exposure in concrete for HUS3 size 6

Fastener HUS3				6						
				H	C	A	I I-Flex	P	PS PL	
Type										
Nominal embedment depth	h_{nom}	[mm]	55							
Steel failure for tension and shear load ($F_{Rk,s,fi} = N_{Rk,s,fi} = V_{Rk,s,fi}$)										
Characteristic resistance	R30	$F_{Rk,s,fi}$	[kN]	1,6						
	R60	$F_{Rk,s,fi}$	[kN]	1,2						
	R90	$F_{Rk,s,fi}$	[kN]	0,8						
	R120	$F_{Rk,s,fi}$	[kN]	0,7						
	R30	$M^0_{Rk,s,fi}$	[Nm]	1,4						
	R60	$M^0_{Rk,s,fi}$	[Nm]	1,1						
	R90	$M^0_{Rk,s,fi}$	[Nm]	0,7						
	R120	$M^0_{Rk,s,fi}$	[Nm]	0,6						
Pull-out failure										
Characteristic resistance	R30 R60 R90	$N_{Rk,p,fi}$	[kN]	1,5						
	R120	$N_{Rk,p,fi}$	[kN]	1,2						
Concrete cone failure										
Characteristic resistance	R30 R60 R90	$N^0_{Rk,c,fi}$	[kN]	1,8						
	R120	$N^0_{Rk,c,fi}$	[kN]	1,5						
Edge distance										
R30 to R120			$c_{cr,fi}$	[mm]	2 h_{ef}					
In case of fire attack from more than one side, the minimum edge distance shall be ≥ 300 mm										
Fastener spacing										
R30 to R120			$s_{cr,fi}$	[mm]	2 $c_{cr,fi}$					
Concrete pry-out failure										
R30 to R120			k_8	[-]	1,5					
The anchorage depth shall be increased for wet concrete by at least 30 mm compared to the given value										

Hilti screw anchor HUS3

Performances
Essential characteristics under fire exposure in concrete

Annex C6

Table C6: Essential characteristics under fire exposure in concrete for HUS3-H and HUS3-HF

Fastener HUS3-H and HUS3-HF			8			10			14			
			h_{nom1}	h_{nom2}	h_{nom3}	h_{nom1}	h_{nom2}	h_{nom3}	h_{nom1}	h_{nom2}	h_{nom3}	
Nominal embedment depth	h_{nom}	[mm]	50	60	70	55	75	85	65	85	115	
Steel failure for tension and shear load ($F_{Rk,s,fi} = N_{Rk,s,fi} = V_{Rk,s,fi}$)												
Characteristic resistance	R30	$F_{Rk,s,fi}$	[kN]	3,2	3,5	3,8	6,1	6,2	10,4	10,6		
	R60	$F_{Rk,s,fi}$	[kN]	2,4	2,6	2,8	4,6	4,7	7,8	8,1		
	R90	$F_{Rk,s,fi}$	[kN]	1,6	1,6	1,9	3,1	3,2	5,3	5,5		
	R120	$F_{Rk,s,fi}$	[kN]	1,2	1,2	1,5	2,4	2,5	4,0	4,3		
	R30	$M^0_{Rk,s,fi}$	[Nm]	3,8	4,1	4,4	9,1	9,2	20,4	20,6		
	R60	$M^0_{Rk,s,fi}$	[Nm]	2,8	3,0	3,4	6,9	7,0	15,4	15,7		
	R90	$M^0_{Rk,s,fi}$	[Nm]	1,9	1,9	2,3	4,6	4,8	10,4	10,7		
	R120	$M^0_{Rk,s,fi}$	[Nm]	1,5	1,4	1,7	3,5	3,7	7,9	8,3		
Pull-out failure												
Characteristic resistance	R30 R60 R90	$N_{Rk,p,fi}$	[kN]	1,5	2,3	3,0	2,4	4,0	4,9	3,1	4,8	7,8
	R120	$N_{Rk,p,fi}$	[kN]	1,2	1,8	2,4	1,9	3,2	3,9	2,5	3,8	6,3
Concrete cone failure												
Characteristic resistance	R30 R60 R90	$N^0_{Rk,c,fi}$	[kN]	1,8	2,6	4,0	2,0	4,7	6,6	3,0	6,4	14,4
	R120	$N^0_{Rk,c,fi}$	[kN]	1,4	2,1	3,2	1,6	3,8	5,3	2,4	5,1	11,5
Edge distance												
R30 to R120 $C_{cr,fi}$			[mm]	2 h_{ef}								
In case of fire attack from more than one side, the minimum edge distance shall be ≥ 300 mm												
Fastener spacing												
R30 to R120 $S_{cr,fi}$			[mm]	2 $C_{cr,fi}$								
Concrete pry-out failure												
R30 to R120 k_8			[-]	1,0	2,0	1,0	2,0					
The anchorage depth shall be increased for wet concrete by at least 30 mm compared to the given value												

Hilti screw anchor HUS3

Performances
Essential characteristics under fire exposure in concrete

Annex C7

Table C7: Essential characteristics under fire exposure in concrete for HUS3-C

Fastener HUS3-C				8			10		
				h_{nom1}	h_{nom2}	h_{nom3}	h_{nom1}	h_{nom2}	h_{nom3}
Nominal embedment depth		h_{nom}	[mm]	50	60	70	55	75	85
Steel failure for tension and shear load ($F_{Rk,s,fi} = N_{Rk,s,fi} = V_{Rk,s,fi}$)									
Characteristic resistance	R30	$F_{Rk,s,fi}$	[kN]	0,5			1,2		
	R60	$F_{Rk,s,fi}$	[kN]	0,4			1,0		
	R90	$F_{Rk,s,fi}$	[kN]	0,3			0,8		
	R120	$F_{Rk,s,fi}$	[kN]	0,2			0,6		
	R30	$M^0_{Rk,s,fi}$	[Nm]	0,6			1,7		
	R60	$M^0_{Rk,s,fi}$	[Nm]	0,5			1,5		
	R90	$M^0_{Rk,s,fi}$	[Nm]	0,4			1,1		
	R120	$M^0_{Rk,s,fi}$	[Nm]	0,3			0,9		
Pull-out failure									
Characteristic resistance	R30 R60 R90	$N_{Rk,p,fi}$	[kN]	1,5	2,3	3,0	2,4	4,0	5,0
	R120	$N_{Rk,p,fi}$	[kN]	1,2	1,8	2,4	1,9	3,2	4,0
Concrete cone failure									
Characteristic resistance	R30 R60 R90	$N^0_{Rk,c,fi}$	[kN]	1,8	2,6	4,0	2,0	4,7	6,6
	R120	$N^0_{Rk,c,fi}$	[kN]	1,5	2,1	3,2	1,6	3,8	5,3
Edge distance									
R30 to R120			$c_{cr,fi}$	[mm]	2 h_{ef}				
In case of fire attack from more than one side, the minimum edge distance shall be ≥ 300 mm									
Fastener spacing									
R30 to R120			$s_{cr,fi}$	[mm]	2 $c_{cr,fi}$				
Concrete pry-out failure									
R30 to R120			k_8	[-]	1,0	2,0	1,0	2,0	
The anchorage depth shall be increased for wet concrete by at least 30 mm compared to the given value									

Hilti screw anchor HUS3

Performances
Essential characteristics under fire exposure in concrete

Annex C8

Table C8: Displacements under tension loads

Fastener size HUS3 Type				6	
				H, C, A, I	P, PS, PL
Nominal embedment depth	h_{nom}	[mm]		55	
Cracked concrete C20/25 to C50/60	Tension Load	N	[kN]	2,4	
		δ_{N0}	[mm]	0,1	
	Displacement	$\delta_{N\infty}$	[mm]	0,6	
		$\delta_{N,seis,C1}$	[mm]	-	
Non-cracked concrete C20/25 to C50/60	Tension Load	N	[kN]	3,6	3,0
		δ_{N0}	[mm]	0,2	
	Displacement	$\delta_{N\infty}$	[mm]	0,3	

Table C9: Displacements under tension loads

Fastener size HUS3				8			10			14		
				h_{nom1}	h_{nom2}	h_{nom3}	h_{nom1}	h_{nom2}	h_{nom3}	h_{nom1}	h_{nom2}	h_{nom3}
Nominal embedment depth		[mm]	50	60	70	55	75	85	65	85	115	
Cracked concrete C20/25 to C50/60	Tension Load	N	[kN]	4,3	5,7	7,6	5,7	9,5	13,2	8,3	13,0	21,2
		δ_{N0}	[mm]	0,3	0,4	0,3	0,4	0,4	0,4	0,6	0,5	0,5
	Displacement	$\delta_{N\infty}$	[mm]	0,7	0,7	0,6	0,4	0,4	0,5	0,9	1,2	1,0
		$\delta_{N,seis,C1}$	[mm]	-	-	0,6	-	-	0,9	-	-	1,3
Non-cracked concrete C20/25 to C50/60	Tension Load	N	[kN]	6,6	8,9	11,8	8,7	14,8	20,5	12,9	20,1	32,8
		δ_{N0}	[mm]	0,1	0,2	0,1	0,1	0,1	0,1	0,1	0,2	0,3
	Displacement	$\delta_{N\infty}$	[mm]	0,3			0,2			0,5		

Table C10: Displacements under shear loads

Fastener size HUS3				6	8			10			14		
				h_{nom}	h_{nom1}	h_{nom2}	h_{nom3}	h_{nom1}	h_{nom2}	h_{nom3}	h_{nom1}	h_{nom2}	h_{nom3}
Nominal embedment depth		[mm]	55	50	60	70	55	75	85	65	85	115	
Cracked concrete C20/25 to C50/60	Shear Load	V	[kN]	6,0	8,1			13,3			21,4		
		δ_{V0}	[mm]	1,9	2,5	3,4	2,9	3,8	3,7	3,2	3,6	3,2	2,4
	Displacement	$\delta_{V\infty}$	[mm]	2,8	3,7	5,1	4,4	5,7	5,5	4,9	5,4	6,9	3,5
		$\delta_{V,seis,C1}$	[mm]	-	-	-	0,6	-	-	0,9	-	-	1,3

Hilti screw anchor HUS3

Performances

Displacement values in case of static and quasi-static loading

Annex C9

Table C11: Displacements under tension load for seismic performance category C2

Fastener size HUS3			8	10	14
			h_{nom3}	h_{nom3}	h_{nom3}
Nominal embedment depth			70	85	115
Displacement DLS	$\delta_{N,seis} (DLS)$	[mm]	0,35	0,57	1,43
Displacement ULS	$\delta_{N,seis} (ULS)$	[mm]	0,65	2,08	4,32

Table C12: Displacements under shear load for seismic performance category C2

Fastener size HUS3			8	10	14
			h_{nom3}	h_{nom3}	h_{nom3}
Nominal embedment depth			70	85	115
Installation with Hilti filling set (HUS3-H only)					
Displacement DLS	$\delta_{V,seis} (DLS)$	[mm]	1,81	1,80	2,52
Displacement ULS	$\delta_{V,seis} (ULS)$	[mm]	4,60	4,03	6,79
Installation without Hilti filling set					
Displacement DLS	$\delta_{V,seis} (DLS)$	[mm]	3,93	4,15	4,93
Displacement ULS	$\delta_{V,seis} (ULS)$	[mm]	5,55	6,15	9,14

Hilti screw anchor HUS3

Performances

Displacement values in case of seismic performance category C2

Annex C10