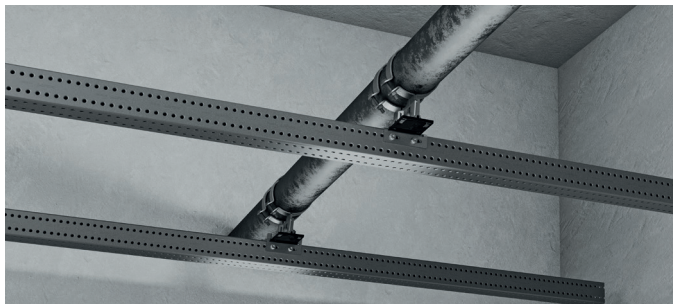


Pipe shoe MP-PS L2-2

Adjustable double pipe shoes with outdoor coating for fastening 21-328 mm (1/2" to 12") diameter pipes to various base materials in moderately corrosive environments.



Applications

- Fastening pipes to steel beams, concrete or Hilti modular support girders
- Pipe installations in onshore industrial, power generation, pharmaceutical, electronics or automotive manufacturing facilities
- Suitable for application temperatures of up to 300 °C and an insulation thickness of up to 220 mm
- Recommended for use in Indoor or Outdoor with low to moderate pollution (C3)

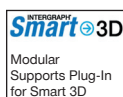
Advantages

- One-for-all versatility – use the same pipe shoe system for fix-, slide-, guided- or freestanding supports to Hilti modular girders, steel beams and concrete
- Extensive software support – simplify calculation by using PROFIS, Hilti FixPoint Calculator, BIM/CAD libraries and various plug-ins
- Load data and documentation available – design according to EN13480-3, Eurocode 3 and MSS-SP58 guidelines for pipe support components
- Quicker installation on-site – easily adjust the height and slope after fastening the pipe shoe in place
- Wider clamping range – suitable for various different pipes with or without additional inlays



Hilti
FixPoint
Calculator

BIM/CAD-
Bibliotheken



Modular
Supports Plug-In
for Smart 3D

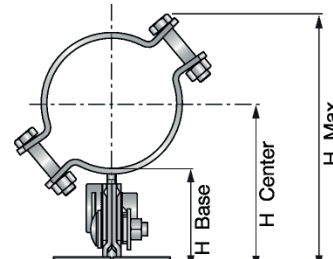
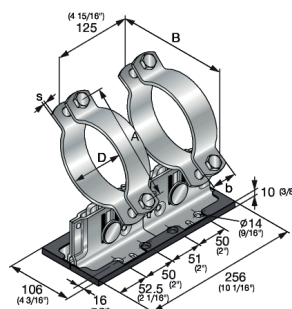
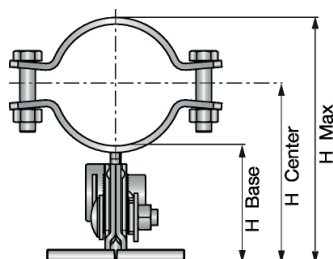
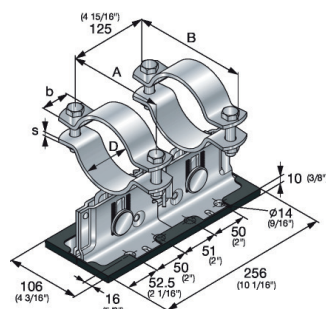


Modular
Supports Plug-In
for PDMS & E3D

PWIS / LABS
Conform
VDMA 24364

Technical data

Material composition	Base-plate: S280GD / Modif POSMAC-C, Bows: S235JR - DIN EN10025, Middle-plate: S235JR - DIN EN 10025, Sliding-plate: PA66 +GF30, Bolt: Steel grade 8.8, Nut: Steel grade 8
Material thickness	Base-plate: 4 mm, Middle-plate: 7 mm, Sliding-plate: 3 mm, Serratedwasher: 4 mm
Surface finish	Lower bow, Middle-plate: Hot dip galvanized 70µm - DIN EN ISO 1461, Upper bow: Hot dip galvanized 55µm - DIN EN ISO 1461, Base-plate: ZM300
Environmental conditions	Outdoor, low to moderate pollution (C3)
Base material type	Concrete, Steel, Modular Support
Wrench size	19 mm
H Base	88.5 - 116 mm
Max. Height adjustability	27.5 mm
Max. Inclination	12°
Temperature resistance	-20 - 300 °C
Fire resistance (Yes/No)	No
Additional product information	PA66-GF30 vs ZM: 0.146, PA66-GF30 vs HDG: 0.129, PA66-GF30 vs Zn: 0.177



Order Designation	D	B	Clamp screw	H Center	H Max	Nominal pipe size	Nominal pipe size	Weight	Available in	Packed to	Item number
MP-PS L2-2 21-26 1/2" OC	21 - 26 mm	81 mm	M10x50	101.5 - 129 mm	121 - 148.5 mm	1/2 in	15 mm	3.12 kg	A, CH, D	4 Pcs	2330973
MP-PS L2-2 26-31 3/4" OC	26 - 31 mm	87 mm	M10x50	104 - 131.5 mm	126 - 153.5 mm	3/4 in	20 mm	3.15 kg	A, CH, D	4 Pcs	2330974
MP-PS L2-2 32-37 1" OC	32 - 37 mm	95 mm	M10x50	107 - 134.5 mm	132 - 159.5 mm	1 in	25 mm	3.2 kg	A, CH, D	4 Pcs	2330975
MP-PS L2-2 38-44 1-1/4" OC	38 - 44 mm	101 mm	M10x50	110.5 - 138 mm	139 - 166.5 mm	1-1/4 in	32 mm	3.24 kg	A, CH, D	4 Pcs	2330976
MP-PS L2-2 45-51 1-1/2" OC	45 - 51 mm	109 mm	M10x50	114 - 141.5 mm	146 - 173.5 mm	1-1/2 in	40 mm	3.29 kg	A, CH, D	4 Pcs	2330977
MP-PS L2-2 52-58 OC	52 - 58 mm	125 mm	M12x55	117.5 - 145 mm	153 - 180.5 mm			3.67 kg	A, CH, D	4 Pcs	2330978
MP-PS L2-2 59-65 2" OC	59 - 65 mm	134 mm	M12x55	121 - 148.5 mm	160 - 187.5 mm	2 in	50 mm	3.74 kg	A, CH, D	4 Pcs	2330979
MP-PS L2-2 68-74 OC	68 - 74 mm	144 mm	M12x55	125.5 - 153 mm	169 - 196.5 mm			3.83 kg	A, CH, D	4 Pcs	2330980
MP-PS L2-2 75-81 2-1/2" OC	75 - 81 mm	152 mm	M12x55	129 - 156.5 mm	176 - 203.5 mm	2-1/2 in	65 mm	3.9 kg	A, CH, D	4 Pcs	2330981
MP-PS L2-2 88-94 3" OC	88 - 94 mm	164 mm	M12x55	135.5 - 163 mm	189 - 216.5 mm	3 in	80 mm	4.02 kg	A, CH, D	2 Pcs	2330982
MP-PS L2-2 100-108 3-1/2" OC	100 - 108 mm	176 mm	M12x60	142.5 - 170 mm	221.1 - 248.6 mm	3-1/2 in		4.13 kg	A, CH, D	2 Pcs	2330983
MP-PS L2-2 110-118 4" OC	110 - 118 mm	183 mm	M12x60	147.5 - 175 mm	229.7 - 257.2 mm	4 in	100 mm	4.22 kg	A, CH, D	2 Pcs	2330984
MP-PS L2-2 125-133 OC	125 - 133 mm	195 mm	M12x60	155 - 182.5 mm	242.2 - 269.7 mm			4.37 kg	A, CH, D	2 Pcs	2330985
MP-PS L2-2 136-144 5" OC	136 - 144 mm	205 mm	M12x60	160.5 - 188 mm	251.5 - 279 mm	5 in	125 mm	4.48 kg	A, CH, D	2 Pcs	2330986
MP-PS L2-2 152-162 OC	152 - 162 mm	226 mm	M12x70	169.5 - 197 mm	268.2 - 295.7 mm			4.66 kg	A, CH, D	2 Pcs	2330987
MP-PS L2-2 163-173 6" OC	163 - 173 mm	235 mm	M12x70	175 - 202.5 mm	277.5 - 305 mm	6 in	150 mm	4.77 kg	A, CH, D	2 Pcs	2330988
MP-PS L2-2 192-202 7" OC	192 - 202 mm	257 mm	M12x70	189.5 - 217 mm	301.6 - 329.1 mm	7 in		6.11 kg	A, CH, D	2 Pcs	2330989
MP-PS L2-2 217-227 8" OC	217 - 227 mm	277 mm	M12x70	202 - 229.5 mm	322.4 - 349.9 mm	8 in	200 mm	6.48 kg	A, CH, D	2 Pcs	2330990
MP-PS L2-2 244-254 OC	244 - 254 mm	316 mm	M16x80	215.5 - 243 mm	352.8 - 380.3 mm			7.35 kg	A, CH, D	2 Pcs	2330991
MP-PS L2-2 267-277 10" OC	267 - 277 mm	335 mm	M16x80	227 - 254.5 mm	373 - 400.5 mm	10 in	250 mm	7.68 kg	A, CH, D	2 Pcs	2330992
MP-PS L2-2 318-328 12" OC	318 - 328 mm	375 mm	M16x80	252.5 - 280 mm	424 - 451.5 mm	12 in	300 mm	8.43 kg	A, CH, D	2 Pcs	2330993

Clamping range - D	Width - b	Torque	Pipe clamp thickness - s
21 - 51 mm	30 mm	40 Nm	5 mm
52 - 173 mm	40 mm	50 Nm	5 mm
192 - 227 mm	50 mm	50 Nm	6 mm
244 - 328 mm	50 mm	60 Nm	6 mm

Recommended loads for pipe shoe MP-PS L2-2 according to EN13480-3 and EN1993-1-1

Order Designation	EN13480-3				EN1993-1-1				Item number
	+/-Fx, Rd [kN]	+/-Fy, Rd [kN]	+Fz, Rd [kN]	-Fz, Rd [kN]	+/-Fx, Rd [kN]	+/-Fy, Rd [kN]	+Fz, Rd [kN]	-Fz, Rd [kN]	
MP-PS L2-2 21-26 1/2" OC	11.29	3.85	17.57	13.44	16.25	3.91	19.76	15.20	2330973
MP-PS L2-2 26-31 3/4" OC	11.42	3.75	17.57	13.44	16.44	3.81	19.76	15.20	2330974
MP-PS L2-2 32-37 1" OC	11.58	3.63	17.57	13.44	16.67	3.69	19.76	15.20	2330975
MP-PS L2-2 38-44 1-1/4" OC	11.79	3.49	17.57	13.44	16.98	3.55	19.76	15.20	2330976
MP-PS L2-2 45-51 1-1/2" OC	11.94	3.40	17.57	13.44	17.20	3.45	19.76	15.20	2330977
MP-PS L2-2 52-58 OC	12.08	3.31	17.57	13.44	17.39	3.37	19.76	15.20	2330978
MP-PS L2-2 59-65 2" OC	12.23	3.23	17.57	13.44	17.61	3.28	19.76	15.20	2330979
MP-PS L2-2 68-74 OC	12.47	3.10	17.57	13.44	17.95	3.15	19.76	15.20	2330980
MP-PS L2-2 75-81 2-1/2" OC	12.54	3.06	17.57	13.44	18.06	3.11	19.76	15.20	2330981
MP-PS L2-2 88-94 3" OC	12.93	2.88	17.57	13.44	18.61	2.93	19.76	15.20	2330982
MP-PS L2-2 100-108 3-1/2" OC	13.23	2.75	17.57	13.44	19.06	2.80	19.76	15.20	2330983
MP-PS L2-2 110-118 4" OC	13.54	2.63	17.57	13.44	19.50	2.68	19.76	15.20	2330984
MP-PS L2-2 125-133 OC	13.80	2.54	17.57	13.44	19.88	2.58	19.76	15.20	2330985
MP-PS L2-2 136-144 5" OC	14.20	2.41	17.57	13.44	20.45	2.45	19.76	15.20	2330986
MP-PS L2-2 152-162 OC	14.63	2.29	17.57	13.44	21.06	2.32	19.76	15.20	2330987
MP-PS L2-2 163-173 6" OC	14.85	2.23	17.57	13.44	21.39	2.26	19.76	15.20	2330988
MP-PS L2-2 192-202 7" OC	15.47	2.07	17.57	13.44	22.28	2.11	19.76	15.20	2330989
MP-PS L2-2 217-227 8" OC	16.09	1.94	17.57	13.44	23.16	1.97	19.76	15.20	2330990
MP-PS L2-2 244-254 OC	16.84	1.80	17.57	13.44	24.24	1.83	19.76	15.20	2330991
MP-PS L2-2 267-277 10" OC	17.40	1.71	17.57	13.44	25.05	1.74	19.76	15.20	2330992
MP-PS L2-2 318-328 12" OC	18.58	1.54	17.57	13.44	26.48	1.56	19.76	15.20	2330993