

# Technical drawing package for Firestop Coated Board CFS-CT B



## • Applications for CABLE TRAYS

- 100 mm flexible wall (max opening size 1200 x 2000)
- 100 mm rigid wall (max opening size 1200 x 2000)
- 100 mm rigid wall (max opening size 1200 x 1200)
- 150 mm rigid floor (max opening size 1200 x 2000)
- 150 mm rigid floor (max opening size 1200 x 1200)

CAB-FW-TR-0110/113/116

CAB-RW-TR-0122/125

CAB-RW-TR-0128

CAB-RF-TR-0134/137

CAB-RF-TR-0140

\*) All the drawings are also available (on demand) in DWG for easy copy on your specs.



CONTENTS

Cable trays in a flexible wall

ID

CAB-FW-TR-0110

FIRESTOP COATED BOARD

0110\_01

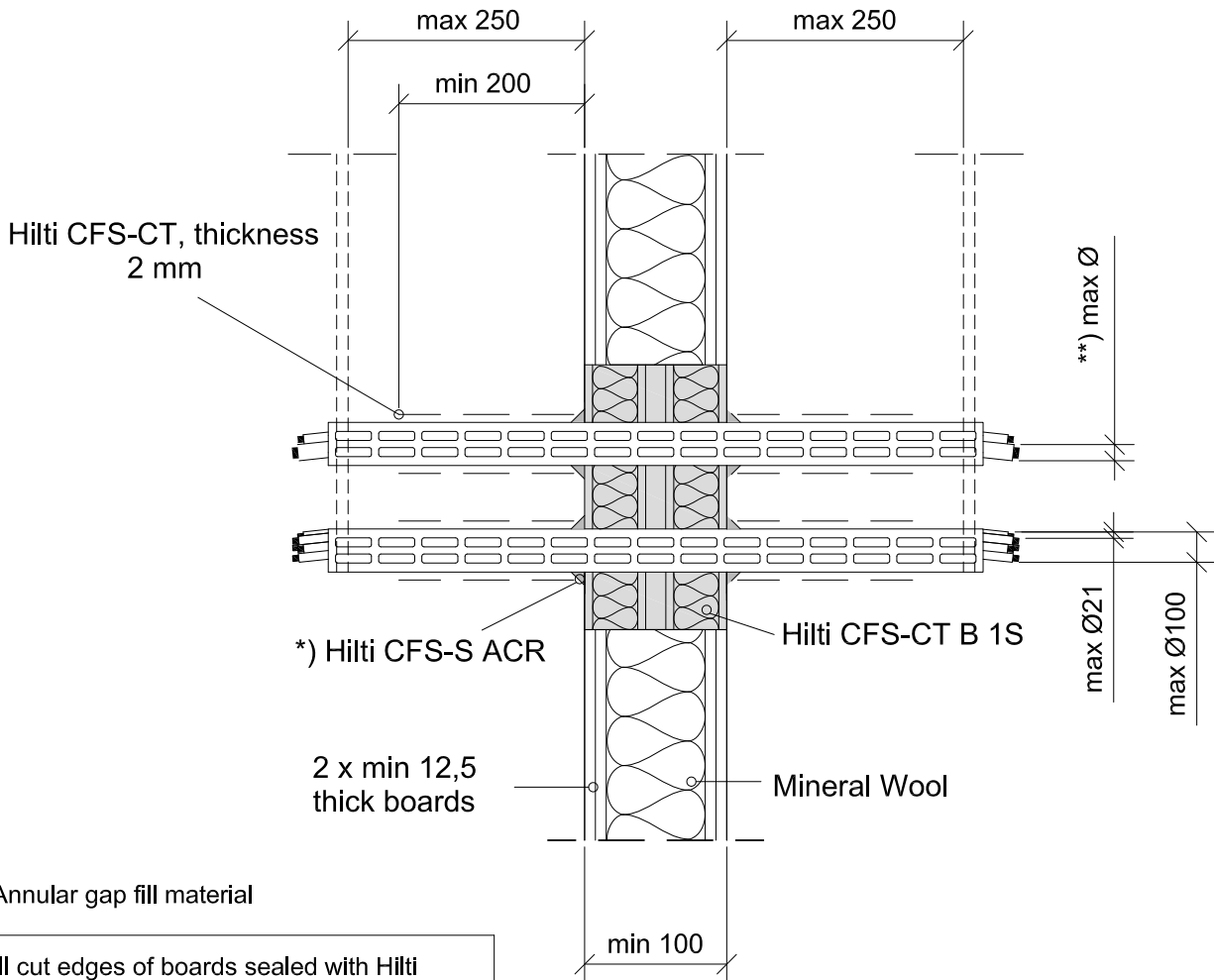
REV

00

No scale

All units are in millimetres

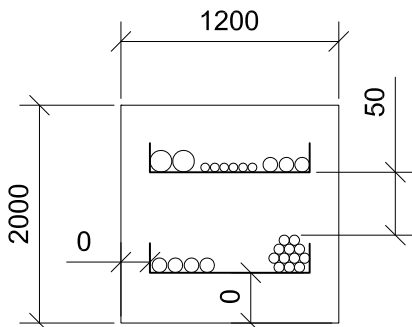
Fire Rating EI 60



\*) Annular gap fill material

All cut edges of boards sealed with Hilti Firestop Acrylic Sealant CFS-S ACR and also the remaining gaps around cables/cable supports and other services.

Max. opening (1200x2000) and minimum distance



- Approval ETA-11/0429 of 24/11/2014
- Reaction to fire acc EN 13501-1
- Fire resistance test acc 1366-3
- Installation according to Hilti instructions

\*\*) Ø cables

Ø max single sheathed cable	80
Ø max single non- sheathed cable	24
Ø max cable bundle	100
Ø max for a cable in a cable bundle	21



CONTENTS

Cable trays in a flexible wall

ID

CAB-FW-TR-0113

FIRESTOP COATED BOARD

0113\_01

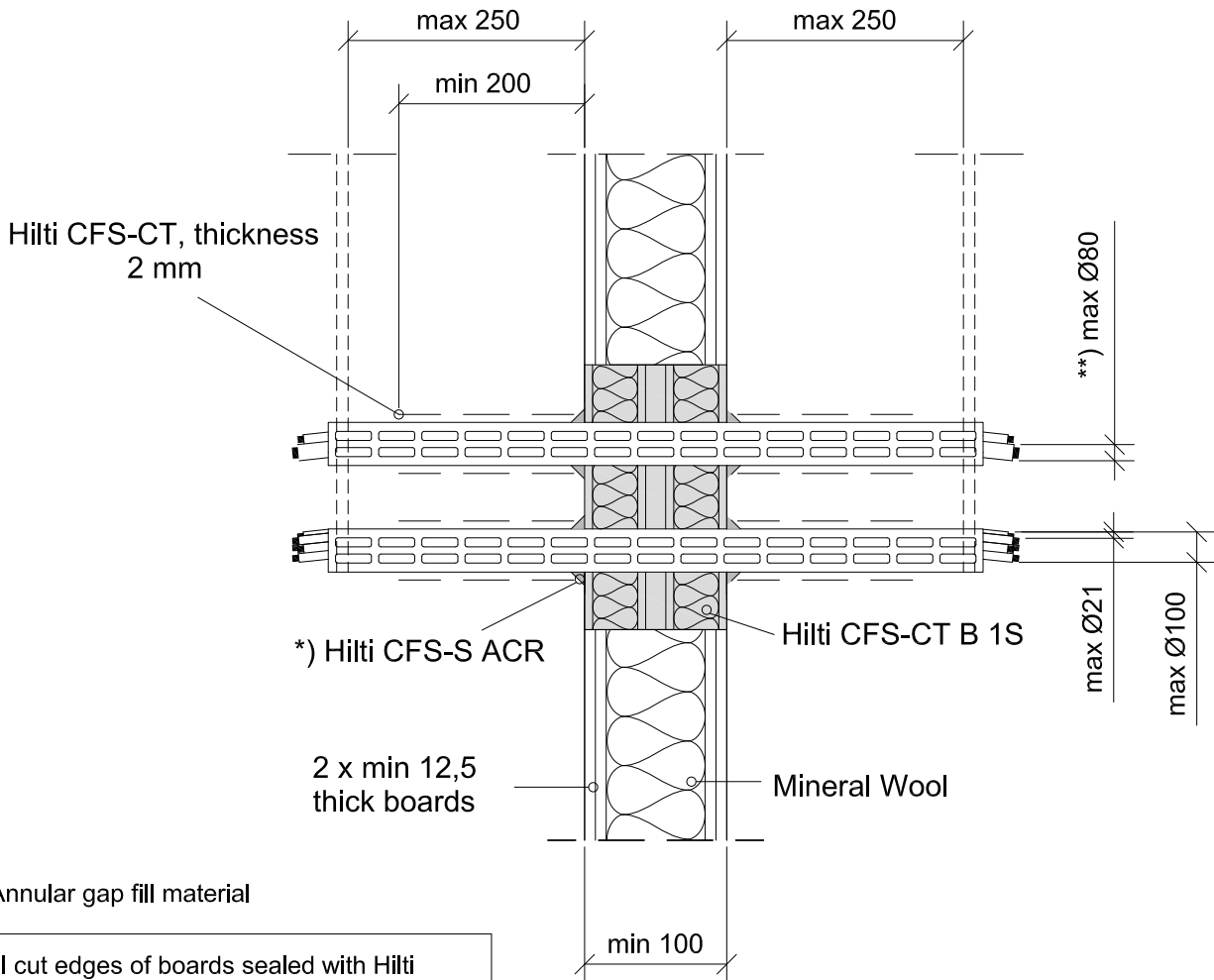
REV

00

No scale

All units are in millimetres

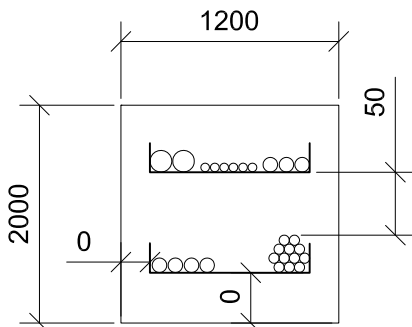
Fire Rating EI 90



\*) Annular gap fill material

All cut edges of boards sealed with Hilti Firestop Acrylic Sealant CFS-S ACR and also the remaining gaps around cables/cable supports and other services.

Max. opening (1200x2000) and minimum distance



- Approval ETA-11/0429 of 24/11/2014
- Reaction to fire acc EN 13501-1
- Fire resistance test acc 1366-3
- Installation according to Hilti instructions

\*\*) Ø cables

Ø max single sheathed cable	80
Ø max single non- sheathed cable	---
Ø max cable bundle	100
Ø max for a cable in a cable bundle	21



CONTENTS

Cable trays in a flexible wall

ID

CAB-FW-TR-0116

FIRESTOP COATED BOARD

0116\_01

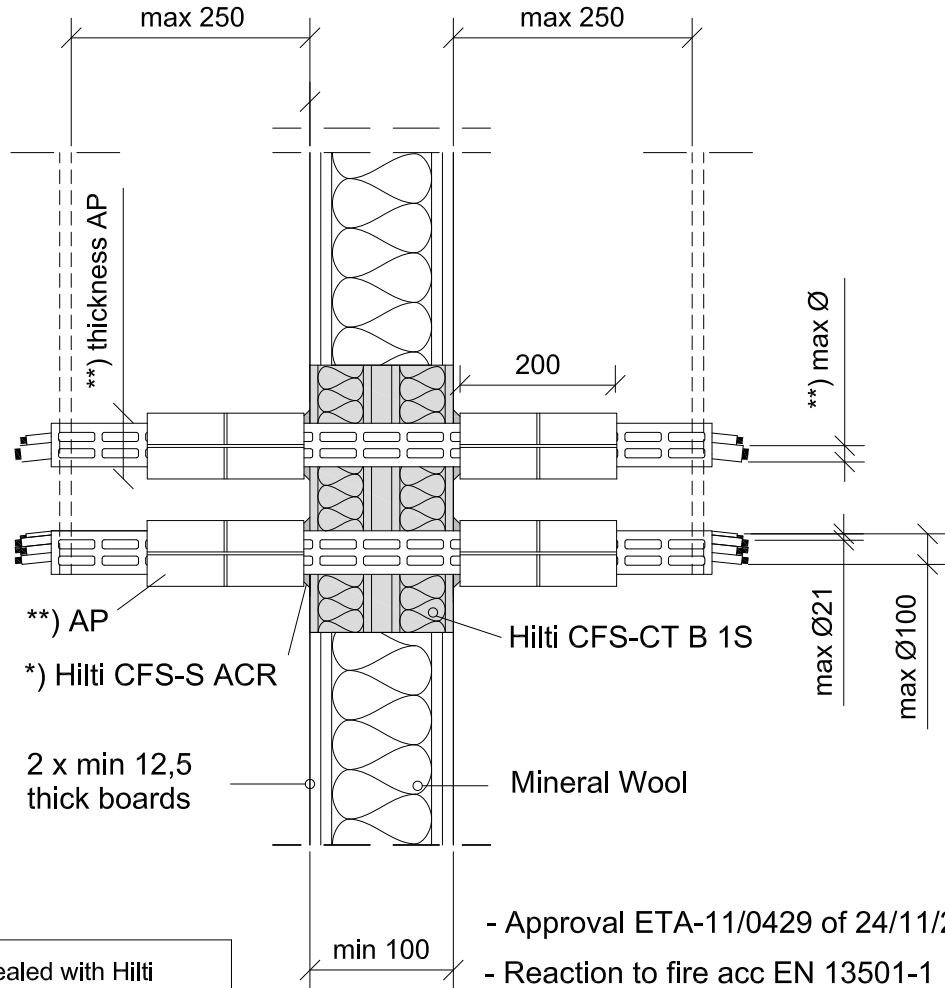
REV

00

No scale

All units are in millimetres

Fire Rating EI 120

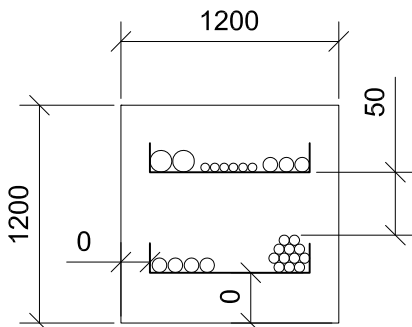


\*) Annular gap fill material

All cut edges of boards sealed with Hilti Firestop Acrylic Sealant CFS-S ACR and also the remaining gaps around cables/cable supports and other services.

- Approval ETA-11/0429 of 24/11/2014
- Reaction to fire acc EN 13501-1
- Fire resistance test acc 1366-3
- Installation according to Hilti instructions

Max. opening (1200x1200) and minimum distance



**) Ø cables and additional protection	AP4a)	AP5a)
Ø max single sheathed cable	21	80
Ø max single non- sheathed cable	24	24
Ø max cable bundle	100	100
Ø max for a cable in a cable bundle	21	21

a) Mineral wool mat, al-facing outside, wrapped around the cables/cable supports on both sides of seal and fixed with wire, length along the cables 200 mm on each side of the seal. Thickness 20 (AP4) or 30 (AP5) mm



CONTENTS

Cable trays in a rigid wall

ID

CAB-RW-TR-0122

FIRESTOP COATED BOARD

0122\_01

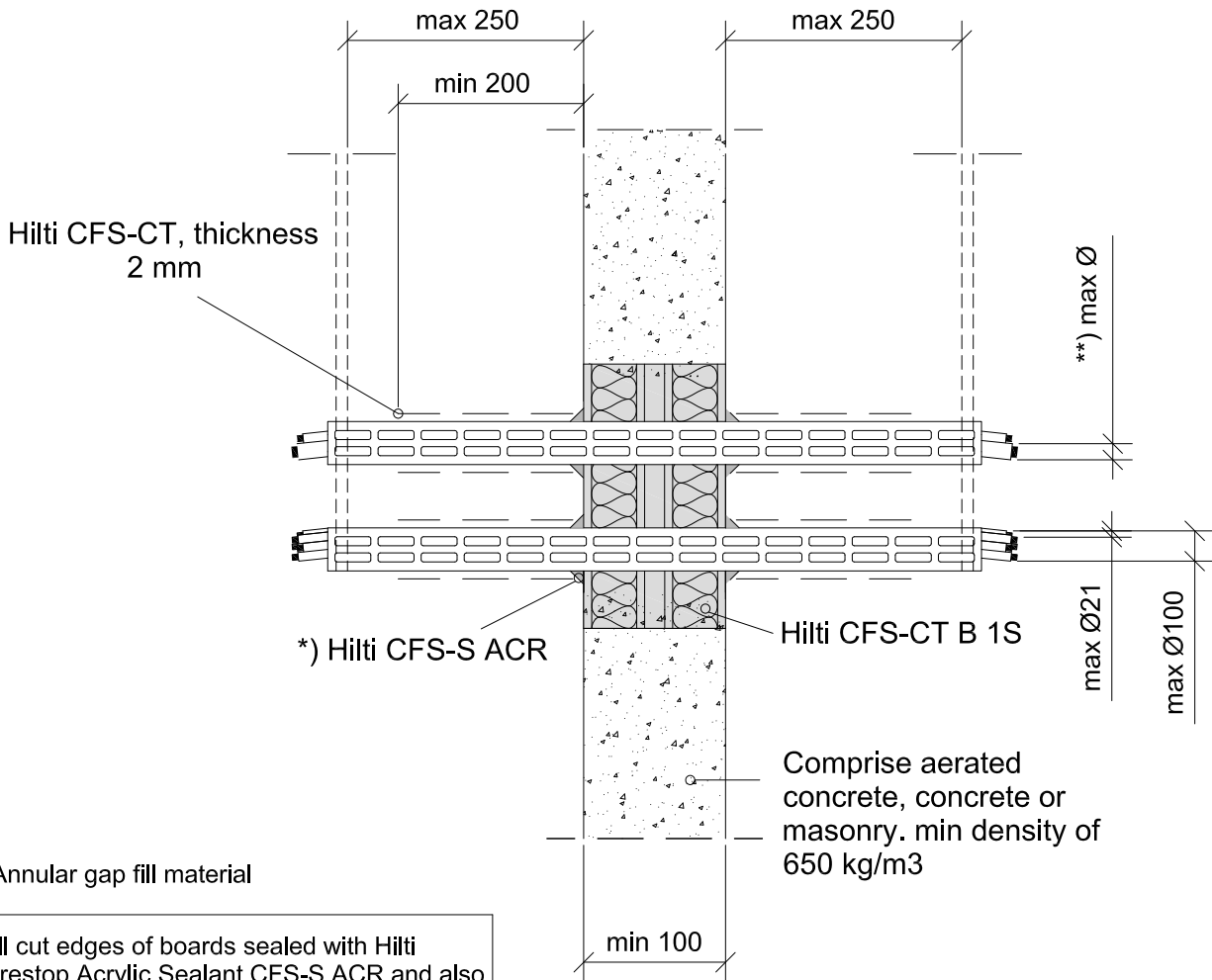
REV

00

No scale

All units are in millimetres

Fire Rating EI 60

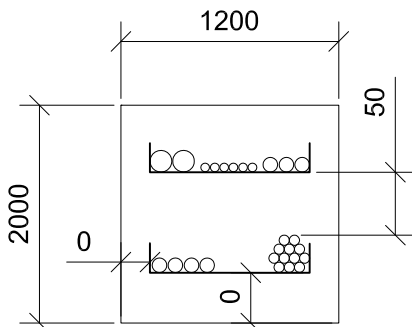


\*) Annular gap fill material

All cut edges of boards sealed with Hilti Firestop Acrylic Sealant CFS-S ACR and also the remaining gaps around cables/cable supports and other services.

- Approval ETA-11/0429 of 24/11/2014
- Reaction to fire acc EN 13501-1
- Fire resistance test acc 1366-3
- Installation according to Hilti instructions

Max. opening (1200x2000) and minimum distance



\*\*) Ø cables

Ø max single sheated cable	80
Ø max single non- sheated cable	24
Ø max cable bundle	100
Ø max for a cable in a cable bundle	21



CONTENTS

Cable trays in a rigid wall

ID

CAB-RW-TR-0125

FIRESTOP COATED BOARD

0125\_01

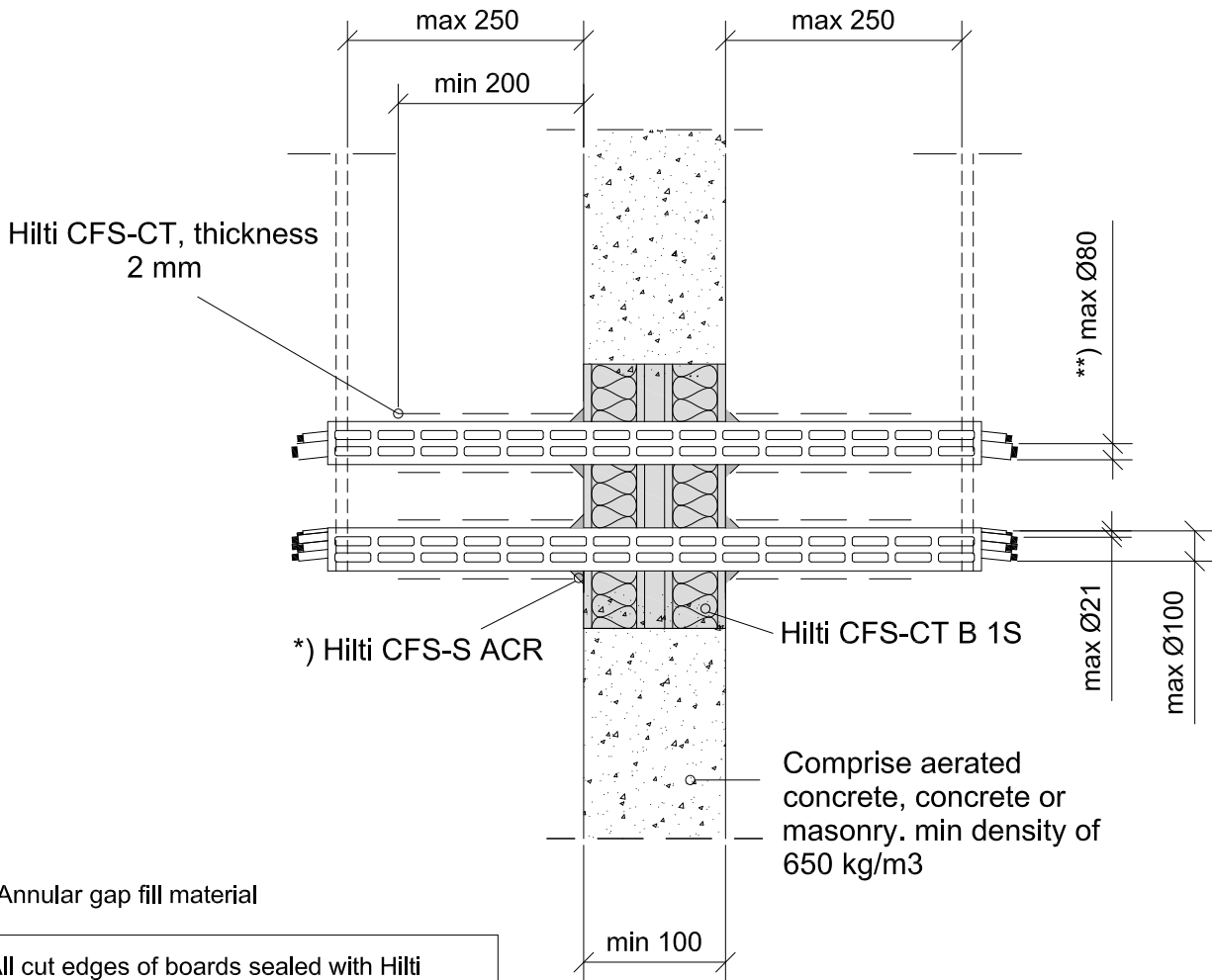
REV

00

No scale

All units are in millimetres

Fire Rating EI 90

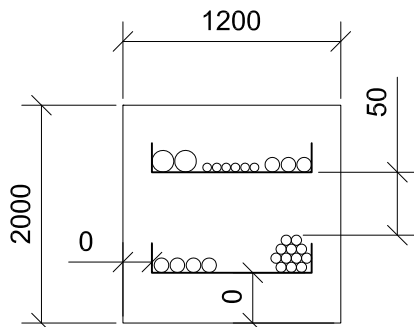


\*) Annular gap fill material

All cut edges of boards sealed with Hilti Firestop Acrylic Sealant CFS-S ACR and also the remaining gaps around cables/cable supports and other services.

- Approval ETA-11/0429 of 24/11/2014
- Reaction to fire acc EN 13501-1
- Fire resistance test acc 1366-3
- Installation according to Hilti instructions

Max. opening (1200x2000) and minimum distance



\*\*) Ø cables

Ø max single sheathed cable	80
Ø max single non- sheathed cable	---
Ø max cable bundle	100
Ø max for a cable in a cable bundle	21



CONTENTS

Cable trays in a rigid wall

ID

CAB-RW-TR-0128

FIRESTOP COATED BOARD

0128\_01

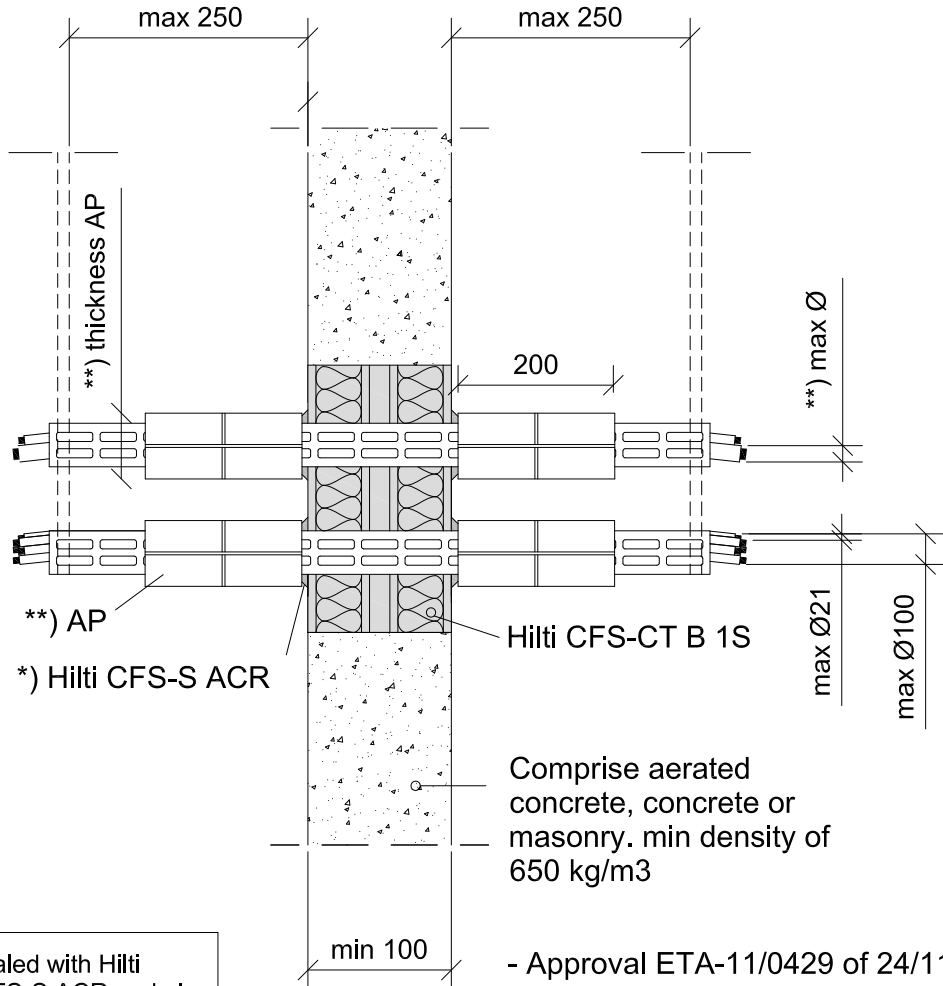
REV

00

No scale

All units are in millimetres

Fire Rating EI 120

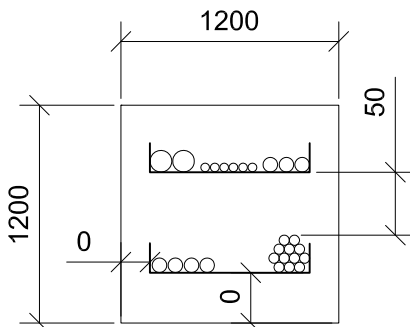


\*) Annular gap fill material

All cut edges of boards sealed with Hilti Firestop Acrylic Sealant CFS-S ACR and also the remaining gaps around cables/cable supports and other services.

- Approval ETA-11/0429 of 24/11/2014
- Reaction to fire acc EN 13501-1
- Fire resistance test acc 1366-3
- Installation according to Hilti instructions

Max. opening (1200x1200) and minimum distance



*) Ø cables and additional protection	AP4a)	AP5a)
Ø max single sheathed cable	21	80
Ø max single non- sheathed cable	24	24
Ø max cable bundle	100	100
Ø max for a cable in a cable bundle	21	21

a) Mineral wool mat, al-facing outside, wrapped around the cables/cable supports on both sides of seal and fixed with wire, length along the cables 200 mm on each side of the seal. Thickness 20 (AP4) or 30 (AP5) mm



CONTENTS

Cable trays in a rigid floor

ID

CAB-RF-TR-0134

FIRESTOP COATED BOARD

0134\_01

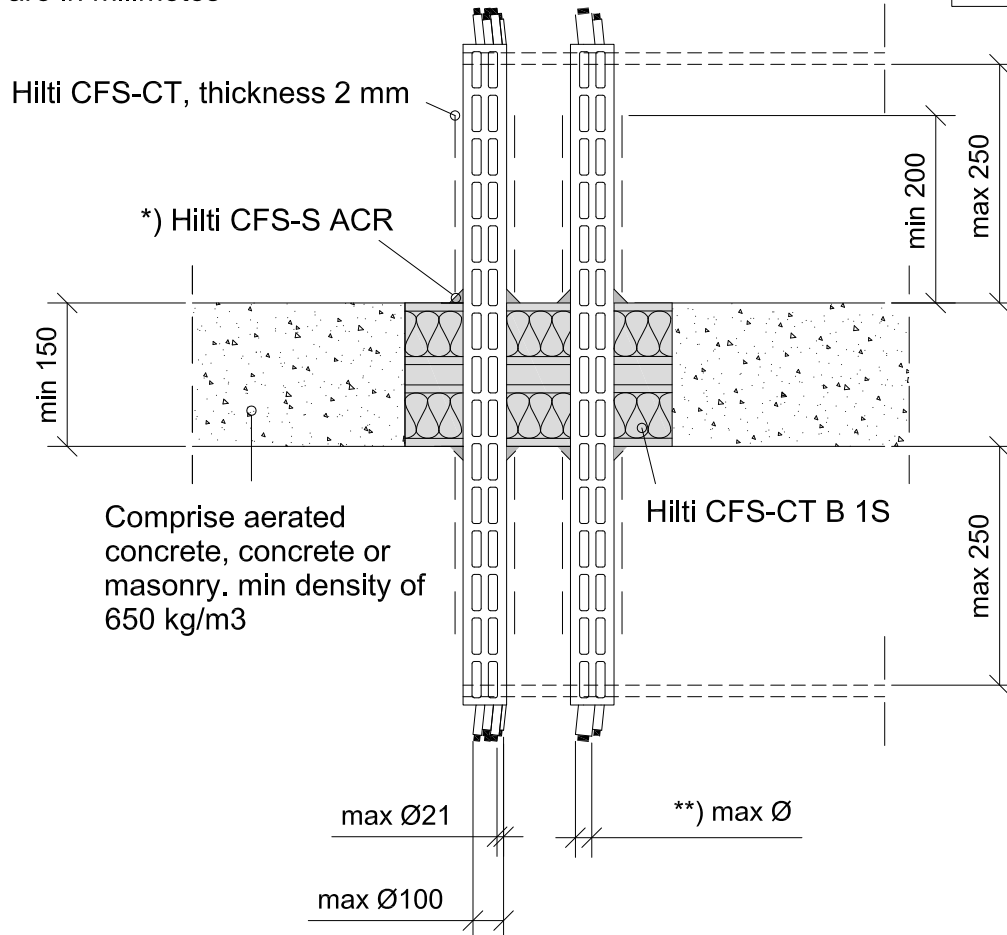
REV

00

No scale

All units are in millimetres

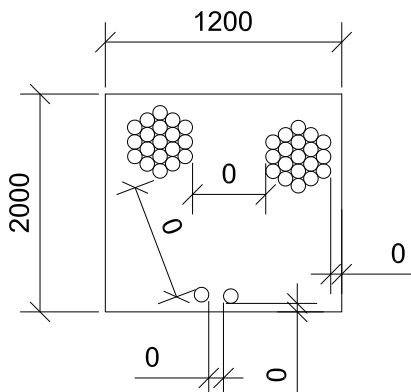
Fire Rating EI 60



\*) Annular gap fill material

All cut edges of boards sealed with Hilti Firestop Acrylic Sealant CFS-S ACR and also the remaining gaps around cables/cable supports and other services.

Max. opening (1200x2000) and minimum distance



- Approval ETA-11/0429 of 24/11/2014
- Reaction to fire acc EN 13501-1
- Fire resistance test acc 1366-3
- Installation according to Hilti instructions

\*\*) Ø cables (with or without cable support)

Ø max single sheathed cable	80
Ø max single non- sheathed cable	24
Ø max cable bundle	100
Ø max for a cable in a cable bundle	21





CONTENTS

Cable trays in a rigid floor

ID

CAB-RF-TR-0137

FIRESTOP COATED BOARD

0137\_01

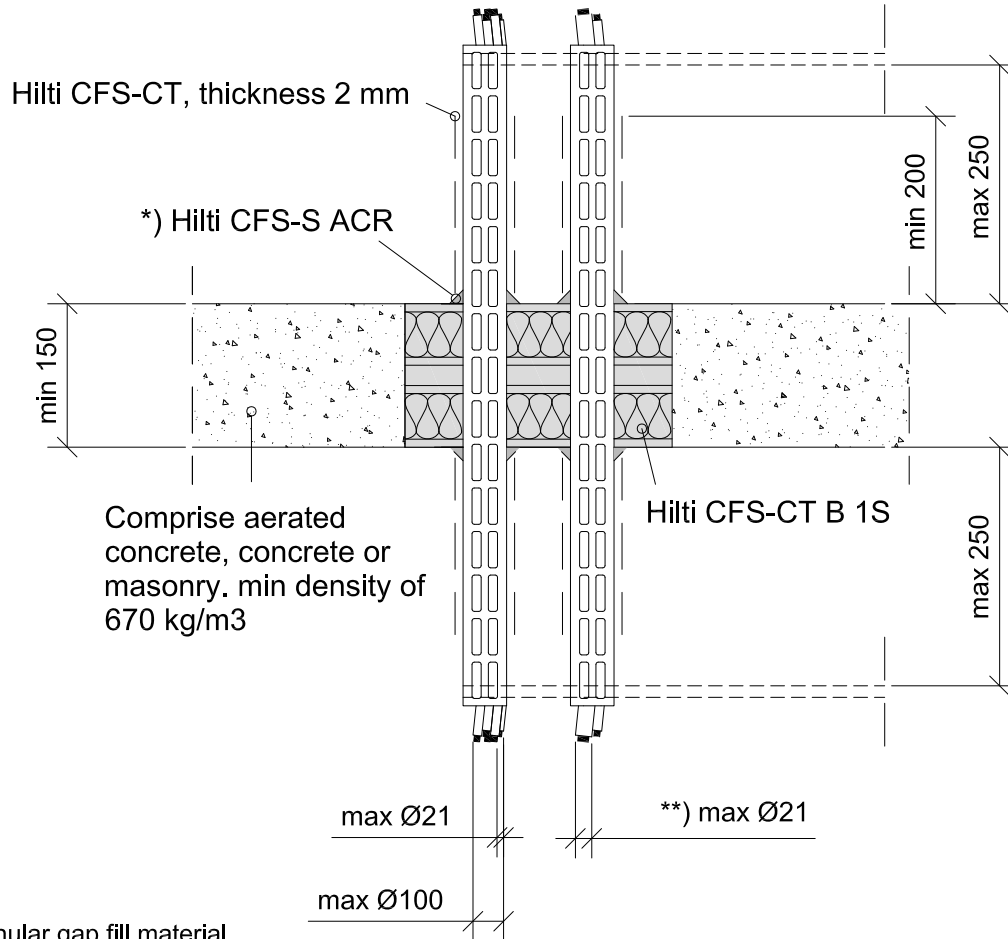
REV

00

No scale

All units are in millimetres

Fire Rating EI 90

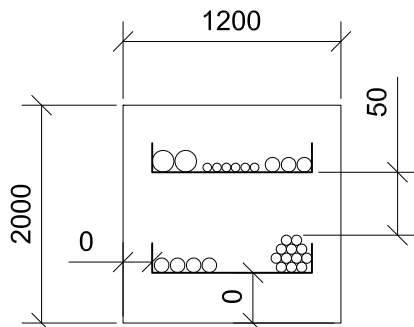


\*) Annular gap fill material

All cut edges of boards sealed with Hilti Firestop Acrylic Sealant CFS-S ACR and also the remaining gaps around cables/cable supports and other services.

- Approval ETA-11/0429 of 24/11/2014
- Reaction to fire acc EN 13501-1
- Fire resistance test acc 1366-3
- Installation according to Hilti instructions

Max. opening (1200x2000) and minimum distance



\*\*) Ø cables (with or without cable support (EI120))

Ø max single sheated cable	21
Ø max single non- sheated cable	---
Ø max cable bundle	100
Ø max for a cable in a cable bundle	21



CONTENTS

Cable trays in a rigid floor

ID

CAB-RF-TR-0140

FIRESTOP COATED BOARD

0140\_01

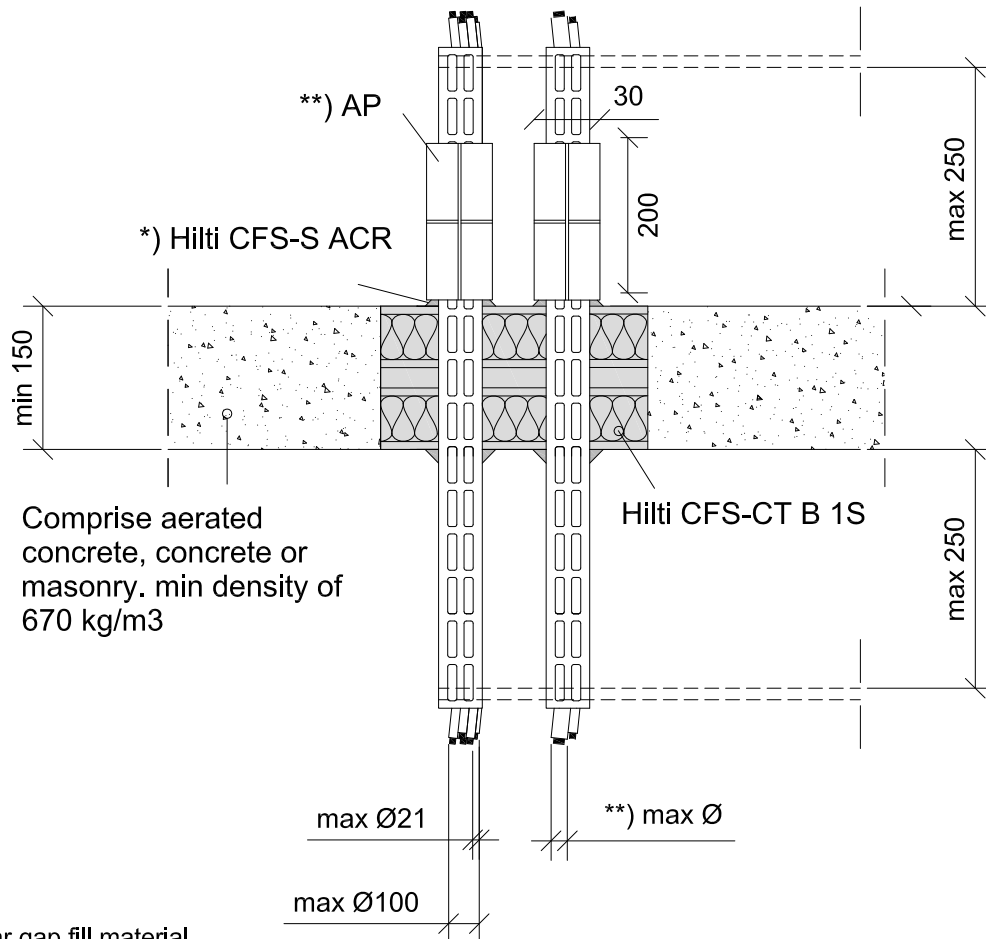
REV

00

No scale

All units are in millimetres

Fire Rating EI 120

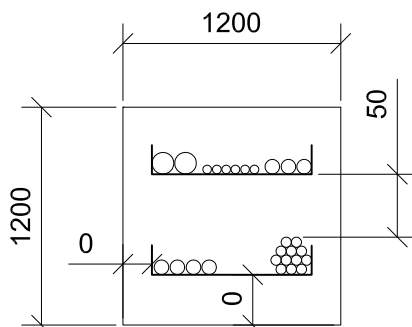


\*) Annular gap fill material

All cut edges of boards sealed with Hilti Firestop Acrylic Sealant CFS-S ACR and also the remaining gaps around cables/cable supports and other services.

- Approval ETA-11/0429 of 24/11/2014
- Reaction to fire acc EN 13501-1
- Fire resistance test acc 1366-3
- Installation according to Hilti instructions

Max. opening (1200x1200) and minimum distance



**) Ø cables and additional protection	AP2	AP5
Ø max single sheathed cable	21	80
Ø max single non- sheathed cable	---	---
Ø max cable bundle	100	100
Ø max for a cable in a cable bundle	21	21

AP5 - Mineral wool mat, al-facing outside, wrapped around the cables/cable supports on both sides of seal and fixed with wire, length along the cables 200 mm on each side of the seal. (With or without cable support)

AP2 - cables/small conduits coated with Hilti firestop coating CFS-CT over a length of 200 mm on both sides of the seal, thickness 1 mm. (Without cable support)