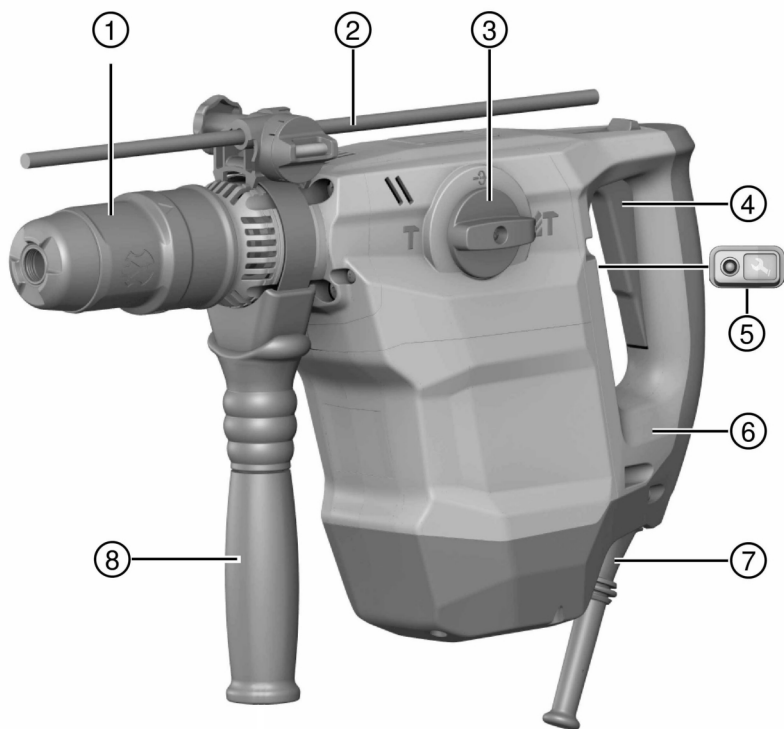


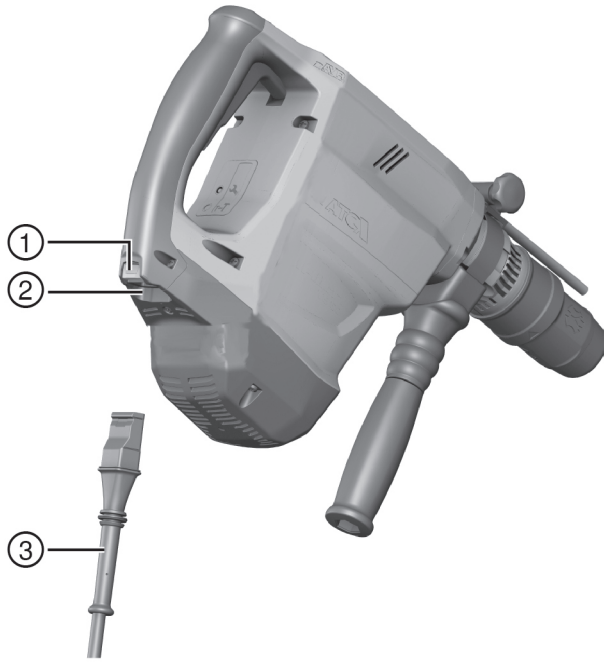


TE 50-AVR

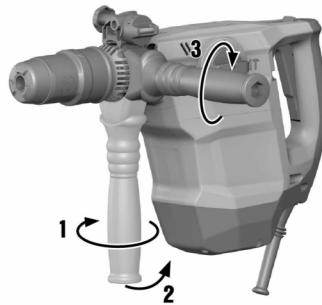
English	1
Italiano	10
Česky	20
Slovenčina	29
Magyar	39
Slovenščina	49
Hrvatski	59
Srpski	68
Русский	77
Українська	88
Қазақ	99
Български	109
Română	119
Ελληνικά	129



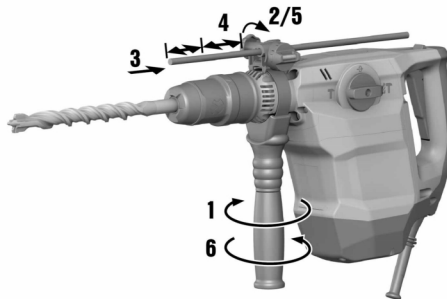
2



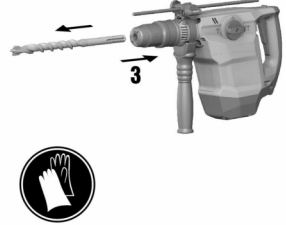
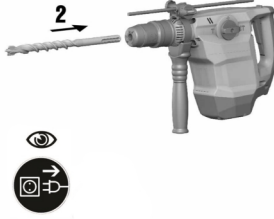
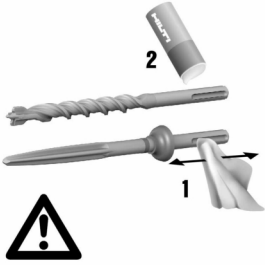
3



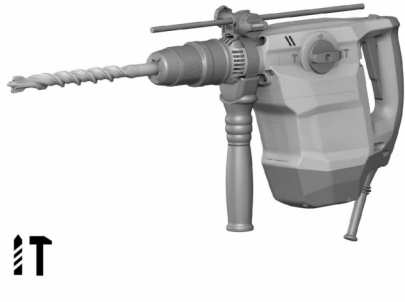
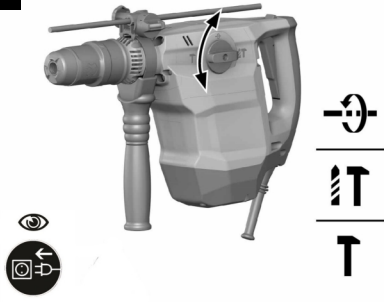
4



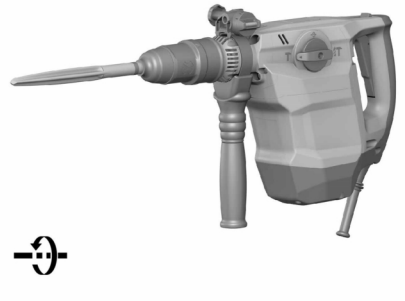
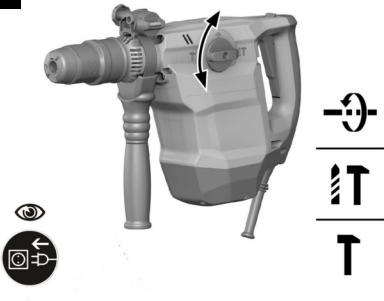
5



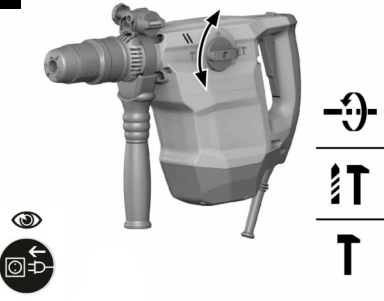
6

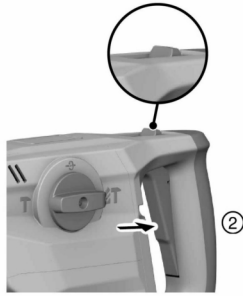


7



8





TE 50-AVR

en	Original operating instructions	1
it	Istruzioni originali	10
cs	Originální návod k obsluze	20
sk	Originálny návod na obsluhu	29
hu	Eredeti használati utasítás	39
sl	Originalna navodila za uporabo	49
hr	Originalne upute za uporabu	59
sr	Originalno uputstvo za upotrebu	68
ru	Перевод оригинального руководства по эксплуатации	77
uk	Оригінальна інструкція з експлуатації	88
kk	Түпнұсқа пайдалану бойынша нұсқаулық	99
bg	Оригинално Ръководство за експлоатация	109
ro	Manual de utilizare original	119
el	Μετάφραση οδηγιών χρήσης από το πρωτότυπο	129

Original operating instructions

1 Information about the operating instructions

1.1 About these operating instructions

- Read these operating instructions before the product is used or operated for the first time. This is a prerequisite for safe, trouble-free handling and use of the product.
- Observe the safety instructions and warnings in these operating instructions and on the product.
- Always keep the operating instructions with the product and make sure that the product is accompanied by these operating instructions only, when the product is given to other persons.

1.2 Explanation of symbols

1.2.1 Warnings

Warnings alert persons to hazards that occur when handling or using the product. The following signal words are used:

DANGER

DANGER !

- ▶ Draws attention to imminent danger that will lead to serious personal injury or fatality.

WARNING

WARNING !

- ▶ Draws attention to a potential threat of danger that can lead to serious injury or fatality.





CAUTION

CAUTION !

- ▶ Draws attention to a potentially dangerous situation that could lead to personal injury or damage to the equipment or other property.




1.2.2 Symbols in the operating instructions

The following symbols are used in these operating instructions:

	Comply with the operating instructions
	Instructions for use and other useful information
	Dealing with recyclable materials
	Do not dispose of electric equipment and batteries as household waste

1.2.3 Symbols in illustrations

The following symbols are used in illustrations:

	These numbers refer to the illustrations at the beginning of these operating instructions.
3	The numbers in illustrations refer to important work steps or to components important for the work steps. In the text, the corresponding numbers draw attention to these work steps or components, e.g. (3) .
	Item reference numbers are used in the overview illustration and refer to the numbers used in the key in the product overview section.
	This symbol is intended to draw your special attention to certain points for handling the product.



1.3 Product-dependent symbols

1.3.1 Symbols on the product

The following symbols are used on the product:

	Drilling with hammer action (hammer drilling)
	Chiseling
	Chisel positioning
	Protection class II (double-insulated)
/min	Revolutions per minute
n_0	Rated speed under no load
\emptyset	Diameter
	Wireless data transfer

1.4 Product information

products are designed for professional users and only trained, authorized personnel are permitted to operate, service and maintain the products. This personnel must be specifically informed about the possible hazards. The product and its ancillary equipment can present hazards if used incorrectly by untrained personnel or if used not in accordance with the intended use.

The type designation and serial number are printed on the rating plate.

- ▶ Write down the serial number in the table below. You will be required to state the product details when contacting Hilti Service or your local Hilti organization to inquire about the product.

Product information

Combiammer	TE 50-AVR
Generation	03
Serial no.	

1.5 Declaration of conformity

We declare, on our sole responsibility, that the product described here complies with the applicable directives and standards. A copy of the declaration of conformity can be found at the end of this documentation.

The technical documentation is filed here:

Hilti Entwicklungsgesellschaft mbH | Tool Certification | Hiltistrasse 6 | 86916 Kaufering, Germany

2 Safety

2.1 General power tool safety warnings

⚠ WARNING Read all safety warnings, instructions, illustrations and specifications provided with this power tool. Failure to follow all instructions listed below may result in electric shock, fire and/or serious injury. **Save all warnings and instructions for future reference.**

The term "power tool" in the warnings refers to your mains-operated (corded) power tool or battery-operated (cordless) power tool.

Work area safety

- ▶ **Keep work area clean and well lit.** Cluttered or dark areas invite accidents.
- ▶ **Do not operate power tools in explosive atmospheres, such as in the presence of flammable liquids, gases or dust.** Power tools create sparks which may ignite the dust or fumes.
- ▶ **Keep children and bystanders away while operating a power tool.** Distractions can cause you to lose control.



Electrical safety

- ▶ **Power tool plugs must match the outlet. Never modify the plug in any way. Do not use any adapter plugs with earthed (grounded) power tools.** Unmodified plugs and matching outlets will reduce risk of electric shock.
- ▶ **Avoid body contact with earthed or grounded surfaces, such as pipes, radiators, ranges and refrigerators.** There is an increased risk of electric shock if your body is earthed or grounded.
- ▶ **Do not expose power tools to rain or wet conditions.** Water entering a power tool will increase the risk of electric shock.
- ▶ **Do not abuse the cord. Never use the cord for carrying, pulling or unplugging the power tool. Keep cord away from heat, oil, sharp edges or moving parts.** Damaged or entangled cords increase the risk of electric shock.
- ▶ **When operating a power tool outdoors, use an extension cord suitable for outdoor use.** Use of a cord suitable for outdoor use reduces the risk of electric shock.
- ▶ **If operating a power tool in a damp location is unavoidable, use a residual current device (RCD) protected supply.** Use of an RCD reduces the risk of electric shock.

Personal safety

- ▶ **Stay alert, watch what you are doing and use common sense when operating a power tool. Do not use a power tool while you are tired or under the influence of drugs, alcohol or medication.** A moment of inattention while operating power tools may result in serious personal injury.
- ▶ **Use personal protective equipment. Always wear eye protection.** Protective equipment such as a dust mask, non-skid safety shoes, hard hat or hearing protection used for appropriate conditions will reduce personal injuries.
- ▶ **Prevent unintentional starting. Ensure the switch is in the off-position before connecting to power source and/or battery pack, picking up or carrying the tool.** Carrying power tools with your finger on the switch or energising power tools that have the switch on invites accidents.
- ▶ **Remove any adjusting key or wrench before turning the power tool on.** A wrench or a key left attached to a rotating part of the power tool may result in personal injury.
- ▶ **Do not overreach. Keep proper footing and balance at all times.** This enables better control of the power tool in unexpected situations.
- ▶ **Dress properly. Do not wear loose clothing or jewellery. Keep your hair and clothing away from moving parts.** Loose clothes, jewellery or long hair can be caught in moving parts.
- ▶ **If devices are provided for the connection of dust extraction and collection facilities, ensure these are connected and properly used.** Use of dust collection can reduce dust-related hazards.
- ▶ **Do not let familiarity gained from frequent use of tools allow you to become complacent and ignore tool safety principles.** A careless action can cause severe injury within a fraction of a second.

Power tool use and care

- ▶ **Do not force the power tool. Use the correct power tool for your application.** The correct power tool will do the job better and safer at the rate for which it was designed.
- ▶ **Do not use the power tool if the switch does not turn it on and off.** Any power tool that cannot be controlled with the switch is dangerous and must be repaired.
- ▶ **Disconnect the plug from the power source and/or remove the battery pack, if detachable, from the power tool before making any adjustments, changing accessories, or storing power tools.** Such preventive safety measures reduce the risk of starting the power tool accidentally.
- ▶ **Store idle power tools out of the reach of children and do not allow persons unfamiliar with the power tool or these instructions to operate the power tool.** Power tools are dangerous in the hands of untrained users.
- ▶ **Maintain power tools and accessories. Check for misalignment or binding of moving parts, breakage of parts and any other condition that may affect the power tool's operation. If damaged, have the power tool repaired before use.** Many accidents are caused by poorly maintained power tools.
- ▶ **Keep cutting tools sharp and clean.** Properly maintained cutting tools with sharp cutting edges are less likely to bind and are easier to control.
- ▶ **Use the power tool, accessories and tool bits etc. in accordance with these instructions, taking into account the working conditions and the work to be performed.** Use of the power tool for operations different from those intended could result in a hazardous situation.
- ▶ **Keep handles and grasping surfaces dry, clean and free from oil and grease.** Slippery handles and grasping surfaces do not allow for safe handling and control of the tool in unexpected situations.



Service

- ▶ **Have your power tool serviced by a qualified repair person using only identical replacement parts.** This will ensure that the safety of the power tool is maintained.

2.2 Hammer safety warnings**Safety instructions for all operations**

- ▶ **Wear ear protectors.** Exposure to noise can cause hearing loss.
- ▶ **Use auxiliary handle(s), if supplied with the tool.** Loss of control can cause personal injury.
- ▶ **Hold the power tool by insulated gripping surfaces, when performing an operation where the cutting accessory may contact hidden wiring or its own cord.** Cutting accessory contacting a "live" wire may make exposed metal parts of the power tool "live" and could give the operator an electric shock.

Safety instructions when using long drill bits with rotary hammers

- ▶ **Always start drilling at low speed and with the bit tip in contact with the workpiece.** At higher speeds, the bit is likely to bend if allowed to rotate freely without contacting the workpiece, resulting in personal injury.
- ▶ **Apply pressure only in direct line with the bit and do not apply excessive pressure.** Bits can bend causing breakage or loss of control, resulting in personal injury.

2.3 Additional safety instructions**Personal safety**

- ▶ Use the product only when it is in technically faultless condition.
- ▶ Never tamper with or modify the power tool in any way.
- ▶ Apply appropriate safety measures at the opposite side of the workpiece in work that involves breaking through. Parts breaking away could fall out and / or fall down causing injury to other persons.
- ▶ Always hold the power tool with both hands on the grips provided. Keep the grips clean and dry.
- ▶ Always grip the side handle at its outermost end. When drilling and screwdriving, the grip of the power tool may be deflected laterally (the power tool tends to pivot about its own axis).
- ▶ Avoid touching rotating parts – risk of injury!
- ▶ Wear suitable protective glasses, a hard hat, ear protection, protective gloves and light respiratory protection while using the power tool.
- ▶ Wear protective gloves also when changing the accessory tool. Touching the accessory tool presents a risk of injury (cuts or burns).
- ▶ Wear eye protection. Flying fragments present a risk of injury to the body and eyes.
- ▶ Before beginning the work, check the hazard classification of the dust that will be produced. Use an industrial vacuum cleaner with an officially approved protection classification in compliance with locally applicable dust protection regulations.
- ▶ Use a dust removal system and suitable vacuum cleaner whenever possible. Dust from materials, such as paint containing lead, some wood species, concrete/masonry/stone containing silica, and minerals as well as metal, may be harmful.
- ▶ Make sure that the workplace is well ventilated and, where necessary, wear a respirator appropriate for the type of dust generated. Contact with or inhalation of the dust may cause allergic reactions and/or respiratory or other diseases to the operator or bystanders. Certain kinds of dust are classified as carcinogenic such as oak and beech dust, especially in conjunction with additives for wood conditioning (chromate, wood preservative). Material containing asbestos may be handled only by specialists.
- ▶ Take breaks between working and do physical exercises to improve the blood circulation in your fingers. Exposure to vibration during long periods of work can lead to disorders of the blood vessels and nervous system in the fingers, hands and wrists.

Electrical safety

- ▶ Before beginning work, check the working area for concealed electric cables or gas and water pipes. External metal parts of the power tool may become live, presenting a risk of electric shock, if you damage an electric cable accidentally.

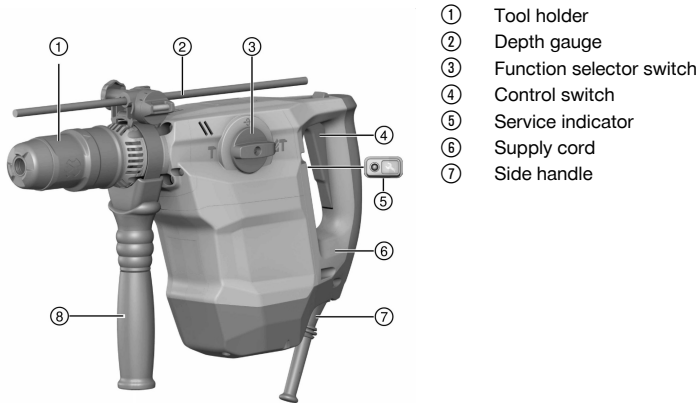
Careful handling and use of power tools

- ▶ Switch the power tool off if the accessory tool sticks and stalls. The power tool may be deflected laterally.
- ▶ Wait until the power tool stops completely before you lay it down.



3 Description

3.1 Product overview 1



- ① Tool holder
- ② Depth gauge
- ③ Function selector switch
- ④ Control switch
- ⑤ Service indicator
- ⑥ Supply cord
- ⑦ Side handle

3.2 Version with detachable supply cord 2

- ① Lockbutton
- ② Connector on electric tool
- ③ Supply cord with keyed, releasable plug connector

3.3 Intended use

The product described is an electrically-powered combihammer with pneumatic hammering mechanism. It is designed for drilling in concrete, masonry, wood and metal. The product can also be used for light to medium-duty chiseling on masonry and surface finishing work on concrete.

- ▶ Operation is permissible only when connected to a power source providing a voltage and frequency in compliance with the information given on the type identification plate.

3.4 Possible misuse

- This product is not suitable for working on hazardous materials.
- This product is not suitable for working in a damp environment.

3.5 Active Vibration Reduction

The tool is equipped with an Active Vibration Reduction (AVR) system which reduces vibration noticeably.

3.6 Quick-release chuck (accessory)

The quick-release chuck makes changing accessory tools a quick operation with no additional tools needed. It is suitable for accessory tools with cylindrical or hexagonal shank used in the "Without hammering action" mode.

3.7 Service indicator

The product has an LED service indicator.

Status	Meaning
Service indicator shows	Servicing is due.
Service indicator flashes	The product is faulty. Have the combihammer repaired by Hilti Service.



3.8 Items supplied

Combihammer, side handle, operating instructions.

Other system products approved for use with this product can be found at your local **Hilti Store** or at: www.hilti.group

4 Technical data

4.1 Combihammer

For rated voltage, rated current, frequency and/or input power, refer to the country-specific type identification plate.

If the device is powered by a generator or transformer, the generator or transformer's power output must be at least twice the rated input power shown on the rating plate of the device. The operating voltage of the transformer or generator must always be within +5 % and -15 % of the rated voltage of the device.

	TE 50-AVR
Weight in accordance with EPTA procedure 01	6.1 kg
Storage temperature	-20 °C ... 70 °C
Ambient temperature for operation	-17 °C ... 60 °C
Ø hammer drill bits	12 mm ... 32 mm
Ø drill bits for wood	6 mm ... 35 mm
Ø drill bits for metal	6 mm ... 13 mm

4.2 Noise information and vibration values in accordance with EN 62841

The sound pressure and vibration values given in these instructions were measured in accordance with a standardized test and can be used to compare one power tool with another. They can also be used for a preliminary assessment of exposure.

The data given represent the main applications of the power tool. However, if the power tool is used for different applications, with different accessory tools, or is poorly maintained, the data can vary. This can significantly increase exposure over the total working period.

An accurate estimation of exposure should also take into account the times when the power tool is switched off, or when it is running but not actually being used for a job. This can significantly reduce exposure over the total working period.

Identify additional safety measures to protect the operator from the effects of noise and/or vibration, for example: maintaining the power tool and accessory tools, keeping the hands warm, organization of work patterns.

Noise emission values

	TE 50-AVR
Sound (power) level (L_{WA})	108 dB(A)
Uncertainty for the sound power level (K_{WA})	3 dB(A)
Sound pressure level (L_{pA})	97 dB(A)
Uncertainty for the sound pressure level (K_{pA})	3 dB(A)

Total vibration

	TE 50-AVR
Drilling in metal ($a_{h,D}$)	< 5 m/s ²
Hammer drilling in concrete ($a_{h,HD}$)	8.8 m/s ²
Chiseling ($a_{h,ChEq}$)	7.1 m/s ²
Uncertainty for the given vibration value (K)	1.5 m/s ²



5 Operation

5.1 Preparations at the workplace

CAUTION

Risk of injury! Inadvertent starting of the product.

- ▶ Unplug the supply cord before making adjustments to the power tool or before changing accessories.

Observe the safety instructions and warnings in this documentation and on the product.

5.1.1 Fitting the side handle

1. Release the side handle clamping band by turning the handle grip.
2. Slide the side handle clamping band over the tool holder from the front and into the recess provided.
3. Bring the side handle into the desired position.
4. Tighten the side handle clamping band by turning the handle grip.

5.1.2 Fitting the depth gauge (optional)

1. Release the side handle clamping band by turning the handle grip.
2. Slide the depth gauge from the front into the 2 guide holes provided.
3. Tighten the side handle clamping band by turning the handle grip.
 - ▶ The depth gauge is fitted. To set the drilling depth:
4. Release the screw at the depth gauge.
5. Adjust the depth gauge to the desired drilling depth.
6. Tighten the screw at the depth gauge.

5.1.3 Fitting/removing the accessory tool

CAUTION

Risk of injury by the accessory tool! The accessory tool might be hot or have sharp edges.

- ▶ Wear protective gloves when changing the accessory tool.

1. Apply a little grease to the connection end of the accessory tool.
2. Push the accessory tool into the chuck as far as it will go (until it engages).
 - ▶ The product is ready for use.
3. Pull the chuck back as far as it will go and remove the accessory tool.



Use only the recommended grease supplied by **Hilti**. Use of unsuitable grease may cause damage to the product.

5.2 Types of work

CAUTION

Risk of damage by incorrect handling!

- ▶ Do not operate the switches for direction of rotation and/or function selection during operation.

Observe the safety instructions and warnings in this documentation and on the product.

5.2.1 Drilling with hammering action (hammer drilling)

1. Set the function selector switch to the "Hammer drilling" position
2. Press the drill bit against the work surface.
3. Press the control switch.
 - ▶ The product starts.




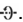

5.3 Chisel positioning

CAUTION

Risk of injury! Loss of control over the chisel direction.

- ▶ Do not operate the tool when the selector switch is set to “Chisel positioning”. Turn the function selector switch until it engages in the “Chiseling” position.


 The chisel can be adjusted to 24 different positions (in 15° increments). This ensures that flat chisels and shaped chisels can always be set to the optimum working position.

1. Set the function selector switch to the “Chisel positioning” position .
2. Rotate the chisel to the desired position.
3. Turn the function selector switch until it engages in the “Chiseling”  position.
 - ▶ The product is ready for use.

5.3.1 Chiseling

- ▶ Set the function selector switch to the “Chiseling” position .

5.3.2 Switching sustained operation on and off

 When chiseling, the on/off switch can be locked in the “on” position.

1. Push the lockbutton for continuous operation forward.
2. Press the on/off switch as far as it will go.
 - ▶ The product then runs in sustained operating mode.
3. Push the lockbutton for continuous operation back.
 - ▶ The product switches off.

6 Detachable supply cord

6.1 Connecting the detachable supply cord

CAUTION

Risk of injury! Due to leakage current as a result of dirty contacts.

- ▶ Connect the detachable electric connector to the electric tool only when it is clean and dry and when the supply cord is unplugged from the power outlet.
1. Push the keyed, detachable electric plug connector into the socket as far as it will go, until it is heard to engage.
 2. Plug the supply cord into the power outlet.

6.2 Disconnecting the detachable supply cord

1. Unplug the supply cord from the power outlet.
2. Press the release button and pull the keyed, detachable electric plug connector out of the socket.
3. Pull the supply cord connector out of the power tool.

7 Care and maintenance

WARNING

Electric shock hazard! Attempting care and maintenance with the supply cord connected to a power outlet can lead to severe injury and burns.

- ▶ Always unplug the supply cord before carrying out care and maintenance tasks.

Care

- Carefully remove stubborn dirt from the tool.
- Clean the air vents carefully with a dry brush.



- Use only a slightly damp cloth to clean the casing. Do not use cleaning agents containing silicone as they can attack the plastic parts.

Maintenance

WARNING

Danger of electric shock! Improper repairs to electrical components may lead to serious injuries including burns.

- ▶ Repairs to the electrical section of the tool or appliance may be carried out only by trained electrical specialists.
-
- Check all visible parts and controls for signs of damage at regular intervals and make sure that they all function correctly.
 - Do not operate the product if signs of damage are found or if parts malfunction. Have it repaired immediately by **Hilti Service**.
 - After cleaning and maintenance, fit all guards or protective devices and check that they function correctly.

To help ensure safe and reliable operation, use only genuine Hilti spare parts and consumables. Spare parts, consumables and accessories approved by Hilti for use with the product can be found at your local **Hilti Store** or online at: www.hilti.group.

8 Transport and storage

- Do not transport electric tools with accessory tools fitted.
- Always unplug the supply cord before storing an electric tool or appliance.
- Store tools and appliances in a dry place where they cannot be accessed by children or unauthorized persons.
- Check electric tools or appliances for damage after long periods of transport or storage.

9 Troubleshooting

If the trouble you are experiencing is not listed in this table or you are unable to remedy the problem by yourself, please contact **Hilti Service**.

9.1 Troubleshooting

Trouble or fault	Possible cause	Action to be taken
The power tool doesn't start.	Interruption in the electric supply.	▶ Plug in another electric tool or appliance and check whether it works.
	The electronic restart interlock is activated after an interruption in the electric supply.	▶ Switch the power tool off and then on again.
No hammering action.	The power tool is too cold.	▶ Bring the tip of the drill bit into contact with the working surface, switch the rotary hammer on and allow it to run. If necessary, repeat the procedure until the hammering mechanism begins to operate.
The combihammer doesn't achieve full power.	The gauge (cross section) of the extension cord conductors is inadequate.	▶ Use an extension cord with an adequate conductor cross section.
	The voltage provided by the electric supply is too low.	▶ Connect the combihammer to a different electric supply.
The drill bit doesn't rotate.	The function selector switch is not engaged or is in the T "Chiseling" or "Chisel adjustment" position.	▶ Set the function selector switch to the "Hammer drilling" position T .



Trouble or fault	Possible cause	Action to be taken
The drill bit can't be released.	The chuck is not pulled back fully.	▶ Pull the tool lock back as far as it will go and remove the accessory tool.
	The side handle is not fitted correctly.	▶ Release the side handle and refit it correctly so that the clamping band and side handle engage in the recess.
The service indicator lights after changing the carbon brushes.	The contact surfaces are not yet run in.	▶ Run in the carbon brushes by allowing the power tool to run under no load for at least 1 minute without interruption.

10 Disposal

Most of the materials from which **Hilti** tools and appliances are manufactured can be recycled. The materials must be correctly separated before they can be recycled. In many countries, your old tools, machines or appliances can be returned to **Hilti** for recycling. Ask **Hilti** Service or your Hilti representative for further information.



- ▶ Do not dispose of power tools, electronic equipment or batteries as household waste!

11 RoHS (Restriction of Hazardous Substances)

Click on the link to go to the table of hazardous substances: qr.hilti.com/r4902202.

There is a link to the RoHS table, in the form of a QR code, at the end of this document.

12 Manufacturer's warranty

- ▶ Please contact your local **Hilti** representative if you have questions about the warranty conditions.

Istruzioni originali

1 Indicazioni relative al manuale d'istruzioni

1.1 A questo manuale d'istruzioni

- Leggere attentamente il presente manuale d'istruzioni prima della messa in funzione. Ciò costituisce un presupposto fondamentale per un lavoro sicuro ed un utilizzo dell'utensile privo di disturbi.
- Rispettare le avvertenze per la sicurezza e i segnali di avvertimento riportati nel presente manuale d'istruzioni.
- Conservare sempre il manuale d'istruzioni con il prodotto e consegnare il prodotto a terze persone solo unitamente al presente manuale.

1.2 Spiegazioni del disegno

1.2.1 Avvertenze

Le avvertenze avvisano della presenza di pericoli nell'uso del prodotto. Vengono utilizzate le seguenti parole segnaletiche:



PERICOLO !

- ▶ Prestare attenzione ad un pericolo imminente, che può essere causa di lesioni gravi o mortali.



AVVERTIMENTO

AVVERTIMENTO !

- ▶ Per un pericolo potenzialmente imminente, che può essere causa di lesioni gravi o mortali per le persone.

PRUDENZA

PRUDENZA !

- ▶ Situazione potenzialmente pericolosa, che potrebbe causare lesioni alle persone o danni materiali.

1.2.2 Simboli nel manuale d'istruzioni

Nel presente manuale d'istruzioni vengono utilizzati i seguenti simboli:

	Rispettare il manuale d'istruzioni
	Indicazioni sull'utilizzo ed altre informazioni utili
	Smaltimento dei materiali riciclabili
	Non gettare elettrodomestici o batterie tra i rifiuti domestici

1.2.3 Simboli nelle figure

Vengono utilizzati i seguenti simboli nelle figure:

	Questi numeri rimandano alle figure corrispondenti all'inizio del presente manuale d'istruzioni.
3	La numerazione nelle figure fa riferimento ad importanti fasi di lavoro o a componenti importanti per le fasi di lavoro. Nel testo queste fasi di lavoro o questi componenti vengono messi in evidenza con numeri corrispondenti, ad es. (3) .
	I numeri di posizione vengono utilizzati nella figura Panoramica e fanno riferimento ai numeri della legenda nel paragrafo Panoramica prodotto .
	Questo simbolo dovrebbe attirare in particolare la vostra attenzione in caso di utilizzo del prodotto.

1.3 Simboli in funzione del prodotto

1.3.1 Simboli presenti sul prodotto

I seguenti simboli vengono utilizzati sul prodotto:

	Foratura con percussione
	Scalpellatura
	Posizionamento scalpello
	Classe di protezione II (doppio isolamento)
/min	Rotazioni al minuto
n_0	Numero di giri a vuoto nominale
\emptyset	Diametro
	Trasmissione dei dati wireless

1.4 Informazioni sul prodotto

I prodotti sono destinati ad un uso di tipo professionale e devono essere utilizzati, sottoposti a manutenzione e riparati esclusivamente da personale autorizzato ed opportunamente istruito. Questo personale deve essere istruito specificamente sui pericoli che possono presentarsi. Il prodotto ed i suoi accessori possono essere fonte di pericolo se maneggiati in modo non idoneo da personale non opportunamente istruito o utilizzati in modo non conforme alle disposizioni.



La denominazione del modello ed il numero di serie sono riportati sulla targhetta dell'attrezzo.

- ▶ Riportare il numero di serie nella tabella seguente. I dati relativi al prodotto sono necessari in caso di richieste al nostro rappresentante o al Centro Riparazioni.

Dati prodotto

Martello combinato	TE 50-AVR
Generazione	03
N. di serie	

1.5 Dichiarazione di conformità

Sotto nostra unica responsabilità, dichiariamo che il prodotto qui descritto è stato realizzato in conformità alle direttive e norme vigenti. L'immagine della dichiarazione di conformità è riportata alla fine della presente documentazione.

La documentazione tecnica è depositata qui:

Hilti Entwicklungsgesellschaft mbH | Zulassung Geräte | Hiltistraße 6 | 86916 Kaufering, DE

2 Sicurezza

2.1 Indicazioni generali di sicurezza per attrezzi elettrici

⚠ ATTENZIONE Leggere tutte le indicazioni di sicurezza, istruzioni, illustrazioni e dati tecnici, in dotazione con il presente attrezzo elettrico. La mancata osservanza delle seguenti istruzioni può provocare scosse elettriche, incendi e/o lesioni gravi.

Si raccomanda di conservare tutte le indicazioni di sicurezza e le istruzioni per gli utilizzi futuri.

Il termine "attrezzo elettrico" utilizzato nelle indicazioni di sicurezza si riferisce ad attrezzi elettrici alimentati dalla rete (con cavo di alimentazione) o ad attrezzi elettrici alimentati a batteria (senza cavo di alimentazione).

Sicurezza sul posto di lavoro

- ▶ **Mantenere pulita e ben illuminata la zona di lavoro.** Il disordine o le zone di lavoro non illuminate possono essere fonte di incidenti.
- ▶ **Evitare di lavorare con l'attrezzo elettrico in ambienti soggetti a rischio di esplosioni nei quali si trovino liquidi, gas o polveri infiammabili.** Gli attrezzi elettrici producono scintille che possono far infiammare la polvere o i gas.
- ▶ **Tenere lontani i bambini e le altre persone durante l'impiego dell'attrezzo elettrico.** Eventuali distrazioni potranno comportare la perdita del controllo sull'attrezzo.

Sicurezza elettrica

- ▶ **La spina di collegamento dell'attrezzo deve essere adatta alla presa. Evitare assolutamente di apportare modifiche alla spina. Non utilizzare adattatori con gli attrezzi elettrici dotati di messa a terra di protezione.** Le spine non modificate e le prese adatte allo scopo riducono il rischio di scosse elettriche.
- ▶ **Evitare il contatto del corpo con superfici con messa a terra, come tubi, radiatori, fornelli e frigoriferi.** Sussiste un maggior rischio di scosse elettriche nel momento in cui il corpo è collegato a terra.
- ▶ **Tenere gli attrezzi elettrici al riparo dalla pioggia o dall'umidità.** L'eventuale infiltrazione di acqua in un attrezzo elettrico aumenta il rischio di scosse elettriche.
- ▶ **Non usare il cavo di alimentazione per scopi diversi da quelli previsti, per trasportare o appendere l'attrezzo elettrico, né per estrarre la spina dalla presa di corrente. Tenere il cavo di alimentazione al riparo da fonti di calore, dall'olio, dagli spigoli vivi o da parti in movimento.** I cavi di alimentazione danneggiati o aggrovigliati aumentano il rischio di scosse elettriche.
- ▶ **Qualora si voglia usare l'attrezzo elettrico all'aperto, impiegare esclusivamente cavi di prolunga adatti anche per l'impiego all'esterno.** L'uso di un cavo di prolunga omologato per l'impiego all'esterno riduce il rischio di scosse elettriche.
- ▶ **Se non è possibile evitare l'uso dell'attrezzo elettrico in un ambiente umido, utilizzare un circuito di sicurezza per correnti di guasto.** L'utilizzo di un circuito di sicurezza per correnti di guasto evita il rischio di scosse elettriche.

Sicurezza delle persone

- ▶ **È importante concentrarsi su ciò che si sta facendo e maneggiare con attenzione l'attrezzo elettrico durante le operazioni di lavoro. Non utilizzare attrezzi elettrici quando si è stanchi o sotto l'effetto di stupefacenti, alcol o farmaci.** Un attimo di disattenzione durante l'uso dell'attrezzo elettrico può provocare gravi lesioni.



- ▶ **Indossare sempre l'equipaggiamento di protezione personale e gli occhiali protettivi.** Se si avrà cura d'indossare l'equipaggiamento di protezione personale come la mascherina antipolvere, le calzature antinfortunistiche antiscivolo, l'elmetto di protezione o le protezioni acustiche, a seconda dell'impiego previsto per l'attrezzo, si potrà ridurre il rischio di lesioni.
- ▶ **Evitare l'accensione involontaria dell'attrezzo. Accertarsi che l'attrezzo elettrico sia spento prima di collegare l'alimentazione di corrente e/o la batteria, prima di prenderlo o trasportarlo.** Comportamenti come tenere il dito sopra l'interruttore durante il trasporto o collegare l'attrezzo acceso all'alimentazione di corrente possono essere causa di incidenti.
- ▶ **Rimuovere gli strumenti di regolazione o la chiave inglese prima di accendere l'attrezzo elettrico.** Un utensile o una chiave che si trovino in una parte in rotazione dell'attrezzo possono causare lesioni.
- ▶ **Evitare di assumere posture anomale. Cercare di tenere una posizione stabile e di mantenere sempre l'equilibrio.** In questo modo sarà possibile controllare meglio l'attrezzo elettrico in situazioni inaspettate.
- ▶ **Indossare un abbigliamento adeguato. Evitare di indossare vestiti larghi o gioielli. Tenere i capelli, i vestiti e i guanti lontani da parti in movimento.** I vestiti larghi, i gioielli o i capelli lunghi possono impigliarsi nelle parti in movimento.
- ▶ **Se è possibile montare dispositivi di aspirazione o di raccolta della polvere, assicurarsi che questi siano collegati e vengano utilizzati in modo corretto.** L'impiego di un dispositivo di aspirazione della polvere può diminuire il pericolo rappresentato dalla polvere.
- ▶ **Non farsi ingannare da un falso senso di sicurezza e non ignorare le norme di sicurezza degli attrezzi elettrici, neanche quando si ha dimestichezza con l'attrezzo in seguito ad un uso frequente.** Un comportamento negligente potrebbe provocare gravi lesioni in poche frazioni di secondo.

Utilizzo e manovra dell'attrezzo elettrico

- ▶ **Non sovraccaricare l'attrezzo. Impiegare l'attrezzo elettrico adatto per eseguire il lavoro.** Utilizzando l'attrezzo elettrico adatto, si potrà lavorare meglio e con maggior sicurezza nell'ambito della gamma di potenza indicata.
- ▶ **Non utilizzare attrezzi elettrici con interruttori difettosi.** Un attrezzo elettrico che non si possa più accendere o spegnere è pericoloso e deve essere riparato.
- ▶ **Estrarre la spina dalla presa di corrente e/o la batteria estraibile, prima di regolare l'attrezzo, di sostituire pezzi di ricambio e accessori o prima di riporre l'attrezzo.** Tale precauzione eviterà che l'attrezzo elettrico possa essere messo in funzione inavvertitamente.
- ▶ **Custodire gli attrezzi elettrici non utilizzati al di fuori della portata dei bambini. Non fare usare l'attrezzo a persone che non sono abituate ad usarlo o che non abbiano letto le presenti istruzioni.** Gli attrezzi elettrici sono pericolosi se utilizzati da persone inesperte.
- ▶ **Effettuare accuratamente la manutenzione degli attrezzi elettrici e degli accessori. Verificare che le parti mobili funzionino perfettamente senza incepparsi, che non ci siano pezzi rotti o danneggiati al punto tale da limitare la funzione dell'attrezzo elettrico stesso. Far riparare le parti danneggiate prima d'impiegare l'attrezzo.** Molti incidenti sono provocati da una manutenzione scorretta degli attrezzi elettrici.
- ▶ **Mantenere affilati e puliti gli utensili da taglio.** Gli utensili da taglio conservati con cura ed affilati tendono meno ad incastrarsi e sono più facili da guidare.
- ▶ **Seguire attentamente le presenti istruzioni durante l'utilizzo dell'attrezzo elettrico, degli accessori, degli utensili, ecc. A tale scopo, valutare le condizioni di lavoro e il lavoro da eseguire.** L'impiego di attrezzi elettrici per usi diversi da quelli consentiti potrà dar luogo a situazioni di pericolo.
- ▶ **Tenere le impugnature e le relative superfici asciutte, pulite e senza tracce di olio e grasso.** Le impugnature e le relative superfici scivolose non consentono l'uso sicuro e controllato dell'attrezzo elettrico in situazioni impreviste.

Assistenza

- ▶ **Fare riparare l'attrezzo elettrico esclusivamente da personale specializzato qualificato e solo impiegando pezzi di ricambio originali.** In questo modo potrà essere salvaguardata la sicurezza dell'attrezzo elettrico.

2.2 Indicazioni di sicurezza per martelli

Indicazioni di sicurezza per tutti i lavori

- ▶ **Indossare protezioni acustiche.** Il rumore può provocare la perdita dell'udito.
- ▶ **Utilizzare l'attrezzo con le impugnature supplementari fornite in dotazione.** Un'eventuale perdita del controllo può provocare lesioni.
- ▶ **Afferrare l'attrezzo dalle impugnature isolate quando si eseguono lavori durante i quali è possibile che l'utensile entri in contatto con cavi elettrici nascosti o con il cavo di alimentazione dell'attrezzo**



stesso. Il contatto con un cavo sotto tensione può mettere sotto tensione anche i componenti metallici dello strumento e causare così una scossa elettrica.

Indicazioni di sicurezza in caso di utilizzo di punta lunga

- ▶ **Iniziare sempre il processo di foratura con un numero di giri esiguo e mentre la punta è a contatto con il pezzo in lavorazione.** In caso di numeri di giri più elevati, la punta potrebbe piegarsi leggermente, qualora possa essere ruotata liberamente senza alcun contatto con il pezzo in lavorazione e provocare lesioni.
- ▶ **Non esercitare alcuna pressione eccessiva e solo in senso longitudinale rispetto alla punta.** Le punte possono piegarsi e di conseguenza rompersi oppure provocare la perdita del controllo e lesioni.

2.3 Indicazioni di sicurezza aggiuntive

Sicurezza delle persone

- ▶ Utilizzare questo prodotto solo se in perfette condizioni tecniche di funzionamento.
- ▶ Non manipolare né apportare mai modifiche all'attrezzo.
- ▶ In caso di lavori di sfondamento, mettere in sicurezza la zona sul lato di fronte / opposto al luogo di lavoro. Il materiale prodotto con lo sfondamento potrebbe cadere fuori e/o in basso, causando lesioni ad altre persone.
- ▶ Tenere sempre l'attrezzo saldamente con entrambe le mani e utilizzando le apposite impugnature. Mantenere sempre le impugnature pulite ed asciutte.
- ▶ Afferrare sempre l'impugnatura laterale dall'esterno. Durante la foratura e l'avvitamento, l'attrezzo può spostarsi di lato.
- ▶ Evitare di toccare i componenti rotanti - Pericolo di lesioni!
- ▶ Durante l'utilizzo dell'attrezzo indossare occhiali di protezione adeguati, elmetto protettivo, protezioni acustiche, guanti di protezione ed una leggera mascherina per la protezione delle vie respiratorie.
- ▶ Indossare guanti protettivi anche durante la sostituzione dell'utensile. Un eventuale contatto con l'utensile utilizzato può causare lesioni da taglio ed ustioni.
- ▶ Utilizzare occhiali di protezione. Il materiale scheggiato può causare ferite all'operatore e provocare lesioni agli occhi.
- ▶ Prima di iniziare il lavoro, verificare la categoria di rischio delle polveri che si formeranno durante il lavoro. Impiegare un aspirapolvere da cantiere con classificazione di protezione rilasciata ufficialmente, che sia conforme alle disposizioni locali sulla protezione dalla polvere.
- ▶ Utilizzare possibilmente un dispositivo per l'aspirazione della polvere ed un depolveratore portatile adeguato. Le polveri prodotte da alcuni materiali, come le vernici a contenuto di piombo, alcuni tipi di legno, calcestruzzo / muratura / pietra, che contengono quarzo, e minerali o metallo, possono essere dannose per la salute.
- ▶ Accertarsi che la postazione di lavoro sia ben ventilata e, all'occorrenza, indossare una mascherina di protezione delle vie respiratorie adatta alla polvere prodotta durante la lavorazione. Il contatto o l'inalazione di polvere possono provocare reazioni allergiche e/o patologie delle vie aeree dell'utente oppure delle persone che si trovano nelle vicinanze. Alcune polveri, come la polvere di quercia o di faggio, sono cancerogene, soprattutto se combinate ad additivi per il trattamento del legno (cromato, antisettico per legno). I materiali contenenti amianto devono essere trattati soltanto da personale esperto.
- ▶ Fare delle pause durante il lavoro ed eseguire esercizi per le dita al fine di migliorarne la circolazione sanguigna. In caso di lavori prolungati, a causa delle vibrazioni si possono verificare disturbi ai vasi sanguigni o al sistema nervoso per quanto riguarda dita, mani o polsi.

Sicurezza elettrica

- ▶ Prima di iniziare a lavorare controllare l'area di lavoro per individuare eventuali cavi elettrici, condutture del gas o dell'acqua nascosti. Le parti metalliche esterne dell'attrezzo possono causare una scossa elettrica se, inavvertitamente, viene danneggiato un cavo elettrico.

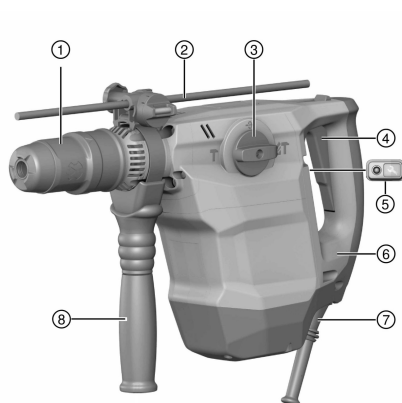
Utilizzo conforme e cura degli attrezzi elettrici

- ▶ Spegnerne immediatamente l'attrezzo, qualora l'utensile dovesse bloccarsi. L'attrezzo può spostarsi lateralmente.
- ▶ Attendere finché l'attrezzo elettrico non si arresta prima di deporlo.



3 Descrizione

3.1 Panoramica del prodotto 1



- ① Porta-utensile
- ② Astina di profondità
- ③ Selettore di funzione
- ④ Interruttore di comando
- ⑤ Indicatore di servizio
- ⑥ Cavo di alimentazione
- ⑦ Impugnatura laterale

3.2 Versione con cavo a spina 2

- ① Tasto di bloccaggio
- ② Collegamento all'attrezzo elettrico
- ③ Cavo di alimentazione con connettore codificato, a spina

3.3 Utilizzo conforme

Il prodotto descritto è un martello combinato elettrico con dispositivo di percussione pneumatico. È concepito per eseguire lavori di foratura in calcestruzzo, muratura, legno e metallo. Il prodotto può inoltre essere utilizzato per eseguire lavori di scalpellatura di lieve/media entità su opere in muratura e per interventi di rifinitura su calcestruzzo.

- L'utilizzo dell'attrezzo deve avvenire in conformità a tensione e frequenza di rete riportate sulla targhetta.

3.4 Possibile utilizzo non conforme

- Questo prodotto non è destinato alla lavorazione di materiali nocivi per la salute.
- Questo prodotto non è adatto per lavorazioni in un ambiente umido.

3.5 Active Vibration Reduction

Il prodotto è dotato di un sistema Active Vibration Reduction (AVR) che riduce in modo percettibile le vibrazioni.

3.6 Attacco a serraggio rapido (accessorio)

L'attacco a serraggio rapido consente di sostituire rapidamente l'utensile senza l'uso di attrezzi aggiuntivi. È adatto per utensili con attacco cilindrico o esagonale, che vengono utilizzati nella modalità "Senza percussione".

3.7 Indicatore di servizio

Il prodotto è equipaggiato con un indicatore di servizio dotato di segnale luminoso.

Stato	Significato
L'indicatore di servizio è acceso	È scaduto il periodo per un intervento di assistenza.
L'indicatore di servizio lampeggia	Danni al prodotto. Fare riparare il martello combinato dal Centro Riparazioni Hilti .



3.8 Dotazione

Martello combinato, impugnatura laterale, manuale d'istruzioni.

Altri prodotti di sistema, omologati per il vostro prodotto, sono reperibili presso il vostro **Hilti Store** oppure all'indirizzo: www.hilti.group

4 Dati tecnici

4.1 Martello combinato

Tensione nominale, corrente nominale, frequenza e/o assorbimento di potenza nominale vanno desunti dalla targhetta specifica del proprio Paese.

In caso di utilizzo con un generatore o trasformatore, la potenza erogata dagli stessi deve essere almeno doppia rispetto all'assorbimento di potenza nominale riportato sulla targhetta dell'attrezzo. La tensione d'esercizio del trasformatore o generatore deve essere sempre compresa tra il +5% e il -15% della tensione nominale dell'attrezzo.

	TE 50-AVR
Peso secondo la procedura EPTA 01	6,1 kg
Temperatura di magazzinaggio	-20 °C ... 70 °C
Temperatura ambiente durante il funzionamento	-17 °C ... 60 °C
Ø punta a percussione	12 mm ... 32 mm
Ø punta per legno	6 mm ... 35 mm
Ø punta per metallo	6 mm ... 13 mm

4.2 Dati su rumorosità e vibrazioni secondo la norma EN 62841

I valori relativi alla pressione acustica e alle vibrazioni riportati nelle presenti istruzioni sono stati misurati secondo una procedura standardizzata e possono essere utilizzati per confrontare i diversi attrezzi elettrici. Sono adatti anche ad una valutazione preventiva delle esposizioni.

I dati indicati rappresentano le principali applicazioni dell'attrezzo elettrico. Se l'attrezzo elettrico viene impiegato per altre applicazioni, con accessori diversi o senza un'adeguata manutenzione, i dati possono variare. Ciò potrebbe aumentare considerevolmente il valore delle esposizioni per l'intera durata di utilizzo.

Per una valutazione precisa delle esposizioni, occorre anche tenere conto degli intervalli di tempo in cui l'attrezzo elettrico è spento oppure è acceso, ma non è in uso. Ciò potrebbe ridurre considerevolmente il valore delle esposizioni per l'intera durata di utilizzo.

Attuare misure di sicurezza aggiuntive per proteggere l'utilizzatore dall'effetto dei rumori e/o delle vibrazioni, come ad esempio: effettuare la manutenzione degli attrezzi elettrici e degli utensili, tenere le mani calde, organizzare le fasi di lavoro.

Valori relativi all'emissione di rumori

	TE 50-AVR
Livello di potenza sonora (L_{WA})	108 dB(A)
Incertezza livello di potenza sonora (K_{WA})	3 dB(A)
Livello di pressione sonora (L_{pA})	97 dB(A)
Incertezza livello di pressione sonora (K_{pA})	3 dB(A)

Valori totali di vibrazioni

	TE 50-AVR
Foratura nel metallo ($a_{h,D}$)	< 5 m/s ²
Foratura con percussione nel calcestruzzo ($a_{h,HD}$)	8,8 m/s ²
Scalpellatura ($a_{h,Chetq}$)	7,1 m/s ²
Incertezza per i dati relativi ai valori di vibrazione (K)	1,5 m/s ²



5 Utilizzo

5.1 Preparazione al lavoro

PRUDENZA

Pericolo di lesioni! Avviamento accidentale del prodotto.

- ▶ Estrarre la spina dalla presa di rete prima di dedicarsi alle impostazioni dell'attrezzo o di sostituire parti accessorie.

Rispettare le avvertenze per la sicurezza ed i segnali di avvertimento riportati nella presente documentazione e sul prodotto.

5.1.1 Montaggio dell'impugnatura laterale

1. Ruotare l'impugnatura per allentare il sostegno (nastro di serraggio) dell'impugnatura laterale.
2. Spingere il sostegno (nastro di serraggio) dalla parte anteriore sopra il porta-utensile, fino a raggiungere la scanalatura predisposta.
3. Posizionare l'impugnatura laterale nella posizione desiderata.
4. Ruotare l'impugnatura per serrare il sostegno (nastro di serraggio) dell'impugnatura laterale.

5.1.2 Montaggio dell'astina di profondità (opzionale)

1. Ruotare l'impugnatura per allentare il sostegno (nastro di serraggio) dell'impugnatura laterale.
2. Spingere l'astina di profondità dalla parte anteriore nei 2 fori guida appositamente predisposti.
3. Ruotare l'impugnatura per serrare il sostegno (nastro di serraggio) dell'impugnatura laterale.
 - ▶ L'astina di profondità è montata. Per la regolazione della profondità di foratura:
4. Allentare la vite sull'astina di profondità.
5. Regolare l'astina di profondità alla profondità di foratura desiderata.
6. Chiudere la vite sull'astina di profondità.

5.1.3 Inserimento/rimozione dell'utensile

PRUDENZA

Pericolo di lesioni a causa dell'utensile! L'utensile può essere caldo o tagliente.

- ▶ In occasione del cambio utensile, indossare appositi guanti di protezione.

1. Ingrassare leggermente il codolo dell'utensile.
2. Inserire l'utensile fino a battuta nel porta-utensile e farlo scattare in posizione.
 - ▶ Il prodotto è pronto all'uso.
3. Tirare indietro il dispositivo di blocco utensili fino a battuta ed estrarre l'utensile.



Utilizzare solamente grasso originale **Hilti**. L'uso di un grasso non adatto può danneggiare il prodotto.

5.2 Lavoro

PRUDENZA

Pericolo di danneggiamento a causa dell'utilizzo errato!

- ▶ Non azionare l'interruttore del senso di rotazione e/o la selezione di funzioni durante il funzionamento.

Rispettare le avvertenze per la sicurezza ed i segnali di avvertimento riportati nella presente documentazione e sul prodotto.

5.2.1 Foratura a percussione

1. Portare il selettore di funzione in posizione "Foratura con percussione" .
2. Appoggiare la punta sul materiale di fondo.
3. Premere l'interruttore di comando.
 - ▶ Il prodotto entra in funzione.



5.3 Posizionamento scalpello 7

PRUDENZA

Pericolo di lesioni! Perdita del controllo sulla direzione dello scalpello.

- ▶ Non lavorare nella posizione "Posizionamento dello scalpello". Portare il selettore funzione in posizione "Scalpellatura", fino a farlo scattare in sede.



Lo scalpello può essere impostato in 24 diverse posizioni (ad intervalli di 15°). In questo modo è possibile lavorare sempre nella posizione ottimale sia con scalpelli piatti, sia con scalpelli sagomati.

1. Portare il selettore di funzione in posizione "Posizionamento scalpello" →.
2. Ruotare lo scalpello fino alla posizione desiderata.
3. Portare il selettore di funzione in posizione "Scalpellatura" T, fino a farlo scattare in sede.
 - ▶ Il prodotto è pronto all'uso.

5.3.1 Scalpellatura 8

- ▶ Portare il selettore di funzione in posizione "Scalpellatura" T.

5.3.2 Inserimento/disinserimento funzionamento continuo 9



In modalità di scalpellatura è possibile bloccare l'interruttore ON/OFF in stato attivato.

1. Spingere in avanti il pulsante di blocco per il funzionamento continuo.
2. Premere completamente l'interruttore ON/OFF.
 - ▶ Il prodotto funziona ora in modalità di funzionamento continuo.
3. Spingere indietro il pulsante di blocco per il funzionamento continuo.
 - ▶ Il prodotto viene disattivato.

6 Cavo a innesto

6.1 Collegamento del cavo di alimentazione a spina

PRUDENZA

Pericolo di lesioni a causa di correnti di dispersione superficiali in presenza di contatti sporchi.

- ▶ Collegare il connettore elettrico amovibile con l'elettrotensile solo in condizioni pulite, asciutte ed in assenza di tensione.
1. Introdurre il connettore elettrico a spina, codificato, fino a battuta all'interno dell'attrezzo, finché il blocco non si innesta udibilmente in sede.
 2. Inserire la spina di alimentazione nella presa.

6.2 Rimozione del cavo di alimentazione a spina dall'attrezzo elettrico

1. Estrarre la spina dalla presa.
2. Premere il tasto di bloccaggio ed estrarre il connettore elettrico a spina, codificato.
3. Estrarre il cavo di alimentazione dall'attrezzo.

7 Cura e manutenzione

AVVERTIMENTO

Pericolo di scossa elettrica! Qualora si eseguano interventi di cura e manutenzione a connettore di alimentazione inserito, vi è rischio di lesioni ed ustioni di grave entità.

- ▶ Prima di qualsiasi intervento di cura e manutenzione, estrarre sempre il connettore di alimentazione!

Cura

- Rimuovere con cautela lo sporco tenace attaccato all'attrezzo.
- Pulire con cautela le feritoie di ventilazione utilizzando una spazzola asciutta.



- Pulire la carcassa utilizzando solo un panno leggermente inumidito. Non utilizzare prodotti detergenti contenenti silicone, poiché potrebbero risultare aggressivi per le parti in plastica.

Manutenzione

AVVERTIMENTO

Pericolo di scossa elettrica! Riparazioni incaute su componenti elettrici possono provocare gravi lesioni e bruciature.

- ▶ Tutte le riparazioni inerenti alle parti elettriche devono essere eseguite solo da elettricisti specializzati.
- Controllare regolarmente che tutte le parti visibili non presentino danneggiamenti e che gli elementi di comando funzionino perfettamente.
- In caso di danneggiamenti e/o di malfunzionamenti non mettere in funzione il prodotto. Fare riparare immediatamente l'attrezzo da un Centro Riparazioni **Hilti**.
- In seguito ad eventuali lavori di cura e manutenzione dell'attrezzo ripristinare tutti i dispositivi di protezione e verificarne il corretto funzionamento.



Per un sicuro funzionamento dell'attrezzo utilizzare solamente ricambi e materiali di consumo originali. Le parti di ricambio, i materiali di consumo e gli accessori per il vostro prodotto sono disponibili presso il vostro **Hilti Store** di fiducia o all'indirizzo internet www.hilti.group.

8 Trasporto e magazzinaggio

- Non trasportare l'attrezzo elettrico con l'utensile inserito.
- Riporre sempre l'attrezzo elettrico con la spina scollegata dalla rete.
- Asciugare l'attrezzo e conservarlo fuori dalla portata dei bambini e delle persone non autorizzate.
- Dopo un lungo periodo di magazzinaggio o un lungo periodo di trasporto verificare che l'attrezzo elettrico non presenti danneggiamenti.

9 Supporto in caso di anomalie

In caso di anomalie non indicate nella presente tabella o che non è possibile risolvere per proprio conto, si prega di rivolgersi al Centro Riparazioni **Hilti**.

9.1 Supporto in caso di anomalie

Anomalia	Possibile causa	Soluzione
L'attrezzo non funziona.	Alimentazione di corrente della rete interrotta	▶ Collegare un altro attrezzo elettrico e verificarne il funzionamento.
	È attivato il blocco elettronico dell'avviamento dopo un'interruzione di corrente.	▶ Spegner e riaccendere l'attrezzo.
La percussione non funziona.	L'attrezzo è troppo freddo.	▶ Posizionare il martello perforatore sulla superficie di lavoro e lasciarlo in funzione al minimo della potenza. Se necessario ripetere l'operazione finché il dispositivo di percussione non funziona.
Il martello combinato non funziona a piena potenza.	Il cavo di prolunga ha una sezione insufficiente.	▶ Utilizzare un cavo di prolunga con una sezione sufficiente.
	L'alimentazione di corrente ha una tensione troppo bassa.	▶ Collegare il martello combinato ad un'altra fonte di alimentazione elettrica.
La punta non gira.	Selettore di funzione non innestato oppure in posizione "Scalpellatura" T o "Posizionamento scalpello" T →.	▶ Portare il selettore di funzione in posizione "Foratura con percussione" T .



Anomalia	Possibile causa	Soluzione
La punta non può essere estratta dal porta-utensile.	Porta-utensile non arretrato completamente.	▶ Tirare indietro il dispositivo di blocco utensili fino a battuta ed estrarre l'utensile.
	Impugnatura laterale non montata correttamente.	▶ Allentare e montare correttamente l'impugnatura laterale in modo che il nastro di serraggio e l'impugnatura laterale stessa si innestino nell'apposito incavo.
L'indicatore di servizio si accende dopo la sostituzione delle spazzole.	Contatti non ancora connessi.	▶ Lasciare le spazzole di carbone in funzione al minimo per almeno 1 minuto ininterrottamente.

10 Smaltimento

Gli strumenti e gli attrezzi Hilti sono in gran parte realizzati con materiali riciclabili. Condizione essenziale per il riciclaggio è che i materiali vengano accuratamente separati. In molte nazioni, Hilti provvede al ritiro dei vecchi attrezzi ed al loro riciclaggio. Per informazioni al riguardo, contattare il Servizio Clienti Hilti oppure il proprio referente Hilti.



- ▶ Non gettare gli attrezzi elettrici, le apparecchiature elettroniche e le batterie tra i rifiuti domestici.

11 RoHS (direttiva per la restrizione dell'uso di sostanze pericolose)

Al link seguente trovate la tabella delle sostanze pericolose: qr.hilti.com/r4902202.

Alla fine di questa documentazione trovate un codice QR che consente di accedere alla tabella RoHS.

12 Garanzia del costruttore

- ▶ In caso di domande sulle condizioni di garanzia, rivolgersi al partner locale Hilti.

Originální návod k obsluze

1 Údaje k návodu k obsluze

1.1 K tomuto návodu k obsluze

- Před uvedením do provozu si přečtěte tento návod k obsluze. Je to předpoklad pro bezpečnou práci a bezproblémové zacházení.
- Dodržujte bezpečnostní pokyny a varovná upozornění v tomto návodu k obsluze a na výrobku.
- Návod k obsluze mějte uložený vždy u výrobku a dalším osobám předávejte výrobek jen s tímto návodem k obsluze.

1.2 Vysvětlení značek

1.2.1 Varovná upozornění

Varovná upozornění varují před nebezpečím při zacházení s výrobkem. Byla použita následující signální slova:

NEBEZPEČÍ

NEBEZPEČÍ!

- ▶ Používá se k upozornění na bezprostřední nebezpečí, které by mohlo vést k těžkému poranění nebo k smrti.



VÝSTRAHA

VÝSTRAHA !

- Používá se k upozornění na potenciální nebezpečí, které může vést k těžkým poraněním nebo k smrti.

POZOR

POZOR !

- Používá se k upozornění na potenciálně nebezpečnou situaci, která by mohla vést k poraněním nebo k věcným škodám.

1.2.2 Symboly v návodu k obsluze

V tomto návodu k obsluze jsou použité následující symboly:

	Řiďte se návodem k obsluze
	Pokyny k používání a ostatní užitečné informace
	Zacházení s recyklovatelnými materiály
	Elektrická zařízení a akumulátory nevyhazujte do smíšeného odpadu

1.2.3 Symboly na obrázcích

Na obrázcích jsou použity následující symboly:

	Tato čísla odkazují na příslušný obrázek na začátku tohoto návodu k obsluze.
3	Číslování na obrázcích odkazují na důležité pracovní kroky nebo pro pracovní kroky důležité součásti. V textu jsou tyto pracovní kroky nebo součásti zvýrazněny příslušnými čísly, např. (3) .
	Čísla pozic jsou uvedena na obrázku Přehled a odkazují na čísla z legendy v části Přehled výrobku .
	Tato značka znamená, že byste měli manipulaci s výrobkem věnovat zvláštní pozornost.

1.3 Symboly v závislosti na výrobku

1.3.1 Symboly na výrobku

Na výrobku byly použity následující symboly:

	Vrtání s přiklepem (přiklepové vrtání)
	Sekání
	Polohování sekáče
	Třída ochrany II (dvojitá izolace)
/min	Otáčky za minutu
n_0	Jmenovité volnoběžné otáčky
\emptyset	Průměr
	Bezdrátový přenos dat

1.4 Informace o výrobku

Výrobky jsou určeny pro profesionální uživatele a smí je obsluhovat, ošetřovat a provádět jejich údržbu pouze autorizovaný a instruovaný personál. Tento personál musí být speciálně informován o vyskytujících se nebezpečích, s nimiž by se mohl setkat. Výrobek a jeho pomůcky mohou být nebezpečné, pokud s nimi nesprávně zachází nevyškolený personál nebo pokud se nepoužívají v souladu s určeným účelem.



Typové označení a sériové číslo jsou uvedeny na typovém štítku.

- Poznámenejte si sériové číslo do následující tabulky. Údaje výrobku budete potřebovat při dotazech adresovaných našemu zastoupení nebo servisu.

Údaje o výrobku

Kombinované kladivo	TE 50-AVR
Generace	03
Sériové číslo	

1.5 Prohlášení o shodě

Prohlašujeme na výhradní zodpovědnost, že zde popsaný výrobek je ve shodě s platnými směrniciemi a normami. Kopii prohlášení o shodě najdete na konci této dokumentace.

Technické dokumentace jsou uloženy zde:

Hilti Entwicklungsgesellschaft mbH | Zulassung Geräte | Hiltistraße 6 | 86916 Kaufering, DE

2 Bezpečnost

2.1 Všeobecné bezpečnostní pokyny pro elektrické nářadí

⚠ VAROVÁNÍ Přečtete si všechny bezpečnostní pokyny, instrukce, vyobrazení a technické údaje, které patří k tomuto elektrickému nářadí. Nedbalost při dodržování následujících instrukcí může mít za následek úraz elektrickým proudem, požár a/nebo těžká poranění.

Všechny bezpečnostní pokyny a instrukce uschovejte pro budoucí potřebu.

Pojem „elektrické nářadí“, používaný v bezpečnostních pokynech, se vztahuje na elektrické nářadí napájené ze sítě (se síťovým kabelem) nebo na elektrické nářadí napájené z akumulátoru (bez síťového kabelu).

Bezpečnost pracoviště

- **Pracoviště musí být čisté a dobře osvětlené.** Nepořádek nebo neosvětlená místa mohou vést k úrazům.
- **S elektrickým nářadím nepracujte v prostředí s nebezpečím výbuchu, kde se nacházejí hořlavé kapaliny, plyny nebo prach.** Elektrické nářadí jiskří; od těchto jisker se mohou prach nebo páry vznítit.
- **Při práci s elektrickým nářadím zabraňte přístupu dětem a jiným osobám na pracoviště.** Rozptylování pozornosti by mohlo způsobit ztrátu kontroly nad nářadím.

Elektrická bezpečnost

- **Síťová zástrčka elektrického nářadí musí odpovídat zásuvce.** Zástrčka nesmí být žádným způsobem upravována. U elektrického nářadí s ochranným uzemněním nepoužívejte žádné adaptéry. Neupravované zástrčky a odpovídající zásuvky snižují riziko úrazu elektrickým proudem.
- **Nedotýkejte se uzemněných povrchů, např. trubek, topení, sporáků a chladniček.** Při tělesném kontaktu s uzemněním hrozí zvýšené riziko úrazu elektrickým proudem.
- **Elektrické nářadí chraňte před deštěm a vlhkem.** Vniknutí vody do elektrického nářadí zvyšuje nebezpečí úrazu elektrickým proudem.
- **Síťový kabel používejte jen k tomu účelu, pro který je určený. Nepoužívejte ho zejména k nošení či zavěšování elektrického nářadí ani k vytažování zástrčky ze zásuvky. Síťový kabel chraňte před horkem, olejem, ostrými hranami a pohyblivými díly.** Poškozené nebo zamotané síťové kabely zvyšují riziko úrazu elektrickým proudem.
- **Pokud pracujete s elektrickým nářadím venku, používejte pouze takové prodlužovací kabely, které jsou vhodné i pro venkovní použití.** Použití prodlužovacího kabelu, který je vhodný pro venkovní použití, snižuje riziko úrazu elektrickým proudem.
- **Pokud se nelze vyvarovat provozu elektrického nářadí ve vlhkém prostředí, použijte proudový chránič.** Použití proudového chrániče snižuje riziko úrazu elektrickým proudem.

Bezpečnost osob

- **Bud'te pozorní, dávejte pozor na to, co děláte, a přistupujte k práci s elektrickým nářadím rozumně.** Elektrické nářadí nepoužívejte, když jste unaveni nebo pod vlivem drog, alkoholu či léků. Okamžitá nepozornost při práci s elektrickým nářadím může mít za následek vážná poranění.
- **Používejte osobní ochranné pomůcky a vždy noste ochranné brýle.** Používání osobních ochranných pomůcek, jako jsou dýchací maska proti prachu, bezpečnostní obuv s protiskluzovou podrážkou, ochranná helma nebo chrániče sluchu (podle druhu použití elektrického nářadí), snižuje riziko úrazu.
- **Zabraňte neúmyslnému uvedení do provozu. Před zapojením elektrického nářadí do sítě a/nebo vložením akumulátoru, před uchopením elektrického nářadí nebo jeho přenášením se ujistěte, že je vypnuté.** Držíte-li při přenášení elektrického nářadí prst na spínači nebo připojujete-li ho k síti zapnuté, může dojít k úrazu.



- ▶ **Dříve než elektrické nářadí zapnete, odstraňte seřizovací nástroje nebo klíč.** Nástroj nebo klíč ponechaný v otáčivém dílu nářadí může způsobit úraz.
- ▶ **Udržujte přirozené držení těla. Zajímte bezpečný postoj a udržujte rovnováhu.** Tak si v nečekaných situacích zachováte lepší kontrolu nad výrobkem.
- ▶ **Noste vhodné oblečení. Nenoste volný oděv ani šperky. Vlasy, oděv a rukavice mějte v bezpečné vzdálenosti od pohybujících se dílů.** Volný oděv, šperky a dlouhé vlasy jimi mohou být zachyceny.
- ▶ **Pokud lze namontovat odsávání prachu nebo zařízení na zachycení prachu, zkontrolujte, zda jsou připojené a používají se správně.** Použitím odsávání prachu můžete snížit ohrožení vlivem prachu.
- ▶ **Nenechte se ukolébat falešným pocitem bezpečí a nepřekračujte bezpečnostní pravidla pro elektrické nářadí, i když jste po mnohonásobném použití s elektrickým nářadím dobře seznámeni.** Nepozorné jednání může ve zlomcích sekundy způsobit těžká zranění.

Použití elektrického nářadí a péče o něj

- ▶ **Nářadí nepřetěžujte. Pro danou práci použijte elektrické nářadí, které je pro ni určené.** S vhodným elektrickým nářadím budete v dané výkonové oblasti pracovat lépe a bezpečněji.
- ▶ **Nepoužívejte elektrické nářadí s vadným spínačem.** Elektrické nářadí, které nelze zapnout nebo vypnout, je nebezpečné a musí se opravit.
- ▶ **Dříve než budete nářadí seřizovat, měnit jeho příslušenství nebo než ho odložíte, vytáhněte síťovou zástrčku ze zásuvky a/nebo vyjměte odnímatelný akumulátor.** Toto preventivní opatření zabrání neúmyslnému zapnutí elektrického nářadí.
- ▶ **Nepoužívané elektrické nářadí uchovávejte mimo dosah dětí. Nedovoľte, aby nářadí používaly osoby, které s ním nejsou seznámené nebo si nepřečetly tyto pokyny.** Elektrické nářadí je nebezpečné, když ho používají nezkušené osoby.
- ▶ **O elektrické nářadí a příslušenství se pečlivě starajte. Kontrolujte, zda pohyblivé díly bezvadně fungují a nevážnou, zda díly nejsou prasklé nebo poškozené tak, že by byla narušena funkce elektrického nářadí. Poškozené díly nechte před použitím nářadí opravit.** Mnoho úrazů má na svědomí nedostatečná údržba elektrického nářadí.
- ▶ **Řezné nástroje udržujte ostré a čisté.** Pečlivě ošetřované řezné nástroje s ostrými řeznými hranami méně vážnou a dají se lehčeji vést.
- ▶ **Elektrické nářadí, příslušenství, nástroje atd. používejte v souladu s těmito instrukcemi. Respektujte přítomné pracovní podmínky a prováděnou činnost.** Použití elektrického nářadí k jinému účelu, než ke kterému je určeno, může být nebezpečné.
- ▶ **Rukojeti a plochy rukojeti udržujte suché, čisté a beze stop oleje a tuku.** Kluzké rukojeti a plochy rukojeti nedovolují bezpečné ovládání a kontrolu elektrického nářadí v nepředvídaných situacích.

Servis

- ▶ **Elektrické nářadí svěřujte do opravy pouze kvalifikovaným odborným pracovníkům, kteří mají k dispozici originální náhradní díly.** Tak zajistíte, že elektrické nářadí bude i po opravě bezpečné.

2.2 Bezpečnostní pokyny pro kladiva

Bezpečnostní pokyny pro všechny práce

- ▶ **Používejte chrániče sluchu.** Hluk může způsobit ztrátu sluchu.
- ▶ **Používejte přídavné rukojeti dodané s nářadím.** Ztráta kontroly může vést k poranění.
- ▶ **Při práci, při které může nástroj zasáhnout skryté elektrické rozvody nebo vlastní síťový kabel, držte nářadí za izolované rukojeti.** Kontakt s vedením pod proudem může vést pod napětí i kovové díly nářadí, což by mohlo způsobit úraz elektrickým proudem.

Bezpečnostní pokyny pro používání dlouhých vrtáků

- ▶ **Začínáte vrtání vždy s nízkými otáčkami a když je vrták v kontaktu s obrobkem.** Při vyšších otáčkách se vrták může snadno ohnout, pokud by se mohl volně otáčet bez kontaktu s obrobkem, a způsobit poranění.
- ▶ **Vyvíjejte jen přiměřený tlak a pouze v podélném směru vůči vrtáku.** Vrtáky se mohou ohnout, a v důsledku toho prasknout nebo způsobit ztrátu kontroly a poranění.

2.3 Dodatečné bezpečnostní pokyny

Bezpečnost osob

- ▶ Výrobek používejte jen v technicky bezvadném stavu.
- ▶ Neprovádějte žádné manipulace nebo změny na nářadí.
- ▶ Při prorážení otvorů zajistěte oblast na druhé straně. Vybourané části mohou vypadnout ven a/nebo dolů a poranit jiné osoby.



- ▶ Nářadí držte vždy pevně oběma rukama za rukojeti, které jsou k tomu určené. Rukojeti udržujte suché a čisté.
- ▶ Postranní rukojeť vždy držte z vnější strany. Při vrtání a šroubování může dojít k vybočení nářadí do strany.
- ▶ Nedotýkejte se rotujících dílů – nebezpečí poranění!
- ▶ Při používání nářadí používejte vhodné ochranné brýle, ochrannou helmu, chrániče sluchu, ochranné rukavice a lehký respirátor.
- ▶ Také při výměně nástrojů noste ochranné rukavice. Při dotknutí nástroje může dojít k řeznému poranění a popálení.
- ▶ Používejte ochranu očí. Odštípnutý materiál může způsobit poranění těla a očí.
- ▶ Před začátkem práce si ujasněte rizikovou kategorii prachu, který při práci vzniká. Používejte stavební vysavač s oficiálně schválenou třídou ochrany, která splňuje místní předpisy na ochranu proti prachu.
- ▶ Pokud možno použijte odsávání prachu a vhodný mobilní vysavač. Prach z materiálů, jako jsou nátěry s obsahem olova, některé druhy dřeva, beton/zdivo/kámen, které obsahují křemen, a dále minerály a kov, může být zdraví škodlivý.
- ▶ Zajistěte dobré větrání pracoviště a v případě potřeby noste respirátor vhodný pro příslušný prach. Kontakt s tímto prachem nebo jeho vdechování může způsobit alergické reakce a/nebo onemocnění dýchacích cest pracovníka nebo osob v okolí. Určitý prach, např. prach z dubového nebo bukového dřeva, je rakovinotvorný, zejména ve spojení s přísadami pro úpravu dřeva (chromát, prostředky na ochranu dřeva). S materiálem obsahujícím azbest smí manipulovat pouze odborníci.
- ▶ Dělejte pracovní přestávky a provádějte cvičení pro lepší prokrvení prstů. Při delší práci může vlivem vibrací dojít k cévním poruchám nebo k poruchám nervového systému v prstech, rukách nebo zápěstích.

Elektrická bezpečnost

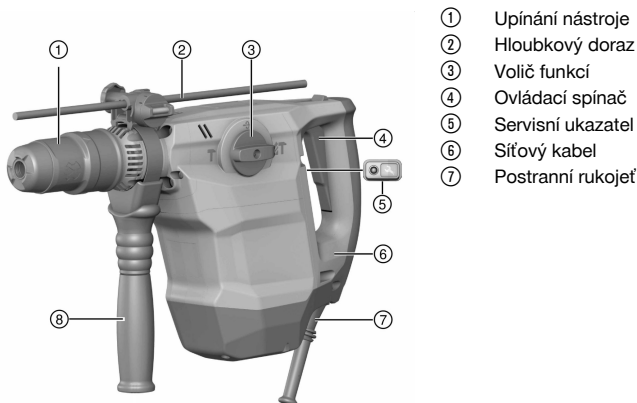
- ▶ Před zahájením práce zkontrolujte pracovní oblast, zda se v ní nenacházejí skryté elektrické rozvody, plynové a vodovodní trubky. Pokud byste omylem poškodili elektrické vedení, vnější kovové části nářadí mohou způsobit úraz elektrickým proudem.

Pečlivé zacházení s elektrickým nářadím a jeho používání

- ▶ Když se zablokuje nástroj, elektrické nářadí okamžitě vypněte. Nářadí se může vychýlit do strany.
- ▶ Než elektrické nářadí odložíte, počkejte, dokud se nezastaví.

3 Popis

3.1 Přehled výrobku



- ① Upínání nástroje
- ② Hloubkový doraz
- ③ Volič funkcí
- ④ Ovládací spínač
- ⑤ Servisní ukazatel
- ⑥ Síťový kabel
- ⑦ Postranní rukojeť

3.2 Provedení se zásuvným kabelem

- ① Aretační tlačítko
- ② Přípojka na elektrickém nářadí
- ③ Síťový kabel s kódovaným odpojitelným konektorem



3.3 Použití v souladu s určeným účelem

Popsaný výrobek je elektrické kombinované kladivo s pneumatickým přiklepovým mechanismem. Je určené pro vrtání do betonu, zdiva, dřeva a kovu. Dále je možné výrobek používat pro lehké až středně těžké sekací práce ve zdivu a dokončovací práce v betonu.

- ▶ Nářadí se smí používat pouze se síťovým napětím a síťovou frekvencí, které jsou uvedené na typovém štítku.

3.4 Možné nesprávné použití

- Tento výrobek není vhodný pro práci se zdraví škodlivými materiály.
- Tento výrobek není vhodný pro práci ve vlhkém prostředí.

3.5 Active Vibration Reduction

Výrobek je vybavený systémem Active Vibration Reduction (AVR), který citelně snižuje vibrace.

3.6 Rychloupínací sklíčidlo (příslušenství)

Rychloupínací sklíčidlo umožňuje rychlou výměnu nástroje bez dalšího nářadí. Je vhodné pro nástroje s válcovou stopkou nebo šestihranem, které se používají v režimu „bez přiklepu“.

3.7 Servisní ukazatel

Výrobek je vybavený servisním ukazatelem se světelnou signalizací.

Stav	Význam
Svítil indikace servisního zásahu.	Dosažena doba nutnosti servisu.
Servisní ukazatel bliká.	Výrobek je poškozený. Nechte kombinované kladivo opravit v servisu Hilti .

3.8 Obsah dodávky

Kombinované kladivo, postranní rukojeť, návod k obsluze.

Další systémové produkty schválené pro váš výrobek najdete v **Hilti Store** nebo na: www.hilti.group

4 Technické údaje

4.1 Kombinované kladivo

Jmenovité napětí, jmenovitý proud, frekvenci a/nebo jmenovitý příkon najdete na typovém štítku určeném pro vaši zemi.

Při provozu s generátorem nebo transformátorem musí být jeho výstupní výkon minimálně dvojnásobný, než je jmenovitý příkon uvedený na typovém štítku nářadí. Provozní napětí transformátoru nebo generátoru musí být neustále v rozpětí +5 % a -15 % jmenovitého napětí nářadí.

	TE 50-AVR
Hmotnost podle standardu EPTA 01	6,1 kg
Skladovací teplota	-20 °C ... 70 °C
Okolní teplota při provozu	-17 °C ... 60 °C
Ø přiklepového vrtáku	12 mm ... 32 mm
Ø vrtáku do dřeva	6 mm ... 35 mm
Ø vrtáku do kovu	6 mm ... 13 mm

4.2 Informace o hlučnosti a hodnoty vibrací podle EN 62841

Hodnoty akustického tlaku a vibrací uvedené v těchto pokynech byly změřeny normovanou měřicí metodou a lze je použít k vzájemnému srovnání elektrického nářadí. Jsou vhodné také pro předběžný odhad působení.



Uvedené údaje reprezentují hlavní použití elektrického nářadí. Při jiném způsobu použití, při použití s jinými nástroji nebo nedostatečné údržbě se údaje mohou lišit. Působení během celé pracovní doby se tím může výrazně zvýšit.

Pro přesný odhad působení je nutné zohlednit také dobu, kdy je elektrické nářadí vypnuté nebo kdy sice běží, ale nepoužívá se. Působení během celé pracovní doby se tím může výrazně snížit.

Stanovte doplňující bezpečnostní opatření na ochranu pracovníka před působením hluku a/nebo vibrací, například: údržbu elektrického nářadí a nástrojů, udržování rukou v teple, organizace pracovních postupů.

Hodnoty emitovaného hluku

	TE 50-AVR
Hladina akustického výkonu (L_{WA})	108 dB(A)
Nejistota pro hladinu akustického výkonu (K_{WA})	3 dB(A)
Hladina akustického tlaku (L_{pA})	97 dB(A)
Nejistota pro hladinu akustického tlaku (K_{pA})	3 dB(A)

Celkové hodnoty vibrací

	TE 50-AVR
Vrtání do kovu ($a_{h,D}$)	< 5 m/s ²
Vrtání s přiklepem do betonu ($a_{h,HD}$)	8,8 m/s ²
Sekání ($a_{h,Cheq}$)	7,1 m/s ²
Nejistota pro uvedené hodnoty vibrací (K)	1,5 m/s ²

5 Obsluha

5.1 Příprava práce

POZOR

Nebezpečí poranění! Neúmyslné spuštění výrobku.

- Před nastavováním nářadí nebo výměnou příslušenství vytáhněte síťovou zástrčku ze zásuvky.

Dodržujte bezpečnostní pokyny a varovná upozornění v této dokumentaci a na výrobku.

5.1.1 Montáž postranní rukojeti

1. Otáčejte rukojetí pro uvolnění držáku (upínacího pásku) postranní rukojeti.
2. Nasaďte držák (upínací pásek) zepředu přes upínání nástroje až do určené drážky.
3. Nastavte postranní rukojeť do požadované polohy.
4. Otáčejte rukojetí pro upnutí držáku (upínacího pásku) postranní rukojeti.

5.1.2 Montáž hloubkového dorazu (volitelné)

1. Otáčejte rukojetí pro uvolnění držáku (upínacího pásku) postranní rukojeti.
2. Hloubkový doraz nasaďte zepředu do určených 2 vodicích otvorů.
3. Otáčejte rukojetí pro upnutí držáku (upínacího pásku) postranní rukojeti.
 - Hloubkový doraz je namontovaný. Pro nastavení hloubky vrtání:
4. Povolte šroub na hloubkovém dorazu.
5. Nastavte hloubkový doraz na požadovanou hloubku vrtání.
6. Utáhněte šroub na hloubkovém dorazu.

5.1.3 Nasazení/vyjmutí nástroje

POZOR

Nebezpečí poranění nástrojem! Nástroj může být horký nebo může mít ostré hrany.

- Při výměně nástroje noste ochranné rukavice.

1. Mírně namažte upínací stopku nástroje.
2. Zasuňte nástroj až nadoraz do uchycení a nechte ho zaskočit.
 - Výrobek je připravený k použití.



- Zatáhněte zajištění nástroje až nadoraz dozadu a vyjměte nástroj.



Používejte pouze originální tuk **Hilti**. Použití nevhodného tuku může způsobit poškození výrobku.

5.2 Práce

POZOR

Nebezpečí poškození nesprávnou manipulací!

- ▶ Spínač pro nastavení směru otáčení a/hebo výběr funkce neovládejte během provozu.

Dodržujte bezpečnostní pokyny a varovná upozornění v této dokumentaci a na výrobku.

5.2.1 Vrtání s příklepem (příklepové vrtání)

- Nastavte volič funkcí do polohy „vrtání s příklepem“ .
- Nasaďte vrták na podklad.
- Stiskněte ovládací spínač.
 - ▶ Výrobek se rozběhne.

5.3 Polohování sekáče

POZOR

Nebezpečí poranění! Ztráta kontroly nad směrem sekání.

- ▶ Nepracujte v poloze „Polohování sekáče“. Nastavte volič funkcí do polohy „sekání“, až zaskočí.



Sekáč je možné zaaretovat ve 24 různých polohách (po 15°). Tak lze s plochými a tvarovými sekáči vždy pracovat v optimální pracovní poloze.

- Nastavte volič funkcí do polohy „polohování sekáče“ .
- Nastavte sekáč do požadované polohy.
- Nastavte volič funkcí do polohy „sekání“ , až zaskočí.
 - ▶ Výrobek je připravený k použití.

5.3.1 Sekání

- ▶ Nastavte volič funkcí do polohy „sekání“ .

5.3.2 Zapnutí/vypnutí trvalého provozu



Při sekání lze vypínač zajistit v zapnutém stavu.

- Aretační tlačítko pro trvalý provoz posuňte dopředu.
- Úplně stiskněte vypínač.
 - ▶ Výrobek pracuje nyní v trvalém provozu.
- Aretační tlačítko pro trvalý provoz posuňte dozadu.
 - ▶ Výrobek se vypne.

6 Zásuvný kabel

6.1 Připojení zásuvného síťového kabelu

POZOR

Nebezpečí poranění bludným proudem při znečištěných kontaktech.

- ▶ Odpojitelný elektrický konektor zapojte do elektrického nářadí jen v čistém, suchém stavu bez napětí.

- Kódovaný odpojitelný elektrický konektor zasuňte až nadoraz do nářadí tak, aby aretace slyšitelně zaskočila.
- Zastrčte síťovou zástrčku do zásuvky.



6.2 Odpojení síťového kabelu z elektrického nářadí

1. Vytáhněte síťovou zástrčku ze zásuvky.
2. Stiskněte aretační tlačítko a odpojte kódovaný odpojitelný elektrický konektor.
3. Vytáhněte síťový kabel z nářadí.

7 Péče a údržba

VÝSTRAHA

Nebezpečí úrazu elektrickým proudem! Provádění ošetřování a údržby se zapojenou síťovou zástrčkou může mít za následek těžká poranění a popáleniny.

- ▶ Před veškerým ošetřováním a údržbou vždy vytáhněte síťovou zástrčku!

Ošetřování

- Opatrně odstraňte ulpívající nečistoty.
- Ventiláční štěrbinu očistěte opatrně suchým kartáčem.
- Kryt čistěte pouze mírně navlhčeným hadrem. Nepoužívejte ošetřovací prostředky s obsahem silikonu, aby nedošlo k poškození plastových částí.

Údržba

VÝSTRAHA

Nebezpečí úrazu elektrickým proudem! Neodborné opravy elektrických součástí mohou způsobit těžká poranění a popáleniny.

- ▶ Opravy na elektrických částech smí provádět pouze odborník s elektrotechnickou kvalifikací.
- Pravidelně kontrolujte všechny viditelné díly, zda nejsou poškozené, a ovládací prvky, zda správně fungují.
- V případě poškození a/nebo poruchy funkce výrobek nepoužívejte. Nechte ho ihned opravit v servisu Hilti.
- Po ošetřování a údržbě nasadte všechna ochranná zařízení a zkontrolujte funkci.



Pro bezpečný provoz používejte pouze originální náhradní díly a spotřební materiál. Námí schválené náhradní díly, spotřební materiál a příslušenství pro svůj výrobek najdete v **Hilti Store** nebo na: www.hilti.group.

8 Přeprava a skladování

- Elektrické nářadí nepřpravujte s nasazeným nástrojem.
- Elektrické nářadí skladujte vždy s odpojenou síťovou zástrčkou.
- Nářadí skladujte v suchu a mimo dosah dětí a nepovolaných osob.
- Po delší přepravě nebo delším skladování nářadí zkontrolujte, zda není poškozené.

9 Pomoc při poruchách

V případě poruch, které nejsou uvedené v této tabulce nebo které nemůžete odstranit sami, se obraťte na náš servis Hilti.

9.1 Pomoc při poruchách

Porucha	Možná příčina	Řešení
Nářadí se nerozběhne.	Síťové napájení je přerušené.	▶ Zapojte jiné elektrické zařízení a zkontrolujte funkci.
	Aktivovalo se elektronické blokování rozběhu po přerušení napájení.	▶ Nářadí vypněte a znovu zapněte.



Porucha	Možná príčina	Řešení
Nefunguje príklep.	Náradí je príliš studené.	► Nasadte vrtací kladivo na podklad a nechte ho běžet na volnoběh. V případě potřeby opakujte, dokud příklepový mechanismus nezačne pracovat.
Kombinované kladivo nemá plný výkon.	Prodlužovací kabel má příliš malý průřez.	► Použijte prodlužovací kabel s dostatečným průřezem.
	Zdroj napájení má příliš malé napětí.	► Připojte kombinované kladivo k jinému zdroji napájení.
Vrták se neotáčí.	Volič funkcí nezaskočil nebo je v poloze „sekání“ T nebo „polohování sekáče“ \rightarrow .	► Nastavte volič funkcí do polohy „vrtání s příklepem“ IT .
Vrták nelze uvolnit ze zajištění.	Upínání nástroje není zatažené úplně dozadu.	► Zatáhněte aretaci nástroje až nadoraz dozadu a vyjměte nástroj.
	Postranní rukojeť není správně namontována.	► Povolte postranní rukojeť a namontujte ji správně tak, aby upínací pásek a postranní rukojeť zaskočily v prohlubni.
Po výměně uhlíků svítí servisní ukazatel.	Kontakty ještě nejsou zabroušené.	► Nechte uhlíky běžet na volnoběh bez přerušení minimálně 1 minutu.

10 Likvidace

Náradí **Hilti** je vyrobené převážně z recyklovatelných materiálů. Předpokladem pro recyklaci materiálů je jejich řádné třídění. V mnoha zemích odebírá **Hilti** staré náradí k recyklaci. Informujte se v servisu **Hilti** nebo u prodejního poradce.



- Nevyhazujte elektrické náradí, elektronická zařízení a akumulátory do smíšeného odpadu!

11 RoHS (směrnice o omezení používání nebezpečných látek)

Pod následujícím odkazem najdete tabulku s nebezpečnými látkami: qr.hilti.com/r4902202. Odkaz na tabulku RoHS najdete na konci této dokumentace jako QR kód.

12 Záruka výrobce

- V případě otázek ohledně záručních podmínek se obraťte na místního partnera **Hilti**.

Originální návod na obsluhu

1 Informácie o návode na obsluhu

1.1 O tomto návode na obsluhu

- Pred uvedením do prevádzky si prečítajte tento návod na obsluhu. Je to predpokladom na bezpečnú prácu a bezproblémovú manipuláciu.
- Dodržujte bezpečnostné pokyny a varovania v návode na obsluhu a na výrobku.
- Tento návod na obsluhu uchovávajte vždy s výrobkom a ďalším osobám odovzdávajte výrobok iba s týmto návodom na obsluhu.



1.2 Vysvetlenie značiek

1.2.1 Výstražné upozornenia

Výstražné upozornenia varujú pred rizikami pri zaobchádzaní s výrobkom. Používajú sa nasledujúce signálne slová:

NEBEZPEČENSTVO

NEBEZPEČENSTVO !

- ▶ Na označenie bezprostredne hroziaceho nebezpečenstva, ktoré môže spôsobiť ťažký úraz alebo smrť.

VAROVANIE

VAROVANIE !

- ▶ Označenie možného hroziaceho nebezpečenstva, ktoré môže viesť k ťažkým poraneniam alebo usmrteniu.

POZOR

POZOR !

- ▶ Označenie novej nebezpečnej situácie, ktorá môže viesť k telesným poraneniam alebo k vecným škodám.

1.2.2 Symboly v návode na používanie

V tomto návode na používanie sa používajú nasledujúce symboly:

	Dodržiavajte návod na používanie
	Upozornenia týkajúce sa používania a iné užitočné informácie
	Zaobchádzanie s recyklovateľnými materiálmi
	Elektrické zariadenia a akumulátory nevyhadzujte do komunálneho odpadu

1.2.3 Symboly na obrázkoch

Na vyobrazeniach sa používajú nasledujúce symboly:

	Tieto čísla odkazujú na príslušné vyobrazenie na začiatku tohto návodu na používanie.
	Číslovanie na obrázkoch upozorňuje na dôležité pracovné kroky alebo konštrukčné prvky dôležité pre pracovné kroky. V texte sú tieto pracovné kroky alebo komponenty označené príslušnými číslami, napr. (3) .
	Číslo pozícií sa používajú v obrázku Prehľad a odkazujú na čísla legendy v odseku Prehľad výrobkov .
	Tento symbol by mal u vás vzbudiť mimoriadnu pozornosť pri zaobchádzaní s výrobkom.

1.3 Symboly na produktoch

1.3.1 Symboly na výrobku

Na výrobku sa používajú nasledujúce symboly:

	Vrtanie s príklepom (vrtanie s funkciou kladiva)
	Sekanie
	Nastavenie polohy sekáča
	Trieda ochrany II (dvojitá izolácia)
	Otáčky za minútu



n ₀	Menovité voľnobežné otáčky
∅	Priemer
•)))	Bezdrôtový prenos údajov

1.4 Informácie o výrobku

Výrobky sú určené pre profesionálneho používateľa a smie ich obsluhovať, vykonávať údržbu a opravovať iba autorizovaný, výškolený personál. Tento personál musí byť špeciálne poučený o vznikajúcich rizikách a nebezpečenstve. Výrobok a jeho pomocné prostriedky sa môžu stať zdrojom nebezpečenstva v prípade, že s nimi bude manipulovať personál bez vzdelania, neodborným spôsobom alebo ak sa nebudú používať v súlade s určením.

Typové označenie a sériové číslo sú uvedené na typovom štítku.

- Poznajte si sériové číslo do nasledujúcej tabuľky. Údaje výrobku budete potrebovať pri dopytoch adresovaných nášmu zastúpeniu alebo servisu.

Údaje o výrobku

Kombinované kladivo	TE 50-AVR
Generácia	03
Sériové číslo	

1.5 Vyhlásenie o zhode

Na vlastnú zodpovednosť vyhlasujeme, že tu opísaný výrobok sa zhoduje s nasledujúcimi smernicami a normami. Vyobrazenie vyhlásenia o zhode nájdete na konci tejto dokumentácie.

Technické dokumentácie sú uložené tu:

Hilti Entwicklungsgesellschaft mbH | Zulassung Geräte | Hiltistraße 6 | 86916 Kaufering, DE

2 Bezpečnosť

2.1 Všeobecné bezpečnostné pokyny a upozornenia pre elektrické náradie

⚠ VÝSTRAHA Prečítajte si všetky bezpečnostné upozornenia, pokyny, obrázky a technické údaje týkajúce sa tohto elektrického náradia. Nedbalosť pri dodržiavaní uvedených pokynov a pokynov môže mať za následok úraz elektrickým prúdom, požiar a/alebo závažné poranenia.

Všetky bezpečnostné upozornenia a pokyny si uschovajte pre budúcu potrebu.

Pojem "elektrické náradie" uvedený v bezpečnostných upozorneniach sa vzťahuje na sieťové elektrické náradie (náradie so sieťovým káblom) alebo na akumulátorové elektrické náradie (bez sieťového kábla).

Bezpečnosť na pracovisku

- **Na pracovisku udržiavajte čistotu a dbajte na dostatočné osvetlenie.** Neporiadok na pracovisku a neosvetlené časti pracoviska môžu viesť k úrazom.
- **Nepracujte s elektrickým náradím vo výbušnom prostredí, v ktorom sa nachádzajú horľavé kvapaliny, plyny alebo prach.** Elektrické náradie vytvára iskry, ktoré môžu spôsobiť vznietenie prachu alebo výparov.
- **Pri používaní elektrického náradia dbajte na bezpečnú vzdialenosť detí a iných osôb.** Pri odpuťaní pozornosti od práce môžete stratiť kontrolu nad náradím.

Elektrická bezpečnosť

- **Pripájacia zástrčka elektrického náradia musí byť vhodná do danej zásuvky. Zástrčka sa nesmie žiadnym spôsobom meniť či upravovať. Spolu s uzemneným elektrickým náradím nepoužívajte žiadne zástrčkové adaptéry.** Nezmenené zástrčky a vhodné zásuvky znižujú riziko úrazu elektrickým prúdom.
- **Zabráňte kontaktu tela s uzemnenými povrchmi ako sú rúry, radiátory alebo vykurovacie telesá, sporáky a chladničky.** Pri uzemnení vášho tela hrozí zvýšené riziko úrazu elektrickým prúdom.
- **Chráňte elektrické náradie pred dažďom či vlhkosťou.** Vniknutie vody do elektrického náradia zvyšuje riziko úrazu elektrickým prúdom.
- **Pripojovací kábel nepoužívajte na účely, na ktoré nie je určený, napr. na prenášanie, zavesenie elektrického náradia či na vyťahovanie zástrčky zo zásuvky. Pripojovací kábel držte v bezpečnej vzdialenosti od tepla, oleja, ostrých hrán alebo pohyblivých častí.** Poškodené alebo spletené pripojovacie káble zvyšujú riziko úrazu elektrickým prúdom.



- ▶ **Pri práci s elektrickým náradím vo vonkajšom prostredí používajte iba predlžovacie káble vhodné aj do vonkajšieho prostredia.** Používanie predlžovacieho kábla vhodného do vonkajšieho prostredia znižuje riziko úrazu elektrickým prúdom.
- ▶ **Pokiaľ sa nemožno vyhnúť prevádzkovaní elektrického náradia vo vlhkom prostredí, použite prúdový chránič.** Použitie prúdového chrániča znižuje riziko úrazu elektrickým prúdom.

Bezpečnosť osôb

- ▶ **Pri práci buďte pozorní, dávajte pozor na to, čo robíte a pri práci s elektrickým náradím postupujte s rozvahou. Elektrické náradie nepoužívajte vtedy, keď ste unavení alebo pod vplyvom drog, alkoholu alebo liekov.** Aj moment nepozornosti pri používaní elektrického náradia môže viesť k závažným poraneniam.
- ▶ **Noste prostriedky osobnej ochrannej výbavy a vždy používajte ochranné okuliare.** Nosenie osobnej ochrannej výbavy, ako je maska proti prachu, bezpečnostná obuv s protišmykovou podrážkou, ochranná prilba alebo chrániče sluchu (podľa druhu a použitia elektrického náradia), znižuje riziko poranení.
- ▶ **Zabráňte neúmyselnému uvedeniu do prevádzky. Pred pripojením na elektrické napájanie a/alebo pripojením akumulátora, pred uchopením alebo prenášaním sa uistite, že elektrické náradie je vypnuté.** Ak máte pri prenášaní elektrického náradia prst na spínači alebo ak pripojíte zapnuté náradie na elektrické napájanie, môže to viesť k vzniku úrazov a nehôd.
- ▶ **Pred zapnutím elektrického náradia odstráňte z náradia nastavovacie nástroje alebo kľúče na skrutky.** Nástroj alebo kľúč v otáčajúcej sa časti náradia môže spôsobiť úrazy.
- ▶ **Vyhýbajte sa neprirodzenej polohe a držaniu tela. Pri práci zabezpečte stabilný postoj a neustále udržiavajte rovnovahu.** Budete tak môcť elektrické náradie v neočakávaných situáciách lepšie kontrolovať.
- ▶ **Noste vhodný odev. Nenoste voľný odev alebo šperky. Vlasy, odev a rukavice udržiavajte mimo pohybujúcich sa dielov.** Voľný odev, šperky alebo dlhé vlasy sa môžu zachytiť o pohybujúce sa diely.
- ▶ **Ak je možné namontovať zariadenia na odsávanie a zachytávanie prachu, presvedčte sa, že tieto zariadenia sú pripojené a používajú sa správne.** Používanie zariadenia na odsávanie prachu môže znížiť ohrozenia spôsobené prachom.
- ▶ **Neuspokojte sa pocitom falošnej bezpečnosti a nekonajte v rozpore s bezpečnostnými pravidlami pre elektrické náradie, aj keď máte dostatok skúseností s používaním elektrického náradia.** Nedbalé konanie sa môže v zlomkoch sekundy zmeniť na ťažký úraz.

Používanie a starostlivosť o elektrické náradie

- ▶ **Náradie/zariadenie/prístroj nepreťažujte.** Používajte vhodné elektrické náradie určené na prácu, ktorú vykonávate. Vhodné elektrické náradie umožňuje lepšiu a bezpečnejšiu prácu v uvedenom rozsahu výkonu.
- ▶ **Elektrické náradie s poškodeným vypínačom nepoužívajte.** Náradie, ktoré sa nedá zapnúť alebo vypnúť je nebezpečné a treba ho dať opraviť.
- ▶ **Skôr než budete náradie nastavovať, meniť časti jeho príslušenstva alebo než ho odložíte, vytiahnite sieťovú zástrčku zo zásuvky a/alebo vyberte odnímateľný akumulátor.** Toto bezpečnostné opatrenie zabraňuje neúmyselnému spusteniu elektrického náradia.
- ▶ **Nepoužívané elektrické náradie odložte na miesto chránené pred prístupom detí. Nedovoľte používať náradie osobám, ktoré s ním nie sú oboznámené alebo si neprečítali tieto inštrukcie.** Elektrické náradie je pre neskúsených používateľov nebezpečné.
- ▶ **Elektrické náradie a príslušenstvo starostlivo udržiavajte. Skontrolujte, či pohyblivé časti náradia bezchybne fungujú a nezasekávajú sa, či nie sú niektoré časti zlomené alebo poškodené v takom rozsahu, že to ovplyvňuje fungovanie elektrického náradia. Poškodené časti dajte pred použitím náradia opraviť.** Mnohé úrazy sú zapríčinené nesprávnou a nedostatočne udržiavaným elektrickým náradím.
- ▶ **Rezacie nástroje udržiavajte ostré a čisté.** Starostlivo ošetrované rezacie nástroje s ostrými reznými hranami sa zasekávajú menej a ľahšie sa vedú.
- ▶ **Elektrické náradie, príslušenstvo, vkladacie nástroje atď. používajte v súlade s týmito pokynmi. Zohľadnite pri tom pracovné podmienky a vykonávanú činnosť.** Používanie elektrického náradia na iné než určené použitie môže viesť k nebezpečným situáciám.
- ▶ **Rukoväti a plochy udržiavajte suché, čisté a bez oleja alebo tuku.** Klzké rukoväti a plochy neumožňujú bezpečnú obsluhu a kontrolu elektrického náradia v nepredvídateľných situáciách.

Servis

- ▶ **Elektrické náradie nechajte opravovať iba kvalifikovaným odborným personálom a iba s použitím originálnych náhradných dielov.** Tým sa zabezpečí, že zostane zachovaná bezpečnosť elektrického náradia.



2.2 Bezpečnostné upozornenia pre kladivá

Bezpečnostné upozornenia pre všetky práce

- ▶ **Používajte chrániče sluchu.** Pôsobenie hluku môže spôsobiť stratu sluchu.
- ▶ **Používajte prídavné rukoväti dodané s náradím.** Strata kontroly nad náradím môže viesť k poraneniám.
- ▶ **Keď vykonávate práce, pri ktorých sa môže vkladací nástroj dostať do styku so skrytými elektrickými vedeniami alebo s vlastným sieťovým káblom náradia, držte náradie za izolované úchopové plochy.** Kontakt s elektrickým vedením pod napätím spôsobí, že aj kovové časti náradia budú pod napätím, a tým môžu viesť k úrazu elektrickým prúdom.

Bezpečnostné upozornenia pre používanie dlhého vrtáka

- ▶ **Začnite vrtáť vždy s nižšími otáčkami, kým sa vrták nedostane do styku s obrobkom.** Pri vyšších otáčkach sa môže vrták ľahko ohnúť, keď sa môže voľne otáčať bez kontaktu s obrobkom a môže tak spôsobiť poranenia.
- ▶ **Nevyvíjajte nadmerný tlak a len v pozdĺžnom smere k vrtáku.** Vrtáky sa môžu ohnúť a zlomiť alebo spôsobiť stratu kontroly a poranenia.

2.3 Ďalšie bezpečnostné upozornenia

Bezpečnosť osôb

- ▶ Produkt používajte len v technicky bezchybnom stave.
- ▶ Na náradí nikdy nevykonávajte úpravy alebo zmeny.
- ▶ Pri prerážacích prácach zistite oblasť prác aj na protiľahlej strane. Vybúrané časti môžu vypadnúť a/alebo spadnúť a poraniť iné osoby.
- ▶ Náradie vždy pevne držte za určené rukoväti, obidvomi rukami. Rukoväti udržiavajte suché a čisté.
- ▶ Vonku vždy uchopte bočnú rukoväť. Pri vrtaní a skrútkovaní sa môže náradie vychýliť do bočnej strany.
- ▶ Zabráňte kontaktu s rotujúcimi časťami – nebezpečenstvo poranenia!
- ▶ Počas používania náradia noste vhodné ochranné okuliare, prilbu, ochranu sluchu, ochranné rukavice a ľahkú ochranu dýchacích ciest.
- ▶ Aj pri výmene nástrojov noste ochranné rukavice. Dotknutie sa vkladacieho nástroja môže viesť k rezným poraneniam a k vzniku popálenín.
- ▶ Používajte ochranu očí. Odlamujúci sa materiál môže poraniť telo a oči.
- ▶ Pred začatím práce si ujasnite triedu nebezpečnosti prachu, ktorý vzniká pri práci. Používajte vysávač na stavebný prach s oficiálne schválenou ochrannou klasifikáciou, zodpovedajúcou vašim lokálnym ustanoveniam o ochrane proti prachu.
- ▶ Podľa možnosti používajte odsávanie prachu a vhodný mobilný vysávač. Prach z takých materiálov, ako je náter s obsahom olova, prach z niektorých druhov dreva, betónu/muriva/horniny s obsahom kremeňa a minerálov, ako aj kovu, môže byť zdraviu škodlivý.
- ▶ Zabezpečte dobré vetranie pracoviska a prípadne používajte ochrannú masku vhodnú pre príslušný prach. Dotýkanie sa alebo vdychovanie takéhoto prachu môže vyvolať alergické reakcie a/alebo ochorenia dýchacích ciest používateľa alebo osôb nachádzajúcich sa v blízkosti. Určitý prach, napr. prach z dubového alebo bukového dreva, sa považuje za rakovinotvorný, predovšetkým v spojení s prísadami na úpravu dreva (chromát, prostriedky na ochranu dreva). S materiálom obsahujúcim azbest smú manipulovať len odborníci.
- ▶ Robte si prestávky a cvičenia na lepšie prekrvenie prstov. Pri dlhšej práci sa môžu v dôsledku vibrácií vyskytnúť poruchy na cievach alebo nervových systémoch na prstoch, rukách alebo kĺboch rúk.

Elektrická bezpečnosť

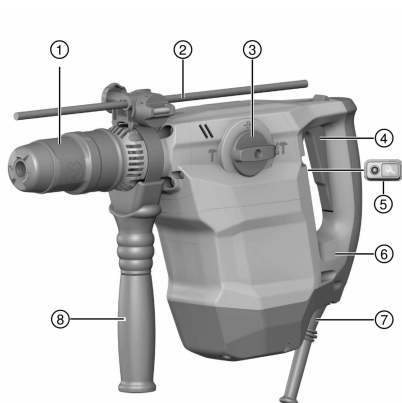
- ▶ Pred začiatkom prác skontrolujte pracovisko ohľadne skrytých elektrických vedení, plynových a vodo-vodných potrubí. Vonkajšie kovové časti náradia môžu spôsobiť úraz elektrickým prúdom v prípade náhodného poškodenia elektrického vedenia.

Starostlivé zaobchádzanie a používanie elektrického náradia

- ▶ Ak sa obrobok zablokuje, okamžite vypnite elektrické náradie. Náradie môže vybočiť.
- ▶ Skôr, než náradie odložíte, počkajte do jeho úplného zastavenia.



3.1 Prehľad výrobku 1



- ① Upínanie nástrojov
- ② Hĺbkový doraz
- ③ Prepínač voľby funkcií
- ④ Ovládací spínač
- ⑤ Servisný indikátor
- ⑥ Sieťový kábel
- ⑦ Bočná rukoväť

3.2 Vyhotovenie s pripojiteľným káblom 2

- ① Aretačné tlačidlo
- ② Prípojka na elektrickom náradí
- ③ Sieťový kábel s kódovaným, rozpojiteľnou koncovkou

3.3 Používanie v súlade s určením

Opísaný výrobok je elektricky napájané kombinované kladivo s pneumatickým príklepom. Je určené na vrtanie do betónu, muríva, dreva a kovu. Výrobok možno zároveň používať na ľahšie až stredne ťažké sekacie práce do muríva a na úpravy betónu.

- ▶ Náradie sa smie používať výlučne s napájaním zo siete s napätím a frekvenciou, ktoré sú uvedené na typovom štítku.

3.4 Možné chybné používanie

- Tento produkt nie je vhodný na opracovávanie zdravie ohrozujúcich materiálov.
- Tento produkt nie je vhodný na prácu vo vlhkom prostredí.

3.5 Active Vibration Reduction

Výrobok je vybavený systémom Active Vibration Reduction (AVR), ktorý citeľne redukuje vibrácie.

3.6 Rýchlopúlnacie skľučovadlo (príslušenstvo)

Rýchlopúlnacie skľučovadlo umožňuje rýchlu výmenu nástroja bez použitia nástrojov. Určené je na nástroje s valcovou stopkou alebo šesťhranom, ktoré sa prevádzkujú v režime „bez príklepu“.

3.7 Servisná indikácia

Výrobok je vybavený servisnou indikáciou so svetelnou kontrolkou.

Stav	Význam
Servisná indikácia svieti	Uplynul čas, po ktorom treba vykonať servisný zásah.
Bliká servisná indikácia	Poškodenie výrobku. Kombinované kladivo dajte opraviť v servisnom stredisku Hilti .



3.8 Rozsah dodávky

Kombinované kladivo, bočná rukoväť, návod na používanie.

Ďalšie systémové výrobky, ktoré sú schválené pre váš výrobok, nájdete vo vašom **Hilti Store** alebo na stránke: www.hilti.group

4 Technické údaje

4.1 Kombinované kladivo



Menovité napätie, menovitý prúd, frekvenciu a/alebo menovitý príkon nájdete na typovom štítku špecifickom pre danú krajinu.

Pri prevádzkovaní na generátore alebo transformátore musí byť jeho výstupný (podávaný) výkon minimálne dvakrát taký vysoký ako je menovitý príkon, ktorý je uvedený na typovom štítku zariadenia. Prevádzkové napätie transformátora alebo generátora musí byť neustále v rozsahu +5 % a -15 % menovitého napätia zariadenia.

	TE 50-AVR
Hmotnosť podľa štandardu EPTA 01	6,1 kg
Teplota pri skladovaní	-20 °C ... 70 °C
Teplota okolia počas prevádzky	-17 °C ... 60 °C
Ø príklepového vrtáka	12 mm ... 32 mm
Ø vrtáka do dreva	6 mm ... 35 mm
Ø vrtáka do kovu	6 mm ... 13 mm

4.2 Hodnoty hluku a vibrácií podľa EN 62841

Hodnoty akustického tlaku a vibrácií uvedené v tomto návode boli namerané podľa normovanej metódy merania a dajú sa využiť na vzájomné porovnávanie elektrického náradia. Sú vhodné aj na predbežné posúdenie expozícií.

Uvedené údaje reprezentujú hlavné spôsoby použitia elektrického náradia. Ak sa však elektrické náradie používa na iné účely, s odlišnými pracovnými nástrojmi alebo nemá zabezpečenú dostatočnú údržbu, údaje sa môžu odlišovať. Tým sa môže podstatne zvýšiť miera pôsobenia v priebehu celého pracovného času.

Pri presnom odhadovaní expozícií by sa mal zohľadniť aj čas, kedy bolo náradie buď vypnuté, alebo síce spustené, no v skutočnosti sa nepoužívalo. Tým sa môže podstatne znížiť miera pôsobenia v priebehu celého pracovného času.

Prijmite dodatočné bezpečnostné opatrenia na ochranu obsluhujúcej osoby pred pôsobením hluku a/alebo vibrácií, ako sú napríklad: údržba elektrického náradia a vkladacích nástrojov, udržiavanie správnej teploty rúk, organizácia pracovných procesov.

Hodnoty emisií hluku

	TE 50-AVR
Úroveň akustického výkonu (L_{WA})	108 dB(A)
Neistota pri úrovni akustického výkonu (K_{WA})	3 dB(A)
Hladina akustického tlaku (L_{pA})	97 dB(A)
Neistota pri hladine akustického tlaku (K_{pA})	3 dB(A)

Celkové hodnoty vibrácií

	TE 50-AVR
Vŕtanie do kovov ($a_{h,D}$)	< 5 m/s ²
Vŕtanie do betónu s príklepom ($a_{h,HD}$)	8,8 m/s ²
Sekanie ($a_{h,Chsq}$)	7,1 m/s ²
Neistota pre uvedené hodnoty vibrácií (K)	1,5 m/s ²



5 Obsluha

5.1 Príprava práce

POZOR

Nebezpečenstvo poranenia! Neúmyselné spustenie výrobku.

- ▶ Skôr, než začnete nastavovať náradie alebo meniť časti jeho príslušenstva, vytiahnite sieťovú koncovku z elektrickej zásuvky.

Dodržiňte bezpečnostné pokyny a varovania v tejto dokumentácii a na produkte.

5.1.1 Montáž bočnej rukoväti

1. Otáčaním rukoväti uvoľnite držiak (upínací pás) bočnej rukoväti.
2. Posuňte držiak (upínací pás) cez skľučovadlo spredu až do určenej drážky.
3. Nastavte bočnú rukoväť do želanej polohy.
4. Otáčaním rukoväti upnite držiak (upínací pás) bočnej rukoväti.

5.1.2 Montáž hĺbkového dorazu (voliteľný)

1. Otáčaním rukoväti uvoľnite držiak (upínací pás) bočnej rukoväti.
2. Hĺbkový doraz zasuňte spredu do určených 2 vodiacich otvorov.
3. Otáčaním rukoväti upnite držiak (upínací pás) bočnej rukoväti.
 - ▶ Hĺbkový doraz je namontovaný. Na nastavenie hĺbky vrtu:
4. Otvorte skrutku na hĺbkovom doraze.
5. Hĺbkový doraz nastavte na požadovanú hĺbku vrtu.
6. Zatvorte skrutku na hĺbkovom doraze.

5.1.3 Vkládanie/vyberanie vkladacieho nástroja

POZOR

Nebezpečenstvo poranenia pracovným nástrojom! Pracovný nástroj môže byť horúci alebo môže mať ostré hrany.

- ▶ Pri výmene pracovného nástroja noste ochranné rukavice.

1. Vsúvací koniec vkladacieho nástroja mierne namažte.
2. Zasuňte vkladací nástroj až na doraz do upínania nástrojov a nechajte ho zaskočiť.
 - ▶ Výrobok je pripravený na činnosť.
3. Potiahnite zaistenie nástroja až na doraz smerom dozadu a vkladací nástroj vyberte.



Používajte iba originálny tuk od firmy **Hilti**. Použitie nevhodného tuku môže zapríčiniť poškodenia výrobku.

5.2 Práca


POZOR

Nebezpečenstvo poškodenia nesprávnou manipuláciou!

- ▶ Počas prevádzky neaktivujte spínač pre otáčanie smeru a/alebo voľbu funkcie.

Dodržiňte bezpečnostné pokyny a varovania v tejto dokumentácii a na produkte.

5.2.1 Vrtanie s príklepom (vrtanie s funkciou kladiva)

1. Nastavte prepínač voľby funkcií do polohy "Vrtanie s príklepom" .
2. Nasaďte vrták na podklad.
3. Stlačte ovládací spínač.
 - ▶ Výrobok sa rozbehne.



5.3 Nastavenie polohy sekáča 7

POZOR

Nebezpečenstvo poranenia! Strata kontroly nad smerom sekania.

- ▶ Nepracujte v polohe "Nastavenie polohy sekáča". Nastavte prepínač na voľbu funkcie na pozíciu "Sekanie" tak, aby sa zaistil.



Sekáč možno nastaviť do 24 rôznych polôh (v 15° krokoch). Táto funkcia umožňuje prácu s plochými a tvarovanými sekáčmi vždy v optimálnej polohe.

1. Nastavte prepínač voľby funkcií do polohy "Nastavenie polohy sekáča" →.
2. Sekáč natočte do požadovanej polohy.
3. Nastavte prepínač na voľbu funkcie do polohy "Sekanie" T tak, aby sa zaistil.
 - ▶ Výrobok je pripravený na činnosť.

5.3.1 Sekanie 8

- ▶ Nastavte prepínač voľby funkcií do polohy "Sekanie" T.

5.3.2 Zapnutie/vypnutie trvalého chodu 9



Vypínač môžete v režime sekania zaaretovať v zapnutom stave.

1. Aretačné tlačidlo trvalého chodu posuňte smerom dopredu.
2. Úplne stlačte vypínač.
 - ▶ Výrobok teraz pracuje v režime trvalej prevádzky.
3. Aretačné tlačidlo trvalého chodu posuňte smerom dozadu.
 - ▶ Výrobok sa vypne.

6 Zásuvný kábel

6.1 Prípojenie zásuvného sieťového kábla

POZOR

Nebezpečenstvo poranenia povrchovým prúdom, ak sú znečistené kontakty.

- ▶ Odpojiteľnú elektrickú koncovku spájajte s elektrickým náradím, len ak je čistá, suchá a ak nie je pod napätím.

1. Kódovanú odpojiteľnú elektrickú koncovku zasuňte do náradia až na doraz, musíte počuť zaskočiť aretáciu.
2. Sieťovú koncovku pripojte do zásuvky.

6.2 Odpojenie zásuvného sieťového kábla od elektrického náradia

1. Vytiahnite sieťovú koncovku zo zásuvky.
2. Stlačte aretačné tlačidlo a vytiahnite kódovanú, odpojiteľnú elektrickú sieťovú koncovku.
3. Vytiahnite sieťový kábel z náradia.

7 Starostlivosť a údržba/oprava

VAROVANIE

Nebezpečenstvo úrazu elektrickým prúdom! Vykonávanie údržby a opravy so zapojenou sieťovou zástrčkou môže viesť k závažným poraneniam a k popáleninám.

- ▶ Pred akoukoľvek údržbou a opravami vždy vytiahnite sieťovú zástrčku zo zásuvky!

Starostlivosť

- Pevne zachytenú nečistotu opatrne odstráňte.
- Vetracie štrbiny opatrne vyčistite suchou kefou.



- Kryt čistite len mierne navlhčenou handrou. Nepoužívajte žiadne prostriedky na ošetrovanie obsahujúce silikón, pretože tie môžu poškodiť plastové časti.

Údržba a oprava

VAROVANIE

Nebezpečenstvo zásahu elektrickým prúdom! Neodborné opravy na elektrických častiach môžu viesť k závažným poraneniam a popáleninám.

- ▶ Opravy elektrických častí smie vykonávať iba školený elektromechanik.
- Pravidelne kontrolujte všetky viditeľné časti a výskyt poškodení, ako aj bezchybné fungovanie ovládacích prvkov.
- V prípade poškodenia a/alebo poruchy funkcie výrobok nepoužívajte. Ihneď ho dajte opraviť v servise firmy **Hilti**.
- Po prácach spojených so starostlivosťou a udržiavaním náradia pripevnite všetky ochranné zariadenia a skontrolujte ich fungovanie.

Aby bola zaistená bezpečná prevádzka, používajte len originálne náhradné súčiastky a spotrebné materiály. Nami schválené náhradné súčiastky, spotrebné materiály a príslušenstvo pre váš výrobok nájdete vo vašom **Hilti Store** alebo na stránke: www.hilti.group.

8 Doprava a skladovanie

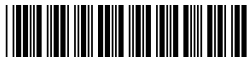
- Elektrické náradie neprenášajte s pripojeným nástrojom.
- Elektrické náradie vždy odkladajte s vytiahnutou sieťovou koncovkou.
- Náradie skladujte na suchom mieste a nedostupnom pre deti a nepovolane osoby.
- Elektrické náradie po dlhšej preprave alebo skladovaní skontrolujte pred použitím, či nie je poškodené.

9 Pomoc v prípade porúch

Pri výskyte takých porúch, ktoré nie sú uvedené v tejto tabuľke, alebo ktoré nedokážete odstrániť sami, sa obráťte na náš servis **Hilti**.

9.1 Pomoc v prípade porúch

Porucha	Možná príčina	Riešenie
Náradie sa nerozbehne.	Sieťové napájanie prerušené	▶ Zapojte iné elektrické zariadenie a skontrolujte jeho fungovanie.
	Elektronické blokovanie rozbehu sa aktivovalo po prerušení dodávky elektrickej energie.	▶ Vypnite a opäť zapnite náradie.
Žiadny príklep.	Náradie je príliš studené.	▶ Postavte vrtacie kladivo na podklad a nechajte ho spustené na voľnobežných otáčkach. Ak je to potrebné, opakujte postup dovtedy, kým nebude príklepový mechanizmus pracovať.
Kombinované kladivo nedosahuje plný výkon.	Predžhovací kábel nedostatočný prierez.	▶ Použite predžhovací kábel s dostatočným prierezom.
	Napájacie napätie je príliš nízke.	▶ Kombinované kladivo pripojte na iný zdroj napájania.
Vrták sa neotáča.	Prepínač voľby funkcií nezapadol alebo je v polohe "Sekanie" alebo "Nastavenie polohy sekáča" .	▶ Nastavte prepínač na voľbu funkcie na pozíciu "Vrtanie s príklepom" .
Vrták sa nedá vybrať zo skľučovadla.	Upínanie nástrojov nebolo stiahnuté úplne dozadu.	▶ Potiahnite zaistovanie nástrojov až na doraz smerom dozadu a vyberte nástroj.



Porucha	Možná príčina	Riešenie
Vrták sa nedá vybrať zo skľučovadla.	Postranná rukoväť nie je správne namontovaná.	► Postrannú rukoväť povoľte a namontujte správne, aby upínacia páska a postranná rukoväť zapadli do priehlbiny.
Servisný indikátor svieti po výmene uhlíkových kefky.	Kontakty ešte nie sú zabrúsené.	► Nechajte uhlíkové kefky zabehnúť pri voľnobežných otáčkach aspoň 1 minútu bez prerušenia.

10 Likvidácia

Nástroje značky **Hilti** je z veľkej časti vyrobené z recyklovateľných materiálov. Predpokladom na opakované využitie recyklovateľných materiálov je ich správne separovanie. V mnohých krajinách firma **Hilti** odoberie vaše staré nástroje na recykláciu. Opýtajte sa na to v zákazníckom servise firmy **Hilti** alebo u svojho obchodného poradcu.



- Elektrické prístroje, elektronické zariadenia a akumulátory nedávajte do domáceho odpadu!

11 RoHS (smernica o obmedzení používania určitých látok v elektrických a elektronických zariadeniach)

Pod nasledujúcim odkazom nájdete tabuľku nebezpečných látok: qr.hilti.com/r4902202.

Odkaz na tabuľku RoHS nájdete na konci tejto dokumentácie ako QR kód.

12 Záruka výrobcu

- Ak máte akékoľvek otázky týkajúce sa záručných podmienok, obráťte sa, prosím, na vášho lokálneho partnera spoločnosti **Hilti**.

Eredeti használati utasítás

1 A használati utasításra vonatkozó adatok

1.1 A használati utasításhoz

- Üzembe helyezés előtt feltétlenül olvassa el a használati utasítást. Ez a biztonságos munkavégzés és a hibamentes kezelés előfeltétele.
- Vegye figyelembe a használati utasításban és a terméken található biztonsági utasításokat és figyelmeztetéseket.
- Ezt a használati utasítást mindig tárolja a termék közelében, és a terméket csak ezzel a használati utasítással együtt adja tovább harmadik személynek.

1.2 Jelmagyarázat

1.2.1 Figyelmeztetések

A figyelmeztetések a termék használata során előforduló veszélyekre hívják fel a figyelmet. A következő figyelmeztetéseket használjuk:

VESZÉLY

VESZÉLY !

- Súlyos testi sérüléshez vagy halálhoz vezető közvetlen veszély esetén.

FIGYELMEZTETÉS

FIGYELMEZTETÉS !

- Ezzel a szóval hívjuk fel a figyelmet egy olyan lehetséges veszélyre, amely súlyos személyi sérüléshez vagy halálhoz vezethet.



VIGYÁZAT

VIGYÁZAT !

- ▶ Ezzel a szóval hívjuk fel a figyelmet egy lehetséges veszélyhelyzetre, amely személyi sérüléshez vagy anyagi kárhoz vezethet.

1.2.2 Szimbólumok a használati utasításban

A jelen használati utasítás a következő szimbólumokat használja:

	Tartsa be a használati utasítást
	Alkalmazási útmutatók és más hasznos tudnivalók
	Újrahasznosítható anyagokkal való bánásmód
	Az elektromos gépeket és akkukat ne dobja a háztartási szeméttbe

1.2.3 Az ábrákon használt szimbólumok

Az ábrákon a következő szimbólumokat használjuk:

	Ezek a számok a jelen használati utasítás elején található ábrákra vonatkoznak.
	Az ábrák számozása a fontos munkalépésekre vagy fontos részegységekre utal. A szövegben ezeket a munkalépéseket vagy részegységeket megfelelő számokkal emelik ki, pl. (3) .
	Az áttekintő ábrában használt pozíciószámok a termék áttekintésére szolgáló szakasz jelmagyarázatában lévő számokra utalnak.
	Ez a jel hívja fel a figyelmét arra, hogy a termék használata során különös odafigyeléssel kell eljárnia.

1.3 Termékhez kötődő szimbólumok

1.3.1 Szimbólumok a terméken

A következő szimbólumokat használjuk a terméken:

	Ütvefúrás (kalapácsfúrás)
	Vésés
	Véső pozicionálása
	II. érintésvédelmi osztály (kettős szigetelés)
	Fordulat percenként
	Névleges üresjáratú fordulatszám
	Átmérő
	Vezeték nélküli adatátvitel

1.4 Termékinformációk

A **HILTI** termékeket kizárólag szakember általi használatra szánták és a gépet csak engedéllyel rendelkező, szakképzett személy használhatja, javíthatja. Ezt a személyt minden lehetséges kockázati tényezőről tájékoztatni kell. A termék és tartozékai könnyen veszélyt okozhatnak, ha nem képzett személy dolgozik velük, vagy nem rendeltetésszerűen használják őket.

A típusjelölés és a sorozatszám a típustáblán található.



- ▶ Jegyezze fel a sorozatszámot a következő táblázatba. Amennyiben kérdéssel fordul a képviselőnkhöz vagy a szervizhez, szüksége lesz ezekre a termékadatokra.

Termékadatok

Kombikalapács	TE 50-AVR
Generáció	03
Sorozatszám	

1.5 Megfelelőségi nyilatkozat

Kizárólagos felelősségünk tudatában kijelentjük, hogy ez a termék megfelel az érvényben lévő irányelveknek és szabványoknak. A megfelelőségi nyilatkozat másolatát a dokumentáció végén találja.

A műszaki dokumentáció helye:

Hilti Entwicklungsgesellschaft mbH | Zulassung Geräte | Hiltistraße 6 | 86916 Kaufering, DE

2 Biztonság

2.1 Általános biztonsági tudnivalók az elektromos kéziszerszámokhoz

⚠ FIGYELMEZTETÉS Olvasson el minden biztonsági tudnivalót és utasítást, illusztrált anyagot és műszaki adatot, amelyet ehhez az elektromos kéziszerszámhoz mellékeltek. Az alábbi biztonsági tudnivalók és utasítások betartásának elmulasztása áramütéshez, tűzhez és/vagy súlyos testi sérüléshez vezethet.

Őrizzen meg minden biztonsági tudnivalót és utasítást a jövőbeni használatához.

A biztonsági utasításokban használt „elektromos kéziszerszám” fogalom hálózatról üzemelő elektromos kéziszerszámokra (tápkábelrel együtt érte) és akkumulátoros elektromos kéziszerszámokra (tápkábel nélküli) vonatkozik.

Munkahelyi biztonság

- ▶ **Tartsa tisztán a munkahelyét és jól világítsa meg.** Rendetlen munkahelyek és megvilágítatlan munkaterületek balesetekhez vezethetnek.
- ▶ **Ne dolgozzon az elektromos kéziszerszámmal olyan robbanásveszélyes környezetben, ahol éghető folyadékok, gázok vagy porok vannak.** Az elektromos kéziszerszámok szikrákat bocsáthatnak ki, amelyek meggyújthatják a port vagy a gyúlékony gőzöket.
- ▶ **Tartsa távol a gyerekeket és az idegen személyeket a munkahelytől, ha az elektromos kéziszerszámot használja.** Ha elvonják a figyelmét a munkáról, könnyen elvesztheti az uralmát a berendezés felett.

Elektromos biztonsági előírások

- ▶ **Az elektromos kéziszerszám csatlakozódugójának illeszkednie kell a dugaszolóaljzatba. A csatlakozódugót semmilyen módon sem szabad megváltoztatni. Védőföldeléssel ellátott elektromos kéziszerszámokhoz ne használjon csatlakozóadapert.** Az eredeti csatlakozódugó és a hozzá illeszkedő csatlakozóaljzat csökkenti az áramütés kockázatát.
- ▶ **Ne érjen hozzá földelt felületekhez, például csövekhez, fűtőtestekhez, tűzhelyekhez és hűtőszekrényekhez.** Az áramütés veszélye megnövekszik, ha a teste le van földelve.
- ▶ **Tartsa távol az elektromos kéziszerszámokat az esőtől és a nedvesség hatásaitól.** Ha víz hatol be az elektromos kéziszerszámba, az növeli az áramütés kockázatát.
- ▶ **Ne használja a csatlakozókábelt a rendeltetésétől eltérő célokra, vagyis az elektromos kéziszerszámot soha ne hordozza vagy akassza fel a kábelnél fogva, és soha ne húzza ki a hálózati csatlakozódugót a kábelnél fogva. Tartsa távol a csatlakozókábelt hőforrásoktól, olajtól, éles élektől és sarkaktól, mozgó alkatrészekről.** A sérült vagy összetekert csatlakozókábel növeli az áramütés kockázatát.
- ▶ **Ha az elektromos kéziszerszámmal szabadban dolgozik, akkor csak a szabadban való használatra engedélyezett hosszabbítókábel használjon.** A kültérre is alkalmas hosszabbítókábel használata csökkenti az áramütés kockázatát.
- ▶ **Használjon hibaáram-védőkapcsolót, ha az elektromos kéziszerszám nedves környezetben történő üzemeltetése nem kerülhető el.** A hibaáram-védőkapcsoló használata csökkenti az áramütés kockázatát.

Személyi biztonsági előírások

- ▶ **Munka közben mindig figyeljen, ügyeljen arra, amit csinál, és meggondoltan dolgozzon az elektromos kéziszerszámmal.** Ne használja az elektromos kéziszerszámot, ha fáradt, illetve



ha kábítószert, alkoholt vagy gyógyszert használ, az elektromos kéziszerszámmal végzett munka közben már egy pillanatnyi figyelmetlenség is komoly sérülésekhez vezethet.

- ▶ **Viseljen személyi védőfelszerelést, és mindig viseljen védőszemüveget.** Az elektromos kéziszerszám alkalmazásának megfelelő személyi védőfelszerelések, úgymint porvédő maske, csúszásbiztos védőcipő, védősapka és fülvédő használata csökkenti a személyi sérülések kockázatát.
- ▶ **Kerülje az elektromos kéziszerszám akaratlan üzembe helyezését. Mielőtt az elektromos kéziszerszámot az elektromos hálózatra és/vagy az akkumulátorra csatlakoztatja, vagy felveszi, ill. szállítja, győződjön meg arról, hogy a gép ki van kapcsolva.** Ha az elektromos kéziszerszám felemelése közben az újjat a kapcsolón tartja, vagy ha a gépet bekapcsolts állapotban csatlakoztatja az áramforráshoz, az balesethez vezethet.
- ▶ **Az elektromos kéziszerszám bekapcsolása előtt feltétlenül távolítsa el a beállító szerszámokat vagy csavarkulcsokat.** Az elektromos kéziszerszám forgó részeiben felejtett beállító szerszám vagy csavarkulcs sérüléseket okozhat.
- ▶ **Kerülje el a normálístól eltérő testtartást. Ügyeljen arra, hogy mindig biztosan álljon és megtartsa az egyensúlyát.** Így az elektromos kéziszerszám felett váratlan helyzetekben is jobban tud uralkodni.
- ▶ **Viseljen megfelelő munkaruhát. Ne viseljen bő ruhát vagy ékszereket. Tartsa távol a haját, a ruháját és a kesztyűjét a mozgó részekről.** A bő ruhát, az ékszereket és a hosszú haját a mozgó alkatrészek magukkal rántathatják.
- ▶ **Ha az elektromos kéziszerszámra fel lehet szerelni a por elszívásához és összegyűjtéséhez szükséges berendezéseket, ellenőrizze, hogy azok megfelelő módon hozzá vannak kapcsolva a szerszámhoz, és rendeltetésüknek megfelelően működnek.** Porelszívó egység használata csökkenti a munka során keletkező por veszélyes hatását.
- ▶ **Ne ringassa magát hamis biztonságérzetbe, és ne hagyja figyelmen kívül az elektromos kéziszerszám biztonsági előírásait, akkor sem, ha az elektromos kéziszerszámot hosszú ideje használja, és ezáltal jól ismeri.** A figyelmetlen kezelés a másodperc tört része alatt súlyos sérülésekhez vezethet.

Az elektromos kéziszerszám használata és kezelése

- ▶ **Ne terhelje túl a gépet. Munkájához csak az arra szolgáló elektromos kéziszerszámot használja.** A megfelelő elektromos kéziszerszámmal a megadott teljesítménytartományon belül jobban és biztonságosabban lehet dolgozni.
- ▶ **Ne használjon olyan elektromos kéziszerszámot, amelynek a kapcsolója elromlott.** Egy olyan elektromos kéziszerszám, amelyet nem lehet sem be-, sem kikapcsolni, veszélyes, és meg kell javíttatni.
- ▶ **A gép beállítása, a tartozékok cseréje vagy a gép lehelyezése előtt húzza ki a csatlakozódugót a csatlakozóaljzatból és/vagy vegye ki a kivehető akkut a gépből.** Ez az elővigyázatossági intézkedés meggátolja a gép szándékolatlan üzembe helyezését.
- ▶ **A használaton kívüli elektromos kéziszerszámokat olyan helyen tárolja, ahol azokhoz gyerekek nem férhetnek hozzá. Ne hagyja, hogy olyan személyek használják az elektromos kéziszerszámot, akik nem ismerik a szerszámot, vagy nem olvasták el ezt az útmutatót.** Az elektromos kéziszerszámok veszélyesek, ha azokat gyakorlatlan személyek használják.
- ▶ **Mindig gondosan tartsa karban az elektromos kéziszerszámot és a tartozékokat. Ellenőrizze, hogy a mozgó alkatrészek kifogástalanul működnek-e, nincsenek-e beszorulva, és nincsenek-e eltörve vagy megrongálódva olyan alkatrészek, amelyek hátrányosan befolyásolhatják az elektromos kéziszerszám működését. Használat előtt javíttassa meg a gép megrongálódott alkatrészeit.** Sok balesetnek a rosszul karbantartott elektromos kéziszerszám az oka.
- ▶ **Tartsa tisztán és élesen a vágószerszámokat.** Az éles vágóélekkel rendelkező és gondosan ápolott vágószerszámok ritkábban ékelődnek be, és azokat könnyebben lehet vezetni és irányítani.
- ▶ **Az elektromos kéziszerszámokat, tartozékokat, betétszerszámokat stb. a jelen utasítások figyelembevételével használja. Vegye figyelembe a munkafeltételeket és a kivitelezendő munka sajátosságait.** Az elektromos kéziszerszám eredeti rendeltetésétől eltérő célokra való alkalmazása veszélyes helyzetekhez vezethet.
- ▶ **A markolatot és fogófelületeket tartsa száraz, tiszta, olaj- és zsírmentes állapotban.** A csúszós markolatok és fogófelületek nem teszik lehetővé az elektromos kéziszerszám biztonságos üzemeltetését és ellenőrzését az előre nem látható helyzetekben.

Szerviz

- ▶ **Az elektromos kéziszerszámot csak szakképzett személyzet javíthatja, kizárólag eredeti pótalkatrészek felhasználásával.** Ez biztosítja, hogy az elektromos kéziszerszám biztonságos marad.

2.2 Biztonsági tudnivalók kalapácsolóhoz

Biztonsági tudnivalók minden munkához

- ▶ **Viseljen fülvédőt.** A zaj halláskárosodáshoz vezethet.



- ▶ **Használja a géppel együtt szállított kiegészítő fogantyút.** A gép feletti ellenőrzés elvesztése sérülést okozhat.
- ▶ **A gépet a fogantyú szigetelt felületénél fogja meg, ha olyan munkát végez, amelynek során a betétszerszám rejtett elektromos vezetőket vagy a saját elektromos csatlakozókábelét találhatja el.** Ha a gép elektromos feszültséget vezető vezetékhez ér, akkor a gép fémrészei feszültség alá kerülhetnek és ez elektromos áramütéshez vezethet.

Biztonsági tudnivalók hosszú fúrószerű használata esetén

- ▶ **Mindig alacsony fordulatszámon kezdjen fúrni, a fúrószerű pedig legyen érintkezésben a munkadarabbal.** Ha a fúrószerű magasabb fordulatszámon nem érintkezik a munkadarabbal, hanem szabadon forog, akkor enyhén elhajolhat, és balesetet okozhat.
- ▶ **A gépet csak a fúrószerűhöz képest hosszanti irányban nyomja a munkadarabhoz, de soha ne túlzott mértékben.** A fúrószerű meghajolhat, ami a fúrószerű töréséhez vagy a szerszám feletti felügyelet elvesztéséhez vezethet, és sérülést okozhat.

2.3 Kiegészítő biztonsági tudnivalók

Személyi biztonsági előírások

- ▶ A terméket csak kifogástalan műszaki állapotban használja.
- ▶ Soha ne végezzen módosításokat vagy változtatásokat a gépen.
- ▶ Áttérési munkáknál biztosítsa a munkavégzés helyszínével szemkötti területet. A letéredező darabok ki- és/vagy leeshetnek, és személyi sérüléseket okozhatnak.
- ▶ A gépet mindig két kézzel tartsa az erre szolgáló markolatoknál. A markolatot tartsa mindig szárazon és tisztán.
- ▶ A markolatot mindig kívül fogja meg. Fúrás és csavarozás során a gép kimozdulhat oldalirányba.
- ▶ Kerülje a forgó részekkel való érintkezést – sérülésveszély!
- ▶ A gép használata során mindig viseljen megfelelő védőszemüveget, védősisakot, fülvédőt, védőkesztyűt és könnyű légzőmaszkot.
- ▶ A szerszámcseré közben is viseljen védőkesztyűt. A betétszerszám megérintése vágási és égési sérüléseket okozhat.
- ▶ Viseljen védőszemüveget. A szilánkok a szem és egyéb testrészek sérüléseit okozhatják.
- ▶ A munka megkezdése előtt tisztázza a munka során keletkező por veszélyességi besorolását. Használjon hivatalosan engedélyezett védelmi osztályú ipari porszívót, amely megfelel a helyi porvédelmi előírásoknak.
- ▶ Lehetőség szerint használjon porszivót és megfelelő mobil portalanítót. Ólomtartalmú festékek, ásványok, néhány fafajta, beton / téglafalazat / kvarctartalmú kövezet, valamint ásványok és fémek pora káros lehet az egészségre.
- ▶ Gondoskodjon a munkaterület jó szellőzéséről és szükség esetén viseljen az adott porhoz megfelelő légzőmaszkot. Ezen porok belélegzése vagy érintése a gép kezelőjénél vagy a közelében tartózkodóknál allergiás reakciót válthat ki, és/vagy légzési nehézséget okozhat. Bizonyos porok, mint például a tölgypora vagy a bükkfa pora rákkeltő, különösen fakezelési adalékanyagokkal (kromát, fávédő anyagok) együtt. Az azbeszttartalmú anyagokat csak szakemberek munkálthatják meg.
- ▶ Tartson munkaszüneteket és végezzen gyakorlatokat ujjainak jobb vérellátása érdekében. Hosszabb idejű munkavégzés esetén a rezgések zavart okozhatnak az ujjak, a kéz és a csukló véredényeiben vagy idegrendszerében.

Elektromos biztonsági előírások

- ▶ A munka megkezdése előtt ellenőrizze a munkaterületet, hogy nincsenek-e rejtett elektromos vezetékek, ill. gáz- és vízcsövek. A külső fémrészek áramütést okozhatnak, ha munka közben véletlenül megsért egy elektromos vezeték.

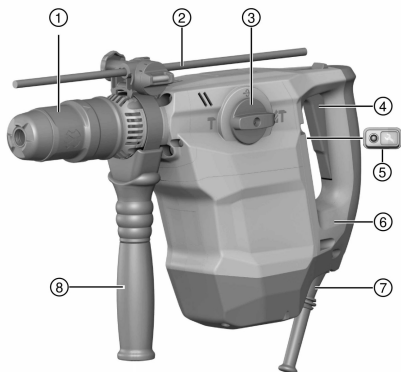
Az elektromos kéziszerszámok gondos kezelése és használata

- ▶ Azonnal kapcsolja ki az elektromos kéziszerszámot, ha a szerszám blokkolt. A gép oldalra kitérhet.
- ▶ Lehelyezés előtt várja meg, hogy az elektromos kéziszerszám leálljon.



3 Leírás

3.1 Termékáttekintés 1



- ① Tokmány
- ② Mélységűtköző
- ③ Funkcióválasztó kapcsoló
- ④ Indítókapcsoló
- ⑤ Szervizkijelző
- ⑥ Elektromos csatlakozókábel
- ⑦ Oldalsó markolat

3.2 Dugaszolható kábeles kivitel 2

- ① Reteszelőgomb
- ② Csatlakozó az elektromos gépen
- ③ Hálózati kábel kódolt, bontható csatlakozó-dugóval

3.3 Rendeltetésszerű géphasználat

Az ismertetett termék egy elektromos kombikalapács pneumatikus ütőművel. Betonban, falazatban, fában és fémben történő fúrási munkákhoz tervezték. A termék kiegészítőleg használható könnyű és közepes vésési munkához falazatban, valamint utólagos megmunkáláshoz betonban.

- ▶ Csak a típus táblán feltüntetett feszültségen és frekvencián szabad a gépet üzemeltetni.

3.4 Lehetséges hibás használat

- Ez a termék egészségre veszélyes anyagok megmunkálására nem alkalmas.
- Ez a termék nedves környezetben végzett munkához nem alkalmas.

3.5 Active Vibration Reduction

A termék fel van szerelve Active Vibration Reduction (AVR) rendszerrel, amely jelentősen csökkenti a vibrációt.

3.6 Gyorsbefogó tokmány (tartozék)

A gyorsbefogó tokmány lehetővé teszi a gyors szerszámcsere-t kiegészítő szerszám használata nélkül. Hengeres szárú vagy hatszögű szerszámokhoz alkalmas, melyek „Ütés nélkül” üzemmódban működtethetők.

3.7 Szervizkijelző

A termék világító jelzéssel ellátott szervizkijelzővel van felszerelve.

Állapot	Jelentés
A szervizkijelző világít	A gép elérte azt az üzemidőt, amikor szervizelést igényel.
A szervizkijelző villog	A termék károsodása. Javíttassa meg a kombikalapácsot a Hilti Szervizben.

3.8 Szállítási terjedelem

Kombinált kalapács, oldalmarkolat, használati utasítás.



A termékéhez jóváhagyott további rendszertartozékokat a **Hilti Store** helyen vagy a **www.hilti.group** weboldalon talál.

4 Műszaki adatok

4.1 Kombikalapács



A gép névleges feszültségét, névleges áramfelvételét, frekvenciáját és/vagy névleges teljesítményfelvételét az adott országra vonatkozó típus táblán találja.

Generátorral vagy transzformátorral való működtetés esetén annak leadott teljesítménye legyen legalább a duplája a gép típus tábláján megadott névleges teljesítményfelvételi értékeknek. A transzformátor vagy a generátor üzemi feszültsége mindig essen a gép névleges feszültségfelvételi értékeinek +5%-os és -15%-os határa közé.

	TE 50-AVR
A 01 EPTA-eljárásnak megfelelő tömeg	6,1 kg
Tárolási hőmérséklet	-20 °C ... 70 °C
Környezeti hőmérséklet működés közben	-17 °C ... 60 °C
Ø kalapácsfűrő	12 mm ... 32 mm
Ø fafűrő	6 mm ... 35 mm
Ø fém fúrása esetén	6 mm ... 13 mm

4.2 Zajinformációk és rezgési értékek az EN 62841 szabvány szerint

A jelen útmutatókban megadott hangnyomás- és rezgésértékeket egy szabványosított mérési eljárás keretében mértük meg, és alkalmasak elektromos kéziszerszámok egymással történő összehasonlítására. Az értékek emellett alkalmasak az expozíció előzetes megbecslésére.

A megadott adatok az elektromos szerszám fő alkalmazási területeire vonatkoznak. Ha az elektromos kéziszerszámot más célra, eltérő betétszerszámokkal használják, vagy nem megfelelően tartják karban, akkor az adatok eltérőek lehetnek. Ez jelentősen megnövelheti az expozíciókat a munkaidő teljes időtartama alatt. Az expozíció pontos megbecsléséhez azokat az időszakokat is figyelembe kell venni, amikor az elektromos kéziszerszámot lekapcsolták, vagy a készülék ugyan működik, de ténylegesen nincs használatban. Ez jelentősen csökkentheti az expozíciókat a munkaidő teljes időtartama alatt.

Hozzon kiegészítő intézkedéseket a kezelő védelme érdekében a hang és/vagy a rezgés hatásai ellen, mint például: Elektromos kéziszerszámok és betétszerszámok karbantartása, a gépkezelő kezének melegen tartása, a munkafolyamatok megszervezése.

Zajkibocsátási értékek

	TE 50-AVR
Hangteljesítmény (L_{WA})	108 dB(A)
Hangteljesítményszint bizonytalanság (K_{WA})	3 dB(A)
Hangnyomásszint (L_{pA})	97 dB(A)
Hangnyomásszint bizonytalanság (K_{pA})	3 dB(A)

Rezgési összértékek

	TE 50-AVR
Fúrás fémbe ($a_{h,D}$)	< 5 m/s ²
Kalapácsfúrás betonban ($a_{h,HD}$)	8,8 m/s ²
Vésés ($a_{h,Cheq}$)	7,1 m/s ²
A megadott rezgésértékek bizonytalansága (K)	1,5 m/s ²



5 Üzemeltetés

5.1 A munkahely előkészítése

VIGYÁZAT

Sérülésveszély! A termék véletlen elindítása.

- ▶ A gép beállítása vagy az alkatrészek cseréje előtt húzza ki a hálózati csatlakozót.

Vegye figyelembe a dokumentumban és a terméken található biztonsági utasításokat és figyelmeztetéseket.

5.1.1 Oldalsó markolat felszerelése

1. Lazítsa ki az oldalsó markolatot szorító bilincset a markolat elfordításával.
2. Elölről tolja a bilincset a tokmányon át az erre a célra szolgáló megfelelő horonyba.
3. Helyezze az oldalsó markolatot a kívánt állásba.
4. Szorítsa meg az oldalsó markolatot szorító bilincset a markolat elfordításával.

5.1.2 Mélységütköző (opcionális) felszerelése

1. Lazítsa ki az oldalsó markolatot szorító bilincset a markolat elfordításával.
2. Tolja a mélységütközőt előlről az erre a célra szolgáló 2 vezetőfuratba.
3. Szorítsa meg az oldalsó markolatot szorító bilincset a markolat elfordításával.
 - ▶ A mélységütköző fel van szerelve. A fúrásmélység beállításához:
4. Engedje ki a mélységütköző csavarját.
5. Állítsa be a fúrásmélység-ütközőt a kívánt fúrásmélységre.
6. Rögzítse a mélységütköző csavarját.

5.1.3 Betétszszám behelyezése/kivétele

VIGYÁZAT

Sérülésveszély a betétszszám miatt! A betétszszám forró és nagyon éles is lehet.

- ▶ A betétszszám cseréjekor viseljen védőkesztyűt.

1. Enyhén zsírozza be a betétszszám befogószárát.
2. Helyezze be a betétszszámot ütközésig a tokmányba és pattintsa be.
 - ▶ A termék üzemkész.
3. Húzza vissza ütközésig a szerszám reteszelését, és vegye ki a betétszszámot.



Csak eredeti **Hilti** gépszirt használjon. Nem megfelelő gépszír használata a termék károsodásához vezethet.

5.2 Munkavégzés


VIGYÁZAT

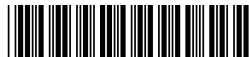
Sérülésveszély hibás kezelés miatt!

- ▶ Üzem közben ne működtesse a forgásirány- és/vagy a funkcióválasztó kapcsolót.

Vegye figyelembe a dokumentumban és a terméken található biztonsági utasításokat és figyelmeztetéseket.

5.2.1 Ütvefúrás (Kalapácsfúrás)

1. Állítsa a funkcióválasztó kapcsolót „Kalapácsfúrás”  állásba.
2. Helyezze a fúrót a felületre.
3. Nyomja be az indítókapcsolót.
 - ▶ A termék elindul.



5.3 Véső pozicionálása


VIGYÁZAT

Sérülésveszély! A vésés iránya feletti ellenőrzés elvesztése.


- ▶ A „véső pozicionálása” állásban ne dolgozzon a géppel. Állítsa a funkcióválasztó kapcsolót „vésés” állásba kattánásig.



A vésőt (15°-os lépésközökkel) 24 különböző helyzetbe lehet beállítani. Ezáltal a lapos-, ill. profilvécőkkel mindig optimális munkahelyzetben lehet dolgozni.

1. Állítsa a funkcióválasztó kapcsolót „Véső pozicionálása” -> állásba.
2. Forgassa el a vésőt a kívánt pozícióba.
3. Állítsa a funkcióválasztó kapcsolót „Vésés”  állásba kattánásig.
 - ▶ A termék üzemkész.

5.3.1 Vésés

- ▶ Állítsa a funkcióválasztó kapcsolót „Vésés”  állásba.

5.3.2 Folyamatos üzem be-/kikapcsolása



Véső üzemmódban, bekapcsolt állapotban a be-/kikapcsoló reteszeltető.

1. A folyamatos üzemhez a rögzítógombot tolja előre.
2. Nyomja be teljesen a be-/kikapcsoló gombot.
 - ▶ A termék ekkor folyamatos üzemben működik.
3. A folyamatos üzemhez a rögzítógombot tolja hátra.
 - ▶ A termék kikapcsol.

6 Dugaszolható kábel

6.1 Dugaszolható hálózati kábel csatlakoztatása

VIGYÁZAT

Sérülésveszély beszennyeződött érintkezők esetén a kúszóáramok miatt.

- ▶ A bontható elektromos csatlakozót csak tiszta, száraz és feszültségmentes állapotban csatlakoztassa az elektromos gépre.

1. Vezesse be ütközésig a kódolt, bontható elektromos csatlakozót a gépbe, míg az hallhatóan bereteszel.
2. Helyezze be a gép csatlakozódugóját az aljzatba.

6.2 Dugaszolható hálózati kábel leválasztása az elektromos gépről

1. Húzza ki a hálózati dugót a csatlakozóaljzatból.
2. Nyomja meg a reteszelőgombot, majd húzza ki a kódolt, bontható elektromos csatlakozót.
3. Húzza ki a tápkábelt a gépből.

7 Ápolás és karbantartás

FIGYELMEZTETÉS

Elektromos áramütés veszélye! A csatlakoztatott hálózati kábellel végzett ápolás és karbantartás súlyos sérüléseket és égési sérülést okozhat.

- ▶ Minden ápolási és karbantartási munka előtt húzza ki a hálózati csatlakozót!

Ápolás

- Óvatosan távolítsa el a szilárdan tapadó szennyeződést.
- Száraz kefével tisztítsa meg óvatosan a szellőzőnyílásokat.



- A házat csak enyhén nedves kendővel tisztítsa. Ne használjon szilikontartalmú ápolószert, mivel az károsíthatja a műanyag alkatrészeket.

Karbantartás

FIGYELMEZTETÉS

Áramütés veszélye! Az elektromos alkatrészek nem szakszerű javítása súlyos sérülésekhez és égési sérülésekhez vezethet.

- ▶ A gép elektromos részeit csak szakképzett villamosági szakember javíthatja.
- Rendszeresen ellenőrizze a látható részeket sérülés, illetve a kezelőelemeket kifogástalan működés szempontjából.
- Sérülések és/vagy funkciózavar esetén ne működtesse a terméket. Azonnal javíttassa meg a **Hilti** Szervizben.
- Az ápolási és karbantartási munkák után minden védőfelszerelést szereljen fel, és ellenőrizze a gép működését.

A biztonságos üzemelés érdekében csak eredeti pótalkatrészeket és fogyóanyagokat használjon. Az általunk engedélyezett pótalkatrészeket, fogyóanyagokat és tartozékokat termékéhez megtalálja a **Hilti Store** helyeken vagy az alábbi címen: www.hilti.group.

8 Szállítás és tárolás

- Az elektromos gépet ne szállítsa behelyezett szerszámmal.
- Az elektromos gépet mindig kihúzott hálózati csatlakozóval tárolja.
- A gépet száraz helyen, gyermekek, valamint illetéktelen személyek számára nem hozzáférhető módon tárolja.
- Hosszabb szállítást vagy raktározást követően ellenőrizze az elektromos gép sértetlenségét a használatba vétel előtt.

9 Segítség zavarok esetén

Az ebben a táblázatban fel nem sorolt zavarok, illetve olyan zavarok esetén, amelyeket saját maga nem tud megjavítani, kérjük, forduljon a **Hilti** Szervizhez.

9.1 Segítség zavarok esetén

Üzemzavar	Lehetséges ok	Megoldás
A gép nem indul.	A hálózati áramellátás megszakadt	▶ Csatlakoztasson egy másik elektromos készüléket és ellenőrizze a működést.
	Áramkimaradás után az elektronikus indításgátló aktív.	▶ Kapcsolja ki, majd újra be a gépet.
Nincs ütés.	A gép túl hideg.	▶ Állítsa a fűrókalapácsot a padlóra, és hagyja üresjáratban járni. Szükség esetén ismétlje addig, amíg a kalapácsoló működni nem kezd.
A kombikalapács nem teljes teljesítménnyel működik.	A hosszabbító kábel átmérője túl kicsi.	▶ Használjon megfelelő keresztmetszetű hosszabbító kábelt.
	Az áramellátás feszültsége túl kicsi.	▶ Csatlakoztassa a kombikalapácsot egy másik áramellátásra.
A fűró nem forog.	A funkcióválasztó kapcsoló nem pattant be, vagy „Vésés” T , vagy „Véső pozicionálása” ↔ állásban van.	▶ Állítsa a funkcióválasztó kapcsolót „Kalapácsfűrés” IT állásba.
A fűró reteszelését nem lehet kioldani.	Nincs teljesen hátrahúzva a tokmány.	▶ Húzza vissza ütközésig a szerszám reteszelését, és vegye ki a betétszerszámot.



Üzemzavar	Lehetséges ok	Megoldás
A fúró reteszelését nem lehet kioldani.	Az oldalmarkolat nem megfelelően van felszerelve.	▶ Oldja le az oldalmarkolatot és szerelje fel helyesen, úgy, hogy a szorítópánt és az oldalmarkolat bepattanjon a mélyedésbe.
A szervizjelző világít a szénkefék cseréje után.	Az érintkezők még nem csiszolódtak be.	▶ Hagyja a szénkeféket bejáratódni legalább 1 percen keresztül megszakítás nélkül üresjáratban.

10 Ártalmatlanítás

A **Hilti** gépek nagyrészt újrahasznosítható anyagokból készülnek. Az újrahasznosítás előtt az anyagokat gondosan szét kell válogatni. A **Hilti** sok országban már visszaveszi használt gépét újrahasznosítás céljára. Kérdezze meg a **Hilti** ügyfélszolgálatot vagy kereskedelmi tanácsadóját.



- ▶ Az elektromos kéziszerszámokat, elektromos készülékeket és akkukat ne dobja a háztartási szemétkébe!

11 RoHS (Veszélyes anyagok alkalmazásának korlátozásáról szóló irányelv)

A következő linken elérhető a veszélyes anyagok táblázata: qr.hilti.com/r4902202.

A dokumentáció végén található QR-kódon keresztül elérhető a RoHS táblázat.

12 Gyártói garancia

- ▶ A jótállás feltételeire vonatkozó kérdéseivel forduljon a helyi **Hilti** partneréhez.

Originalna navodila za uporabo

1 Informacije glede navodil za uporabo

1.1 K tem navodilom za uporabo

- Pred začetkom uporabe preberite ta navodila za uporabo. To je pogoj za varno delo in nemoteno uporabo.
- Upoštevajte varnostna navodila in opozorila v teh navodilih za uporabo in na izdelku.
- Navodila za uporabo vedno hranite blizu izdelka in jih vedno priložite, če izdelek posredujete drugim osebam.

1.2 Legenda

1.2.1 Opozorila

Opozorila opozarjajo na nevarnosti pri delu z izdelkom. Uporabljajo se naslednje signalne besede:

NEVARNOST

NEVARNOST !

- ▶ Za neposredno grozečo nevarnost, ki lahko pripelje do težjih telesnih poškodb ali do smrti.

OPOZORILO

OPOZORILO !

- ▶ Za morebitno grozečo nevarnost, ki lahko povzroči težke telesne poškodbe ali smrt.



PREVIDNO

PREVIDNO !

► Za možno nevarnost, ki lahko pripelje do telesnih poškodb ali materialne škode.

1.2.2 Simboli v navodilih za uporabo

V navodilih za uporabo se pojavljajo naslednji simboli:

	Upoštevajte navodila za uporabo
	Navodila za uporabo in druge uporabne informacije
	Ravnanje z materiali, ki jih je mogoče znova uporabiti
	Električnih orodij in akumulatorskih baterij ne odstranjujte s hišnimi odpadki

1.2.3 Simboli na slikah

Na slikah so uporabljeni naslednji simboli:

	Te številke označujejo slike, ki so na začetku teh navodil za uporabo.
	Številke na slikah označujejo pomembne korake ali elemente, pomembne za izvedbo korakov. Ti koraki ali elementi so z ustreznimi številkami, npr. (3) , označeni tudi v besedilu.
	Na sliki Pregled so uporabljene številke položajev, ki se nanašajo na številke v legendi poglavja Pregled izdelka .
	Ta znak opozarja, da morate biti pri uporabi izdelka še posebej pozorni.

1.3 Simboli, ki so odvisni od izdelka

1.3.1 Simboli na izdelku

Na izdelku so uporabljeni naslednji simboli:

	Vrtanje z udarci (udarno vrtanje)
	Dletenje
	Pozicioniranje dleta
	Razred zaščite II (dvojna izolacija)
/min	Vrtljaji na minuto
n_0	Nazivno število vrtljajev v prostem teku
\emptyset	Premer
	Brezžičen prenos podatkov

1.4 Informacije o izdelku

Izdelki so namenjeni profesionalnim uporabnikom; uporablja, vzdržuje in servisira jih lahko le pooblaščen in ustrezno usposobljeno osebje. To osebje je treba dodatno poučiti o nevarnostih, ki se pojavljajo pri delu. Izdelek in njegovi pripomočki so lahko nevarni, če jih nepravilno uporablja nestrokovno osebje in če se uporabljajo v nasprotju z namembnostjo.

Tipska oznaka in serijska številka sta navedeni na tipski ploščici.



- Serijsko številko prepisite v naslednjo preglednico. Podatke o izdelku potrebujete v primeru morebitnih vprašanj za našega zastopnika ali servis.

Informacije o izdelku

Kombinirano kladivo	TE 50-AVR
Generacija	03
Serijska št.	

1.5 Izjava o skladnosti

Z izključno odgovornostjo izjavljamo, da tukaj opisan izdelek ustreza naslednjim direktivam in standardom. Kopijo izjave o skladnosti si lahko ogledate na koncu te dokumentacije.

Tehnična dokumentacija je na voljo tukaj:

Hilti Entwicklungsgesellschaft mbH | Zulassung Geräte | Hiltistraße 6 | 86916 Kaufering, DE

2 Varnost

2.1 Splošna varnostna opozorila za električna orodja

⚠ OPOZORILO preberite vsa varnostna opozorila, navodila, slike in tehnične podatke, priložene temu električnemu orodju. Posledice neupoštevanja naslednjih opozoril so lahko električni udar, požar in/ali hude telesne poškodbe.

Vsa varnostna opozorila in navodila shranite za v prihodnje.

Pojem "električno orodje", ki smo ga uporabili v varnostnih opozorilih, se nanaša na električno orodje za priklop na električno omrežje (s priključnim kablom) ali na električno orodje na baterijski pogon (brez priključnega kabla).

Varnost na delovnem mestu

- **Poskrbite, da bo vaše delovno mesto vedno čisto in dobro osvetljeno.** Nered ali neosvetljena delovna območja lahko povzročijo nezgode.
- **Prosimo, da električnega orodja ne uporabljate v okolju, kjer je nevarnost eksplozije in v katerem se nahajajo gorljive tekočine, plini ali prah.** Električna orodja povzročajo iskrenje, zato se gorljiv prah ali pare lahko vnamejo.
- **Ne dovolite otrokom in drugim osebam, da bi se med delom približale električnemu orodju.** Druge osebe lahko odvrnejo vašo pozornost in izgubili boste nadzor nad orodjem.

Električna varnost

- **Priključni vtič električnega orodja mora ustrezati vtičnici. Vtiča pod nobenim pogojem ne smete spreminjati.** Uporaba adapterskih vtičev v kombinaciji z zaščitnim ozemljenim električnim orodjem ni dovoljena. Nespremenjen vtič in ustrezna vtičnica zmanjšujeta nevarnost električnega udara.
- **Izogibajte se telesnemu stiku z ozemljenimi površinami, na primer s cevmi, grelci, štedilniki in hladilniki.** Če je ozemljeno tudi vaše telo, obstaja povečano tveganje električnega udara.
- **Zavarujte električno orodje pred dežjem in vlago.** Vstop vode v električno orodje povečuje nevarnost električnega udara.
- **Električnega kabla ne uporabljajte za prenašanje ali obešanje električnega orodja ali za vlečenje vtiča iz vtičnice.** Električni kabel zavarujte pred vročino, oljem, ostrimi robovi ali stikom s premikajočimi se deli orodja. Poškodovan ali zavozlan električni kabel povečuje nevarnost električnega udara.
- **Če električno orodje uporabljate na prostem, uporabljajte samo podaljške, ki so primerni tudi za delo na prostem.** Uporaba podaljševalnega kabla, ki je primeren za uporabo na prostem, zmanjšuje nevarnost električnega udara.
- **Če se ne morete izogniti uporabi orodja v vlažnem okolju, uporabite zaščitno stikalo okvarnega toka.** Uporaba zaščitnega stikala okvarnega toka zmanjša tveganje električnega udara.

Varnost oseb

- **Bodite zbrani in pazite, kaj delate.** Dela z električnim orodjem se lotite razumno. Nikoli ne uporabljajte orodja, če ste utrujeni ali pod vplivom drog, alkohola ali zdravil. Trenutek nepazljivosti pri uporabi električnega orodja lahko privede do resnih poškodb.
- **Uporabljajte osebno zaščitno opremo in vedno nosite zaščitna očala.** Uporaba osebne zaščitne opreme, na primer protiprašne maske, nedrsečih zaščitnih čevljev, zaščitne čelade in glušnikov, odvisno od vrste in načina uporabe električnega orodja, zmanjšuje tveganje telesnih poškodb.
- **Preprečite nenameren zagon orodja. Preden električno orodje priključite na električno omrežje in/ali akumulatorsko baterijo, ga dvignite ali nosite, se prepričajte, da je izključeno.** Če med



prenašanjem električnega orodja prst držite na stikalu oziroma če na električno omrežje priključite vklopljeno orodje, lahko pride do nezgode.

- ▶ **Preden vklopite električno orodje, z njega odstranite nastavitvena orodja ali vijaki ključ.** Orodje ali ključ na vrtečem se delu orodja lahko privedeta do poškodb.
- ▶ **Izogibajte se neobičajni telesni drži. Poskrbite za varno stojišče in ohranite ravnotežje.** Tako boste lahko v nepričakovani situaciji bolje obvladali električno orodje.
- ▶ **Nosite primerna oblačila. Ne nosite širokih oblačil ali nakita. Lasje, oblačila in rokavice ne smejo priti v stik s premikajočimi se deli orodja.** Ne nosite ohlapne obleke ali nakita, ker ju lahko zagrabijo premikajoči se deli orodja.
- ▶ **Če je na orodje možno namestiti priprave za odsesavanje in prestrezanje prahu, se prepričajte, da so le-te priključene in jih uporabljate na pravilen način.** Uporaba priprav za odsesavanje prahu zmanjšuje ogroženost zaradi prahu.
- ▶ **Ne podcenjujte nevarnosti in vedno upoštevajte varnostna navodila za električna orodja, tudi, če ste po večkratni uporabi nanje že dobro navajeni.** Neprevidno ravnanje lahko v delčku sekunde povzroči hude poškodbe.

Uporaba električnega orodja in ravnanje z njim

- ▶ **Ne preobremenjujte orodja. Uporabljajte samo električno orodje, ki je predvideno za opravljanje vašega dela.** Z ustreznim električnim orodjem boste delali bolje in varneje v predvidenem območju zmogljivosti.
- ▶ **Ne uporabljajte električnega orodja, ki ima pokvarjeno stikalo.** Električno orodje, ki ga ni možno vklopiti ali izklopiti, je nevarno in ga je treba popraviti.
- ▶ **Pred nastavljanjem orodja, menjavo opreme in odlaganjem orodja izvlecite vtič iz vtičnice in/ali snemite odstranljivo akumulatorsko baterijo iz orodja.** Ta previdnostni ukrep onemogoča nepredviden zagon električnega orodja.
- ▶ **Električna orodja, ki jih ne uporabljate, shranjujte izven dosega otrok. Orodja ne smejo uporabljati osebe, ki niso seznanjene z njegovim delovanjem oziroma niso prebrale teh navodil za uporabo.** Električna orodja so nevarna, če jih uporabljajo neizkušene osebe.
- ▶ **Skrbno vzdržujte električna orodja in pribor. Preverite, ali premikajoči se deli delujejo brezhibno in se ne zatikajo, oziroma ali kakšen del orodja ni zlomljen ali poškodovan do te mere, da bi oviral delovanje električnega orodja. Pred ponovno uporabo je treba poškodovan del orodja popraviti.** Vzrok za številne nezgode so prav slabo vzdrževana električna orodja.
- ▶ **Rezalna orodja naj bodo ostra in čista.** Skrbno negovana rezalna orodja z ostrimi robovi se manj zatikajo in so bolj vodljiva.
- ▶ **Električno orodje, pribor, nastavke itd. uporabljajte v skladu s temi navodili. Pri tem upoštevajte delovne pogoje in vrsto dela, ki ga nameravate opravljati.** Uporaba električnega orodja v druge, nepredvidene namene, lahko privede do nevarnih situacij.
- ▶ **Ročaji in njihove površine morajo biti suhi, čisti ter brez olja in maščobe.** Če so ročaji in njihove površine spolzki, z orodjem ni mogoče varno rokovati in ga v primeru nepredvidljivih situacij odbrzati pod nadzorom.

Servis

- ▶ **Električno orodje lahko popravlja samo usposobljen strokovnjak, in to izključno z originalnimi nadomestnimi deli.** Le tako bo tudi v prihodnje zagotovljena varna raba električnega orodja.

2.2 Varnostna navodila za kladiva

Varnostna opozorila za vsa dela

- ▶ **Uporabljajte zaščito za sluh.** Hrup lahko povzroči izgubo sluha.
- ▶ **Uporabljajte dodatne ročaje, ki so bili dobavljeni skupaj z orodjem.** Izguba kontrole nad orodjem lahko pripelje do poškodb.
- ▶ **Pri izvajanju del, pri katerih lahko pride do stika delovnega orodja s skritimi električnimi vodi ali električnim kablom orodja, orodje držite za izolirane prijemalne površine.** Pri stiku z vodnikom pod napetostjo lahko napetost preide tudi na kovinske dele orodja in povzroči električni udar.

Varnostna opozorila pri uporabi daljših svedrov

- ▶ **Vrtanje vedno začnite z nizkim številom vrtljajev in ko je sveder v stiku z obdelovancem.** Če sveder ni v stiku z obdelovancem, se lahko pri višjem številu vrtljajev rahlo upogne, kar lahko pripelje do poškodb.
- ▶ **Med vrtanjem ne pritiskajte preveč in vedno le v vzdolžni smeri glede na sveder.** Svedri se lahko upognejo in posledično zlomijo, kar lahko pripelje do izgube nadzora nad orodjem in do poškodb.



2.3 Dodatna varnostna opozorila

Varnost oseb

- ▶ Izdelek uporabljajte samo v tehnično brezhibnem stanju.
- ▶ Orodja nikoli na noben način ne spreminjajte.
- ▶ Pri prebijanju zavarujte območje na nasprotni strani del. Odlomljeni delci lahko padejo in pri tem poškodujejo druge osebe.
- ▶ Orodje vedno držite z obema rokama za predvidena ročaja. Ročaja morata biti suha in čista.
- ▶ Stranski ročaj vedno prijemajte za zunanjo stran. Pri vrtnanju in vijačenju lahko orodje obrnete na stran.
- ▶ Ne dotikajte se vrtečih se delov - nevarnost poškodb!
- ▶ Med uporabo orodja nosite ustrezna zaščitna očala, zaščitno čelado, zaščito za sluh, zaščitne rokavice in lahko masko za zaščito dihal.
- ▶ Tudi pri menjavanju nastavkov nosite zaščitne rokavice. Če se dotaknete nastavkov, se lahko urežete in opečete.
- ▶ Uporabljajte zaščito za oči. Drobci, ki odletavajo, lahko poškodujejo telo in oči.
- ▶ Pred pričetkom dela ugotovite razred nevarnosti nastajajočega prahu. Pri delu z orodjem uporabljajte le industrijske sesalnike z uradno odobrenim zaščitnim razredom v skladu z lokalno zakonodajo o zaščiti pred prahom.
- ▶ Če je le mogoče, uporabljajte odsesavanje prahu in ustrezen prenosni sesalnik. Prah nekaterih materialov, kot so npr. premazi, ki vsebujejo svinec, nekatere vrste lesa, beton/zid/kamnine, ki vsebujejo kremen, minerali in kovine, je lahko zdravju škodljiv.
- ▶ Poskrbite za dobro prezračevanje delovnega mesta in po potrebi nosite masko za zaščito dihal, ki je namenjena za zaščito pred določenim prahom. Stik s prahom ali vdihavanje prahu lahko pri uporabniku ali osebah, ki so v bližini, povzročita alergične reakcije ali bolezni dihal. Prah določenih materialov, kot npr. hrast ali bukev, velja za kancerogen, še posebej v povezavi z dodatnimi snovmi za obdelavo lesa (kromati, sredstvo za zaščito lesa). Z materialom, ki vsebuje azbest, smejo delajo le strokovnjaki.
- ▶ Med delom si privoščite odmor in razgibalne vaje za boljše prekrvavitev prstov. Pri daljšem delu lahko vibracije povzročijo motnje prekrvavitve in živčnega sistema na prstih, rokah in zapestjih.

Električna varnost

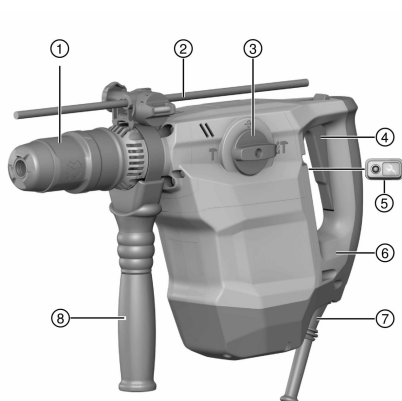
- ▶ Preden začnete z delom, preverite, ali so v delovnem območju skriti električni vodi, plinske in vodovodne cevi. Zunanji kovinski deli na orodju lahko povzročijo električni udar, če nehotе poškodujete električni vod pod napetostjo.

Skrbno ravnanje z električnimi orodji in njihova uporaba

- ▶ Če nastavek blokira, električno orodje takoj izključite. Orodje se lahko obrne postrani.
- ▶ Preden orodje odložite, počakajte, da se ustavi.

3 Opis

3.1 Pregled izdelka 1



- ① Vpenjalna glava
- ② Omejevalnik globine
- ③ Stikalo za izbiro funkcij
- ④ Krmilno stikalo
- ⑤ Servisni prikazovalnik
- ⑥ Priključni kabel
- ⑦ Stranski ročaj



3.2 Izvedba z vtičnim priključnim kablom 2

- ① Tipka za blokado
- ② Priklon na električno orodje
- ③ Priključni kabel s kodiranim snemljivim konektorjem

3.3 Namenska uporaba

Opisan izdelek je električno kombinirano kladivo s pnevmatskim udarnim mehanizmom. Namenjeno je za vrtanje v beton, zid, les in kovino. Izdelek lahko uporabljate tudi za preprostejše do srednje zahtevno dletenje zidu in dodelave na betonu.

- ▶ Izdelka ni dovoljeno priklopiti na nobeno drugo omrežje kot na omrežje z napetostjo in frekvenco, ki ustreza podatkom na tipski ploščici.

3.4 Možne napačne uporabe

- Ta izdelek ni primeren za obdelavo zdravju škodljivih snovi.
- Ta izdelek ni primeren za delo v vlažnem okolju.

3.5 Active Vibration Reduction

Izdelek je opremljen s sistemom Active Vibration Reduction (AVR), ki bistveno zmanjša raven vibracij.

3.6 Hitrovpjenjalna glava (pribor)

Hitrovpjenjalna glava omogoča hitro zamenjavo nastavkov brez dodatnih orodij. Primerna je za nastavke s cilindričnim ali šestorobnim stebлом, ki se lahko uporabljajo v načinu „brez udarcev“.

3.7 Servisni prikazovalnik

Izdelek je opremljen s servisnim prikazovalnikom s svetlobnim signalom.

Stanje	Pomen
Servisni prikazovalnik sveti.	Dosežen je termin za servis.
Servisni prikazovalnik utripa.	Poškodbe na izdelku. Kombinirano kladivo naj popravijo pri servisni službi Hilti .

3.8 Obseg dobave

Kombinirano rušilno kladivo, stranski ročaj, navodila za uporabo.

Druge sistemske izdelke, ki so dovoljeni za vaš izdelek, najdete v centru **Hilti Store** ali na spletni strani: www.hilti.group

4 Tehnični podatki

4.1 Kombinirano kladivo

Nazivno napetost, nazivni tok, frekvenco in/ali nazivno porabo moči najdete na tipski ploščici, ki je prilagojena posamezni državi.

Pri obratovanju z generatorjem ali transformatorjem mora biti njegova izhodna moč najmanj dvakrat višja od nazivne porabe moči vašega orodja, ki je navedena na tipski ploščici. Delovna napetost transformatorja ali generatorja mora biti vedno med +5 % in -15 % nazivne napetosti orodja.

	TE 50-AVR
Teža v skladu s postopkom EPTA 01	6,1 kg
Temperatura skladiščenja	-20 °C ... 70 °C
Temperatura okolice med delovanjem	-17 °C ... 60 °C
Ø Udarni svedri	12 mm ... 32 mm
Ø Svedri za les	6 mm ... 35 mm
Ø Svedri za kovino	6 mm ... 13 mm



4.2 Informacije o hrupu in vrednosti tresljev so določene v skladu z EN 62841

Vrednosti zvočnega tlaka in tresljev, ki so navedene v teh navodilih, so izmerjene v skladu s standardnim merilnim postopkom in se lahko uporabijo za medsebojno primerjavo električnih orodij. Primerne so tudi za predhodno oceno izpostavljenosti.

Navedeni podatki ponazarjajo dejansko uporabo električnega orodja. Če električno orodje uporabljate za druge namene, z neustreznimi nastavki ali ga ne vzdržujete pravilno, lahko vrednosti odstopajo. To lahko znatno poveča izpostavljenosti v celotnem delovnem časovnem obdobju.

Za točno oceno izpostavljenosti je treba upoštevati tudi čas, ko je električno orodje izključeno ali pa deluje, a ni dejansko v uporabi. To lahko znatno zmanjša izpostavljenosti v celotnem delovnem časovnem obdobju. Upoštevajte dodatne varnostne ukrepe za zaščito uporabnika pred učinkom zvoka in/ali treslji, na primer: Vzdrževanje električnega orodja in nastavkov, zaščita rok pred mrazom in organizacija poteka dela.

Vrednosti emisij hrupa

	TE 50-AVR
Raven zvočne moči (L_{WA})	108 dB(A)
Negotovost ravni zvočne moči (K_{WA})	3 dB(A)
Raven zvočnega tlaka (L_{pA})	97 dB(A)
Negotovost ravni zvočnega tlaka (K_{pA})	3 dB(A)

Skupna vrednost tresljev

	TE 50-AVR
Vrtanje v kovino ($a_{h, D}$)	< 5 m/s ²
Udarno vrtanje v beton ($a_{h, HD}$)	8,8 m/s ²
Dletenje ($a_{h, Cheq}$)	7,1 m/s ²
Negotovost za navedene vrednosti vibracij (K)	1,5 m/s ²

5 Uporaba

5.1 Priprava dela

PREVIDNO

Nevarnost poškodb! Nenameren vklop izdelka.

- Pred nastavljanjem orodja ali menjavo pribora izvlecite vtič iz vtičnice.

Upoštevajte varnostna navodila in opozorila v tej dokumentaciji in na izdelku.

5.1.1 Montaža stranskega ročaja

1. Zavrtite ročaj, da sprostite držalo (zatezni trak) stranskega ročaja.
2. Držalo (zatezni trak) potisnite od spredaj prek vpenjalne glave do za to predvidenega utora.
3. Stranski ročaj namestite v zeleni položaj.
4. Zavrtite ročaj, da držalo (zatezni trak) stranskega ročaja napnete.

5.1.2 Namestitev omejevalnika globine (dodatna oprema)

1. Zavrtite ročaj, da sprostite držalo (zatezni trak) stranskega ročaja.
2. Potisnite omejevalnik globine s sprednje strani v za to predvideni vodilni odprtini.
3. Zavrtite ročaj, da držalo (zatezni trak) stranskega ročaja napnete.
 - Omejevalnik globine je nameščen. Za nastavitev globine vrtanja:
4. Odvijte vijak na omejevalniku globine.
5. Nastavite distančnik na zeleno globino vrtanja.
6. Zaprite vijak na omejevalniku globine.

5.1.3 Vstavljanje/odstranjevanje nastavkov

PREVIDNO

Nevarnost poškodbe zaradi nastavka! Nastavek je lahko vroč ali ima ostre robove.

- Pri menjavi nastavka uporabite zaščitne rokavice.



1. Natični del nastavka narahlo namažite z mastjo.
2. Vtaknite nastavek v vpenjalno glavo do prislona, da se zaskoči.
 - ▶ Izdelek je pripravljen na obratovanje.
3. Povlecite zaporo nastavka nazaj do prislona in izvlecite nastavek iz orodja.



Uporabljajte le originalno mast **Hilti**. Uporaba neustrezne masti lahko poškoduje izdelek.

5.2 Delo



PREVIDNO

Nevarnost poškodb zaradi napačne uporabe!

- ▶ Stikala za smer vrtenja in/ali izbiro funkcije ne pritiskejte med delovanjem.

Upošteвайте varnostna navodila in opozorila v tej dokumentaciji in na izdelku.

5.2.1 Vrtanje z udarci (udarno vrtanje)

1. Stikalo za izbiro funkcij nastavite v položaj "udarno vrtanje"
2. Položite sveder na podlago.
3. Pritisnite na krmilno stikalo.
 - ▶ Izdelek se zažene.

5.3 Pozicioniranje dleta



PREVIDNO

Nevarnost poškodb! Izguba nadzora nad smerjo dletenja.

- ▶ Nikoli ne delajte v položaju "pozicioniranje dleta". Stikalo za izbiro funkcij nastavite v položaj "dletenje" do zaskoka.



Dleto se lahko nastavi v 24 različnih položajev (v korakih po 15°). To omogoča vedno optimalen delovni položaj pri delu s ploščatim in oblikovnim dletom.

1. Stikalo za izbiro funkcij nastavite v položaj "pozicioniranje dleta"
2. Obrnite dleto v želen položaj.
3. Stikalo za izbiro funkcij nastavite v položaj "dletenje" do zaskoka.
 - ▶ Izdelek je pripravljen na obratovanje.

5.3.1 Dletenje

- ▶ Stikalo za izbiro funkcij nastavite v položaj "dletenje" .

5.3.2 Vklp/izklp neprekinjenega delovanja



Pri dletenju lahko stikalo za vklop/izklp blokirate v vklopljenem stanju.

1. Za neprekinjeno delovanje potisnite blokirni gumb naprej.
2. Stikalo za vklop/izklp pritisnite do konca.
 - ▶ Zdaj izdelek deluje v neprekinjenem delovanju.
3. Blokirni gumb za neprekinjeno delovanje potisnite nazaj.
 - ▶ Izdelek se izklopi.



6 Vtični kabel

6.1 Priključitev vtičnega priključnega kabla

PREVIDNO

Nevarnost poškodb zaradi plazilnega toka v primeru umazanih kontaktov.

► Snemljiv električni konektor priključite na orodje le v čistem in suhem stanju brez napetosti.

1. Kodiran, snemljiv električni konektor potisnite v orodje do prislona, da se aretirni mehanizem slišno zaskoči.
2. Vtaknite vtič v vtičnico.

6.2 Odklop vtičnega priključnega kabla z električnega orodja

1. Izvlecite vtič iz vtičnice.
2. Pritisnite tipko za blokado in izvlecite kodiran, snemljiv električni konektor.
3. Izvlecite priključni kabel iz orodja.

7 Nega in vzdrževanje

OPOZORILO

Nevarnost električnega udara! Nega in vzdrževanje z vstavljenim vtičem lahko povzročita hude poškodbe in opekline.

► Pred nego in vzdrževanjem vedno izvlecite vtič!

Nega

- Previdno odstranite sprijeto umazanijo.
- Prezračevalne reže previdno očistite s suho krtačo.
- Za čiščenje ohišja uporabljajte samo rahlo navlaženo krpo. Za čiščenje ne uporabljajte čistil, ki vsebujejo silikon, ker lahko poškodujejo plastične dele.

Vzdrževanje

OPOZORILO

Nevarnost zaradi električnega udara! Nepravilna popravila na električnih delih lahko povzročijo težke poškodbe in opekline.

► Električne komponente smejo popravljati samo strokovnjaki električarji.

- Redno preverjajte, ali so vidni deli orodja nepoškodovani in ali elementi za upravljanje delujejo brezhibno.
- Izdelka ne uporabljajte, če je poškodovan in/ali ne deluje brezhibno. Izdelek naj takoj popravi servis **Hilti**.
- Po končani negi in vzdrževanju namestite vse zaščitne naprave in preverite, ali delujejo brezhibno.



Za varno delo uporabljajte le originalne nadomestne dele in potrošni material. Seznam odobrenih nadomestnih delov, potrošnih materialov in pribora najdete v servisnem centru **Hilti Store** ali na spletni strani: www.hilti.group.

8 Transport in skladiščenje

- Električnega orodja ne transportirajte s priključenim nastavkom.
- Električno orodje vedno skladiščite z izvlečenim vtičem.
- Električno orodje skladiščite suho in zunaj dosega otrok ter nepooblaščenih oseb.
- Po daljšem prevozu ali skladiščenju in pred uporabo električnega orodja preverite, ali je le-to morda poškodovano.

9 Pomoč pri motnjah

V primeru motenj, ki niso navedene v tej preglednici oziroma jih sami ne znate odpraviti, se obrnite na naš servis **Hilti**.



9.1 Pomoč pri motnjah

Motnja	Možen vzrok	Rešitev
Orodja ni mogoče vklopiti.	Prekinitev električnega napajanja	▶ Priključite drugo električno orodje in preverite, ali deluje.
	Aktivirana je elektronska blokada zagona po prekinitvi električnega napajanja.	▶ Izklopite in znova vklopite orodje.
Ni udarcev.	Orodje ni dovolj ogreto.	▶ Vrtalno kladivo odložite na tla, kjer naj deluje v prostem teku. Po potrebi postopek ponavljajte, dokler udarni mehanizem ne začne delovati.
Kombinirano kladivo nima polne moči.	Podaljšek ima premajhen presek.	▶ Uporabite podaljšek zadostnega preseka.
	Napajanje s tokom ima prenizko napetost.	▶ Priključite kombinirano kladivo na drug vir napajanja.
Sveder se ne vrti.	Izbirno funkcijsko stikalo ni zaskočeno ali v položaju "dletenje" T ali "pozicioniranje dleta" → .	▶ Stikalo za izbiro funkcij nastavite v položaj "udarno vrtnanje" ↑T .
Svedra ni mogoče odstraniti iz zaklepa.	Vpenjalna glava ni povlečena do konca nazaj.	▶ Povlecite zaporo nastavka nazaj do prislonja in izvlecite nastavek.
	Stranski ročaj ni pravilno montiran.	▶ Sprostite stranski ročaj in ga montirajte pravilno, tako da se bosta zatezni trak in stranski ročaj zaskočila v vdolbino.
Servisni prikazovalnik sveti po menjavi oglehni ščetk.	Stiki še niso zbrušeni.	▶ Ogljene ščetke naj se utečejo tako, da pustite orodje delovati v prostem teku najmanj 1 minuto brez prekinitve.

10 Odstranjevanje

Orodja **Hilti** so pretežno izdelana iz materialov, ki jih je mogoče znova uporabiti. Pogoj za ponovno uporabo materialov je ustrezno razvrščanje materiala. V mnogih državah servisi **Hilti** prevzamejo vaše odsluženo orodje. O tem se pozanimajte pri servisni službi **Hilti** ali svojem prodajnem svetovalcu.



- ▶ Električnih orodij, naprav in akumulatorskih baterij ne zavrzite skupaj z gospodinjskimi odpadki!

11 China RoHS (direktiva o omejevanju uporabe določenih nevarnih snovi)

Na spodnji povezavi najdete preglednico z nevarnimi snovmi: qr.hilti.com/r4902202. Povezavo do preglednice RoHS najdete na koncu tega dokumenta v obliki kode QR.

12 Proizvajalčeva garancija

- ▶ V primeru vprašanj o garancijskih pogojih se obrnite na lokalnega partnerja **Hilti**.



Originalne upute za uporabu

1 Podaci o uputi za uporabu

1.1 Uz ove upute za uporabu

- Prije početka rada pročitajte ovu uputu za uporabu. To je preduvjet za siguran rad i neometano rukovanje.
- Pridržavajte se sigurnosnih napomena i upozoravajućih naputaka u ovim uputama za uporabu i na proizvodu.
- Ove upute za uporabu uvijek čuvajte u blizini proizvoda i prosljedite ga drugim osobama samo zajedno s uputama za uporabu.

1.2 Objašnjenje znakova

1.2.1 Upozoravajući naputci

Upozoravajući naputci upozoravaju na opasnost prilikom rukovanja proizvodom. Koriste se sljedeće signalne riječi:

OPASNOST

OPASNOST !

- ▶ Znači moguću neposrednu opasnu situaciju, koja može prouzročiti tjelesne ozljede ili smrt.

UPOZORENJE

UPOZORENJE !

- ▶ Ova riječ skreće pozornost na moguću opasnu situaciju koja može uzrokovati teške tjelesne ozljede ili smrt.





OPREZ

OPREZ !

- ▶ Ova riječ skreće pozornost na moguću opasnu situaciju koja može uzrokovati tjelesne ozljede ili materijalnu štetu.





1.2.2 Simboli u uputama za uporabu

U ovim uputama za uporabu koriste se sljedeći simboli:

	Pridržavajte se uputa za uporabu
	Napomene o primjeni i druge korisne informacije
	Rukovanje materijalima koji se mogu ponovno preraditi
	Električne uređaje i akumulatorske baterije ne bacajte u kućni otpad

1.2.3 Simboli na slikama

Koriste se sljedeći simboli na slikama:

	Ovi brojevi odnose se na određene slike na početku ovih uputa za uporabu.
	Numeriranjem na slikama upućuje se na važne radne korake ili na sastavne dijelove koji su važni za radne korake. U tekstu su ti radni koraci ili sastavni dijelovi istaknuti odgovarajućim brojevima, npr. (3) .
	Brojevi položaja koriste se na slici Pregled i odnose se na brojeve legende u odlomku Pregled proizvoda .
	Ovaj znak upućuje da trebate biti posebno pažljivi prilikom rukovanja proizvodom.



1.3 Simboli ovisno o proizvodu

1.3.1 Simboli na proizvodu

Koriste se sljedeći simboli na proizvodu:

	Bušenje s udarcem (udarno bušenje)
	Rad dlijetom
	Pozicioniranje dlijeta
	Klasa zaštite II (dvostruka izolacija)
/min	Okretaji u minuti
n_0	Dimenzionirani broj okretaja u praznom hodu
\emptyset	Promjer
	Bežični prijenos podataka

1.4 Informacije o proizvodu

proizvodi su namijenjeni profesionalnom korisniku i smije ih posluživati, održavati i servisirati samo ovlašteno kvalificirano osoblje. To osoblje mora biti posebno podučeno o mogućim opasnostima. Proizvod i njemu pripadajuća pomoćna sredstva mogu biti opasna ako ih nepropisno i neispravno upotrebljava neosposobljeno osoblje.

Oznaka tipa i serijski broj navedeni su na označnoj pločici.

- Prepišite serijski broj u sljedeću tablicu. Podaci o proizvodu potrebni su vam prilikom kontaktiranja našeg zastupništva ili servisa.

Podaci o proizvodu

Kombinirana udarna bušilica	TE 50-AVR
Generacija	03
Serijski br.	

1.5 Izjava o sukladnosti

Pod vlastitom odgovornošću izjavljujemo da je ovdje opisani proizvod sukladan s važećim smjericama i normama. Sliku izjave o sukladnosti naći ćete na kraju ove dokumentacije.

Tehnička dokumentacija kod:

Hilti Entwicklungsgesellschaft mbH | Zulassung Geräte | Hiltistraße 6 | 86916 Kaufering, DE

2 Sigurnost

2.1 Opće sigurnosne napomene za električne alate

⚠ UPOZORENJE Pročitajte sve sigurnosne napomene, naputke, slike i tehničke podatke kojima je opremljen ovaj električni alat. Propusti u pridržavanju sljedećih naputaka mogu dovesti do električnog udara, požara i/ili teških ozljeda.

Molimo sačuvajte sve sigurnosne napomene i upute za ubuduće.

Pojam "električni alat" korišten u sigurnosnim napomenama odnosi se na električne alate s napajanjem iz električne mreže (s mrežnim vodom) i na električne alate na akumulatorski pogon (bez mrežnog voda).

Sigurnost na radnom mjestu

- **Područje rada održavajte čistim i osvijetljenim.** Nered i neosvijetljeno područje rada mogu dovesti do nezgoda.
- **S električnim alatom ne radite u okolini ugroženoj eksplozijom u kojoj se nalaze zapaljive tekućine, plinovi ili prašine.** Električni alati proizvode iskre koje mogu zapaliti prašinu ili pare.
- **Djecu i ostale osobe tijekom korištenja električnog alata udaljite iz područja rada.** Ako niste usredotočeni na rad, mogli biste izgubiti kontrolu nad uređajem.



Električna sigurnost

- ▶ **Priključni utikač električnog alata mora odgovarati utičnici.** Na utikaču se ni u kojem slučaju ne smiju izvoditi izmjene. Ne koristite adapterske utikače zajedno sa zaštitno uzemljenim električnim alatima. Nepromijenjeni utikači i odgovarajuće utičnice smanjuju opasnost od električnog udara.
- ▶ **Izbjegavajte dodir tijela s uzemljenim površinama kao što su cijevi, radijatori, štednjaci i hladnjaci.** Postoji povećana opasnost od električnog udara ako je vaše tijelo uzemljeno.
- ▶ **Električni alat držite dalje od kiše ili vlage.** Prodiranje vode u električni alat povećava opasnost od električnog udara.
- ▶ **Priključni vod ne upotrebljavajte za nošenje ili vješanje električnog alata odnosno za izvlačenje utikača iz utičnice.** Priključni vod držite dalje od izvora topline, ulja, oštrih rubova ili pokretljivih dijelova. Oštećeni ili zapleteni priključni vodovi povećavaju opasnost od električnog udara.
- ▶ **Ako s električnim alatom radite na otvorenom, upotrebljavajte samo produžne kabele dobre odobrene za uporabu na otvorenom.** Primjena produžnog kabela prikladnog za uporabu na otvorenom smanjuje opasnost od električnog udara.
- ▶ **Ako ne možete izbjeći rad električnog alata u vlažnom okruženju, koristite zaštitnu strujnu sklopku.** Uporaba zaštitne strujne sklopke smanjuje opasnost od električnog udara.

Sigurnost ljudi

- ▶ **Budite oprezni, pazite što činite i kod rada s električnim alatom postupajte razumno.** Električni alat ne koristite ako ste umorni ili pod utjecajem opojnih sredstava, alkohola ili lijekova. Trenutak nepažnje prilikom uporabe električnog alata može dovesti do ozbiljnih tjelesnih ozljeda.
- ▶ **Nosite zaštitnu opremu i uvijek nosite zaštitne naočale.** Nošenje zaštitne opreme, kao što su zaštitna maska, protuklizne zaštitne cipele, zaštitna kaciga ili zaštitne slušalice, ovisno o vrsti i primjeni električnog alata, smanjuje opasnost od ozljeda.
- ▶ **Izbjegavajte nehotično stavljanje u pogon.** Uvjerite se da je električni alat isključen prije nego što ga priključite na napajanje strujom i/ili akumulatorsku bateriju, ili ga primite ili nosite. Ako kod nošenja električnog alata prst držite na prekidaču ili ako je uređaj uključen i priključen na električnu mrežu, to može dovesti do nezgoda.
- ▶ **Prije nego što uključite električni alat, uklonite alate za podešavanje ili vijčane ključeve.** Alat ili ključ, koji se nalazi u rotirajućem dijelu uređaja, može uzrokovati nezgode.
- ▶ **Izbjegavajte nenormalan položaj tijela.** Zauzmite siguran i stabilan položaj tijela i u svakom trenutku održavajte ravnotežu. Na taj način možete električni alat bolje kontrolirati u neočekivanim situacijama.
- ▶ **Nosite prikladnu odjeću.** Ne nosite široku odjeću ili nakit. Neka vaša kosa, odjeća i rukavice budu što dalje od pomičnih dijelova. Široku odjeću, nakit ili dugu kosu mogu zahvatiti pomični dijelovi.
- ▶ **Ako se mogu montirati uređaji za usisavanje i skupljanje prašine, provjerite jesu li isti priključeni i rabe li se pravilno.** Uporaba usisavača može smanjiti opasnost.
- ▶ **Nemojte se uljuljati u lažnu sigurnost i obratite pozornost na sigurnosna pravila za električne alate iako ste nakon česte uporabe upoznati s električnim alatom.** Nepažljivo rukovanje može u djeliću sekunde uzrokovati teške tjelesne ozljede.

Uporaba i rukovanje električnim alatom

- ▶ **Ne preopterećujte uređaj.** Za vaše radove koristite za to predviđen električni alat. S odgovarajućim električnim alatom radit ćete bolje i sigurnije u navedenom području snage.
- ▶ **Ne upotrebljavajte električni alat s neispravnim prekidačem.** Električni alat, koji se više ne može uključiti ili isključiti, opasan je i treba se popraviti.
- ▶ **Izvučite utikač iz utičnice i/ili izvadite akumulatorsku bateriju iz uređaja prije namještanja uređaja, zamjene dijelova pribora ili odlaganja uređaja.** Ovim mjerama opreza spriječit će se nehotično pokretanje električnog alata.
- ▶ **Električne alate, koji se ne koriste, spremite izvan dosega djece.** Nemojte dopustiti da uređaj koriste osobe koje s njim nisu upoznate ili koje nisu pročitale upute za uporabu. Električni alati su opasni ako ih koriste neiskusne osobe.
- ▶ **Pažljivo održavajte električne alate i pribor.** Kontrolirajte rade li pokretljivi dijelovi besprijekorno i nisu li zaglavljivi, te jesu li dijelovi polomljeni ili tako oštećeni da negativno djeluju na funkciju električnog alata. Oštećene dijelove popravite prije uporabe uređaja. Mnoge nezgode uzrokovane su lošim održavanjem električnih alata.
- ▶ **Rezne alate održavajte oštrim i čistim.** Brižljivo održavani rezni alati s oštrim reznim rubovima neće se zaglaviti i lakši su za vođenje.
- ▶ **Koristite električni alat, pribor, nastavke itd. sukladno ovim uputama.** Pritom uzmite u obzir radne uvjete i izvođene radove. Uporaba električnih alata za neke druge primjene različite od predviđenih može dovesti do opasnih situacija.



- ▶ **Ručke i rukohvate držite suhim, čistim i bez ostataka ulja i masti.** Skliske ručke i rukohvati ne omogućuju sigurno rukovanje i kontrolu električnog alata u nepredviđenim situacijama.

Servisiranje

- ▶ **Popravak električnih alata prepustite samo kvalificiranom stručnom osoblju i samo s originalnim rezervnim dijelovima.** Na taj način će se postići održavanje sigurnosti električnog alata.

2.2 Sigurnosne napomene za čekić

Sigurnosne napomene za sve radove

- ▶ **Nosite štitičke za sluh.** Djelovanje buke može uzrokovati gubitak sluha.
- ▶ **Upotrebļjavajte dodatne rukohvate isporučene s uređajem.** Gubitak kontrole može uzrokovati tjelesne ozljede.
- ▶ **Uređaj pridržavajte samo za izolirane prihvatne površine ako izvodite radove kod kojih usadnik može udariti o sakrivene strujne vodove ili o vlastiti mrežni kabel.** Kontakt s provodljivim vodom može pod napon staviti i metalne dijelove uređaja te dovesti do električnog udara.

Sigurnosne napomene kod uporabe dugog svrdla

- ▶ **Uvijek započnite postupak bušenja s manjim brojem okretaja i dok svrdlo dodiruje predmet obrade.** Pri većem broju okretaja svrdlo se može lagano saviti ako se može slobodno okretati bez dodirivanja predmeta obrade i može dovesti do ozljeda.
- ▶ **Ne vršite preveliki pritisak i samo u uzdužnom smjeru svrdla.** Svrdla se mogu saviti i puknuti ili dovesti do gubitka kontrole i ozljeda.

2.3 Dodatne sigurnosne napomene

Sigurnost ljudi

- ▶ Proizvod koristite samo ako je u tehnički besprijekornom stanju.
- ▶ Ne izvodite manipulacije ili preinake na uređaju.
- ▶ Prilikom probijanja osigurajte područje na suprotnoj strani rada. Mogli bi ispasti i / ili se srušiti komadići materijala i ozlijediti druge osobe.
- ▶ Uređaj uvijek držite čvrsto s obje ruke za predviđene rukohvate. Rukohvate održavajte suhim i čistim.
- ▶ Uхватite bočni rukohvat uvijek s vanjske strane. Pri bušenju i vijčanju uređaj se može bočno izmaknuti.
- ▶ Izbjegavajte dodir s rotirajućim dijelovima - opasnost od ozljede!
- ▶ Tijekom uporabe uređaja nosite odgovarajuće zaštitne naočale, zaštitnu kacigu, zaštitne slušalice, zaštitne rukavice i laganu zaštitu organa za disanje.
- ▶ Prilikom zamjene alata nosite zaštitne rukavice. Dodirivanje nastavka može uzrokovati posjekotine i opekline.
- ▶ Nosite zaštitne naočale. Odlomljeni materijal može ozlijediti tijelo i oči.
- ▶ Prije početka rada utvrdite razred opasnosti prašine koja nastaje pri radu. Koristite građevinski usisavač sa službeno dozvoljenom klasifikacijom zaštite koja odgovara Vašim lokalnim propisima o zaštiti protiv prašine.
- ▶ Po mogućnosti koristite uređaj za usisavanje prašine i prikladni mobilni usisavač. Prašine materijala kao što su premaz koji sadrži olovo, neke vrste drva, beton/zidovi/kamen koji sadrže kvarc te minerali i metali mogu biti štetni za zdravlje.
- ▶ Pobrinite se za dobro prozračivanje radnoga mjesta i po potrebi nosite zaštitnu masku koja je prikladna za određenu vrstu prašine. Dodirivanje ili udisanje prašina mogu uzrokovati alergijske reakcije i/ili bolesti dišnih putova korisnika ili osoba koje se nalaze u blizini. Određene vrste prašina kao što su hrastova ili bukova prašina mogu uzrokovati rak, naročito kada su u spoju s dodacima za obradu drva (kromat, sredstvo za zaštitu drva). Materijal, koji sadrži azbest, smije obrađivati samo stručno osoblje.
- ▶ Napravite stanke u radu i vježbe za bolju prokrvljenost prstiju. Kod duljeg rada mogu se zbog vibracija pojaviti smetnje na krvnim žilama ili živčanom sustavu prstiju, ruku i ručnih zglobova.

Električna sigurnost

- ▶ Prije početka rada provjerite ima li u području rada sakrivenih električnih vodova, plinskih i vodovodnih cijevi. Vanjski metalni dijelovi uređaja mogu uzrokovati električni udar ako ste nehotice oštetili električni vod.

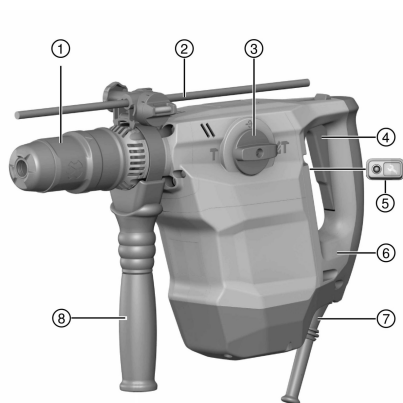
Pažljivo rukovanje i uporaba električnih alata

- ▶ Ako električni alat blokira, odmah ga isključite. Uređaj se može bočno izmaknuti.
- ▶ Prije nego odložite električni alat, pričekajte dok se u potpunosti ne zaustavi.



3 Opis

3.1 Pregled proizvoda 1



- ① Stezna glava
- ② Graničnik dubine
- ③ Sklopka za izbor funkcija
- ④ Upravljačka sklopka
- ⑤ Servisni indikator
- ⑥ Mrežni kabel
- ⑦ Bočni rukohvat

3.2 Izvedba s utičnim kabelom 2

- ① Tipka za blokadu
- ② Priključak na električni uređaj
- ③ Mrežni kabel s kodiranim, odvojivim utičnim spojem

3.3 Namjenska uporaba

Opisani proizvod je kombinirana udarna bušilica na električni pogon s pneumatskim mehanizmom za udaranje. Namijenjena je za bušenje u betonu, zidovima, drvu i metalu. Proizvod se dodatno može rabiti za lakše do srednje teške radove dlijetom i doradu na betonu.

- Bušilicom smijete raditi samo kada je priključena na mrežni napon i frekvenciju koji su navedeni na označnoj pločici.

3.4 Moguća pogrešna uporaba

- Ova proizvod nije namijenjen za obradu materijala opasnih po zdravlje.
- Ovaj proizvod nije prikladan za radove u vlažnom okruženju.

3.5 Active Vibration Reduction

Proizvod je opremljen sustavom Active Vibration Reduction (AVR) koji znatno smanjuje vibracije.

3.6 Brzostezna glava (pribor)

Brzostezna glava omogućuje brzu zamjenu alata bez uporabe dodatnih alata. Prikladna je za alate s cilindričnim ili šesterokutnim prihvatom koji se koriste u načinu rada „Bez udaraca” .

3.7 Indikator servisa

Proizvod je opremljen indikatorom servisa s lampicom.

Stanje	Značenje
Indikator servisa svijetli	Dostignuto je vrijeme za servis.
Indikator servisa treperi	Oštećenja na proizvodu. Kombiniranu udarnu bušilicu odnesite na popravak u Hilti servis.

3.8 Sadržaj isporuke

Kombinirana udarna bušilica, bočni rukohvat, upute za uporabu.



4 Tehnički podaci

4.1 Kombinirana udarna bušilica



Dimenzionirani napon, dimenzioniranu struju, frekvenciju i/ili dimenzioniranu potrošnju pronaći ćete na označnoj pločici koja je specifična za zemlju.

Pri radu na generatoru ili transformatoru njegova izlazna snaga mora biti najmanje dvostruko veća od dimenzionirane potrošnje navedene na označnoj pločici uređaja. Radni napon transformatora ili generatora mora u svakom trenutku biti između +5 % i -15 % dimenzioniranog napona uređaja.

	TE 50-AVR
Težina prema EPTA-postupku 01	6,1 kg
Temperatura skladištenja	-20 °C ... 70 °C
Okolna temperatura pri radu	-17 °C ... 60 °C
Ø udarnog svrdla	12 mm ... 32 mm
Ø svrdla za drvo	6 mm ... 35 mm
Ø svrdla za metal	6 mm ... 13 mm

4.2 Informacije o buci i vrijednosti vibracije sukladno EN 62841

Razina zvučnog tlaka i razina titranja koje su navedene u ovim uputama, izmjerene su skladno normiranom postupku mjerenja te se mogu koristiti za međusobnu usporedbu električnih alata. Primjerene su i za privremenu procjenu ekspozicija.

Navedeni podaci predstavljaju glavne primjene električnog alata. Ako se električni alat inače koristi za druge primjene s nastavcima, koji se razlikuju ili nisu dovoljno dobro održavani, podaci se mogu razlikovati. To može znatno povećati ekspozicije tijekom cjelokupnog radnog vijeka.

Za točnu procjenu ekspozicija trebaju se uzeti u obzir i vremena, tijekom kojih je električni alat bio isključen ili je radio, ali se zapravo nije koristio. To može znatno smanjiti ekspozicije tijekom cjelokupnog radnog vijeka.

Određite dodatne sigurnosne mjere za zaštitu korisnika prije djelovanja zvuka i/ili titranja kao npr: Održavanje električnog alata i nastavaka, održavanje toplih ruku, organizacija tokova rada.

Vrijednosti emisije buke

	TE 50-AVR
Razina zvučne snage (L_{WA})	108 dB(A)
Nesigurnost razine zvučne snage (K_{WA})	3 dB(A)
Razina zvučnog tlaka (L_{pA})	97 dB(A)
Nesigurnost razine zvučnog tlaka (K_{pA})	3 dB(A)

Ukupne vrijednosti vibracija

	TE 50-AVR
Bušenje u metal ($a_{h,D}$)	< 5 m/s ²
Udarno bušenje u beton ($a_{h,HD}$)	8,8 m/s ²
Rad dljetom ($a_{h,Ched}$)	7,1 m/s ²
Nesigurnost za navedene vrijednosti vibracija (K)	1,5 m/s ²

5 Rukovanje

5.1 Priprema rada



OPREZ

Opasnost od ozljede! Nehotično pokretanje proizvoda.

- ▶ izvucite mrežni utikač iz utičnice prije namještanja uređaja ili zamjene dijelova pribora.

Pridržavajte se sigurnosnih napomena i upozoravajućih naputaka u ovoj dokumentaciji i na proizvodu.



5.1.1 Montaža bočnog rukohvata

1. Zakrenite rukohvat kako biste otpustili držač (zateznu traku) bočnog rukohvata.
2. Držač (zateznu traku) pomičite sprijeda preko stezne glave u za to predviđeni utor.
3. Postavite bočni rukohvat u željeni položaj.
4. Zakrenite rukohvat kako biste zategnuli držač (zateznu traku) bočnog rukohvata.

5.1.2 Montaža graničnika dubine (opcionalno)

1. Zakrenite rukohvat kako biste otpustili držač (zateznu traku) bočnog rukohvata.
2. Graničnik dubine pomičite sprijeda u za to predviđene 2 rupice za vođenje.
3. Zakrenite rukohvat kako biste zategnuli držač (zateznu traku) bočnog rukohvata.
 - ▶ Graničnik dubine je montiran. Za podešavanje dubine bušenja:
4. Odvrnite vijak na graničniku dubine.
5. Graničnik dubine podesite na željenu dubinu bušenja.
6. Pritegnite vijak na graničniku dubine.

5.1.3 Umetanje/vađenje nastavka

OPREZ

Opasnost od ozljede zbog nastavka! Usadnici mogu biti vrući ili oštri.

- ▶ Prilikom zamjene nastavka nosite zaštitne rukavice.

1. Lagano podmažite usadnik nastavka.
2. Utaknite nastavak do kraja u steznu glavu i pustite da uskoči u ležište.
 - ▶ Proizvod je spreman za rad.
3. Blokadu alata povucite do kraja unatrag i izvadite nastavak.



Koristite samo originalnu mast **Hilti**. Uporaba neodgovarajuće masti može uzrokovati oštećenje proizvoda.

5.2 Rad

OPREZ

Opasnost od oštećenja zbog pogrešnog rukovanja!

- ▶ Nemojte pritisnuti preklapnik za smjer okretanja i/ili odabir funkcije tijekom rada.

Pridržavajte se sigurnosnih napomena i upozoravajućih naputaka u ovoj dokumentaciji i na proizvodu.

5.2.1 Bušenje s udarcem (udarno bušenje)

1. Sklopku za izbor funkcija stavite u položaj "Udarno bušenje"
2. Stavite svrdlo na podlogu.
3. Pritisnite upravljačku sklopku.
 - ▶ Proizvod se pokreće.

5.3 Pozicioniranje dlijeta

OPREZ

Opasnost od ozljede! Gubitak kontrole nad smjerom rada dlijeta.

- ▶ Nikada ne radite u položaju "Pozicioniranje dlijeta". Sklopku za izbor funkcija stavite u položaj "Rad dlijetom" dok ne uskoči.



Dlijeto se može fiksirati u 24 različita položaja (u koracima od 15°). Time se plosnatim i oblikovnim dlijetima uvijek može raditi u optimalnom radnom položaju.

1. Sklopku za izbor funkcija stavite u položaj "Pozicioniranje dlijeta"
2. Okrenite dlijeto u željeni položaj.
3. Sklopku za izbor funkcija stavite u položaj "Rad dlijetom" dok ne uskoči.
 - ▶ Proizvod je spreman za rad.



5.3.1 Rad dljetom

- ▶ Sklopku za izbor funkcija stavite u položaj "Rad dljetom" **T**.

5.3.2 Uključivanje/isključivanje neprekidnog rada



U načinu rada dljetom prekidač za uključivanje/isključivanje možete blokirati u uključenom stanju.

1. Gumb za fiksiranje neprekidnog rada pomaknite prema naprijed.
2. Do kraja pritisnite prekidač za uključivanje/isključivanje.
 - ▶ Proizvod sada radi neprekidno.
3. Gumb za fiksiranje neprekidnog rada pomaknite prema natrag.
 - ▶ Proizvod se isključuje.

6 Utični kabel

6.1 Priključivanje utičnog mrežnog kabela

OPREZ

Opasnost od ozljede uslijed površinskih struja kod zaprljanih kontakata.

- ▶ Spojite odvojivi električni spoj samo u čistom, suhom i beznaponskom stanju s električnim uređajem.

1. Uvedite kodirani, odvojivi električni utični spoj do kraja u uređaj sve dok blokada čujno ne uskoči u ležište.
2. Utaknite mrežni utikač u utičnicu.

6.2 Odvajanje utičnog mrežnog kabela s električnog uređaja

1. Izvucite mrežni utikač iz utičnice.
2. Pritisnite tipku za blokadu i izvucite kodirani, odvojivi električni utični spoj.
3. Izvucite mrežni kabel iz uređaja.

7 Čišćenje i održavanje

UPOZORENJE

Opasnost od električnog udara! Čišćenje i održavanje s utaknutim mrežnim utikačem može dovesti do teških ozljeda ili opekline.

- ▶ Prije svih radova čišćenja i održavanja uvijek izvucite mrežni utikač!

Čišćenje

- Oprezno uklonite čvrsto prljanu prljavštinu.
- Prereze za prozračivanje pažljivo očistite suhom četkom.
- Kucište čistite samo lagano navlaženom krpom. Ne upotrebljavajte silikonska sredstva za čišćenje jer mogu nagristi plastične dijelove.

Održavanje

UPOZORENJE

Opasnost uslijed električnog udara! Nestručni popravci na električnim sastavnim dijelovima mogu uzrokovati teške ozljede i opekline.

- ▶ Popravke električnih dijelova smije obavljati samo električar.
- Redovito provjeravajte je li na svim vidljivim dijelovima došlo do oštećenja i funkcioniraju li besprijekorno svi upravljački elementi.
- U slučaju oštećenja i/ili smetnji u radu ne radite s proizvodom. Odmah ga odnesite na popravak u **Hilti** servis.
- Nakon čišćenja i održavanja postavite sve zaštitne uređaje i provjerite funkcioniraju li.



Za siguran rad koristite samo originalne rezervne dijelove i potrošni materijal. Rezervne dijelove, potrošni materijal i dodatni pribor, koji smo odobrili za vaš proizvod, pronaći ćete u vašoj **Hilti Store** ili na: www.hilti.group.



8 Transport i skladištenje

- Električni uređaj ne transportirajte s utaknutim alatom.
- Prilikom skladištenja električnog uređaja mrežni utikač mora biti izvucen iz utičnice.
- Uređaj čuvajte na mjestu koje je suho i nedostupno djeci i neovlaštenim osobama.
- Nakon dužeg transporta ili skladištenja prije upotrebe provjerite je li električni uređaj oštećen.

9 Pomoć u slučaju smetnji

U slučaju smetnji, koje nisu navedene u ovoj tablici ili koje ne možete sami ukloniti, obratite se našem **Hilti** servisu.

9.1 Pomoć u slučaju smetnji

Smetnja	Mogući uzrok	Rješenje
Uređaj se ne pokreće.	Prekinuto je napajanje strujom	► Uključite neki drugi električni uređaj i provjerite funkciju.
	Aktivirana je elektronička blokada pokretanja nakon prekida napajanja strujom.	► Isključite uređaj i ponovno ga uključite.
Nema udaranja.	Uređaj je prehladan.	► Postavite udarnu bušilicu na podlogu i ostavite je neka radi u praznom hodu. Po potrebi ponovite postupak sve dok mehanizam za udaranje ne proradi.
Kombinirana udarna bušilica nema punu snagu.	Produžni kabel ima premali promjer.	► Upotrebjavajte produžni kabel s odgovarajućim promjerom.
	Napajanje strujom ima prenikak napon.	► Kombiniranu udarnu bušilicu priključite na drugo napajanje strujom.
Svrdlo se ne okreće.	Sklopka za izbor funkcija nije uskočila u ležište ili je u položaju "Rad dlijetom" ili "Pozicioniranje dlijeta" .	► Sklopku za izbor funkcija stavite u položaj "Udarno bušenje" .
Svrdlo se ne može osloboditi iz blokade.	Steza glava nije potisnuta do kraja.	► Blokadu alata povucite do kraja unatrag i izvadite alat.
	Bočni rukohvat nije pravilno montiran.	► Popustite bočni rukohvat i pravilno ga montirajte tako da zatezna traka i bočni rukohvat uskoče u udubljenje.
Indikator servisa svijetli nakon zamjene ugljenih četkica.	Kontakti još nisu zatvoreni.	► Ostavite ugljene četkice da se razrade tako da ih ostavite da neprekidno rade najmanje 1 minutu u praznom hodu.

10 Zbrinjavanje otpada

Hilti Uređaji su većim dijelom izrađeni od materijala koji se mogu ponovno preraditi. Pretpostavka za to je njihovo stručno razvrstavanje. U mnogim zemljama **Hilti** preuzima vaš stari uređaj na recikliranje. Raspitajte se u **Hilti** servisnoj službi ili kod vašeg prodajnog savjetnika.



- Električne alate, elektroničke uređaje i akumulatorske baterije ne bacajte u kućni otpad!

11 RoHS (Direktiva za ograničenje uporabe opasnih tvari)

Pod sljedećim linkom naći ćete tablicu opasnih tvari: qr.hilti.com/r4902202.

Link za RoHS tablicu naći ćete na kraju ove dokumentacije u obliku QR koda.



- ▶ Ukoliko imate pitanja glede jamstvenih uvjeta, obratite se svojem lokalnom **Hilti** partneru.

Originalno uputstvo za upotrebu

1 Podaci o uputstvu za upotrebu

1.1 O ovom uputstvu za upotrebu

- Detaljno pročitajte uputstvo za upotrebu pre početka rada. To predstavlja predušlov za bezbedan rad i nesmetano rukovanje.
- Obratite pažnju na bezbednosne i upozoravajuće napomene koje se nalaze u ovom uputstvu za upotrebu i na proizvodu.
- Uputstvo za upotrebu uvek čuvajte na proizvodu i samo sa ovim uputstvom za upotrebu prosleđujte proizvod dalje drugim osobama.

1.2 Legenda

1.2.1 Upozoravajuće napomene

Upozoravajuće napomene upozoravaju na opasnosti pri rukovanju proizvodom. Koriste se sledeće signalne reči:

OPASNOST

OPASNOST !

- ▶ Znači neposrednu opasnu situaciju, koja može prouzrokovati telesne povrede ili smrt.

UPOZORENJE

UPOZORENJE !

- ▶ Ova reč skreće pažnju na moguću opasnost koja može prouzrokovati tešku telesnu povredu ili smrt.





OPREZ

OPREZ !

- ▶ Za moguću opasnu situaciju koja može da dovede do telesnih povreda ili do materijalne štete.

1.2.2 Simboli u uputstvu za upotrebu

Sledeći simboli se koriste u ovom uputstvu za upotrebu:

	Poštovanje uputstva za upotrebu
	Napomene o primeni i druge korisne informacije
	Rad sa reciklažnim materijalima
	Električne uređaje i baterije ne odlažite u kućni otpad

1.2.3 Simboli na slikama

Sledeći simboli se koriste na slikama:

2	Ovi brojevi se odnose na odgovarajuću sliku sa početka ovog uputstva za upotrebu.
3	Numeracija na slikama ukazuje na važne radne korake ili na komponente koje su važne za radne korake. Ovi radni koraci ili komponente su u tekstu istaknute odgovarajućim brojevima, npr. (3) .
11	Pozicioni brojevi se koriste na slici Pregled i odnose se na brojeve legende u poglavlju Pregled proizvoda .





Ovaj znak treba da vam skrene posebnu pažnju prilikom rukovanja sa proizvodom.

1.3 Simboli koji se odnose na proizvod

1.3.1 Simboli na proizvodu

Sljedeći simboli se koriste na proizvodu:

	Bušenje pomoću udara (udarno bušenje)
	Klesanje
	Pozicioniranje dleta
	Klasa zaštite II (dvostruka izolacija)
/min	Broj obrtaja u minuti
n_0	Nominalni broj obrtaja u praznom hodu
\varnothing	Prečnik
	Bežični prenos podataka

1.4 Informacije o proizvodu

HILTI proizvodi su namenjeni za profesionalnog korisnika, a njima sme da rukuje, da ih održava ili popravlja samo ovlašćeno, upućeno osoblje. To osoblje mora biti posebno upoznato sa mogućim opasnostima. Proizvod i njegova pomoćna sredstva mogu da budu opasni ako ih neobučena lica nestručno tretiraju ili ako se ne koriste namenski.

Oznaka tipa i serijski broj su navedeni na tipskoj pločici.

- Prenesite serijski broj u sledeću tabelu. Podaci o proizvodu će vam biti potrebni kada budete kontaktirali naše predstavništvo ili servis.

Podaci o proizvodu

Kombinovana udarna bušilica	TE 50-AVR
Generacija	03
Serijski br.	

1.5 Izjava o usklađenosti

Pod vlastitom odgovornošću izjavljujemo da je ovde opisani proizvod u skladu sa važećim smernicama i normama. Primerak izjave o usklađenosti nalazi se na kraju ove dokumentacije.

Tehnička dokumentacija se čuva ovde:

Hilti Entwicklungsgesellschaft mbH | Zulassung Geräte | Hiltistraße 6 | 86916 Kaufering, DE

2 Sigurnost

2.1 Opšte sigurnosne napomene za električne alate

⚠ UPOZORENJE Pročitajte pažljivo sigurnosne napomene, uputstva, pregledajte slike i pročitajte tehničke podatke, koje idu uz ovaj električni alat. Greške kod pridržavanja sledećih sigurnosnih napomena i uputstava mogu dovesti do električnog udara, požara i/ili teških povreda.

Molimo sačuvajte sve sigurnosne napomene i uputstva za ubuduće.

Pojam "električni alat" korišćen u sigurnosnim napomenama odnosi se na električne alate sa napajanjem iz električne mreže (sa mrežnim kablom) i na električne alate sa pogonom na akumulatore (bez mrežnog kabla).

Sigurnost na radnom mestu

- **Područje rada održavajte čistim i osvetljenim.** Nered i neosvetljeno radno područje mogu dovesti do nezgoda.
- **Sa električnim alatom ne radite u okolini ugroženoj eksplozijom, u kojoj se nalaze zapaljive tečnosti, gasovi ili prašine.** Električni alati proizvode iskre koje mogu zapaliti prašinu ili isparenja.



- ▶ **Decu i ostale osobe tokom korišćenja električnog alata udaljite iz područja rada.** Ako biste skrenuli pažnju sa posla mogli biste izgubiti kontrolu nad uređajem.

Električna sigurnost

- ▶ **Priključni utikač električnog alata treba da odgovara utičnici. Na utikaču se ni u kom slučaju ne smeju izvoditi izmene. Ne koristite adapterske utikače zajedno sa zaštitno uzemljenim električnim alatima.** Nepromenjeni utikači i odgovarajuće utičnice smanjuju opasnost od električnog udara.
- ▶ **Izbegavajte dodir tela sa uzemljenim površinama kao što su cevi, radijatori, šporeti i frižideri.** Postoji povećana opasnost od električnog udara ako je vaše telo uzemljeno.
- ▶ **Električni alat držite dalje od kiše ili vlage.** Prodiranje vode u električni alat povećava opasnost od električnog udara.
- ▶ **Kabl ne upotrebljavajte za nošenje ili vešanje električnog alata odnosno za izvlačenje utikača iz utičnice. Kabl držite dalje od izvora topline, ulja, oštih ivica ili pokretnih delova.** Oštećeni ili zapleteni kablovi povećavaju opasnost od električnog udara.
- ▶ **Ako sa električnim alatom radite na otvorenom prostoru, upotrebljavajte samo produžne kablove odobrene za upotrebu na otvorenom prostoru.** Primena produžnog kabla prikladnog za upotrebu na otvorenom prostoru smanjuje opasnost od električnog udara.
- ▶ **Ako ne možete izbeći rad električnog alata u vlažnom okruženju, koristite zaštitnu strujnu sklopku.** Upotreba zaštitne strujne sklopke smanjuje opasnost od električnog udara.

Sigurnost ljudi

- ▶ **Budite oprezni, pazite šta činite i kod rada sa električnim alatom postupajte razumno. Nemojte koristiti električni alat, ako ste umorni ili ste pod uticajem droga, alkohola ili lekova.** Momenat nepažnje prilikom upotrebe električnog alata može da dovede do ozbiljnih povreda.
- ▶ **Nosite sredstva lične zaštite i uvek zaštitne naočare.** Nošenje sredstava lične zaštite, kao što su zaštitna maska, sigurnosne cipele koje ne klize, zaštitna kaciga ili štitnik za sluh, u zavisnosti od vrste i primene električnog alata, smanjuje opasnost od nezgoda.
- ▶ **Izbegavajte nehotično stavljanje u pogon. Uverite se, da je električni alat isključen, pre nego što priključite snabdevanje naponom i/ili akumulator, ili ga primite ili nosite.** Ako kod nošenja električnog alata prst držite na prekidaču ili ako je alat uključen i priključen na električnu mrežu, to može dovesti do nezgoda.
- ▶ **Pre nego što uključite električni alat, uklonite alate za podešavanje ili vijčane ključeve.** Alat ili ključ koji se nalazi u rotirajućem delu alata može dovesti do nezgoda.
- ▶ **Izbegavajte nenormalan položaj tela. Zauzmite siguran i stabilan položaj tela i u svakom trenutku održavajte ravnotežu.** Na taj način električni alat možete bolje kontrolisati u neočekivanim situacijama.
- ▶ **Nosite prikladnu odeću. Ne nosite široku odeću ili nakit. Neka vaša kosa, odeća i rukavice budu što dalje od pokretnih delova.** Opuštenu odeću, nakit ili dugu kosu mogu zahvatiti pokretni delovi alata.
- ▶ **Ako su montirani alati za usisavanje i hvatanje prašine, proverite jesu li isti priključeni i da li se pravilno koriste.** Upotreba usisivača može smanjiti opasnost.
- ▶ **Nikada nemojte da se osećate previše sigurnim i nikada nemojte da se ne pridržavate pravila u vezi rukovanja električnim alatom, iako ste nakon dužeg rada dobro upoznati sa radom sa električnim alatom.** Neodgovornim rukovanjem moguće je za samo nekoliko sekundi zadobiti teške povrede.

Upotreba i rukovanje električnim alatom

- ▶ **Ne preopterećujte alat. Za vrstu posla koji obavljate koristite za to predviđen električni alat.** Sa odgovarajućim električnim alatom radite bolje i sigurnije, u navedenom području snage.
- ▶ **Ne upotrebljavajte električni alat sa neispravnim prekidačem.** Električni alat koji se više ne može uključiti ili isključiti, opasan je i treba ga popraviti.
- ▶ **Izvcute utikač iz utičnice i/ili izvadite akumulator koji se skida iz alata pre podešavanja alata, zamene delova pribora ili odlaganja alata.** Ovim merama opreza sprečićete nehotično pokretanje električnog alata.
- ▶ **Nekorišćene električne alate držite van domašaja dece. Ne dozvolite da alat koriste osobe koje sa njim nisu upoznate ili koje nisu pročitale ova uputstva.** Električni alati su opasni ako ih koriste neiskusne osobe.
- ▶ **Pažljivo održavajte električne alate i pribor. Uverite se da pokretniji delovi električnog alata rade besprekorno i da nisu zaglavljani, polomljeni ili oštećeni tako da negativno utiču na funkcionisanje alata. Oštećene delove popravite pre upotrebe alata. Uzrok mnogih nezgoda leži u loše održavanim električnim alatima.**
- ▶ **Rezne alate održavajte ostrim i čistim.** Brižljivo održavani rezni alati sa ostrim sečivima neće se zaglaviti i lakši su za vođenje.
- ▶ **Koristite električni alat, pribor, alate za umetanje itd. u skladu sa ovim uputstvom. Kod toga uzmete u obzir radne uslove i izvođene radove.** Upotreba električnih alata za neke druge primene različite od predviđenih, može dovesti do opasnih situacija.



- ▶ **Rukohvati i površine za hvatanje moraju biti suve, čiste, bez ostataka ulja i masti.** Klizavi rukohvati i površine za hvatanje onemogućavaju sigurno rukovanje i kontrolu električnog alata u nepredvidivim situacijama.

Servisiranje

- ▶ **Popravku električnog alata prepustite samo kvalifikovanom stručnom osoblju i samo sa originalnim rezervnim delovima.** Na taj način postići će se održavanje sigurnosti električnog alata.

2.2 Sigurnosne napomene za čekić

Sigurnosne napomene za sve radove

- ▶ **Nosite zaštitu za sluh.** Delovanje buke može uzrokovati gubitak sluha.
- ▶ **Upotrebljavajte dodatne rukohvate isporučene sa alatom.** Gubitak kontrole može prouzrokovati telesne povrede.
- ▶ **Alat pridržavajte samo za izolirane prihvatne površine ako izvodite radove kod kojih alat za umetanje može udariti o sakrivene strujne vodove ili o vlastiti mrežni kabl.** Kontakt sa provodljivim vodom može pod napon staviti i metalne delove alata i dovesti do električnog udara.

Sigurnosne napomene pri korišćenju dugih bušilica

- ▶ **Postupak bušenja uvek počnite sa malim brojem obrtaja i dok bušilica ima kontakt sa radnim komadom.** Kod većih brojeva obrtaja, bušilica može da se blago iskrivi ako može da se okreće i bez kontakta sa radnim komadom, što može da dovede do povreda.
- ▶ **Nemojte primenjivati prekomerni pritisak i samo u uzdužnom smeru bušilice.** Bušilice mogu da se saviju i na taj način slome ili mogu da izgube kontrolu, što može da dovede do povreda.

2.3 Dodatne sigurnosne napomene

Bezbednost ljudi

- ▶ Proizvod koristite isključivo dok je u tehnički besprekornom stanju.
- ▶ Nikada ne vršite izmene i manipulacije na uređaju.
- ▶ Prilikom probijanja osigurajte područje na suprotnoj strani rada. Komadići materijala bi mogli ispasti i/ili se srušiti i povrediti druge osobe.
- ▶ Uređaj uvek držite čvrsto sa obe ruke za predviđene drške. Redovno čistite drške i održavajte ih suvim.
- ▶ Uхватite bočni rukohvat uvek sa spoljne strane. Pri bušenju i zavrtnanju, alat se može bočno izmaknuti.
- ▶ Nemojte da dodirujete rotirajuće delove - Opasnost od povređivanja!
- ▶ Prilikom upotrebe uređaja koristite odgovarajuće zaštitne naočare, zaštitni šlem, zaštitu za sluh, zaštitne rukavice i laganu zaštitu za disajne organe.
- ▶ Takođe nosite zaštitne rukavice prilikom zamene alata. Dodirivanje alata za umetanje može da dovede do posekotina i opekotina.
- ▶ Koristite zaštitne naočare. Odvojeni materijal može da povredi telo i oči.
- ▶ Pre početka rada utvrdite klasu opasnosti prašine koja nastaje pri radu. Koristite građevinski usisivač sa službeno dozvoljenom klasifikacijom zaštite, koja odgovara vašim lokalnim propisima o zaštiti protiv prašine.
- ▶ Po mogućstvu koristite sistem za usisavanje prašine i odgovarajući prenosni usisivač. Prašina od materijala kao što su premaz koji sadrži olovo, neke vrste drveta, beton / zidina / stena koja sadrži kvarc i minerale, kao i metal, može da bude štetna po zdravlje.
- ▶ Obezbedite dobru ventilaciju na radnom mestu i prema potrebi nosite odgovarajuću masku za zaštitu disajnih organa, u zavisnosti od vrste prašine. Dodirivanje ili udisanje prašine mogu prouzrokovati alergijske reakcije i/ili bolesti disajnih puteva korisnika ili osoba koje se nalaze u blizini. Određena vrsta prašine, kao što su hrastova ili bukova prašina, može prouzrokovati kancer, naročito u kombinaciji sa dodacima za obradu drveta (hromat, sredstvo za zaštitu drveta). Materijalom koji sadrži azbest sme rukovati samo stručno osoblje.
- ▶ Pravite pauze tokom rada i radite vežbe za poboljšanje cirkulacije krvi u prstima. Vibracije pri dužim radovima mogu da prouzrokuju smetnje u krvnim sudovima ili u nervnom sistemu prstiju, šaka ili zglobova.

Električna sigurnost

- ▶ Pre početka rada proverite da li u radnom prostoru postoje prekriveni električni kablovi ili cevi za gas ili vodu. Spoljašnji metalni delovi uređaja mogu da izazovu strujni udar ako slučajno oštete neki strujni kabl.

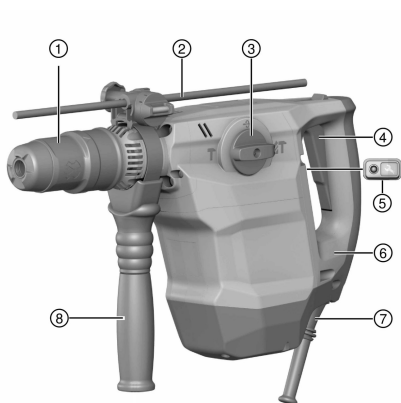
Brižljivo rukovanje i upotreba električnih alata

- ▶ Odmah isključite električni alat ukoliko se alat blokira. Uređaj može da se izmakne bočno.
- ▶ Sačekajte da se električni alat najpre potpuno umiri, pre nego što ga odložite.



3 Opis

3.1 Pregled proizvoda 1



- ① Prihvat za alat
- ② Graničnik za dubinu
- ③ Prekidač za izbor funkcije
- ④ Upravljački prekidač
- ⑤ Servisni indikator
- ⑥ Mrežni kabl
- ⑦ Bočni rukohvat

3.2 Izvedba sa utičnim kablom 2

- ① Taster za blokadu
- ② Priključak električnog uređaja
- ③ Mrežni kabl sa kodiranim, rastavljivom utičnom spojnicom

3.3 Upotreba u skladu sa odredbama

Opisani proizvod je kombinovana udarna bušilica na električni pogon sa pneumatskim udarnim mehanizmom. Ona je namenjena za radove bušenja u betonu, zidovima, drvetu i metalu. Proizvod se dodatno može koristiti za lagane do srednje radove klesanja na zidovima i naknadne radove na betonu.

- Uređajem smete raditi samo kad je priključen na mrežni napon i frekvenciju koji su navedeni na identifikacionoj pločici.

3.4 Moguća pogrešna upotreba

- Ovaj proizvod nije prikladan za obrađivanje materijala opasnih po zdravlje.
- Ovaj proizvod nije prikladan za rad u vlažnom okruženju.

3.5 Active Vibration Reduction

Proizvod je opremljen Active Vibration Reduction (AVR) sistemom, koji osetno redukuje vibracije.

3.6 Brzostezna glava (pribor)

Brzostezna glava omogućava brzu zamenu alata bez dodatnog alata. Namenjena je za alate sa cilindričnom osovinom ili šestougloom, koji se koriste u režimu rada „Bez udarca $\frac{1}{2}$ ”.

3.7 Servisni indikator

Proizvod je opremljen servisnim indikatorom sa svetlosnim signalom.

Stanje	Značenje
Servisni indikator svetli	Dostignut je radni vek za servisiranje.
Servisni indikator treperi	Oštećenja na proizvodu. Kombinovanu udarnu bušilicu odnesite na popravku u servis kompanije Hilti .



3.8 Sadržaj isporuke

Kombinovana udarna bušilica, bočna drška, uputstvo za upotrebu.

Ostale, za proizvod odobrene, sistemske proizvode pronađite u okviru **Hilti Store** ili na adresi: www.hilti.group

4 Tehnički podaci

4.1 Kombinovana udarna bušilica

Nominalni napon i frekvenciju kao i/ili nominalni prihvat odn. nominalnu struju možete pogledati na vašoj identifikacionoj pločici specifičnoj za zemlju.

Prilikom režima rada na generatoru ili transformatoru njegova izlazna snaga mora da bude najmanje duplo veća od dimenzioniranog prihvata koji je naveden na identifikacionoj pločici uređaja. Radni napon transformatora ili generatora mora u svakom trenutku da bude između +5 % i -15 % dimenzioniranog napona uređaja.

	TE 50-AVR
Težina prema EPTA postupku 01	6,1 kg
Temperatura skladištenja	-20 °C ... 70 °C
Temperatura okoline tokom rada	-17 °C ... 60 °C
Ø Udarno svrdlo	12 mm ... 32 mm
Ø Svrdlo za drvo	6 mm ... 35 mm
Ø Burgija za metal	6 mm ... 13 mm

4.2 Informacije o šumu i vrednosti vibracija prema EN 62841

U ovim uputstvima navedene vrednosti pritiska zvuka i vibracija su izmerene u skladu sa normiranim postupkom merenja i možete zajedno da ih koristite za poređenje električnih alata. Takođe su primereni za preliminarnu procenu ekspozicija.

Navedeni podaci se odnose primarne primene električnog alata. Ako se električni alat inače koristi za druge primene sa alatima za umetanje koji se razlikuju ili nisu dovoljno dobro održavani, podaci se mogu razlikovati. To može znatno povećati ekspozicije tokom celokupnog radnog veka.

Za tačnu procenu izloženosti treba uzeti u obzir i vreme kada je električni alat isključen ili kada radi, ali nije u upotrebi. To može znatno smanjiti ekspozicije tokom celokupnog radnog veka.

Odredite dodatne sigurnosne mere za zaštitu korisnika od delovanja zvuka i/ili vibracija kao npr.: održavanje električnog alata i alata za umetanje, održavanje toplih ruku, organizacija tokova rada.

Vrednosti emisije buke

	TE 50-AVR
Nivo jačine buke (L_{WA})	108 dB(A)
Nesigurnost nivoa jačine zvuka (K_{WA})	3 dB(A)
Nivo pritiska zvuka (L_{pA})	97 dB(A)
Nesigurnost nivoa pritiska zvuka (K_{pA})	3 dB(A)

Ukupne vrednosti vibracija

	TE 50-AVR
Bušenje u metal ($a_{h,D}$)	< 5 m/s ²
Udarno bušenje u betonu ($a_{h,HD}$)	8,8 m/s ²
Klesanje ($a_{h,ChEq}$)	7,1 m/s ²
Nesigurnost za navedene vrednosti vibracija (K)	1,5 m/s ²



5 Rukovanje

5.1 Priprema za rad

OPREZ

Opasnost od povređivanja! Nesmotreno pokretanje proizvoda.

- ▶ Izvucite mrežni utikač pre podešavanja uređaja ili zamene delova pribora.

Obratite pažnju na bezbednosne i upozoravajuće napomene koje se nalaze u ovoj dokumentaciji i na proizvodu.

5.1.1 Montaža bočnog rukohvata

1. Okrenite na rukohvatu, kako biste otpustili držač (zateznu traku) bočnog rukohvata.
2. Gurnite držač (zateznu traku) spređa preko stezne glave do završetka za to predviđenog žleba.
3. Pozicionirajte bočni rukohvat u željeni položaj.
4. Okrenite na rukohvatu, kako biste zategli držač (zateznu traku) bočnog rukohvata.

5.1.2 Montaža graničnika za dubinu (opciono)

1. Okrenite na rukohvatu, kako biste otpustili držač (zateznu traku) bočnog rukohvata.
2. Graničnik za dubinu spređa gurnite u 2 za to predviđene rupe za vođenje.
3. Okrenite na rukohvatu, kako biste zategli držač (zateznu traku) bočnog rukohvata.
 - ▶ Graničnik za dubinu je montiran. Za podešavanje dubine bušenja:
4. Otvorite vijak na graničniku za dubinu.
5. Podesite graničnik za dubinu na željenu dubinu bušenja.
6. Zatvorite vijak na graničniku za dubinu.

5.1.3 Postavljanje/vađenje alata za umetanje

OPREZ

Opasnost od povrede usled upotrebljenog alata! Alat za umetanje može da bude vreo ili oštih ivica.

- ▶ Nosite zaštitne rukavice prilikom zamene alata za umetanje.

1. Malo podmažite utični kraj alata za umetanje.
2. Umetnite alat za umetanje do graničnika u prihvat alata i pustite ga da ulegne.
 - ▶ Proizvod je spreman za rad.
3. Blokadu alata izvucite nazad do graničnika i izvadite alat za umetanje.



Upotrebljavajte samo **Hilti** originalnu mast. Upotreba neadekvatne masti može da prouzrokuje štetu na proizvodu.

5.2 Radovi


OPREZ

Opasnost od oštećenja zbog pogrešnog rukovanja!

- ▶ Nemojte da pritiskate prekidač za pravac okretanja i/ili izbor funkcija tokom rada.

Obratite pažnju na bezbednosne i upozoravajuće napomene koje se nalaze u ovoj dokumentaciji i na proizvodu.

5.2.1 Bušenje pomoću udara (čekić bušenje)

1. Prekidač za biranje funkcije postavite na položaj "Čekić bušilica" .
2. Postavite svrdlo na podlogu.
3. Pritisnite prekidač za upravljanje.
 - ▶ Proizvod radi.



5.3 Pozicioniranje dleta

OPREZ

Opasnost od povređivanja! Gubitak kontrole nad smerom klesanja.

- ▶ Ne radite u položaju "pozicioniranje dleta". Postavite prekidač za izbor funkcija na položaj "klesanje", dok se on ne uglati.



Dleto se može postaviti u 24 različita položaja (u 15° koracima). Time se pomoću pljosnatih i oblikovnih sekača može uvek raditi u optimalnom radnom položaju.

1. Postavite prekidač za izbor funkcija na položaj "Pozicioniranje dleta" →.
2. Zaokrenite prekidač dleta u željeni položaj.
3. Postavite prekidač za izbor funkcija na položaj "klesanje" **T**, dok se on ne uglati.
 - ▶ Proizvod je spreman za rad.

5.3.1 Klesanje

- ▶ Postavite prekidač za izbor funkcija na položaj "Klesanje" **T**.

5.3.2 Ukjučivanje/isključivanje neprekidnog režima rada



U režimu sečenja prekidač za uključivanje/isključivanje možete blokirati u uključenom stanju.

1. Gurnite dugme za utvrđivanje neprekidnog režima rada prema napred.
2. U potpunosti pritisnite prekidač za uključivanje/isključivanje.
 - ▶ Proizvod sada radi u neprekidnom režimu rada.
3. Dugme za utvrđivanje neprekidnog režima rada gurnite u nazad.
 - ▶ Proizvod se isključuje.

6 Utični kabl

6.1 Priključivanje utičnog mrežnog kabla

OPREZ

Opasnost od povrede usled lutajućih struja pri zaprljanim kontaktima.

- ▶ Električni utikački spoj povežite sa električnim uređajem samo u čistom, suvom i beznaponskom stanju.

1. Uvedite kodiran, rastavljiv električni utikački spoj do kraja u uređaj dok se blokada čujno ne uklopi.
2. Mrežni utikač utaknite u utičnicu.

6.2 Odvajanje utičnog mrežnog kabla od električnog uređaja

1. Izvucite mrežni utikač iz utičnice.
2. Pritisnite taster za blokadu i izvucite kodirani, rastavljiv električni utikački spoj.
3. Izvucite mrežni kabl iz uređaja.

7 Nega i održavanje

UPOZORENJE

Opasnost od električnog udara! Nega i održavanje uređaja dok je mrežni utikač utaknut može da dovede to teških povreda i opekotina.

- ▶ Izvucite mrežni utikač pre radova na nezi i održavanju!

Nega

- Čvrsto prionulu prljavštinu pažljivo uklonite.
- Prореze za ventilaciju oprezno očistite suvom četkom.
- Čistite kućište samo sa malo nakvašenom krpom za čišćenje. Ne upotrebljavajte sredstva za negu na bazi silikona, jer mogu nagristi plastične delove.



Održavanje

UPOZORENJE

Opasnost od strujnog udara! Nestručne popravke na električnim delovima mogu da dovedu do teških povreda i opekotina.

► Popravke električnih delova sme obavljati samo električar.

- Redovno proveravajte da li je došlo do oštećenja na vidljivim delovima alata i funkcionisanju elemenata za besprekorno korišćenje.
- U slučaju da proizvod ima oštećenja i/ili funkcionalne smetnje, ne koristite ga. Odmah odnesite uređaj u **Hilti servis** na popravku.
- Posle radova na nezi i održavanju, priključite svu zaštitnu opremu i proverite da li funkcioniše.



Za siguran režim rada upotrebljavajte samo originalne rezervne delove i potrošne materijale. Rezervne delove, potrošni materijal i pribor koji smo odobrili za vaš proizvod naći ćete u okviru **Hilti Store** ili na: www.hilti.group.

8 Transport i skladištenje

- Električni uređaj nemojte da prevozite sa priključenim alatom.
- Električni uređaj uvek skladištite sa izvučenim mrežnim utikačem.
- Uređaj skladištite na mestu koje je suvo i nepristupačno deci ili neovlašćenim osobama.
- Nakon dugotrajnog transporta ili skladištenja proverite da li električni uređaj ima oštećenja pre nego što ga koristite.

9 Pomoć u slučaju smetnji

U slučaju smetnji, koje nisu navedene u ovoj tabeli ili koje ne možete samostalno da otklonite, molimo da se obratite našem **Hilti servisu**.

9.1 Pomoć u slučaju smetnji

Smetnja	Mogući uzrok	Rešenje
Alat se ne pokreće.	Prekinuto napajanje strujom	► Uključite drugi električni uređaj i proverite da li radi.
	Nakon prekida snabdevanja strujom aktivirana je elektronska blokada zaleta.	► Isključite uređaj i ponovo ga uključite.
Nema udara.	Alat je prehladan.	► Čekić bušilicu postavite na podlogu i pustite je da radi u praznom hodu. Ako je neophodno ponavljajte sve dok radi udarni mehanizam.
Kombinovana udarna bušilica nema punu snagu.	Produžni kabl ima previše mali poprečni presek.	► Upotrebljavajte produžni kabl sa dovoljnim poprečnim presekom.
	Napajanje strujom ima pre nizak napon.	► Kombinovano udarnu bušilicu priključite na drugo napajanje strujom.
Svrdlo se ne okreće.	Prekidač za izbor funkcije nije aktiviran ili je u podešavanju „Klesanje” T ili „Pozicioniranje dleta”	► Prekidač za biranje funkcije postavite na položaj "Čekić bušilica"
Svrdlo ne možete da otpustite iz blokade.	Stezna glava nije u potpunosti povučena unazad.	► Blokadu alata vucite nazad do graničnika i izvucite alat.
	Bočni rukohvat nije pravilno montiran.	► Otpustite bočni rukohvat i pravilno ga montirajte tako da se zatezna traka i bočni rukohvat ukllope u udubljenje.



Smetnja	Mogući uzrok	Rešenje
Servisni indikator svetli nakon zamene ugljenih četkica.	Nemojte još uvek da povezujete kontakte.	► Pustite da ugljene četkice rade u praznom hodu neprekidno najmanje 1 minut.

10 Zbrinjavanje otpada

Hilti uređaji su sa velikim udelom proizvedeni od reciklažnih materijala. Preduslov za ponovnu upotrebu je stručna podela materijala. U mnogim zemljama **Hilti** predaje Vaš stari uređaj na reciklažu. Pitajte **Hilti** servis za klijente ili Vašeg konsultanta za prodaju.



- Električne alate, elektronske uređaje i akumulatorske baterije ne odlažite u kućne otpatke!

11 RoHS (Direktiva za ograničenje upotrebe opasnih supstanci)

Tabela sa opasnim supstancama se nalazi na sledećoj adresi: qr.hilti.com/r4902202.

Takođe jedna veza za RoHS tabelu se nalazi na kraju ovog dokumenta u vidu QR koda.

12 Garancija proizvođača

- Ukoliko imate pitanja o uslovima garancije, obratite se lokalnom **Hilti** partneru.

Перевод оригинального руководства по эксплуатации

1 Данные руководства по эксплуатации

1.1 Об этом документе



Импортер и уполномоченная изготовителем организация

- (RU) Российская Федерация
АО "Хилти Дистрибьюшн ЛТД", 141402, Московская область, г. Химки, ул. Ленинградская, стр. 25, комната 15.26
- (BY) Республика Беларусь
ИООО "Хилти БиУай", 222750, Минская область, Дзержинский район, Р-1, 18-й км, 2 (около д. Слободка), помещение 1-34
- (KZ) Республика Казахстан
ТОО "Хилти Казахстан", 050057, г. Алматы, Бостандыкский район, ул. Тимирязева, дом 42/15, литер 012 (корпус15)
- (AM) Республика Армения
ООО "ЭЙЧ-КОН", 0070, г. Ереван, ул. Ерванда Кочара 19/28

Страна производства: см. маркировочную табличку на оборудовании.

Дата производства: см. маркировочную табличку на оборудовании.

Соответствующий сертификат можно найти по адресу: www.hilti.ru

Специальных требований к условиям хранения, транспортировки и использования, кроме указанных в руководстве по эксплуатации, нет.

Срок службы изделия составляет 5 лет.

- Перед началом работы изучите это руководство по эксплуатации. Это является залогом безопасной и бесперебойной работы.
- Соблюдайте указания по технике безопасности и предупреждающие указания, приведенные в этом руководстве по эксплуатации и на устройстве.
- Всегда храните руководство по эксплуатации рядом с устройством и передавайте устройство другим людям только вместе с этим руководством по эксплуатации.



1.2 Пояснение к знакам

1.2.1 Предупреждающие указания

Предупреждающие указания служат для предупреждения об опасностях при обращении с изделием. Используются следующие сигнальные слова:

ОПАСНО

ОПАСНО !

- ▶ Общее обозначение непосредственной опасной ситуации, которая влечет за собой тяжелые травмы или смертельный исход.

ПРЕДУПРЕЖДЕНИЕ

ПРЕДУПРЕЖДЕНИЕ !

- ▶ Общее обозначение потенциально опасной ситуации, которая может повлечь за собой тяжелые травмы или смертельный исход.





ОСТОРОЖНО

ОСТОРОЖНО !

- ▶ Общее обозначение потенциально опасной ситуации, которая может повлечь за собой травмы или повреждение оборудования (материальный ущерб).


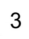


1.2.2 Символы, используемые в руководстве

В этом руководстве используются следующие символы:

	Соблюдать руководство по эксплуатации
	Указания по эксплуатации и другая полезная информация
	Обращение с материалами, пригодными для вторичной переработки
	Не выбрасывайте электроинструменты и аккумуляторы вместе с бытовым мусором!

1.2.3 Символы на изображениях



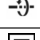

На изображениях используются следующие символы:

	Эти цифры указывают на соответствующее изображение в начале данного руководства.
	Нумерация на иллюстрациях указывает на важные рабочие операции или на компоненты (детали), важные для рабочих операций. В тексте эти рабочие операции или компоненты выделены соответствующими номерами, например (3).
	Номера позиций используются в обзорном изображении. В обзоре изделия они указывают на номера в экспликации.
	Этот знак должен привлечь особое внимание пользователя при обращении с изделием.

1.3 Символы в зависимости от изделия

1.3.1 Символы на изделии

На изделии используются следующие символы:

	Сверление с ударом (ударное сверление)
	Долбление
	Выбор положения зубила
	Класс защиты II (двойная изоляция)
/min	оборотов в минуту (об/мин)



n_0	Номинальная частота вращения на холостом ходу
\varnothing	Диаметр
	Устройство поддерживает технологию NFC, совместимую с платформами iOS и Android.

1.4 Информация об изделии

Изделия предназначены для профессионального использования, поэтому они должны обслуживаться и ремонтироваться только уполномоченным и обученным персоналом. Этот персонал должен пройти специальный инструктаж по технике безопасности. Использование изделия и его оснастки не по назначению или его эксплуатация необученным персоналом могут представлять опасность.

Типовое обозначение и серийный номер указаны на заводской табличке.

- ▶ Перепишите серийный номер в нижеприведенную табличную форму. Данные изделия необходимы при обращении в наше представительство или сервисный центр.

Указания к изделию

Комбинированный перфоратор	TE 50-AVR
Поколение	03
Серийный номер	

1.5 Декларация соответствия нормам

Настоящим мы с полной ответственностью заявляем, что данное изделие соответствует действующим директивам и нормам. Копию декларации соответствия нормам см. в конце этого документа.

Техническая документация (оригиналы) хранится здесь:

Hilti Entwicklungsgesellschaft mbH | Zulassung Geräte | Hiltistraße 6 | 86916 Kaufering, Германия

2 Безопасность

2.1 Общие указания по технике безопасности для электроинструментов

ПРЕДУПРЕЖДЕНИЕ Изучите все указания по технике безопасности, инструкции, иллюстрации и технические данные, которые прилагаются к данному электроинструменту. Несоблюдение приводимых ниже указаний может привести к поражению электрическим током, пожару и/или тяжелым травмам.

Сохраните все указания по технике безопасности и инструкции для следующего пользователя.

Используемый далее термин «электроинструмент» относится к электроинструменту, работающему от электрической сети (с кабелем электропитания) и от аккумулятора (без кабеля электропитания).

Безопасность рабочего места

- ▶ Следите за чистотой и хорошей освещенностью на рабочем месте. Беспорядок на рабочем месте или плохое освещение могут привести к несчастным случаям.
- ▶ Не используйте электроустройство/электроинструмент во взрывоопасной зоне, где имеются горючие жидкости, газы или пыль. При работе электроустройство/электроинструмент искрит, и искры могут воспламенить пыль или пары/газы.
- ▶ Не разрешайте детям и посторонним приближаться к работающему электроустройству/электроинструменту. Отвлекаясь от работы, можно потерять контроль над электроустройством/электроинструментом.

Электрическая безопасность

- ▶ Соединительная вилка электроинструмента должна соответствовать розетке электросети. Не изменяйте конструкцию вилки! Не используйте переходные вилки с электроинструментами с защитным заземлением. Использование оригинальных вилок и соответствующих им розеток снижает риск поражения электрическим током.
- ▶ Избегайте непосредственного контакта с заземленными поверхностями, например с трубами, отопительными приборами, газо-/электропластинами и холодильниками. При контакте с заземленными предметами возникает повышенный риск поражения электрическим током.
- ▶ Предохраняйте электроинструменты от дождя или воздействия влаги. В результате попадания воды в электроинструмент возрастает риск поражения электрическим током.



- ▶ **Не используйте кабель электропитания не по назначению, например для переноски электроинструмента, его подвешивания или для выдергивания вилки из розетки электросети. Защищайте кабель электропитания от воздействий высоких температур, масла, острых кромок или вращающихся деталей/узлов.** В результате повреждения или схлестывания кабелей электропитания повышается риск поражения электрическим током.
- ▶ **Если работы с электроинструментом выполняются на открытом воздухе, применяйте только удлинительные кабели, которые разрешено использовать вне помещений.** Использование удлинительного кабеля, пригодного для использования вне помещений, снижает риск поражения электрическим током.
- ▶ **Если избежать работы с электроинструментом в условиях влажности не представляется возможным, используйте автомат защиты от тока утечки.** Использование автомата защиты от тока утечки снижает риск поражения электрическим током.

Безопасность персонала

- ▶ **Будьте внимательны, следите за своими действиями и серьезно относитесь к работе с электроинструментом. Не пользуйтесь электроинструментом, если вы устали или находитесь под действием наркотиков, алкоголя или медикаментов.** Незначительная ошибка при невнимательной работе с электроинструментом может стать причиной серьезного травмирования.
- ▶ **Используйте средства индивидуальной защиты и всегда надевайте защитные очки.** Использование средств индивидуальной защиты, например респиратора, защитной обуви на нескользящей подошве, защитной каски или защитных наушников, в зависимости от вида и условий эксплуатации электроинструмента, снижает риск травмирования.
- ▶ **Избегайте непреднамеренного включения электроинструмента. Убедитесь в том, что электроинструмент выключен, прежде чем подключить его к электропитанию и/или вставить аккумулятор, поднимать или переносить электроинструмент.** Ситуации, когда при переноске электроинструмента палец находится на выключателе или когда включенный электроинструмент подключается к электросети, могут привести к несчастным случаям.
- ▶ **Перед включением электроинструмента удалите регулировочные приспособления или гаечные ключи.** Рабочий инструмент или гаечный ключ, находящийся во вращающейся части электроинструмента, может стать причиной получения травм.
- ▶ **Старайтесь избегать неестественных поз при работе. Постоянно сохраняйте устойчивое положение и равновесие.** Это позволит лучше контролировать электроинструмент в непредвиденных ситуациях.
- ▶ **Носите спецодежду. Не надевайте очень свободную одежду или украшения. Оберегайте волосы, одежду и защитные перчатки от вращающихся узлов электроинструмента.** Свободная одежда, украшения и длинные волосы могут быть захвачены ими.
- ▶ **Если предусмотрено подсоединение устройств для удаления и сбора пыли, убедитесь в том, что они подсоединены и используются по назначению.** Использование пылеудаляющего аппарата снижает вредное воздействие пыли.
- ▶ **Не пребывайте в ложной уверенности в собственной безопасности и не пренебрегайте правилами техники безопасности для электроинструментов, даже если вы являетесь опытным пользователем электроинструмента.** Неосторожное обращение может в течение долей секунды стать причиной получения тяжелых травм.

Использование и обслуживание электроинструмента

- ▶ **Не допускайте перегрузки электроинструмента. Используйте электроинструмент, предназначенный именно для данной работы.** Соблюдение этого правила обеспечит более высокое качество и безопасность работы в указанном диапазоне мощности.
- ▶ **Не используйте электроинструмент с неисправным выключателем.** Электроинструмент, включение или выключение которого затруднено, представляет опасность и должен быть отремонтирован.
- ▶ **Прежде чем приступить к регулировке электроинструмента, замене принадлежностей или перед перерывом в работе выньте вилку из розетки и/или аккумулятор из электроинструмента.** Данная мера предосторожности позволит предотвратить непреднамеренное включение электроинструмента.
- ▶ **Храните неиспользуемые электроинструменты в местах, недоступных для детей. Не позволяйте использовать электроинструмент лицам, которые не ознакомлены с ним или не читали эти инструкции.** Электроинструменты представляют собой опасность в руках неопытных пользователей.
- ▶ **Бережно обращайтесь с электроинструментами и принадлежностями. Проверяйте безупречное функционирование подвижных частей, легкость их хода, целостность и отсутствие повреждений, которые могли бы отрицательно повлиять на работу электроинструмента. Сдавайте поврежденные части электроинструмента в ремонт до его использования.** Причиной



многих несчастных случаев является несоблюдение правил технического обслуживания электроинструментов.

- ▶ **Необходимо следить за тем, чтобы режущие инструменты были острыми и чистыми.** Заклинивание содержащихся в надлежащем состоянии режущих инструментов происходит реже, ими легче управлять.
- ▶ **Применяйте электроинструмент, принадлежности (оснастку), рабочие инструменты и т. д. согласно данным указаниям. Учитывайте при этом рабочие условия и характер выполняемой работы.** Использование электроинструментов не по назначению может привести к опасным ситуациям.
- ▶ **Замасленные рукоятки и поверхности для хвата немедленно очищайте — они должны быть сухими и чистыми.** Скользкие рукоятки и поверхности для хвата не обеспечивают безопасное управление и контроль электроинструмента в непредвиденных ситуациях.

Сервис

- ▶ **Доверяйте ремонт своего электроинструмента только квалифицированному персоналу, использующему только оригинальные запчасти.** Этим обеспечивается поддержание электроинструмента в безопасном и исправном состоянии.

2.2 Указания по технике безопасности при работе с перфораторами

Указания по технике безопасности при выполнении любых работ

- ▶ **Надевайте защитные наушники.** В результате воздействия шума возможна потеря слуха.
- ▶ **Используйте дополнительные рукоятки, которые входят в комплект инструмента.** Потеря контроля над инструментом может привести к травмам.
- ▶ **При опасности повреждения рабочим инструментом скрытой электропроводки или сетевого кабеля держите электроинструмент за изолированные поверхности.** При контакте с токопроводящими предметами незащищенные металлические части электроинструмента находятся под напряжением, что может привести к поражению электрическим током.

Указания по технике безопасности при использовании длинных сверл

- ▶ **Процесс сверления всегда начинайте с низкой частотой вращения.** При этом сверло должно контактировать с заготовкой. В противном случае сверло может легко деформироваться, если оно будет свободно вращаться без контакта с заготовкой, и травмировать пользователя.
- ▶ **Не прижимайте сверло с чрезмерным усилием. При сверлении следите за тем, чтобы прилагаемое усилие было направлено (распределялось) по оси сверла.** Сверла могут деформироваться и вследствие этого ломаться или возможна потеря контроля, что, в свою очередь, может привести к получению травм.

2.3 Дополнительные указания по технике безопасности

Безопасность персонала

- ▶ Используйте электроинструмент только в технически исправном состоянии.
- ▶ Внесение изменений в конструкцию электроинструмента или его модификация категорически запрещаются.
- ▶ При сквозном сверлении ограждайте опасную зону с противоположной стороны стены. Вылетающие наружу и/или падающие вниз осколки могут травмировать других людей.
- ▶ Всегда надежно удерживайте электроинструмент обеими руками за предусмотренные для этого рукоятки. Следите за тем, чтобы рукоятки были сухими и чистыми.
- ▶ Беритесь за боковую рукоятку всегда с наружной стороны. При сверлении и заворачивании электроинструмент может отклониться вбок.
- ▶ Не прикасайтесь к вращающимся деталям/узлам электроинструмента — опасность травмирования!
- ▶ При работе с электроинструментом надевайте подходящие защитные очки, защитную каску, защитные наушники, защитные перчатки и легкий респиратор.
- ▶ При замене рабочего инструмента надевайте защитные перчатки. Соблюдайте осторожность при замене рабочего инструмента — контакт с ним может привести к порезам и ожогам.
- ▶ Пользуйтесь защитными очками. Осколки материала могут травмировать тело и глаза.
- ▶ Перед началом работы выясните по материалу заготовки класс опасности возникающей пыли. Для работы с электроинструментом используйте строительный (промышленный) пылесос, степень защиты которого соответствует нормам пылезащиты, действующим в месте эксплуатации.
- ▶ По возможности используйте систему пылеудаления с подходящим мобильным пылеудаляющим аппаратом. Пыль, возникающая при обработке лакокрасочных покрытий, содержащих свинец,



некоторых видов древесины, бетона/кирпичной и каменной кладки с частицами кварца, минералов, а также металла может представлять опасность для здоровья.

- ▶ Обеспечьте оптимальную вентиляцию рабочей зоны и при необходимости надевайте респиратор, который подходит для защиты от конкретного вида пыли. Вдыхание частиц такой пыли или контакт с ней может стать причиной появления аллергических реакций и/или заболеваний дыхательных путей как у пользователя, так и у находящихся поблизости лиц. Некоторые виды пыли (например пыль, возникающая при обработке дуба или бука) считаются канцерогенными, особенно в комбинации с дополнительными материалами, используемыми для обработки древесины (соль хромовой кислоты, средства защиты древесины). К работам с асбестосодержащим материалом должны допускаться только специалисты.
- ▶ Чтобы во время работы руки не затекали, время от времени делайте упражнения для расслабления и разминки пальцев. При длительной работе возникающие вибрации могут привести к нарушениям кровоснабжения сосудов или в нервных окончаниях пальцев/кистей рук или в запястьях.

Электрическая безопасность

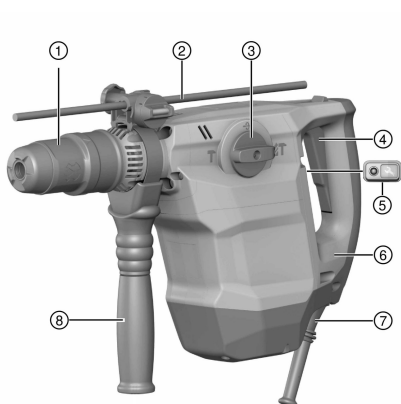
- ▶ Перед началом работы проверяйте рабочее место на наличие скрытой электропроводки, газо- и водопроводных труб. Открытые металлические части электроинструмента могут стать проводниками электрического тока, если случайно задеть электропроводку.

Бережное обращение с электроинструментами и их правильная эксплуатация

- ▶ Немедленно выключайте электроинструмент в случае блокировки рабочего инструмента. Электроинструмент может увести в сторону.
- ▶ Дождитесь, пока электроинструмент полностью не остановится, прежде чем отложить его в сторону.

3 Описание

3.1 Обзор изделия 1



- ① Зажимной патрон
- ② Ограничитель глубины
- ③ Переключатель режимов работы
- ④ Выключатель
- ⑤ Сервисный индикатор
- ⑥ Кабель электропитания
- ⑦ Боковая рукоятка

3.2 Исполнение с отсоединяемым кабелем 2

- ① Кнопка фиксации
- ② Подключение к электроинструменту
- ③ Кабель электропитания (сетевой кабель) с разъемным штекерным соединителем с кодировкой

3.3 Использование по назначению

Данный электроинструмент представляет собой электрический комбинированный перфоратор с пневматическим ударным механизмом. Он предназначен для сверления в бетоне, кирпичной кладке, древесине и металле. Кроме того, данный электроинструмент может использоваться для выполнения несложных долбежных работ по кирпичной кладке и отделочных работ по бетону.

- ▶ Эксплуатация электроинструмента возможна только при напряжении и частоте электросети, которые соответствуют указанным на заводской табличке.




3.4 Возможное использование не по назначению

- Это изделие не предназначено для обработки опасных для здоровья материалов.
- Это изделие не предназначено для выполнения работ во влажной среде.

3.5 Active Vibration Reduction

Электроинструмент оснащен системой Active Vibration Reduction (AVR), которая обеспечивает заметное снижение вибраций.

3.6 Быстрозажимной патрон (принадлежность)

Быстрозажимной патрон обеспечивает быструю замену рабочего инструмента без использования дополнительной оснастки. Он предназначен для установки рабочих (сменных) инструментов с цилиндрическим или шестигранным хвостовиком, используемых в режиме «Без удара ».

3.7 Сервисный индикатор

Электроинструмент оснащен сервисным световым индикатором.

Состояние	Значение
Сервисный индикатор горит	Срок службы электроинструмента достиг предела, при котором требуется сервисное обслуживание.
Сервисный индикатор мигает	Электроинструмент имеет повреждения. Сдайте комбинированный перфоратор в сервисный центр Hilti для ремонта.


3.8 Комплект поставки

Комбинированный перфоратор, боковая рукоятка, руководство по эксплуатации.

Другие системные принадлежности, допущенные для использования с этим изделием, см. в **Hilti Store** или на сайте www.hilti.group.

4 Технические данные

4.1 Комбинированный перфоратор

 Номинальное напряжение, номинальный ток, частота и/или номинальная потребляемая мощность указаны на заводской табличке (данные могут варьироваться в зависимости от экспортного исполнения).

При запитывании от генератора/трансформатора его выходная мощность должна быть как минимум вдвое выше номинальной потребляемой мощности, которая указана на заводской табличке электроинструмента. Рабочее напряжение трансформатора или генератора должно всегда находиться в диапазоне между +5 % и -15 % номинального напряжения электроинструмента.

	TE 50-AVR
Масса согласно методу EPTA 01	6,1 кг
Температура хранения	-20 °C ... 70 °C
Температура окружающей среды при эксплуатации	-17 °C ... 60 °C
Ø сверла по бетону	12 мм ... 32 мм
Ø сверла по древесине	6 мм ... 35 мм
Ø сверла по металлу	6 мм ... 13 мм

4.2 Данные по шуму и вибрациям согласно EN 62841

Приводимые здесь значения уровня звукового давления и вибрации были измерены согласно стандартизированной процедуре измерения и могут использоваться для сравнения электроинструментов между собой. Они также подходят для предварительной оценки вредных воздействий.



Указанные данные применимы к основным областям применения электроинструмента. Однако, если электроинструмент используется для других целей, с другими рабочими (сменными) инструментами или в случае его неудовлетворительного технического обслуживания, данные могут быть иными. Вследствие этого в течение всего периода работы электроинструмента возможно значительное увеличение вредных воздействий.

Для точного определения вредных воздействий следует также учитывать промежутки времени, в течение которых электроинструмент находится в выключенном состоянии или работает вхолостую. Вследствие этого в течение всего периода работы электроинструмента возможно заметное уменьшение вредных воздействий.

Примите дополнительные меры безопасности для защиты пользователя от воздействия возникающего шума и/или вибраций, например: техническое обслуживание электроинструмента и рабочих (сменных) инструментов, сохранение тепла рук, правильная организация рабочих процессов.

Значения уровня шума

	TE 50-AVR
Уровень звуковой мощности (L_{WA})	108 дБ(А)
Погрешность уровня звуковой мощности (K_{WA})	3 дБ(А)
Уровень звукового давления (L_{pA})	97 дБ(А)
Погрешность уровня звукового давления (K_{pA})	3 дБ(А)

Общие значения вибрации

	TE 50-AVR
Сверление в металле ($a_{h, D}$)	< 5 м/с ²
Ударное сверление в бетоне ($a_{h, HD}$)	8,8 м/с ²
Долбление ($a_{h, Cheq}$)	7,1 м/с ²
Погрешность приведенных выше значений уровня вибрации (К)	1,5 м/с ²

5 Эксплуатация

5.1 Подготовка к работе

ОСТОРОЖНО

Опасность травмирования! Непреднамеренное включение электроинструмента

- ▶ Перед регулировкой электроинструмента или заменой принадлежностей вынимайте вилку из розетки электросети.

Соблюдайте указания по технике безопасности и предупреждающие указания, приводимые в данном документе и на изделии.

5.1.1 Установка боковой рукоятки

1. Поверните рукоятку, чтобы расфиксировать фиксатор (фиксирующее кольцо) боковой рукоятки.
2. Установите фиксатор (фиксирующее кольцо) спереди через патрон в предусмотренный для этого паз.
3. Установите боковую рукоятку в нужное положение.
4. Поверните рукоятку, чтобы зафиксировать фиксатор (фиксирующее кольцо) боковой рукоятки.

5.1.2 Установка ограничителя глубины (опция)

1. Поверните рукоятку, чтобы расфиксировать фиксатор (фиксирующее кольцо) боковой рукоятки.
2. Установите ограничитель глубины спереди в два специально предназначенных для этого направляющих отверстия.
3. Поверните рукоятку, чтобы зажать фиксатор (фиксирующее кольцо) боковой рукоятки.
 - ▶ Ограничитель глубины смонтирован. Для регулировки глубины сверления:
4. Отпустите винт на ограничителе глубины.
5. Установите ограничитель глубины на нужную глубину сверления.
6. Закрутите винт на ограничителе глубины.



5.1.3 Установка/извлечение рабочего инструмента

ОСТОРОЖНО

Опасность травмирования рабочим инструментом! Рабочий инструмент может нагреваться или иметь острые кромки.

▶ При смене рабочего инструмента пользуйтесь защитными перчатками.

1. Слегка смажьте хвостовик рабочего инструмента.
2. Вставьте рабочий инструмент до упора в зажимной патрон до фиксации.
 - ▶ Электроинструмент готов к работе.
3. Оттяните патрон до упора назад и извлеките рабочий инструмент.



Используйте только оригинальную пластичную смазку фирмы **Hilti**. Использование неподходящей пластичной смазки может стать причиной повреждений электроинструмента.

5.2 Выполнение работ

ОСТОРОЖНО

Опасность повреждения вследствие неправильного обращения!

▶ Не нажимайте переключатель направления вращения и/или режима во время работы.

Соблюдайте указания по технике безопасности и предупреждающие указания, приводимые в данном документе и на изделии.

5.2.1 Сверление с ударом (ударное сверление)

1. Установите переключатель режимов работы в положение «Ударное сверление» .
2. Установите сверло на базовый материал.
3. Нажмите выключатель.
 - ▶ Электроинструмент начнет работать.

5.3 Выбор положения зубила

ОСТОРОЖНО

Опасность травмирования! Потеря контроля над направлением долбления.

▶ Не работайте с электроинструментом, если переключатель режимов работы находится в положении «Выбор положения зубила». Установите переключатель режимов работы в положение «Долбление» (до щелчка).



Зубило можно установить в 24 разных положениях (с шагом 15°). Благодаря этому плоские и фасонные зубила всегда можно установить в оптимально подходящее для работы положение.

1. Установите переключатель режимов работы в положение «Выбор положения зубила» .
2. Поверните зубило в нужное положение.
3. Установите переключатель режимов работы в положение «Долбление» (до щелчка).
 - ▶ Электроинструмент готов к работе.

5.3.1 Долбление

▶ Установите переключатель режимов работы в положение «Долбление» .

5.3.2 Включение/выключение режима непрерывной работы



В режиме долбления выключатель можно зафиксировать в нажатом положении.

1. Сдвиньте вперед стопорную кнопку для режима непрерывной работы.
2. Нажмите выключатель до упора.
 - ▶ Теперь электроинструмент работает в непрерывном режиме.



3. Сдвиньте стопорную кнопку для режима непрерывной работы назад.
 - ▶ Электроинструмент выключится.

6 Подключаемый кабель

6.1 Подсоединение съемного кабеля электропитания

ОСТОРОЖНО

Опасность травмирования вследствие токов (поверхностной) утечки при загрязнении контактов

- ▶ Разъемный штекерный соединитель следует подключать к электроинструменту только в чистом, сухом и обесточенном состоянии.

1. Вставьте разъемный штекерный соединитель с кодировкой до упора в соответствующий разъем на электроинструменте.
2. Вставьте вилку кабеля электропитания в сетевую розетку.

6.2 Отсоединение съемного кабеля электропитания от электроинструмента

1. Выньте вилку кабеля электропитания из сетевой розетки.
2. Нажмите кнопку фиксации и вытяните разъемный штекерный соединитель с кодировкой.
3. Отсоедините кабель электропитания от электроинструмента.

7 Уход и техническое обслуживание

ПРЕДУПРЕЖДЕНИЕ

Опасность травмирования вследствие удара электрическим током! Выполнение работ по уходу и обслуживанию с подключенной вилкой кабеля электропитания может привести к тяжелым травмам и ожогам.

- ▶ Перед проведением любых работ по уходу и обслуживанию всегда вынимайте из розетки вилку кабеля электропитания!

Уход

- Осторожно удаляйте налипшую грязь.
- Осторожно очищайте вентиляционные прорези сухой щеткой.
- Очищайте корпус только с использованием слегка увлажненной ткани. Не используйте средства по уходу с содержанием силикона, поскольку они могут повредить пластиковые детали.

Техническое обслуживание

ПРЕДУПРЕЖДЕНИЕ

Опасность вследствие удара электрического тока! Неквалифицированный ремонт компонентов электрической части может привести к получению серьезных травм и ожогам.

- ▶ Ремонт электрической части перфоратора поручайте только специалисту-электрику.
- Регулярно проверяйте все видимые части электроинструмента на отсутствие повреждений, а элементы управления — на исправное функционирование.
- При повреждениях и/или функциональных сбоях не используйте электроинструмент. Сразу сдавайте его в сервисный центр **Hilti** для ремонта.
- После ухода за электроинструментом и его технического обслуживания установите все защитные приспособления на место и проверьте их исправное функционирование.



Для обеспечения безопасной эксплуатации используйте только оригинальные запасные части и расходные материалы. Допущенные нами запасные части, расходные материалы и принадлежности для данного изделия вы можете найти в **Hilti Store** или смотрите на www.hilti.group.

8 Транспортировка и хранение

- Транспортировка электроинструмента с установленным рабочим инструментом запрещается.
- Храните электроинструмент всегда с вынутой вилкой кабеля.
- Храните электроинструмент в сухом виде в недоступном для детей и других лиц, не допущенных к работе с данным электроинструментом, месте.



- После продолжительной транспортировки или длительного хранения перед использованием проверьте электроинструмент на отсутствие повреждений.

9 Помощь при неисправностях

В случае неисправностей, которые не указаны в этой таблице или которые вы не можете устранить самостоятельно, обращайтесь в ближайший сервисный центр **Hilti**.

9.1 Помощь при неисправностях

Неисправность	Возможная причина	Решение
Электроинструмент не включается.	Отсутствует электропитание	▶ Подключите другой электроинструмент и проверьте его функционирование.
	Активирована электронная блокировка пуска после сбоя в электропитании.	▶ Выключите электроинструмент, а затем снова включите его.
Не выполняется сверление с ударом.	Электроинструмент слишком холодный.	▶ Установите перфоратор на базовый материал и дайте ему поработать в холостом режиме. При необходимости повторяйте процедуру, пока не заработает ударный механизм.
Электроинструмент работает не на полную мощность.	Удлинительный кабель имеет слишком малое сечение.	▶ Используйте удлинительный кабель с достаточным сечением.
	Слишком низкое напряжение электропитания	▶ Подключите комбинированный перфоратор к другому источнику электропитания.
Сверло не вращается.	Переключатель режимов работы не зафиксирован или находится в положении «Долбление» T или «Выбор положения зубила» ↯ .	▶ Установите переключатель режимов работы в положение «Ударное сверление» (сверление с ударом) ⚡T .
Сверло не высвобождается из патрона.	Не полностью оттянут (отжат) зажимной патрон.	▶ Оттяните патрон до упора назад и извлеките рабочий инструмент.
	Неправильно установлена боковая рукоятка.	▶ Ослабьте и правильно установите боковую рукоятку. Рукоятка и ее фиксатор должны зафиксироваться в углублении.
Сервисный индикатор продолжает гореть после замены угольных щеток.	Контакты еще не приработались.	▶ Дайте угольным щеткам приработаться на холостом ходу в течение одной минуты в непрерывном режиме работы.

10 Утилизация

Большинство материалов, из которых изготовлены электроинструменты **Hilti**, подлежит вторичной переработке. Перед утилизацией следует тщательно рассортировать материалы (для удобства их последующей переработки). Во многих странах фирма **Hilti** уже организовала прием старых (электро)инструментов (изделий) для утилизации. Дополнительную информацию по этому вопросу можно получить в отделе по обслуживанию клиентов или у консультантов по продажам фирмы **Hilti**.



- ▶ Не выбрасывайте электрические инструменты, электронные устройства/приборы и аккумуляторы вместе с обычным мусором!



11 RoHS (Директива об ограничении применения опасных веществ)

По этой ссылке доступна таблица опасных веществ: qr.hilti.com/r4902202.

Ссылку в виде QR-кода на таблицу опасных веществ согласно директиве RoHS см. в конце настоящего документа.

12 Гарантия производителя

- ▶ С вопросами по поводу гарантийных условий обращайтесь в ближайшее представительство **Hilti**.

Оригінальна інструкція з експлуатації

1 Інформація щодо інструкції з експлуатації

1.1 Про цю інструкцію з експлуатації

- Перш ніж розпочинати роботу з інструментом, прочитайте цю інструкцію з експлуатації. Це є передумовою безпечної роботи та відсутності несправностей під час застосування інструмента.
- Дотримуйтеся попереджувальних вказівок та вказівок з техніки безпеки, наведених у цій інструкції з експлуатації та на корпусі інструмента.
- Завжди зберігайте інструкцію з експлуатації поблизу виробу та передавайте його іншим особам тільки разом із цією інструкцією з експлуатації.

1.2 Пояснення символів

1.2.1 Попереджувальні вказівки

Попереджувальні вказівки інформують користувача про фактори небезпеки, пов'язані із застосуванням інструмента. Використовуються такі сигнальні слова:

НЕБЕЗПЕКА

НЕБЕЗПЕКА !

- ▶ Указує на безпосередню небезпеку, що може призвести до отримання тяжких тілесних ушкоджень або навіть до смерті.

ПОПЕРЕДЖЕННЯ

ПОПЕРЕДЖЕННЯ !

- ▶ Указує на потенційно небезпечну ситуацію, яка може призвести до отримання тяжких тілесних ушкоджень або навіть смерті.





ОБЕРЕЖНО

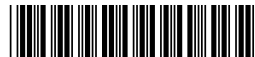
ОБЕРЕЖНО !

- ▶ Указує на потенційно небезпечну ситуацію, яка може призвести до отримання тілесних ушкоджень або до матеріальних збитків.

1.2.2 Символи в інструкції з експлуатації

У цій інструкції з експлуатації використовуються такі символи:

	Дотримуйтеся вказівок, наведених в інструкції з експлуатації
	Указівки щодо експлуатації та інша корисна інформація
	Поводження з матеріалами, придатними для вторинної переробки
	Не викидайте електроінструменти і акумуляторні батареї у баки для побутового сміття



1.2.3 Символи на ілюстраціях

На ілюстраціях використовуються такі символи:

	Цифрами позначаються відповідні ілюстрації, наведені на початку цієї інструкції з експлуатації.
3	Наведена на рисунках нумерація позначає порядок виконання важливих робочих кроків або показує важливі деталі, необхідні для виконання цих робочих кроків. У тексті ці робочі кроки або деталі виділяються відповідними цифрами, наприклад (3).
	Номера позицій, наведені на оглядовій ілюстрації , відповідають номерам у легенді, що представлена у розділі «Огляд продукту».
	Цей символ позначає аспекти, на які слід звернути особливу увагу під час застосування інструмента.

1.3 Символи, що обумовлені типом інструмента

1.3.1 Символи на інструменті

На інструменті наведені такі символи:

	Ударне свердління отворів
	Довбання отворів
	Позиціонування зубила
	Клас захисту II (подвійна ізоляція)
/min	Кількість обертів на хвилину
n_0	Номінальна швидкість обертання під час холостого ходу
\emptyset	Діаметр
	Бездротова передача даних

1.4 Інформація про інструмент

Інструменти призначені для професійного використання, а тому їхню експлуатацію, технічне обслуговування та ремонт слід доручати лише авторизованому персоналу зі спеціальною підготовкою. Цей персонал повинен бути спеціально проінструктований про можливі ризики. Інструмент та допоміжне приладдя можуть стати джерелом безпеки у разі їхнього неправильного застосування некваліфікованим персоналом або у разі використання не за призначенням.

Тип та серійний номер зазначені на заводській табличці.

- Перепишіть серійний номер у наведену нижче таблицю. При оформленні запитів до нашого представництва та до сервісної служби вказуйте інформацію про інструмент.

Інформація про інструмент

Комбінований перфторатор	TE 50-AVR
Версія	03
Серійний номер	

1.5 Сертифікат відповідності

Зі всією належною відповідальністю заявляємо, що описаний у цьому документі інструмент відповідає діючим директивам і стандартам. Копія сертифіката відповідності наведена у кінці цього документа. Технічна документація зазначена нижче:

Hilti Entwicklungsgesellschaft mbH | Zulassung Geräte | Hiltistraße 6 | 86916 Kaufering, DE



2.1 Загальні вказівки з техніки безпеки при роботі з електроінструментами

⚠ ПОПЕРЕДЖЕННЯ! Уважно прочитайте усі вказівки та інструкції з техніки безпеки, ознайомтеся з малюнками та технічними даними цього електроінструмента. Щонайменше недотримання наведених нижче вказівок може призвести до ураження електричним струмом, займання та/або отримання тяжких травм.

Збережіть всі інструкції та вказівки з техніки безпеки – вони можуть знадобитися Вам у майбутньому.

Термін «електроінструмент», який використовується у вказівках з техніки безпеки, позначає як електроінструменти, що працюють від електричної мережі (із кабелем живлення), так і електроінструменти, що працюють від акумуляторної батареї (без кабелю живлення).

Безпека на робочому місці

- ▶ **Дбайте про чистоту та достатнє освітлення робочого місця.** Безлад на робочому місці та недостатнє освітлення можуть стати причиною нещасних випадків.
- ▶ **Не працюйте з електроінструментом у вибухонебезпечному середовищі, що містить легкозаймисті рідини, гази або пил.** Під час роботи електроінструментів утворюються іскри, від яких можуть зайнятися легкозаймисті випари або пил.
- ▶ **Подбайте про те, щоб під час використання електроінструмента поблизу не було дітей та сторонніх осіб.** Щонайменше відволікання може призвести до втрати контролю над інструментом.

Електрична безпека

- ▶ **Штепсельна вилка електроінструмента повинна підходити до розетки живлення. Забороняється вносити зміни до конструкції штепсельної вилки. Не дозволяється застосовувати перехідні штепсельні вилки в електроінструментах із захисним заземленням.** У разі використання оригінальних штепсельних вилок і відповідних розеток знижується ризик ураження електричним струмом.
- ▶ **Під час роботи намагайтеся не торкатися заземлених поверхонь, наприклад труб, радіаторів опалення, печей та холодильників.** Якщо Ваше тіло перебуває в контакт з системою заземлення, існує підвищений ризик ураження електричним струмом.
- ▶ **Захищайте електроінструменти від дощу та вологи.** У разі проникнення води в електроінструмент підвищується ризик ураження електричним струмом.
- ▶ **Використовуйте з'єднувальний кабель тільки за призначенням, не переносьте за нього електроінструмент, не користуйтеся ним для підвішування інструмента та не тримайтеся за нього, дістаючи штепсельну вилку з розетки.** Оберігайте з'єднувальний кабель від впливу високих температур, від дії мастил та контакту з гострими кромками або рухомими частинами інструмента. Пошкоджені або заплутані з'єднувальні кабелі підвищують ризик ураження електричним струмом.
- ▶ **Працюючи з електроінструментом під відкритим небом, використовуйте лише подовжувальний кабель, придатний для зовнішнього застосування.** Використання подовжувального кабелю, призначеного для зовнішнього застосування, зменшує ризик ураження електричним струмом.
- ▶ **Якщо неможливо уникнути експлуатації електроінструмента за умов підвищеної вологості, використовуйте автомат захисту від струму витoku.** Використання автомата захисту від струму витoku зменшує ризик ураження електричним струмом.

Безпека персоналу

- ▶ **Будьте уважними, зосередьтеся на виконуваній операції, до роботи з електроінструментом ставтеся серйозно. Не користуйтеся електроінструментом, якщо Ви втомлені або перебуваєте під дією наркотичних речовин, алкоголю або лікарських засобів.** Під час роботи з електроінструментом не відволікайтеся ні на мить, оскільки це може призвести до отримання серйозних травм.
- ▶ **Використовуйте засоби індивідуального захисту і завжди надягайте захисні окуляри.** Використання засобів індивідуального захисту, наприклад респіратор, захисного взуття на нековзній підшві, захисного шолома або шумозахисних навушників – залежно від різновиду електроінструмента та особливостей його застосування – зменшує ризик травмування.
- ▶ **Уникайте випадкового вмикання електроінструмента. Переконайтеся в тому, що електроінструмент вимкнений, перш ніж вставляти штепсельну вилку в розетку живлення та/або приєднувати акумулятор, піднімати електроінструмент або переносити його.** Якщо під час перенесення електроінструмента тримати палець на вимикачі або приєднувати інструмент до джерела живлення увімкненим, це може призвести до нещасного випадку.



- ▶ **Перш ніж вмикати електроінструмент, від'єднайте від нього все налагоджувальне приладдя або гайкові ключі.** Приладдя або ключ, що знаходяться в обертовому вузлі інструмента, можуть стати причиною отримання травм.
- ▶ **Уникайте виконання роботи в незручній позі.** Під час виконання робіт ставайте в стійку позу і намагайтеся повсякчас утримувати рівновагу. Це дозволить Вам більш упевнено контролювати електроінструмент у разі виникнення несподіваних обставин.
- ▶ **Надягайте відповідний робочий одяг.** Не надягайте для роботи занадто просторий одяг та прикраси. Слідкуйте за тим, щоб волосся, одяг та робочі рукавиці знаходилися подалі від обертових частин інструмента. Просторий одяг, прикраси або довге волосся можуть бути захоплені рухомими частинами інструмента.
- ▶ **Якщо передбачена можливість установа системи пиловидалення та пилозбірників, обов'язково переконайтеся в тому, що вони правильно приєднані й використовуються належним чином.** Застосування системи видалення пилу дозволяє зменшити негативний вплив пилу на персонал.
- ▶ **Не можна нехтувати правилами безпеки під час роботи з електроінструментами навіть у тому випадку, коли Ви добре знайомі з тим чи іншим електроінструментом.** Якщо користуватися інструментом необережно, лише малої частки секунди може бути достатньо для отримання тяжких травм.

Використання електроінструмента та належний догляд за ним

- ▶ **Не допускайте перенавантаження інструмента.** Завжди використовуйте електроінструмент, призначений для виконання відповідної роботи. При використанні належного електроінструмента забезпечуються більш висока якість та безпека виконання робіт у вказаному діапазоні продуктивності.
- ▶ **Не використовуйте електроінструмент із пошкодженим вимикачем.** Електроінструмент, який неможливо вмикати або вимикати, є небезпечним і підлягає ремонту.
- ▶ **Перш ніж розпочинати налаштування інструмента, виконувати заміну приладдя або робити перерву в роботі, не забудьте вийняти штепсельну вилку з розетки та/або вийняти з інструмента змінну акумуляторну батарею.** Такий запобіжний захід допоможе уникнути випадкового вмикання електроінструмента.
- ▶ **Електроінструменти, що не використовуються, зберігайте в недоступному для дітей місці.** Не дозволяйте користуватися інструментом особам, які не ознайомлені з ним або не прочитали ці вказівки. У руках недосвідчених людей електроінструменти являють собою серйозну небезпеку.
- ▶ **Електроінструменти та їх приладдя потребують дбайливого догляду.** Ретельно перевіряйте, чи бездоганно працюють та чи не заклинюють рухомі частини, чи не зламалися або не зазнали інших пошкоджень деталі, від яких залежить справна робота електроінструмента. Перед початком роботи з інструментом пошкоджені деталі слід відремонтувати. Багатьох нещасних випадків можна уникнути за умови належного технічного обслуговування електроінструментів.
- ▶ **Слідкуйте за тим, щоб ріжучі інструменти завжди залишалися чистими та належним чином заточеними.** Дбайливо доглянутий ріжучий інструмент із гострими різальними кромками не так часто заклинюється, і з ним легше працювати.
- ▶ **Під час експлуатації електроінструмента, приладдя до нього, робочих інструментів тощо дотримуйтеся наведених у цьому документі вказівок.** При цьому завжди враховуйте умови в місці виконання робіт та дії, яких вимагає поставлене завдання. Використання електроінструментів не за призначенням може призвести до виникнення небезпечних ситуацій.
- ▶ **Слідкуйте за тим, щоб поверхні рукояток були чистими та сухими, та не допускайте їхнього забруднення мастилом.** Якщо поверхні рукояток слизькі, це унеможливило впевнене контролювання електроінструмента у непередбачених ситуаціях.

Сервісне обслуговування

- ▶ **Доручайте ремонт електроінструмента лише кваліфікованому персоналу зі спеціальною підготовкою за умови використання тільки оригінальних запасних частин.** Це забезпечить функціональність електроінструмента.

2.2 Вказівки з техніки безпеки стосовно роботи з перфоратором

Указівки з техніки безпеки для виконання усіх типів робіт

- ▶ **Використовуйте захисні навушники.** Тривалий вплив шуму може призвести до втрати слуху.
- ▶ **Використовуйте додаткові рукоятки, що входять до комплекту постачання інструмента.** Адже втрата контролю над інструментом може стати причиною травмування.
- ▶ **Якщо під час виконання робіт змінний робочий інструмент може натрапити на приховану електропроводку або кабель живлення, утримуйте інструмент за ізольовані поверхні рукояток.**



У разі контакту з електричним дротом, який знаходиться під напругою, металеві деталі інструмента також потраплять під напругу, а це може призвести до ураження електричним струмом.

Указівки з техніки безпеки під час застосування довгих свердел

- ▶ **Завжди розпочинайте свердління за низької швидкості обертання, попередньо встановивши свердло на оброблюваний об'єкт.** Якщо свердло обертається із більшою швидкістю, то під час вільного обертання без контакту з оброблюваним об'єктом воно може деформуватися, що у свою чергу може спричинити травми.
- ▶ **На свердло дозволяється натискати лише у поздовжньому напрямку, не докладаючи при цьому надмірних зусиль.** Невиконання цієї вказівки може призвести до руйнування свердла внаслідок його деформування або спричинити травми внаслідок втрати контролю над інструментом.

2.3 Додаткові вказівки з техніки безпеки

Безпека персоналу

- ▶ Користуйтеся лише повністю справним інструментом.
- ▶ Вносити будь-які зміни до конструкції інструмента заборонено.
- ▶ Під час наскрізної обробки укріпіть відповідну ділянку поверхні з протилежного боку деталі. Осколки можуть розлітатися у різні боки та/або вниз і травмувати інших людей.
- ▶ Завжди міцно тримайте інструмент обома руками за передбачені для цього рукоятки. Слідкуйте за тим, щоб рукоятки були сухими та чистими.
- ▶ Завжди беріться за бокову рукоятку ззовні. Під час свердління та загвинчування інструмент може відхилитися вбік.
- ▶ Уникайте контакту з деталями інструмента, що обертаються. Існує ризик отримання травм!
- ▶ Під час роботи з інструментом використовуйте захисні окуляри, шолом, навушники, робочі рукавиці та легкий респіратор.
- ▶ Під час заміни робочого інструмента також користуйтеся захисними рукавицями. Контакт із робочим інструментом може призвести до отримання порізів або опіків.
- ▶ Використовуйте захисні окуляри. Уламки матеріалу можуть завдати поранень або пошкодити очі.
- ▶ Перш ніж розпочинати роботу, з'ясуйте клас небезпеки пилу, що при цьому буде утворюватися. Використовуйте будівельний пилосос затвердженого класу захисту, що відповідає місцевим вимогам щодо захисту від пилу.
- ▶ За можливості використовуйте систему видалення пилу та відповідний пересувний пилосос. Пил, що містить такі матеріали, як фарби із вмістом свинцю, тирсу деяких порід деревини, бетон, цеглу, кварцові гірські породи і мінерали, а також метал, може бути шкідливим для здоров'я.
- ▶ Подбайте про належну вентиляцію робочого місця та користуйтеся респіратором, який підходить до матеріалу, що обробляється. У разі контакту з таким пилом або при його вдиханні у користувача електроінструмента та у людей, що знаходяться поруч, можуть виникнути алергійні реакції та/або захворювання дихальних шляхів. Деякі різновиди пилу, наприклад деревини дуба і бука, вважаються канцерогенними, особливо у поєднанні з речовинами для обробки деревини (хроматом, засобами для захисту деревини). До обробки матеріалів, що містять азбест, допускаються лише фахівці зі спеціальною підготовкою.
- ▶ Працюйте з перервами та виконуйте вправи на розминання пальців, щоб покращити кровообіг у них. Під час довготривалих робіт вібрація може пошкодити судини або нерви у пальцях, руках або зап'ясткових суглобах.

Електрична безпека

- ▶ Перед початком роботи перевіряйте робоче місце на наявність прихованих електричних кабелів, газових та водопровідних труб. Якщо Ви під час роботи випадково пошкодите електричні кабелі, контакт з відкритими металевими деталями інструмента може спричинити ураження електричним струмом.

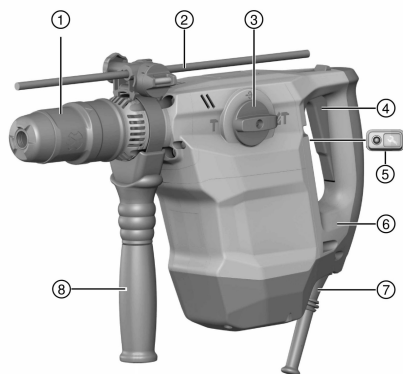
Належне використання електроінструментів та дбайливий догляд за ними

- ▶ Якщо сталося блокування змінного робочого інструмента, негайно вимкніть інструмент. Інструмент може відхилитися вбік.
- ▶ Зачекайте, доки змінний робочий інструмент повністю зупиниться, перш ніж знімати його з оброблюваного об'єкту.



3 Опис

3.1 Огляд продукту



- ① Затискний патрон
- ② Обмежувальний упор
- ③ Перемикач функцій
- ④ Вимикач
- ⑤ Сервісний індикатор
- ⑥ Кабель живлення
- ⑦ Бокова рукоятка

3.2 Модель зі знімним кабелем

- ① Кнопка блокування
- ② Роз'єм на електроінструменті
- ③ Кабель живлення із розніжним з'єднувачем спеціальної форми

3.3 Використання за призначенням

Описаний у цьому документі інструмент являє собою комбінований перфоратор з електричним приводом та пневматичним ударним механізмом. Він призначений для свердління отворів у бетоні, цегляній кладці, деревині та метали. Інструмент також може використовуватися для довбальних робіт на цегляній кладці в умовах легкого та середнього навантаження, а також для чистої обробки поверхні бетону.

- Експлуатація інструмента можлива лише за умови, що напруга і частота мережі живлення відповідають вказаним на заводській табличці значенням.

3.4 Можливі варіанти неналежного використання

- Цей інструмент не призначений для обробки матеріалів, що становлять небезпеку для здоров'я людини.
- Цей інструмент не призначений для використання у вологому середовищі.

3.5 Active Vibration Reduction

Інструмент оснащений системою Active Vibration Reduction (AVR), яка значно знижує рівень вібрації.

3.6 Швидкозатискний патрон (приладдя)

Швидкозатискний патрон дозволяє швидко замінювати робочий інструмент без застосування додаткового приладдя. Він може використовуватися зі змінними робочими інструментами, які оснащені циліндричним або шестигранним хвостовиком та призначені для застосування без режиму ударної обробки

3.7 Сервісний індикатор

Інструмент оснащений сервісним індикатором зі світловим сигналом.

Стан	Значення
Сервісний індикатор світиться	Інструмент потребує планового технічного обслуговування.



Стан	Значення
Сервісний індикатор мигає	Несправність інструмента. Передайте комбінований перфторатор до сервісної служби компанії Hilti для здійснення ремонту.

3.8 Комплект постачання

Комбінований перфторатор, бокова рукоятка, інструкція з експлуатації.

Інше приладдя, допущене до експлуатації з Вашим інструментом, Ви можете знайти у **Hilti Store** або на веб-сайті **www.hilti.group**

4 Технічні дані

4.1 Комбінований перфторатор

Номінальна напруга, номінальний струм, частота та/або номінальна споживана потужність вказані на заводській табличці інструмента, передбаченій для Вашої країни.

Якщо живлення інструмента здійснюється від генератора або трансформатора, то його вихідна потужність має принаймні вдвічі перевищувати номінальну споживану потужність, вказану на заводській табличці інструмента. Робоча напруга трансформатора або генератора повинна постійно перебувати у межах від +5 % до -15 % від номінальної напруги інструмента.

	TE 50-AVR
Маса згідно з процедурою EPTA 01	6,1 кг
Температура зберігання	-20 °C ... 70 °C
Температура навколишнього середовища під час роботи	-17 °C ... 60 °C
Ø свердла для перфторатора	12 мм ... 32 мм
Ø свердла для деревини	6 мм ... 35 мм
Ø свердла для металу	6 мм ... 13 мм

4.2 Дані про шум та значення вібрації, виміряні згідно зі стандартом EN 62841

Наведені у цих рекомендаціях значення звукового тиску та вібрації були виміряні згідно з установленою процедурою вимірювання та можуть використовуватися для порівняння електроінструментів. Вони також придатні для попереднього оцінювання шумового та вібраційного навантаження.

Наведені дані обумовлюють переважні сфери застосування електроінструмента. Однак якщо Ви використовуєте його не за призначенням, застосовуєте нестандартне приладдя або неналежним чином здійснюєте догляд за інструментом, ці дані можуть відрізнятися від вказаних значень. Це може призвести до помітного збільшення шумового та вібраційного навантаження протягом усього робочого часу.

Для більш точної оцінки шумового та вібраційного навантаження необхідно враховувати також проміжки часу, протягом яких виріб залишається вимкненим або працює на холостому ходу. Це може значно зменшити вібраційне та шумове навантаження протягом усього робочого часу.

Необхідно також вживати додаткових заходів безпеки з метою захисту працівників від дії шуму та/або вібрації, зокрема: проводити своєчасне технічне обслуговування електроінструмента та змінних робочих інструментів до нього, тримати руки у теплі, належним чином організовувати робочий процес.

Рівень шуму

	TE 50-AVR
Рівень шумової потужності (L_{WA})	108 дБ(А)
Похибка для рівня шумової потужності (K_{WA})	3 дБ(А)
Рівень звукового тиску (L_{pA})	97 дБ(А)
Похибка для рівня звукового тиску (K_{pA})	3 дБ(А)



Сумарне значення вібрації

	TE 50-AVR
Свердління отворів у метали ($a_{h,D}$)	< 5 м/с ²
Ударне свердління отворів у бетоні ($a_{h,HD}$)	8,8 м/с ²
Довбання отворів ($a_{h,ChEQ}$)	7,1 м/с ²
Похибка наведених вище значень вібрації (K)	1,5 м/с ²

5 Експлуатація

5.1 Підготовка до роботи

ОБЕРЕЖНО

Ризик отримання травм! Випадкове увімкнення інструмента.

- ▶ Виймайте штепсельну вилку кабелю живлення з розетки, перш ніж задавати налаштування інструмента або замінювати приладдя.

Дотримуйтеся попереджувальних вказівок та вказівок з техніки безпеки, наведених у цьому документі та на корпусі інструмента.

5.1.1 Установлення бокової рукоятки

1. Прокрутіть головку-фіксатор, щоб вивільнити тримач (стягну стрічку) бокової рукоятки.
2. Насадіть тримач (стягну стрічку) спереду через затискний патрон у відповідний паз.
3. Установіть бокову рукоятку у потрібне положення.
4. Прокрутіть головку-фіксатор, щоб зафіксувати тримач (стягну стрічку) бокової рукоятки.

5.1.2 Установлення обмежувального упора (опція)

1. Прокрутіть головку-фіксатор, щоб вивільнити тримач (стягну стрічку) бокової рукоятки.
2. Уставте обмежувальний упор спереду у передбачені для нього 2 напрямні отвори.
3. Прокрутіть головку-фіксатор, щоб зафіксувати тримач (стягну стрічку) бокової рукоятки.
 - ▶ Обмежувальний упор установлений. Щоб відрегулювати потрібну глибину свердління:
4. Ослабте гвинт на обмежувальному упорі.
5. Установіть обмежувальний упор на бажану глибину свердління.
6. Затягніть гвинт на обмежувальному упорі.

5.1.3 Установлення/змінення змінного робочого інструмента

ОБЕРЕЖНО

Ризик отримання травм внаслідок контакту зі змінним робочим інструментом! Змінний робочий інструмент може бути гарячим, а його кромки – гострими.

- ▶ Під час заміни робочого інструмента використовуйте захисні рукавиці.

1. Нанесіть мастило тонким шаром на хвостовик змінного робочого інструмента.
2. Установіть змінний робочий інструмент до упору у затискний патрон, щоб зафіксувати його.
 - ▶ Інструмент готовий до роботи.
3. Відведіть фіксатор змінного робочого інструмента назад до упору та вийміть змінний робочий інструмент.



Використовуйте лише оригінальне мастило виробництва компанії **Hilti**. Використання невідповідного консистентного мастила може спричинити несправність виробу.

5.2 Під час роботи

ОБЕРЕЖНО

Небезпека пошкодження обладнання внаслідок неналежного використання!

- ▶ Не натискайте на перемикач напряму обертання та/або на перемикач вибору функцій під час роботи інструмента.



Дотримуйтеся попереджувальних вказівок та вказівок з техніки безпеки, наведених у цьому документі та на корпусі інструмента.

5.2.1 Ударне свердління

1. Установіть перемикач функцій у положення «Ударне свердління отворів» T.
2. Установіть свердло на робочу поверхню.
3. Натисніть на вимикач інструмента.
 - ▶ Інструмент увімкнеться.

5.3 Позиціонування зубила

ОБЕРЕЖНО

Ризик отримання травм! Втрата контролю над напрямом зубила.

- ▶ Забороняється працювати, коли перемикач функцій знаходиться в положенні «Позиціонування зубила». Установіть перемикач функцій у положення «Довбання отворів», поки він не зафіксується.

Зубило може бути виставлене в 24 різних позиціях (через кожні 15°). Це надає можливість працювати плоскими та фасонними зубилами в оптимальному для кожного їх різновиду робочому положенні.

1. Установіть перемикач функцій у положення «Позиціонування зубила» ↗.
2. Прокрутіть зубило, щоб установити його в потрібне положення.
3. Установіть перемикач функцій у положення «Довбання отворів» T, поки він не зафіксується.
 - ▶ Інструмент готовий до роботи.

5.3.1 Довбання отворів

- ▶ Установіть перемикач функцій у положення «Довбання отворів» T.

5.3.2 Увімкнення та вимкнення тривалого режиму роботи

У режимі довбання отворів Ви можете зафіксувати вимикач в увімкненому положенні.

1. Переведіть уперед кнопку з фіксатором для роботи у тривалому режимі.
2. Натисніть на вимикач до упору.
 - ▶ Тепер інструмент працюватиме у тривалому режимі.
3. Переведіть назад кнопку з фіксатором для роботи у тривалому режимі.
 - ▶ Інструмент вимкнеться.

6 Знімний кабель

6.1 Приєднання знімного кабелю живлення

ОБЕРЕЖНО

Ризик отримання травм внаслідок ураження струмом витоку, що утворюється через забруднення контактів.

- ▶ Рознімний з'єднувач кабелю живлення слід приєднувати до електроінструмента тільки у тому випадку, коли інструмент від'єднаний від мережі живлення та знаходиться у чистому сухому стані.

1. Уставте рознімний з'єднувач спеціальної форми, розташований на кінці кабелю живлення, у відповідне гніздо інструмента до упору, доки він не зафіксується із чітким характерним звуком.
2. Уставте штепсельну вилку кабелю живлення в розетку.

6.2 Від'єднання знімного кабелю живлення від електроінструмента

1. Вийміть штепсельну вилку кабелю живлення з розетки.
2. Натисніть кнопку блокування та вийміть рознімний з'єднувач спеціальної форми, розташований на кінці кабелю живлення.
3. Вийміть кабель живлення з інструмента.



7 Догляд і технічне обслуговування

ПОПЕРЕДЖЕННЯ

Небезпека ураження електричним струмом! Здійснення догляду та технічного обслуговування інструмента, що підключений до мережі живлення, може призвести до тяжких травм та опіків.

- ▶ Завжди діставайте штекер кабелю живлення з розетки, перш ніж розпочинати роботи з догляду та технічного обслуговування!

Догляд

- Обережно видаляйте накопичення бруду.
- Обережно прочищайте вентиляційні прорізи сухою щіткою.
- Протирайте корпус вологою тканиною. Забороняється використовувати миючі засоби, що містять силікон, оскільки вони можуть пошкодити пластмасові деталі.

Технічне обслуговування

ПОПЕРЕДЖЕННЯ

Небезпека ураження електричним струмом! Проведення неавторизованого ремонту електричних частин інструмента може призвести до отримання тяжких травм та опіків.

- ▶ До ремонту електричної частини інструмента залучайте лише фахівця-електрика.
- Регулярно перевіряйте усі зовнішні частини на наявність пошкоджень, а органи керування інструмента – на предмет справної роботи.
- Якщо Ви виявили пошкодження та/або порушення функціональності інструмента, припиніть його використання. Негайно зверніться до сервісної служби компанії **Hilti** для здійснення ремонту.
- Після проведення догляду і технічного обслуговування встановіть усі захисні пристрої та перевірте їхню роботу.



Щоб гарантувати належну роботу інструмента, використовуйте тільки оригінальні запасні частини та видаткові матеріали. Рекомендовані запасні частини, видаткові матеріали та приладдя для Вашого інструмента Ви можете придбати у найближчому магазині **Hilti Store** або на веб-сайті www.hilti.group.

8 Транспорткування та зберігання

- Забороняється транспортувати цей електроінструмент з установленим змінним робочим інструментом.
- На час зберігання електроінструмента слід завжди виймати штепсельну вилку із розетки.
- Зберігайте інструмент у сухому місці, недоступному для дітей та сторонніх осіб.
- Перш ніж використовувати інструмент після довготривалого зберігання або дальніх перевезень, його слід перевірити на наявність пошкоджень.

9 Допомога у разі виникнення несправностей

У разі виникнення несправностей, які не зазначені у цій таблиці або які Ви не можете полагодити самостійно, зверніться до сервісної служби компанії **Hilti**.

9.1 Допомога у разі виникнення несправностей

Несправність	Можлива причина	Рішення
Інструмент не вмикається.	Збій в мережі електроживлення	▶ Приєднайте інший інструмент до мережі живлення та перевірте його функціональність.
	Електронна система блокування повторного вмикання інструмента після збою в електромережі живлення активована.	▶ Вимкніть інструмент, а потім увімкніть його знову.



Несправність	Можлива причина	Рішення
Відсутній удар.	Інструмент занадто холодний.	► Установіть перфоратор на робочу поверхню та дайте йому попрацювати на холостому ходу. За необхідності повторіть операцію, доки ударний механізм не почне працювати.
Комбінований перфоратор працює не на повну потужність.	Подовжувальний кабель має занадто малий поперечний переріз.	► Використовуйте подовжувальний кабель із достатнім поперечним перерізом.
	Занадто низька напруга джерела електроживлення.	► Підключіть комбінований перфоратор до іншого джерела живлення.
Свердло не обертається.	Перемикач функцій не зафіксувався або знаходиться в положенні «Довбання отворів» T або «Позиціонування зубила» → .	► Установіть перемикач функцій у положення «Ударне свердління отворів» !T .
Свердло неможливо розблокувати з фіксатора.	Затискний патрон не повністю відведений назад.	► Відведіть фіксатор змінного робочого інструмента назад до упору та вийміть змінний робочий інструмент.
	Бокова рукоятка неправильно змонтована.	► Зніміть бокову рукоятку, а потім належним чином установіть її знову, щоб натяжна стрічка й бокова рукоятка зафіксувалися в заглибині.
Сервісний індикатор горить після заміни вугільних щіток.	Пришліфування контактів ще не завершено.	► Щоб досягти припрацювання вугільних щіток, використовуйте інструмент без перерви протягом 1 хвилини на холостому ходу.

10 Утилізація

Більшість матеріалів, з яких виготовлено інструменти компанії **Hilti**, придатні для вторинної переробки. Передумовою для їхньої вторинної переробки є належне сортування відходів за типом матеріалу. У багатьох країнах світу компанія **Hilti** приймає старі інструменти для їхньої утилізації. Щоб отримати додаткову інформацію з цього питання, звертайтеся до сервісної служби компанії **Hilti** або до свого торгового консультанта.



- Не викидайте електроінструменти, електронні пристрої та акумуляторні батареї у баки для побутового сміття!

11 RoHS (директива КНР про обмеження використання небезпечних речовин)

Щоб переглянути таблицю з інформацією про небезпечні речовини, будь ласка, перейдіть за таким посиланням: qr.hilti.com/r4902202.

Посилання на таблицю з інформацією про речовини, включені до директиви RoHS, наведено наприкінці цього документа у вигляді QR-коду.

12 Гарантійні зобов'язання виробника

- З питань гарантії, будь ласка, звертайтеся до найближчого партнера компанії **Hilti**.



Түпнұсқа пайдалану бойынша нұсқаулық

1 Пайдалану бойынша нұсқаулық туралы мәліметтер

1.1 Бұл құжаттама туралы



Импорттауыш және өндірушінің өкілетті ұйымы

- (RU) Ресей Федерациясы
"Хилти Дистрибьюшн ЛТД" АҚ, 141402, Мәскеу облысы, Химки қ., Ленинградская к-сі, 25-бет, 15.26-құрылымы
- (BY) Беларусь Республикасы
"Хилти БиУай" ЖШС, 222750, Минск облысы, Дзержин ауданы, Р-1, 18 км, 2 (Слободка ауылының жанында), 1-34 құрылымы
- (KZ) Қазақстан Республикасы
"Хилти Қазақстан" ЖШС, 050057, Алматы қ., Бостандық ауданы, Тимирязев к-сі, 42/15 үй, литер 012 (15 корпус)
- (KG) Қырғыз Республикасы
"Т AND Т" ЖШҚ, 720021, Қырғызстан, Бішкек қ., Ибраимов көш., 29 А үйі
- (AM) Армения Республикасы
"ЭЙЧ-КОН" ЖШҚ, 0070, Ереван қ., Ерманда Кочар к-сі, 19/28

Өндірілген елі: жабдықтағы белгілеу тақтайшасын қараңыз.

Өндірілген күні: жабдықтағы белгілеу тақтайшасын қараңыз.

Тиісті сертификатты мына мекенжай бойынша табуға болады: www.hilti.ru

Сақтау, тасымалдау және пайдалану шарттарына пайдалану бойынша нұсқаулықта белгіленгеннен басқа арнайы талаптар қойылмайды.

Өнімнің қызмет ету мерзімі 5 жыл.

- Іске қосу алдында осы пайдалану бойынша нұсқаулықты оқып шығыңыз. Бұл қауіпсіз жұмыс пен ақаусыз басқару үшін алғышарт болып табылады.
- Осы пайдалану бойынша нұсқаулықтағы және өнімдегі қауіпсіздік және ескерту нұсқауларын орындаңыз.
- Пайдалану бойынша нұсқаулықты әрдайым өнімде сақтаңыз және өнімді басқа тұлғаларға тек осы пайдалану бойынша нұсқаулықпен бірге тапсырыңыз.

1.2 Шартты белгілердің анықтамасы

1.2.1 Ескерту

Ескертулер өнімді қолдану барысындағы қауіптер туралы ескертеді. Төмендегі сигналдық сөздер пайдаланылады:

ҚАУІПТІ

ҚАУІПТІ !

- ▶ Ауыр жарақаттарға әкелетін немесе өмірге қауіп төндіретін тікелей қауіпті жағдайдың жалпы белгіленуі.

ЕСКЕРТУ

ЕСКЕРТУ !

- ▶ Ауыр жарақаттарға әкелуі немесе өмірге қауіп төндіруі мүмкін ықтимал қауіпті жағдайдың жалпы белгіленуі.

АБАЙЛАҢЫЗ

АБАЙЛАҢЫЗ !

- ▶ Жарақат алуға немесе мүліктің зақымдалуына әкелуі мүмкін ықтимал қауіпті жағдайдың жалпы белгіленуі.



1.2.2 Пайдалану бойынша нұсқаулықтағы белгілер

Бұл пайдалану бойынша нұсқаулықта төмендегі белгілер пайдаланылады:

	Пайдалану бойынша нұсқаулықты ұстану
	Аспапты пайдалану бойынша нұсқаулар және басқа пайдалы ақпарат
	Қайта пайдалануға болатын материалдармен жұмыс істеу
	Электр аспаптарды және аккумуляторларды тұрмыстық қоқысқа тастамаңыз

1.2.3 Суреттердегі белгілер

Суреттерде төмендегі белгілер қолданылады:

	Бұл сандар осы пайдалану бойынша нұсқаулықтың басындағы тиісті суретке сәйкес келеді.
3	Суреттердегі нөмірлер маңызды жұмыс кезеңдерін немесе жұмыс кезеңдері үшін маңызды құрамдас бөлшектерді көрсетеді. Мәтінде бұл жұмыс кезеңдері немесе құрамдас бөлшектері сәйкес сандармен ерекшеленеді, мысалы, (3).
	Позиция нөмірлері Шолу суретінде қолданылады және Өнімге шолу мақаласындағы шартты белгілердің нөмірлеріне сілтейді.
	Аталмыш белгілер өнімді қолдану барысында айрықша назарыңызды аудартады.

1.3 Өнімге қатысты белгілер

1.3.1 Өнімдегі белгілер

Өнімде төмендегі белгілер пайдаланылады:

	Соққымен бұрғылау (соғып бұрғылау)
	Кескішпен өңдеу
	Кескішті орналастыру
	II қорғау класы (қос изоляция)
/min	Минут ішіндегі айналымдар
n_0	Жүктемесіз номиналды айналу жиілігі
\emptyset	Диаметр
	Құрылғы iOS және Android платформаларымен үйлесімді NFC технологиясын қолдайды.

1.4 Өнім туралы ақпарат

HILTI өнімдері кәсіби пайдаланушыларға арналған және оларды тек қана өкілетті, білікті қызметкерлер пайдалануы, күтім және техникалық қызмет көрсетуі тиіс. Қызметкерлер қауіпсіздік техникасы бойынша арнайы нұсқау алуы керек. Өнім мен оның қосалқы құралдарын басқа мақсатта қолдану немесе олардың оқытылмаған қызметкерлердің тарапынан пайдаланылуы қауіпті.

Түр сипаттамасы мен сериялық нөмір фирмалық тақтайшада берілген.

- Сериялық нөмірді төмендегі кестеге көшіріп қойыңыз. Өнім туралы мәліметтерді өкілдігімізге немесе қызмет көрсету бөлімімізге сұрау беру арқылы алуға болады.

Өнім туралы мәліметтер

Құрама перфоратор	TE 50-AVR
Буын	03
Сериялық нөмір	



1.5 Сәйкестілік декларациясы

Біз осы нұсқаулықта сипатталған өнімнің қолданыстағы директивалар мен нормативтерге сәйкес келетінін толық жауапкершілікпен жариялаймыз. Сәйкестілік декларациясының суреті осы құжаттаманың соңында орналасқан.

Техникалық құжаттама мына жерде сақталған:

Hilti Entwicklungsgesellschaft mbH | Zulassung Geräte | Hiltistraße 6 | 86916 Kaufering, DE

2 Қауіпсіздік

2.1 Электр құралдары үшін қауіпсіздік техникасы бойынша жалпы нұсқаулар

⚠ ЕСКЕРТУ Бұл электр құралына арналған барлық қауіпсіздік нұсқауларын, нұсқауларды, суреттерді және техникалық деректерді оқып шығыңыз. Төменде берілген нұсқауларды орындамау электр тогының соғуына, өртке өкелуі мүмкін және/немесе ауыр жарақаттарды тудыруы мүмкін.

Қауіпсіздік техникасы бойынша барлық нұсқауларды және нұсқауларды келесі пайдаланушы үшін сақтаңыз.

Қауіпсіздік нұсқауларында қолданылатын «электр құралы» термині электр желісінен (желілік кабельмен) және аккумулятордан (желілік кабельсіз) жұмыс істейтін электр құралын білдіреді.

Жұмыс орны

- ▶ **Жұмыс орнындағы тазалықты және тәртіпті қадағалаңыз.** Жұмыс орнындағы ретсіздік және нашар жарық сәтсіз жағдайларға өкелуі мүмкін.
- ▶ **Жанғыш сұйықтықтар, газдар немесе шаң бар жарылыс қаупі бар аймақта электр құралын қолданбаңыз.** Жұмыс кезінде электр құралдары ұшқындар шығады және ұшқындар шаңды немесе буларды тұтандыруы мүмкін.
- ▶ **Балалардың және бөгде адамдардың жұмыс істеп тұрған электр құралына жақындауына рұқсат етпеңіз.** Жұмысқа көңіл бөлмегенде, электр құралын бақылау жоғалуы мүмкін.

Электр қауіпсіздігі

- ▶ **Электр құралдың байланыс ашасы электр желісінің розеткасына сай болуы керек. Айырдың конструкциясын өзгертпеңіз. Қорғауыш жерге қосуы бар электр құралдарымен бірге өтпелі айырларды қолданбаңыз.** Түпнұсқа айырлар және оларға сай розеткалар электр тогының соғу қаупін азайтады.
- ▶ **Жерге қосылған беттерге, мысалы, құбырларға, жылыту құралдарына, пештерге (плиталарға) және тоңазытқыштарға тікелей тиюді болдырмаңыз.** Жерге қосылған заттарға тигенде электр тогының соғуының үлкен қаупі туындайды.
- ▶ **Электр құралдарды жаңбырдан немесе ылғал әсерінен сақтаңыз.** Электр құралға су тиюі нәтижесінде электр тогының соғу қаупі артады.
- ▶ **Байланыс сымын басқа мақсатта қолданбаңыз, мысалы, электр құралды тасымалдау, оны іліп қою немесе электр желісінің розеткасынан айырды шығару үшін. Байланыс сымын жылу, май, өткір жиектер немесе жылжымалы бөліктерден алшақ ұстаңыз.** Байланыс сымының зақымдалуы немесе қабаттасуы нәтижесінде электр тогының соғу қаупі артады.
- ▶ **Егер жұмыстар ашық ауада орындалса, тек бөлмелерден тыс қолдануға рұқсат етілген ұзартқыш сымдарды пайдаланыңыз.** Бөлмелерден тыс қолдануға жарамды ұзартқыш сымды пайдалану электр тогының соғу қаупін азайтады.
- ▶ **Егер электр құралмен ылғалдылық жағдайларында жұмыс істеуді болдырмау мүмкін емес болса, шығып кететін токтан қорғау автоматын қолданыңыз.** Шығып кететін токтан қорғау автоматын қолдану электр тогының соғу қаупін азайтады.

Адамдардың қауіпсіздігі

- ▶ **Ұқыпты болыңыз, әрекеттеріңізге көңіл бөліңіз және электр құралымен жұмыс істеуге дұрыс қараңыз.** Шаршаған кезде немесе есірткі, алкоголь не дәрі қабылдаған соң электр құралын қолданбаңыз. Электр құралын қолданған кездегі зейінсіздік ауыр жарақаттарға апарып соғуы мүмкін.
- ▶ **Жеке қорғану құралдарын пайдаланыңыз және әрқашан міндетті түрде қорғауыш көзілдірікті киіңіз.** Электр құралының түріне және пайдалану жағдайларына байланысты жеке қорғану құралдарын, мысалы, шаңнан қорғайтын респираторды, сырғымайтын аяқ киімді, қорғауыш шлемді, естуді қорғау құралдарын қолдану жарақаттану қаупін азайтады.
- ▶ **Электр құралының кездесісоқ қосылуын болдырмаңыз.** Электр қуатына қосу және/немесе аккумуляторды қою, көтеру немесе тасымалдау алдында электр құралы өшірілгеніне көз жеткізіңіз. Электр құралын тасымалдағанда саусақтар сөндіргіште болатын немесе қосылған электр құралы желіге қосылатын жағдайлар сәтсіз жағдайларға өкелуі мүмкін.



- ▶ **Электр құралын қосу алдында реттеуші құрылғыларды және гайка кілтін алыңыз.** Электр құралының айналатын бөлігіндегі аспап немесе кілт жарақаттарға әкелуі мүмкін.
- ▶ **Жұмыс кезінде ыңғайсыз қалыптарға тұрмауға тырысыңыз. Үнемі тұрақты күйді және тепе-теңдікті сақтаңыз.** Бұл күтпеген жағдайларда электр құралын жақсырақ басқаруға мүмкіндік береді.
- ▶ **Арнайы киімді киіңіз. Өте бос киімді немесе әшекейлерді кимеңіз. Шашты, киімді және қолғапты электр құралының айналатын түйіндерінен сақтаңыз.** Бос киім, әшекейлер және ұзын шаш оларға ілінуі мүмкін.
- ▶ **Егер шаңды жинау және кетіруге арналған құрылғыларды қосу қарастырылған болса, олар қосылғанына және мақсаты бойынша қолданылып жатқанына көз жеткізіңіз.** Шаңды кетіру модулін пайдалану шаңның зиянды әсерін азайтады.
- ▶ **Өз мойныңызға қате қауіпсіздік сезімін алмаңыз және электр құралына арналған қауіпсіздік ережелерін бұзбаңыз, тіпті электр құралын жиі қолданатын тәжірибелі пайдаланушы болсаңыз.** Мұқиятсыз қолдану бірнеше секундта ауыр жарақаттануға апарып соғуы мүмкін.

Электр құралын қолдану және оған қызмет көрсету

- ▶ **Аспапқа шамадан тыс жүктеме түсуін болдырмаңыз. Нақ осы жұмысқа арналған электр құралын қолданыңыз.** Бұл ережені сақтау көрсетілген қуат диапазонында жоғарырақ жұмыс сапасын және қауіпсіздігін қамтамасыз етеді.
- ▶ **Сендіргіші бұзылған электр құралын қолданбаңыз.** Қосу немесе өшіру қиын электр құралы қауіпті және оны жөндеу керек.
- ▶ **Электр құралын реттеуге, саймандарды ауыстыруға кірісу алдында немесе жұмыстағы үзіліс алдында розеткадан ашаны және/немесе электр құралынан алмалы-салмалы аккумуляторды шығарыңыз.** Бұл сақтық шарасы электр құралының кездейсоқ қосылуын болдырмайды.
- ▶ **Қолданылмайтын электр құралдарын балалар жетпейтін жерде сақтаңыз. Аспаптан таныс емес немесе осы нұсқауларды оқып шықпаған адамдарға аспапты пайдалануға рұқсат бермеңіз.** Электр құралдары тәжірибесі жоқ пайдаланушылардың қолында қауіпті болады.
- ▶ **Электр құралдары мен керек-жарақтарға ұқыпты қараңыз. Айналмалы бөліктердің мүлтіксіз қызмет ететінін, олардың жүрісінің жеңілдігін, барлық бөліктердің тұтастығын және электр құралының жұмысына теріс әсер етуі мүмкін зақымдардың жоқтығын тексеріңіз. Аспаптың зақымдалған бөліктерін оны қолдану алдында жөндеуге өткізіңіз.** Электр құралына техникалық қызмет көрсету ережелерін сақтамау көп сәтсіз жағдайлардың себебі болып табылады.
- ▶ **Кескіш аспаптардың үшкір және таза болуын қадағалау керек.** Жұмыс күйінде сақталатын кескіш аспаптардың сыналануы сиректеу болады, оларды басқару жеңілдеу.
- ▶ **Электр құралын, саймандарды, көмекші құрылғыларды және т.б. нұсқауларға сай пайдаланыңыз.** Бұл кезде жұмыс жағдайларын және орындалатын жұмыстың сипатын ескеріңіз. Электр құралдарын басқа мақсаттарда қолдану қауіпті жағдайларға әкелуі мүмкін.
- ▶ **Тұтқыштар мен тұтқыш беттерін таза, құрғақ, май іздерінсіз ұстаңыз.** Сырғанақ тұтқыштар мен олардың беттері белгілі бір жағдайларда электр құралының қауіпсіз қолданылуы мен басқарылуына жол бермейді.

Қызмет көрсету

- ▶ **Электр құралын жөндеуді тек түпнұсқа қосалқы бөлшектерді қолданатын білікті қызметкерлерге сеніп тапсырыңыз.** Бұл электр құралын қауіпсіз күйде сақтауды қамтамасыз етеді.

2.2 Перфораторлармен жұмыс істеу кезіндегі қауіпсіздік техникасы бойынша нұсқаулар

Барлық жұмыстарға арналған қауіпсіздік техникасы бойынша нұсқаулар

- ▶ **Қорғауыш құлаққапты киіңіз.** Шу әсерінің нәтижесінде есту қабілеті жоғалуы мүмкін.
- ▶ **Аспап жинағына кіретін қосымша тұтқыштарды қолданыңыз.** Аспапты басқаруды жоғалту жарақаттарға әкелуі мүмкін.
- ▶ **Аспаптың жасырын электр сымдарын немесе желілік кабельді зақымдау қауіп болғанда аспапты оқшауланған беттерінен ұстаңыз.** Электр сымдарына тигенде аспаптың қорғалмаған металл бөліктері кернеу астында болады. Бұл электр тогының соғуына әкелуі мүмкін.

Ұзын бұрғы пайдаланылған кездегі қауіпсіздік техникасы бойынша нұсқаулар

- ▶ **Бұрғылау әрекетін әрдайым төмен айналу жиілігімен және бұрғы дайындамамен жанасып тұрғанда ғана бастаңыз.** Айналу жиілігі жоғары болған жағдайда бұрғы дайындамамен жанаспай еркін айналғаннан сәл қисайып кетуі және жарақаттануға апарып соғуы мүмкін.
- ▶ **Шамадан артық қысым қолданбаңыз және тек қана бойлық бағытпен бұрғылаңыз.** Бұрғылар қисайып жарылуы мүмкін немесе бақылау мүмкіндігінен айырылып, жарақат алуыңыз мүмкін.



2.3 Қауіпсіздік бойынша қосымша нұсқаулар

Адамдардың қауіпсіздігі

- ▶ Өнімді тек техникалық мінсіз күйінде қолданыңыз.
- ▶ Аспапта ешқашан бейімдеу не өзгерту жұмыстарын орындамаңыз.
- ▶ Төсіп өтетін бұрғылау кезінде қауіпті аймақты қабырғаның қарама-қарсы жағынан қоршаңыз. Сыртқа шығатын және/немесе төмен түсетін сынықтар адамдарға жарақат тигізуі мүмкін.
- ▶ Өрқашан аспапты екі қолмен тұтқыштарынан берік ұстаңыз. Тұтқышты құрғақ өрі таза күйінде ұстаңыз.
- ▶ Бүйірлік тұтқаны өрқашан сыртынан ұстаңыз. Бұрғылау мен бұрау кезінде аспап шетке ауытқуы мүмкін.
- ▶ Аспаптың айналатын бөлшектеріне тиемеңіз - жарақат алу қаупі бар!
- ▶ Аспапты қолданған кезде арнайы қорғаныс көзілдірігін, қорғаныс шлемін, құлаққап, қорғаныс қолғап пен жеңіл респиратор тағып жүріңіз.
- ▶ Құралды алмастырған кезде қорғаныс қолғаптарын да киіңіз. Алмалы-салмалы аспапқа тию кесіктерге және күйіктерге апарып соғуы мүмкін.
- ▶ Қорғауыш көзілдіріктерді пайдаланыңыз. Материалдың сынықтары денені және көзді жарақаттауы мүмкін.
- ▶ Жұмысты бастау алдында дайындама материалы бойынша пайда болатын шаңның қауіп класын анықтаңыз. Аспаппен жұмыс істеу үшін қорғаныс дәрежесі қолданыстағы шаңнан қорғау нормаларына сай құрылыс шаңсорғышын қолданыңыз.
- ▶ Мүмкіндігінше шаңсорғыш пен арнайы жылжымалы шаң жинағышты қолданыңыз. Құрамында қорғасын бар бояулар, ағаштың кейбір түрлері, бетон/кірпіш қалауы/кварц қамтитын жыныстар және минералдар мен металл сияқты материалдардан пайда болатын шаң денсаулық үшін зиянды болуы мүмкін.
- ▶ Жұмыс орнындағы ауа алмасуды жақсарту үшін әрекет етіңіз және қажетінше тиісті шаңға арналған респираторды тағыңыз. Мұндай шаңның бөлшектерімен дем алу немесе оған тию пайдаланушыларда немесе жанындағы адамдарда аллергиялық реакциялардың және/немесе дем алу жолдары ауруларының пайда болуына әкелуі мүмкін. Кейбір шаң түрлері (мысалы, еменді немесе шамшатты өңдеу кезінде пайда болатын шаң) канцерогенді деп есептеледі, әсіресе ағашты өңдеу үшін қолданылатын қосымша материалдармен (хром қышқылының тұзы, ағашты қорғау заттары) тіркесімде. Құрамында асбест бар материалдарды тек мамандар өңдеуі керек.
- ▶ Саусақтарыңыздың қандандыруын жақсарту үшін үзіліс жасап, жаттығулар жасаңыз. Ұзақ уақыт жұмыс істеген кезде, дірілдердің салдарынан саусақ, қол не буындардың қантамыры не жүйкесіне кері әсер тиюі мүмкін.

Электр қауіпсіздігі

- ▶ Жұмысты бастамас бұрын, жұмыс аймағындағы электрлік сымдар, газ бен су құбырлары жабық екендігіне көз жеткізіңіз. Ток сымына байқамастан зақым келтірген жағдайда, аспаптағы сыртта орналасқан металл бөлшектер ток соғу қаупін тудыруы мүмкін.

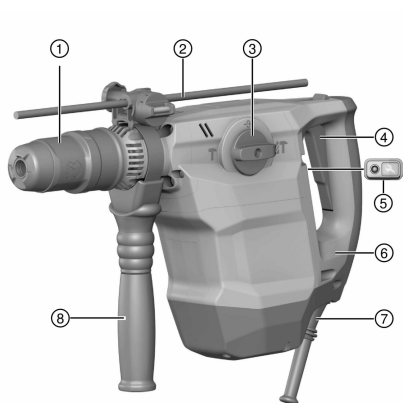
Электр құралмен дұрыс жұмыс істеу және оны дұрыс пайдалану

- ▶ Құрал блокталған кезде электр құралды бірден өшіріңіз. Аспап бүйірімен ауытқуы мүмкін.
- ▶ Электр құралды алып тастау алдында оның толығымен тоқтатылған күйге орнатылғанына дейін күтіңіз.



3 Сипаттама

3.1 Өнімге шолу 1



- ① Құрал бекіткіші
- ② Тереңдік шектегіші
- ③ Функцияны таңдау қосқышы
- ④ Негізгі сөндіргіш
- ⑤ Қызметтік индикатор
- ⑥ Желілік кабель
- ⑦ Бүйірлік тұтқа

3.2 Штепсельдік кабельмен құрылыс 2

- ① Тежегіш түйме
- ② Электрлік аспаптағы қосылым
- ③ Кодталған, ажырайтын электрлік қосқышы бар желілік кабель

3.3 Мақсатына сай қолдану

Сипатталған өнім пневматикалық соғатын механизмі бар электр құрама перфоратор болып табылады. Ол бетон, кірпіш қалауы, ағаш пен металда бұрғылау жұмыстарына арналған. Бұған қоса, бұл өнімді кірпіш қалау бойынша жеңіл және орташа ауыр қашау жұмыстарын және бетон бойынша өңдеу жұмыстарын орындау үшін қолдануға болады.

- ▶ Аспапты тек фирмалық тақтайшада көрсетілгендей электр желісінің кернеуі болғанда пайдалану мүмкін болады.

3.4 Ықтимал қате қолдану

- Аталған өнім денсаулық үшін зиянды материалдарды өңдеуге арналмаған.
- Аталған өнім ылғалды ортада жұмыс істеуге арналмаған.

3.5 Active Vibration Reduction

Өнім дірілді айтарлықтай азайтатын қосымша Active Vibration Reduction (AVR) жүйесімен жабдықталған.

3.6 Тез қысу қысқысы (керек-жарақ)

Тез қысу қысқысы құралды қосымша құралдарсыз жылдам ауыстыруға мүмкіндік береді. Ол «Соққысыз » режимінде пайдаланылатын цилиндрлік білігі немесе алты қыры бар құралдарға арналған.

3.7 Қызметтік индикатор

Өнім жарық сигналы бар қызметтік индикатормен жабдықталған.

Құралдың бөлшектері	Сипаттамасы
Қызметтік индикатор жанып тұр	Қызмет көрсету мерзімі шегіне жетті.
Қызметтік индикатор жыпылықтайды	Өнімдегі зақымдар. Құрама перфораторды Hilti қызмет көрсету орталығында жөндеңіз.



3.8 Жеткізілім жинағы

Құрама перфоратор, бүйірлік тұтқыш, пайдалану бойынша нұсқаулық.

Оған қоса өніміңіз үшін рұқсат етілген жүйелік өнімдерді **Hilti Store** дүкенінде немесе мына веб-сайттан табуға болады: www.hilti.group

4 Техникалық сипаттамалар

4.1 Құрама перфоратор



Номиналды кернеу, номиналды ток, жиілік және/немесе номиналды тұтынылатын қуат туралы ақпарат елге тән фирмалық тақтайшада берілген.

Генераторда немесе трансформаторда жұмыс істеген кезде, осы шығыс қуат аспаптың фирмалық тақтайшасында көрсетілген номиналды тұтынылатын қуаттан кем дегенде екі есе жоғары болуы керек. Трансформатор немесе генератордың басқару кернеуі әрдайым аспаптың номиналды тұтынылатын қуатының +5 % және -15 % аралығында болуы керек.

	TE 50-AVR
ЕРТА 01 әдісіне сай салмағы	6,1 кг
Сақтау температурасы	-20 °C ... 70 °C
Жұмыс кезіндегі қоршаған орта температурасы	-17 °C ... 60 °C
Ø Үлкен тесіктерге арналған бұрғы	12 мм ... 32 мм
Ø Ағаш бойынша бұрғы	6 мм ... 35 мм
Ø Металл бұрғысы	6 мм ... 13 мм

4.2 EN 62841 стандарты бойынша шуыл туралы ақпарат және діріл мәні

Осы нұсқауларда көрсетілген дыбыс қысымы мен діріл деңгейі стандартты өлшеу әдісімен өлшенген және оны басқа электр құралдарымен салыстыру үшін пайдалануға болады. Сонымен бірге, ол экспозицияны алдын ала бағалау үшін жарайды.

Берілген деректер электр құралының негізгі жұмысын көрсетеді. Алайда, егер электр құралы басқа мақсаттарда, басқа жұмыс аспаптарымен қолданылса немесе оған қанағаттандырмайтын техникалық қызмет көрсетілсе, деректер өзгеше болуы мүмкін. Осының салдарынан аспаптың бүкіл жұмыс істеу кезеңінде экспозиция айтарлықтай артуы мүмкін.

Экспозицияны дәл анықтау үшін электр құралы сөндірілген күй немесе бос жұмыс істейтін уақыт аралықтарын да ескеру керек. Осының салдарынан аспаптың бүкіл жұмыс істеу кезеңінде экспозиция айтарлықтай азаюы мүмкін.

Пайдаланушыны пайда болатын шуылдан және/немесе дірілден қорғау үшін қосымша сақтық шараларын қолданыңыз, мысалы: электр аспабына және жұмыс аспаптарына техникалық қызмет көрсету, қолдардың жылуын сақтау, жұмыс процестерін дұрыс ұйымдастыру.

Шуылдың эмиссиялық көрсеткіші

	TE 50-AVR
Дыбыс күшінің деңгейі (L_{WA})	108 дБ(A)
Дыбыс күшінің деңгейі бойынша дәлсіздік (K_{WA})	3 дБ(A)
Дыбыс қысымының деңгейі (L_{pA})	97 дБ(A)
Дыбыс қысымының деңгейі бойынша дәлсіздік (K_{pA})	3 дБ(A)

Дірілдің жалпы көрсеткіші

	TE 50-AVR
Металл бойынша бұрғылау ($a_{h,D}$)	< 5 м/с ²
Бетонда бұрғылау ($a_{h,HD}$)	8,8 м/с ²
Қашау ($a_{h,Chaq}$)	7,1 м/с ²
Жоғарыда берілген діріл көрсеткіштерінің дәлсіздігі (K)	1,5 м/с ²



5 Қызмет көрсету

5.1 Жұмысқа дайындық

АБАЙЛАҢЫЗ

Жарақат алу қаупі бар! Өнімнің кездейсоқ іске қосылуы.

- ▶ Аспап реттеулерін орындау немесе қосалқы бөлшектерді алмастыру алдында желілік ашаны тартып шығарыңыз.

Осы құжаттамадағы және өнімдегі қауіпсіздік және ескерту нұсқауларын орындаңыз.

5.1.1 Бүйірлік тұтқышты орнату

1. Бүйірлік тұтқыштың ұстағышын (тартылмалы таспаны) босату үшін, тұтқыш бойынша айналдырыңыз.
2. Ұстағышты (тартылмалы таспаны) алдыңғы жақтан құрал бекіткіші арқылы арнайы қарастырылған гайкаға дейін жылжытыңыз.
3. Бүйірлік тұтқышты қалаулы орынға орналастырыңыз.
4. Бүйірлік тұтқыштың ұстағышын (тартылмалы таспаны) керу үшін, тұтқыш бойынша айналдырыңыз.

5.1.2 Тереңдік шектегішін орнату (қосымша)

1. Бүйірлік тұтқыштың ұстағышын (тартылмалы таспаны) босату үшін, тұтқыш бойынша айналдырыңыз.
2. Тереңдік шектегішін алдыңғы жақтан арнайы қарастырылған 2 бағыттауыш саңылау ішіне жылжытыңыз.
3. Бүйірлік тұтқыштың ұстағышын (тартылмалы таспаны) керу үшін, тұтқыш бойынша айналдырыңыз.
 - ▶ Тереңдік шектегіші орнатылған. Бұрғылау тереңдігін реттеу үшін:
4. Тереңдік шектегішіндегі винтті босатыңыз.
5. Тереңдік шектегішін қажетті тереңдікке орнатыңыз.
6. Тереңдік шектегішіндегі бұранданы жабыңыз.

5.1.3 Алмалы-салмалы құралды орнату/алып тастау

АБАЙЛАҢЫЗ

Алмалы-салмалы құралды мүқият пайдаланбаса, одан жарақат алу қаупі бар! Алмалы-салмалы аспап ыстық не өткір болуы мүмкін.

- ▶ Алмалы-салмалы аспапты ауыстырған кезде қорғауыш қаптаманы тіреңіз.

1. Алмалы-салмалы аспап ұшын аздап майлаңыз.
2. Алмалы-салмалы аспапты аспап қысқысына тірелгенше салыңыз.
 - ▶ Өнім жұмысқа дайын.
3. Құрал құлпын шегіне дейін артқа тартыңыз және алмалы-салмалы аспапты шығарыңыз.



Тек Hilti компаниясы ұсынған түпнұсқа жағармай қолданыңыз. Жарамсыз майды пайдалану нәтижесінде өнім зақымдалуы мүмкін.

5.2 Жұмыс істеу

АБАЙЛАҢЫЗ

Зақымдалу қаупі. қате қолдану себебінен!

- ▶ Сөндіргішті жұмыс барысында айналу бағытын және/немесе функцияны таңдау үшін пайдаланбаңыз.

Осы құжаттамадағы және өнімдегі қауіпсіздік және ескерту нұсқауларын орындаңыз.

5.2.1 Соққымен бұрғылау (соғатын бұрғылау)

1. Функцияны таңдау қосқышын «Соққымен бұрғылау» күйіне орнатыңыз.
2. Бұрғыны астыңғы бет үстіне орнатыңыз.
3. Бұғаттаудан шығару түймесін басыңыз.
 - ▶ Өнім жұмыс істеп тұр.



5.3 Кескішті орналастыру

АБАЙЛАҢЫЗ

Жарақат алу қаупі бар! Кескіш бағытының бақылауын жоғалту.

- ▶ «Қашау күйін таңдау» күйінде жұмыс істемеңіз. Функцияны таңдау қосқышын тірелгенше "Кескішпен өңдеу" параметріне орнатыңыз.



Кескішті 24 түрлі позицияға (15° қадамға) орнатуға болады. Осының есебінен жалпақ және қалыпқа түсірілген кескіштерді қажетті жұмыс күйіне орнатуға болады.

1. Функцияны таңдау қосқышын «Кескішті орналастыру» күйіне орнатыңыз.
2. Кескішті қалаулы позицияға бұраңыз.
3. Функцияны таңдау қосқышын тірелгенше «Кескішпен өңдеу» **T** параметріне орнатыңыз.
 - ▶ Өнім жұмысқа дайын.

5.3.1 Кескішпен өңдеу

- ▶ Функцияны таңдау қосқышын «Кескішпен өңдеу» **T** күйіне орнатыңыз.

5.3.2 Үздіксіз жұмыс режимін қосу/өшіру



Қашау режимінде қосқыш/ажыратқышты қосылған күйде бекітуге болады.

1. Үздіксіз жұмыс режиміне арналған тежегіш түймені алға қарай жылжытыңыз.
2. Қосқыш/ажыратқышты толығымен басыңыз.
 - ▶ Өнім енді үздіксіз жұмыс режимінде істеп тұр.
3. Үздіксіз жұмыс режиміне арналған тежегіш түймені артқа қарай жылжытыңыз.
 - ▶ Өнім өшіп қалады.

6 Штепсельдік ашасы бар кабель

6.1 Алмалы-салмалы желілік кабельді жалғау

АБАЙЛАҢЫЗ

Жарақат алу қаупі контактілер кірленген жағдайда кему тоғы арқылы.

- ▶ Ажырайтын электрлік қосқышты тек таза, құрғақ, әрі тартылыссыз күйінде электрлік аспапқа жалғаңыз.

1. Кодталған, ажырайтын электрлік қосқышты тірелуі естілмегенше аспапқа салыңыз.
2. Желілік кабель ашасын розеткаға салыңыз.

6.2 Алмалы-салмалы желілік кабельді электрлік аспаптан ажырату

1. Кабель ашасын желілік розеткадан шығарыңыз.
2. Тежегіш түймені басып, кодталған, ажырайтын электрлік штепсельдік қосылымды ажыратыңыз.
3. Желілік кабельді аспаптан тартып шығарыңыз.

7 Күтім және техникалық қызмет көрсету

ЕСКЕРТУ

Ток соғу қаупі бар! Желілік аша енгізіліп тұрған кезде күтім және техникалық қызмет көрсету ауыр жарақаттарға және өртке апарып соғуы мүмкін.

- ▶ Кез келген күтім және техникалық қызмет көрсету жұмысын орындамас бұрын желілік ашаны әрдайым суырып алыңыз!

Аспапты күту

- Қатты жабысқан кірді мұқият кетіріңіз.
- Желдету ойықтарын құрғақ қылшақпен жайлап тазалаңыз.



- Корпусты тек сәл суланған шүберекпен тазалаңыз. Ешқандай силикон қамтитын күтім құралдарын пайдаланбаңыз, өйткені олар пластмасса бөлшектерін зақымдауы мүмкін.

Техникалық қызмет көрсету

ЕСКЕРТУ

Ток соғу қаупі! Электрлік құрамдас бөлшектерді қате жөндеу ауыр жарақаттану мен өртке апарып соғуы мүмкін.

- ▶ Аспаптың электр бөлігін жөндеуді тек маман-электрикке тапсырыңыз.
- Барлық көзге көрінетін бөлшектерде зақымдардың бар-жоғын және басқару элементтерінің ақаусын жұмысын жиі тексеріп тұрыңыз.
- Өнім зақымдалған және/немесе ақаулы болған жағдайда оны пайдаланушы болмаңыз. Бірден **Hilti** қызмет көрсету орталығына жөндетіңіз.
- Күтім және техникалық қызмет көрсету жұмыстарынан кейін барлық қорғауш құрылғыларды орнатып, жұмысын тексеріңіз.

Қауіпсіз қолдану үшін тек түпнұсқа қосалқы бөлшектер мен жұмсалатын материалдарды қолданыңыз. Біз рұқсат еткен қосалқы бөлшектер, шығын материалдары мен өнімге арналған керек-жарақтар **Hilti Store** дүкенінде немесе келесі веб-сайтта қолжетімді: www.hilti.group.

8 Тасымалдау және сақтау

- Электр аспапты енгізілген құралымен бірге тасымалдамаңыз.
- Электр аспапты әрқашан ажыратылған ашасымен бірге сақтаңыз.
- Аспапты құрғақ күйінде және балалар мен рұқсаты жоқ адамдардың қолы жетпейтін жерде сақтаңыз.
- Электр аспапты ұзақ уақыт тасымалдаған не сақтаған соң, оны пайдалану алдында зақымдардың бар-жоғын тексеріңіз.

9 Ақаулықтардағы көмек

Бұл кестеде келтірілмеген немесе өзіңіз түзете алмайтын ақаулықтар орын алғанда, **Hilti** қызмет көрсету орталығына хабарласыңыз.

9.1 Ақаулықтардағы көмек

Ақаулық	Ықтимал себеп	Шешім
Аспап жұмыс істемейді.	Электрмен қамту жоқ	▶ Басқа электр құралын жалғап, жұмысын тексеріңіз.
	Электр қамтуындағы үзілістен кейін іске қосуды электрондық бұғаттау белсендірілген.	▶ Аспапты өшіріп қайта қосыңыз.
Соққымен бұрғылау орындалмайды.	Аспап тым суық.	▶ Перфораторды жерге қойып, бос жүріспен жұмыс істетіңіз. Қажет болса, соққы механизмі жұмыс істегенше әрекетті қайталаңыз.
Құрама перфоратор толық қуатпен жұмыс істемейді.	Ұзартқыш кабельдің көлденең қимасы тым кішкентай.	▶ Қимасы жеткілікті ұзартқыш кабельді қолданыңыз.
	Қуат көзінің көрнеуі тым төмен.	▶ Құрама перфораторды басқа қуат көзіне жалғаңыз.
Бұрғы айналмайды.	Функцияны таңдау қосқышы тіркелмеген немесе T «Кескішпен өңдеу» немесе -9 «Кескішті орналастыру» күйінде.	▶ Функцияны таңдау қосқышын «Соққымен бұрғылау» IT параметріне орнатыңыз.
Бұрғы бекітіштен босатылмайды.	Құрал бекітіші толық тартылмаған.	▶ Құрал құлпын шегіне дейін артқа тартыңыз және құралды шығарыңыз.



Ақаулық	Ықтимал себеп	Шешім
Бұрғы бекітіштен босатылмайды.	Hilti қызмет көрсету орталығына барыңыз.	► Бүйірлік тұтқышты босатыңыз және дұрыс орнатыңыз, тартылмалы таспа мен бүйірлік тұтқыш ойыққа бекітілуі керек.
Қызметтік индикатор көмір қылшақтарды алмастырған соң жанады.	Контактілер қырнап өңделмеген.	► Көмір қылшақтарын бос жүріс күйінде кемінде 1 минут ішінде үздіксіз жұмыс істетіңіз.

10 Кәдеге жарату

Hilti аспаптары қайта өңдеу үшін жарамды көптеген материалдардың санын қамтиды. Кәдеге жарату алдында материалдарды мұқият сұрыптау керек. Көптеген елдерде Hilti компаниясы ескі аспабыңызды қайта өңдеу үшін қайта қабылдайды. Hilti қызмет көрсету орталығынан немесе дилеріңізден сұраңыз.



- Электр құралдарды, электрондық құрылғылар мен аккумуляторларды тұрмыстық қоқыспен бірге тастамаңыз!

11 RoHS (зиянды заттектердің пайдаланылуын шектеу директивасы)

Төмендегі сілтеме бойынша зиянды заттектердің кестесі келтірілген: qr.hilti.com/r4902202. RoHS кестесінің сілтемесі осы құжаттамаңыздың соңында QR коды ретінде берілген.

12 Өндіруші кепілдігі

- Кепілдік шарттары туралы сұрақтарыңыз болса, жергілікті Hilti серіктесіне жолығыңыз.

Оригинално Ръководство за експлоатация

1 Дани за Ръководството за експлоатация

1.1 Към Ръководството за експлоатация

- Преди пускане в експлоатация прочетете настоящото Ръководство за експлоатация. Това е предпоставка за безопасна работа и безаварийна употреба.
- Спазвайте указанията за безопасност и предупреждение в това Ръководство за експлоатация и върху продукта.
- Съхранявайте Ръководството за експлоатация винаги заедно с продукта и предавайте продукта на други лица само заедно с настоящото Ръководство за експлоатация.

1.2 Условни обозначения

1.2.1 Предупредителни указания

Предупредителните указания предупреждават за опасност в зоната около продукта. Използват се следните сигнални думи:

ОПАСНОСТ

ОПАСНОСТ !

- Отнася се за непосредствена опасност от заплаха, която води до тежки телесни наранявания или смърт.

ПРЕДУПРЕЖДЕНИЕ

ПРЕДУПРЕЖДЕНИЕ !

- Отнася се за възможна опасност от заплаха, която може да доведе до тежки телесни наранявания или смърт.



ПРЕДПАЗЛИВОСТ

ВНИМАНИЕ !

- ▶ Отнася се за възможна опасна ситуация, която може да доведе до телесни наранявания или материални щети.

1.2.2 Символи в Ръководството за експлоатация

В настоящото Ръководство за експлоатация се използват следните символи:

	Да се съблюдава Ръководството за експлоатация
	Препоръки при употреба и друга полезна информация
	Боравене с рециклируеми материали
	Не изхвърляйте електроуреди и акумулатори в битовите отпадъци

1.2.3 Символи във фигурите

Във фигурите се използват следните символи:

	Тези числа препращат към съответната фигура в началото на настоящото Ръководство за експлоатация.
3	Номерирането в илюстрациите показва важни работни стъпки или компоненти, които са важни за работните стъпки. В текста тези работни стъпки или компоненти са означени със съответните номера, напр. (3).
	Позиционните номера се използват в илюстрацията Преглед и препращат към номерата на легендата в Раздел Преглед на продукта .
	Този знак трябва да предизвика Вашето специално внимание при работа с продукта.

1.3 Символи в зависимост от продукта

1.3.1 Символи върху продукта

Върху продукта се използват следните символи:

	Ударно пробиване (пробиване с удар)
	Къртене
	Позициониране на секач
	Клас на защита II (двойна изолация)
/min	Обороти в минута
n_0	Обороти на празен ход при измерване
\emptyset	Диаметър
	Безжичен пренос на данни

1.4 Информация за продукта

Продуктите са предназначени за професионални потребители и могат да бъдат обслужвани, поддържани в изправност и ремонтирани само от оторизиран компетентен персонал. Този персонал трябва да бъде специално инструктиран за възможните опасности. Продуктът и неговите приспособления могат да бъдат опасни, ако бъдат експлоатирани неправомерно от неквалифициран персонал или ако бъдат използвани не по предназначение.

Обозначението на типа и серийният номер са отбелязани върху типовата табелка.



- ▶ Пренесете серийния номер в представената по-долу таблица. Вие се нуждаете от данните за продукта, когато се обръщате с въпроси към нашето представителство или сервизен отдел.

Данни за продукта

Комбинирана ударно-пробивна машина	TE 50-AVR
Поколение	03
Серийн №	

1.5 Декларация за съответствие

Ние декларираме на собствена отговорност, че описаният тук продукт отговаря на действащите директиви и стандарти. Копие на Декларацията за съответствие ще намерите в края на настоящата документация.

Тук се съхранява Техническата документация:

Hilti Entwicklungsgesellschaft mbH | Zulassung Geräte | Hiltistraße 6 | 86916 Kaufering, DE

2 Безопасност

2.1 Общи указания за безопасност при електроинструменти

⚠ ПРЕДУПРЕЖДЕНИЕ Прочетете всички указания за безопасност, инструкции, илюстрации и технически характеристики, с които е снабден този електроинструмент. Пропуски при спазване на приведените по-долу инструкции могат да предизвикат електрически удар, пожар и/или тежки наранявания.

Съхранявайте всички указания за безопасност и инструкции за бъдещи справки.

Използването в указанията за безопасност понятие "електроинструмент" се отнася до захранвани от електрическата мрежа електроинструменти (със захранващ кабел) или до захранвани от акумулатор електроинструменти (без захранващ кабел).

Безопасност на работното място

- ▶ **Поддържайте работното си място чисто и добре осветено.** Безпорядъкът или недостатъчното осветление в работната зона може да доведат до злополуки.
- ▶ **Не работете с електроинструмента във взривоопасна среда, където има горими течности, газове или прах.** В електроинструментите се отделят искри, които могат да възпламенят праховے или изпарения.
- ▶ **Дръжте деца и странични лица на безопасно разстояние, докато работите с електроинструмента.** Ако вниманието Ви бъде отклонено, може да загубите контрол върху уреда.

Безопасност при работа с електроинструменти

- ▶ **Съединителният щепсел на електроинструмента трябва да бъде подходящ за контакта.** В никакъв случай не се допуска изменение на конструкцията на щепсела. Ако работите със заземени електроинструменти, не използвайте адаптери за щепсела. Използването на оригинални щепсели и подходящи контакти намалява риска от електрически удар.
- ▶ **Избягвайте допира на тялото Ви до заземени повърхности като тръби, отоплителни уреди, печки и хладилници.** Рискът от възникване на електрически удар се увеличава, ако тялото Ви е заземено.
- ▶ **Предпазвайте електроинструментите от дъжд или влага.** Проникването на вода в електроинструмента повишава опасността от възникване на електрически удар.
- ▶ **Не използвайте съединителния проводник за цели, за които не е предназначен, напр. за носене на електроинструмента, за окачване или за изваждане на щепсела от контакта.** Предпазвайте съединителния проводник от нагряване, масла, остри ръбове или движещи се части. Повредени или усукани съединителни проводници увеличават риска от електрически удар.
- ▶ **Ако работите с електроинструмент на открито, използвайте само удължителни кабели, които са подходящи и за работа навън.** Използването на удължителен кабел, предназначен за работа на открито, намалява риска от електрически удар.
- ▶ **Ако не можете да избегнете работа с електроинструмента във влажна среда, използвайте ключ с вградена дефектнотокова защита.** Използването на ключ с вградена дефектнотокова защита намалява риска от електрически удар.

Безопасен начин на работа

- ▶ **Бъдете концентрирани, следете внимателно действията си и постъпвайте разумно при работа с електроинструменти.** Не използвайте електроинструмент, ако сте уморени или се намирате



под въздействие на наркотици, алкохол или медикаменти. Само един момент на невнимание при използването на електроинструмента може да доведе до сериозни наранявания.

- ▶ **Носете лични предпазни средства и работете винаги със защитни очила.** Носенето на лични предпазни средства, като прахозащитна маска, безопасени обувки със стабилен грайфер, защитна каска или антифони, според вида и употребата на електроинструмента, намалява риска от наранявания.
- ▶ **Избягвайте неволно включване на електроинструмента. Уверете се, че електроинструментът е изключен, преди да го свържете към електрозахранването и/или акумулатора, преди да го вземате или пренасяте.** Ако при носене на електроинструмента държите пръста си върху пусковия прекъсвач или ако свържете включения уред към електрозахранването, съществува опасност от злополука.
- ▶ **Преди да включите електроинструмента, се уверете, че сте отстранили от него всички инструменти за настройка или гаечни ключове.** Инструмент или ключ, който се намира на въртящо се зveno, може да доведе до наранявания.
- ▶ **Избягвайте неудобни положения на тялото. Работете при стабилно положение на тялото и пазете равновесие във всеки един момент.** Така ще можете да контролирате електроинструмента по-добре, ако възникнат неочаквани ситуации.
- ▶ **Работете с подходящо облекло. Не работете с широки и дълги дрехи или украшения. Дръжте косата си, дрехите си и ръкавиците си на безопасно разстояние от въртящи се части.** Свободните дрехи, украшенията или дългите коси могат да бъдат захванати и увлечени от въртящи се части.
- ▶ **Ако е възможно монтирането на съоръжения за събиране и изсмукване на прах, се уверете, че те са включени и се използват правилно.** Използването на прахоуловител може да намали породените от прахове опасности.
- ▶ **Не се поддавайте на измамното усещане за сигурност и не пренебрегвайте правилата за безопасност за електроинструменти дори и след като много добре сте опознали електроинструмента и сте го използвали многократно.** Нехайното действие може да доведе за части от секундата до тежки наранявания.

Използване и обслужване на електроинструмента

- ▶ **Не претоварвайте уреда. Използвайте електроинструмента само съобразно неговото предназначение.** Ще работите по-добре и по-безопасно, ако използвате подходящия електроинструмент в посочения диапазон на мощност.
- ▶ **Не използвайте електроинструмент, чийто прекъсвач е повреден.** Електроинструмент, който не може повече да бъде включван или изключван, е опасен и трябва да бъде ремонтиран.
- ▶ **Извадете щепсела от контакта и/или отстранете разглобяеми акумулатор, преди да предприемете действия по настройките на уреда, смяната на принадлежности или прибирането на уреда.** Тази предпазна мярка предотвратява опасността от задействане на електроинструмента по невнимание.
- ▶ **Съхранявайте неизползвани в момента електроинструменти далеч от достъпа на деца. Не допускате използването на уреда от лица, които не са запознати с него или не са прочели настоящите инструкции.** В ръцете на неопитни потребители електроинструментите могат да бъдат опасни.
- ▶ **Отнасяйте се грижливо към електроинструменти и принадлежности. Проверявайте дали подвижните елементи функционират безупречно и не заклинват, дали има счупени или повредени части, които нарушават функциите на електроинструмента. Преди да използвате уреда, дайте повредените части за ремонт.** Много злополуки се дължат на лошо поддържани електроинструменти.
- ▶ **Поддържайте режещите инструменти винаги добре заточени и чисти.** Добре поддържаните режещи инструменти с остри ръбове заклинват по-рядко и се водят по-лесно.
- ▶ **Използвайте електроинструменти, принадлежности, сменяеми инструменти и т.н. съгласно настоящите инструкции. Съобразявайте се и с конкретните работни условия и с дейностите, които трябва да бъдат извършвани.** Употребата на електроинструменти за цели, различни от предвидените от производителя, може да доведе до опасни ситуации.
- ▶ **Поддържайте ръкохватките и повърхностите за хващане сухи, чисти и незамазани от масла и смазки.** Хлъзгави ръкохватки и повърхности за хващане не позволяват безопасно обслужване и контрол на електроинструмента в непредвидени ситуации.

Сервизиране

- ▶ **Ремонтът на електроинструмента трябва да се извършва само от квалифицирани специалисти и само с оригинални резервни части.** По този начин се гарантира съхранение на безопасността на електроинструмента.



2.2 Указания за безопасност за чукове

Указания за безопасност за всички дейности

- ▶ **Носете антифони.** Въздействието на шума може да доведе до загуба на слуха.
- ▶ **Използвайте доставените заедно с уреда допълнителни ръкохватки.** Загубата на контрол може да доведе до наранявания.
- ▶ **Дръжте уреда за изолираните повърхности за хващане, когато извършвате работи, при които сменяемият инструмент може да попадне на скрита токопроводимост или на собствения си мрежов кабел.** Контактът с тоководещи проводници може да постави под напрежение металните части на уреда и да доведе до електрически удар.

Указания за безопасност при използване на дълги свредла

- ▶ **Започвайте процеса на пробиване винаги с малък брой обороти и по време контакта на свредлото с детайла.** При по-високи обороти свредлото може леко да се огъне, когато може да се върти свободно без контакт с детайла, и да причини наранявания.
- ▶ **Не прилагайте прекомерен натиск и пробивайте само в надлъжна посока.** Свредлата могат да се огънат и затова да се счупят или да причинят загуба на контрол и наранявания.

2.3 Допълнителни указания за безопасност

Безопасен начин на работа

- ▶ Използвайте продукта само в технически изправно състояние.
- ▶ Никога не извършвайте манипулации или промени по уреда.
- ▶ При пробиване на проходни отвори обезопасете областта на срещуположната страна на извършваните дейности. Отделящите се отломки могат да изпаднат навън и / или надолу и да наранят други хора.
- ▶ Винаги дръжте уреда здраво с две ръце за предвидените за целта ръкохватки. Поддържайте ракохватките сухи и чисти.
- ▶ Винаги хващайте страничната ръкохватка отвън. При пробиване и завинтване уредът може да се отклони настрана.
- ▶ Избягвайте допира до въртящи се части - опасност от нараняване!
- ▶ При експлоатация на уреда носете подходящи защитни очила, защитна каска, антифони, защитни ръкавици и лека маска за дихателна защита.
- ▶ При подмяната на инструменти носете защитни ръкавици. Допирът до сменяемия инструмент може да доведе до порезни рани и изгаряния.
- ▶ Използвайте защита за очите. Отломките от материала могат да наранят тялото и очите.
- ▶ Преди началото на работния процес се осведомете за степента на опасност на отделящия се при работа прах. Използвайте промишлен прахоуловител с официално разрешен клас на защита, който отговаря на местните разпоредби за защита от прах.
- ▶ По възможност използвайте прахоуловител и подходяща мобилна прахосмукачка. Прахове от материали, като съдържаща олово боя, някои видове дървесина, бетон/зидария/скала, които съдържат кварц и минерали, както и метали, могат да бъдат вредни за здравето.
- ▶ Погрижете се за доброто проветряване на работното място и при нужда носете маска за дихателна защита, която е подходяща за съответния прах. При допир или вдишване на прах могат да възникнат алергични реакции и/или заболявания на дихателните пътища на потребителя или на намиращите се в близост лица. Някои прахове, като прах от дъб или бук, се считат за канцерогенни, особено в комбинация с добавки за дървообработка (хромат, средства за защита на дървесина). Азбестосъдържащият материал трябва да се обработва само от специалисти.
- ▶ Правете работни паузи и упражнения за подобряване на кръвообращението в пръстите. При продължителна работа вибрациите могат да предизвикат нарушения на кръвоносните съдове или нервната система в областта на ставите на пръстите, ръцете или китките.

Безопасност при работа с електроинструменти

- ▶ Преди началото на работния процес проверете работната зона за скрити електрически проводници, газо- и водопроводи. Външно лежащите метални елементи на уреда могат да причинят електрически удар, ако по невниманию повредите токопроводник.

Грижливост отношение към електроинструменти и внимателно боравене с тях

- ▶ Изключете електроинструмента незабавно, ако инструментът блокира. Уредът може да се отклони настрана.
- ▶ Преди да свалите електроинструмента, изчакайте, докато престане да работи.



3 Описание

3.1 Преглед на продукта 1



3.2 Изпълнение със сменяем кабел 2

- ① Бутон за заключване
- ② Свързване към електроуред
- ③ Мрежов кабел с кодиран, разглобяем щепселен съединител

3.3 Употреба по предназначение

Описаният продукт представлява електрическа комбинирана ударно-пробивна машина с пневматичен ударен механизъм. Тя е предназначена за извършване на пробивни работи в бетон, зидария, дърво и метал. Продуктът може да бъде използван допълнително за леки до средни по обем къртачни работи в зидария и дооформяне на бетон.

- ▶ Експлоатацията е разрешена само при посочените върху типовата табелка мрежово напрежение и мрежова честота.

3.4 Възможни грешки при употреба

- Този продукт не е подходящ за обработка на животозастрашаващи материали.
- Този продукт не е подходящ за работа във влажна среда.

3.5 Active Vibration Reduction

Продуктът е оборудван с Active Vibration Reduction (AVR) система, която осезаемо намалява вибрациите.

3.6 Бързозатягащ патронник (принадлежност)

Бързозатягащият патронник позволява бърза смяна на инструменти без допълнителни инструменти. Той е подходящ за инструменти с цилиндрична опашка или шестостен, които се експлоатират в режим "Без удар ".

3.7 Сервизен индикатор

Продуктът е оборудван със сервизен индикатор със светлинен сигнал.

Състояние	Значение
Сервизният индикатор свети	Достигнат е моментът за сервизно обслужване.
Сервизният индикатор мига	Повреда на продукта. Предайте комбинираната ударно-пробивна машина в сервиз на Hilti за ремонт.



3.8 Обем на доставката

комбинирана ударно-пробивна машина, странична ръкохватка, Ръководство за експлоатация.
Други системни продукти, разрешени за Вашия продукт, ще намерите във Вашия **Hilti Store** или на: www.hilti.group

4 Технически данни

4.1 Комбинирана ударно-пробивна машина

Моля, потърсете на специфичната за Вашата страна типова табелка номиналното напрежение, номиналния ток, честотата и/или номиналната консумация.

При работа с генератор или трансформатор мощността им на отдаване трябва да бъде най-малко двойно по-висока от номиналната консумация, посочена на типовата табелка на уреда. Работното напрежение на трансформатора или генератора по всяко време трябва да бъде в рамките на +5 % и -15 % от номиналното напрежение на уреда.

	TE 50-AVR
Тегло в съответствие с EPTA-Procedure 01	6,1 кг
Температура на съхранение	-20 °C ... 70 °C
Температура на околната среда при работа	-17 °C ... 60 °C
Ø Ударно свредло	12 мм ... 32 мм
Ø Свредло за дърво	6 мм ... 35 мм
Ø Свредло за метал	6 мм ... 13 мм

4.2 Информация за шума и стойности на вибрациите съгласно EN 62841

Посочените в настоящите инструкции стойности на звуковото налягане и на вибрациите са били измерени в съответствие със стандартизиран метод на измерване и могат да бъдат използвани при сравняването на електроинструменти помежду им. Те са подходящи и за предварителна оценка на натоварването от трептения.

Посочените данни представят основните приложения на електроинструмента. Ако обаче електроинструментът се използва за други приложения, с различни сменяеми инструменти или при недостатъчна поддръжка, в данните може да се появят отклонения. Това може значително да повиши натоварването от трептения през целия период на експлоатация.

За точна преценка на натоварването от трептения трябва да се вземат предвид и периодите, в които електроинструментът е изключен или работи, но не е в реална експлоатация. Това може значително да намали натоварването от трептения през целия период на експлоатация.

Определете допълнителни мерки за безопасност с цел защита на работещия срещу въздействието на звука и/или вибрациите, като например: поддръжка на електроинструмент и сменяеми инструменти, поддръжане на топли ръце, организация на работните процеси.

Емисионни стойности на шума

	TE 50-AVR
Ниво на звукова мощност (L_{WA})	108 дБ(A)
Отклонение при ниво на звукова мощност (K_{WA})	3 дБ(A)
Ниво на звуково налягане (L_{pA})	97 дБ(A)
Отклонение при ниво на звуково налягане (K_{pA})	3 дБ(A)

Общи стойности на вибрациите

	TE 50-AVR
Пробиване в метал ($a_{h,D}$)	< 5 м/с ²
Ударно пробиване в бетон ($a_{h,HD}$)	8,8 м/с ²
Къртене ($a_{h,Cheq}$)	7,1 м/с ²
Отклонение от посочените стойности на вибрация (K)	1,5 м/с ²



5 Експлоатация

5.1 Подготовка на работата

ПРЕДПАЗЛИВОСТ

Опасност от нараняване! Неволно включване на продукта.

- ▶ Извадете мрежовия щепсел, преди да предприемете действия по настройките на уреда или смяна на принадлежностите.

Съблюдавайте указанията за безопасност и предупреждение в настоящата документация и върху продукта.

5.1.1 Монтиране на странична ръкохватка

1. Завъртете дръжката, за да освободите държача (обтягащата лента) на страничната ръкохватка.
2. Плъзнете държача (обтягащата лента) в посока отпред през патронника до предвидения за целта жлеб.
3. Позиционирайте страничната ръкохватка в желаното положение.
4. Завъртете дръжката, за да затегнете държача (обтягащата лента) на страничната ръкохватка.

5.1.2 Монтиране на дълбокомер (опционално)

1. Завъртете дръжката, за да освободите държача (обтягащата лента) на страничната ръкохватка.
2. Плъзнете дълбокомера в посока отпред в предвидените за целта 2 направляващи отвора.
3. Завъртете дръжката, за да затегнете държача (обтягащата лента) на страничната ръкохватка.
 - ▶ Дълбокомерът е монтиран. За настройка на дълбочина на пробиване:
4. Отворете винта на дълбокомера.
5. Настройте дълбокомера на желаната дълбочина на пробиване.
6. Затворете винта на дълбокомера.

5.1.3 Поставяне/изваждане на сменяем инструмент

ПРЕДПАЗЛИВОСТ

Опасност от нараняване със сменяем инструмент! Сменяемият инструмент може да бъде горещ или да има остри ръбове.

- ▶ Носете защитни ръкавици при подмяната на сменяемия инструмент.

1. Смажете леко опашката на сменяемия инструмент.
2. Плъхнете сменяемия инструмент в патронника до ограничителя и го оставете да се застопори.
 - ▶ Продуктът е в готовност за работа.
3. Издърпайте обратно блокировката на инструмента до ограничителя и извадете сменяемия инструмент.



Използвайте само оригинална смазка на Hilti. Използването на неподходяща смазка може да причини повреда по продукта.

5.2 Работа

ПРЕДПАЗЛИВОСТ

Опасност от повреда поради погрешно боравене!

- ▶ По време на експлоатация не задействайте бутона за посока на въртене и/или избор на функции.

Съблюдавайте указанията за безопасност и предупреждение в настоящата документация и върху продукта.

5.2.1 Ударно пробиване (пробиване с удар)

1. Поставете превключвателя за избор на функции на позиция "Ударно пробиване" .
2. Поставете свредлото върху основата.
3. Натиснете командния ключ.
 - ▶ Продуктът се включва.



5.3 Позициониране на секача

ПРЕДПАЗЛИВОСТ

Опасност от нараняване! Загуба на контрол върху посоката на къртене.

- ▶ Не работете в положение "Позициониране на секача". Поставете превключвателя за избор на функции в положение "Къртене", докато се застопори.



Секачът може да бъде позициониран в 24 различни позиции (на стъпки през 15°). По този начин можете винаги да работите с плоски и фасонни секачи в съответното оптимално работно положение.

1. Поставете превключвателя за избор на функции в положение "Позициониране на секача" .
2. Завъртете секача в желаната позиция.
3. Поставете превключвателя за избор на функции в положение "Къртене" , докато се застопори.
 - ▶ Продуктът е в готовност за работа.

5.3.1 Къртене

- ▶ Поставете превключвателя за избор на функции в положение "Къртене" .

5.3.2 Включване/изключване на продължителен режим на работа



В режим къртене можете да застопорите включвателя/изключвателя във включено положение.

1. Плъзнете блокиращия бутон за продължителен режим на работа в посока напред.
2. Натиснете докрай включвателя/изключвателя.
 - ▶ Сега продуктът работи в продължителен режим на работа.
3. Плъзнете блокиращия бутон за продължителен режим на работа в посока назад.
 - ▶ Продуктът се изключва.

6 Сменяем кабел

6.1 Съвързване на сменяем мрежов кабел

ПРЕДПАЗЛИВОСТ

Опасност от нараняване поради утечка на ток при замърсени контакти.

- ▶ Съвързвайте разглобяемия електрически щепселен съединител с електроуредата само в чисто, сухо и свободно от напрежение състояние.

1. Вкарайте кодирания, разглобяем електрически щепселен съединител докрай в уреда, докато се застопори с ясно щракване.
2. Включете мрежовия щепсел в контакта.

6.2 Изваждане на сменяем мрежов кабел от електроуредата

1. Издърпайте мрежовия щепсел от контакта.
2. Натиснете бутона за заключване и извадете навън кодирания, разглобяем електрически щепселен съединител.
3. Извадете мрежовия кабел от уреда.

7 Обслужване и поддръжка

ПРЕДУПРЕЖДЕНИЕ

Опасност от електрически удар! Обслужването и поддръжката с поставен мрежов щепсел могат да причинят тежки наранявания и изгаряния.

- ▶ Преди всяка дейност по обслужване и поддръжка винаги изваждайте мрежовия щепсел!



Обслужване

- Отстранявайте внимателно напластените замърсявания.
- Почиствайте внимателно вентилационните отвори със суха четка.
- Почиствайте корпуса само с леко навлажнена кърпа. Не използвайте препарати за почистване със силикон, тъй като те могат да увредят пластмасовите части.

Поддръжка



ПРЕДУПРЕЖДЕНИЕ

Опасност от електрически удар! Неправомерните ремонти по електрическата част могат да доведат до тежки наранявания и да причинят изгаряния.

- ▶ Ремонти по електрическата част могат да се извършват само от правоспособни електроспециалисти.
- Редовно проверявайте всички видими части за наличие на повреди, а елементите за управление - за изправно функциониране.
- Не работете с продукта при наличие на повреди и/или смущения във функциите. Незабавно предавайте уреда в сервиз на **Hilti** за ремонт.
- След извършване на дейности по обслужване и поддръжка монтирайте всички защитни устройства и проверете функциите.



За безопасна работа използвайте само оригинални резервни части и консумативи. Разрешение от нас резервни части, консумативи и принадлежности за Вашия продукт ще намерите във Вашия **Hilti Store** или на: **www.hilti.group**.

8 Транспорт и съхранение

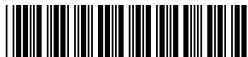
- Не транспортирайте електроуред с поставен инструмент.
- Съхранявайте електроуред винаги с изваден мрежов щепсел.
- Съхранявайте уреда на сухо място, далеч от достъпа на деца и неоторизирани лица.
- След продължително транспортиране или съхранение преди употреба проверявайте електроуред за повреди.

9 Помощ при наличие на смущения

При наличие на смущения, които не са посочени в таблицата или които Вие сами не можете да отстраните, моля, обърнете се към нашия сервиз на **Hilti**.

9.1 Помощ при наличие на смущения

Смущение	Възможна причина	Решение
Уредът не се включва.	Мрежовото електрозахранване е прекъснато	▶ Включете друг електроуред и проверете дали функционира.
	Електронната блокировка срещу включване е активирана след прекъсване на електрозахранването.	▶ Изключете уреда и отново го включете.
Няма удар.	Уредът е твърде студен.	▶ Поставете ударно-пробивната машина на пода и я оставете да работи на празен ход. При нужда повторете действието, докато ударният механизъм сработи.
Комбинираната ударно-пробивна машина не работи на пълна мощност.	Удължителният кабел има твърде малко напречно сечение.	▶ Използвайте удължителен кабел с достатъчно напречно сечение.
	Електрозахранването е с твърде ниско напрежение.	▶ Свържете комбинираната ударно-пробивна машина към друго електрозахранване.



Смущение	Възможна причина	Решение
Свредлото не се върти.	Превключвателят за избор на функции не е застопорен или е на позиция "Къртене" T , или "Позициониране на секача" -& .	▶ Поставете превключвателя за избор на функции на позиция "Ударно пробиване" !T .
Свредлото не може да се извади от фиксатора.	Патронникът не е издърпан до край назад.	▶ Издърпайте обратно блокировката на инструмента до ограничителя и извадете инструмента.
	Страничната ръкохватка не е монтирана правилно.	▶ Освободете страничната ръкохватка и я монтирайте правилно, така че обтягащата лента и страничната ръкохватка да се застопорят във вдлъбнатината.
Индикаторът за сервис свети след смяна на графитните четки.	Контактите още не са шлифовани.	▶ Оставете графитните четки да работят непрекъснато на празен ход най-малко 1 минута.

10 Третиране на отпадъци

Уредите на са произведени в по-голямата си част от материали за многократна употреба. Предпоставка за многократното им използване е тяхното правилно разделяне. В много страни фирмата **Hilti** изкупува обратно Вашите употребявани уреди. Попитайте отдела на **Hilti** за обслужване на клиенти или Вашия търговски представител.



- ▶ Не изхвърляйте електроинструменти, електронни устройства и акумулатори в битовите отпадъци!

11 RoHS (Директива за ограничаване на употребата на опасни вещества)

Таблица с опасни вещества ще намерите на следния линк: qr.hilti.com/r4902202.

Линк към RoHS таблица ще намерите в края на настоящата документация като QR код.

12 Гаранция на производителя

- ▶ При въпроси относно гаранционните условия, моля, обърнете се към Вашия местен **Hilti** партньор.

Manual de utilizare original

1 Date referitoare la manual de utilizare

1.1 Referitor la acest manual de utilizare

- Citiiți complet acest manual de utilizare înainte de punerea în funcțiune. Aceasta este condiția necesară pentru un lucru în siguranță și pentru o manevrare fără defecțiuni.
- Aveți în vedere indicațiile de securitate și de avertizare din acest manual de utilizare și de pe produs.
- Пăстраți întotdeauna manualul de utilizare în preajma produsului și transmiteți produsul altor persoane numai împreună cu acest manual de utilizare.

1.2 Explicarea simbolurilor

1.2.1 Indicații de avertizare

Indicațiile de avertizare avertizează împotriva pericolelor care apar în lucrul cu produsul. Sunt utilizate următoarele cuvinte-semnal:



PERICOL

PERICOL !

► Pentru un pericol iminent și direct, care duce la vătămări corporale sau la accidente mortale.

ATENȚIONARE

ATENȚIONARE !

► Pentru un pericol iminent și posibil, care poate duce la vătămări corporale sau la accidente mortale.

AVERTISMENT

AVERTISMENT !

► Pentru o situație potențial periculoasă, care poate duce la vătămări corporale sau pagube materiale.

1.2.2 Simboluri în manualul de utilizare

În acest manual de utilizare sunt utilizate următoarele simboluri:

	Respectați manualul de utilizare
	Indicații de folosire și alte informații utile
	Lucrul cu materiale reutilizabile
	Nu aruncați aparatele electrice și acumulatorii în containerele de gunoi menajer

1.2.3 Simboluri în imagini

Următoarele simboluri sunt utilizate în imagini:

2	Acest numere fac trimitere la figura respectivă de la începutul acestui manual de utilizare.
3	Numerotarea din imagini atrage atenția asupra etapelor de lucru importante sau asupra componentelor importante pentru etapele de lucru. Aceste etape de lucru sau componente sunt evidențiate în text cu numărul corespunzător, de ex. (3) .
11	Numerele pozițiilor sunt utilizate în figura Vedere generală și fac trimitere la numerele din legendă în paragraful Vedere generală a produsului .
	Acest semn are rolul de a stimula o atenție deosebită din partea dumneavoastră în lucrul cu produsul.

1.3 Simboluri în funcție de produs

1.3.1 Simboluri pe produs

Pe produs sunt utilizate următoarele simboluri:

	Găurire cu percuție (rotopercurtor)
	Dălțuire
	Poziționare daltă
	Clasa de protecție II (cu izolație dublă)
/min	Rotății pe minut
n_0	Turația nominală de mers în gol
\emptyset	Diametru
	Transmisie fără fir a datelor



1.4 Informații despre produs

Produsele sunt destinate utilizatorilor profesioniști, iar operarea cu acestea, întreținerea și repararea lor sunt activități permise numai personalului autorizat și instruit. Acest personal trebuie să fie instruit în mod special cu privire la potențialele pericole. Produsul și mijloacele sale auxiliare pot genera pericole dacă sunt utilizate necorespunzător sau folosite inadecvat destinației de către personal neinstruit.

Indicativul de model și numărul de serie sunt indicate pe plăcuța de identificare.

- ▶ Transcrieți numărul de serie în tabelul următor. Datele despre produs vă sunt necesare în cazul solicitărilor de informații la reprezentanța noastră sau la centrul de service.

Date despre produs

Mașină de perforat multifuncțională	TE 50-AVR
Generația	03
Număr de serie	

1.5 Declarație de conformitate

Declarăm pe propria răspundere că produsul descris aici este conform cu directivele și normele în vigoare. O imagine a declarației de conformitate găsiți la finalul acestei documentații.

Documentațiile tehnice sunt stocate aici:

Hilti Entwicklungsgesellschaft mbH | Zulassung Geräte | Hiltistraße 6 | 86916 Kaufering, DE

2 Securitate

2.1 Instrucțiuni de ordin general privind securitatea și protecția muncii pentru sculele electrice

ATENȚIONARE Consultați toate instrucțiunile de protecție a muncii, instrucțiunile de lucru, imaginile și datele tehnice cu care este prevăzută această sculă electrică. Neglijențele în respectarea următoarelor instrucțiuni pot provoca electrocutări, incendii și/ sau accidentări grave.

Păstrați toate instrucțiunile de protecție a muncii și instrucțiunile de lucru pentru consultare în viitor.

Termenul de „sculă electrică” folosit în instrucțiunile de protecție a muncii se referă la sculele cu alimentare de la rețea (cu cablu de rețea) la sculele electrice cu alimentare de la acumulatori (fără cablu de rețea).

Securitatea în locul de muncă

- ▶ **Mențineți curățenia și un iluminat bun în zona de lucru.** Dezordinea sau iluminatul insuficient în zona de lucru pot constitui surse de accidente.
- ▶ **Nu lucrați cu scula electrică în medii cu pericol de explozie, în care sunt prezente lichide, gaze sau pulberi inflamabile.** Sculele electrice generează scântei care pot aprinde pulberile sau vaporii.
- ▶ **Nu permiteți accesul copiilor și al altor persoane în zona de lucru pe parcursul utilizării sculei electrice.** În cazul distragerii atenției, puteți pierde controlul asupra aparatului.

Securitatea electrică

- ▶ **Fișa de racord a sculei electrice trebuie să se potrivească cu priza de alimentare. Orice gen de modificare a fișei este interzis. Nu folosiți niciun tip de fișe adaptoare împreună cu scule electrice cu pământare de protecție.** Fișele nemodificate și prizele adecvate diminuează riscul de electrocutare.
- ▶ **Evitați contactul corpului cu suprafețele legate la pământ, cum ar fi țevile, sistemele de încălzire, plitele și frigiderele.** Există un risc major de electrocutare atunci când corpul se află în contact cu obiecte legate la pământ.
- ▶ **Ferți sculele electrice de influența ploii și umidității.** Pătrunderea apei în scula electrică crește riscul de electrocutare.
- ▶ **Nu utilizați cablul de legătură în scopuri pentru care nu este destinat, de exemplu pentru a transporta scula electrică, a suspenda scula electrică sau pentru a trage fișa din priza de alimentare. Ferți cablul de legătură de influențele căldurii, uleiului, muchiilor ascuțite sau componentelor aflate în mișcare.** Cablurile de legătură deteriorate sau înfășurate majorează riscul de electrocutare.
- ▶ **Dacă lucrați cu o sculă electrică în aer liber, utilizați numai cabluri prelungitoare care sunt adecvate și pentru folosirea în exterior.** Folosirea cablurilor prelungitoare adecvate lucrului în aer liber diminuează riscul de electrocutare.
- ▶ **Dacă punerea în exploatare a sculei electrice într-un mediu cu umiditate nu se poate evita, utilizați un întrerupător automat de protecție diferențial.** Utilizarea unui întrerupător automat de protecție diferențial diminuează riscul de electrocutare.



Securitatea persoanelor

- ▶ **Procedați cu atenție, concentrați-vă la ceea ce faceți și lucrați în mod rațional atunci când manetrați o sculă electrică. Nu folosiți nicio sculă electrică dacă sunteți obosit sau dacă vă aflați sub influența drogurilor, alcoolului sau medicamentelor.** Un moment de neatenție în folosirea sculei electrice poate duce la accidentări serioase.
- ▶ **Purtați echipament personal de protecție și, întotdeauna, ochelari de protecție.** Folosirea echipamentelor personale de protecție, ca de ex. masca anti-praf, încălțăminte antiderapantă, casca de protecție sau căștile antifonice, în funcție de tipul sculei electrice și de natura aplicației de lucru, duce la diminuarea riscului de accidentare.
- ▶ **Împiedicați pornirea involuntară a aparatului. Asigurați-vă că scula electrică este deconectată, înainte de a o racorda la alimentarea electrică și/ sau la acumulator, de a o lua din locul de lucru sau de a o transporta.** Situațiile în care transportați scula electrică ținând degetul pe întrerupător sau racordați aparatul în stare pornită la alimentarea electrică pot duce la accidente.
- ▶ **Înainte de a porni scula electrică, îndepărtați uneltele de reglaj sau cheile fixe.** Un accesoriu de lucru sau o cheie fixă, aflate într-o componentă rotativă a aparatului, pot provoca vătămări corporale.
- ▶ **Evitați o poziție anormală a corpului. Asigurați-vă o poziție stabilă și păstrați-vă întotdeauna echilibrul.** În acest fel, veți putea controla mai bine scula electrică în situații neașteptate.
- ▶ **Purtați îmbrăcăminte de lucru adecvată. Nu purtați haine largi sau bijuterii. Țineți părul, îmbrăcăminte și mănușile departe de componentele aflate în mișcare.** Îmbrăcăminte largă, bijuteriile sau părul lung pot fi prinse de piesele aflate în mișcare.
- ▶ **Dacă există posibilitatea montării unor accesorii de aspirare și captare a prafului, asigurați-vă că acestea sunt racordate și folosite corect.** Utilizarea unui sistem de aspirare a prafului poate diminua pericolul provocat de praf.
- ▶ **Nu vă bazați pe măsuri de securitate greșite și nu vă dispensați de reglementările de securitate pentru sculele electrice, chiar dacă sunteți familiarizat cu scula electrică după multiple folosiri ale acesteia.** Lucrul neatent poate duce în fracțiuni de secundă la accidentări grave.

Utilizarea și manevrarea sculei electrice

- ▶ **Nu suprasolicitați aparatul. Folosiți scula electrică special destinată lucrării dumneavoastră.** Cu scula electrică adecvată, lucrați mai bine și mai sigur în domeniul de putere specificat.
- ▶ **Nu folosiți nicio sculă electrică având întrerupătorul defect.** O sculă electrică ce nu mai permite pornirea sau oprirea sa este periculoasă și trebuie reparată.
- ▶ **Scoateți fișa din priză și/ sau înlăturați acumulatorul dacă este detașabil, înainte de executarea unor reglaje la aparat, înlocuirea accesoriiilor sau depozitarea aparatului.** Această măsură de precauție reduce riscul unei porniri involuntare a sculei electrice.
- ▶ **Păstrați sculele electrice în locuri inaccesibile copiilor, atunci când nu le utilizați. Nu permiteți folosirea aparatului de către persoane care nu sunt familiarizate cu acesta sau care nu au citit instrucțiunile de față.** Sculele electrice sunt periculoase atunci când sunt folosite de persoane fără experiență.
- ▶ **Îngrijiți sculele electrice și accesoriiile cu multă atenție. Controlați funcționarea impecabilă a componentelor mobile și verificați dacă acestea nu se blochează, dacă există piese sparte sau care prezintă deteriorări de natură să influențeze negativ funcționarea sculei electrice. Dispuneți repararea pieselor deteriorate înainte de punerea în exploatare a aparatului.** Multe accidente se produc din cauza întreținerii defectuoase a sculelor electrice.
- ▶ **Păstrați accesoriiile așchietoare bine ascuțite și curate.** Accesoriiile așchietoare întreținute atent, cu muchii așchietoare bine ascuțite se blochează mai greu și pot fi conduse mai ușor.
- ▶ **Utilizați scula electrică, accesoriiile, dispozitivele de lucru etc. corespunzător acestor instrucțiuni. Țineți seama de condițiile de lucru și de activitatea care urmează a fi desfășurată.** Folosirea unor scule electrice destinate altor aplicații de lucru decât cele prevăzute poate conduce la situații periculoase.
- ▶ **Mențineți mânerul și suprafețele mânerelor în stare uscată, curată, fără ulei și unsoare.** Mânerul și suprafețele mânerelor nu permit utilizarea și controlul sculei electrice în siguranță în situații neprevăzute, dacă sunt alunecoase.

Service

- ▶ **Încredințați repararea sculei electrice a dumneavoastră numai personalului calificat de specialitate și numai în condițiile folosirii pieselor de schimb originale.** În acest fel, este garantată menținerea siguranței de exploatare a sculei electrice.

2.2 Instrucțiuni de protecție a muncii pentru ciocan

Instrucțiuni de protecție a muncii pentru toate lucrările

- ▶ **Purtați căști antifonice.** Efectele zgomotului pot conduce la pierderea auzului.



- ▶ **Folosiți mânerele suplimentare livrate cu mașina.** Pierderea controlului poate duce la accidente.
- ▶ **Țineți mașina de suprafețele izolate ale mânerelor, dacă executați lucrări în care dispozitivul de lucru poate întâlni conductori electrici ascunși sau propriul cablu de rețea.** Contactul cu un conductor parcurs de curent poate pune sub tensiune și piesele metalice ale mașinii și poate duce la electrocutări.

Instrucțiuni de protecție a muncii în cazul utilizării unui burghiu lung

- ▶ **Începeți întotdeauna procesul de găurire cu turație scăzută și cât timp burghiul are contact cu piesa care se prelucrează.** În cazul turațiilor mai ridicate, burghiul se poate îndoi ușor dacă este posibilă rotirea liberă a lui fără contact cu piesa care se prelucrează și apare posibilitatea de producere a unor accidente.
- ▶ **Nu exercitați o presiune excesivă și apăsați numai pe direcție longitudinală pe burghiu.** Burghiile se pot îndoi și, ca urmare, se pot rupe sau apare posibilitatea de pierdere a controlului și de producere a unor accidente.

2.3 Instrucțiuni suplimentare de protecție a muncii

Securitatea persoanelor

- ▶ Folosiți produsul numai în stare tehnică impecabilă.
- ▶ Nu efectuați niciodată intervenții neautorizate sau modificări la mașină.
- ▶ La execuția lucrărilor de străpungere, asigurați zona de pe partea opusă lucrării. Fragmentele demolate pot ieși și / sau cădea și pot vătăma alte persoane.
- ▶ Țineți întotdeauna ferm mașina cu ambele mâini de mânerele special prevăzute. Țineți mânerile uscate și curate.
- ▶ Prindeți întotdeauna mânerul lateral pe exterior. La găurire și înșurubare mașina poate devia în lateral.
- ▶ Evitați atingerea pieselor în rotație - pericol de accidente!
- ▶ Pe parcursul utilizării aparatului, purtați ochelari de protecție, cască de protecție, căști antifonice, mănuși de protecție și o mască ușoară de protecție respiratorie adecvate.
- ▶ Purtați mănuși de protecție și la schimbarea accesoriilor de lucru. Atingerea dispozitivului de lucru poate duce la vătămări prin tăiere și arsuri.
- ▶ Utilizați o apărătoare pentru ochi. Materialul sub formă de așchii poate produce vătămări ale corpului și ochilor.
- ▶ Înainte de începerea lucrului stabiliți clasa de pericolozitate a materialului pulverulent care se formează în timpul lucrărilor. Utilizați un aspirator de praf industrial cu clasificare a clasei de protecție avizată oficial, care corespunde dispozițiilor locale cu privire la protecția împotriva prafului.
- ▶ Utilizați pe cât posibil un sistem de aspirare a prafului și un aparat mobil pentru desprăfuire adecvat. Pulberea materialelor cum ar fi vopselele care conțin plumb, unele tipuri de lemn, betonul / zidăria / piatra care conține cuarț și minerale, precum și metale pot dăuna sănătății.
- ▶ Asigurați o aerisire bună a locului de muncă și purtați, dacă este cazul, o mască de protecție a respirației, adecvată pentru praful respectiv. Atingerea sau inhalarea pulberii poate provoca reacții alergice și/ sau afecțiuni ale căilor respiratorii ale utilizatorului sau ale persoanelor aflate în apropiere. Anumite categorii de pulbere cum ar fi praful din lemn de stejar sau de fag sunt considerate drept cancerigene, în special în combinație cu substanțele suplimentare pentru tratarea lemnului (cromați, substanțe de protecție a lemnului). Manevrarea materialului care conține azbest este permisă numai persoanelor cu pregătire de specialitate.
- ▶ Faceți pauze de lucru și exerciții pentru îmbunătățirea circulației sanguine în degetele dumneavoastră. În cazul lucrărilor lungi, din cauza vibrațiilor sunt posibile tulburări la nivelul vaselor sanguine sau al sistemului nervos în degete, mâini sau articulațiile mâinilor.

Securitatea electrică

- ▶ Verificați înainte de începerea lucrului dacă în zona de lucru există conductori electrici, conducte de gaz și țevi de apă acoperite. Piesele metalice de pe exteriorul mașinii pot cauza o electrocutare dacă deteriorați accidental un conductor electric.

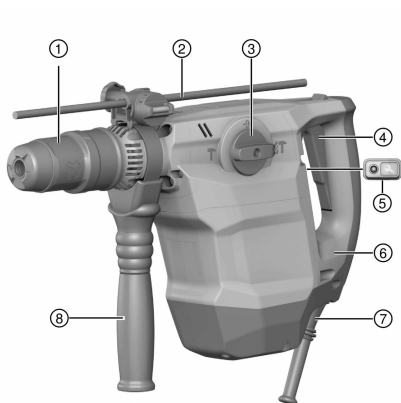
Manevrarea și folosirea cu precauție a sculelor electrice

- ▶ Deconectați scula electrică imediat ce accesoriul de lucru s-a blocat. Mașina poate devia în lateral.
- ▶ Așteptați până când scula electrică a ajuns în stare de repaus, înainte de a o depune.



3 Descriere

3.1 Vedere generală a produsului 1



- ① Mandrina
- ② Limitator de adâncime
- ③ Selector de funcții
- ④ Comutator de comandă
- ⑤ Indicator de Service
- ⑥ Cablu de rețea
- ⑦ Mâner lateral

3.2 Varianta cu cablu detașabil 2

- ① Tastă de blocare
- ② Racordul la mașina electrică
- ③ Cablu de rețea cu conector codat și cu posibilitate de desfacere

3.3 Utilizarea conformă cu destinația

Produsul descris este o mașină de perforat multifuncțională acționată electric, cu mecanism de percute pneumatic. El este destinat lucrărilor de găurire în beton, zidărie, lemn și metal. Suplimentar, produsul poate fi utilizat pentru lucrări ușoare până la dificultate medie de dăltuire în zidărie și lucrări de finisare în beton.

- Punerea în exploatare este permisă numai la tensiunea și frecvența rețelei, indicate pe plăcuța de identificare.

3.4 Posibilă folosire greșită

- Acest produs nu este adecvat pentru prelucrarea materialelor de lucru nocive pentru sănătate.
- Acest produs nu este adecvat pentru lucrări într-un mediu umed.

3.5 Active Vibration Reduction

Produsul este echipat cu un sistem Active Vibration Reduction (AVR) care reduce sesizabil vibrațiile.

3.6 Mandrină cu strângere rapidă (accesoriu)

Mandrina cu strângere rapidă permite o schimbare rapidă a accesoriilor de lucru fără unelte suplimentare. Ea este adecvată pentru accesorii de lucru cu tijă cilindrică sau hexagon, care se exploatează pe modul "Fără percute ".

3.7 Indicator de Service

Produsul este dotat cu un indicator de service cu semnal luminos.

Starea	Semnificație
Indicatorul de Service se aprinde	S-a atins valoarea timpului de funcționare pentru o lucrare de servisare.
Indicatorul de Service se aprinde intermitent	Deteriorări la produs. Dispuneți mașinii de perforat multifuncționale de către centrul de service Hilti .



3.8 Setul de livrare

Mașină de perforat multifuncțională, mâner lateral, manual de utilizare.

Alte produse din sistem, avizate pentru produsul dumneavoastră, găsiți la centrul dumneavoastră **Hilti Store** sau la: www.hilti.group

4 Date tehnice

4.1 Mașină de perforat multifuncțională

Tensiunea nominală, curentul nominal, frecvența și/ sau puterea nominală consumată sunt prezentate pe plăcuța de identificare specifică țării.

La punerea în exploatare cu un generator sau transformator, puterea debitată a acestora trebuie să fie cel puțin dublă față de puterea nominală consumată indicată pe plăcuța de identificare a aparatului. Tensiunea de lucru a transformatorului sau a generatorului trebuie să fie situată în orice moment într-un interval de +5 % până la -15 % din tensiunea nominală a aparatului.

	TE 50-AVR
Greutate, conform EPTA-Procedure 01	6,1 kg
Temperatura de depozitare	-20 °C ... 70 °C
Temperatura ambiantă în timpul funcționării	-17 °C ... 60 °C
Ø burghiu percutor	12 mm ... 32 mm
Ø burghiu pentru lemn	6 mm ... 35 mm
Ø burghiu pentru metal	6 mm ... 13 mm

4.2 Datele privind zgomotul și valorile vibrațiilor conform EN 62841

Valorile presiunii acustice și ale vibrațiilor indicate în aceste instrucțiuni au fost măsurate corespunzător unui procedeu standardizat de măsură și pot fi utilizate pentru compararea reciprocă a sculelor electrice. Ele sunt adecvate și pentru o apreciere provizorie a valorilor de expunere.

Datele indicate se referă la aplicațiile principale de lucru ale sculei electrice. Firește că, dacă scula electrică este utilizată pentru alte aplicații de lucru cu dispozitive de lucru neprevăzute sau cu o întreținere insuficientă, datele pot să difere. Acest lucru poate ridica în mod considerabil valorile de expunere pe întreaga durată de lucru.

Pentru o apreciere exactă a valorilor de expunere, trebuie să se ia în calcul și timpii în care scula electrică este deconectată sau în care ea funcționează, dar nu execută efectiv nicio activitate. Acest lucru poate reduce în mod considerabil valorile de expunere pe întreaga durată de lucru.

Stabiliți măsuri de securitate suplimentare pentru protecția operatorului față de efectele sonore și ale vibrațiilor, ca de exemplu: întreținerea sculei electrice și a dispozitivelor de lucru, menținerea mâinilor în stare caldă, organizarea proceselor de lucru.

Valorile emisiei de zgomot

	TE 50-AVR
Nivelul puterii acustice (L_{WA})	108 dB(A)
Insecuritatea pentru nivelul puterii acustice (K_{WA})	3 dB(A)
Nivel presiunii acustice (L_{pA})	97 dB(A)
Insecuritatea pentru nivelul presiunii acustice (K_{pA})	3 dB(A)

Valori totale ale vibrațiilor

	TE 50-AVR
Găurire în metal ($a_{h,D}$)	< 5 m/s ²
Găurire cu percuție în beton ($a_{h,HD}$)	8,8 m/s ²
Dăltuire ($a_{h,Chqq}$)	7,1 m/s ²
Insecuritatea pentru valoarea menționată referitoare la vibrații (K)	1,5 m/s ²



5 Modul de utilizare

5.1 Pregătirea lucrului

AVERTISMENT

Pericol de accidentare! Pornire involuntară a produsului.

- ▶ Trageți fișa de rețea din priză, înainte de executarea unor reglaje la mașină sau de a schimba accesorii.

Aveți în vedere indicațiile de securitate și de avertizare din această documentație și de pe produs.

5.1.1 Montarea mânerului lateral

1. Rotiți de mâner, pentru a desface suportul de susținere (banda de întindere) de la mânerul lateral.
2. Introduceți prin glisare suportul de susținere (banda de întindere) din față peste mandrină, până la canelura prevăzută special.
3. Poziționați mânerul lateral în poziția dorită.
4. Rotiți de mâner, pentru a tensiona suportul de susținere (banda de întindere) de la mânerul lateral.

5.1.2 Montarea limitatorului de adâncime (opțional)

1. Rotiți de mâner, pentru a desface suportul de susținere (banda de întindere) de la mânerul lateral.
2. Introduceți prin glisare limitatorul de adâncime din față în cele două 2 orificii de ghidaj prevăzute special.
3. Rotiți de mâner, pentru a tensiona suportul de susținere (banda de întindere) de la mânerul lateral.
 - ▶ Limitatorul de adâncime este montat. Pentru reglarea de adâncime de găurire:
4. Deschideți șurubul de la limitatorul de adâncime.
5. Reglați limitatorul de adâncime la adâncimea de găurire dorită.
6. Închideți șurubul de la limitatorul de adâncime.

5.1.3 Introducerea/extragerea dispozitivului de lucru

AVERTISMENT

Pericol de accidentare cu dispozitivul de lucru! Dispozitivul de lucru poate fi fierbinte sau ascuțit.

- ▶ Purtați mănuși de protecție la schimbarea dispozitivului de lucru.

1. Gresați cu puțină unsoare coada de fixare a dispozitivului de lucru.
2. Introduceți dispozitivul de lucru până la opritor în mandrină și lăsați-l să se cupleze.
 - ▶ Produsul este pregătit de funcționare.
3. Trageți înapoi închizătorul mandrinei până la opritor și extrageți dispozitivul de lucru.



Utilizați numai unsoare originală de la **Hilti**. Utilizarea unei unsoari inadecvate poate cauza deteriorări la produs.

5.2 Lucrări


AVERTISMENT

Pericol de deteriorare Prin manevrare greșită!

- ▶ Nu acționați comutatorul pentru sensul de rotație și/ sau selecția unei funcții pe parcursul funcționării.

Aveți în vedere indicațiile de securitate și de avertizare din această documentație și de pe produs.

5.2.1 Găurire cu percuție (perforare cu ciocanul)

1. Fixați selectorul de funcții pe poziția "Găurire cu percuție" .
2. Așezați burghiul pe materialul de bază.
3. Apăsăți comutatorul de comandă.
 - ▶ Produsul pornește.



5.3 Poziționare daltă

AVERTISMENT

Pericol de accidentare! Pierderea controlului asupra direcției de dăltuire.

- ▶ Nu lucrați în poziția "Poziționare daltă". Fixați selectorul de funcții pe poziția "Dăltuire", până când se fixează.



Delta poate fi așezată în 24 poziții diverse (în pași de 15°). Astfel, cu dălțile plate și profilate se poate lucra întotdeauna în poziția de lucru optimă.

1. Fixați selectorul de funcții pe poziția "Poziționare daltă" .
2. Rotiți delta în poziția dorită.
3. Fixați selectorul de funcții pe poziția "Dăltuire" , până când se fixează.
 - ▶ Produsul este pregătit de funcționare.

5.3.1 Dăltuire

- ▶ Fixați selectorul de funcții pe poziția "Dăltuire" .

5.3.2 Activarea/dezactivarea funcționării în regim continuu



În regimul de dăltuire puteți imobiliza comutatorul de pornire/ oprire în starea conectată.

1. Glisați spre față butonul de fixare pentru funcționare în regim continuu.
2. Apăsăți complet comutatorul de pornire/ oprire.
 - ▶ Produsul funcționează acum în regim continuu.
3. Glisați spre spate butonul de fixare pentru funcționare în regim continuu.
 - ▶ Produsul se deconectează.

6 Cablu detașabil

6.1 Racordarea cablului de rețea cu conector

AVERTISMENT

Pericol de accidentare prin curenții de conturare când contactele sunt murdărite.

- ▶ Conectați conectorul electric detașabil cu mașina electrică numai dacă este în stare curată, uscată și lipsită de tensiune.
1. Introduceți conectorul electric codat detașabil până la opritor în aparat, până când opritorul se înclinetează cu zgomotul caracteristic.
 2. Introduceți fișa de rețea în priză.

6.2 Detașarea cablului de rețea cu conector de la mașina electrică

1. Scoateți fișa de rețea din priză.
2. Apăsăți butonul de blocare și trageți afară conectorul electric codat detașabil.
3. Trageți cablul de rețea afară din mașină.

7 Îngrijirea și întreținerea

ATENȚIONARE

Pericol de electrocutare! Îngrijirea și întreținerea cu fișa de rețea introdusă pot produce accidentări grave și arsuri.

- ▶ Înaintea tuturor activităților de îngrijire și lucrărilor de întreținere, scoateți întotdeauna fișa de rețea!

Îngrijirea

- Îndepărtați cu precauție murdăria aderentă.



- Curățați fantele de aerisire cu multă atenție, folosind o perie uscată.
- carcasa numai cu o cârpă ușor umezită. Nu utilizați produse de îngrijire care conțin silicon, deoarece acestea pot ataca piesele din plastic.

Întreținerea



ATENȚIONARE

Pericol de electrocutare! Reparațiile executate impropriu la componentele electrice pot duce la accidentări grave și la arsuri.

- ▶ Efectuarea de reparații la părțile electrice este permisă numai electricienilor autorizați.
- Verificați regulat la toate piesele vizibile dacă există deteriorări și funcționare impecabilă a elementelor de comandă.
- În caz de deteriorări și/ sau disfuncționalități, nu puneți produsul în exploatare. Dispuneți imediat repararea la centrul de service **Hilti**.
- După lucrările de îngrijire și întreținere atașați toate dispozitivele de protecție și verificați funcționarea.



Pentru o exploatare sigură utilizați numai piese de schimb și materiale consumabile originale. Piese de schimb, materiale consumabile și accesorii avizate de noi pentru produs găsiți la centrul dumneavoastră **Hilti Store** sau la: www.hilti.group.

8 Transportul și depozitarea

- Nu transportați aparatul electric cu accesoriul de lucru introdus.
- Depozitați întotdeauna aparatul electric cu fișa de rețea scoasă.
- Depozitați aparatul în spații uscate și inaccesibile pentru copii și persoane neautorizate.
- După un transport sau o depozitare mai îndelungată, controlați înainte de folosire dacă aparatul electric prezintă deteriorări.

9 Asistență în caz de avarii

În cazul avariilor care nu sunt prezentate în acest tabel sau pe care nu le puteți remedia prin mijloace proprii, vă rugăm să vă adresați centrul nostru de service **Hilti**.

9.1 Asistență în caz de avarii

Avarie	Cauza posibilă	Soluție
Mașina nu pornește.	Alimentarea electrică de la rețea întreruptă	▶ Introduceți o altă mașină electrică și verificați funcționarea.
	Sistemul electronic de blocare a pornirii este activat după o întrerupere a alimentării electrice.	▶ Deconectați mașina și conectați-o din nou.
Lipsa percuției.	Mașina este prea rece.	▶ Așezați mașina de perforat rotopercutantă pe materialul de bază și lăsați-o să ruleze în regim de mers în gol. Dacă este necesar repetați, până când mecanismul de percuție funcționează.
Mașina de perforat multifuncțională nu debitează puterea maximă.	Cablul prelungitor are secțiunea prea scăzută.	▶ Utilizați un cablu prelungitor cu secțiune suficientă.
	Tensiunea de alimentare electrică este prea scăzută.	▶ Racordați mașina de perforat multifuncțională la o altă alimentare electrică.
Burghiul nu se rotește.	Selectorul de funcții nu este fixat în poziție sau este în poziția "Dălțuire" T sau "Poziționare daltă" \rightarrow .	▶ Fixați selectorul de funcții pe poziția "Găurire cu percuție" T .
Burghiul nu se poate desprinde din închizător.	Mandrina nu este retractată complet.	▶ Trageți înapoi închizătorul mandrinei până la opritor și extrageți accesoriul de lucru.



Avarie	Cauza posibilă	Soluție
Burghiul nu se poate desprinde din închizător.	Mânerul lateral nu este montat corect.	► Desfaceți mânerul lateral și montați-l corect, astfel încât banda de întindere și mânerul lateral să fie înclichetate în adâncitură.
Indicatorul de service se aprinde după schimbarea periiilor de cărbune.	Contactele nu sunt încă tocite.	► Lăsați periele de cărbune să se rodeze în regim de mers în gol cel puțin 1 minute neîntrerupt.

10 Dezafectarea și evacuarea ca deșeuri

Mașinile **Hilti** sunt fabricate într-o proporție mare din materiale reutilizabile. Condiția necesară pentru reciclare este separarea corectă a materialelor. În multe țări, **Hilti** preia mașinile dumneavoastră vechi pentru revalorificare. Solicitați relații la centrul pentru clienți **Hilti** sau la consilierul dumneavoastră de vânzări.



- Nu aruncați sculele electrice, aparatele electronice și acumulatorii în containerele de gunoi menajer!

11 RoHS (directiva privind limitarea utilizării substanțelor periculoase)

Sub link-ul următor găsiți tabelul substanțelor periculoase: qr.hilti.com/r4902202.

Un link referitor la tabelul RoHS găsiți la finalul acestei documentații sub formă de cod QR.

12 Garanția producătorului

- Pentru relații suplimentare referitoare la condițiile de garanție legală, vă rugăm să vă adresați partenerului dumneavoastră local **Hilti**.

Μετάφραση οδηγιών χρήσης από το πρωτότυπο

1 Στοιχεία για τις οδηγίες χρήσης

1.1 Σχετικά με τις παρούσες οδηγίες χρήσης

- Πριν από την πρώτη θέση σε λειτουργία διαβάστε αυτές τις οδηγίες χρήσης. Αποτελεί προϋπόθεση για ασφαλή εργασία και απρόσκοπτο χειρισμό.
- Προσέξτε τις υποδείξεις ασφαλείας και προειδοποίησης στις παρούσες οδηγίες χρήσης και στο προϊόν.
- Φυλάξτε τις οδηγίες χρήσης πάντα στο προϊόν και δίνετε το προϊόν σε άλλα πρόσωπα μόνο μαζί με αυτές τις οδηγίες.

1.2 Επεξήγηση συμβόλων

1.2.1 Υποδείξεις προειδοποίησης

Οι υποδείξεις προειδοποίησης προειδοποιούν από κινδύνους κατά την εργασία με το προϊόν. Χρησιμοποιούνται οι ακόλουθες λέξεις επισήμανσης:



ΚΙΝΔΥΝΟΣ

ΚΙΝΔΥΝΟΣ !

- Για μια άμεσα επικίνδυνη κατάσταση, που οδηγεί σε σοβαρό ή θανατηφόρο τραυματισμό.



ΠΡΟΕΙΔΟΠΟΙΗΣΗ

ΠΡΟΕΙΔΟΠΟΙΗΣΗ !

- Για μια πιθανά επικίνδυνη κατάσταση, που μπορεί να οδηγήσει σε σοβαρό ή θανατηφόρο τραυματισμό.



ΠΡΟΣΟΧΗ !

► Για μια πιθανόν επικίνδυνη κατάσταση, που ενδέχεται να οδηγήσει σε τραυματισμούς ή υλικές ζημιές.

1.2.2 Σύμβολα στις οδηγίες χρήσης

Στις παρούσες οδηγίες χρήσης χρησιμοποιούνται τα ακόλουθα σύμβολα:

	Προσέξτε τις οδηγίες χρήσης
	Υποδείξεις χρήσης και άλλες χρήσιμες πληροφορίες
	Χειρισμός ανακυκλώσιμων υλικών
	Μην πετάτε τα ηλεκτρικά εργαλεία και τις μπαταρίες στον κάδο οικιακών απορριμμάτων

1.2.3 Σύμβολα σε εικόνες

Στις εικόνες χρησιμοποιούνται τα ακόλουθα σύμβολα:

	Αυτοί οι αριθμοί παραπέμπουν στην εκάστοτε εικόνα στην αρχή αυτών των οδηγιών χρήσης.
3	Η αρίθμηση στις εικόνες παραπέμπει σε σημαντικά βήματα εργασίας ή σε εξαρτήματα σημαντικά για τα βήματα εργασίας. Στο κείμενο επισημαίνονται αυτά τα βήματα εργασίας ή τα εξαρτήματα με αντίστοιχους αριθμούς, π.χ. (3) .
	Οι αριθμοί θέσης χρησιμοποιούνται στην εικόνα Επισκόπηση και παραπέμπουν στους αριθμούς του υπομνήματος στην ενότητα Συνοπτική παρουσίαση προϊόντος .
	Αυτό το σύμβολο έχει σκοπό να επιστήσει ιδιαίτερα την προσοχή σας κατά την εργασία με το προϊόν.

1.3 Σύμβολα ανάλογα με το προϊόν
1.3.1 Σύμβολα στο προϊόν

Στο προϊόν χρησιμοποιούνται τα ακόλουθα σύμβολα:

	Διάτρηση με κρούση (κρουστική διάτρηση)
	Σμίλευση
	Ρύθμιση θέσης καλεμιού
	Κατηγορία προστασίας II (διπλής μόνωσης)
/min	Στροφές ανά λεπτό
n_0	Ονομαστικός αριθμός στροφών χωρίς φορτίο
\emptyset	Διάμετρος
	Ασύρματη μεταφορά δεδομένων

1.4 Πληροφορίες προϊόντος

Τα προϊόντα της προορίζονται για τον επαγγελματία χρήστη και ο χειρισμός, η συντήρηση και η επισκευή τους επιτρέπεται μόνο από εξουσιοδοτημένο, ενημερωμένο προσωπικό. Το προσωπικό αυτό πρέπει να έχει ενημερωθεί ειδικά για τους κινδύνους που ενδέχεται να παρουσιαστούν. Από το προϊόν και τα βοηθητικά του μέσα ενδέχεται να προκληθούν κίνδυνοι, όταν ο χειρισμός τους γίνεται με ακατάλληλο τρόπο από μη εκπαιδευμένο προσωπικό ή όταν δεν χρησιμοποιούνται με κατάλληλο τρόπο.

Η περιγραφή τύπου και ο αριθμός σειράς αναγράφονται στην πινακίδα τύπου.



- ▶ Αντιγράψτε τον αριθμό σειράς στον ακόλουθο πίνακα. Θα χρειαστείτε τα στοιχεία προϊόντος για ερωτήματα προς την αντιπροσωπεία μας ή το σέρβις μας.

Στοιχεία προϊόντος

Πιστολέτο	TE 50-AVR
Γενιά	03
Αρ. σειράς	

1.5 Δήλωση συμμόρφωσης

Δηλώνουμε ως μόνοι υπεύθυνοι, ότι το προϊόν που περιγράφεται εδώ συμφώνει με τις ισχύουσες οδηγίες και τα ισχύοντα πρότυπα. Ένα αντίγραφο της δήλωσης συμμόρφωσης υπάρχει στο τέλος αυτής της τεκμηρίωσης. Τα έγγραφα τεχνικής τεκμηρίωσης υπάρχουν εδώ:

Hilti Entwicklungsgesellschaft mbH | Zulassung Geräte | Hiltistraße 6 | 86916 Kaufering, DE

2 Ασφάλεια

2.1 Γενικές υποδείξεις για την ασφάλεια για ηλεκτρικά εργαλεία

⚠ ΠΡΟΕΙΔΟΠΟΙΗΣΗ Διαβάστε όλες τις υποδείξεις ασφαλείας, τις οδηγίες, τις εικόνες και τα τεχνικά χαρακτηριστικά τα οποία υπάρχουν σε αυτό το ηλεκτρικό εργαλείο. Η παράβλεψη των ακόλουθων οδηγιών μπορεί να προκαλέσει ηλεκτροπληξία, πυρκαγιά και/ή σοβαρούς τραυματισμούς.

Φυλάξτε όλες τις υποδείξεις για την ασφάλεια και τις οδηγίες για μελλοντική χρήση.

Ο όρος "ηλεκτρικό εργαλείο" που χρησιμοποιείται στις υποδείξεις για την ασφάλεια αναφέρεται σε ηλεκτρικά εργαλεία που λειτουργούν συνδεδεμένα τα στο ηλεκτρικό δίκτυο (με καλώδιο τροφοδοσίας) και σε ηλεκτρικά εργαλεία που λειτουργούν με επαναφορτιζόμενες μπαταρίες (χωρίς καλώδιο τροφοδοσίας).

Ασφάλεια χώρου εργασίας

- ▶ Διατηρείτε το χώρο εργασίας σας καθαρό και με καλό φωτισμό. Η αταξία στο χώρο εργασίας και οι μη φωτισμένες περιοχές μπορεί να οδηγήσουν σε ατυχήματα.
- ▶ Μην εργάζεστε με το ηλεκτρικό εργαλείο σε περιβάλλον επικίνδυνο για εκρήξεις, στο οποίο υπάρχουν εύφλεκτα υγρά, αέρια ή σκόνη. Από τα ηλεκτρικά εργαλεία δημιουργούνται σπινθήρες, οι οποίοι μπορεί να αναφλέξουν τη σκόνη ή τις αναθυμιάσεις.
- ▶ Κατά τη χρήση του ηλεκτρικού εργαλείου κρατάτε μακριά τα παιδιά και άλλα πρόσωπα. Εάν σας αποσπάσουν την προσοχή, μπορεί να χάσετε τον έλεγχο του εργαλείου.

Ηλεκτρική ασφάλεια

- ▶ Το φως σύνδεσης του ηλεκτρικού εργαλείου πρέπει να ταιριάζει στην πρίζα. Δεν επιτρέπεται σε καμία περίπτωση η μετατροπή του φως. Μην χρησιμοποιείτε αντάπτορες φως μαζί με γειωμένα ηλεκτρικά εργαλεία. Τα φως που δεν έχουν υποστεί μετατροπές και οι κατάλληλες πρίζες μειώνουν τον κίνδυνο ηλεκτροπληξίας.
- ▶ Αποφεύγετε την επαφή του σώματος με γειωμένες επιφάνειες, όπως σωλήνες, καλοριφέρ, ηλεκτρικές κουζίνες και ψυγεία. Υπάρχει αυξημένος κίνδυνος ηλεκτροπληξίας, όταν το σώμα σας είναι γειωμένο.
- ▶ Μην εκθέτετε τα ηλεκτρικά εργαλεία σε βροχή ή σε υγρασία. Η εισχώρηση νερού στο ηλεκτρικό εργαλείο αυξάνει τον κίνδυνο ηλεκτροπληξίας.
- ▶ Μην χρησιμοποιείτε το καλώδιο σύνδεσης για να μεταφέρετε ή να αναρτήσετε το ηλεκτρικό εργαλείο ή για να τραβήξετε το φως από την πρίζα. Κρατάτε το καλώδιο σύνδεσης μακριά από υψηλές θερμοκρασίες, λάδια, αιχμηρές ακμές ή κινούμενα μέρη. Τα ελαττωματικά ή τα περιστραμμένα καλώδια σύνδεσης αυξάνουν τον κίνδυνο ηλεκτροπληξίας.
- ▶ Όταν εργάζεστε με το ηλεκτρικό εργαλείο σε υπαίθριους χώρους, χρησιμοποιείτε μόνο καλώδια προέκτασης (μπαλαντζές), που είναι κατάλληλα για χρήση σε εξωτερικούς χώρους. Η χρήση ενός καλωδίου προέκτασης κατάλληλου για χρήση σε υπαίθριους χώρους μειώνει τον κίνδυνο ηλεκτροπληξίας.
- ▶ Εάν δεν μπορεί να αποφευχθεί η λειτουργία του ηλεκτρικού εργαλείου σε περιβάλλον με υγρασία, χρησιμοποιήστε αυτόματο ρελέ. Η χρήση ενός αυτόματου ρελέ μειώνει τον κίνδυνο ηλεκτροπληξίας.

Ασφάλεια προσώπων

- ▶ Να είσαστε πάντα προσεκτικοί, να προσέχετε τι κάνετε και να εργάζεστε με το ηλεκτρικό εργαλείο με περίσκεψη. Μην χρησιμοποιείτε ηλεκτρικά εργαλεία, όταν είστε κουρασμένοι ή όταν βρίσκεστε υπό την επήρεια ναρκωτικών ουσιών, οινοπνεύματος ή φαρμάκων. Μία στιγμή απροσεξίας κατά τη χρήση του ηλεκτρικού εργαλείου μπορεί να οδηγήσει σε σοβαρούς τραυματισμούς.
- ▶ Φοράτε προσωπικό εξοπλισμό προστασίας και πάντα προστατευτικά γυαλιά. Φορώντας προσωπικό εξοπλισμό προστασίας, όπως μάσκα προστασίας από τη σκόνη, αντιολισθητικά υποδήματα ασφαλείας,



προστατευτικό κράνος ή ωτοασπίδες, ανάλογα με το είδος και τη χρήση του ηλεκτρικού εργαλείου, μειώνεται ο κίνδυνος τραυματισμών.

- ▶ **Αποφύγετε την ακούσια θέση σε λειτουργία του εργαλείου. Βεβαιωθείτε ότι είναι απενεργοποιημένο το ηλεκτρικό εργαλείο, πριν το συνδέσετε στην παροχή ρεύματος και/ή πριν τοποθετήσετε την μπαταρία και πριν το μεταφέρετε.** Εάν μεταφέροντας το ηλεκτρικό εργαλείο έχετε το δάκτυλό σας στον διακόπτη ή συνδέσετε το εργαλείο στο ρεύμα ενώ ο διακόπτης είναι στο ΟΝ, μπορεί να προκληθούν ατυχήματα.
- ▶ **Απομακρύνετε τα εργαλεία ρύθμισης ή τα κλειδιά από το ηλεκτρικό εργαλείο, πριν το θέσετε σε λειτουργία.** Ένα εργαλείο ή κλειδί που βρίσκεται σε κάποιο περιστρεφόμενο εξάρτημα του ηλεκτρικού εργαλείου, μπορεί να προκαλέσει τραυματισμούς.
- ▶ **Αποφύγετε τις αφύσικες στάσεις του σώματος. Φροντίστε για την ασφαλή στήριξη του σώματός σας και διατηρείτε πάντα την ισορροπία σας.** Έτσι μπορείτε να ελέγχετε καλύτερα το ηλεκτρικό εργαλείο σε μη αναμενόμενες καταστάσεις.
- ▶ **Φοράτε κατάλληλα ρούχα. Μη φοράτε φαρδιά ρούχα ή κοσμήματα. Κρατάτε τα μαλλιά, τα ρούχα και τα γάντια μακριά από περιστρεφόμενα εξαρτήματα.** Τα φαρδιά ρούχα, τα κοσμήματα ή τα μακριά μαλλιά μπορεί να παγιδευτούν από περιστρεφόμενα εξαρτήματα.
- ▶ **Εάν υπάρχει η δυνατότητα σύνδεσης συστημάτων αναρρόφησης και συλλογής σκόνης, βεβαιωθείτε ότι είναι συνδεδεμένα και ότι χρησιμοποιούνται σωστά.** Η χρήση συστήματος αναρρόφησης σκόνης μπορεί να μειώσει τους κινδύνους που προέρχονται από τη σκόνη.
- ▶ **Μην εκτιμάτε λάθος την ασφάλεια και μην παραβλέπετε τους κανόνες ασφαλείας για ηλεκτρικά εργαλεία, ακόμη και όταν, μετά από πολλές χρήσεις, έχετε εξοικειωθεί με το ηλεκτρικό εργαλείο.** Από απρόσπεκτες ενέργειες μπορούν να προκληθούν σοβαροί τραυματισμοί εντός κλάσματος δευτερολέπτου.

Χρήση και αντιμετώπιση του ηλεκτρικού εργαλείου

- ▶ **Μην υπερφορτίζετε το εργαλείο. Χρησιμοποιείτε για την εργασία σας το ηλεκτρικό εργαλείο που προορίζεται για αυτήν.** Με το κατάλληλο ηλεκτρικό εργαλείο εργάζεστε καλύτερα και με μεγαλύτερη ασφάλεια στην αναφερόμενη περιοχή ισχύος.
- ▶ **Μην χρησιμοποιείτε ποτέ ένα ηλεκτρικό εργαλείο, ο διακόπτης του οποίου είναι χαλασμένος.** Ένα ηλεκτρικό εργαλείο το οποίο δεν μπορεί να τεθεί πλέον σε λειτουργία ή εκτός λειτουργίας είναι επικίνδυνο και πρέπει να επισκευαστεί.
- ▶ **Αποσυνδέστε το φως από την πρίζα και/ή απομακρύνετε μια αποσπώμενη μπαταρία πριν διεξάγετε ρυθμίσεις στο εργαλείο, αντικαταστήσετε κάποιο αξεσουάρ ή αποθηκεύσετε το εργαλείο.** Αυτό το προληπτικό μέτρο ασφαλείας αποτρέπει την ακούσια εκκίνηση του ηλεκτρικού εργαλείου.
- ▶ **Φυλάτε τα ηλεκτρικά εργαλεία που δεν χρησιμοποιείτε μακριά από παιδιά. Μην αφήνετε να χρησιμοποιήσουν το εργαλείο άτομα που δεν είναι εξοικειωμένα με αυτό ή που δεν έχουν διαβάσει αυτές τις οδηγίες χρήσης.** Τα ηλεκτρικά εργαλεία είναι επικίνδυνα, όταν χρησιμοποιούνται από άπειρα πρόσωπα.
- ▶ **Φροντίζετε σχολαστικά τα ηλεκτρικά εργαλεία και τα αξεσουάρ. Ελέγχετε, εάν τα κινούμενα μέρη λειτουργούν άψογα και δεν μπλοκάρουν, εάν έχουν σπάσει κάποια εξαρτήματα ή έχουν υποστεί τέτοια ζημιά ώστε να επηρεάζεται αρνητικά η λειτουργία του ηλεκτρικού εργαλείου. Δώστε τα χαλασμένα εξαρτήματα για επισκευή πριν χρησιμοποιήσετε ξανά το εργαλείο.** Πολλά ατυχήματα οφείλονται σε κακά συντηρημένα ηλεκτρικά εργαλεία.
- ▶ **Διατηρείτε τα εξαρτήματα κοπής αιχμηρά και καθαρά.** Τα σχολαστικά συντηρημένα εξαρτήματα κοπής με αιχμηρές ακμές κολλάνε σπανιότερα και καθοδηγούνται με μεγαλύτερη ευκολία.
- ▶ **Χρησιμοποιείτε το ηλεκτρικό εργαλείο, τα αξεσουάρ, τα εργαλεία ρύθμισης κτλ. σύμφωνα με τις παρούσες οδηγίες. Λαμβάνετε ταυτόχρονα υπόψη τις συνθήκες εργασίας και την προς εκτέλεση εργασία.** Η χρήση ηλεκτρικών εργαλείων για εργασίες διαφορετικές από τις προβλεπόμενες μπορεί να οδηγήσει σε επικίνδυνες καταστάσεις.
- ▶ **Διατηρείτε τις λαβές και επιφάνειες συγκράτησης στεγνές, καθαρές και απαλλαγμένες από λάδια και γράσα.** Οι ολισθηρές λαβές και επιφάνειες συγκράτησης δεν επιτρέπουν ασφαλή χειρισμό και έλεγχο του ηλεκτρικού εργαλείου σε απρόβλεπτες καταστάσεις.

Σέρβις

- ▶ **Αναθέτετε την επισκευή του ηλεκτρικού εργαλείου μόνο σε κατάλληλο εξειδικευμένο προσωπικό με χρήση μόνο γνήσιων ανταλλακτικών.** Με αυτόν τον τρόπο διασφαλίζεται ότι θα διατηρηθεί η ασφάλεια του ηλεκτρικού εργαλείου.

2.2 Υποδείξεις ασφαλείας για δρόπανα

Υποδείξεις ασφαλείας για όλες τις εργασίες

- ▶ **Φοράτε ωτοασπίδες.** Η επιδράση του θορύβου μπορεί να προκαλέσει απώλεια ακοής.



- ▶ Χρησιμοποιείτε τις πρόσθετες χειρολαβές που παραλάβατε μαζί με το εργαλείο. Η απώλεια του ελέγχου μπορεί να προκαλέσει τραυματισμούς.
- ▶ Κρατάτε το εργαλείο από τις μονωμένες επιφάνειες συγκράτησης, όταν εκτελείτε εργασίες κατά τις οποίες το εξάρτημα που χρησιμοποιείτε ενδέχεται να έρθει σε επαφή με καλυμμένα ηλεκτρικά καλώδια ή με το δικό του καλώδιο τροφοδοσίας. Η επαφή με καλώδιο που βρίσκεται υπό τάση μπορεί να θέσει υπό τάση ακόμη και τα μεταλλικά μέρη του εργαλείου και να προκαλέσει ηλεκτροπληξία.

Υποδείξεις ασφαλείας σε περίπτωση χρήσης τρυπανιών μεγάλου μήκους

- ▶ Αρχίζετε τη διαδικασία διάτρησης πάντα με χαμηλό αριθμό στροφών και ενώ το τρυπάνι είναι σε επαφή με το κατεργαζόμενο αντικείμενο. Σε υψηλότερους αριθμούς στροφών μπορεί να λυγίσει ελαφρώς το τρυπάνι, όταν μπορεί να περιστραφεί ελεύθερα χωρίς επαφή με το κατεργαζόμενο αντικείμενο και να προκληθούν τραυματισμοί.
- ▶ Μην ασκείτε υπερβολική πίεση και μόνο σε διαμήκη κατεύθυνση προς το τρυπάνι. Τα τρυπάνια μπορούν να λυγίσουν και επομένως να σπάσουν ή να προκαλέσουν απώλεια του ελέγχου και τραυματισμούς.

2.3 Πρόσθετες υποδείξεις για την ασφάλεια

Ασφάλεια προσώπων

- ▶ Χρησιμοποιείτε το προϊόν μόνο σε τεχνικά άψογη κατάσταση.
- ▶ Μην πραγματοποιείτε ποτέ παραποιήσεις ή μετατροπές στο εργαλείο.
- ▶ Στις εργασίες διαμπερούς διάτρησης απομονώστε την περιοχή που βρίσκεται πίσω από το σημείο που εργάζεστε. Μπορεί να πέσουν κομμάτια και να τραυματίσουν άλλα άτομα.
- ▶ Κρατάτε το εργαλείο πάντα και με τα δύο χέρια από τις προβλεπόμενες χειρολαβές. Διατηρείτε τις χειρολαβές στεγνές και καθαρές.
- ▶ Πιάνετε την πλάινη χειρολαβή πάντα από την εξωτερική πλευρά. Κατά τη διάτρηση και το βίδωμα ενδέχεται να εκτραπεί λοξά το εργαλείο.
- ▶ Αποφύγετε να ακουμπάτε περιστρεφόμενα εξαρτήματα - Κίνδυνος τραυματισμού!
- ▶ Φοράτε κατά τη χρήση του εργαλείου κατάλληλα προστατευτικά γυαλιά, προστατευτικό κράνος, ωτοασπίδες, προστατευτικά γάντια και ελαφριά μάσκα αναπνοής.
- ▶ Φοράτε προστατευτικά γάντια ακόμη και κατά την αντικατάσταση εξαρτημάτων. Η επαφή με το εξάρτημα μπορεί να προκαλέσει τραυματισμό από κοπή και εγκαυματα.
- ▶ Χρησιμοποιείτε προστατευτικά γυαλιά. Τα θραύσματα του υλικού μπορεί να προκαλέσουν τραυματισμούς στο σώμα και στα μάτια.
- ▶ Βεβαιωθείτε πριν την έναρξη της εργασίας για την κατηγορία κινδύνου της σκόνης που δημιουργείται κατά την εργασία. Χρησιμοποιήστε επαγγελματική ηλεκτρική σκούπα με επίσημα εγκεκριμένη κατηγοριοποίηση προστασίας, που να ανταποκρίνεται στους τοπικούς κανονισμούς προστασίας από τη σκόνη.
- ▶ Χρησιμοποιείτε κατά το δυνατό σύστημα αναρρόφησης σκόνης και κατάλληλο φορητό αποκοιωτή. Σκόνη υλικών όπως σοβάδων με περιεκτικότητα σε μολύβδο, ορισμένων ειδών ξύλου, μπετόν / τοιχοποιίας / πετρωμάτων που περιέχουν χαλαζίες και ορυκτών καθώς και μετάλλων μπορεί να είναι επιβλαβής για την υγεία.
- ▶ Φροντίστε για καλό αερισμό του χώρου εργασίας και φοράτε ενδεχομένως μάσκα προστασίας της αναπνοής, η οποία να είναι κατάλληλη για την εκάστοτε σκόνη. Η επαφή ή η εισπνοή σκόνης μπορεί να προκαλέσει αλλεργικές αντιδράσεις και/ή παθήσεις του αναπνευστικού συστήματος του χρήστη ή ατόμων που βρίσκονται κοντά. Συγκεκριμένα είδη σκόνης, όπως για παράδειγμα η σκόνη από δρυ ή οξιά θεωρούνται ως καρκινογόνα, ιδίως σε συνδυασμό με πρόσθετες ουσίες επεξεργασίας ξύλου (χρωμάτια, υλικά προστασίας ξυλείας). Η εργασία με υλικά με αμίαντο επιτρέπεται μόνο από εξειδικευμένο προσωπικό.
- ▶ Κάνετε διαλείμματα από την εργασία καθώς και ασκήσεις για καλύτερη αιμάτωση των δακτύλων σας. Σε παρατεταμένη εργασία ενδέχεται να προκληθούν από κραδασμούς προβλήματα σε αιμοφόρα αγγεία ή στο νευρικό σύστημα στα δάχτυλα, στα χέρια ή στις αρθρώσεις των χεριών.

Ηλεκτρική ασφάλεια

- ▶ Ελέγξτε την περιοχή εργασίας πριν από την έναρξη της εργασίας για καλυμμένα ηλεκτρικά καλώδια, σωλήνες αερίου και ύδρευσης. Από εξωτερικά μεταλλικά μέρη στο εργαλείο μπορεί να προκληθεί ηλεκτροπληξία, εάν π.χ. κατά λάθος προκαλέσετε ζημιά σε ένα ηλεκτρικό καλώδιο.

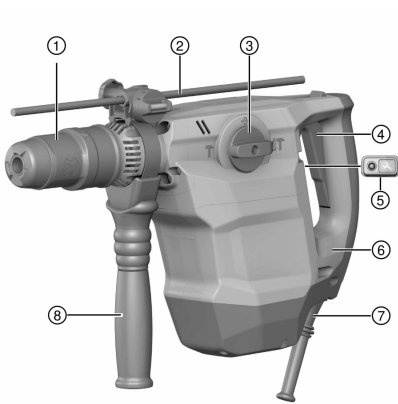
Επιμελής χειρισμός και χρήση ηλεκτρικών εργαλείων

- ▶ Απενεργοποιήστε αμέσως το ηλεκτρικό εργαλείο, όταν το εργαλείο κολλήσει. Το εργαλείο μπορεί να εκτραπεί προς το πλάι.
- ▶ Περιμένετε μέχρι να σταματήσει το ηλεκτρικό εργαλείο πριν το αποθέσετε.



3 Περιγραφή

3.1 Συνοπτική παρουσίαση προϊόντος 1



- ① Τσοκ
- ② Οδηγός βάθους διάτρησης
- ③ Διακόπτης επιλογής λειτουργίας
- ④ Διακόπτης ελέγχου
- ⑤ Ένδειξη σέρβις
- ⑥ Καλώδιο τροφοδοσίας
- ⑦ Πλαϊνή χειρολαβή

3.2 Έκδοση με κουμπωτό καλώδιο 2

- ① Πλήκτρο ασφάλισης
- ② Σύνδεση στο ηλεκτρικό εργαλείο
- ③ Καλώδιο τροφοδοσίας με κωδικοποιημένο, αφαιρούμενο φισ

3.3 Κατάλληλη χρήση

Το προϊόν που περιγράφεται είναι ένα ηλεκτρικό πιστόλετο με πνευματικό μηχανισμό κρούσης. Προορίζεται για εργασίες διάτρησης σε μπετόν, τοιχοποιίες, ξύλα και μέταλλα. Το προϊόν μπορεί να χρησιμοποιηθεί επιπρόσθετα για απλές έως μέτριες εργασίες σμίλευσης σε τοιχοποιίες και εργασίες βελτίωσης σε μπετόν.

- Επιτρέπεται να λειτουργεί μόνο με την ονομαστική τάση και συχνότητα τροφοδοσίας που αναφέρεται στην πινακίδα τύπου.

3.4 Πιθανή λανθασμένη χρήση

- Αυτό το προϊόν δεν είναι κατάλληλο για την κατεργασία υλικών επικινδυνών για την υγεία.
- Αυτό το προϊόν δεν είναι κατάλληλο για εργασίες σε υγρό περιβάλλον.

3.5 Active Vibration Reduction

Το προϊόν είναι εξοπλισμένο με ένα σύστημα Active Vibration Reduction (AVR), το οποίο μειώνει αισθητά τις δονήσεις.

3.6 Αυτόματο τσοκ (αξεσουάρ)

Το αυτόματο τσοκ επιτρέπει τη γρήγορη αντικατάσταση εξαρτημάτων χωρίς πρόσθετα εργαλεία. Είναι κατάλληλο για εξαρτήματα με κυλινδρικό στέλεχος, που χρησιμοποιούνται με τον τρόπο λειτουργίας "Χωρίς κρούση 2".

3.7 Ένδειξη σέρβις

Το προϊόν είναι εξοπλισμένο με μια ένδειξη σέρβις με φωτεινό σήμα.

Κατάσταση	Σημασία
Ανάβει η ένδειξη σέρβις	Έχει φτάσει ο χρόνος για το σέρβις.
Αναβοσβήνει η ένδειξη σέρβις	Ζημιές στο προϊόν. Αναθέστε την επισκευή του πιστολέτου στο σέρβις της Hilti.



3.8 Εκταση παράδοσης

Πιστολέτο, πλαϊνή χειρολαβή, οδηγίες χρήσης.

Περισσότερα, εγκεκριμένα για το προϊόν σας συστήματα θα βρείτε στο **Hilti Store** ή στη διεύθυνση: www.hilti.group

4 Τεχνικά χαρακτηριστικά

4.1 Πιστολέτο

Για την ονομαστική τάση, το ονομαστικό ρεύμα, τη συχνότητα ή/και την ονομαστική κατανάλωση ανατρέξτε στην πινακίδα τύπου για τη χώρα σας.

Σε περίπτωση λειτουργίας σε γεννήτρια ή μετασχηματιστή, πρέπει η ισχύς να είναι τουλάχιστον διπλάσια από την αναφερόμενη στην πινακίδα τύπου της συσκευής ονομαστική κατανάλωση. Η τάση λειτουργίας του μετασχηματιστή ή της γεννήτριας πρέπει να βρίσκεται ανά πάσα στιγμή εντός του +5 % και -15 % της ονομαστικής τάσης της συσκευής.

	TE 50-AVR
Βάρος σύμφωνα με EPTA-Procedure 01	6,1 kg
Θερμοκρασία αποθήκευσης	-20 °C ... 70 °C
Θερμοκρασία περιβάλλοντος κατά τη λειτουργία	-17 °C ... 60 °C
Ø τρυπανιού κρουστικής διάτρησης	12 mm ... 32 mm
Ø τρυπανιού ξύλου	6 mm ... 35 mm
Ø τρυπανιού μετάλλου	6 mm ... 13 mm

4.2 Πληροφορίες θορύβου και τιμές κραδασμών κατά EN 62841

Οι αναφερόμενες στις παρούσες οδηγίες τιμές ηχητικής πίεσης και κραδασμών έχουν μετρηθεί σύμφωνα με μια τυποποιημένη μέθοδο μέτρησης και μπορούν να χρησιμοποιηθούν για τη σύγκριση μεταξύ ηλεκτρικών εργαλείων. Είναι επίσης κατάλληλες για πρόχειρη εκτίμηση των εκθέσεων.

Τα αναφερόμενα στοιχεία αντιπροσωπεύουν τις κύριες εφαρμογές του ηλεκτρικού εργαλείου. Εάν ωστόσο το ηλεκτρικό εργαλείο χρησιμοποιηθεί σε άλλες εφαρμογές, με διαφορετικά εξαρτήματα ή με ελλιπή συντήρηση, ενδέχεται να διαφέρουν τα στοιχεία. Το γεγονός αυτό μπορεί να αυξήσει σημαντικά τις εκθέσεις σε όλη τη διάρκεια του χρόνου εργασίας.

Για μια ακριβή εκτίμηση της έκθεσης θα πρέπει να συνυπολογίζονται και οι χρόνοι, στους οποίους είναι απενεργοποιημένο το ηλεκτρικό εργαλείο ή λειτουργεί μεν, αλλά δεν χρησιμοποιείται πραγματικά. Το γεγονός αυτό μπορεί να μειώσει σημαντικά τις εκθέσεις σε όλη τη διάρκεια του χρόνου εργασίας.

Καθορίστε πρόσθετα μέτρα ασφαλείας για την προστασία του χρήστη από την επίδραση του θορύβου και/ή των κραδασμών, όπως για παράδειγμα: Συντήρηση ηλεκτρικού εργαλείου και εξαρτημάτων, διατήρηση χεριών σε κανονική θερμοκρασία, οργάνωση των σταδίων εργασίας.

Τιμές εκπομπής θορύβου

	TE 50-AVR
Επίπεδο στάθμης ήχου (L_{WA})	108 dB(A)
Ανακρίβεια επιπέδου στάθμης ήχου (K_{WA})	3 dB(A)
Στάθμη θορύβου (L_{pA})	97 dB(A)
Ανακρίβεια επιπέδου ηχητικής πίεσης (K_{pA})	3 dB(A)

Συνολικές τιμές κραδασμών

	TE 50-AVR
Διάτρηση σε μέταλλο ($a_{h,D}$)	< 5 m/s ²
Κρουστική διάτρηση σε μετόν ($a_{h,HD}$)	8,8 m/s ²
Σμίλευση ($a_{h,Cheq}$)	7,1 m/s ²
Ανακρίβεια για τις αναφερόμενες τιμές δόνησης (K)	1,5 m/s ²



5 Χειρισμός

5.1 Προετοιμασία εργασίας

ΠΡΟΣΟΧΗ

Κίνδυνος τραυματισμού! Ακούσια εκκίνηση του προϊόντος.

- ▶ Αποσυνδέστε το φιλς τροφοδοσίας, πριν πραγματοποιήσετε ρυθμίσεις στο εργαλείο ή αντικαταστήσετε αξεσουάρ.

Προσέξτε τις υποδείξεις ασφαλείας και προειδοποίησης στην παρούσα τεκμηρίωση και στο προϊόν.

5.1.1 Τοποθέτηση πλαϊνής χειρολαβής

1. Περιστρέψτε τη λαβή, για να λασκάρετε το στήριγμα (σφιγκτήρας) της πλαϊνής χειρολαβής.
2. Σπρώξτε το στήριγμα (σφιγκτήρας) από μπροστά επάνω από το τσοκ μέχρι την προβλεπόμενη εγκοπή.
3. Τοποθετήστε την πλαϊνή χειρολαβή στην επιθυμητή θέση.
4. Περιστρέψτε τη λαβή, για να σφίξετε το στήριγμα (σφιγκτήρας) της πλαϊνής χειρολαβής.

5.1.2 Τοποθέτηση οδηγού βάθους (προαιρετικά)

1. Περιστρέψτε τη λαβή, για να λασκάρετε το στήριγμα (σφιγκτήρας) της πλαϊνής χειρολαβής.
2. Σπρώξτε τον οδηγό βάθους από μπροστά στις προβλεπόμενες 2 οπές-οδηγούς.
3. Περιστρέψτε τη λαβή, για να σφίξετε το στήριγμα (σφιγκτήρας) της πλαϊνής χειρολαβής.
 - ▶ Ο οδηγός βάθους είναι τοποθετημένος. Για τη ρύθμιση του βάθους διάτρησης:
4. Ξεβιδώστε τη βίδα στον οδηγό βάθους.
5. Ρυθμίστε τον οδηγό βάθους διάτρησης στο επιθυμητό βάθος διάτρησης.
6. Κλείστε τη βίδα στον οδηγό βάθους.

5.1.3 Τοποθέτηση/αφαίρεση εξαρτήματος

ΠΡΟΣΟΧΗ

Κίνδυνος τραυματισμού από εξάρτημα! Το εξάρτημα μπορεί να κείει ή να είναι αιχμηρό.

- ▶ Φοράτε προστατευτικά γάντια κατά την αντικατάσταση του εξαρτήματος.

1. Γρασάρετε ελαφρά την απόληξη του εξαρτήματος.
2. Τοποθετήστε το εξάρτημα μέχρι να τερματίσει στο τσοκ και αφήστε το να κουμπώσει.
 - ▶ Το προϊόν είναι σε ετοιμότητα λειτουργίας.
3. Τραβήξτε πίσω μέχρι τον αναστολέα τον μηχανισμό ασφάλισης εξαρτημάτων και αφαιρέστε το εξάρτημα.



Χρησιμοποιείτε μόνο γνήσιο γράσο της **Hilti**. Η χρήση ενός ακατάλληλου γράσου μπορεί να προκαλέσει ζημιές στο προϊόν.

5.2 Εργασία

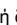
ΠΡΟΣΟΧΗ

Κίνδυνος ζημιάς από λάθος χειρισμό!

- ▶ Μην χειρίζεστε τον διακόπτη για τη φορά περιστροφής ή/και την επιλογή λειτουργίας κατά τη λειτουργία.

Προσέξτε τις υποδείξεις ασφαλείας και προειδοποίησης στην παρούσα τεκμηρίωση και στο προϊόν.

5.2.1 Διάτρηση με κρούση (κρουστική διάτρηση)

1. Θέστε τον διακόπτη επιλογής λειτουργίας στη θέση "κρουστική διάτρηση"  **T**.
2. Τοποθετήστε το τρυπάνι στο υπόστρωμα.
3. Πιέστε το διακόπτη ελέγχου.
 - ▶ Το προϊόν αρχίζει να λειτουργεί.



5.3 Ρύθμιση θέσης καλεμιού

ΠΡΟΣΟΧΗ

Κίνδυνος τραυματισμού! Απώλεια του ελέγχου λόγω της κατεύθυνσης του καλεμιού.

- ▶ Μην εργάζεστε στη θέση "Ρύθμιση θέσης καλεμιού". Θέστε τον διακόπτη επιλογής λειτουργίας στη θέση "Σμίλευση", μέχρι να ασφαλίσει.



Το καλέμι μπορεί να τοποθετηθεί σε 24 διαφορετικές θέσεις (σε βήματα των 15°). Με αυτόν τον τρόπο μπορείτε να εργάζεστε πάντα στην κάθε φορά βέλτιστη θέση εργασίας με επίπεδα και διαμορφωμένα καλέμια.

1. Θέστε τον διακόπτη επιλογής λειτουργίας στη θέση "Ρύθμιση θέσης καλεμιού" →.
2. Περιστρέψτε το καλέμι στην επιθυμητή θέση.
3. Θέστε τον διακόπτη επιλογής λειτουργίας στη θέση "Σμίλευση" **T**, μέχρι να ασφαλίσει.
 - ▶ Το προϊόν είναι σε ετοιμότητα λειτουργίας.

5.3.1 Σμίλευση

- ▶ Θέστε τον διακόπτη επιλογής λειτουργίας στη θέση "Σμίλευση" **T**.

5.3.2 Ενεργοποίηση / απενεργοποίηση συνεχούς λειτουργίας



Στη λειτουργία σμίλευσης μπορείτε να ασφαλίσετε τον διακόπτη on/off σε κατάσταση ενεργοποίησης.

1. Σπρώξτε προς τα εμπρός το κουμπί μανδάλωσης για συνεχή λειτουργία.
2. Πατήστε μέχρι τέρμα τον διακόπτη on/off.
 - ▶ Το προϊόν λειτουργεί πλέον σε συνεχή λειτουργία.
3. Σπρώξτε προς τα πίσω το κουμπί μανδάλωσης για συνεχή λειτουργία.
 - ▶ Το προϊόν απενεργοποιείται.

6 Κουμπωτό καλώδιο

6.1 Σύνδεση αφαιρούμενου καλωδίου τροφοδοσίας

ΠΡΟΣΟΧΗ

Κίνδυνος τραυματισμού από ρεύματα διαρροής σε περίπτωση ακάθαρτων επαφών.

- ▶ Συνδέστε το αφαιρούμενο ηλεκτρικό φως με το ηλεκτρικό εργαλείο μόνο όταν είναι καθαρό, στεγνό και χωρίς τάση.
1. Εισάγετε το κωδικοποιημένο, αφαιρούμενο ηλεκτρικό φως στο εργαλείο μέχρι να τερματίσει, μέχρι να κουμπώσει αισθητά ο μηχανισμός ασφάλισης.
 2. Συνδέστε το φως στην πρίζα.

6.2 Αποσύνδεση αφαιρούμενου καλωδίου τροφοδοσίας από το ηλεκτρικό εργαλείο

1. Αποσυνδέστε το φως από την πρίζα.
2. Πατήστε το κουμπί ασφάλισης και τραβήξτε έξω το κωδικοποιημένο, αφαιρούμενο ηλεκτρικό φως.
3. Αποσυνδέστε το καλώδιο τροφοδοσίας από το εργαλείο.

7 Φροντίδα και συντήρηση

ΠΡΟΕΙΔΟΠΟΙΗΣΗ

Κίνδυνος από ηλεκτροπληξία! Η φροντίδα και η συντήρηση με συνδεδεμένο το φως τροφοδοσίας ενδέχεται να προκαλέσει σοβαρούς τραυματισμούς και εγκαύματα.

- ▶ Πριν από κάθε εργασία φροντίδας και συντήρησης αποσυνδέετε πάντα το φως τροφοδοσίας!

Φροντίδα

- Απομακρύνετε προσεκτικά τους ρύπους που έχουν επικαθίσει.



- Καθαρίστε τις σχισμές αερισμού προσεκτικά με μια στεγνή βούρτσα.
- Καθαρίζετε το περίβλημα μόνο με ένα ελαφρώς βρεγμένο πανί. Μην χρησιμοποιείτε υλικά φροντίδας με περιεκτικότητα σε σιλικόνη, διότι ενδέχεται να προσβάλλουν τα πλαστικά μέρη.

Συντήρηση

ΠΡΟΕΙΔΟΠΟΙΗΣΗ

Κίνδυνος από ηλεκτροπληξία! Οι ακατάλληλες επισκευές σε ηλεκτρικά εξαρτήματα ενδέχεται να προκαλέσουν σοβαρούς τραυματισμούς και εγκαύματα.

- ▶ Επισκευές σε ηλεκτρικά μέρη επιτρέπεται να διενεργούνται μόνο από εξειδικευμένο ηλεκτρολόγο.
- Ελέγχετε τακτικά όλα τα ορατά μέρη για τυχόν ζημιές και τα στοιχεία χειρισμού ως προς την απρόσκοπτη λειτουργία.
- Σε περίπτωση ζημιών ή/και δυσλειτουργιών, μην χρησιμοποιείται το προϊόν. Αναθέστε αμέσως την επισκευή στο σέρβις της **Hilti**.
- Μετά από εργασίες φροντίδας και συντήρησης, τοποθετήστε όλα τα συστήματα προστασίας και ελέγξτε τη λειτουργία τους.



Για μια ασφαλή λειτουργία χρησιμοποιείτε μόνο γνήσια ανταλλακτικά και αναλώσιμα. Εγκεκριμένα από εμάς ανταλλακτικά, αναλώσιμα και αξεσουάρ για το προϊόν σας θα βρείτε στο πλησιέστερο **Hilti Store** ή στη διεύθυνση: www.hilti.group.

8 Μεταφορά και αποθήκευση

- Μην μεταφέρετε το ηλεκτρικό εργαλείο με τοποθετημένο εξάρτημα.
- Αποθηκεύετε το ηλεκτρικό εργαλείο πάντα με αποσυνδεδεμένο το καλώδιο τροφοδοσίας.
- Αποθηκεύετε το εργαλείο σε στεγνό χώρο και σε σημείο στο οποίο δεν έχουν πρόσβαση παιδιά και αναρμόδια άτομα.
- Μετά από μεγαλύτερης διάρκειας μεταφορά ή αποθήκευση, ελέγξτε πριν από τη χρήση το εργαλείο για ζημιές.

9 Βοήθεια για προβλήματα

Σε βλάβες που δεν αναφέρονται σε αυτόν τον πίνακα ή δεν μπορείτε να αποκαταστήσετε μόνοι σας, απευθυνθείτε στο σέρβις της **Hilti**.

9.1 Βοήθεια για προβλήματα

Βλάβη	Πιθανή αιτία	Λύση
Το εργαλείο δε λειτουργεί.	Διακοπή τροφοδοσίας ρεύματος	▶ Συνδέστε μια άλλη ηλεκτρική συσκευή και ελέγξτε τη λειτουργία.
	Η ηλεκτρονική φραγή εκκίνησης είναι ενεργή μετά από διακοπή ρεύματος.	▶ Απενεργοποιήστε και ενεργοποιήστε ξανά το εργαλείο.
Απουσία κρούσης.	Το εργαλείο είναι πολύ κρύο.	▶ Τοποθετήστε το κρουστικό δράπανο στο υπόστρωμα και αφήστε το να λειτουργεί χωρίς φορτίο. Εάν χρειάζεται, επαναλάβετε μέχρι να αρχίσει να λειτουργεί ο μηχανισμός κρούσης.
Το πιστολέτο δεν έχει την πλήρη ισχύ.	Η μπαλαντέζα έχει πολύ μικρή διατομή.	▶ Χρησιμοποιήστε μια μπαλαντέζα με επαρκή διατομή.
	Παροχή με πολύ χαμηλή τάση.	▶ Συνδέστε το πιστολέτο σε άλλη τροφοδοσία ρεύματος.
Το τρυπάνι δεν περιστρέφεται.	Ο διακόπτης επιλογής λειτουργίας δεν έχει ασφαλίσει ή βρίσκεται στη θέση "Σμίλευση" T ή "Ρύθμιση θέσης καλεμιού" -> .	▶ Θέστε τον διακόπτη επιλογής λειτουργίας στη θέση "κρουστική διάτρηση" ΣΤ .



Βλάβη	Πιθανή αιτία	Λύση
Το τρυπάνι δεν μπορεί να αφαιρεθεί από το μηχανισμό ασφάλισης.	Δεν έχετε τραβήξει τελείως προς τα πίσω το τσοκ.	▶ Τραβήξτε πίσω μέχρι τον αναστολέα τον μηχανισμό ασφάλισης εξαρτημάτων και αφαιρέστε το εξάρτημα.
	Δεν έχει τοποθετηθεί σωστά η πλαϊνή χειρολαβή.	▶ Αφαιρέστε και τοποθετήστε σωστά την πλαϊνή χειρολαβή, έτσι ώστε ο σφιγκτήρας και η πλαϊνή χειρολαβή να κουμπώνουν στην εγκοπή.
Η ένδειξη σέρβις ανάβει μετά την αντικατάσταση των ψηκτρών.	Οι επαφές δεν έχουν λειανθεί ακόμη.	▶ Αφήστε τις ψήκτρες να προσαρμοστούν χωρίς φορτίο για τουλάχιστον 1 λεπτό χωρίς διακοπή.

10 Διάθεση στα απορρίμματα

Τα εργαλεία της **Hilti** είναι κατασκευασμένα σε μεγάλο ποσοστό από ανακυκλώσιμα υλικά. Προϋπόθεση για την ανακύκλωσή τους είναι ο κατάλληλος διαχωρισμός των υλικών. Σε πολλές χώρες, η **Hilti** παραλαμβάνει το παλιό σας εργαλείο για ανακύκλωση. Ρωτήστε το σέρβις ή τον σύμβουλο πωλήσεων της **Hilti**.



- ▶ Μην πετάτε τα ηλεκτρικά εργαλεία, της ηλεκτρονικές συσκευές και τις επαναφορτιζόμενες μπαταρίες στον κάδο οικιακών απορριμμάτων!

11 RoHS (οδηγία για τον περιορισμό της χρήσης επικίνδυνων ουσιών)

Στον ακόλουθο σύνδεσμο θα βρείτε τον πίνακα επικίνδυνων ουσιών: qr.hilti.com/r4902202.

Στο τέλος αυτής της τεκμηρίωσης θα βρείτε ως κωδικό QR έναν σύνδεσμο για τον πίνακα RoHS.

12 Εγγύηση κατασκευαστή

- ▶ Για ερωτήσεις σχετικά με τους όρους εγγύησης απευθυνθείτε στον τοπικό συνεργάτη της **Hilti**.





EC Declaration of Conformity | UK Declaration of Conformity



Manufacturer:
Hilti Corporation
Feldkircherstraße 100
9494 Schaan | Liechtenstein

UK Importer:
Hilti (Gt. Britain) Limited
No. 1 Circle Square, 3 Symphony Park
Manchester, England, M1 7FS

TE 50-AVR (03)

Serial Numbers: 1-99999999999

2006/42/EC | Supply of Machinery (Safety) Regulations 2008

EN 62841-1:2015, AC:2015

EN IEC 62841-2-6:2020/A11:2020

2014/30/EU | Electromagnetic Compatibility Regulations 2016

EN IEC 55014-1:2021

EN IEC 55014-2:2021

2011/65/EU | The Restriction of the Use of Certain Hazardous Substances in Electrical and Electronic Equipment Regulations 2012

EN IEC 61000-3-2:2019, A1:2021

EN 61000-3-3:2013 + A1:2019

Dr. Tahar Zrilli
Head of Quality and Process Management
Business Area Electric Tools & Accessories

Schaan, 12.02.2023

Edward-Louis Przybylowicz
Head of BU Power Tool & Accessories
Business Area Electric Tools & Accessories



<http://qr.hilti.com/r4902202>



Hilti Corporation
LI-9494 Schaan
Tel.:+423 234 21 11
Fax:+423 234 29 65
www.hilti.group



2102964