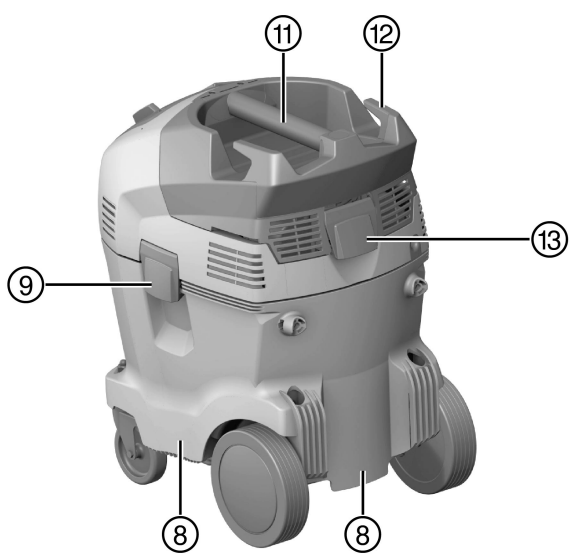
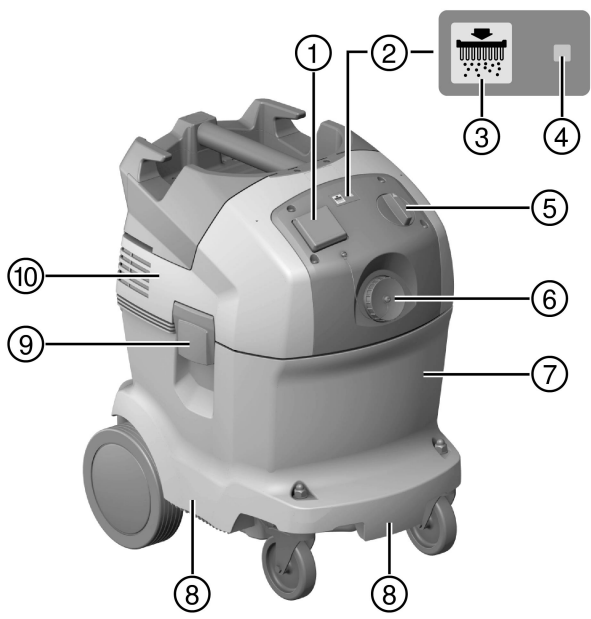


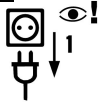


VC 20 / VC 40

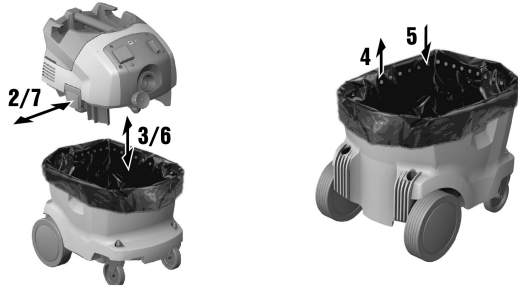
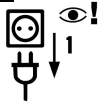
English	1
Français	15
Polski	30
Čeština	45
Русский	59
Slovenčina	75
日本語	89
한국어	103
繁體中文	117
中文	130



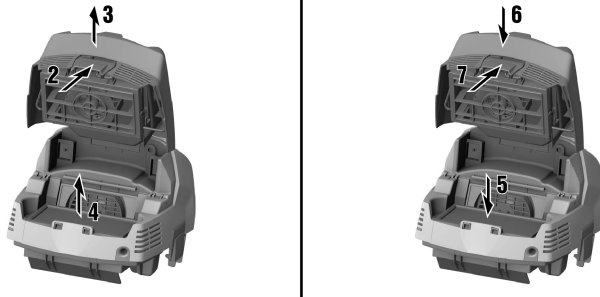
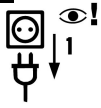
2



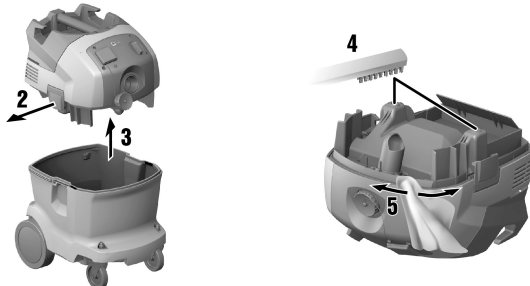
3



4



5



VC 20 / VC 40

en	Original operating instructions	1
fr	Notice d'utilisation originale	15
pl	Oryginalna instrukcja obsługi	30
cs	Originální návod k obsluze	45
ru	Оригинальное руководство по эксплуатации	59
sk	Originálny návod na obsluhu	75
ja	オリジナル取扱説明書	89
ko	오리지널 사용 설명서	103
zh	原始操作說明	117
cn	原版操作说明	130

1 Information about the documentation

1.1 About this documentation

- Read this documentation before initial operation or use. This is a prerequisite for safe, trouble-free handling and use of the product.
- Observe the safety instructions and warnings in this documentation and on the product.
- Always keep the operating instructions with the product and make sure that the operating instructions are with the product when it is given to other persons.

1.2 Explanation of symbols

1.2.1 Warnings

Warnings alert persons to hazards that occur when handling or using the product. The following signal words are used:



DANGER !

- ▶ Draws attention to imminent danger that will lead to serious personal injury or fatality.



WARNING !

- ▶ Draws attention to a potential threat of danger that can lead to serious injury or fatality.



CAUTION !

- ▶ Draws attention to a potentially dangerous situation that could lead to slight personal injury or damage to the equipment or other property.

1.2.2 Symbols in the documentation

The following symbols are used in our documentation:

	Read the operating instructions before use
	Instructions for use and other useful information
	Dealing with recyclable materials
	Do not dispose of electric equipment and batteries as household waste

1.2.3 Symbols in the illustrations

The following symbols are used our in illustrations:

	These numbers refer to the corresponding illustrations found at the beginning of these operating instructions
	The numbering reflects the sequence of operations shown in the illustrations and may deviate from the steps described in the text
	Item reference numbers are used in the overview illustrations and refer to the numbers used in the product overview section
	This symbol is intended to draw special attention to certain points when handling the product.
	Wireless data transfer

1.2.4 Additional symbols

The following symbols are used on the product:





Transport by crane is not permissible.

1.3 Product-dependent symbols

1.3.1 Symbols on the product

The following symbols are used on the product:



Warning: hot surface



Transport by crane is not permissible.

1.4 Special stickers on the product

Applicable to UL vacuum cleaners



WARNING: This unit contains hazardous dust. Emptying and maintenance, including the removal of the dust bag, may be carried out only by persons familiar with the unit and wearing suitable protective equipment. Do not switch on until the complete filter system has been installed.

Applicable to UM and UME vacuum cleaners



WARNING: This unit contains hazardous dust. Emptying and maintenance, including the removal of the dust bag, may be carried out only by well-informed persons wearing suitable protective equipment. Do not switch on the unit until the complete filter system has been installed and the function of the volume-flow control has been tested.

1.5 Product information

HILTI products are designed for professional users and only trained, authorized personnel are permitted to operate, service and maintain the products. This personnel must be specifically informed about the possible hazards. The product and its ancillary equipment can present hazards if used incorrectly by untrained personnel or if used not in accordance with the intended use.

The type designation and serial number are printed on the rating plate.

- ▶ Write down the serial number in the table below. You will be required to state the product details when contacting Hilti Service or your local Hilti organization to inquire about the product.

Product information

Wet / dry vacuum cleaner	VC 20-U VC 20-UL VC 20-UM VC 20-UME VC 40-U VC 40-UL VC 40-UM VC 40-UME
Generation	02
Serial no.	

1.6 Declaration of conformity

We declare, on our sole responsibility, that the product described here complies with the applicable directives and standards. A copy of the declaration of conformity can be found at the end of this documentation.

The technical documentation is filed here:

Hilti Entwicklungsgesellschaft mbH | Tool Certification | Hiltistrasse 6 | 86916 Kaufering, Germany



2 Safety

2.1 General safety instructions

In addition to the safety instructions given in the various sections of these operating instructions, the following points must be strictly observed at all times.

- ▶ **Read all the instructions.** Failure to follow all the instructions listed below may result in electric shock, fire and/or serious injury.
- ▶ **If the appliance is used in conjunction with an electric tool, read and follow the operating instructions for the electric tool and all the warnings.**
- ▶ **Modification of the appliance is not permitted.**
- ▶ **Use the right appliance for the job. Do not use the appliance for purposes for which it was not intended. Use it only as directed and when in faultless condition.**
- ▶ **Before beginning work with the appliance, find out how to operate it correctly and about any hazards associated with the materials it will be picking up and how these materials can be disposed of.**
- ▶ **Take the influences of the surrounding area into account. Do not use the appliance where there is a risk of fire or explosion.**
- ▶ **The appliance may only be used by persons who are familiar with it, have been trained on how to use it safely and who understand the resulting hazards. The appliance is not intended for use by children.**
- ▶ **Store appliances in a secure place when not in use. When not in use, appliances must be stored in a dry, high place or locked away out of reach of children.**

2.2 Personal safety

- ▶ **Stay alert, watch what you are doing and use common sense when working with the product. Do not use the vacuum cleaner while you are tired or under the influence of drugs, alcohol or medication.** A moment of inattention while operating the appliance may result in serious personal injury.
- ▶ **The user and any other persons in the vicinity must wear suitable eye protection, a hard hat, ear protection, protective gloves, safety footwear and breathing protection while the appliance is in use or while maintenance work on it is being carried out.**
- ▶ **Engage the wheel brakes so that the vacuum cleaner stands securely.** If the wheel brakes are disengaged the vacuum cleaner may run away out of control.
- ▶ **If devices are provided for the connection of dust extraction and collection facilities, ensure these are connected and properly used.** Use of a vacuum cleaner can reduce dust-related hazards.

2.3 Use and care of the appliance

- ▶ **Never leave the appliance unattended.**
- ▶ **Do not deactivate the filter cleaning system when picking up hazardous dusts, especially when the appliance is used in conjunction with electric tools that generate dust.**
- ▶ **Protect the appliance from frost.**
- ▶ **Clean the water level limiting device regularly with a brush, in accordance with the instructions, and check it for signs of damage.**
- ▶ **When fitting the top section of the vacuum cleaner, take care to avoid pinching your fingers or damaging the supply cord.** This presents a risk of injury or damage.
- ▶ **Check the appliance and its accessories for any damage. Guards, safety devices and any slightly damaged parts must be checked carefully to ensure that they function faultlessly and as intended. Check that moving parts function faultlessly, without sticking, and that no parts are damaged. In order to ensure faultless operation of the appliance, all parts must be fitted correctly and must meet the necessary requirements.**
- ▶ **Have the appliance serviced by a qualified repair person using only genuine Hilti spare parts.** The safety of the appliance can thus be maintained.
- ▶ **Always unplug the supply cord from the power outlet when the appliance is not in use (during breaks), before cleaning and maintenance and before changing the filter or accessories.** This preventive safety measure reduces the risk of starting the appliance accidentally.
- ▶ **Never pull the vacuum cleaner by the supply cord to a new working position. Do not run the wheels of the vacuum cleaner over the supply cord.**
- ▶ **Do not transport the appliance by crane.**



Additionally applicable to UM and UME vacuum cleaners

- ▶ **Close the hose inlet socket with the cap before transporting the appliance and when it is not in use..**

2.4 Electrical safety

- ▶ **The plug on the supply cord of the appliance must match the outlet. Do not change the plug in any way. Do not use adapter plugs with earthed (grounded) appliances.** Unmodified plugs and matching outlets reduce risk of electric shock.
- ▶ **Insert the plug in a suitable earthed/grounded power outlet which has been correctly and safely installed and is in compliance with local regulations. If you are in doubt about the effectiveness of the power outlet's earth/ground connection, have it checked by a qualified specialist.**
- ▶ **Avoid body contact with earthed or grounded surfaces such as pipes, radiators, cookers, stoves and refrigerators.** There is an increased risk of electric shock if your body is grounded.
- ▶ **Do not expose the appliance to rain or wet conditions.** Water entering an electric appliance will increase the risk of electric shock.
- ▶ **Check to ensure that the supply cord does not lie in a puddle of water.**
- ▶ **Check the appliance's supply cord at regular intervals and have it replaced by Hilti Service if damage is found. Check extension cords at regular intervals and replace them if found to be damaged.**
- ▶ **Do not touch the supply cord or extension cord if they are damaged while working. Disconnect the supply cord plug from the power outlet.** Damaged supply cords or extension cords present a risk of electric shock.
- ▶ The electric supply cord may be replaced only with a cord of the type specified in the operating instructions.
- ▶ **Do not abuse the cord. Never use the cord for carrying, pulling or unplugging the appliance. Keep the cord away from heat, oil, sharp edges or moving parts.** Damaged or entangled cords increase the risk of electric shock.
- ▶ **When operating an electric appliance outdoors, use only extension cords of a type suitable for outdoor use.** Use of an extension cord suitable for outdoor use reduces the risk of electric shock.
- ▶ **In the event of an interruption in the electric supply, switch the appliance off and unplug it from the power outlet.**
- ▶ **Use the power outlet on the appliance only for the purposes described in the operating instructions.**
- ▶ **Never operate the appliance when it is dirty or wet.** Dust (especially dust from conductive materials) or dampness adhering to the surface of the appliance may, under unfavorable conditions, lead to electric shock. **Dirty or dusty appliances should thus be checked by Hilti Service at regular intervals, especially if used frequently for working on conductive materials.**

2.5 Workplace

- ▶ **Ensure that the workplace is well lit.**
- ▶ **Ensure that the workplace is well ventilated.** Exposure to dust at a poorly ventilated workplace may result in damage to the health.
- ▶ **Keep the workplace tidy. Objects which could cause injury should be removed from the working area.** Untidiness at the workplace can lead to accidents.
- ▶ **Do not operate the appliance in explosive atmospheres, such as in the presence of flammable liquids, gases or dust.** Electric appliances cause sparks which may ignite the dust or fumes.
- ▶ **Use extra care when working on stairs.**

2.6 The material picked up

- ▶ **Do not use the appliance to pick up flammable or explosive dusts (magnesium or aluminum dust etc.) or dusts that present a health hazard. Do not use the appliance to pick up materials hotter than 60°C (140°F), (e.g. glowing cigarette ends, hot ash).**
- ▶ **Do not use the appliance to pick up flammable, explosive or aggressive liquids (coolants and lubricants, gasoline, solvents, acids (pH < 5), alkalies (pH > 12.5), etc.).**
- ▶ **Switch the appliance off immediately if foam or liquids escape from it.**
- ▶ **Wear protective gloves when using the appliance to pick up hot materials at temperatures of up to 60°C (140°F).**
- ▶ **When working with mineral drilling slurry, wear protective clothing and avoid skin contact with the slurry (pH > 9: caustic).**



- ▶ **Avoid contact with alkaline or acidic liquids. If contact accidentally occurs, rinse with water. In the event of the liquid coming into contact with the eyes, rinse the eyes with plenty of water and consult a doctor.**

Additionally applicable to UL vacuum cleaners

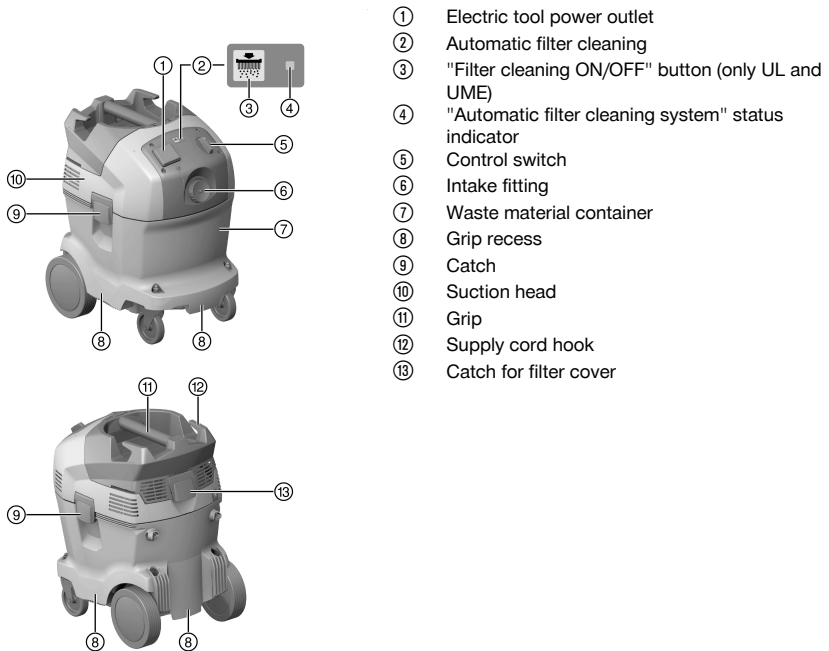
- ▶ A Dust Class L appliance is suitable for picking up dry, non-flammable dusts, liquids, wood chips and hazardous dusts with an exposure limit value of $> 1 \text{ mg/m}^3$. **The appliance must be equipped with a suitable filter corresponding to the hazard classification of the dusts to be picked up.**

Additionally applicable to UM and UME vacuum cleaners

- ▶ A Dust Class M appliance is suitable for picking up dry, non-flammable dusts, liquids, wood chips and hazardous dusts with an exposure limit value of $\geq 0.1 \text{ mg/m}^3$. **The appliance must be equipped with a suitable filter corresponding to the hazard classification of the dusts to be picked up.**

3 Description

3.1 Product overview



- ① Electric tool power outlet
- ② Automatic filter cleaning
- ③ "Filter cleaning ON/OFF" button (only UL and UME)
- ④ "Automatic filter cleaning system" status indicator
- ⑤ Control switch
- ⑥ Intake fitting
- ⑦ Waste material container
- ⑧ Grip recess
- ⑨ Catch
- ⑩ Suction head
- ⑪ Grip
- ⑫ Supply cord hook
- ⑬ Catch for filter cover

3.2 Intended use

The products described here are industrial vacuum cleaners designed for universal, commercial use. They may be used for wet or dry applications.

Use of the product to clean down persons or animals is not permissible. Underwater use is not permissible.

WARNING

Health hazard! U-type vacuum cleaners are not suitable for picking up hazardous dust.

- ▶ Do not use these vacuum cleaner models to pick up hazardous dust.
-
- ▶ Before beginning work with the product, find out how to operate it correctly and about any hazards associated with the materials you will be working with and how these materials can be disposed of safely.
 - ▶ Do not use the product for continuous, stationary operation in automatic or semi-automatic systems.
 - ▶ To reduce the risk of injury, use only genuine **Hilti** accessories and accessory tools.
 - ▶ Use an antistatic suction hose in order to avoid electrostatic effects.



- ▶ Do not pick up objects or materials that could cause injury by piercing through the dust bag (e.g. pointed or sharp objects).
- ▶ Do not stand on the product (do not use it as a substitute for a ladder).

This product is suitable for the following applications in commercial use:

- Collecting large quantities of dust from **Hilti** diamond grinders, diamond cutters, rotary hammers and core drilling machines using dry-cutting core bits.
- Picking up drilling slurry (mineral materials) from **Hilti** diamond core bits or **Hilti** diamond saws and liquids up to a temperature of < 60 °C (140 °F).
- Picking up oil or liquid substances with a temperature of up to < 60 °C (140 °F).
- Wet and/or dry cleaning of wall and floor surfaces.

Additionally applicable to UL vacuum cleaners

Picking up dry, non-flammable dusts, liquids, wood chips and hazardous dusts with an exposure limit value of > 1 mg/m³ (Dust Class L).

Additionally applicable to UM and UME vacuum cleaners

Picking up dry, non-flammable dusts, liquids, wood chips and hazardous dusts with an exposure limit value of ≥ 0.1 mg/m³ (Dust Class M).

Additionally applicable to UL, UM and UME vacuum cleaners

With vacuum cleaners it is necessary to make provision for an adequate rate of air exchange (L) in the room in situations where the expelled air is returned to the room. Please observe national regulations.

3.3 Possible misuse

- Do not operate the industrial vacuum cleaner when it is laid on its side.
- Do not use the industrial vacuum cleaner to pick up substances that present a risk of explosion, glowing, burning or flammable substances or aggressive dusts (e.g. magnesium or aluminum dust, etc.) (exception: wood chips or shavings).
- Do not use the industrial vacuum cleaner to pick up flammable liquids (e.g. gasoline, solvents, coolants and lubricants, etc.).
- Working with materials hazardous to the health (e.g. asbestos) is not permissible.

3.4 Items supplied

Wet/dry vacuum cleaner including filter element, suction hose complete with rotatable connector (at the vacuum cleaner end) and connector for accessories, PE VC 20/40 plastic dust bag, operating instructions.

3.5 Warning tone

UM and UME vacuum cleaners emit an audible warning tone. This warning tone is emitted when the air speed in the hose drops below 20 m/s.

In order to ensure that the warning tone is emitted correctly, the hose diameter setting must be set to the diameter of the suction hose in use.

3.6 Automatic filter cleaning

The vacuum cleaner is equipped with an automatic filter cleaning system that removes most of the dust adhering to the filter element.

The filter cleaning system can be switched off by pressing the “Automatic filter cleaning ON/OFF” button and switched back on by pressing the button again.

Status	Meaning
LED lights.	• The filter cleaning system is active.
LED doesn't light.	• The filter cleaning system is not active.

The filter cleaning system is activated automatically each time the vacuum cleaner is switched on.

The filter element is cleaned automatically by a blast of air (a pulsating noise is heard).

In order to achieve continuously high suction performance in system applications (especially grinding and sanding, cutting and slitting) or when picking up large quantities of dust, the filter cleaning system must be active.

The filter cleaning system functions only when a suction hose is connected.



3.7 Instructions for use

Accessories and how they are used

Accessories	Type of use
PE VC 20 synthetic dust bag (203854)	Working with mineral materials, wet and dry
PE VC 40 synthetic dust bag (203852)	Working with mineral materials, wet and dry
VC 20 paper dust bag (203858)	Working with wood
VC 40 paper dust bag (203856)	Working with wood
VC 20/40 dry filter (2121386)	Dry
VC 20/40 universal filter (2121387)	Universal use, wet and dry
VC 20/40 performance filter (2121388)	Heavy use, wet and dry
Suction hose, 27 x 3.5 m AS	Wet and dry
Suction hose, 36 mm	Mainly wet, not for dust
Suction hose, 36 x 5 m AS	Wet and dry

- Use of a plastic or paper dust bag is absolutely essential with vacuum cleaners of the UM and UME type.

4 Technical data

4.1 Wet / dry vacuum cleaner

	VC 20	VC 40
Dimensions (L x W x H in mm)	505 x 380 x 500	505 x 380 x 610
Weight in accordance with EPTA procedure 01	13.0 kg	14.7 kg
Container capacity	21 ℓ	36 ℓ
Effective dust capacity	23 kg	40 kg
Water capacity	13.5 ℓ	25 ℓ
Operating temperature	-10 °C ... 40 °C	-10 °C ... 40 °C
Automatic filter cleaning, all	15 s	15 s
Protection class	I	I
Protection class	IP X4	IP X4
AC frequency	50 Hz ... 60 Hz	50 Hz ... 60 Hz

4.2 Rated voltage

i If the appliance is powered by a generator or transformer, the generator or transformer's power output must be at least twice the rated input power shown on the rating plate of the appliance. The operating voltage of the transformer or generator must always be within +5 % and -15 % of the rated voltage of the appliance.

•/•	100 Volts [V]	110 Volts [V]	110 Volts [V]	200 Volts [V]
Rated power input	1200 Watts [W]	1100 Watts [W]	1100 Watts [W]	950 Watts [W]
Maximum load on built-in power outlet for electric tools (if fitted)	•/•	1600 Watts [W]	•/•	•/•
Power-source connection (type)	VCTF 3 x 2.0 mm ²	A07 QQF 3 / 12 AWG	H07 BQF 3G 1.5 mm ²	VCTF 3 x 2.0 mm ²
•/•	220 - 240 Volts [V]	220 - 240 (CH) Volts [V]	220 - 240 (GB) Volts [V]	220 - 240 (NZ) Volts [V]



Rated power input	1200 Watts [W]	1200 Watts [W]	1200 Watts [W]	1200 Watts [W]
Maximum load on built-in power outlet for electric tools (if fitted)	2400 Watts [W]	1100 Watts [W]	1800 Watts [W]	1200 Watts [W]
Electric supply connection (type)	H07 RNF 3G 1.5 mm ²	H07 RNF 3G 1.5 mm ²	H07 RNF 3G 1.5 mm ²	H07 RNF 3G 1.5 mm ²

4.3 Maximum volumetric flow rate and maximum vacuum

		VC 20-U	VC 20-UL	VC 20-UM	VC 20-UME
Maximum volumetric flow rate (air)	950 W	68 ℓ/s	•/•	•/•	•/•
	1100 W	68 ℓ/s	•/•	•/•	•/•
	1200 W	74 ℓ/s	•/•	•/•	•/•
Maximum volumetric flow rate (air)	1100 W	•/•	138 m ³ /h	138 m ³ /h	138 m ³ /h
	1200 W	•/•	150 m ³ /h	150 m ³ /h	150 m ³ /h
Maximum partial vacuum	950 W	235 hPa	•/•	•/•	•/•
	1100 W	230 hPa	209 hPa	209 hPa	209 hPa
	1200 W	253 hPa	253 hPa	253 hPa	253 hPa

		VC 40-U	VC 40-UL	VC 40-UM	VC 40-UME
Maximum volumetric flow rate (air)	950 W	68 ℓ/s	•/•	•/•	•/•
	1100 W	68 ℓ/s	•/•	•/•	•/•
	1200 W	74 ℓ/s	•/•	•/•	•/•
Maximum volumetric flow rate (air)	1100 W	•/•	138 m ³ /h	138 m ³ /h	138 m ³ /h
	1200 W	•/•	150 m ³ /h	150 m ³ /h	150 m ³ /h
Maximum partial vacuum	950 W	235 hPa	•/•	•/•	•/•
	1100 W	230 hPa	209 hPa	209 hPa	209 hPa
	1200 W	253 hPa	253 hPa	253 hPa	253 hPa

4.4 Noise and vibration information (measured in accordance with EN 60335)

The following information applies to all VC 20 and VC 40 industrial vacuum cleaners.

Emission sound pressure level (L _{pA})	73 dB(A)
Uncertainty for the sound pressure level (K _{pA})	2.5 dB(A)
Vibration emission value	< 2.5 m/s ²

5 Use of extension cords

WARNING

A damaged supply cord presents a hazard! Do not touch the supply cord or extension cord if damaged while working. Disconnect the supply cord plug from the power outlet.

- ▶ Check the appliance's supply cord at regular intervals and have it replaced by a qualified specialist if found to be damaged.
-
- Use only extension cords of a type approved for the application and with conductors of adequate cross-section. Otherwise the performance of the appliance may be affected and the cord may overheat.
 - Regularly check the extension cord for damage.
 - Replace damaged extension cords.
 - When working outdoors, use only extension cords that are approved and correspondingly marked for this application.



Recommended minimum conductor cross-section and maximum supply cord length for 120V supply voltage

Cord	AWG 16	AWG 14	AWG 12	AWG 10
Conductor cross-section	1,31 mm ²	2,08 mm ²	3,31 mm ²	5,26 mm ²
Conductor cross-section	2,58 kcmil	4,11 kcmil	6,53 kcmil	10,4 kcmil
Cord length	25 m	30 m	50 m	100 m
Cord length	75 ft	100 ft	150 ft	250 ft

6 Before use

DANGER

Electrical hazards. Fatal or serious injury may result if the vacuum cleaner is not correctly connected to the electric supply.

- ▶ Connect the vacuum cleaner only to a properly earthed/grounded power source.

CAUTION

Risk of injury presented by the appliance running away out of control. The vacuum cleaner may run away out of control if the wheel brakes are not engaged.

- ▶ Engage the wheel brakes so that the vacuum cleaner stands securely.

6.1 Operating the appliance for the first time



Plastic dust bag: For collecting harmless dust types:

Plastic dust bag for mineral dust or paper dust bag for wood chips:

- > Class M for picking up dust types with an exposure limit value of ≥ 0.1 mg/m³
- > Class L or M for picking up dust types with an exposure limit value of ≥ 1 mg/m³

1. Open the two catches.
2. Lift the vacuum cleaner top section away from the waste material container.
3. Remove the accessories and packaging from the waste material container.
4. Fit the vacuum cleaner top section onto the waste material container and close the two catches.
5. Check to ensure that the vacuum cleaner top section is fitted correctly and secured.
6. Connect the suction hose to the appliance.

6.2 Fitting a paper dust bag for picking up wood chips



Sharp pointed objects may pierce through the dust bag.

Check that no objects have pierced through the dust bag.

1. Disconnect the supply cord plug from the power outlet.
2. Open the two catches.
3. Lift the suction head off the waste material container.
4. Fit the new paper dust bag into the adapter and insert these in the waste material container.
5. Fit the vacuum cleaner top section onto the waste material container.
6. Close the two catches.
7. Check to ensure that the vacuum cleaner top section is fitted correctly and secured.
8. Connect the suction hose to the appliance.

6.3 Fitting a plastic dust bag

1. Disconnect the supply cord plug from the power outlet.
2. Open the two catches.
3. Lift the suction head off the waste material container.
4. Fit a new plastic dust bag (see instructions printed on it) in the waste material container.
5. Set the suction head on the waste material container and close the two catches.



WARNING

Risk of injury. Damage to the filter system may allow harmful dust (health hazard) to escape.

- ▶ In an emergency (e.g. filter ruptured), switch the vacuum cleaner off, unplug the supply cord from the power outlet and have the vacuum cleaner checked by a trained and qualified person before further use.
-

DANGER

Risk of injury. Class L and Class M vacuum cleaners contain dust that is hazardous to the health.

- ▶ Emptying and maintenance, including disposal of the dust collection container, may be carried out only by trained and qualified specialists. Wear the appropriate protective equipment.
 - ▶ Before removing the vacuum cleaner from an area contaminated with hazardous substances, use the vacuum cleaner to clean off its own exterior, wipe it clean or place it in a sealed bag or container. As all parts of the appliance must be considered to be contaminated, suitable measures to avoid spreading the dust must be implemented before these parts are removed from the hazardous area.
 - ▶ Never operate the vacuum cleaner without the complete filter system fitted.
-

CAUTION

Risk of injury presented by the appliance running away out of control. The vacuum cleaner may run away out of control if the wheel brakes are not engaged.

- ▶ Engage the wheel brakes so that the vacuum cleaner stands securely.
-

7.1 Setting the hose diameter on UM and UME vacuum cleaners

1. When picking up dry, non flammable dust which has an exposure limit value, or when picking up wood chips or shavings, adjust the hose diameter setting switch to the correct diameter setting for the suction hose used.
2. Set the switch to the smallest hose diameter if you are using the vacuum cleaner with a **Hilti** hollow drill bit system.

7.2 Operation without use of the electric tool power outlet

1. Check that the switch on the appliance is in the "OFF" position off before plugging the supply cord into a power outlet.
2. Plug the vacuum cleaner's supply cord into the power outlet.
3. Turn the control switch to the "ON" position.

7.3 Operation with use of the power outlet on the appliance

i The power outlet on the appliance is to be used only for powering electric tools directly from the vacuum cleaner.

The operating instructions and safety instructions for the electric tool plugged into the power outlet on the vacuum cleaner must be observed.

1. Unplug the vacuum cleaner's supply cord from the power outlet.
 2. Check that the maximum power drawn by the electric tool is below the maximum permissible output of the power outlet on the vacuum cleaner (please refer to the "Technical data" section of the operating instructions and information printed at the power outlet on the appliance).
 3. Check to ensure that the electric tool is switched off before plugging its supply cord into the power outlet.
 4. Plug the electric tool's supply cord into the power outlet on the vacuum cleaner.
 5. Plug the vacuum cleaner's supply cord into the power outlet.
 6. Turn the control switch to the "Auto" position.
 7. Switch on the power tool.
-

i The vacuum cleaner will continue to run for a short time after switching off the electric tool in order to ensure that all dust is removed from the suction hose.



7.4 Picking up dry dust

Before picking up dry dust, especially dust from mineral materials, always check to ensure that the correct dust bag is fitted in the container. The material picked up by the vacuum cleaner can then be disposed of cleanly and easily.

CAUTION

Risk of injury. Hazardous material that has been picked up may escape if a filter element is not used.

- ▶ Never use the appliance without a filter element.
- ▶ Check that the filter element is dry and that the correct type of dust bag is fitted.

7.5 Picking up liquids

CAUTION

Risk of injury. Hazardous material that has been picked up may escape if a filter element is not used.

- ▶ Never use the appliance without a filter element.
1. Check the container level monitoring system. → page 12
 2. If possible, use a separate filter element for wet applications.

The **Hilti VC 20/40 universal (2121387)** filter is recommended.

3. After picking up liquids, open the two catches.
4. Lift the vacuum cleaner top section away from the waste material container and place it on a level surface so that the filter element can dry.
5. Empty the waste material container and use a water hose to rinse it out. Use a brush to clean the electrodes and clean the filter element, after allowing it to dry, by wiping it off with your hand.
6. Allow the waste material container to dry.

7.6 After use of the vacuum cleaner

1. Switch off the electric tool.
2. Turn the vacuum cleaner control switch to the "OFF" position.
3. Unplug the vacuum cleaner's supply cord from the power outlet.
4. Coil up the supply cord and hang it on the hook.
5. Empty the container and clean the appliance by wiping it with a damp cloth.
6. Coil up the suction hose.
7. Store the vacuum cleaner in a secure, dry place where it is inaccessible to unauthorized users.

7.7 Emptying dry dust from the waste material container

1. Unplug the supply cord from power outlet.
2. Lift the vacuum cleaner top section away from the waste material container and place it on a level surface.
 - ↳ **Applicable to UM and UME vacuum cleaners**
 - ▶ Remove the dust bag from the waste material container.
 - ↳ **Applicable to U and UL vacuum cleaners**
 - ▶ Remove the dust bag from the waste material container or grip the container by the recess provided and empty it by tipping out the contents.
3. Then fit the vacuum cleaner top section onto the waste material container and close the two catches.

7.8 Emptying the waste material container when no dust bag is fitted (picking up liquids)

1. Disconnect the supply cord plug from the power outlet.
2. Lift the vacuum cleaner top section away from the waste material container and place it on a level surface.
3. Grip the waste material container by the recess provided and empty it by tipping out the contents.
4. Clean the edge of the waste material container with a cloth.
5. Fit the vacuum cleaner top section onto the waste material container and close the two catches.



8 Care and maintenance

8.1 Care and maintenance of the appliance

WARNING

Electrical hazards. Improper repairs to electrical parts may lead to serious injuries.

- ▶ Electrical parts may be repaired only by trained electrical specialists.
- ▶ Keep the appliance, especially its grip surfaces, clean and free from oil and grease. Do not use cleaning agents containing silicone.
- ▶ Never operate the vacuum cleaner when the air vents are blocked. Clean the air vents carefully using a dry brush. Do not permit foreign objects to enter the interior of the appliance.
- ▶ Clean the outer surfaces of the appliance with a slightly damp cloth at regular intervals. Do not use a spray system, pressure jet washer or running water for cleaning as this may negatively affect the electrical safety of the appliance.

Applicable to UL, UM and UME vacuum cleaners

The appliance must be handled for cleaning and maintenance in a way that avoids exposing maintenance personnel and other persons to any hazards.

- ▶ Use filtered forced ventilation.
- ▶ Wear personal protective equipment.
- ▶ Clean the maintenance area in a way that prevents hazardous substances escaping into the surrounding environment.
- ▶ Vacuum off the outer surfaces of the appliance and wipe it clean or seal it in a suitable container, e.g. large plastic bag, before removing it from an area contaminated with hazardous substances. This will help to avoid distribution of the hazardous dust deposited on it.
- ▶ When maintenance or repairs are carried out, all contaminated parts which cannot be satisfactorily cleaned must be packed in impermeable bags and disposed of in compliance with the applicable disposal regulations.
- ▶ The appliance must be subjected to a technical inspection by **Hilti** Service or a trained person at least once a year to check, for example, for damage to the filter, air leakage, and to ensure correct operation of controlling devices.

8.2 Automatic filter cleaning



Do not attempt to clean the filter element by knocking it against a hard object and do not use pointed instruments. This will reduce the life of the filter element.

Do not use compressed air to clean the filter element. This may cause tears in the filter material.

The condition of the filter element deteriorates with use.

- ▶ Replace the filter element at least every six months.
- ▶ However, if used intensively, the filter element should be replaced more often.

8.3 Changing the filter element

1. Disconnect the supply cord plug from the power outlet.
2. Open the filter cover catches.
3. Open the filter cover.
4. Carefully remove the filter element, gripping it at the areas provided in the holder.
5. Clean the sealing surface with a cloth.
6. Fit the new filter element.
7. Close the filter cover by flipping the cover catch forward.
8. Close the filter cover catch.

8.4 Checking the container level monitoring system

1. Engage the wheel brakes so that the vacuum cleaner stands securely.
2. Disconnect the supply cord plug from the power outlet.
3. Open the two catches.
4. Lift the vacuum cleaner top section away from the waste material container and place it on a level surface.
5. Check the cut-out contacts and clean them with a brush if necessary (if dirty).



6. Check the seal at the vacuum cleaner top section and clean it with a cloth if necessary.
7. Fit the vacuum cleaner top section onto the waste material container and close the two catches.

8.5 Checks after cleaning and maintenance

1. After cleaning or carrying out maintenance, check that the vacuum cleaner is assembled correctly and that it functions faultlessly.
2. Test each of the functions.

9 Transport and storage

9.1 Transport

Do not carry the appliance when it is full of waste material.

The appliance may not be lifted directly by crane.

- ▶ Remove the power conditioner (if applicable) or loose accessory tools from the holder.
- ▶ Empty the appliance before carrying it to another location.
- ▶ Do not tip the appliance or transport it lying on its side after using it to pick up liquids.
- ▶ Use the tapered adapter to connect both ends of the hose together conveniently for transport.

Applicable to **UM** and **UME** vacuum cleaners



Risk of injury. Hazardous material that has been picked up may escape through the suction hose inlet socket.

- ▶ Close the hose inlet socket on a Class M vacuum cleaner with the cap provided before transportation and when the appliance is not in use.

9.2 Storage

- ▶ Store the vacuum cleaner in a secure, dry place where it is inaccessible to unauthorized users.

10 Troubleshooting

If the trouble you are experiencing is not listed in this table or you are unable to remedy the problem by yourself, please contact **Hilti** Service.

10.1 Troubleshooting table

Malfunction	Possible cause	Action to be taken
UM and UME vacuum cleaners: Acoustic warning signal (reduced suction power)	The dust bag is full.	▶ Change the dust bag.
	The filter element is clogged with dirt or dust.	▶ If the automatic filter cleaning system is deactivated, activate it and allow the vacuum cleaner to run for 30 seconds.
	The suction hose or dust hood on the electric tool is blocked.	▶ Clean the suction hose and the dust hood.
	The hose diameter setting is incorrect.	▶ Set the hose diameter. ▶ For applications with a hollow drill bit, select a hose diameter of 15 mm.
Dust is blown out of the appliance.	The filter element is not fitted correctly.	▶ Fit the filter element again correctly.
	The filter element is damaged.	▶ Fit a new filter element.
The appliance switches itself off or on inadvertently or static electricity discharges through the user.	Electrostatic charge is not conducted away – the appliance is connected to an unearthed/ungrounded power outlet.	▶ Connect the appliance to an earthed/grounded power outlet and use an antistatic suction hose.



Malfunction	Possible cause	Action to be taken
The appliance doesn't start or switches itself off after a short time.	The water level cut-out is activated.	<ul style="list-style-type: none"> ▶ Clean the sensors and the area around the sensors with a brush.
The motor doesn't restart.	The mains circuit breaker has been tripped.	<ul style="list-style-type: none"> ▶ Reset the circuit breaker. ▶ Find the reason for the overload current if the circuit breaker trips again.
	The waste material container is full.	<ul style="list-style-type: none"> ▶ Switch the appliance off and empty the waste material container.
	The motor overheating protection cut-out has been activated.	<ul style="list-style-type: none"> ▶ Switch the appliance off and allow it to cool down for about 5 minutes. ▶ If the motor doesn't start, return the appliance to Hilti Service.
	The motor is repeatedly switched off by its thermal cut-out.	<ul style="list-style-type: none"> ▶ Clean the air vents carefully using a dry brush.
The motor doesn't run when set to "AUTO".	The appliance is faulty or is not correctly plugged in.	<ul style="list-style-type: none"> ▶ Make sure that the supply cord plug is fully plugged in and check that the appliance functions correctly.
The automatic filter element cleaning system doesn't work.	No suction hose is connected.	<ul style="list-style-type: none"> ▶ Connect the suction hose.

11 Disposal

Most of the materials from which **Hilti** products are manufactured can be recycled. The materials must be correctly separated before they can be recycled. In many countries, your old tools, machines or appliances can be returned to **Hilti** for recycling. Ask **Hilti Service** or your **Hilti** representative for further information.

In accordance with the European Directive on waste electrical and electronic equipment and its implementation in conformance with national law, electric tools or appliances that have reached the end of their life must be collected separately and returned to an environmentally compatible recycling facility.



- ▶ Do not dispose of electric appliances together with household waste.

Drilling slurry

Disposal of drilling slurry directly into rivers, lakes or the sewerage system without suitable pretreatment presents environmental problems.

- ▶ Ask the local public authorities for information about current regulations.

We recommend the following pretreatment:

- ▶ Collect the drilling slurry (for example, using a wet-type vacuum cleaner).
- ▶ Allow the drilling slurry to settle and dispose of the solid material at a construction waste disposal site (addition of a flocculent may accelerate the settling process).
- ▶ The remaining water (alkaline, pH value greater than 7) must be neutralized by the addition of an acidic neutralizing agent or diluted with a large volume of water before it is allowed to flow into the sewerage system.

Drilling dust

- ▶ Dispose of the drilling dust collected by the vacuum cleaner in accordance with the applicable national regulations.

12 Manufacturer's warranty

- ▶ Please contact your local **Hilti** representative if you have questions about the warranty conditions.



1 Indications relatives à la documentation

1.1 À propos de cette documentation

- Lire intégralement la présente documentation avant la mise en service. C'est la condition préalablement requise pour assurer la sécurité du travail et un maniement sans perturbations.
- Bien respecter les consignes de sécurité et les avertissements de la présente documentation ainsi que celles figurant sur le produit.
- Toujours conserver le mode d'emploi à proximité du produit et uniquement le transmettre à des tiers avec ce mode d'emploi.

1.2 Explication des symboles

1.2.1 Avertissements

Les avertissements attirent l'attention sur des dangers liés à l'utilisation du produit. Les termes de signalisation suivants sont utilisés :



DANGER !

- ▶ Pour un danger imminent qui peut entraîner de graves blessures corporelles ou la mort.



AVERTISSEMENT !

- ▶ Pour un danger potentiel qui peut entraîner de graves blessures corporelles ou la mort.



ATTENTION !

- ▶ Pour attirer l'attention sur une situation pouvant présenter des dangers entraînant des blessures corporelles légères ou des dégâts matériels.

1.2.2 Symboles dans la documentation

Les symboles suivants sont utilisés dans nos documentations :

	Lire le mode d'emploi avant d'utiliser l'appareil
	Pour des conseils d'utilisation et autres informations utiles
	Maniement des matériaux recyclables
	Ne pas jeter les appareils électriques et les accus dans les ordures ménagères

1.2.3 Symboles dans les illustrations

Les symboles suivants sont utilisés dans nos illustrations :

	Ces chiffres renvoient à l'illustration correspondante au début du présent mode d'emploi
	La numérotation détermine la séquence des étapes de travail dans l'image et peut se différencier de celles des étapes de travail dans le texte
	Les numéros de position sont utilisés dans l'illustration Vue d'ensemble et renvoient aux numéros des légendes dans la section Vue d'ensemble du produit
	Ce signe doit inviter à manier le produit en faisant particulièrement attention.
	Transmission de données sans fil

1.2.4 Symboles supplémentaires

Les symboles suivants sont utilisés sur le produit :





Transport par pont roulant ou grue interdit

1.3 Symboles spécifiques au produit

1.3.1 Symboles sur le produit

Les symboles suivants sont utilisés sur le produit :



Avertissement, risque de surfaces chaudes



Transport par pont roulant ou grue interdit

1.4 Étiquette spéciale sur le produit

Pour les aspirateurs UL



AVERTISSEMENT : Cet appareil contient des poussières dangereuses pour la santé. La vidange et l'entretien de l'appareil, y compris l'enlèvement du sachet de poussière, sont des opérations exclusivement réservées à des spécialistes porteurs d'un équipement de protection personnel approprié. Ne pas enclencher l'appareil tant que le système de filtration n'a pas été installé.

Pour les aspirateurs UM et UME



AVERTISSEMENT : Cet appareil contient des poussières dangereuses pour la santé. La vidange et l'entretien de l'appareil, y compris l'enlèvement du sachet de poussière, sont des opérations exclusivement réservées à des spécialistes porteurs d'un équipement de protection personnel approprié. Ne pas enclencher l'appareil tant que le système de filtration n'a pas été installé au complet et que le bon fonctionnement du contrôleur de débit n'a pas été vérifié.

1.5 Informations produit

Les produits sont destinés aux professionnels et ne doivent être utilisés, entretenus et réparés que par un personnel autorisé et formé. Ce personnel doit être spécialement instruit quant aux dangers inhérents à l'utilisation de l'appareil. Le produit et ses accessoires peuvent s'avérer dangereux s'ils sont utilisés de manière incorrecte par un personnel non qualifié ou de manière non conforme à l'usage prévu. La désignation du modèle et le numéro de série figurent sur sa plaque signalétique.

- Inscrivez le numéro de série dans le tableau suivant. Les informations produit vous seront demandées lorsque vous contactez nos revendeurs ou services après-vente.

Caractéristiques produit

Aspirateur de déchets secs et liquides	VC 20-U VC 20-UL VC 20-UM VC 20-UME VC 40-U VC 40-UL VC 40-UM VC 40-UME
Génération	02
N° de série	

1.6 Déclaration de conformité

Nous déclarons sous notre seule et unique responsabilité que le produit décrit ici est conforme aux directives et normes en vigueur. Une copie de la Déclaration de conformité se trouve en fin de la présente documentation.



2 Sécurité

2.1 Indications générales de sécurité

Outre les consignes techniques de sécurité indiquées dans les différents chapitres du présent mode d'emploi, il y a lieu de toujours respecter strictement les directives suivantes.

- ▶ **Toutes les remarques doivent être lues attentivement !** Le non-respect des remarques suivantes peut entraîner une électrocution, un incendie et/ou des blessures importantes.
- ▶ **Si l'appareil est utilisé avec un outil électroportatif, avant toute utilisation, lire impérativement les instructions du mode d'emploi de l'outil électroportatif et observer toutes les consignes qui y figurent.**
- ▶ **Toute manipulation ou modification de l'appareil est interdite.**
- ▶ **Utiliser l'appareil approprié. Ne pas utiliser l'appareil à des fins non prévues, mais seulement conformément aux spécifications et dans un excellent état.**
- ▶ **Avant la mise en service du produit, s'informer sur son maniement, les dangers engendrés par les matériaux et l'élimination en toute sécurité des matériaux aspirés.**
- ▶ **Prêter attention aux influences de l'environnement de l'espace de travail. Ne pas utiliser l'appareil dans des endroits présentant un danger d'incendie ou d'explosion.**
- ▶ **L'appareil doit uniquement être utilisé par des personnes qui connaissent bien l'appareil, ont été formées quant à son utilisation en toute sécurité et comprennent les dangers qui en résultent. L'appareil n'est pas destiné aux enfants.**
- ▶ **Conserver les appareils non utilisés en toute sécurité. Tous les appareils non utilisés doivent être rangés dans un endroit sec, en hauteur ou fermé à clé, hors de portée des enfants.**

2.2 Sécurité des personnes

- ▶ **Restez vigilant, surveillez ce que vous faites. Faites preuve de bon sens en utilisant le produit. N'utilisez pas l'aspirateur si vous êtes fatigué ou après avoir consommé de l'alcool, des drogues ou avoir pris des médicaments.** Un moment d'inattention lors de l'utilisation de l'appareil peut entraîner de graves blessures.
- ▶ **L'utilisateur et les personnes se trouvant à proximité pendant l'utilisation et l'entretien de l'appareil doivent porter des lunettes de protection adaptées, un casque de protection, un casque antibruit, des gants de protection, des chaussures de sécurité et un masque respiratoire léger.**
- ▶ **Pour assurer une bonne stabilité de l'aspirateur, utiliser les freins de roue.** Si les freins de roue sont desserrés, il y a risque que l'aspirateur se mette en mouvement de manière incontrôlée.
- ▶ **Si des dispositifs servant à aspirer ou à recueillir les poussières doivent être utilisés, s'assurer qu'ils sont effectivement raccordés et correctement utilisés.** L'utilisation d'un dispositif d'aspiration peut réduire les risques dus aux poussières.

2.3 Utilisation et emploi soigneux de l'appareil

- ▶ **Ne jamais laisser l'appareil sans surveillance.**
- ▶ **Ne pas désactiver le nettoyage de filtre automatique en cours d'aspiration de poussières dangereuses en particulier si des outils électroportatifs générant des poussières sont utilisés.**
- ▶ **Protéger l'appareil du gel.**
- ▶ **Nettoyer régulièrement le dispositif de jaugeage d'eau à l'aide d'une brosse et vérifier qu'il ne présente pas de signes d'endommagements.**
- ▶ **Lors de la mise en place de la tête aspirante, veiller à ne pas se coincer et à ne pas endommager le câble d'alimentation réseau.** Il y a risque de blessures et d'endommagement.
- ▶ **Vérifier que l'appareil et l'accessoire ne présentent pas d'éventuels dommages. Avant toute autre utilisation, les dispositifs de sécurité et les pièces légèrement endommagées doivent être soigneusement contrôlés pour garantir un excellent fonctionnement, conforme aux spécifications. Vérifier que toutes les pièces mobiles fonctionnent parfaitement et ne coincent pas, et que les pièces ne sont pas abîmées. Toutes les pièces doivent être montées correctement et remplir toutes les conditions propres à garantir le parfait fonctionnement de l'appareil.**
- ▶ **L'appareil doit uniquement être réparé par un personnel qualifié et seulement avec des pièces de rechange d'origine.** Ceci permet d'assurer la sécurité de l'appareil.



- ▶ Toujours débrancher la fiche d'alimentation de la prise lorsque l'appareil n'est pas utilisé (pendant les pauses), avant le nettoyage et l'entretien, le remplacement de pièces d'accessoires ou le changement de filtre. Cette mesure de précaution empêche une mise en fonctionnement par mégarde de l'appareil.
- ▶ Ne jamais tirer l'aspirateur par le câble d'alimentation réseau dans une autre position de travail. Ne pas rouler avec l'aspirateur sur le câble d'alimentation.
- ▶ Ne jamais transporter l'appareil à l'aide d'une grue.

En outre pour les aspirateurs UM et UME

- ▶ Pour le transport ou si l'appareil n'est pas utilisé, obturer le raccord d'admission avec le manchon d'obturation.

2.4 Sécurité relative au système électrique

- ▶ La fiche de secteur de l'appareil doit être appropriée à la prise de courant. Ne jamais modifier la fiche de quelque façon que ce soit. Ne pas utiliser de fiches d'adaptateur avec des appareils avec mise à la terre. Les fiches non modifiées et les prises de courant appropriées réduisent le risque de choc électrique.
- ▶ Brancher la fiche dans une prise appropriée, convenablement mise à la terre, installée en toute sécurité et conforme à toutes les exigences locales. S'il n'est pas certain que la prise est bien mise à la terre, la faire vérifier par un électricien qualifié.
- ▶ Éviter le contact physique avec des surfaces mises à la terre tels que tuyaux, radiateurs, cuisinières et réfrigérateurs. Il y a un risque élevé de choc électrique au cas où votre corps serait relié à la terre.
- ▶ Ne pas exposer l'appareil à la pluie ou à l'humidité. La pénétration d'eau dans un appareil électrique augmente le risque d'un choc électrique.
- ▶ S'assurer que le câble d'alimentation secteur ne repose pas dans des flaques.
- ▶ Contrôler régulièrement les câbles de raccordement de l'appareil et les faire remplacer par un S.A.V. Hilti s'ils sont endommagés. Contrôler régulièrement les câbles de rallonge et les remplacer s'ils sont endommagés.
- ▶ Si le cordon d'alimentation secteur et/ou le câble de rallonge sont endommagés pendant le travail, ne pas les toucher. Débrancher la fiche de la prise. Tous cordons d'alimentation secteur et câbles de rallonge endommagés représentent un danger d'électrocution.
- ▶ Le câble d'alimentation doit uniquement être remplacé par un câble conforme au type indiqué dans le présent mode d'emploi.
- ▶ Ne pas utiliser le câble à d'autres fins que celles prévues, ne pas utiliser le câble pour porter l'appareil ou pour l'accrocher ou encore pour le débrancher de la prise de courant. Maintenir le câble éloigné des sources de chaleur, des parties grasses, des bords tranchants ou des parties de l'appareil en rotation. Un câble endommagé ou torsadé augmente le risque d'un choc électrique.
- ▶ Si l'appareil électrique est utilisé à l'extérieur, utiliser uniquement une rallonge homologuée pour les applications extérieures. L'utilisation d'une rallonge électrique homologuée pour les applications extérieures réduit le risque d'un choc électrique.
- ▶ En cas de coupure de courant, arrêter l'appareil et retirer la fiche de la prise de courant.
- ▶ N'utiliser la prise intégrée pour branchement d'appareils électriques qu'à des fins spécifiées dans le mode d'emploi.
- ▶ Ne jamais faire fonctionner l'appareil s'il est encrassé ou mouillé. Dans de mauvaises conditions d'utilisation, la poussière collée à la surface de l'appareil, surtout la poussière de matériaux conducteurs, ou l'humidité, peut entraîner une électrocution. C'est pourquoi il convient de faire réviser les appareils encrassés par le S.A.V. Hilti à intervalles réguliers, surtout s'ils sont utilisés sur des matériaux conducteurs.

2.5 Place de travail

- ▶ Veiller à ce que l'espace de travail soit bien éclairé.
- ▶ Veiller à ce que le poste de travail soit bien ventilé. Des places de travail mal ventilées peuvent nuire à la santé du fait de la présence excessive de poussière.
- ▶ Laisser le poste de travail en ordre. Débarrasser le poste de travail de tous objets susceptibles de blesser. Un désordre sur le lieu de travail peut provoquer des accidents.
- ▶ Ne pas utiliser l'appareil dans un environnement présentant des risques d'explosion et où se trouvent des liquides, des gaz ou poussières inflammables. Les appareils électriques génèrent des étincelles risquant d'enflammer les poussières ou les vapeurs.
- ▶ Redoubler d'attention lors d'interventions sur des escaliers.



2.6 Matériau aspiré

- ▶ Il est interdit d'aspirer des poussières nuisibles à la santé, inflammables et/ou explosives (poussières de magnésium-aluminium, etc.). Les matériaux qui sont plus chauds que 60 °C (140 °F) ne doivent pas être aspirés (p. ex. cigarettes mal éteintes, cendres chaudes).
- ▶ Il est interdit d'aspirer des liquides inflammables, explosifs, agressifs (agents réfrigérants et lubrifiants, essence, solvants, acides (pH < 5), lessives alcalines (pH > 12,5), etc.).
- ▶ Arrêter immédiatement l'appareil si de la mousse ou des liquides en sortent.
- ▶ Porter des gants de protection lors de l'aspiration de matériaux brûlants jusqu'à une température max. de 60 °C (140 °F).
- ▶ Lors de travaux avec boues de forage minérales, porter des vêtements de protection et éviter tout contact avec la peau (pH > 9 corrosif).
- ▶ Éviter tout contact avec des liquides basiques ou acides. En cas de contact par mégarde, rincer soigneusement avec de l'eau. Si le liquide rentre dans les yeux, les rincer abondamment à l'eau et consulter en plus un médecin.

En outre pour les aspirateurs UL

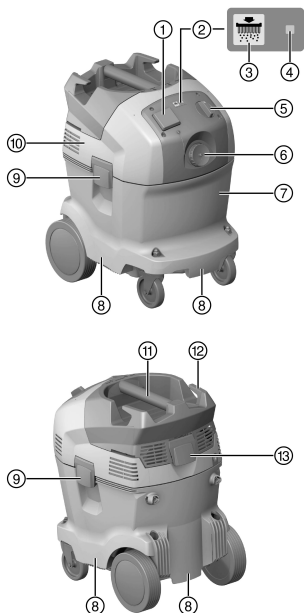
- ▶ Dans la classe de poussières L, l'appareil convient pour aspirer des poussières sèches, non inflammables, des copeaux de bois et des poussières nocives ayant des valeurs limites d'exposition > 1 mg/m³. **L'appareil doit être équipé avec les filtres appropriés en fonction de la dangerosité des poussières à aspirer.**

En outre pour les aspirateurs UM et UME

- ▶ Dans la classe de poussières M, l'appareil convient pour aspirer des poussières sèches, non inflammables, des copeaux de bois et des poussières nocives ayant des valeurs limites d'exposition \geq 0,1 mg/m³. **L'appareil doit être équipé avec les filtres appropriés en fonction de la dangerosité des poussières à aspirer.**

3 Description

3.1 Vue d'ensemble du produit



- ① Prise de l'appareil
- ② Nettoyage automatique du filtre
- ③ Touche « Nettoyage de filtre Activé / Désactivé » (seulement UL et UME)
- ④ Indication de l'état « Nettoyage de filtre automatique »
- ⑤ Commutateur de l'appareil
- ⑥ Raccord d'entrée
- ⑦ Cuve de récupération de saletés
- ⑧ Poignée encastrée
- ⑨ Brides de fermeture
- ⑩ Tête aspirante
- ⑪ Poignée
- ⑫ Crochet pour câble
- ⑬ Brides de fermeture pour couvercle de filtre



3.2 Utilisation conforme à l'usage prévu

Les produits décrits ici sont des aspirateurs industriels universels destinés à un usage professionnel. Ils peuvent être utilisés pour des applications sèches et humides.

Il est interdit d'utiliser ce produit pour aspirer sur des êtres humains ou des animaux. Toute utilisation en immersion est interdite.

AVERTISSEMENT

Mise en danger de la santé ! Les aspirateurs U ne sont pas conçus pour aspirer des poussières nocives pour la santé.

- ▶ Avec ces modèles, ne pas aspirer de poussières nocives pour la santé.
- ▶ Avant la mise en service du produit, s'informer sur son maniement, les dangers engendrés par les matériaux et l'élimination en toute sécurité des matériaux aspirés.
- ▶ Ne pas utiliser le produit dans des installations à fonctionnement continu, automatique ou semi-automatique.
- ▶ Utiliser uniquement des accessoires et outils **Hilti** d'origine, pour éviter tout risque de blessure.
- ▶ Pour éviter tout effet électrostatique, utiliser un flexible d'aspiration antistatique.
- ▶ N'aspirer aucun objet susceptible de provoquer des blessures à travers le sac à poussières (tel qu'un matériau pointu ou tranchant).
- ▶ Ne pas utiliser le produit comme escabeau.

Ce produit est destiné à un usage professionnel pour les applications suivantes :

- Aspiration de grandes quantités de poussières avec meules diamantées, tronçonneuses, perforateurs-burineurs et des couronnes pour forage à sec **Hilti**.
- Aspiration de boues de forage minérales avec meules diamantées **Hilti** resp. scies diamantées **Hilti** et du matériau liquide aspiré jusqu'à une température < 60 °C (140 °F).
- Aspiration d'huiles et de fluides jusqu'à une température < 60 °C (140 °F).
- Nettoyage à sec et par voie humide de surfaces murales et au sol

En outre pour les aspirateurs UL

Aspiration de poussières sèches, non inflammables, de liquides, de copeaux de bois et de poussières nocives ayant des valeurs limites d'exposition > 1 mg/m³ (classe de poussières L).

En outre pour les aspirateurs UM et UME

Aspiration de poussières sèches, non inflammables, de liquides, de copeaux de bois et de poussières nocives ayant des valeurs limites d'exposition \geq 0,1 mg/m³ (classe de poussières M).

En outre pour les aspirateurs UL, UM et UME

Pour le dépoussiérage, il est indispensable de prévoir un taux de renouvellement d'air L suffisant dans le local si l'évacuation d'air se fait dans le local. Respecter les dispositions légales nationales.

3.3 Mauvaise utilisation possible

- L'aspirateur industriel ne doit pas être utilisé en position couchée.
- L'aspirateur industriel ne doit pas être utilisé pour aspirer des substances explosives, incandescentes, brûlantes ou inflammables, ni poussières agressives (p. ex. poussières de magnésium-aluminium, etc.) (exception : copeaux de bois).
- L'aspirateur industriel ne doit pas être utilisé pour aspirer des liquides inflammables (p. ex. essence, solvants, acides, agents réfrigérants et lubrifiants, etc.).
- Ne pas travailler sur des matériaux susceptibles de nuire à la santé (par ex. amiante).

3.4 Éléments fournis

Aspirateur de déchets secs et liquides avec cartouche filtrante, tuyau d'aspiration complet avec manchon tournant (côté aspirateur) et manchon à outil, sac à poussières en plastique PE VC 20/40, mode d'emploi.

3.5 Signal d'avertissement acoustique

Les aspirateurs UM et UME sont dotés d'un signal d'avertissement acoustique. Celui-ci retentit pour des raisons de sécurité, si la vitesse de l'air dans le tuyau d'aspiration est inférieure à 20 m/s.

Pour que le signal d'avertissement se déclenche correctement, le diamètre du flexible d'aspiration doit être adapté au flexible d'aspiration utilisé.



3.6 Nettoyage de filtre automatique

L'appareil dispose d'une fonction de nettoyage de filtre automatique, qui permet d'éliminer le maximum de poussière adhérente à la cartouche filtrante.

Appuyer sur la touche «Nettoyage de filtre automatique Activé/ Désactivé» pour désactiver le nettoyage de filtre et réappuyer pour le réactiver.

État	Signification
LED allumée.	<ul style="list-style-type: none"> Le nettoyage de filtre est activé.
LED non allumée.	<ul style="list-style-type: none"> Le nettoyage de filtre est désactivé.

Au démarrage de l'aspirateur, le nettoyage de filtre est automatiquement activé.

La cartouche filtrante est automatiquement nettoyée par un souffle d'air (bruit pulsatif).



En cas d'applications système (en particulier en cas de meulage, tronçonnage et rainurage) ou d'aspiration de quantités de poussières plus importantes, le nettoyage de filtre doit être activé, afin d'assurer une puissance d'aspiration élevée durable.

Le nettoyage de filtre fonctionne uniquement si le flexible d'aspiration est raccordé.

3.7 Indications relatives à l'utilisation

Accessoires et leur mode d'utilisation

Accessoires	Type d'application
Sac à poussières en plastique PE VC 20 (203854)	applications minérales, humides et sèches
Sac à poussières en plastique PE VC 40 (203852)	applications minérales, humides et sèches
Sac à poussières en papier VC 20 (203858)	applications sur bois
Sac à poussières en papier VC 40 (203856)	applications sur bois
Filtre VC 20/40 sec (2121386)	sèches
Filtre VC 20/40 universel (2121387)	universel, applications humides et sèches
Filtre VC 20/40 performance (2121388)	applications intensives humides et sèches
Flexible d'aspiration 27 X 3,5m AS	humides et sèches
Flexible d'aspiration 36 mm	essentiellement humide, pas d'application avec poussières
Flexible d'aspiration 36 X 5m AS	humides et sèches

► Pour les aspirateurs UM et UME, utiliser impérativement un sac à poussières en plastique ou en papier.

4 Caractéristiques techniques

4.1 Aspirateur de déchets secs et liquides

	VC 20	VC 40
Dimensions (L x l x h en mm)	505 x 380 x 500	505 x 380 x 610
Poids selon la procédure EPTA 01	13,0 kg	14,7 kg
Volume de cuve	21 ℓ	36 ℓ
Volume de poussières utile	23 kg	40 kg
Quantité de remplissage d'eau	13,5 ℓ	25 ℓ
Température de service	-10 °C ... 40 °C	-10 °C ... 40 °C
Nettoyage de filtre automatique – Tous	15 s	15 s
Classe de protection	I	I
Classe de protection	IP X4	IP X4
Fréquence du secteur	50 Hz ... 60 Hz	50 Hz ... 60 Hz



4.2 Tension de référence

i En cas d'utilisation avec un groupe électrogène ou un transformateur, leur puissance d'alimentation doit être au moins égale au double de la puissance indiquée sur la plaque signalétique de l'appareil. La tension de service du groupe électrogène ou du transformateur doit être à tout moment comprise entre +5 % et -15 % de la tension nominale de l'appareil.

•/•	100 Volt [V]	110 Volt [V]	110 Volt [V]	200 Volt [V]
Puissance absorbée de référence	1200 Watt [W]	1100 Watt [W]	1100 Watt [W]	950 Watt [W]
Puissance connectée de la prise de l'appareil intégrée pour outil électroporatif (si existante)	•/•	1600 Watt [W]	•/•	•/•
Alimentation secteur (type)	VCTF 3 x 2,0 mm ²	A07 QQF 3 / 12 AWG	H07 BQF 3G 1,5 mm ²	VCTF 3 x 2,0 mm ²
•/•	220 - 240 Volt [V]	220 - 240 (CH) Volt [V]	220 - 240 (GB) Volt [V]	220 - 240 (NZ) Volt [V]
Puissance absorbée de référence	1200 Watt [W]	1200 Watt [W]	1200 Watt [W]	1200 Watt [W]
Puissance connectée de la prise de l'appareil intégrée pour outil électroporatif (si existante)	2400 Watt [W]	1100 Watt [W]	1800 Watt [W]	1200 Watt [W]
Alimentation secteur (type)	H07 BQF 3G 1,5 mm ²	H07 BQF 3G 1,5 mm ²	H07 BQF 3G 1,5 mm ²	H07 BQF 3G 1,5 mm ²

4.3 Débit volumique maximal et dépression maximale

		VC 20-U	VC 20-UL	VC 20-UM	VC 20-UME
Débit volumique maximal (air)	950 W	68 l/s	•/•	•/•	•/•
	1100 W	68 l/s	•/•	•/•	•/•
	1200 W	74 l/s	•/•	•/•	•/•
Débit volumique maximal (air)	1100 W	•/•	138 m ³ /h	138 m ³ /h	138 m ³ /h
	1200 W	•/•	150 m ³ /h	150 m ³ /h	150 m ³ /h
Dépression maximale	950 W	235 hPa	•/•	•/•	•/•
	1100 W	230 hPa	209 hPa	209 hPa	209 hPa
	1200 W	253 hPa	253 hPa	253 hPa	253 hPa

		VC 40-U	VC 40-UL	VC 40-UM	VC 40-UME
Débit volumique maximal (air)	950 W	68 l/s	•/•	•/•	•/•
	1100 W	68 l/s	•/•	•/•	•/•
	1200 W	74 l/s	•/•	•/•	•/•
Débit volumique maximal (air)	1100 W	•/•	138 m ³ /h	138 m ³ /h	138 m ³ /h
	1200 W	•/•	150 m ³ /h	150 m ³ /h	150 m ³ /h
Dépression maximale	950 W	235 hPa	•/•	•/•	•/•
	1100 W	230 hPa	209 hPa	209 hPa	209 hPa
	1200 W	253 hPa	253 hPa	253 hPa	253 hPa

4.4 Valeurs de bruit et de vibrations (mesurées selon EN 60335)

Les indications suivantes s'appliquent à tous les aspirateurs industriels VC 20 et VC 40.



Niveau de pression acoustique d'émission (L_{pA})	73 dB(A)
Incertitude sur le niveau de pression acoustique (K_{pA})	2,5 dB(A)
Valeur des émissions vibratoires	< 2,5 m/s ²

5 Utilisation de rallonges électriques

AVERTISSEMENT

Danger engendré par un câble endommagé ! Si le câble d'alimentation réseau ou de rallonge est endommagé pendant le travail, ne pas le toucher. Débrancher la prise.

- ▶ Contrôler régulièrement les câbles de raccordement de l'appareil et les faire remplacer par un spécialiste s'ils sont endommagés.
-
- Utiliser uniquement des rallonges homologuées pour le domaine d'utilisation concerné et de section suffisante. Sinon, une perte de puissance de l'appareil et une surchauffe du câble risquent de se produire.
 - Vérifier régulièrement l'état de la rallonge électrique.
 - Remplacer les rallonges électriques endommagées.
 - À l'extérieur, n'utiliser que des rallonges homologuées et dotées du marquage adéquat.

Sections minimales recommandées et longueurs maximales de câbles pour une tension secteur de 120 V

Câble	AWG 16	AWG 14	AWG 12	AWG 10
Section des conducteurs	1,31 mm ²	2,08 mm ²	3,31 mm ²	5,26 mm ²
Section des conducteurs	2,58 kcmil	4,11 kcmil	6,53 kcmil	10,4 kcmil
Longueur du câble	25 m	30 m	50 m	100 m
Longueur du câble	75 ft	100 ft	150 ft	250 ft

6 Mise en service

DANGER

Danger d'électrocution. Si l'aspirateur n'est pas correctement branché, il y a risque de mort ou de blessures graves.

- ▶ L'aspirateur doit exclusivement être branché à une source d'alimentation mise à la terre.

ATTENTION

Risque de blessures du fait de mouvements incontrôlés ! Si les freins de roue sont desserrés, il y a risque que l'aspirateur se mette en mouvement de manière incontrôlée.

- ▶ Pour assurer une bonne stabilité de l'aspirateur, utiliser les freins de roue.

6.1 Première mise en service



Sac à poussières en plastique : Pour l'aspiration de poussières non dangereuses

Sac à poussières en plastique pour des poussières minérales ou sac à poussières en papier pour des copeaux de bois :

- > classe M pour aspirer des poussières aux valeurs limites d'exposition $\geq 0,1 \text{ mg/m}^3$
- > classe L ou M pour aspirer des poussières aux valeurs limites d'exposition $> 1 \text{ mg/m}^3$

1. Ouvrir les deux brides de fermeture.
2. Soulever la tête aspirante de la cuve de récupération de saletés.
3. Enlever les pièces d'accessoires de la cuve de récupération de saletés et de l'emballage.
4. Mettre la tête aspirante en place sur la cuve de récupération de saletés et fermer les deux brides de fermeture.
5. S'assurer que la tête aspirante est correctement montée et verrouillée.
6. Raccorder le flexible d'aspiration à l'appareil.



6.2 Mise en place d'un sac à poussières en papier pour aspirer des copeaux de bois 2



Des objets pointus risquent de transpercer le sac d'aspirateur.
S'assurer qu'aucun objet n'a percé le sac d'aspirateur.

1. Débrancher la fiche de la prise.
2. Ouvrir les deux brides de fermeture.
3. Soulever la tête aspirante de la cuve de récupération de saletés.
4. Introduire le nouveau sac à poussières en papier dans l'adaptateur et le mettre dans la cuve de récupération de saletés.
5. Mettre la tête aspirante en place sur la cuve de récupération de saletés.
6. Fermer les deux brides de fermeture.
7. S'assurer que la tête aspirante est correctement montée et verrouillée.
8. Raccorder le flexible d'aspiration à l'appareil.

6.3 Mise en place du sac à poussières en plastique 3

1. Débrancher la fiche de la prise.
2. Ouvrir les deux brides de fermeture.
3. Soulever la tête aspirante de la cuve de récupération de saletés.
4. Fixer un nouveau sac à poussières en plastique dans la cuve de récupération de saletés (conformément aux instructions imprimées).
5. Mettre la tête aspirante en place sur la cuve de récupération de saletés et fermer les deux brides de fermeture.

7 Utilisation



AVERTISSEMENT

Risque de blessures. Un système de filtration endommagé peut générer des poussières nocives pour la santé.

- ▶ En cas d'urgence (par ex. rupture du filtre), arrêter l'appareil, le débrancher du secteur et le faire contrôler par un personnel qualifié avant toute réutilisation.



DANGER

Risque de blessures. Dans le cas d'aspirateurs de classes L ou M, l'appareil contient des poussières dangereuses.

- ▶ Les travaux de vidage et d'entretien, y compris l'élimination du récipient collecteur de poussières, doivent uniquement être effectués par des professionnels compétents. Portez des équipements de protection appropriés.
- ▶ Avant de retirer l'aspirateur d'une zone polluée par des matières dangereuses, aspirer l'extérieur de l'aspirateur, l'essuyer jusqu'à ce qu'il soit propre ou l'emballer de façon étanche. Étant donné que toutes les parties de la machine doivent être considérées comme contaminées, à leur sortie de la zone dangereuse, prendre les mesures qui s'imposent pour éviter toute dispersion des poussières.
- ▶ Ne jamais utiliser l'aspirateur si le système de filtration n'est pas complet.



ATTENTION

Risque de blessures du fait de mouvements incontrôlés ! Si les freins de roue sont desserrés, il y a risque que l'aspirateur se mette en mouvement de manière incontrôlée.

- ▶ Pour assurer une bonne stabilité de l'aspirateur, utiliser les freins de roue.

7.1 Réglage du diamètre du flexible d'aspiration sur les aspirateurs UM et UME


1. Pour l'aspiration/la succion de poussières sèches, non inflammables, ayant des valeurs limites d'exposition et de copeaux de bois, adapter le diamètre du flexible d'aspiration à l'aide de l'interrupteur de réglage du diamètre du flexible.
2. Si l'appareil est utilisé avec le système de perçage Hilti, sélectionner le diamètre du flexible le plus petit.



7.2 Fonctionnement sans utilisation de la prise de l'appareil


1. Avant de bancher la fiche secteur, s'assurer que l'interrupteur de l'appareil est sur «OFF» (arrêt).
2. Brancher la fiche d'alimentation de l'aspirateur dans la prise.
3. Tourner le commutateur de l'appareil sur la position «ON» (marche).

7.3 Fonctionnement avec utilisation de la prise de l'appareil


 La prise de l'appareil est uniquement prévue pour raccorder directement des outils électroportatifs à l'aspirateur.

Lorsque des outils électroportatifs sont branchés à la prise de l'appareil, observer impérativement les instructions de leur mode d'emploi et les consignes de sécurité qui y figurent.

1. Débrancher de la prise la fiche d'alimentation de l'aspirateur.
2. S'assurer que la puissance absorbée maximale de l'outil électroportatif à raccorder est inférieure à la puissance de l'appareil maximale admise, voir chapitre «Caractéristiques techniques» et indications sur la prise intégrée pour branchement d'appareils.
3. Avant de bancher la fiche secteur de l'outil électroportatif, s'assurer que l'outil électroportatif est arrêté.
4. Brancher la fiche d'alimentation de l'outil électroportatif dans la prise de l'appareil.
5. Brancher la fiche d'alimentation de l'aspirateur dans la prise.
6. Tourner l'interrupteur de l'appareil sur la position «Auto».
7. Mettre l'outil électroportatif en marche.

 Après l'arrêt de l'outil électroportatif, l'aspirateur continue encore de marcher un court instant, le temps que la poussière se trouvant dans le flexible soit aspirée.

7.4 Aspiration de poussières sèches

 Avant d'aspirer des poussières sèches et en particulier des poussières minérales, toujours vérifier que le sac à poussières approprié a bien été mis dans la cuve. Ainsi, les matières aspirées peuvent être éliminées simplement et proprement.

ATTENTION

Risque de blessures. Si aucune cartouche filtrante n'est utilisée, il y a un risque que le matériau aspiré sorte.

- ▶ Ne jamais aspirer sans cartouche filtrante.
- ▶ S'assurer que la cartouche filtrante est bien sèche et que le sac à poussières adéquat est en place.


7.5 Aspiration de liquides

ATTENTION

Risque de blessures. Si aucune cartouche filtrante n'est utilisée, il y a un risque que le matériau aspiré sorte.

- ▶ Ne jamais aspirer sans cartouche filtrante.

1. Contrôler le dispositif de surveillance de niveau. → Page 27
2. Dans la mesure du possible, utiliser une autre cartouche filtrante pour aspirer les déchets humides.

 Nous recommandons le filtre **Hilti** VC 20/40 universel (2121387).

3. Après avoir aspiré des liquides, ouvrir les deux brides de fermeture.
4. Soulever la tête aspirante de la cuve de récupération de saletés et la poser sur un support plan, de sorte que la cartouche filtrante puisse sécher.
5. Vider la cuve de récupération de saletés et la nettoyer à l'aide d'un flexible à eau. Nettoyer les électrodes à l'aide d'une brosse et la cartouche filtrante, après l'avoir préalablement séchée en essuyant à la main.
6. Laisser la cuve de récupération de saletés sécher.



7.6 Après aspiration

1. Arrêter l'outil électroportatif.
2. Tourner le commutateur de l'appareil sur «OFF».
3. Débrancher de la prise la fiche d'alimentation de l'aspirateur.
4. Enrouler le cordon d'alimentation et le suspendre au crochet pour câble.
5. Vider la cuve et nettoyer l'appareil en essuyant avec un chiffon humide.
6. Enrouler le flexible.
7. Déposer l'aspirateur dans un local sec, à l'abri de toute utilisation non autorisée.

7.7 Vidage de la cuve de récupération de saletés en cas de poussières sèches

1. Débrancher la fiche de la prise.
2. Soulever la tête aspirante de la cuve de récupération de saletés et la poser sur un support plan.
 - ↳ **Pour les aspirateurs UM et UME**
 - ▶ Sortir le sac à poussières de la cuve de récupération de saletés.
 - ↳ **Pour les aspirateurs U et UL**
 - ▶ Enlever le sac à poussières de la cuve de récupération de saletés ou saisir les poignées encastrées et renverser la cuve de récupération de saletés pour la vider.
3. Mettre ensuite la tête aspirante en place sur la cuve de récupération de saletés et fermer les deux brides de fermeture.

7.8 Vidage de la cuve de récupération de saletés sans sac à poussières (en cas d'aspiration de liquides)

1. Débrancher la fiche de la prise.
2. Soulever la tête aspirante de la cuve de récupération de saletés et la poser sur un support plan.
3. Saisir les poignées encastrées et renverser la cuve de récupération de saletés pour la vider.
4. Nettoyer le bord de la cuve de récupération de saletés avec un chiffon.
5. Mettre la tête aspirante en place sur la cuve de récupération de saletés et fermer les deux brides de fermeture.

8 Nettoyage et entretien

8.1 Entretien de l'appareil

AVERTISSEMENT

Danger d'électrocution. Des réparations inappropriées sur des composants électriques peuvent entraîner de graves blessures corporelles.

- ▶ Les réparations des composants électriques doivent exclusivement être effectuées par un électricien qualifié.
- ▶ Tenir l'appareil, en particulier les surfaces de préhension, sec, propre et exempt d'huile et de graisse. Ne pas utiliser de nettoyeurs à base de silicone.
- ▶ Ne jamais faire fonctionner l'aspirateur si ses ouïes d'aération sont bouchées ! Nettoyer soigneusement les ouïes d'aération à l'aide d'une brosse sèche. Éviter toute pénétration de corps étrangers à l'intérieur de l'appareil.
- ▶ Nettoyer régulièrement l'extérieur de l'appareil avec un chiffon légèrement humide. Pour nettoyer, ne pas utiliser d'appareil diffuseur, d'appareil à jet de vapeur ou d'eau courante, car cela pourrait nuire à la sécurité électrique de l'appareil.

Pour les aspirateurs UL, UM et UME

Lors de l'entretien et du nettoyage, l'appareil doit être manipulé de sorte qu'il n'en résulte aucun danger pour le personnel effectuant l'entretien ou toute autre personne.

- ▶ Utiliser une ventilation forcée filtrée.
- ▶ Porter des vêtements de protection.
- ▶ Nettoyer la zone concernée en veillant à ce qu'aucune substance dangereuse ne pollue l'environnement.
- ▶ Avant de retirer l'appareil de la zone polluée par des matières dangereuses, aspirer l'extérieur de l'appareil, l'essuyer jusqu'à ce qu'il soit propre ou l'emballer de façon étanche. Ce faisant, veiller à ce que la poussière dangereuse déposée ne se répande pas.



- ▶ Lors de travaux d'entretien et de réparation, toutes les pièces qui n'ont pas pu être nettoyées de manière satisfaisante, doivent être emballées dans des sacs étanches avant d'être éliminées conformément aux prescriptions en vigueur.
- ▶ Faire contrôler l'appareil du point de vue de la poussière au moins une fois par an, par le S.A.V Hilti ou une personne compétente, pour vérifier notamment que le filtre n'est pas endommagé, que l'appareil est étanche à l'air et que les dispositifs de commande sont opérationnels.

8.2 Nettoyage de filtre automatique



Pour le nettoyage de la cartouche filtrante, veiller à ne pas la cogner contre des objets durs et ne pas intervenir dessus avec des objets durs ou pointus. Ceci raccourcirait la durée d'utilisation de la cartouche filtrante.

La cartouche filtrante ne doit pas être nettoyée avec un nettoyeur haute pression. Ceci risquerait de déchirer le matériau du filtre.

La cartouche filtrante est une pièce d'usure.

- ▶ Remplacer la cartouche filtrante au moins deux fois par an.
- ▶ Remplacer plus fréquemment la cartouche filtrante en cas d'utilisation intensive.

8.3 Remplacement de la cartouche filtrante 4

1. Débrancher la fiche de la prise.
2. Ouvrir les brides de fermeture pour couvercle de filtre.
3. Ouvrir le couvercle de filtre.
4. Enlever prudemment la cartouche filtrante en la saisissant par la poignée encastrée au dispositif de serrage.
5. Nettoyer les surfaces d'étanchéité avec un chiffon.
6. Insérer la nouvelle cartouche filtrante.
7. Fermer le couvercle de filtre en rabattant le dispositif d'arrêt du couvercle vers l'avant.
8. Fermer les brides de fermeture pour couvercle de filtre.

8.4 Contrôle du dispositif de surveillance de niveau 5

1. Pour assurer une bonne stabilité de l'aspirateur, utiliser les freins de roue.
2. Débrancher la fiche de la prise.
3. Ouvrir les deux brides de fermeture.
4. Soulever la tête aspirante de la cuve de récupération de saletés et la poser sur un support plan.
5. Vérifier que les contacts d'arrêt ne sont pas encrassés et, si nécessaire, les nettoyer avec une brosse.
6. Vérifier que le joint d'étanchéité sur la tête aspirante n'est pas encrassé et le nettoyer le cas échéant avec un chiffon.
7. Mettre la tête aspirante en place sur la cuve de récupération de saletés et fermer les deux brides de fermeture.

8.5 Contrôle après des travaux de nettoyage et d'entretien

1. Après tous travaux d'entretien et de remise en état, vérifier que l'aspirateur est correctement monté et qu'il fonctionne correctement.
2. Procéder à un test de fonctionnement.

9 Transport et stockage

9.1 Transport

Ne pas porter l'appareil à l'état plein.

Ne pas lever l'appareil au moyen d'un palan ou d'une grue.

- ▶ Le cas échéant, enlever le Power Conditioner ou retirer les outils détachés du dispositif de fixation d'accessoires.
- ▶ Vider l'appareil avant de le transporter à un autre endroit.
- ▶ Ne pas basculer l'appareil ni le transporter couché après avoir aspiré des liquides.
- ▶ Pour le transport, raccorder les deux extrémités de flexible ensemble à l'aide de l'adaptateur conique.



Pour les aspirateurs UM et UME



DANGER

Risque de blessures. Il y a un risque que du matériau aspiré s'échappe par le raccord flexible.

- ▶ Pour le transport ou si l'appareil n'est pas utilisé, dans le cas d'aspirateurs de classe M, raccorder le manchon au raccord flexible.

9.2 Stockage

- ▶ Déposer l'aspirateur dans un local sec, à l'abri de toute utilisation non autorisée.

10 Aide au dépannage

En cas de défaillances non énumérées dans ce tableau ou auxquelles il n'est pas possible de remédier sans aide, contacter le S.A.V. Hilti.

10.1 Tableau des défaillances

Défaillance	Causes possibles	Solution
Pour les aspirateurs UM et UME Signal d'avertissement acoustique (puissance d'aspiration réduite)	Le sac à poussières est plein.	▶ Remplacer le sac à poussières.
	La cartouche filtrante est très encrassée.	▶ Si le nettoyage de filtre automatique est désactivé, l'activer et laisser l'aspirateur fonctionner pendant 30 secondes.
	Le flexible d'aspiration ou le collecteur de poussières de l'outil électroportatif est bouché.	▶ Nettoyer le flexible d'aspiration et le collecteur de poussières.
	Réglage du diamètre du flexible dans une position erronée.	▶ Régler le diamètre du flexible d'aspiration. ▶ Pour des applications avec un système de perçage, utiliser le diamètre de flexible de 15 mm.
La poussière est soufflée hors de l'appareil.	La cartouche filtrante n'est pas montée correctement.	▶ Remonter la cartouche filtrante.
	La cartouche filtrante est endommagée.	▶ Monter une nouvelle cartouche filtrante.
L'appareil se met en marche et s'arrête de manière incontrôlée, ou l'utilisateur subit des décharges statiques.	La décharge électrostatique n'est pas assurée, l'appareil est raccordé à une prise non mise à la terre.	▶ Raccorder l'appareil à une source de courant mise à la terre, utiliser un flexible antistatique.
L'appareil ne se met pas en marche ou s'arrête après un bref démarrage.	La coupure d'eau a été déclenchée.	▶ Nettoyer les sondes et l'environnement des sondes avec une brosse.
Le moteur ne fonctionne plus.	Le fusible de la prise a réagi.	▶ Armer le fusible. ▶ S'il réagit à nouveau, rechercher l'origine de la surintensité.
	Cuve de récupération de saletés pleine.	▶ Arrêter l'appareil et vider la cuve de récupération de saletés.
	Le fusible thermique du moteur a réagi.	▶ Arrêter l'appareil et le laisser refroidir pendant 5 minutes. ▶ Si le moteur ne démarre pas, apporter l'appareil au S.A.V. Hilti.
	Le fusible thermique du moteur coupe à nouveau le moteur.	▶ Nettoyer les fentes d'aération avec précaution au moyen d'une brosse sèche.



Défaillance	Causes possibles	Solution
Le moteur ne marche pas en mode automatique.	L'appareil raccordé est défectueux ou n'est pas correctement branché.	► Vérifier le bon fonctionnement de l'appareil raccordé ou brancher fermement la fiche d'alimentation.
Le nettoyage automatique de la cartouche filtrante ne fonctionne pas.	Aucun flexible d'aspiration n'est raccordé.	► Raccorder le flexible d'aspiration.

11 Recyclage

Les produits Hilti sont fabriqués pour une grande partie en matériaux recyclables. Le recyclage présuppose un tri adéquat des matériaux. Hilti reprend les appareils usagés dans de nombreux pays en vue de leur recyclage. Consulter le service clients Hilti ou un conseiller commercial.

Conformément à la directive européenne concernant les appareils électriques et électroniques anciens et sa transposition au niveau national, les appareils électriques usagés doivent être collectés séparément et recyclés de manière non polluante.



- Ne pas jeter les appareils électriques dans les ordures ménagères !

Boues de forage

En raison de la protection de l'environnement, les boues de forage ne doivent pas être versées dans les cours d'eau ou les canalisations sans prétraitement approprié.

- Veuillez vous renseigner auprès de votre administration locale sur les directives en vigueur en la matière.

Nous recommandons le prétraitement suivant :

- Collecter les boues de forage (par exemple au moyen d'un aspirateur de déchets liquides).
- Faire décanter les boues de forage et éliminer la partie sèche sur une décharge industrielle (le procédé peut être accéléré par des agents flocculants).
- Avant de déverser l'eau résiduelle (basique, pH > 7) dans les canalisations, il convient de la neutraliser en ajoutant un neutralisant acide ou en la diluant avec beaucoup d'eau.

Poussière de forage

- La poussière de forage accumulée doit être éliminée conformément aux réglementations nationales existantes en vigueur.

12 Garantie constructeur

- En cas de questions sur les conditions de garantie, veuillez vous adresser à votre partenaire Hilti local.



1 Dane dotyczące dokumentacji

1.1 O niniejszej dokumentacji

- Przed uruchomieniem urządzenia należy zapoznać się z niniejszą dokumentacją. Jest to warunek konieczny bezpiecznej pracy i bezawaryjnej obsługi.
- Należy stosować się do uwag dotyczących bezpieczeństwa oraz ostrzeżeń zawartych w niniejszej dokumentacji i podanych na wyrobie.
- Instrukcję obsługi zawsze przechowywać z produktem; urządzenie przekazywać innym użytkownikom wyłącznie z instrukcją obsługi.

1.2 objaśnienie symboli

1.2.1 Ostrzeżenia

Wskazówki ostrzegawcze ostrzegają przed niebezpieczeństwem w obchodzeniu się z produktem. Zastosowano następujące hasła ostrzegawcze:

ZAGROŻENIE

ZAGROŻENIE !

- ▶ Wskazuje na bezpośrednie zagrożenie, które może prowadzić do ciężkich obrażeń ciała lub śmierci.

OSTRZEŻENIE

OSTRZEŻENIE !

- ▶ Wskazuje na ewentualne zagrożenie, które może prowadzić do ciężkich obrażeń ciała lub śmierci.





OSTROŻNIE

OSTROŻNIE !

- ▶ Wskazuje na potencjalnie niebezpieczną sytuację, która może prowadzić do lekkich obrażeń ciała lub szkód materialnych.





1.2.2 Symbole w dokumentacji

W naszych dokumentacjach zastosowano następujące symbole:

	Przed użyciem przeczytać instrukcję obsługi
	Wskazówki dotyczące użytkowania i inne przydatne informacje
	Obchodzenie się z surowcami wtórnymi
	Nie wyrzucać elektronarzędzi ani akumulatorów do odpadów komunalnych

1.2.3 Symbole na rysunkach

Na naszych rysunkach zastosowano następujące symbole:

	Te liczby odnoszą się do rysunków zamieszczonych na początku niniejszej instrukcji
3	Liczby te oznaczają kolejność kroków roboczych na rysunku i mogą odbiegać od kroków roboczych opisanych w tekście
	Numerы pozycji zastosowane na rysunku Budowa urządzenia odnoszą się do numerów legendy w rozdziale Ogólna budowa urządzenia
	Na ten znak użytkownik powinien zwrócić szczególną uwagę podczas obsługiwanя produktu.
	Bezprzewodowa transmisja danych

1.2.4 Dodatkowe symbole

Na produkcie zastosowano następujące symbole:





Zakaz transportowania dźwigiem

1.3 Symbole zależne od produktu

1.3.1 Symbole na produkcie

Na produkcie zastosowano następujące symbole:



Ostrzeżenie przed gorącą powierzchnią



Zakaz transportowania dźwigiem

1.4 Specjalne naklejki na produkcie

W przypadku odkurzaczy UL



OSTRZEŻENIE: W urządzeniu znajdują się pyły szkodliwe dla zdrowia. Opróżniać i konserwować urządzenie, włącznie z utylizacją worka na pył, mogą wyłącznie fachowcy, posiadający odpowiednie wyposażenie ochronne. Nie włączać urządzenia, dopóki nie zostanie zainstalowany cały system filtracyjny.

W przypadku odkurzaczy UM i UME



OSTRZEŻENIE: W urządzeniu znajdują się pyły szkodliwe dla zdrowia. Opróżniać i konserwować urządzenie, włącznie z utylizacją worka na pył, mogą wyłącznie fachowcy, posiadający odpowiednie wyposażenie ochronne. Nie włączać urządzenia, dopóki nie zostanie zainstalowany cały system filtracyjny i sprawdzona funkcja kontroli strumienia objętości zasysanego powietrza.

1.5 Informacje o produkcie

Produkty **HILTI** przeznaczone są do użytku profesjonalnego i mogą być eksploatowane, konserwowane i utrzymywane we właściwym stanie technicznym wyłącznie przez autoryzowany, przeszkolony personel. Personel ten musi być przede wszystkim poinformowany o możliwych zagrożeniach. Produkt i jego wyposażenie mogą stanowić zagrożenie w przypadku użycia przez niewykwalifikowany personel w sposób niewłaściwy lub niezgodny z przeznaczeniem.

Oznaczenie typu i numer seryjny umieszczone są na tabliczce znamionowej.

- Numer seryjny należy przepisać do poniższej tabeli. Dane o produkcie należy podawać w przypadku pytań do naszego przedstawicielstwa lub serwisu.

Dane o produkcie

Odkurzacz do pracy na mokro i sucho	VC 20-U VC 20-UL VC 20-UM VC 20-UME VC 40-U VC 40-UL VC 40-UM VC 40-UME
Generacja	02
Nr seryjny	

1.6 Deklaracja zgodności

Deklarujemy z pełną odpowiedzialnością, że opisany tutaj produkt jest zgodny z obowiązującymi wytycznymi i normami. Kopia deklaracji zgodności znajduje się na końcu niniejszej dokumentacji.

Techniczna dokumentacja zapisana jest tutaj:



2 Bezpieczeństwo

2.1 Ogólne wskazówki bezpieczeństwa

Oprócz wskazówek bezpieczeństwa z poszczególnych rozdziałów tej instrukcji obsługi należy zawsze dokładnie przestrzegać poniższych uwag.

- ▶ **Należy przeczytać wszystkie wskazówki!** Nieprzestrzeganie poniższych wskazówek może prowadzić do porażenia prądem, pożaru i/lub ciężkich obrażeń ciała.
- ▶ **Przed użyciem urządzenia w połączeniu z elektronarzędziem należy przeczytać instrukcję obsługi elektronarzędzia i przestrzegać wszystkich zawartych w niej wskazówek.**
- ▶ **Dokonywanie modyfikacji i zmian w urządzeniu jest zabronione.**
- ▶ **Stosować odpowiednie urządzenie. Nie stosować urządzenia do celów, do których nie jest przeznaczone, lecz używać je zgodnie z przeznaczeniem i utrzymywać w dobrym stanie technicznym.**
- ▶ **Osoby używające urządzenia powinny przed przystąpieniem do pracy zapoznać się z jego obsługą, zagrożeniami, jakie może spowodować odsysany materiał oraz z utylizacją zebranego materiału.**
- ▶ **Należy uwzględnić wpływ otoczenia. Nie używać urządzenia tam, gdzie istnieje niebezpieczeństwo pożaru lub eksplozji.**
- ▶ **Urządzenie może być obsługiwane wyłącznie przez osoby, które potrafią się z nim prawidłowo obchodzić, zostały pouczone o bezpiecznej obsłudze i rozumieją wynikające z użytkowania niebezpieczeństwo. Urządzenie nie może być obsługiwane przez dzieci.**
- ▶ **Nie używane urządzenia przechowywać w bezpiecznym miejscu. Nie używane urządzenia należy przechowywać w suchym, wysoko położonym lub zamkniętym miejscu, niedostępnym dla dzieci.**

2.2 Bezpieczeństwo osób

- ▶ **Należy być czujnym, uważać na to, co się robi i do pracy przy użyciu urządzenia przystępować z rozwagą. Nie używać odkurzacza będąc zmęczonym lub znajdując się pod wpływem narkotyków, alkoholu lub lekarstw.** Chwila nieuwagi podczas eksploatacji urządzenia może prowadzić do poważnych obrażeń ciała.
- ▶ **Użytkownik i osoby znajdujące się w pobliżu podczas eksploatacji lub konserwacji urządzenia muszą nosić odpowiednie okulary ochronne, kask ochronny, ochroniacze słuchu, rękawice ochronne, buty ochronne i lekką maskę przeciwpyłową.**
- ▶ **Zablokować kółka hamulcami w celu stabilnego ustawienia odkurzacza.** Przy odblokowanych kółkach może dojść do niekontrolowanego przemieszczania się odkurzacza.
- ▶ **Jeśli możliwe jest zamontowanie urządzeń odsysających lub wyłapujących, upewnić się, czy są one właściwie podłączone i prawidłowo użytkowane.** Stosowanie systemów odsysania zmniejsza zagrożenie spowodowane rozprzestrzenianiem się pyłów.

2.3 Prawidłowe obchodzenie się z urządzeniem

- ▶ **Nie pozostawiać urządzenia bez nadzoru.**
- ▶ **Podczas odsysania niebezpiecznych pyłów nie wyłączać systemu czyszczenia filtra, zwłaszcza w przypadku pracy z elektronarzędziem, przy użyciu którego powstaje dużo pyłu.**
- ▶ **Chronić urządzenie przed mrozem.**
- ▶ **Należy regularnie czyścić szczotką, zgodnie ze wskazówkami, i kontrolować pod kątem uszkodzeń mechanizm ograniczenia poziomu wody.**
- ▶ **Podczas nasadzania głowicy ssącej uważać, aby nie przyciąć sobie palców oraz nie uszkodzić przewodu zasilającego.** Istnieje niebezpieczeństwo zranienia ciała i uszkodzenia urządzenia.
- ▶ **Sprawdzić urządzenie i wyposażenie pod kątem ewentualnych uszkodzeń. Przed dalszym użytkowaniem urządzenia należy starannie sprawdzić, czy urządzenia zabezpieczające lub lekko uszkodzone części działają nienagannie i zgodnie z przeznaczeniem. Sprawdzić, czy ruchome części pracują bez zarzutu i czy nie zacinają się, lub czy jakieś części nie są uszkodzone. Wszystkie części powinny być właściwie zamontowane i spełniać wszelkie warunki gwarantujące prawidłową eksploatację urządzenia.**
- ▶ **Naprawę urządzenia zlecać wyłącznie wykwalifikowanemu personelowi, stosującemu tylko oryginalne części zamienne.** Gwarantuje to zachowanie bezpieczeństwa urządzenia.
- ▶ **Gdy urządzenie nie jest eksploatowane (podczas przerw w pracy), przed rozpoczęciem prac konserwacyjnych, wymianą wyposażenia lub filtra, zawsze wyjmować wtyczkę sieciową z gniazda.** Ten środek ostrożności zapobiega niezamierzonemu włączeniu urządzenia.



- ▶ **Nigdy nie ciągnąć za przewód sieciowy, aby zmienić położenie robocze odkurzacza. Nie przejeżdżać odkurzaczem przez przewód sieciowy.**
- ▶ **Do transportu urządzenia nie używać dźwigu.**

Dodatkowo w przypadku odkurzaczy UM i UME

- ▶ **Podczas transportu oraz w okresie, gdy urządzenie nie jest używane, należy zatkać króciec wlotowy korkiem.**

2.4 Bezpieczeństwo elektryczne

- ▶ **Wtyczka urządzenia musi pasować do gniazda. W żadnym wypadku nie wolno modyfikować wtyczki. Nie należy używać trójników w połączeniu z uziemionymi narzędziami.** Oryginalne wtyczki i pasujące gniazda zmniejszają ryzyko porażenia prądem.
- ▶ **Włożyć wtyczkę do odpowiedniego, uziemionego gniazda, zainstalowanego zgodnie z lokalnymi przepisami. W razie wątpliwości, czy gniazdo jest prawidłowo uziemione, należy zlecić sprawdzenie uziemienia wykwalifikowanemu elektrykowi.**
- ▶ **Należy unikać kontaktu z uziemionymi powierzchniami, jak rury, grzejniki, piece i lodówki.** W przypadku kontaktu z uziemieniem istnieje zwiększone ryzyko porażenia prądem.
- ▶ **Urządzenie należy chronić przed deszczem i wilgocią.** Wnikanie wody do elektronarzędzia zwiększa ryzyko porażenia prądem.
- ▶ **Upewnić się, że przewód zasilający nie leży w kałuży.**
- ▶ **Regularnie kontrolować przewód zasilający urządzenia i – w razie stwierdzenia jego uszkodzenia – oddać do wymiany w serwisie Hilti. Kontrolować regularnie przedłużacze i w razie uszkodzenia wymienić je na nowe.**
- ▶ **Jeśli podczas pracy uszkodzony zostanie przewód sieciowy i/lub przedłużacz, nie wolno ich dotykać. Wyciągnąć wtyczkę sieciową z gniazda.** Uszkodzone przewody przyłączeniowe oraz przedłużacze mogą stwarzać ryzyko porażenia prądem.
- ▶ **Przewód przyłączeniowy można wymienić wyłącznie na przewód o parametrach podanych w instrukcji obsługi.**
- ▶ **Nigdy nie używać przewodu niezgodnie z przeznaczeniem, np. do przenoszenia urządzenia, zawieszania lub do wyciągania wtyczki z gniazda. Przewód należy chronić przed wpływem wysokich temperatur, oleju, ostrych krawędzi lub ruchomych części urządzenia.** Uszkodzone lub poplątane przewody zwiększają ryzyko porażenia prądem.
- ▶ **W przypadku wykonywania elektronarzędziem prac na świeżym powietrzu należy zastosować przedłużacz przystosowany do używania na zewnątrz.** Zastosowanie przedłużacza przystosowanego do używania na zewnątrz zmniejsza ryzyko porażenia prądem.
- ▶ **W przypadku przerwy w zasilaniu należy wyłączyć urządzenie i wyciągnąć wtyczkę z gniazda.**
- ▶ **Gniazda zasilającego na urządzeniu używać wyłącznie do celów opisanych w niniejszej instrukcji obsługi.**
- ▶ **Nigdy nie używać zabrudzonego lub zamoczonego urządzenia.** Osadzający się na powierzchni urządzenia pył, w szczególności od zwiercin materiałów przewodzących, jak również wilgoć mogą przy niekorzystnych warunkach prowadzić do porażenia prądem elektrycznym. **Dlatego, zwłaszcza w przypadku częstej obróbki materiałów przewodzących, należy zabrudzone urządzenia regularnie oddawać do kontroli w serwisie Hilti.**

2.5 Miejsce pracy

- ▶ **Zadbać o dobre oświetlenie stanowiska pracy.**
- ▶ **Zadbać o dobrą wentylację stanowiska pracy.** Nieprawidłowa wentylacja stanowiska pracy może spowodować zagrożenie dla zdrowia wskutek nadmiernego zapylenia.
- ▶ **Należy utrzymywać porządek na swoim stanowisku pracy. Zadbać o to, aby w strefie roboczej nie znajdowały się żadne przedmioty, o które można się skaleczyć.** Nieporządek na stanowisku pracy może spowodować wypadek.
- ▶ **Przy użyciu tego urządzenia nie należy pracować w otoczeniu zagrożonym wybuchem, w którym znajdują się np. łatwopalne ciecze, gazy lub pyły.** Elektronarzędzia wytwarzają iskry, które mogą prowadzić do zapłonu pyłów lub oparów.
- ▶ **Podczas pracy na schodach należy zachować szczególną ostrożność.**



2.6 Zbierane zanieczyszczenia

- ▶ Zabrania się zbierania pyłów szkodliwych dla zdrowia, palnych i/lub wybuchowych (np. pyłu magnezowo-aluminiowego itp.). Zabrania się zbierania materiałów, których temperatura przekracza 60°C (140°F), (np. żarzących się papierosów, rozgrzanego popiołu).
- ▶ Zabrania się odsysania palnych, wybuchowych i agresywnych cieczy (np. środków chłodzących i smarów, benzyny, rozpuszczalników, kwasów (pH < 5), zasad (pH > 12,5) itp.).
- ▶ W przypadku wyciekania piany lub cieczy natychmiast wyłączyć urządzenie.
- ▶ Podczas zbierania gorących substancji, maksymalnie do 60°C (140°F), nosić rękawice ochronne.
- ▶ Podczas pracy z użyciem mineralnej płuczki wiertniczej nosić odzież ochronną i unikać kontaktu płuczki ze skórą (pH > 9, działanie żrące).
- ▶ Unikać styczności z cieczami zasadowymi lub kwaśnymi. W razie przypadkowego kontaktu narażone części ciała obmyć wodą. W przypadku przedostania się elektrolitu do oczu, przemyć je obficie wodą i skonsultować się z lekarzem.

Dodatkowo w przypadku odkurzaczy UL

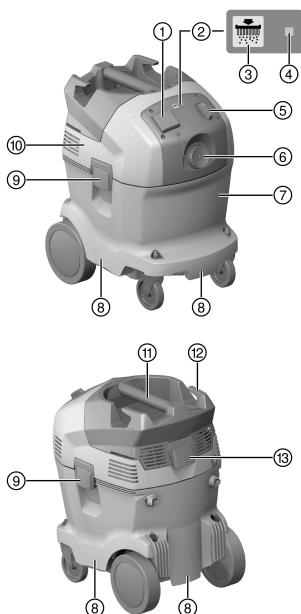
- ▶ Urządzenie klasy pylenia L nadaje się zbierania/odsysania suchych, niepalnych pyłów, wiórów drewnianych i pyłów niebezpiecznych o wartościach granicznych ekspozycji > 1 mg/m³. **W zależności od stopnia zagrożenia zbieranych/odsysanych pyłów, urządzenie należy wyposażyć w odpowiednie filtry.**

Dodatkowo w przypadku odkurzaczy UM i UME

- ▶ Urządzenie klasy pylenia M nadaje się zbierania/odsysania suchych, niepalnych pyłów, wiórów drewnianych i pyłów niebezpiecznych o wartościach granicznych ekspozycji \geq 0,1 mg/m³. **W zależności od stopnia zagrożenia zbieranych/odsysanych pyłów, urządzenie należy wyposażyć w odpowiednie filtry.**

3 Opis

3.1 Ogólna budowa urządzenia 1



- ① Gniazdo zasilające na urządzeniu
- ② Automatyczne czyszczenie filtra
- ③ Przycisk "czyszczenie filtra wł./wyl." (tylko UL i UME)
- ④ Wskaźnik stanu "Automatyczne czyszczenie filtra"
- ⑤ Wyłącznik główny
- ⑥ Króciec wlotowy
- ⑦ Zbiornik
- ⑧ Wgłębienie uchwytowe
- ⑨ Zaczep zatrzaskowy
- ⑩ Głowica ssąca
- ⑪ Uchwyt
- ⑫ Zaczep na przewód
- ⑬ Zaczep zatrzaskowy osłony filtra



3.2 Użytkowanie zgodne z przeznaczeniem

Zastosowane tutaj produkty to uniwersalne odkurzacze przemysłowe przeznaczone do użytku komercyjnego. Przeznaczone są do odkurzania na sucho i na mokro.

Nie wolno stosować urządzenia do odkurzania ludzi i zwierząt. Używanie odkurzacza pod wodą jest zabronione.

OSTRZEŻENIE

Zagrożenie zdrowia! Odkurzacze U nie są przystosowane do zbierania pyłu szkodliwego dla zdrowia.

- ▶ Nie należy używać tych modeli do zbierania pyłów szkodliwych dla zdrowia.

- ▶ Osoby używające urządzenia powinny przed przystąpieniem do pracy zapoznać się z jego obsługą, zagrożeniami, jakie może spowodować odsysany materiał oraz z bezpieczną utylizacją zebranego materiału.
- ▶ Produkt nie jest przystosowany do pracy ciągłej w instalacjach automatycznych lub półautomatycznych.
- ▶ Aby uniknąć niebezpieczeństwa obrażeń ciała, stosować wyłącznie oryginalne wyposażenie i części zamienne **Hilti**.
- ▶ W celu uniknięcia efektu elektrostatycznego należy używać antystatycznego węża ssącego.
- ▶ Nie zbierać materiałów, o które można się skaleczyć przez worek na pył (np. odpadów szpiczastych lub o ostrych krawędziach).
- ▶ Nie wykorzystywać produktu jako drabiny i nie wchodzić na niego.

Ten przeznaczony do użytku komercyjnego produkt nadaje się do następujących zastosowań:

- Odsysanie dużej ilości pyłu podczas eksploatacji szlifierek diamentowych, przecinarek, młotowiertarek i koronek wiertniczych do wiercenia na sucho firmy **Hilti**.
- Zbieranie mineralnej płuczki wiertniczej podczas eksploatacji diamentowych koronek wiertniczych **Hilti** lub pił diamentowych **Hilti** oraz zbieranie cieczy o temperaturze < 60°C (140°F).
- Zbieranie oleju i cieczy o temperaturze < 60°C (140°F).
- Czyszczenie na mokro i na sucho powierzchni ściennych i podłogowych

Dodatkowo w przypadku odkurzaczy UL

Odsysanie suchych, niepalnych pyłów, cieczy, wiórów drewnianych i pyłów niebezpiecznych o maksymalnych wartościach granicznych ekspozycji > 1 mg/m³ (klasa pylenia L).

Dodatkowo w przypadku odkurzaczy UM i UME

Odsysanie suchych, niepalnych pyłów, cieczy, wiórów drewnianych i pyłów niebezpiecznych o maksymalnych wartościach granicznych ekspozycji > 0,1 mg/m³ (klasa pylenia M).

Dodatkowo w przypadku odkurzaczy UL, UM i UME

W przypadku stosowania odpylaczy konieczne jest zapewnienie odpowiedniej wentylacji W, jeśli wydmuchiwane powietrze odprowadzane jest do pomieszczenia. Przestrzegać obowiązujących przepisów krajowych.

3.3 Możliwe nieprawidłowości w eksploatacji

- Podczas eksploatacji odkurzacz przemysłowy nie może leżeć.
- Odkurzacza przemysłowego nie wolno używać do zbierania substancji wybuchowych, materiałów żarzących się, palących lub łatwopalnych oraz agresywnych pyłów (np. pyłu magnezowo-aluminiowego itp.) (wyjątek: wióry drewniane).
- Odkurzacza przemysłowego nie wolno używać do zbierania palnych substancji płynnych (np. benzyny, rozpuszczalników, kwasów, środków chłodzących, smarów itp).
- Nie wolno obrabiać materiałów zagrażających zdrowiu (np. azbestu).

3.4 Zakres dostawy

Odkurzacz do pracy na sucho i mokro z filtrem, wężem ssącym w komplecie ze złączką obrotową (po stronie odkurzacza) i końcówką narzędziową, plastikowym workiem na pył PE VC 20/40, instrukcja obsługi.

3.5 Akustyczny sygnał ostrzegawczy

Odkurzacze UM i UME są wyposażone w akustyczny sygnał ostrzegawczy. Sygnał rozlega się ze względów bezpieczeństwa, gdy prędkość powietrza przepływającego przez wąż ssący spadnie poniżej 20 m/s.

Aby akustyczny sygnał ostrzegawczy zadziałał prawidłowo, należy ustawić średnicę zastosowanego węża ssącego za pomocą regulacji średnicy węża.




3.6 Automatyczne czyszczenie filtra

Odkurzacz wyposażony jest w automatyczny system czyszczenia filtra, który w znacznej mierze oczyszcza filtr z przywierającego pyłu.

System czyszczenia filtra można wyłączyć naciskając przycisk "Automatyczne czyszczenie filtra Wł./WYł." i znowu włączyć, ponownie naciskając przycisk.

Stan	Znaczenie
Świeci się dioda LED.	• System czyszczenia filtra jest aktywowany.
Nie świeci się dioda LED.	• System czyszczenia filtra jest dezaktywowany.

Za każdym razem podczas włączania odkurzacza system czyszczenia filtra jest automatycznie aktywowany. Filtr zostanie automatycznie oczyszczony przez uderzenie strumienia powietrza (pulsujący odgłos).

 W przypadku intensywnego używania (zwłaszcza podczas szlifowania, cięcia i wykonywania bruzd) lub podczas zasysania większych ilości pyłu system czyszczenia filtra musi być aktywowany, aby umożliwić stałą wysoką siłę ssania.

System czyszczenia filtra funkcjonuje wyłącznie wówczas, gdy podłączony jest wąż ssący.

3.7 Wskazówki dotyczące użytkowania

Wyposażenie i jego zastosowanie

Akcesoria	Zastosowanie
Plastikowy worek na pył PE VC 20 (203854)	Do stosowania przy pracach w podłogach mineralnych, na mokro i sucho
Plastikowy worek na pył PE VC 40 (203852)	Do stosowania przy pracach w podłogach mineralnych, na mokro i sucho
Papierowy worek na pył VC 20 (203858)	Do stosowania przy pracach w podłogach drewnianych
Papierowy worek na pył VC 40 (203856)	Do stosowania przy pracach w podłogach drewnianych
Filtr VC 20/40 suchy (2121386)	Na sucho
Filtr VC 20/40 uniwersalny (2121387)	Uniwersalny na mokro i sucho
Filtr VC 20/40 o wysokiej wydajności (2121388)	Używanie intensywne na mokro i sucho
Wąż ssący 27 x 3,5 m AS	Na mokro i sucho
Wąż ssący 36 mm	Przeważnie na mokro, nie nadaje się do odsysania pyłu
Wąż ssący 36 x 5 m AS	Na mokro i sucho

► W przypadku odkurzaczy UM i UME konieczne stosować plastikowy lub papierowy worek na pył.

4 Dane techniczne

4.1 Odkurzacz do pracy na mokro i sucho

	VC 20	VC 40
Wymiary (dł. x szer. x wys. w mm)	505 x 380 x 500	505 x 380 x 610
Ciężar zgodny z procedurą EPTA 01	13,0 kg	14,7 kg
Pojemność zbiornika	21 ℓ	36 ℓ
Pojemność użytkowa worka na pył	23 kg	40 kg
Ilość wody	13,5 ℓ	25 ℓ
Temperatura robocza	-10 °C ... 40 °C	-10 °C ... 40 °C
Automatyczne czyszczenie filtra co	15 s	15 s
Klasa ochrony	I	I
Klasa ochrony	IP X4	IP X4
Częstotliwość sieci	50 Hz ... 60 Hz	50 Hz ... 60 Hz



4.2 Napięcie znamionowe

i W przypadku podłączenia urządzenia do prądnicy lub transformatora ich moc wtórna musi być przynajmniej dwa razy większa od podanego na tabliczce znamionowej znamionowego poboru mocy urządzenia. Napięcie robocze transformatora lub prądnicy musi przez cały czas mieścić się w granicach od +5% do -15% napięcia znamionowego urządzenia.

•/•	100 Wolt [V]	110 Wolt [V]	110 Wolt [V]	200 Wolt [V]
Znamionowy pobór mocy	1200 Wat [W]	1100 Wat [W]	1100 Wat [W]	950 Wat [W]
Moc przyłączeniowa wbudowanego gniazda zasilającego do elektronarzędzi (opcjonalnie)	•/•	1600 Wat [W]	•/•	•/•
Przewód przyłączeniowy (typ)	VCTF 3 x 2,0 mm ²	A07 QQF 3 / 12 AWG	H07 BQF 3G 1,5 mm ²	VCTF 3 x 2,0 mm ²
•/•	220 - 240 Wolt [V]	220 - 240 (CH) Wolt [V]	220 - 240 (GB) Wolt [V]	220 - 240 (NZ) Wolt [V]
Znamionowy pobór mocy	1200 Wat [W]	1200 Wat [W]	1200 Wat [W]	1200 Wat [W]
Moc przyłączeniowa wbudowanego gniazda zasilającego do elektronarzędzi (opcjonalnie)	2400 Wat [W]	1100 Wat [W]	1800 Wat [W]	1200 Wat [W]
Przewód przyłączeniowy (typ)	H07 RNF 3G 1,5 mm ²	H07 RNF 3G 1,5 mm ²	H07 RNF 3G 1,5 mm ²	H07 RNF 3G 1,5 mm ²

4.3 Maksymalny strumień objętości powietrza i maksymalne podciśnienie

		VC 20-U	VC 20-UL	VC 20-UM	VC 20-UME
Maksymalny strumień objętości (powietrza)	950 W	68 ℓ/s	•/•	•/•	•/•
	1100 W	68 ℓ/s	•/•	•/•	•/•
	1200 W	74 ℓ/s	•/•	•/•	•/•
Maksymalny strumień objętości (powietrza)	1100 W	•/•	138 m ³ /h	138 m ³ /h	138 m ³ /h
	1200 W	•/•	150 m ³ /h	150 m ³ /h	150 m ³ /h
Maksymalne podciśnienie	950 W	235 hPa	•/•	•/•	•/•
	1100 W	230 hPa	209 hPa	209 hPa	209 hPa
	1200 W	253 hPa	253 hPa	253 hPa	253 hPa

		VC 40-U	VC 40-UL	VC 40-UM	VC 40-UME
Maksymalny strumień objętości (powietrza)	950 W	68 ℓ/s	•/•	•/•	•/•
	1100 W	68 ℓ/s	•/•	•/•	•/•
	1200 W	74 ℓ/s	•/•	•/•	•/•
Maksymalny strumień objętości (powietrza)	1100 W	•/•	138 m ³ /h	138 m ³ /h	138 m ³ /h
	1200 W	•/•	150 m ³ /h	150 m ³ /h	150 m ³ /h
Maksymalne podciśnienie	950 W	235 hPa	•/•	•/•	•/•
	1100 W	230 hPa	209 hPa	209 hPa	209 hPa
	1200 W	253 hPa	253 hPa	253 hPa	253 hPa

4.4 Informacje o hałasie i wibracjach, pomiar według EN 60335

Poniższe dane dotyczą wszystkich odkurzaczy przemysłowych VC 20 i VC 40.



Poziom emitowanego ciśnienia akustycznego (L_{pA})	73 dB(A)
Nieoznaczoność poziomu ciśnienia akustycznego (K_{pA})	2,5 dB(A)
Wartość emisji wibracji	< 2,5 m/s ²

5 Stosowanie przedłużaczy

OSTRZEŻENIE

Zagrożenie w wyniku uszkodzonych przewodów elektrycznych! Jeśli podczas pracy uszkodzony zostanie przewód zasilający lub przedłużacz, nie wolno ich dotykać. Wyciągnąć wtyczkę sieciową z gniazda.

- ▶ Regularnie kontrolować przewód zasilania urządzenia i – w razie stwierdzenia jego uszkodzenia – oddać do naprawy wykwalifikowanemu fachowcowi.
- Stosować wyłącznie przedłużacze przeznaczone dla danego zakresu roboczego o wystarczającym przekroju żył. W przeciwnym razie może dojść do spadku mocy urządzenia i przegrzania przewodu.
- Regularnie sprawdzać, czy przedłużacz nie jest uszkodzony.
- Wymieniać uszkodzone przewody przedłużające.
- Na wolnym powietrzu stosować wyłącznie przewidziane do tego celu i odpowiednio oznaczone przewody przedłużające.

Zalecany minimalny przekrój i maksymalna długość przewodów przy napięciu sieciowym 120 V

Przewód	AWG 16	AWG 14	AWG 12	AWG 10
Przekrój przewodu	1,31 mm ²	2,08 mm ²	3,31 mm ²	5,26 mm ²
Przekrój przewodu	2,58 kcmil	4,11 kcmil	6,53 kcmil	10,4 kcmil
Długość przewodu	25 m	30 m	50 m	100 m
Długość przewodu	75 ft	100 ft	150 ft	250 ft

6 Uruchomienie

ZAGROŻENIE

Zagrożenie przez prąd elektryczny. Nieprawidłowe podłączenie odkurzacza może prowadzić do śmierci lub ciężkich obrażeń ciała.

- ▶ Odkurzacze podłączać wyłącznie do prawidłowo uziemionego źródła prądu.

OSTROŻNIE

Niebezpieczeństwo obrażeń ciała w wyniku niekontrolowanego przemieszczania się odkurzacza! Przy odblokowanych kółkach może dojść do niekontrolowanego przemieszczania się odkurzacza.

- ▶ Zablokować kółka hamulcami w celu stabilnego ustawienia odkurzacza.

6.1 Pierwsze uruchomienie



Plastikowy worek na pył: do zbierania niegroźnych pyłów

Plastikowy worek na pył do odsysania pyłów mineralnych lub papierowy worek na pył do zbierania wiórów drewnianych:

- > Klasa M do odsysania pyłów o wartościach granicznych eksplozji $\geq 0,1$ mg/m³
- > Klasa L lub M do odsysania pyłów o wartościach granicznych eksplozji > 1 mg/m³

1. Otworzyć obydwa zaczepy zatrzaskowe.
2. Unieść głowicę ssącą znad zbiornika.
3. Wyjąć akcesoria ze zbiornika i z opakowania.
4. Nałożyć głowicę ssącą na zbiornik i zamknąć obydwa zaczepy zatrzaskowe.
5. Upewnić się, że głowica ssąca została prawidłowo zamocowana i zablokowana.
6. Przyłączyć wąż ssący do urządzenia.



6.2 Wkładanie papierowego worka na pył do zbierania wiórów drewnianych 2



Szpiczaste przedmioty mogą przebić worek na pył.
Upewnić się, że żadne przedmioty, nie przebiły worka.

1. Wyciągnąć wtyczkę sieciową z gniazda.
2. Otworzyć obydwie zaczepty zatraskowe.
3. Unieść głowicę ssącą znad zbiornika.
4. Włożyć nowy papierowy worek na pył w adapter i umieścić na zbiorniku.
5. Nałożyć głowicę ssącą na zbiornik.
6. Zamknąć obydwie zaczepty zatraskowe.
7. Upewnić się, że głowica ssąca została prawidłowo zamocowana i zablokowana.
8. Przyłączyć wąż ssący do urządzenia.

6.3 Wkładanie plastikowego worka na pył 2

1. Wyciągnąć wtyczkę sieciową z gniazda.
2. Otworzyć obydwie zaczepty zatraskowe.
3. Unieść głowicę ssącą znad zbiornika.
4. Umieścić w zbiorniku nowy plastikowy worek na pył (instrukcja na urządzeniu).
5. Nałożyć głowicę ssącą na zbiornik i zamknąć obydwie zaczepty zatraskowe.

7 Obsługa



OSTRZEŻENIE

Niebezpieczeństwo obrażeń ciała. W wyniku uszkodzenia systemu filtrującego może wydostawać się szkodliwy dla zdrowia pył.

- ▶ W nagłym przypadku (np. pęknięcie filtra) wyłączyć odkurzacz, wyciągnąć wtyczkę z gniazda i oddać odkurzacz do kontroli przez fachowca, zanim odkurzacz zostanie ponownie użyty.



ZAGROŻENIE

Niebezpieczeństwo obrażeń ciała. W przypadku odkurzaczy klasy L i M w urządzeniu znajduje się szkodliwy dla zdrowia pył.

- ▶ Opróżnianie i konserwację urządzenia, włącznie z utylizacją zbiorników na pył, mogą przeprowadzić wyłącznie fachowcy. Nosić odpowiednie wyposażenie ochronne.
- ▶ Przed usunięciem odkurzacza z obszaru ze szkodliwymi dla zdrowia substancjami, odkurzacz należy z zewnątrz odkurzyć, wytrzeć lub szczelnie zapakować. Ponieważ wszystkie elementy urządzenia, które używane były w obszarze z substancjami szkodliwymi dla zdrowia lub zagrażającymi środowisku naturalnemu, traktuje się jako zanieczyszczone, należy zastosować odpowiednie środki bezpieczeństwa, aby zapobiec rozprzestrzenianiu się pyłu.
- ▶ Nigdy nie używać urządzenia bez kompletnego systemu filtracyjnego.



OSTROŻNIE

Niebezpieczeństwo obrażeń ciała w wyniku niekontrolowanego przemieszczania się odkurzacza! Przy odblokowanych kółkach może dojść do niekontrolowanego przemieszczania się odkurzacza.

- ▶ Zablokować kółka hamulcami w celu stabilnego ustawienia odkurzacza.

7.1 W przypadku odkurzaczy UM i UME ustawić średnicę węża

1. W celu zbierania/odsysania suchych, niepalnych pyłów z wartościami granicznymi ekspozycji oraz wiórów drewnianych należy ustawić włącznik do ustawiania średnicy węża odpowiednio do średnicy węża ssącego.
2. W przypadku eksploatacji odkurzacza z systemem wiertel rurowych **Hilti** należy ustawić najmniejszą średnicę węża.


7.2 Praca bez korzystania z gniazda zasilającego na urządzeniu

1. Przed włożeniem wtyczki do gniazda upewnić się, że wyłącznik główny ustawiony jest na "WYŁ.".
2. Włożyć wtyczkę sieciową odkurzacza do gniazda.




3. Obrócić wyłącznik główny na pozycję "WŁ".

7.3 Korzystanie z gniazda zasilającego na urządzeniu


 Gniazdo zasilające na urządzeniu przeznaczone jest wyłącznie do bezpośredniego podłączenia elektronarzędzi do odkurzacza.

Jeśli do gniazda zasilającego na urządzeniu podłączone jest jakieś elektronarzędzie, należy przestrzegać instrukcji obsługi tego elektronarzędzia oraz zawartych w niej przepisów bezpieczeństwa.

1. Wyciągnąć wtyczkę sieciową odkurzacza z gniazda.
2. Sprawdzić, czy maksymalny pobór mocy podłączanego elektronarzędzia nie przekracza dopuszczalnej maksymalnej mocy gniazda zasilającego na urządzeniu, patrz rozdział "Dane techniczne" i nadruk na gnieździe zasilającym.
3. Przed włożeniem wtyczki elektronarzędzia do gniazda upewnić się, że elektronarzędzie jest wyłączone.
4. Włożyć wtyczkę elektronarzędzia do gniazda zasilającego na urządzeniu.
5. Włożyć wtyczkę sieciową odkurzacza do gniazda.
6. Obrócić wyłącznik główny w pozycję "Auto".
7. Włączyć elektronarzędzie.

 Po wyłączeniu elektronarzędzia odkurzacz jeszcze przez chwilę będzie pracować, do całkowitego odessania pyłu znajdującego się w wężu ssącym.

7.4 Zbieranie suchego pyłu

 Przed przystąpieniem do odsysania suchego pyłu, zwłaszcza pyłu mineralnego, należy zawsze pamiętać o włożeniu odpowiedniego worka na pył do zbiornika. Dzięki temu zebrany materiał można w prosty sposób wyrzucić, nie powodując pylenia.

OSTROŻNIE

Niebezpieczeństwo obrażeń ciała. Jeśli nie zostanie zastosowany filtr, mogą wydostawać się niebezpieczne zassane przez odkurzacz substancje.

- ▶ Nigdy nie odkurzać bez filtra.
- ▶ Należy zadbać o to, aby filtr był suchy, a włożony worek na pył odpowiedni.

7.5 Zbieranie cieczy

OSTROŻNIE

Niebezpieczeństwo obrażeń ciała. Jeśli nie zostanie zastosowany filtr, mogą wydostawać się niebezpieczne zassane przez odkurzacz substancje.

- ▶ Nigdy nie odkurzać bez filtra.

1. Skontrolować poziom wypełnienia. → Strona 42
2. Do pracy na mokro używać w miarę możliwości oddzielnego filtra.

 Zalecany jest filtr **Hilti** VC 20/40 universal (2121387).

3. Po zassaniu cieczy otworzyć oba zaczepy zatraskowe.
4. Zdjąć głowicę ssącą ze zbiornika i postawić ją na płaskim podłożu, aby filtr mógł wyschnąć.
5. Opróżnić zbiornik i wypłukać go wodą z węża. Wyczyścić szczotką elektrody oraz, po uprzednim wysuszeniu, przetrzeć ręką filtr.
6. Pozostawić zbiornik do wysuszenia.

7.6 Po odkurzeniu

1. Wyłączyć elektronarzędzie.
2. Obróć wyłącznik główny na pozycję "WYŁ".
3. Wyciągnąć wtyczkę sieciową odkurzacza z gniazda.
4. Zwinać przewód przyłączeniowy i zawiesić na zaczepie.



5. Opróżnić zbiornik i wyczyścić urządzenie wilgotną ściereczką.
6. Zwinąć wąż.
7. Odstawić odkurzacza w suchym pomieszczeniu i zabezpieczyć przed niepowołanym użytkowaniem.

7.7 Opróżnianie zbiornika z suchych pyłów

1. Wyciągnąć wtyczkę sieciową z gniazda.
2. Zdjąć głowicę ssącą ze zbiornika i postawić ją na płaskim podłożu.
 - ↳ **W przypadku odkurzaczy UM i UME**
 - ▶ Wyjąć worek na pył ze zbiornika.
 - ↳ **W przypadku odkurzaczy U i UL**
 - ▶ Wyjąć worek na pył ze zbiornika lub chwycić za wgłębienie uchwytowe i przechylić zbiornik w celu opróżnienia.
3. Następnie nałożyć głowicę ssącą na zbiornik i zamknąć obydwa zaczepty zatraskowe.

7.8 Opróżnianie zbiornika bez worka na pył (w przypadku zbierania cieczy)

1. Wyciągnąć wtyczkę sieciową z gniazda.
2. Zdjąć głowicę ssącą ze zbiornika i postawić ją na płaskim podłożu.
3. Chwycić za wgłębienie uchwytowe i przechylić zbiornik w celu opróżnienia.
4. Wyczyścić brzeg zbiornika ściereczką.
5. Nałożyć głowicę ssącą na zbiornik i zamknąć obydwa zaczepty zatraskowe.

8 Konserwacja i utrzymanie urządzenia we właściwym stanie technicznym

8.1 Konserwacja urządzenia



OSTRZEŻENIE

Zagrożenie przez prąd elektryczny. Niefachowe wykonywanie napraw podzespołów elektrycznych może spowodować ciężkie obrażenia.

- ▶ Naprawy elementów elektrycznych mogą być wykonywane wyłącznie przez wykwalifikowanych elektryków.
-
- ▶ Należy zadbać o to, aby urządzenie, zwłaszcza uchwyty, były suche i czyste. Nie mogą one być zanieczyszczone smarem ani olejem. Nie używać środków konserwujących zawierających silikon.
 - ▶ Nigdy nie używać odkurzacza z niedrożnymi szczelinami wentylacyjnymi! Ostrożnie czyścić szczeliny wentylacyjne suchą szczotką. Obce ciała nie mogą wnikać do wnętrza urządzenia.
 - ▶ Zewnętrzne powierzchnie urządzenia regularnie przecierać lekko zwilżoną ściereczką. Do czyszczenia nie używać urządzeń rozpylających, myjek parowych ani bieżącej wody, ponieważ może to zagrażać bezpieczeństwu elektrycznemu urządzenia.


W przypadku odkurzaczy UL, UM i UME

Podczas prac konserwacyjnych i czyszczenia obchodzić się z urządzeniem tak, aby nie stwarzać zagrożenia dla personelu konserwacyjnego i osób trzecich.

- ▶ Zastosować wentylację z wykorzystaniem filtrów.
- ▶ Należy nosić odzież ochronną.
- ▶ Miejsce przeprowadzania konserwacji oczyścić tak, aby do otoczenia nie przedostawały się żadne niebezpieczne substancje.
- ▶ Przed usunięciem urządzenia z obszaru ze szkodliwymi dla zdrowia substancjami, urządzenie należy z zewnątrz odkurzyć, wytrzeć lub szczelnie zapakować. Unikać przy tym rozprzestrzeniania nagromadzonych, niebezpiecznych pyłów.
- ▶ Podczas konserwacji i naprawy wszystkie części, których nie udało się dokładnie wyczyścić, należy zapakować w szczelne worki i zutylizować zgodnie z obowiązującymi przepisami.
- ▶ Przynajmniej raz w roku należy przeprowadzać w serwisie **Hilti** lub zlecać wykwalifikowanemu personelowi kontrolę techniczną urządzenia, np. pod kątem uszkodzenia filtra, szczelności i działania mechanizmów kontrolnych.



8.2 Automatyczne czyszczenie filtra

 Nie czyścić filtra, stukając nim o twarde przedmioty lub za pomocą ostrych narzędzi. Może to prowadzić do skrócenia żywotności filtra.

Filtra nie wolno czyścić myjką wysokociśnieniową. Może to spowodować pęknięcia w materiale filtra.

Filtr jest częścią podlegającą zużyciu.

- ▶ Filtr wymieniać przynajmniej raz na pół roku.
- ▶ Jednak w przypadku intensywnej eksploatacji filtr należy wymieniać częściej.

8.3 Wymiana filtra

1. Wyciągnąć wtyczkę sieciową z gniazda.
2. Otworzyć zaczep zatraskowy osłony filtra.
3. Otworzyć osłonę filtra.
4. Ostrożnie wyjąć filtr za wgłębienia uchwytowe w mocowaniu.
5. Wyczyścić uszczelki ściereczką.
6. Włożyć nowy filtr.
7. Zamknąć osłonę filtra, zatraskując do przodu blokadę pokrywy.
8. Zamknąć zaczep zatraskowy osłony filtra.

8.4 Kontrola poziomu wypełnienia

1. Zablokować kółka hamulcami w celu stabilnego ustawienia odkurzacza.
2. Wyciągnąć wtyczkę sieciową z gniazda.
3. Otworzyć obydwa zaczepy zatraskowe.
4. Zdjąć głowicę ssącą ze zbiornika i postawić ją na płaskim podłożu.
5. Skontrolować gniazdo pod względem zanieczyszczeń i w razie potrzeby wyczyścić je szczotką.
6. Skontrolować uszczelkę głowicy ssącej pod względem zanieczyszczeń i w razie potrzeby wyczyścić ją ściereczką.
7. Nałożyć głowicę ssącą na zbiornik i zamknąć obydwa zaczepy zatraskowe.

8.5 Kontrola po wykonaniu czynności konserwacyjnych i związanych z utrzymaniem urządzenia

1. Po zakończeniu prac konserwacyjnych należy sprawdzić, czy odkurzaczy został odpowiednio zmontowany i działa prawidłowo.
2. Sprawdzić działanie urządzenia.

9 Transport i przechowywanie

9.1 Transport

Nie przenosić pełnego urządzenia.

Urządzenia nie wolno zawieszать na dźwigu.

- ▶ Ewentualnie usunąć kondycjoner sieciowy i nieprzymocowany osprzęt z mocowania.
- ▶ Urządzenie należy opróżnić przed przeniesieniem w inne miejsce.
- ▶ Nie przechylać urządzenia ani nie transportować go w poziomie, jeśli zassana została ciecz.
- ▶ Na czas transportu złączyć oba końce węża za pomocą adaptera stożkowego.

W przypadku odkurzaczy UM i UME

ZAGROŻENIE

Niebezpieczeństwo obrażeń ciała. Przez króciec wlotowy mogą wydostawać się niebezpieczne zassane przez odkurzaczy substancje.

- ▶ W odkurzaczach klasy M należy na czas transportu i przerw w użytkowaniu zatkać króciec wlotowy korkiem.

9.2 Przechowywanie

- ▶ Odstawić odkurzaczy w suchym pomieszczeniu i zabezpieczyć przed niepożądanym użytkowaniem.



10 Pomoc w przypadku awarii

W przypadku awarii, które nie zostały uwzględnione w tej tabeli lub których użytkownik nie jest w stanie usunąć sam, należy skontaktować się z serwisem **Hilti**.

10.1 Tabela usterek

Awaria	Możliwa przyczyna	Rozwiązanie
W przypadku odkurzaczy UM i UME Akustyczny sygnał ostrzegawczy (zmniejszona siła ssania)	Pełny worek na pył.	► Wymienić worek na pył.
	Filtr jest mocno zanieczyszczony.	► Jeśli automatyczne czyszczenia filtra jest dezaktywowane, należy je aktywować i włączyć odkurzacz na 30 sekund.
	Zapchany wąż ssący lub osłona przeciwpyłowa elektronarzędzia.	► Wyczyścić wąż ssący i osłonę przeciwpyłową.
	Przełącznik ustawiania średnicy węża w nieprawidłowej pozycji.	► Ustawić średnicę węża. ► Podczas wierceń wiertłem rurowym stosować wąż o średnicy 15 mm.
Z odkurzacza wydostaje się pył.	Filtr jest nieprawidłowo zamontowany.	► Ponownie zamontować filtr.
	Uszkodzony filtr.	► Zamontować nowy filtr.
Urządzenie włącza się i wyłącza samoczynnie lub przez użytkownika przepływa ładunek elektrostatyczny.	Ładunek elektrostatyczny nie jest prawidłowo odprowadzany, urządzenie nie jest przyłączone do uzziemionego gniazda sieciowego.	► Podłączyć urządzenie do uzziemionego gniazda, zastosować wąż antystatyczny.
Urządzenie nie daje się uruchomić lub wyłącza się po krótkim czasie.	Zadziałał wyłącznik dopływu wody.	► Wyczyścić szczotką czujniki i ich otoczenie.
Silnik nie działa.	Zadziałał bezpiecznik w gnieździe sieciowym.	► Włączyć bezpiecznik. ► W razie ponownego zadziałania, ustalić przyczynę powstawania nadmiaru prądu.
	Pełny zbiornik.	► Wyłączyć urządzenie i opróżnić zbiornik.
	Zadziałał wyłącznik termiczny silnika.	► Wyłączyć urządzenie i pozostawić do ostygnięcia na ok. 5 minut. ► Jeśli silnik nie zadziała, oddać urządzenie do serwisu Hilti .
	Wyłącznik termiczny wielokrotnie wyłącza silnik.	► Ostrożnie wyczyścić szczeliny wentylacyjne suchą szczotką.
Silnik nie działa w trybie pracy automatycznej.	Urządzenie jest uszkodzone lub nieprawidłowo podłączone.	► Skontrolować podłączone urządzenie pod kątem działania lub prawidłowo włożyć wtyczkę do gniazda.
Nie działa system automatycznego czyszczenia filtra.	Niepodłączony wąż ssący.	► Podłączyć wąż ssący do urządzenia.

11 Utylizacja

Produkty **Hilti** wykonane zostały w znacznej mierze z materiałów nadających się do powtórnego wykorzystania. Warunkiem recyklingu jest prawidłowa segregacja materiałów. W wielu krajach firma **Hilti** przyjmuje zużyte urządzenia w celu ponownego wykorzystania. Pytać należy w punkcie serwisowym **Hilti** lub doradcy handlowego.

Zgodnie z Europejską Dyrektywą w sprawie zużytego sprzętu elektrotechnicznego i elektronicznego oraz dostosowaniem jej do prawa krajowego, zużyte elektronarzędzia należy posegregować i zutylizować w sposób przyjazny dla środowiska.





-
- ▶ Nie wyrzucać elektronarzędzi z odpadami komunalnymi!
-

Płuczka wiertnicza

Z punktu widzenia ochrony środowiska spuszczenie płuczki wiertniczej do wód gruntowych lub kanalizacji bez odpowiedniego uzdatnienia jest problematyczne.

- ▶ Należy skonsultować się z lokalnymi władzami w związku z obowiązującymi przepisami w tym względzie.

Zaleca się następujący sposób uzdatniania:

- ▶ Płuczki wiertnicze należy zbierać (np. za pomocą odkurzacza do pracy na mokro).
- ▶ Odczekać, aż płuczka wiertnicza się osadzi i usunąć osad na wysypisko gruzu budowlanego (proces wytrącania się osadu można przyspieszyć środkami koagulującymi).
- ▶ Przed wylaniem pozostałej wody (zasadowa, wartość $\text{pH} > 7$) do kanalizacji, należy ją zneutralizować poprzez dodanie kwasowego środka neutralizującego lub rozcieńczyć dużą ilością wody.

Zwierziny

- ▶ Zwierziny należy utylizować zgodnie z przepisami prawnymi obowiązującymi w danym kraju.

12 Gwarancja producenta na urządzenia

- ▶ W razie pytań dotyczących warunków gwarancji należy skontaktować się z lokalnym przedstawicielem **Hilti**.



1 Údaje k dokumentaci

1.1 O této dokumentaci

- Před uvedením do provozu si přečtěte tuto dokumentaci. Je to předpoklad pro bezpečnou práci a bezproblémové zacházení.
- Dodržujte bezpečnostní a varovné pokyny uvedené v této dokumentaci a na výrobku.
- Návod k obsluze mějte uložený vždy u výrobku a dalším osobám předávejte výrobek jen s tímto návodem.

1.2 Vysvětlení značek

1.2.1 Varovná upozornění

Varovná upozornění varují před nebezpečím při zacházení s výrobkem. Byla použita následující signální slova:

NEBEZPEČÍ

NEBEZPEČÍ !

- ▶ Používá se k upozornění na bezprostřední nebezpečí, které by mohlo vést k těžkému poranění nebo k smrti.

VÝSTRAHA

VÝSTRAHA !

- ▶ Používá se k upozornění na potenciální nebezpečí, které může vést k těžkým poraněním nebo k smrti.





POZOR

POZOR !

- ▶ Používá se k upozornění na potenciálně nebezpečnou situaci, která by mohla vést k lehkým poraněním nebo k věcným škodám.


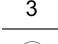
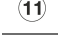


1.2.2 Symboly v dokumentaci

V našich dokumentacích jsou použity následující symboly:

	Před použitím si přečtěte návod k obsluze.
	Pokyny k používání a ostatní užitečné informace
	Zacházení s recyklovatelnými materiály
	Elektrické nářadí a akumulátory nevyhazujte do směsného odpadu.

1.2.3 Symboly na obrázcích

Na našich obrázcích jsou použity následující symboly:

	Tato čísla odkazují na příslušný obrázek na začátku tohoto návodu
	Číslování udává pořadí pracovních kroků na obrázku a může se lišit od pracovních kroků v textu.
	Čísla pozic jsou uvedena na obrázku Přehled a odkazují na čísla z legendy v části Přehled výrobku
	Tato značka znamená, že byste měli manipulaci s výrobkem věnovat zvláštní pozornost.
	Bezdrátový přenos dat

1.2.4 Doplnující symboly

Na výrobku byly použity následující symboly:





Zákaz transportu pomocí jeřábu

1.3 Symboly v závislosti na výrobku

1.3.1 Symboly na výrobku

Na výrobku byly použity následující symboly:



Varování před horkým povrchem



Zákaz transportu pomocí jeřábu

1.4 Speciální nálepky na výrobku

U vysavačů UL



UPOZORNĚNÍ: Tento vysavač obsahuje zdraví škodlivý prach. Vyprazdňování a údržbu, včetně odstraňování vaku na prach, smí provádět pouze odborný personál, který nosí vhodné osobní ochranné vybavení. Nezapínejte, dokud není nainstalovaný kompletní filtrační systém.

U vysavačů UM a UME



UPOZORNĚNÍ: Tento vysavač obsahuje zdraví škodlivý prach. Vyprazdňování a údržbu, včetně odstraňování vaku na prach, smí provádět pouze odborný personál, který nosí vhodné osobní ochranné vybavení. Nezapínejte, dokud není nainstalovaný kompletní filtrační systém a přezkoušená funkce kontroly objemu proudění vzduchu.

1.5 Informace o výrobku

Výrobky jsou určeny pro profesionální uživatele a smí je obsluhovat, ošetřovat a provádět jejich údržbu pouze autorizovaný a instruovaný personál. Tento personál musí být speciálně informován o vyskytujících se nebezpečích, s nimiž by se mohl setkat. Výrobek a jeho pomůcky mohou být nebezpečné, pokud s nimi nesprávně zachází nevyškolený personál nebo pokud se nepoužívají v souladu s určeným účelem.

Typové označení a sériové číslo jsou uvedeny na typovém štítku.

- Poznamenejte si sériové číslo do následující tabulky. Údaje výrobku budete potřebovat při dotazech adresovaných našemu zastoupení nebo servisu.

Údaje o výrobku

Vysavač na suché a mokré sání	VC 20-U VC 20-UL VC 20-UM VC 20-UME VC 40-U VC 40-UL VC 40-UM VC 40-UME
Generace	02
Sériové číslo	

1.6 Prohlášení o shodě

Prohlašujeme na výhradní zodpovědnost, že zde popsaný výrobek je ve shodě s platnými směrnici a normami. Kopii prohlášení o shodě najdete na konci této dokumentace.

Technické dokumentace jsou uloženy zde:



2 Bezpečnost

2.1 Všeobecné bezpečnostní pokyny

Vedle bezpečnostních pokynů uvedených v jednotlivých kapitolách tohoto návodu k obsluze je nutno vždy striktně dodržovat následující ustanovení.

- ▶ **Přečtěte si všechny pokyny!** Nedodržování následujících pokynů může vést k úrazu elektrickým proudem, požáru a/nebo k těžkým poraněním.
- ▶ **Při použití zařízení ve spojení s elektrickým náradím si předem přečtěte návod k obsluze elektrického nářadí a dodržujte všechny pokyny.**
- ▶ Úpravy nebo změny na zařízení nejsou dovoleny.
- ▶ **Používejte správné zařízení.** Nepoužívejte zařízení k účelům, pro které není určené, nýbrž pouze k určenému účelu a v bezvadném stavu.
- ▶ Dříve než budete se zařízením pracovat, informujte se o zacházení s ním, možných nebezpečích způsobených materiálem a o likvidaci vysátého materiálu.
- ▶ Zohledněte vlivy okolí. Nepoužívejte zařízení tam, kde existuje nebezpečí požáru nebo exploze.
- ▶ Zařízení smí používat pouze osoby, které jsou s ním seznámené, byly poučeny o bezpečném používání a chápou s tím spojená rizika. Zařízení není určené pro děti.
- ▶ Nepoužívaná zařízení uchovávejte v bezpečí. Zařízení, které se nepoužívá, musí být uloženo na suchém, výše položeném nebo uzavřeném místě mimo dosah dětí.

2.2 Bezpečnost osob

- ▶ **Bud'te pozorní, dávejte pozor na to, co děláte, a přistupujte k práci s výrobkem rozumně.** Vysavač nepoužívejte, když jste unavení nebo pod vlivem drog, alkoholu či léků. Moment nepozornosti při používání zařízení může vést k vážným úrazům.
- ▶ **Obsluha a osoby, které se zdržují v blízkosti, musí během používání a údržby zařízení používat vhodné ochranné brýle, ochrannou helmu, ochranu sluchu, ochranné rukavice, bezpečnostní obuv a lehký respirátor.**
- ▶ **Pro bezpečnou stabilitu vysavače zajistěte brzdy koleček.** S nezajištěnými brzdami koleček se vysavač může nekontrolovaně začít pohybovat.
- ▶ **Pokud lze namontovat odsávání prachu nebo zařízení na zachycení prachu, zkontrolujte, zda jsou připojené a používají se správně.** Použitím odsávání prachu můžete snížit ohrožení vlivem prachu.

2.3 Pečlivé zacházení se zařízením a jeho používání

- ▶ **Nikdy nenechávejte zařízení bez dozoru.**
- ▶ **Při vysávání nebezpečného prachu nedeaktivujte čištění filtru, zejména při použití prašného elektrického nářadí.**
- ▶ **Chraňte vysavač před mrazem.**
- ▶ **Zařízení pro kontrolu hladiny vody pravidelně čistěte podle návodu kartáčkem a kontrolujte, zda nejví známky poškození.**
- ▶ **Při nasazování hlavy vysavače dbejte na to, abyste se neskřípli a nepoškodili síťový kabel.** Hrozí nebezpečí poranění a poškození.
- ▶ **Zkontrolujte, zda zařízení a příslušenství nejsou poškozené.** Před dalším použitím je nutné pečlivě zkontrolovat ochranná zařízení nebo lehce poškozené díly, zda bezvadně a správně fungují. Zkontrolujte, zda pohyblivé díly fungují bezvadně a zda neváznou, nebo zda nejsou díly poškozené. Veškeré díly musí být správně namontované a splňovat všechny podmínky pro zajištění bezvadného provozu zařízení.
- ▶ **Zařízení svěřujte do opravy pouze kvalifikovaným odborným pracovníkům, kteří mají k dispozici originální náhradní díly.** Tak zajistíte, že zařízení bude i po opravě bezpečné.
- ▶ **Pokud zařízení nepoužíváte (během přestávek v práci), před prováděním péče a údržby, před výměnou příslušenství nebo filtru vždy vytáhněte síťovou zástrčku ze zásuvky.** Toto preventivní opatření zabrání neúmyslnému zapnutí zařízení.
- ▶ **Vysavač nikdy nepřesunujte do jiné pracovní polohy taháním za síťový kabel.** Nepřejíždějte vysavačem síťový kabel.
- ▶ **Zařízení nepřemísťujte pomocí jeřábu.**

Navíc u vysavačů UM a UME

- ▶ **Při přepravě a pokud zařízení nepoužíváte, zavřete sací hrdlo uzavírací objímkou.**



2.4 Elektrická bezpečnost

- ▶ **Síťová zástrčka zařízení musí odpovídat zásuvce. Zástrčka nesmí být žádným způsobem upravována. U zařízení s ochranným uzemněním nepoužívejte žádné adaptéry.** Neupravované zástrčky a odpovídající zásuvky snižují riziko úrazu elektrickým proudem.
- ▶ **Zástrčku zapojte do vhodné uzemněné zásuvky, která je bezpečně nainstalovaná a splňuje všechny místní předpisy. Pokud si nejste jisti, že je zásuvka uzemněná, nechte ji zkontrolovat odborníkem s elektrotechnickou kvalifikací.**
- ▶ **Nedotýkejte se uzemněných povrchů, např. trubek, topení, sporáků a chladniček.** Při tělesném kontaktu s uzemněním hrozí zvýšené riziko úrazu elektrickým proudem.
- ▶ **Zařízení chraňte před deštěm a vlhkem.** Vniknutí vody do elektrického zařízení zvyšuje nebezpečí úrazu elektrickým proudem.
- ▶ **Zkontrolujte, zda síťový kabel neleží ve vodě.**
- ▶ **Pravidelně kontrolujte přívodní kabel zařízení a v případě poškození ho nechte vyměnit v servisním oddělení Hilti. Pravidelně kontrolujte prodlužovací kabely a v případě poškození je vyměňte.**
- ▶ **Pokud dojde při práci k poškození síťového kabelu a/nebo prodlužovacího kabelu, nesmíte se jich dotýkat. Vytáhněte síťovou zástrčku ze zásuvky.** Poškozené síťové a prodlužovací kabely představují nebezpečí úrazu elektrickým proudem.
- ▶ Síťový kabel smí být vyměněn pouze za typ uvedený v návodu k obsluze.
- ▶ **Síťový kabel použijte jen k tomu účelu, pro který je určený. Nepoužívejte jej zejména k nošení či zavěšování zařízení ani k vytažování zástrčky ze zásuvky. Kabel ved'te vždy v bezpečné vzdálenosti od zdrojů tepla, ostrých hran a pohyblivých dílů, zamezte styku s olejem.** Poškozené nebo zamotané kabely zvyšují riziko úrazu elektrickým proudem.
- ▶ **Pokud pracujete s elektrickým zařízením venku, používejte pouze takové prodlužovací kabely, které jsou vhodné i pro venkovní použití.** Použití prodlužovacího kabelu, který je vhodný pro použití venku, snižuje riziko úrazu elektrickým proudem.
- ▶ **Při výpadku proudu zařízení vypněte a vytáhněte síťovou zástrčku ze zásuvky.**
- ▶ **Zásuvku vysavače používejte pouze pro účely, které jsou uvedené v návodu k obsluze.**
- ▶ **Nikdy nepoužívejte zařízení ve špinavém nebo mokřém stavu.** Prach usazený na povrchu zařízení, především z vodivých materiálů, nebo vlhkost mohou za nepříznivých podmínek způsobit úraz elektrickým proudem. **Především pokud často opraváváte vodivé materiály, nechte znečištěná zařízení v pravidelných intervalech zkontrolovat v servisu Hilti.**

2.5 Pracoviště

- ▶ **Zajistěte dobré osvětlení pracoviště.**
- ▶ **Zajistěte dobré větrání pracoviště.** Špatně větrané pracoviště může ohrozit zdraví kvůli zatížení prachem.
- ▶ **Udržujte své pracoviště v pořádku. Z pracoviště odstraňte všechny předměty, kterými byste se mohli poranit.** Nepořádek na pracovišti může mít za následek úrazu.
- ▶ **Se zařízením nepracujte v prostředích s nebezpečím výbuchu, kde se nacházejí hořlavé kapaliny, plyny nebo prach.** Elektrická zařízení jiskří; od těchto jisker se mohou prach nebo páry vznítit.
- ▶ **Obzvláště opatrní buďte při práci na schodech.**

2.6 Vysávání materiál

- ▶ **Je zakázáno vysávat zdraví škodlivý, hořlavý a/nebo výbušný prach (hořčikovo-hliníkový prach atd.). Nesmí se vysávat materiály s teplotou nad 60 °C (140 °F) (např. doutnající cigarety, horký popel).**
- ▶ **Je zakázáno vysávání hořlavých, výbušných, agresivních kapalin (chladicí a mazací prostředky, benzin, ředidla, kyseliny [pH < 5], louhy [pH > 12,5] atd.).**
- ▶ **V případě, že uniká pěna nebo kapalina, zařízení okamžitě vypněte.**
- ▶ **Při vysávání horkého materiálu do max. 60 °C (140 °F) noste ochranné rukavice.**
- ▶ **Při práci s minerálním vrtným kalem používejte ochranný pracovní oděv a zabraňte potřísnění pokožky (pH > 9, leptavé).**
- ▶ **Zabraňte kontaktu se zásaditými nebo kyselými kapalinami. Při náhodném kontaktu opláchněte postižené místo vodou. Jestliže se tato kapalina dostane do očí, vypláchněte je velkým množstvím vody a vyhledejte lékaře.**



Navíc u vysavačů UL

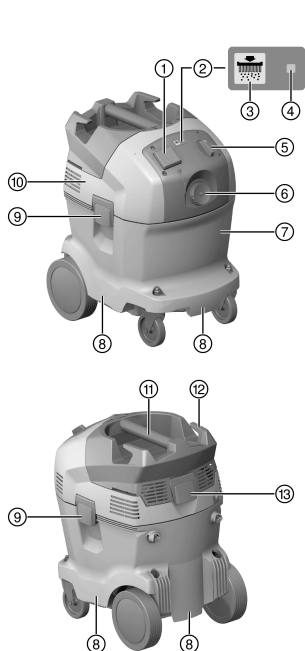
- Zařízení třídy prachu L je vhodné pro vysávání/odsávání suchého, nehořlavého prachu, dřevěných třísek a nebezpečného prachu s mezními hodnotami expozice $> 1 \text{ mg/m}^3$. **Podle míry nebezpečí vysávaného/odsávaného prachu musí být vysavač vybavený vhodnými filtry.**

Navíc u vysavačů UM a UME

- Zařízení třídy prachu M je vhodné pro vysávání/odsávání suchého, nehořlavého prachu, dřevěných třísek a nebezpečného prachu s mezními hodnotami expozice $\geq 0,1 \text{ mg/m}^3$. **Podle míry nebezpečí vysávaného/odsávaného prachu musí být vysavač vybavený vhodnými filtry.**

3 Popis

3.1 Přehled výrobku



- ① Zásuvka vysavače
- ② Automatické čištění filtru
- ③ Tlačítko „zapnutí/vypnutí čištění filtru“ (pouze UL a UME)
- ④ Ukazatel stavu „automatické čištění filtru“
- ⑤ Spínač zařízení
- ⑥ Sací hrdlo
- ⑦ Sběrná nádoba
- ⑧ Prohlubeň pro uchopení
- ⑨ Uzavírací spona
- ⑩ Hlava vysavače
- ⑪ Rukojeť
- ⑫ Háček na kabel
- ⑬ Uzavírací spona krytu filtru

3.2 Použití v souladu s určeným účelem

Zde popsané výrobky jsou univerzální průmyslové vysavače pro komerční použití. Lze je používat pro suché a mokré sání.

Tento výrobek se nesmí používat pro vysávání osob a zvířat. Použití pod vodou je zakázáno.

VÝSTRAHA

Ohrožení zdraví! Vysavače U nejsou vhodné pro vysávání zdraví škodlivého prachu.

- S těmito modely nevysávejte zdraví škodlivý prach.
- Dříve než budete s výrobkem pracovat, informujte se o zacházení s ním, nebezpečích způsobených materiálem a bezpečně likvidaci materiálu.
- Nepoužívejte výrobek v trvalém stacionárním provozu, v automatických nebo poloautomatických zařízeních.
- Používejte pouze originální příslušenství a nástroje společnosti **Hilti**, abyste zabránili nebezpečí poranění.
- Abyste zabránili vzniku elektrostatického výboje, použijte antistatickou sací hadici.
- Nevysávejte předměty, které by přes vak na prach mohly způsobit poranění (například špičaté nebo ostré kusy).



- ▶ Nepoužívejte výrobek místo žebříku.

Tento výrobek je vhodný pouze pro následující komerční použití:

- Odsávání velkého množství prachu s diamantovými bruskami, dělicími bruskami, vrtacími kladivý a korunkami pro vrtání za sucha **Hilti**.
- Odsávání minerálního vrtného kalu s diamantovými vrtacími korunkami **Hilti**, resp. diamantovými pilami **Hilti** a kapalin do teploty < 60 °C (140 °F).
- Odsávání oleje a tekutých médií do teploty < 60 °C (140 °F).
- Suché a mokré čištění zdí a podlah

Navíc u vysavačů UL

Odsávání suchého, nehořlavého prachu, kapalin, dřevěných třísek a nebezpečného prachu s mezními hodnotami expozice > 1 mg/m³ (třída prachu L).

Navíc u vysavačů UM a UME

Odsávání suchého, nehořlavého prachu, kapalin, dřevěných třísek a nebezpečného prachu s mezními hodnotami expozice ≥ 0,1 mg/m³ (třída prachu M).

Navíc u vysavačů UL, UM a UME

U vysavačů je důležité pamatovat na dostatečnou míru výměny vzduchu L v místnosti, pokud se výstupní vzduch vrací do místnosti. Dodržujte národní předpisy.

3.3 Možné nesprávné použití

- Průmyslový vysavač se nesmí používat položený na boku.
- Průmyslový vysavač se nesmí používat k vysávání výbušných látek, žhavých, hořících nebo hořlavých látek a agresivního prachu (například hořčikovo-hliníkového prachu) (výjimka: dřevěné třísky).
- Průmyslový vysavač se nesmí používat k vysávání hořlavých tekutin (například benzínu, ředidel, kyselin, chladicích a mazacích prostředků).
- Nesmí se pracovat s materiály ohrožujícími zdraví (např. azbest).

3.4 Obsah dodávky

Vysavač na suché a mokré sání včetně filtrační vložky, kompletní sací hadice s otočnou objímkou (na straně vysavače) a objímka pro náradí, plastový vak na prach PE VC 20/40, návod k obsluze.

3.5 Akustický výstražný signál

Vysavače UM a UME jsou vybavené akustickým výstražným signálem. Ten zní z bezpečnostních důvodů, pokud klesne rychlost vzduchu v sací hadici pod 20 m/s.

Aby správně fungoval výstražný signál, musí se u nastavení průměru sací hadice nastavit průměr použité sací hadice.

3.6 Automatické čištění filtru

Vysavač je vybavený automatickým čištěním filtru, pomocí kterého se filtrační vložka v maximální míře zbaví zachyceného prachu.

Čištění filtru lze vypnout tlačítkem "zapnutí/vypnutí automatického čištění filtru" a opětovným stisknutím znovu zapnout.

Stav	Význam
LED svítí.	• Čištění filtru je aktivované.
LED nesvítí.	• Čištění filtru je deaktivované.

Čištění filtru se automaticky aktivuje při každém spuštění vysavače.

Filtrační vložka se automaticky čistí rázem vzduchu (tepající zvuky).

- i** Při systémovém použití (zejména při broušení, řezání a drážkování) nebo při vysávání většího množství prachu musí být čištění filtru aktivované, aby byl umožněn trvalý vysoký sací výkon. Čištění filtru funguje pouze při připojení sací hadici.



3.7 Pokyny pro použití

Příslušenství a způsoby jeho použití

Příslušenství	Způsob použití
Plastový vak na prach PE VC 20 (203854)	použití na minerální látky, mokré a suché sání
Plastový vak na prach PE VC 40 (203852)	použití na minerální látky, mokré a suché sání
Papírový vak na prach VC 20 (203858)	použití na dřevo
Papírový vak na prach VC 40 (203856)	použití na dřevo
Filtr VC 20/40 suchý (2121386)	suché sání
Filtr VC 20/40 univerzální (2121387)	univerzální na mokré a suché sání
Filtr VC 20/40 performance (2121388)	intenzivní použití pro mokré a suché sání
Sací hadice 27 x 3,5 m AS	mokré a suché sání
Sací hadice 36 mm	převážně mokré sání, nikoli na prach
Sací hadice 36 x 5 m AS	mokré a suché sání

- U vysavačů UM a UME bezpodmínečně použijte plastový nebo papírový vak na prach.

4 Technické údaje

4.1 Vysavač na suché a mokré sání

	VC 20	VC 40
Rozměry (D x Š x V v mm)	505 x 380 x 500	505 x 380 x 610
Hmotnost podle standardu EPTA 01	13,0 kg	14,7 kg
Objem sběrné nádoby	21 ℓ	36 ℓ
Užitné množství prachu	23 kg	40 kg
Plnicí množství vody	13,5 ℓ	25 ℓ
Provozní teplota	-10 °C ... 40 °C	-10 °C ... 40 °C
Automatické čištění filtru každé	15 s	15 s
Třída ochrany	I	I
Stupeň ochrany	IP X4	IP X4
Síťová frekvence	50 Hz ... 60 Hz	50 Hz ... 60 Hz

4.2 Jmenovité napětí



Při provozu s generátorem nebo transformátorem musí být jeho výstupní výkon minimálně dvojnásobný, než je jmenovitý příkon uvedený na typovém štítku nářadí. Provozní napětí transformátoru nebo generátoru musí být neustále v rozmezí +5 % až -15 % jmenovitého napětí nářadí.

•/•	100 Volt [V]	110 Volt [V]	110 Volt [V]	200 Volt [V]
Jmenovitý příkon	1 200 watt [W]	1 100 watt [W]	1 100 watt [W]	950 watt [W]
Připojovací příkon integrované zásuvky vysavače pro elektrické nářadí (je-li k dispozici)	•/•	1 600 watt [W]	•/•	•/•
Síťová přípojka (typ)	VCTF 3 x 2,0 mm ²	A07 QQF 3 / 12 AWG	H07 BQF 3G 1,5 mm ²	VCTF 3 x 2,0 mm ²
•/•	220–240 Volt [V]	220–240 (CH) Volt [V]	220–240 (GB) Volt [V]	220–240 (NZ) Volt [V]
Jmenovitý příkon	1 200 watt [W]	1 200 watt [W]	1 200 watt [W]	1 200 watt [W]



Připojovací příkon integrované zásuvky vysavače pro elektrické nářadí (je-li k dispozici)	2 400 watt [W]	1 100 watt [W]	1 800 watt [W]	1 200 watt [W]
Síťová přípojka (typ)	H07 RNF 3G 1,5 mm ²	H07 RNF 3G 1,5 mm ²	H07 RNF 3G 1,5 mm ²	H07 RNF 3G 1,5 mm ²

4.3 Maximální objem proudění a maximální podtlak

		VC 20-U	VC 20-UL	VC 20-UM	VC 20-UME
Maximální objem proudění (vzduchu)	950 W	68 l/s	•/•	•/•	•/•
	1 100 W	68 l/s	•/•	•/•	•/•
	1 200 W	74 l/s	•/•	•/•	•/•
Maximální objem proudění (vzduchu)	1 100 W	•/•	138 m ³ /h	138 m ³ /h	138 m ³ /h
	1 200 W	•/•	150 m ³ /h	150 m ³ /h	150 m ³ /h
Maximální podtlak	950 W	235 hPa	•/•	•/•	•/•
	1 100 W	230 hPa	209 hPa	209 hPa	209 hPa
	1 200 W	253 hPa	253 hPa	253 hPa	253 hPa

		VC 40-U	VC 40-UL	VC 40-UM	VC 40-UME
Maximální objem proudění (vzduchu)	950 W	68 l/s	•/•	•/•	•/•
	1 100 W	68 l/s	•/•	•/•	•/•
	1 200 W	74 l/s	•/•	•/•	•/•
Maximální objem proudění (vzduchu)	1 100 W	•/•	138 m ³ /h	138 m ³ /h	138 m ³ /h
	1 200 W	•/•	150 m ³ /h	150 m ³ /h	150 m ³ /h
Maximální podtlak	950 W	235 hPa	•/•	•/•	•/•
	1 100 W	230 hPa	209 hPa	209 hPa	209 hPa
	1 200 W	253 hPa	253 hPa	253 hPa	253 hPa

4.4 Informace o hlučnosti a vibracích (měřeno podle EN 60335)

Následující údaje platí pro všechny průmyslové vysavače VC 20 a VC 40.

Hladina emitovaného akustického tlaku (L_{pA})	73 dB(A)
Nejistota pro hladinu akustického tlaku (K_{pA})	2,5 dB(A)
Hodnota emitovaných vibrací	< 2,5 m/s ²

5 Používání prodlužovacích kabelů

VÝSTRAHA

Nebezpečí způsobené poškozenými kabely! Jestliže se při práci poškodí síťový nebo prodlužovací kabel, nesmíte se kabelu dotýkat. Vytáhněte síťovou zástrčku ze zásuvky.

► Pravidelně kontrolujte přívodní kabel zařízení a v případě poškození jej dejte vyměnit kvalifikovanému odborníkovi.

- Používejte pouze prodlužovací kabely s dostatečným průřezem schválené pro danou oblast použití. Jinak může dojít k poklesu výkonu nářadí a přehřátí kabelu.
- Pravidelně kontrolujte, zda prodlužovací kabel není poškozený.
- Poškozené prodlužovací kabely vyměňte.
- Venku používejte pouze prodlužovací kabely, které jsou pro to schváleny a příslušně označeny.

Doporučené minimální průřezy a maximální délky kabelů při síťovém napětí 120 V

Kabel	AWG 16	AWG 14	AWG 12	AWG 10
Průřez vodiče	1,31 mm ²	2,08 mm ²	3,31 mm ²	5,26 mm ²
Průřez vodiče	2,58 kcmil	4,11 kcmil	6,53 kcmil	10,4 kcmil
Délka kabelu	25 m	30 m	50 m	100 m



Kabel	AWG 16	AWG 14	AWG 12	AWG 10
Délka kabelu	75 ft	100 ft	150 ft	250 ft

6 Uvedení do provozu

NEBEZPEČÍ

Nebezpečí způsobené elektrickým proudem. Pokud vysavač není řádně připojený, může to způsobit smrtelná nebo těžká poranění.

- ▶ Vysavač připojujte jen k řádně uzemněnému zdroji elektrického proudu.

POZOR

Nebezpečí poranění nekontrolovanými pohyby! S nezajištěnými brzdami koleček se vysavač může nekontrolovaně začít pohybovat.

- ▶ Pro bezpečnou stabilitu vysavače zajistěte brzdy koleček.

6.1 První uvedení do provozu



Plastový vak na prach: K vysávání bezpečného prachu

Plastový vak na minerální prach nebo papírový vak na prach na dřevěné třísky:

- > třída M pro vysávání prachu s mezními hodnotami expozice $\geq 0,1$ mg/m³
- > třída L nebo M pro vysávání prachu s mezními hodnotami expozice > 1 mg/m³

1. Otevřete obě uzavírací spony.
2. Ze sběrné nádoby sejměte hlavu vysavače.
3. Ze sběrné nádoby vyjměte příslušenství a vybalte ho.
4. Hlavu vysavače nasadte na sběrnou nádobu a zavřete obě uzavírací spony.
5. Ujistěte se, že je hlava vysavače správně nasazená a zajištěná.
6. K vysavači připojte sací hadici.

6.2 Vložení papírového vaku na prach pro vysávání dřevěných třísek 2



Špičaté předměty by mohly protrhnout vak na prach.

Zkontrolujte, zda nedošlo k protržení vaku na prach nějakým předmětem.

1. Vytáhněte síťovou zástrčku ze zásuvky.
2. Otevřete obě uzavírací spony.
3. Ze sběrné nádoby sejměte hlavu vysavače.
4. Nasadte nový papírový vak na prach do adaptéru a vložte ho do sběrné nádoby.
5. Hlavu vysavače nasadte na sběrnou nádobu.
6. Zavřete obě uzavírací spony.
7. Ujistěte se, že je hlava vysavače správně nasazená a zajištěná.
8. K vysavači připojte sací hadici.

6.3 Vložení plastového vaku na prach 3

1. Vytáhněte síťovou zástrčku ze zásuvky.
2. Otevřete obě uzavírací spony.
3. Ze sběrné nádoby sejměte hlavu vysavače.
4. Do sběrné nádoby připevněte nový vak na prach (návod na potisku).
5. Hlavu vysavače nasadte na sběrnou nádobu a zavřete obě uzavírací spony.



**VÝSTRAHA**

Nebezpečí poranění. Při poškození filtračního systému může unikat zdraví škodlivý prach.

- ▶ V případě nouze (např. při prasknutí filtru) vysavač vypněte, vytáhněte síťovou zástrčku ze zásuvky a před dalším používáním nechte vysavač zkontrolovat odborným personálem.

**NEBEZPEČÍ**

Nebezpečí poranění. Vysavače třídy L a vysavače třídy M obsahují zdraví škodlivý prach.

- ▶ Vyprazdňování a údržbu, včetně odstraňování sběrné nádoby na prach, smí provádět pouze odborný personál. Noste odpovídající ochranné vybavení.
- ▶ Než vysavač odstraníte z oblasti zatížené nebezpečnými látkami, vysajte jeho povrch, důkladně ho otřete nebo neprodyšně zabalte. Protože při přemísťování z nebezpečné oblasti je třeba všechny části zařízení považovat za znečištěné, proveďte vhodná opatření, abyste zabránili šíření prachu.
- ▶ Vysavač nikdy nepoužívejte bez kompletního filtračního systému.

**POZOR**

Nebezpečí poranění nekontrolovanými pohyby! S nezajištěnými brzdami koleček se vysavač může nekontrolovaně začít pohybovat.

- ▶ Pro bezpečnou stabilitu vysavače zajistěte brzdy koleček.

7.1 Nastavení průměru sací hadice u vysavačů UM a UME

1. Pro vysávání/odsávání suchého, nehořlavého prachu s mezními hodnotami expozice a dřevěných třísek přizpůsobte průměr hadice nastavením spínače pro nastavení průměru hadice.
2. Pokud vysavač používáte se systémem s dutými vrtáky **Hilti**, přepněte na nejmenší průměr hadice.

7.2 Provoz bez použití zásuvky pro elektrické nářadí

1. Před zapojením síťové zástrčky zkontrolujte, zda je spínač v poloze "OFF".
2. Zapojte síťovou zástrčku vysavače do zásuvky.
3. Spínač otočte do polohy "ON".

7.3 Provoz s využitím zásuvky vysavače

Zásuvka vysavače je určena pouze k přímému připojení elektrického nářadí k vysavači.

Je-li v zásuvce vysavače zapojené elektrické nářadí, je nutné dodržovat pokyny návodu k obsluze a v něm obsažená bezpečnostní upozornění.

1. Vytáhněte síťovou zástrčku vysavače ze zásuvky.
2. Zkontrolujte, zda je maximální příkon připojovaného elektrického nářadí nižší než přípustný maximální výkon zásuvky vysavače, viz kapitolu "Technické údaje" a potisk na zásuvce vysavače.
3. Před zapojením síťové zástrčky elektrického nářadí zkontrolujte, zda je elektrické nářadí vypnuté.
4. Síťovou zástrčku elektrického nářadí zapojte do zásuvky vysavače.
5. Zapojte síťovou zástrčku vysavače do zásuvky.
6. Spínač otočte do polohy "Auto".
7. Zapněte elektrické nářadí.



Po vypnutí elektrického nářadí vysavač ještě chvíli dobíhá, aby došlo k odsátí prachu nacházejícího se v sací hadici.

7.4 Vysávání suchého prachu

Před vysáváním suchého a zejména minerálního prachu je vždy nutné zkontrolovat, zda je ve sběrné nádobě vložený správný vak na prach. Vysátý materiál lze potom snadno a čistě zlikvidovat.



⚠ POZOR

Nebezpečí poranění. Bez použití filtrační vložky může unikat nebezpečný vysátý materiál.

- ▶ Nikdy nevysávejte bez filtrační vložky.
- ▶ Dbejte na to, aby byla filtrační vložka suchá a byl vložený vhodný vak na prach.

7.5 Vysávání kapalin

⚠ POZOR

Nebezpečí poranění. Bez použití filtrační vložky může unikat nebezpečný vysátý materiál.

- ▶ Nikdy nevysávejte bez filtrační vložky.

1. Zkontrolujte kontrolu stavu naplnění. → Strana 56
2. Pro mokré sání používejte pokud možno samostatnou filtrační vložku.



Doporučujeme filtr **Hilti** VC 20/40 universal (2121387).

3. Po vysávání kapalin otevřete obě uzavírací spony.
4. Ze sběrné nádoby sejměte hlavu vysavače a postavte ji na rovný podklad, aby mohla filtrační vložka vyschnout.
5. Vyprázdněte sběrnou nádobu a vyčistěte ji hadicí na vodu. Kartáčkem vyčistěte elektrody a filtrační vložku po předchozím uschnutí otřete rukou.
6. Nechte sběrnou nádobu vyschnout.

7.6 Po vysávání

1. Vypněte elektrické nářadí.
2. Spínač vysavače otočte do polohy "OFF".
3. Vytáhněte síťovou zástrčku vysavače ze zásuvky.
4. Přívodní kabel stočte a zavěste na hák na kabel.
5. Vyprázdněte sběrnou nádobu a zařízení vyčistěte vlhkým hadrem.
6. Stočte hadici.
7. Vysavač odstavte v suché místnosti tak, aby byl chráněn před neoprávněným použitím.

7.7 Vyprázdnění sběrné nádoby při vysávání suchého prachu

1. Vytáhněte síťovou zástrčku ze zásuvky.
2. Hlavu vysavače sejměte ze sběrné nádoby a postavte ji na rovný podklad.
 - ↳ **U vysavačů UM a UME**
 - ▶ Ze sběrné nádoby vyjměte vak na prach.
 - ↳ **U vysavačů U a UL**
 - ▶ Vyjměte ze sběrné nádoby vak na prach nebo uchopte nádobu za prohlubně a nakloňte ji tak, abyste ji vyprázdnili.
3. Poté hlavu vysavače nasadte na sběrnou nádobu a zavřete obě uzavírací spony.

7.8 Vyprázdnění sběrné nádoby bez vaku na prach (u kapalin)

1. Vytáhněte síťovou zástrčku ze zásuvky.
2. Hlavu vysavače sejměte ze sběrné nádoby a postavte ji na rovný podklad.
3. Uchopte nádobu za prohlubně a nakloňte ji tak, abyste ji vyprázdnili.
4. Okraj sběrné nádoby vyčistěte hadrem.
5. Hlavu vysavače nasadte na sběrnou nádobu a zavřete obě uzavírací spony.



8 Ošetřování a údržba

8.1 Ošetřování zařízení

VÝSTRAHA

Nebezpečí způsobené elektrickým proudem. Neodborné opravy elektrických součástí mohou způsobit těžká poranění.

- ▶ Opravy elektrických součástí svěřujte pouze odborníkovi s elektrotechnickou kvalifikací.
- ▶ Zařízení, zejména držadla, udržujte suché, čisté a beze stop oleje a tuku. Nepoužívejte ošetřovací prostředky s obsahem silikonu.
- ▶ Nikdy nepoužívejte vysavač s ucpanými ventilačními štěrbinami! Ventilační štěrbinu opatrně čistěte suchým kartáčem. Nepřipusťte, aby se dovnitř zařízení dostaly nějaké předměty.
- ▶ Vnější povrch zařízení čistěte pravidelně mírně navlhčeným hadříkem. K čištění nepoužívejte postřikovač, parní čistič nebo tekoucí vodu, protože by mohla být ohrožena elektrická bezpečnost zařízení.

U vysavačů UL, UM a UME

Při údržbě a čištění se musí se zařízením zacházet tak, aby nevznikalo nebezpečí pro personál provádějící údržbu a další osoby.

- ▶ Používejte filtrované nucené odvětrávání.
- ▶ Noste ochranný oděv.
- ▶ Oblast provádění údržby čistěte tak, aby do okolního prostředí neunikaly žádné nebezpečné látky.
- ▶ Než zařízení odstraníte z oblasti s nebezpečnými látkami, vysajte jeho povrch, důkladně ho otřete nebo neprodyšně zabalte. Zabraňte přitom šíření usazeného nebezpečného prachu.
- ▶ Při provádění údržby a oprav zabalte všechny znečištěné díly, které nebylo možno dostatečně vyčistit, do neprodyšných pytlů a zlikvidujte je v souladu s předpisy platnými pro likvidaci.
- ▶ Minimálně jednou ročně nechte v servisu **Hilti** nebo vyškolenou osobou provést technickou kontrolu prašnosti, například poškození filtru, vzduchotěsnosti zařízení a funkce kontrolních zařízení.

8.2 Automatické čištění filtru



Filtrační vložku nečistěte klepáním o tvrdé předměty ani pomocí tvrdých či ostrých předmětů. Zkracuje se tím životnost filtrační vložky.

Filtrační vložka se nesmí čistit vysokotlakým čističem. Ve filtračním materiálu by mohly vzniknout trhliny.

Filtrační vložka je díl podléhající opotřebení.

- ▶ Filtrační vložku vyměňujte minimálně jednou za půl roku.
- ▶ Při intenzivním používání vyměňujte filtrační vložku častěji.

8.3 Výměna filtrační vložky

1. Vytáhněte síťovou zástrčku ze zásuvky.
2. Otevřete uzavírací sponu krytu filtru.
3. Otevřete kryt filtru.
4. Filtrační vložku opatrně vyjměte za prohlubně v držáku.
5. Těsnicí plochu vyčistěte hadrem.
6. Vložte novou filtrační vložku.
7. Zavřete kryt filtru sklopením aretace víka dopředu.
8. Zavřete uzavírací sponu krytu filtru.

8.4 Kontrola stavu naplnění

1. Pro bezpečnou stabilitu vysavače zajistěte brzdy koleček.
2. Vytáhněte síťovou zástrčku ze zásuvky.
3. Otevřete obě uzavírací spony.
4. Hlavu vysavače sejměte ze sběrné nádoby a postavte ji na rovný podklad.
5. Zkontrolujte, zda nejsou vypínací kontakty znečištěné, a případně je vyčistěte kartáčem.
6. Zkontrolujte těsnění hlavy vysavače, zda není znečištěné, a případně ho vyčistěte hadrem.
7. Hlavu vysavače nasadte na sběrnou nádobu a zavřete obě uzavírací spony.



8.5 Kontrola po čištění a údržbě

- Po provedení čištění a údržby zkontrolujte, zda je vysavač správně sestavený a bezvadně funguje.
- Proveďte test funkčnosti.

9 Přeprava a skladování

9.1 Přeprava

Plný vysavač se nesmí přenášet.

Zařízení se nesmí zavěšovat na jeřáb.

- ▶ Případně odstraňte z držáku regulátor napětí nebo volné nářadí.
- ▶ Než budete vysavač přenášet na jiné místo, vyprázdněte ho.
- ▶ Zařízení nenakládejte a nepřevážte ho položené na boku, pokud jste vysávali kapaliny.
- ▶ Při přepravě spojte oba konce hadice dohromady pomocí kuželového adaptéru.

U vysavačů UM a UME



NEBEZPEČÍ

Nebezpečí poranění. Ze sacího hrdla může unikat nebezpečný vysátý materiál.

- ▶ Při přepravě a pokud vysavač nepoužíváte, uzavřete u vysavačů třídy M sací hrdlo uzavírací objímkou.

9.2 Skladování

- ▶ Vysavač odstavte v suché místnosti tak, aby byl chráněn před neoprávněným použitím.

10 Pomoc při poruchách

V případě poruch, které nejsou uvedené v této tabulce nebo které nemůžete odstranit sami, se obraťte na náš servis **Hilti**.

10.1 Tabulka s poruchami

Porucha	Možná příčina	Řešení
U vysavačů UM a UME Akustický varovný signál (snížený sací výkon)	Plný vak na prach.	▶ Vyměňte vak na prach.
	Filtrační vložka je silně znečištěná.	▶ Pokud je deaktivované automatické čištění filtru, aktivujte ho a nechte vysavač běžet 30 sekund.
	Ucpaná sací hadice nebo odsávací kryt elektrického nářadí.	▶ Vyčistěte sací hadici a odsávací kryt.
	Nastavení průměru hadice v nesprávné poloze.	▶ Nastavte průměr hadice. ▶ Při použití jádrového vrtáku zvolte průměr hadice 15 mm.
Vysavač vypouští prach.	Filtrační vložka není správně namontovaná.	▶ Namontujte filtrační vložku znovu.
	Filtrační vložka je poškozená.	▶ Namontujte novou filtrační vložku.
Zařízení se nechtěně zapíná a vypíná nebo dochází k přenosu elektrostatických výbojů na uživatele.	Není zabezpečeno odvádění elektrostatické elektřiny, zařízení není připojené k uzemněné zásuvce.	▶ Připojte zařízení k uzemněné zásuvce, použijte antistatickou hadici.
Zařízení neběží nebo se po krátkém rozběhnutí vypne.	Zareagovalo vypnutí vody.	▶ Sondy a jejich okolí vyčistěte kartáčkem.
Motor neběží.	Zareagovala pojistka síťové zásuvky.	▶ Zapněte pojistku. ▶ V případě opětovného zareagování pojistky zjistěte příčinu proudového přetížení.
	Plná sběrná nádoba.	▶ Vypněte zařízení a vyprázdněte sběrnou nádobu.



Porucha	Možná příčina	Řešení
Motor neběží.	Zareagovala tepelná pojistka motoru.	<ul style="list-style-type: none"> ▶ Zařízení vypněte a nechte ho cca 5 minut vychladnout. ▶ Pokud se motor nerozběhne, dejte zařízení do servisu Hilti.
	Tepelná pojistka motoru opakovaně vypíná motor.	<ul style="list-style-type: none"> ▶ Ventilační štěrby opatrně vyčistěte suchým kartáčem.
Motor neběží v automatickém režimu.	Připojené nářadí je vadné nebo není správně zapojené.	<ul style="list-style-type: none"> ▶ Zkontrolujte funkci připojeného nářadí a pevně zapojte síťovou zástrčku.
Automatické čištění filtrační vložky nefunguje.	Není připojená sací hadice.	<ul style="list-style-type: none"> ▶ Připojte sací hadici.

11 Likvidace

Výrobky **Hilti** jsou vyrobené převážně z recyklovatelných materiálů. Předpokladem pro recyklaci materiálů je jejich řádné třídění. V mnoha zemích odebírá **Hilti** stará zařízení k recyklaci. Informujte se v servisu **Hilti** nebo u prodejního poradce.

Podle evropské směrnice o odpadních elektrických a elektronických zařízeních a odpovídajících ustanovení právních předpisů jednotlivých zemí se opotřebovaná elektrická zařízení musí shromažďovat odděleně od ostatního odpadu a odevzdat k ekologické recyklaci.



- ▶ Elektrická zařízení nevyhazujte do komunálního odpadu!

Vrtný kal

Z hlediska ochrany životního prostředí je problematické odvádět vrtný kal do povrchových vod nebo do kanalizace bez vhodné předběžné úpravy.

- ▶ Informujte se u místních úřadů o platných předpisech.

Doporučujeme následující předběžnou úpravu:

- ▶ Zachycujte vrtný kal (například pomocí vysavače na mokré sání).
- ▶ Nechte vrtný kal usadit a pevnou složku zlikvidujte na skládce stavební sutí (proces odlučování mohou urychlit vložkové prostředky).
- ▶ Před odvedením zbývající vody (zásaditá, hodnota pH > 7) do kanalizace ji neutralizujte přidáním kyselých neutralizačních prostředků nebo zředěním velkým množstvím vody.

Prach z vrtní

- ▶ Nahromaděný prach z vrtní zlikvidujte v souladu s platnými národními zákonnými předpisy.

12 Záruka výrobce

- ▶ V případě otázek ohledně záručních podmínek se obraťte na místního partnera **Hilti**.



1 Указания к документации

1.1 Об этом документе



Импортер и уполномоченная изготовителем организация

- (RU) Российская Федерация
АО "Хилти Дистрибьюшн ЛТД", 141402, Московская область, г. Химки, ул. Ленинградская, стр. 25
- (BY) Республика Беларусь
222750, Минская область, Дзержинский район, Р-1, 18-й км, 2 (около д. Слободка), помещение 1-34
- (KZ) Республика Казахстан
Республика Казахстан, индекс 050011, г. Алматы, ул. Пугачева 4
- (KG) Киргизская Республика
ОсОО "Т AND Т", 720021, Кыргызстан, Бишкек, ул. Ибраимова 29 А
- (AM) Республика Армения
ООО Эйч-Кон, Республика Армения, г. Ереван, ул. Бабааян 10/1

Страна производства: см. маркировочную табличку на оборудовании.

Дата производства: см. маркировочную табличку на оборудовании.

Соответствующий сертификат можно найти по адресу: www.hilti.ru

Специальных требований к условиям хранения, транспортировки и использования, кроме указанных в руководстве по эксплуатации, нет.

Срок службы изделия составляет 5 лет.

- Ознакомьтесь с этим документом перед началом работы. Это является залогом безопасной работы и бесперебойной эксплуатации.
- Соблюдайте указания по технике безопасности и предупреждающие указания, приводимые в данном документе и на изделии.
- Храните руководство по эксплуатации всегда рядом с электроинструментом и передавайте электроинструмент будущим владельцам только вместе с этим руководством.

1.2 Пояснение к знакам

1.2.1 Предупреждающие указания

Предупреждающие указания служат для предупреждения об опасностях при обращении с изделием. Используются следующие сигнальные слова:

ОПАСНО

ОПАСНО !

- ▶ Общее обозначение непосредственной опасной ситуации, которая влечет за собой тяжелые травмы или смертельный исход.

ПРЕДУПРЕЖДЕНИЕ

ПРЕДУПРЕЖДЕНИЕ !

- ▶ Общее обозначение потенциально опасной ситуации, которая может повлечь за собой тяжелые травмы или смертельный исход.

ОСТОРОЖНО

ОСТОРОЖНО !

- ▶ Общее обозначение потенциально опасной ситуации, которая может повлечь за собой легкие травмы или повреждение оборудования.

1.2.2 Символы, используемые в руководстве

В наших руководствах используются следующие символы:



Перед использованием прочтите руководство по эксплуатации.



	Указания по эксплуатации и другая полезная информация
	Обращение с материалами, пригодными для вторичной переработки
	Не выбрасывайте электроинструменты и аккумуляторы вместе с обычным мусором!

1.2.3 Символы на изображениях

На приводимых нами изображениях используются следующие символы:

	Эти цифры указывают на соответствующее изображение в начале данного руководства.
	Нумерация на изображениях отображает порядок выполнения рабочих операций и может отличаться от нумерации, используемой в тексте.
	Номера позиций используются в обзорном изображении. В обзоре изделия они указывают на номера в экспликации.
	Этот знак должен привлечь особое внимание пользователя при обращении с изделием.
	Устройство поддерживает технологию NFC, совместимую с платформами iOS и Android.

1.2.4 Дополнительные символы

На изделии используются следующие символы:

	Транспортировка краном запрещена
--	----------------------------------

1.3 Символы в зависимости от изделия

1.3.1 Символы на изделии

На изделии используются следующие символы:

	Горячая поверхность
	Транспортировка краном запрещена

1.4 Специальные наклейки на изделии

Для пылесосов серии UL



ПРЕДУПРЕЖДЕНИЕ! Это устройство содержит опасную для здоровья пыль. Опорожнение и обслуживание, включая удаление пылесборного мешка, должны выполняться только специалистами при обязательном использовании средств индивидуальной защиты. Не включайте устройство до полной установки системы фильтрации.



Для пылесосов серии UM и UME



ПРЕДУПРЕЖДЕНИЕ! Это устройство содержит опасную для здоровья пыль. Опорожнение и обслуживание, включая удаление пылесборного мешка, должны выполняться только специалистами при обязательном использовании средств индивидуальной защиты. Не включайте устройство до полной установки системы фильтрации и проведения проверки функционирования контроля объемного расхода.

1.5 Информация об изделии

Изделия предназначены для профессионального использования, поэтому они должны обслуживаться и ремонтироваться только уполномоченным и обученным персоналом. Этот персонал должен пройти специальный инструктаж по технике безопасности. Использование изделия и его оснастки не по назначению или его эксплуатация необученным персоналом могут представлять опасность.

Типовое обозначение и серийный номер указаны на заводской табличке.

- ▶ Перепишите серийный номер в нижеприведенную табличную форму. Данные изделия необходимы при обращении в наше представительство или сервисный центр.

Данные устройства

Универсальный пылесос	VC 20-U VC 20-UL VC 20-UM VC 20-UME VC 40-U VC 40-UL VC 40-UM VC 40-UME
Поколение	02
Серийный №	

1.6 Декларация соответствия нормам

Настоящим мы с полной ответственностью заявляем, что данное изделие соответствует действующим директивам и нормам. Копию декларации соответствия нормам см. в конце этого документа.

Техническая документация (оригиналы) хранится здесь:

Hilti Entwicklungsgesellschaft mbH | Zulassung Geräte | Hiltistraße 6 | 86916 Kaufering, Германия

2 Безопасность

2.1 Общие указания по технике безопасности

Наряду с общими указаниями по технике безопасности, приведенными в отдельных главах настоящего руководства по эксплуатации, необходимо соблюдать следующие ниже указания.

- ▶ **Обязательно прочтите все указания!** Игнорирование следующих указаний может привести к удару электрическим током, пожару и/или серьезным травмам.
- ▶ **Перед использованием пылесоса в комбинации с электроинструментом следует прочесть руководство по эксплуатации электроинструмента и соблюдать все приведенные там указания.**
- ▶ **Внесение изменений в конструкцию пылесоса и его модификация запрещаются.**
- ▶ **Используйте только подходящий пылесос. Применяйте его только по назначению и только в исправном состоянии.**
- ▶ **Перед началом работ с пылесосом необходимо пройти инструктаж по обращению с ним, а также получить информацию об опасности, которую представляют собой отходы, и об их безопасной утилизации.**
- ▶ **Учитывайте влияние окружающей среды. Не используйте пылесос там, где существует опасность пожара или взрыва.**
- ▶ **К работе с пылесосом допускается только тот персонал, которые знаком с ним, прошел инструктаж относительно его безопасного использования и ознакомлен с возможными опасностями, которые могут возникнуть в ходе эксплуатации пылесоса. Пылесос не предназначен для детей.**



- ▶ Храните неиспользуемые пылесосы в надежном месте. Выберите для этого сухое, высоко расположенное или закрытое (запираемое на замок) место, недоступное для детей.

2.2 Безопасность персонала

- ▶ Будьте внимательны, следите за своими действиями и серьезно относитесь к работе с пылесосом. Не пользуйтесь пылесосом, если вы устали или находитесь под действием наркотиков, алкоголя или медикаментов. Незначительная ошибка при невнимательной работе с пылесосом может стать причиной серьезного травмирования.
- ▶ Работающий с пылесосом и находящийся в непосредственной близости лица во время работы и обслуживания пылесоса должны надевать подходящие защитные очки, защитные каски, защитные наушники, защитные перчатки и легкие респираторы.
- ▶ Приведите в действие колесные тормозные механизмы для устойчивого (неподвижного) положения пылесоса. При разблокированных колесных тормозных механизмах пылесос может прийти в неконтролируемое движение.
- ▶ Если предусмотрено подсоединение устройств для удаления и сбора пыли, убедитесь в том, что они подсоединены и используются по назначению. Использование модуля пылеудаления снижает вредное воздействие пыли.

2.3 Бережное обращение и эксплуатация пылесоса

- ▶ Никогда не оставляйте пылесос без присмотра.
- ▶ При уборке опасной пыли не выключайте систему очистки фильтра, особенно при использовании электроинструментов, в ходе работы с которыми образуется пыль.
- ▶ Пылесос следует защищать от мороза.
- ▶ Следует регулярно очищать щеткой ограничитель уровня воды согласно указаниям и проверять его на отсутствие повреждений.
- ▶ Будьте осторожны при установке верхней части пылесоса: не допускайте защемления рук и повреждения кабеля электропитания. Опасность травмирования и повреждений.
- ▶ Проверяйте пылесос и принадлежности на отсутствие возможных повреждений. Перед дальнейшим использованием тщательно проверьте исправность и функционирование защитных приспособлений или легкоповреждаемых деталей. Подвижные детали должны двигаться свободно, без заеданий; проверьте их на отсутствие повреждений. Все детали должны быть правильно установлены и отвечать всем условиям, обеспечивающим исправную работу пылесоса.
- ▶ Доверяйте ремонт пылесоса только квалифицированному персоналу, использующему только оригинальные запчасти. Этим обеспечивается поддержание пылесоса в безопасном состоянии.
- ▶ Всегда вынимайте вилку кабеля электропитания из розетки электросети на то время, когда пылесос не используется (например, во время перерывов в работе), а также перед проведением технического обслуживания, заменой принадлежностей или фильтра. Данная мера предосторожности позволит предотвратить непреднамеренное включение пылесоса.
- ▶ Ни в коем случае не перемещайте пылесос на другое рабочее место за кабель электропитания. Не переезжайте пылесосом кабель электропитания.
- ▶ Не транспортируйте пылесос с помощью крана.

Дополнительно для пылесосов серии UM и UME

- ▶ На время транспортировки и при неиспользовании пылесоса закрывайте всасывающий патрубок заглушкой.

2.4 Электрическая безопасность

- ▶ Соединительная вилка пылесоса должна соответствовать розетке электросети. Не изменяйте конструкцию вилки! Не разрешается применять переходные вилки с пылесосами с защитным заземлением. Использование оригинальных вилок и соответствующих им розеток снижает риск поражения электрическим током.
- ▶ Вставляйте вилку в подходящую заземленную розетку, которая надежно установлена в соответствии со всеми местными условиями. Если вы сомневаетесь в том, надежно ли заземлена розетка, то ее должен проверить квалифицированный электрик.
- ▶ Избегайте непосредственного контакта с заземленными поверхностями, например, с трубами, отопительными приборами, печами (плитами) и холодильниками. При контакте с заземленными предметами возникает повышенный риск поражения электрическим током.
- ▶ Предохраняйте пылесос от дождя или воздействия влаги. В результате попадания воды в пылесос возрастает риск поражения электрическим током.



- ▶ Убедитесь в том, что кабель электропитания не пролегает по лужам.
- ▶ Регулярно проверяйте кабель электропитания пылесоса. Замена поврежденного кабеля должна выполняться в сервисном центре Hilti. Регулярно проверяйте удлинительные кабели и при наличии поврежденных замените их.
- ▶ Если во время работы кабель электропитания и/или удлинительный кабель были повреждены, прикасаться к ним запрещается. Выньте вилку кабеля из розетки электросети. Поврежденные кабели электропитания и удлинительные кабели представляют опасность поражения электрическим током.
- ▶ Разрешается использовать только указанные в руководстве по эксплуатации типы кабелей электропитания.
- ▶ Не используйте кабель не по назначению, например, для переноски пылесоса, его подвешивания или для выдергивания вилки из розетки электросети. Защищайте кабель от воздействий высоких температур, масла, острых кромок или подвижных деталей пылесоса. В результате повреждения или перекручивания кабеля повышается риск поражения электрическим током.
- ▶ Если работы с электроустройством выполняются на открытом воздухе, применяйте только удлинительные кабели, которые разрешено использовать вне помещений. Применение удлинительного кабеля, пригодного для использования вне помещений, снижает риск удара электрическим током.
- ▶ При отключении подачи электропитания выключите пылесос и выньте вилку кабеля электропитания из розетки электросети.
- ▶ Использовать встроенную розетку разрешается только в указанных в руководстве по эксплуатации целях.
- ▶ Пользоваться грязным или мокрым пылесосом запрещается. При неблагоприятных условиях влага и пыль, скапливающаяся на поверхности пылесоса (особенно от токопроводящих материалов), могут вызвать удар электрическим током. Поэтому регулярно обращайтесь в сервисную службу Hilti для проверки пылесосов, особенно если вы часто используете их для обработки токопроводящих материалов.

2.5 Рабочее место

- ▶ Обеспечьте хорошее освещение рабочей зоны.
- ▶ Обеспечьте хорошую вентиляцию рабочей зоны. Плохо проветриваемая рабочая зона может стать причиной ухудшения самочувствия вследствие из-за концентрации пыли.
- ▶ Содержите рабочее место в порядке. В месте проведения работ не должно быть предметов, о которые можно пораниться. Беспорядок на рабочем месте увеличивает риск травмирования.
- ▶ Не используйте пылесос во взрывоопасной зоне, где имеются горючие жидкости, газы или пыль. При работе электроустройства искрят, и искры могут воспламенить пыль или пары.
- ▶ Будьте особенно внимательны при выполнении работы на лестницах.

2.6 Отходы

- ▶ Запрещается всасывание вредной для здоровья, горючей и/или взрывоопасной пыли (магниево-алюминиевая пыль и т. п.). Не выполняйте уборку материалов с температурой > 60 °C (140 °F) (тлеющие окурки, горячая зола и т. п.).
- ▶ Запрещается всасывание горючих, взрывоопасных, агрессивных жидкостей (смазочно-охлаждающие жидкости, бензин, растворители, кислоты (pH < 5), щелочи (pH < 12,5) и т. д.)
- ▶ При выходе пены или жидкостей немедленно выключайте пылесос.
- ▶ При уборке горячего материала с температурой макс. 60 °C (140 °F) надевайте защитные перчатки.
- ▶ При уборке шлама после сверления/бурения минеральных пород носите защитную одежду и избегайте его контакта с кожей (pH > 9, едкое вещество).
- ▶ Избегайте контакта с щелочными или кислотными жидкостями. При случайном контакте смойте водой. При попадании таких жидкостей в глаза промойте их большим количеством воды и немедленно обратитесь за помощью к врачу.

Дополнительно для пылесосов серии UL

- ▶ Пылесос класса L подходит для удаления (всасывания) сухой, негорючей пыли, древесной стружки/опилок и опасной пыли с максимальным содержанием вредных веществ > 1 мг/м³. В зависимости от опасности, которую представляет тот или иной вид собираемой/удаляемой пыли, пылесос должен оснащаться соответствующими фильтрами.

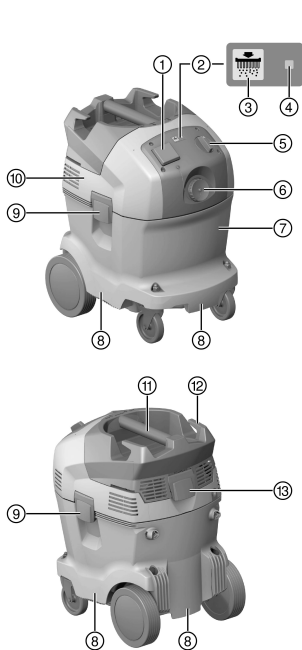


Дополнительно для пылесосов серии UM и UME

- ▶ Пылесос класса М подходит для удаления (всасывания) сухой, негорючей пыли, древесной стружки/опилок и опасной пыли с максимальным содержанием вредных веществ $\geq 0,1$ мг/м³. В зависимости от опасности, которую представляет тот или иной вид собираемой/удаляемой пыли, пылесос должен оснащаться соответствующими фильтрами.

3 Описание

3.1 Обзор изделия



- ① Встроенная розетка
- ② Функция автоматической очистки фильтра
- ③ Кнопка «Очистка фильтра ВКЛ./ВЫКЛ.» (только у пылесосов серии UL и UME)
- ④ Индикация статуса «Автоматическая очистка фильтра»
- ⑤ Выключатель пылесоса
- ⑥ Всасывающий патрубков
- ⑦ Пылесборный контейнер
- ⑧ Захват
- ⑨ Защелка
- ⑩ Верхняя часть пылесоса
- ⑪ Рукотка
- ⑫ Крюк для кабеля
- ⑬ Защелка крышки фильтра

3.2 Использование по назначению

Описанные здесь изделия представляют собой универсальные промышленные пылесосы, предназначенные для профессионального использования. Они могут использоваться как для сухой, так и для влажной уборки.

Запрещается направлять всасывающий шланг пылесоса на людей и животных. Использование пылесосов под водой запрещается.

ПРЕДУПРЕЖДЕНИЕ

Опасность для здоровья! Пылесосы серии U не предназначены для удаления опасной для здоровья пыли.

- ▶ Не используйте пылесосы этих моделей для всасывания опасной для здоровья пыли.
- ▶ Перед началом работ с пылесосом необходимо пройти инструктаж по обращению с ним, а также получить информацию об опасности, которую представляют собой отходы, и об их безопасной утилизации.
- ▶ Не используйте пылесос стационарно в непрерывном режиме работы, в автоматических или полуавтоматических установках.
- ▶ Во избежание травмирования используйте только оригинальные принадлежности и рабочие инструменты фирмы **Hilti**.
- ▶ Во избежание появления эффектов статической электризации используйте антистатический всасывающий шланг.



- ▶ Не выполняйте уборку предметов, которые могут травмировать вас (например, остроконечных предметов или предметов с острой кромкой, которые могут проткнуть пылесборный мешок и торчать наружу).
- ▶ Не используйте пылесос в качестве лестницы.

Данное изделие предназначено для профессионального использования в следующих областях:

- всасывание больших объемов пыли, образующейся в ходе работы с алмазными шлифмашинами, абразивно-отрезными машинами, перфораторами и коронками для сухого бурения **Hilti**;
- всасывание шлама, возникающего при обработке минеральных пород с использованием алмазных коронок **Hilti** или алмазных пил **Hilti**, а также жидких веществ с температурой < 60 °C (140 °F);
- всасывание масла и жидких сред с температурой < 60 °C (140 °F);
- сухая и влажная очистка поверхностей стен и пола.

Дополнительно для пылесосов серии UL

Всасывание сухой, негорючей пыли, жидкостей, древесных опилок/стружки и опасной пыли с максимальным содержанием вредных веществ > 1 мг/м³ (класс пыли L).

Дополнительно для пылесосов серии UM и UME

Всасывание сухой, негорючей пыли, жидкостей, древесных опилок/стружки и опасной пыли с максимальным содержанием вредных веществ $\geq 0,1$ мг/м³ (класс пыли M).

Дополнительно для пылесосов серии UL, UM и UME

При работе с пылесосами в помещениях необходимо обеспечить доступ достаточного объема свежего воздуха, если отработанный воздух остается внутри помещения. Соблюдайте местные правила и предписания.

3.3 Возможное использование не по назначению

- Промышленный пылесос нельзя эксплуатировать в лежачем положении.
- Не допускается применение промышленного пылесоса для всасывания взрывоопасных веществ, тлеющей, горячей или горючей, а также агрессивной пыли (например, магниево-алюминиевой пыли и т. п.) (исключение: древесные опилки/стружка).
- Не допускается применение промышленного пылесоса для всасывания воспламеняющихся жидкостей (таких как бензин, растворители, кислоты, смазочно-охлаждающие жидкости и т. п.).
- Сбор опасных для здоровья материалов (например, асбеста) запрещается.

3.4 Комплект поставки

Универсальный пылесос включая фильтрующий элемент, всасывающий шланг в сборе с поворотной муфтой (на стороне пылесоса) и инструментальной муфтой, синтетический пылесборный мешок PE VC 20/40, руководство по эксплуатации.

3.5 Звуковой предупреждающий сигнал

Пылесосы серии UM и UME оснащены звуковым предупреждающим сигналом, который раздается в целях безопасности при падении скорости воздушного потока во всасывающем шланге ниже 20 м/с. Для корректного срабатывания звукового предупреждающего сигнала на соответствующем переключателе диаметров шланга следует выставить диаметр используемого всасывающего шланга.

3.6 Функция автоматической очистки фильтра

Пылесос оснащен функцией автоматической очистки фильтрующего элемента от налипающей пыли. Данная функция выключается путем нажатия кнопки «Автоматическая очистка фильтра ВКЛ./ВЫКЛ.» и снова включается при повторном нажатии этой кнопки.

Состояние	Значение
Светодиод горит.	<ul style="list-style-type: none"> • Функция (автоматической) очистки фильтра активирована.
Светодиод не горит.	<ul style="list-style-type: none"> • Функция (автоматической) очистки фильтра деактивирована.

При каждом включении пылесоса функция (автоматической) очистки фильтра автоматически активируется.



Фильтрующий элемент очищается автоматически посредством воздушного удара (слышен пульсирующий шум).



При системном использовании (например, при шлифовании, резке и штроблении) или всасывании больших объемов пыли необходимо активировать функцию (автоматической) очистки фильтра, чтобы обеспечить постоянную высокую мощность всасывания.

Функция (автоматической) очистки фильтра работает только при подключенном всасывающем шланге.

3.7 Указания по эксплуатации

Принадлежности и их назначение

Принадлежности	Назначение
Пылесборный мешок, синтетический PE VC 20 (203854)	для удаления минеральной пыли, для влажной и сухой уборки
Пылесборный мешок, синтетический PE VC 40 (203852)	для удаления минеральной пыли, для влажной и сухой уборки
Пылесборный мешок, бумажный VC 20 (203858)	для удаления древесной стружки/опилок/пыли
Пылесборный мешок, бумажный VC 40 (203856)	для удаления древесной стружки/опилок/пыли
Фильтр VC 20/40 для сухой уборки (2121386)	для сухой уборки
Фильтр VC 20/40 универсальный (2121387)	для влажной и сухой уборки (универсальный)
Фильтр VC 20/40 высокопроизводительный (2121388)	для интенсивного применения, для влажной и сухой уборки
Всасывающий шланг, 27 x 3,5 м, антистат.	для влажной и сухой уборки
Всасывающий шланг 36 мм	преимущественно для влажной уборки, не для уборки пыли
Всасывающий шланг, 36 x 5 м, антистат.	для влажной и сухой уборки

- ▶ При работе с пылесосами серии UM и UME обязательно используйте синтетический или бумажный пылесборный мешок.

4 Технические данные

4.1 Универсальный пылесос (для сухой и влажной уборки)

	VC 20	VC 40
Размеры (Д x Ш x В), мм	505 x 380 x 500	505 x 380 x 610
Масса согласно методу ЕРТА 01	13,0 кг	14,7 кг
Объем пылесборного контейнера	21 л	36 л
Полезный объем для сбора пыли	23 кг	40 кг
Заправочный объем воды	13,5 л	25 л
Рабочая температура	-10 °C ... 40 °C	-10 °C ... 40 °C
Автоматическая очистка фильтра каждые	15 с	15 с
Класс защиты	I	I
Степень защиты	IP X4	IP X4
Частота электросети	50 Гц ... 60 Гц	50 Гц ... 60 Гц

4.2 Номинальное напряжение



При запитывании от генератора/трансформатора его выходная мощность должна быть как минимум вдвое выше номинальной потребляемой мощности, которая указана на заводской табличке электроинструмента. Рабочее напряжение трансформатора или генератора должно всегда находиться в диапазоне между +5 % и -15 % номинального напряжения электроинструмента.



•/•	100 вольт [В]	110 вольт [В]	110 вольт [В]	200 вольт [В]
Номинальная потребляемая мощность	1200 Ватт [Вт]	1100 Ватт [Вт]	1100 Ватт [Вт]	950 Ватт [Вт]
Мощность встроенной розетки для подключения электроинструмента (при наличии)	•/•	1600 Ватт [Вт]	•/•	•/•
Сетевое подключение (тип)	VCTF 3 x 2,0 мм ²	A07 QQF 3/12 AWG	H07 BQF 3G 1,5 мм ²	VCTF 3 x 2,0 мм ²
•/•	220–240 вольт [В]	220–240 (Швейцария) вольт [В]	220–240 (Великобритания) вольт [В]	220–240 (Новая Зеландия) вольт [В]
Номинальная потребляемая мощность	1200 Ватт [Вт]	1200 Ватт [Вт]	1200 Ватт [Вт]	1200 Ватт [Вт]
Мощность встроенной розетки для подключения электроинструмента (при наличии)	2400 Ватт [Вт]	1100 Ватт [Вт]	1800 Ватт [Вт]	1200 Ватт [Вт]
Сетевое подключение (тип)	H07 RNF 3G 1,5 мм ²	H07 RNF 3G 1,5 мм ²	H07 RNF 3G 1,5 мм ²	H07 RNF 3G 1,5 мм ²

4.3 Максимальный объемный расход и максимальное разрежение

		VC 20-U	VC 20-UL	VC 20-UM	VC 20-UME
Максимальный объемный расход (воздух)	950 Вт	68 л/с	•/•	•/•	•/•
	1100 Вт	68 л/с	•/•	•/•	•/•
	1200 Вт	74 л/с	•/•	•/•	•/•
Максимальный объемный расход (воздух)	1100 Вт	•/•	138 м ³ /ч	138 м ³ /ч	138 м ³ /ч
	1200 Вт	•/•	150 м ³ /ч	150 м ³ /ч	150 м ³ /ч
Максимальное разрежение	950 Вт	235 гПа	•/•	•/•	•/•
	1100 Вт	230 гПа	209 гПа	209 гПа	209 гПа
	1200 Вт	253 гПа	253 гПа	253 гПа	253 гПа

		VC 40-U	VC 40-UL	VC 40-UM	VC 40-UME
Максимальный объемный расход (воздух)	950 Вт	68 л/с	•/•	•/•	•/•
	1100 Вт	68 л/с	•/•	•/•	•/•
	1200 Вт	74 л/с	•/•	•/•	•/•
Максимальный объемный расход (воздух)	1100 Вт	•/•	138 м ³ /ч	138 м ³ /ч	138 м ³ /ч
	1200 Вт	•/•	150 м ³ /ч	150 м ³ /ч	150 м ³ /ч
Максимальное разрежение	950 Вт	235 гПа	•/•	•/•	•/•
	1100 Вт	230 гПа	209 гПа	209 гПа	209 гПа
	1200 Вт	253 гПа	253 гПа	253 гПа	253 гПа

4.4 Данные о шуме и вибрации (измерения согласно EN 60335)

Нижеприведенные данные относятся ко всем промышленным пылесосам VC 20 и VC 40.

Значение уровня звукового давления (L_{pA})	73 дБ(A)
Погрешность уровня звукового давления (K_{pA})	2,5 дБ(A)
Значение вибрации	< 2,5 м/с ²



5 Использование удлинительного кабеля

ПРЕДУПРЕЖДЕНИЕ

Опасность вследствие поврежденных кабелей! При повреждении кабеля электропитания или удлинительного кабеля во время работы ни в коем случае не прикасайтесь к ним. Выньте вилку кабеля электропитания из розетки.

- ▶ Регулярно проверяйте кабель электропитания электроинструмента. Замена поврежденного кабеля должна осуществляться специалистом-электриком.
- Используйте только подходящие для данной области применения удлинительные кабели с достаточным сечением. В противном случае возможна потеря мощности (всасывания) пылесоса и перегрев кабеля.
- Регулярно проверяйте, не поврежден ли удлинительный кабель.
- Поврежденные удлинительные кабели немедленно заменяйте.
- При выполнении работ вне помещений используйте только допущенные к эксплуатации удлинительные кабели с соответствующей маркировкой.

Рекомендуемые минимально допустимое сечение и максимальная длина кабеля при напряжении электросети 120 В

Кабель	AWG 16	AWG 14	AWG 12	AWG 10
Сечение провода	1,31 mm ²	2,08 mm ²	3,31 mm ²	5,26 mm ²
Сечение провода	2,58 kcmil	4,11 kcmil	6,53 kcmil	10,4 kcmil
Длина кабеля	25 m	30 m	50 m	100 m
Длина кабеля	75 ft	100 ft	150 ft	250 ft

6 Ввод в эксплуатацию

ОПАСНО

Опасность вследствие электрического тока При неправильном (электро)подключении пылесоса возможно получение серьезных травм или летальный исход.

- ▶ Подключайте пылесос только к правильно заземленному источнику тока.

ОСТОРОЖНО

Опасность травмирования вследствие неконтролируемых движений! При разблокированных колесных тормозных механизмах пылесос может прийти в неконтролируемое движение.

- ▶ Приведите в действие колесные тормозные механизмы для устойчивого (неподвижного) положения пылесоса.

6.1 Первый ввод в эксплуатацию

- Синтетический пылесборный мешок: для сбора неопасной пыли
- Синтетический пылесборный мешок для минеральной пыли или бумажный пылесборный мешок для древесной стружки/опилок:
 - > класс M для сбора пыли с максимальным содержанием вредных веществ $\geq 0,1$ мг/м³
 - > класс L или M для сбора пыли с максимальным содержанием вредных веществ > 1 мг/м³

1. Откройте обе защелки.
2. Снимите верхнюю часть пылесоса с пылесборного контейнера.
3. Достаньте принадлежности из пылесборного контейнера и из упаковки.
4. Установите верхнюю часть пылесоса на пылесборный контейнер и закройте обе защелки.
5. Убедитесь в том, что верхняя часть пылесоса правильно установлена и надежно зафиксирована.
6. Подсоедините всасывающий шланг к пылесосу.

6.2 Установка бумажного пылесборного мешка для древесной стружки/опилок

- Острые предметы могут проткнуть пылесборный мешок.
- Убедитесь в том, что пылесборный мешок не был проткнут каким-либо предметом.



1. Выньте вилку кабеля электропитания из розетки электросети.
2. Откройте обе защелки.
3. Снимите верхнюю часть пылесоса с пылесборного контейнера.
4. Вставьте новый бумажный пылесборный мешок в адаптер и установите его на пылесборный контейнер.
5. Установите верхнюю часть пылесоса на пылесборный контейнер.
6. Закройте обе защелки.
7. Убедитесь в том, что верхняя часть пылесоса правильно установлена и надежно зафиксирована.
8. Подсоедините всасывающий шланг к пылесосу.

6.3 Установка синтетического пылесборного мешка

1. Выньте вилку кабеля электропитания из розетки электросети.
2. Откройте обе защелки.
3. Снимите верхнюю часть пылесоса с пылесборного контейнера.
4. Закрепите новый пылесборный синтетический мешок (см. инструкцию на мешке) в пылесборном контейнере.
5. Установите верхнюю часть пылесоса на пылесборный контейнер и закройте обе защелки.

7 Эксплуатация



ПРЕДУПРЕЖДЕНИЕ

Опасность травмирования. При повреждении системы фильтрации возможен выход опасной для здоровья пыли.

- ▶ В экстренном случае (например при выходе фильтра из строя) выключите пылесос, выньте вилку кабеля из сетевой розетки и перед дальнейшим использованием дайте осмотреть пылесос специалистам.



ОПАСНО

Опасность травмирования. При использовании пылесосов класса L и M необходимо учитывать, что они содержат опасную для здоровья пыль.

- ▶ Опорожнение и техническое обслуживание, включая извлечение емкости для сбора пыли, должны выполняться только специалистами. Пользуйтесь подходящими средствами защиты.
- ▶ Перед транспортировкой пылесоса из зоны, содержащей опасные вещества, следует очистить корпус пылесоса, вытереть насухо или герметично упаковать. Любые детали пылесоса считаются загрязненными при их удалении из опасной зоны, поэтому во избежание оседания пыли следует принять соответствующие меры.
- ▶ Категорически запрещается использовать пылесос без полностью установленной системы фильтрации.



ОСТОРОЖНО

Опасность травмирования вследствие неконтролируемых движений! При разблокированных колесных тормозных механизмах пылесос может прийти в неконтролируемое движение.

- ▶ Приведите в действие колесные тормозные механизмы для устойчивого (неподвижного) положения пылесоса.

7.1 Регулировка диаметра шланга на пылесосах серии UM и UME

1. Перед удалением сухой, негорючей пыли с максимальным содержанием вредных веществ и древесной стружки/опилок убедитесь в том, что диаметр всасывающего шланга соответствует положению переключателя диаметра шланга.
2. При использовании пылесоса с системой корончатых сверл Hilti выставляйте соответствующий переключатель на минимальный диаметр шланга.

7.2 Работа без использования встроенной розетки

1. Перед подключением вилки сетевого кабеля убедитесь в том, что выключатель устройства находится в положении «OFF» (ВЫКЛ.).
2. Вставьте вилку кабеля электропитания пылесоса в розетку электросети.
3. Установите выключатель устройства в положение «ON» (ВКЛ.).



7.3 Работа с использованием встроенной розетки

Встроенная розетка предназначена только для прямого подключения электроинструментов к пылесосу.

При подключении электроинструмента к встроенной розетке следует соблюдать руководство по его эксплуатации и приводимые в нем указания по технике безопасности.

1. Выньте вилку кабеля электропитания пылесоса из розетки электросети.
2. Убедитесь в том, что максимальная потребляемая мощность подключаемого электроинструмента ниже максимальной допустимой мощности встроенной розетки (см. главу «Технические характеристики» и маркировку на встроенной розетке).
3. Перед подключением вилки кабеля электропитания электроинструмента убедитесь в том, электроинструмент выключен.
4. Вставьте вилку кабеля электропитания электроинструмента во встроенную розетку.
5. Вставьте вилку кабеля электропитания пылесоса в розетку электросети.
6. Установите выключатель пылесоса в положение «Auto» («Автом.»).
7. Включите электроинструмент.

После выключения электроинструмента пылесос работает еще некоторое время, чтобы засосать пыль, находящуюся во всасывающем шланге.

7.4 Всасывание сухой пыли

Перед всасыванием сухой пыли (особенно минеральной) убедитесь в том, что в пылесборном контейнере установлен подходящий пылесборный мешок. Это позволит просто и чисто утилизировать собранный материал.

ОСТОРОЖНО

Опасность травмирования. Без использования фильтрующего элемента возможен выход опасных отходов.

- ▶ Не работайте с пылесосом без фильтрующего элемента.
- ▶ Следите за тем, чтобы фильтрующий элемент был сухим и был установлен подходящий пылесборный мешок.

7.5 Всасывание жидкостей

ОСТОРОЖНО

Опасность травмирования. Без использования фильтрующего элемента возможен выход опасных отходов.

- ▶ Не работайте с пылесосом без фильтрующего элемента.

1. Проверьте контроль уровня заполнения. → страница 72
2. По возможности используйте для влажной уборки отдельный фильтрующий элемент.

Рекомендуется использование универсального фильтра **Hilti** VC 20/40 universal (2121387).

3. После сбора жидкостей разблокируйте две защелки.
4. Снимите верхнюю часть пылесоса с пылесборного контейнера и поставьте ее на ровную поверхность, чтобы фильтрующий элемент мог высохнуть.
5. Опорожните пылесборный контейнер и очистите его водой из шланга. Очистите электроды щеткой, а фильтрующий элемент – после его предварительной сушки – протрите рукой.
6. Дайте подсохнуть пылесборному контейнеру.

7.6 После всасывания

1. Выключите электроинструмент.
2. Установите выключатель пылесоса в положение «OFF» (ВЫКЛ).
3. Выньте вилку кабеля электропитания пылесоса из розетки электросети.



4. Смотайте кабель электропитания и повесьте его на крюк.
5. Опорожните контейнер и очистите пылесос, протерев его влажной тряпкой.
6. Смотайте шланг.
7. Поставьте пылесос в сухое помещение, предотвратив возможность его использования посторонними лицами.

7.7 Опорожнение пылесборного контейнера с сухой пылью

1. Выньте вилку кабеля электропитания из розетки электросети.
2. Снимите верхнюю часть пылесоса с пылесборного контейнера и поставьте ее на ровную поверхность.
 - ↳ **Для пылесосов серии UM и UME**
 - ▶ Извлеките мешок для пыли из пылесборного контейнера.
 - ↳ **Для пылесосов серии UL**
 - ▶ Извлеките пылесборный мешок из пылесборного контейнера или возьмитесь за захваты и наклоните пылесборный контейнер для его опорожнения.
3. Затем установите верхнюю часть пылесоса на пылесборный контейнер и закройте обе защелки.

7.8 Опорожнение пылесборного контейнера без пылесборного мешка (при всасывании жидкостей)

1. Выньте вилку кабеля электропитания из розетки электросети.
2. Снимите верхнюю часть пылесоса с пылесборного контейнера и поставьте ее на ровную поверхность.
3. Возьмитесь за захваты и наклоните пылесборный контейнер для его опорожнения.
4. Очистите кромку пылесборного контейнера тряпкой.
5. Установите верхнюю часть пылесоса на пылесборный контейнер и закройте обе защелки.

8 Уход и техническое обслуживание

8.1 Уход за пылесосом

ПРЕДУПРЕЖДЕНИЕ

Опасность вследствие электрического тока Неквалифицированный ремонт компонентов электрической части может привести к получению серьезных травм.

- ▶ Ремонт таких компонентов поручайте только специалисту-электрику.
- ▶ Содержите пылесос, в особенности поверхности рукояток (поверхности для хвата), в чистом и сухом состоянии, без следов масла и смазки. Запрещается использовать чистящие средства, содержащие силикон.
- ▶ Эксплуатация пылесоса с засоренными вентиляционными прорезями категорически запрещена! Осторожно очищайте их сухой щеткой. Следите за тем, чтобы внутрь корпуса пылесоса не попадали посторонние предметы.
- ▶ Регулярно очищайте внешнюю поверхность пылесоса слегка увлажненной тканью. Не используйте для очистки водяной распылитель, парогенератор или струю воды, т. к. при чистке такими средствами нарушается электробезопасность пылесоса.

Для пылесосов серии UL, UM и UME

При проведении работ по уходу и очистке обращаться с пылесосом следует таким образом, чтобы от него не исходила опасность для лиц, выполняющих работы, а также для других лиц.

- ▶ Используйте принудительную вентиляцию с фильтрацией.
- ▶ Носите защитную одежду.
- ▶ При уборке рабочей зоны следите за тем, чтобы в окружающую среду не попали никакие вредные вещества.
- ▶ Перед транспортировкой пылесоса из зоны, содержащей опасные вещества, следует очистить корпус пылесоса, протерев его или герметично запаковать пылесос. При этом необходимо принять меры против распространения вредной пыли по помещению.
- ▶ При проведении работ по техническому обслуживанию и ремонту все детали и узлы пылесоса, которые не были очищены оптимальным образом, следует запаковать в герметичные пакеты и утилизировать в соответствии с действующими нормами по утилизации отходов.



- ▶ Минимум один раз в год следует проводить техническую проверку пылесоса на отсутствие повреждений фильтров, герметичность и исправность его элементов управления и контроля. Эти работы выполняет сервисный центр **Hilti** или специально обученный персонал.

8.2 Функция автоматической очистки фильтра



Запрещается выбивать фильтрующий элемент о твердые предметы или обрабатывать его твердыми или острыми предметами для очистки. Вследствие этого уменьшается его срок службы. Запрещается очищать фильтрующий элемент с помощью пневмоочистителя высокого давления. Это может привести к повреждениям фильтрующего материала.

Фильтрующий элемент является быстроизнашивающейся деталью.

- ▶ Заменяйте его не реже одного раза в полгода.
- ▶ При интенсивном использовании заменяйте фильтрующий элемент чаще.

8.3 Замена фильтрующего элемента 4

1. Выньте вилку кабеля электропитания из розетки электросети.
2. Откройте защелку крышки фильтра.
3. Откройте крышку фильтра.
4. Осторожно извлеките фильтрующий элемент, удерживая его за захваты в держателе.
5. Очистите поверхность уплотнения тряпкой.
6. Вставьте новый фильтрующий элемент.
7. Закройте крышку фильтра, откинув ее фиксатор вперед.
8. Откройте защелку крышки фильтра.

8.4 Проверка контроля уровня заполнения 5

1. Приведите в действие колесные тормозные механизмы для устойчивого (неподвижного) положения пылесоса.
2. Выньте вилку кабеля электропитания из розетки электросети.
3. Откройте обе защелки.
4. Снимите верхнюю часть пылесоса с пылесборного контейнера и поставьте ее на ровную поверхность.
5. Проверьте отключающие контакты на отсутствие загрязнений и при необходимости очистите их с помощью щетки.
6. Проверьте уплотнение верхней части пылесоса на отсутствие загрязнений и при необходимости очистите его тряпкой.
7. Установите верхнюю часть пылесоса на пылесборный контейнер и закройте обе защелки.

8.5 Проверка после выполнения работ по уходу и техническому обслуживанию

1. После выполнения работ по уходу и техническому обслуживанию пылесоса убедитесь в том, что он правильно собран и исправно функционирует.
2. Проведите функциональное испытание.

9 Транспортировка и хранение

9.1 Транспортировка

Транспортировать заполненный пылесос запрещается.

Запрещается подвешивать пылесос на кране.

- ▶ При необходимости извлекайте стабилизатор напряжения или незакрепленный рабочий инструмент из держателя.
- ▶ Перед транспортировкой пылесоса в другое место работы его следует опорожнить.
- ▶ После всасывания жидкостей пылесос нельзя опрокидывать или транспортировать в лежачем положении.
- ▶ Для транспортировки оба конца шланга можно соединить коническим переходником.



Для пылесосов серии UM и UME



ОПАСНО

Опасность травмирования. Через всасывающий патрубком могут выходить опасные отходы.

- ▶ На время транспортировки и при неиспользовании пылесосов класса M закрывайте всасывающий патрубок заглушкой.

9.2 Хранение

- ▶ Поставьте пылесос в сухое помещение, предотвратив возможность его использования посторонними лицами.

10 Помощь при неисправностях

В случае неисправностей, которые не указаны в этой таблице или которые вы не можете устранить самостоятельно, обращайтесь в ближайший сервисный центр **Hilti**.

10.1 Таблица неисправностей

Неисправность	Возможная причина	Решение
Для пылесосов серии UM и UME Звуковой предупреждающий сигнал (снижение мощности (скорости) всасывания)	Пылесборный мешок полностью заполнен.	▶ Замените пылесборный мешок.
	Фильтрующий элемент сильно загрязнен.	▶ При деактивации функции автоматической очистки фильтра включите ее и дайте поработать пылесосу в течение 30 с.
	Всасывающий шланг или кожух для удаления пыли электроинструмента забит.	▶ Очистите всасывающий шланг и кожух для удаления пыли.
	Неправильно выставлен переключатель диаметра шланга (неправильная настройка диаметра шланга).	<ul style="list-style-type: none"> ▶ Выставьте нужный диаметр шланга. ▶ При работе с корончатым сверлом используйте шланг диаметром 15 мм.
Пыль выдувается из пылесоса.	Фильтрующий элемент установлен неправильно.	▶ Переустановите фильтрующий элемент.
	Поврежден фильтрующий элемент.	▶ Установите новый фильтрующий элемент.
Произвольное включение и отключение пылесоса, статический разряд при контакте с пылесосом.	Отвод электростатического заряда не обеспечивается, пылесос подключено к незаземленной розетке.	▶ Подключите пылесос к заземленной розетке, используйте антистатический шланг.
Пылесос не включается или выключается через короткое время.	Сработала функция отключения подачи воды.	▶ Очистите датчики и зону вокруг них с помощью щетки.
Двигатель не запускается.	Сработал предохранитель розетки электросети.	<ul style="list-style-type: none"> ▶ Включите предохранитель. ▶ При повторном срабатывании определите причину появления тока перегрузки.
	Пылесборный контейнер заполнен.	▶ Выключите пылесос и опорожните пылесборный контейнер.
	Сработала тепловая защита двигателя.	<ul style="list-style-type: none"> ▶ Выключите пылесос и дайте ему охладиться в течение примерно 5 мин. ▶ Если двигатель не запускается, доставьте пылесос в сервисную службу Hilti.



Неисправность	Возможная причина	Решение
Двигатель не запускается.	Тепловая защита двигателя вновь выключает двигатель.	▶ Осторожно очистите вентиляционные прорези сухой щеткой.
Двигатель не работает в автоматическом режиме.	Подключенный электроинструмент неисправен или неправильно подключен.	▶ Проверьте функционирование подключенного электроинструмента или плотно вставьте вилку кабеля электропитания.
Не выполняется автоматическая очистка фильтрующего элемента.	Не подключен всасывающий шланг.	▶ Подсоедините всасывающий шланг.

11 Утилизация

Большинство материалов, из которых изготовлены изделия **Hilti**, подлежит вторичной переработке. Перед утилизацией следует тщательно рассортировать материалы (для удобства их последующей переработки). Во многих странах фирма **Hilti** уже организовала прием старых инструментов (изделий) для утилизации. Дополнительную информацию по этому вопросу можно получить в отделе по обслуживанию клиентов или у консультантов по продажам фирмы **Hilti**.

В соответствии с директивой ЕС об утилизации бывших в использовании электрических и электронных инструментов и в соответствии с местным законодательством электроинструменты, бывшие в эксплуатации, должны утилизироваться отдельно безопасным для окружающей среды способом.



- ▶ Не выбрасывайте электроустройства вместе с обычным мусором!

Отходы сверления/бурения (шлам)

В целях охраны окружающей среды попадание отходов сверления/бурения в водоемы или в систему канализации без соответствующей предварительной обработки недопустимо.

- ▶ Соответствующую информацию и инструкции можно получить у местных властей.

Мы рекомендуем следующую предварительную обработку:

- ▶ Соберите шлам после сверления/бурения (например с помощью пылесоса для влажной уборки).
- ▶ Дайте шламу осесть и утилизируйте твердый осадок на свалку промышленных отходов (добавление флокулянтов ускоряет процесс отстаивания).
- ▶ Перед сливом оставшейся воды (щелочная, с pH >7) в канализацию, ее следует нейтрализовать добавлением кислотных реагентов или разбавлением большим количеством воды.

Сверильная пыль

- ▶ Собранную сверильную пыль следует утилизировать согласно существующим национальным предписаниям.

12 Гарантия производителя

- ▶ С вопросами относительно гарантийных условий обращайтесь в ближайшее представительство **Hilti**.



1 Údaje k dokumentácii

1.1 O tejto dokumentácii

- Pred uvedením do prevádzky si prečítajte túto dokumentáciu. Je to predpoklad na bezpečnú prácu a bezproblémovú manipuláciu.
- Dodržujte bezpečnostné pokyny a varovania v tejto dokumentácii a na produkte.
- Tento návod na obsluhu uchovávajte vždy s výrobkom a ďalším osobám odovzdávajte výrobok iba s týmto návodom.

1.2 Vysvetlenie značiek

1.2.1 Výstražné upozornenia

Výstražné upozornenia varujú pred rizikami pri zaobchádzaní s výrobkom. Používajú sa nasledujúce signálne slová:

NEBEZPEČENSTVO

NEBEZPEČENSTVO !

- ▶ Na označenie bezprostredne hroziaceho nebezpečenstva, ktoré môže spôsobiť ťažký úraz alebo smrť.

VAROVANIE

VAROVANIE !

- ▶ Označenie možného hroziaceho nebezpečenstva, ktoré môže viesť k ťažkým poraneniam alebo usmrteniu.





POZOR

POZOR !

- ▶ Označenie novej nebezpečnej situácie, ktorá môže viesť k ľahším ublíženiam na tele alebo vecným škodám.






1.2.2 Symboly v dokumentácii

V našich dokumentáciách sa používajú nasledujúce symboly:

	Pred použitím si prečítajte návod na obsluhu
	Upozornenia týkajúce sa používania a iné užitočné informácie
	Zaobchádzanie s recyklovateľnými materiálmi
	Elektrické zariadenia a akumulátory nevyhadzujte do komunálneho odpadu

1.2.3 Symboly na obrázkoch

Na našich vyobrazeniach sa používajú nasledujúce symboly:

	Tieto čísla odkazujú na príslušné vyobrazenie na začiatku tohto návodu
	Číslovanie udáva poradie pracovných úkonov na obrázku a môže sa odlišovať od číslovania pracovných úkonov v texte.
	Čísla pozícií sa používajú v obrázku Prehľad a odkazujú na čísla legendy v odseku Prehľad výrobkov
	Tento symbol by mal u vás vzbudiť mimoriadnu pozornosť pri zaobchádzaní s výrobkom.
	Bezdrôtový prenos údajov

1.2.4 Doplnujúce symboly

Na výrobku sa používajú nasledujúce symboly:





Zákaz transportu žeriavom

1.3 Symboly na produktoch

1.3.1 Symboly na výrobku

Na výrobku sa používajú nasledujúce symboly:



Výstraha pred horúcim povrchom



Zákaz transportu žeriavom

1.4 Špeciálne nálepky na výrobku

Vysávače radu UL



VÝSTRAHA: Toto zariadenie obsahuje zdraviu nebezpečný prach. Vyprázdňovanie a údržbu, vrátane odstraňovania vrecka na prach smú vykonávať iba osoby s odborným vzdelaním, ktoré nosia vhodnú osobnú ochrannú výbavu. Nezapínajte dovtedy, kým nie je nainštalovaný kompletný filtračný systém.

Vysávače radu UM a UME



VÝSTRAHA: Toto zariadenie obsahuje zdraviu nebezpečný prach. Vyprázdňovanie a údržbu, vrátane odstraňovania vrecka na prach smú vykonávať iba osoby s odborným vzdelaním, ktoré nosia vhodnú osobnú ochrannú výbavu. Nezapínajte dovtedy, kým nie je nainštalovaný kompletný filtračný systém a nebola overená funkcia kontroly objemového toku.

1.5 Informácie o výrobku

Výrobky sú určené pre profesionálneho používateľa a smie ich obsluhovať, vykonávať údržbu a opravovať iba autorizovaný, vyškolený personál. Tento personál musí byť špeciálne poučený o vznikajúcich rizikách a nebezpečenstve. Výrobok a jeho pomocné prostriedky sa môžu stať zdrojom nebezpečenstva v prípade, že s nimi bude manipulovať personál bez vzdelania, neodborným spôsobom alebo ak sa nebudú používať v súlade s určením.

Typové označenie a sériové číslo sú uvedené na typovom štítku.

- Poznamenajte si sériové číslo do nasledujúcej tabuľky. Údaje výrobku budete potrebovať pri dopytoch adresovaných nášmu zastúpeniu alebo servisu.

Údaje o výrobku

Vysávač na vysávanie namokro/nasucho	VC 20-U VC 20-UL VC 20-UM VC 20-UME VC 40-U VC 40-UL VC 40-UM VC 40-UME
Generácia	02
Sériové číslo	

1.6 Vyhlásenie o zhode

Na vlastnú zodpovednosť vyhlasujeme, že tu opísaný výrobok sa zhoduje s nasledujúcimi smernicami a normami. Vyobrazenie vyhlásenia o zhode nájdete na konci tejto dokumentácie.

Technické dokumentácie sú uložené tu:



2 Bezpečnosť

2.1 Všeobecné bezpečnostné upozornenia

Okrem bezpečnostných upozornení v jednotlivých kapitolách tohto návodu na obsluhu je potrebné vždy striktné dodržiavať nasledujúce nariadenia.

- ▶ **Prečítajte si všetky upozornenia!** Nerešpektovanie nasledujúcich upozornení môže viesť k úrazu elektrickým prúdom, požiaru a/alebo závažným poraneniam.
- ▶ **Pri používaní zariadenia v spojení s elektrickým náradím si pred použitím prečítajte návod na obsluhu elektrického náradia a rešpektujte všetky upozornenia.**
- ▶ **Manipulácie alebo zmeny na zariadení nie sú dovolené.**
- ▶ **Používajte vhodné zariadenie.** Zariadenie nepoužívajte na také účely, na ktoré nie je určené, používajte ho iba v súlade s určením a ak je v bezchybnom stave.
- ▶ **Pred prácou so zariadením sa informujte o manipulácii s ním, o nebezpečenstvách, ktoré môžu pochádzať z materiálu a o likvidácii povysávaného materiálu.**
- ▶ **Zohľadnite vplyvy vonkajšieho prostredia.** Zariadenie nepoužívajte tam, kde hrozí riziko požiaru alebo výbuchu.
- ▶ **Zariadenie smú používať iba osoby, ktoré sú s ním oboznámené, boli poučené o bezpečnom používaní a rozumejú nebezpečenstvám či rizikám, ktoré z toho vyplývajú.** Zariadenie nie je určené pre deti.
- ▶ **Nepoužívané zariadenia odkladajte na bezpečnom mieste a bezpečným spôsobom.** Nepoužívané zariadenia by sa mali odložiť na suchom, vyvýšenom alebo uzatvorenom mieste, mimo dosahu detí.

2.2 Bezpečnosť osôb

- ▶ **Budte pozorní, dávajte pozor na to, čo robíte a pri práci s výrobkom postupujte s rozvahou.** Vysávač nepoužívajte vtedy, keď ste unavení alebo pod vplyvom drog, alkoholu alebo liekov. Aj moment nepozornosti pri používaní zariadenia môže viesť k vzniku závažných poranení.
- ▶ **Používateľ a osoby zdržiavajúce sa v blízkosti musia počas používania a údržby zariadenia používať vhodné ochranné okuliare, ochrannú prilbu, ochranné sluchu, ochranné rukavice, bezpečnostnú obuv a ľahkú masku na ochranu dýchacích ciest.**
- ▶ **Kvôli bezpečnému státiu vysávača aktivujte brzdy koliesok.** Pri uvoľnených brzdách koliesok sa môže vysávač nekontrolovane uviesť do pohybu.
- ▶ **Ak je možné namontovať zariadenia na odsávanie a zachytávanie prachu, presvedčte sa, že tieto zariadenia sú pripojené a používajú sa správne.** Používanie odsávania prachu môže znižovať ohrozenia vyvolané prachom.

2.3 Starostlivé zaobchádzanie a používanie zariadenia

- ▶ **Zariadenie nikdy nenechávajte bez dozoru.**
- ▶ **Pri vysávaní nebezpečného prachu nedeaktivujte čistenie filtra, najmä pri používaní elektrického náradia vytvárajúceho prach.**
- ▶ **Zariadenie chráňte pred mrazom.**
- ▶ **Zariadenie na obmedzovanie stavu vody pravidelne čistite podľa pokynov, s použitím kefy a skontrolujte výskyt náznakov jeho poškodenia.**
- ▶ **Pri nasadzovaní hlavy vysávača dávajte pozor na to, aby nedošlo k zacviknutiu a aby ste nepoškodili sieťový kábel.** Hrozí riziko poranenia a poškodenia.
- ▶ **Kontrolujte výskyt prípadných poškodení na zariadení a príslušenstve.** Pred ďalším používaním sa musia ochranné zariadenia alebo mierne poškodené časti starostlivo skontrolovať, či fungujú bezchybne a v súlade s ich určením. Skontrolujte, či pohyblivé časti fungujú bezchybne a nezasekávajú sa, alebo či nie sú jednotlivé časti poškodené. Všetky časti musia byť správne namontované a musia spĺňať všetky podmienky na zarúčenie bezchybného prevádzkovania zariadenia.
- ▶ **Opravu vášho zariadenia zverte iba kvalifikovanému odbornému personálu a iba s použitím originálnych náhradných súčiastok.** Tak je možné zaistiť, aby zostala zachovaná bezpečnosť zariadenia.
- ▶ **Pri nepoužívaní zariadenia (počas prestávok v práci), pred údržbou a opravami, pred výmenou častí príslušenstva alebo pred výmenou filtra vždy vytiahnite sieťovú zástrčku zo zásuvky.** Toto bezpečnostné opatrenie zabraňuje neúmyselnému spusteniu zariadenia.



- ▶ Vysávač nikdy neťahajte do inej pracovnej pozície za sieťový kábel. Neprechádzajte vysávačom cez sieťový kábel.
- ▶ Zariadenie neprepravujte pomocou žeriava.

Navyše vysávače radu UM a UME

- ▶ Pri preprave a nepoužívaní zariadenia uzatvorte vstupnú tvarovanú prípojku uzatváracím prvkom.

2.4 Elektrická bezpečnosť

- ▶ Pripájacia zástrčka zariadenia musí byť vhodná do danej zásuvky. Zástrčka sa nesmie žiadnym spôsobom meniť. Spolu so zariadeniami s ochranným uzemnením nepoužívajte žiadne zástrčkové adaptéry. Nezmenené zástrčky a vhodné zásuvky znižujú riziko úrazu elektrickým prúdom.
- ▶ Zástrčku zapojte do vhodnej uzemnenej zásuvky, ktorá je bezpečne nainštalovaná a spĺňa všetky lokálne predpisy. Pokiaľ si nie ste istí, či je zásuvka uzemnená, dajte ju skontrolovať kvalifikovanému odborníkovi na elektrické zariadenia.
- ▶ Zabraňte telesnému kontaktu s uzemnenými povrchmi, ako sú rúry, kúrenia, sporáky a chladničky. Pri uzemnení vášho tela hrozí zvýšené riziko úrazu elektrickým prúdom.
- ▶ Zariadenie nevystavujte dažďu alebo vlhkosti. Vniknutie vody do elektrického zariadenia zvyšuje riziko úrazu elektrickým prúdom.
- ▶ Uistite sa o tom, že sieťový kábel neleží v kalužiach.
- ▶ Pripájacie vedenie zariadenia pravidelne kontrolujte a v prípade poškodenia ho dajte vymeniť v servisnom stredisku Hilti. Pravidelne kontrolujte predlžovacie vedenia a ak sú poškodené, vymeňte ich.
- ▶ Pokiaľ dôjde pri práci k poškodeniu sieťového pripájacieho vedenia a/alebo predlžovacieho kábla, nesmiete sa ich dotýkať. Vytiahnite sieťovú zástrčku zo zásuvky. Poškodené sieťové pripájacie vedenia a predlžovacie káble predstavujú nebezpečenstvo úrazu elektrickým prúdom.
- ▶ Sieťové pripájacie vedenie sa smie vymeniť výlučne za typ uvedený v návode na obsluhu.
- ▶ Kábel nepoužívajte na účely, na ktoré nie je určený, na prenášanie, zavesenie zariadenia alebo na vytáhanie zástrčky zo zásuvky. Chráňte kábel pred vysokou teplotou, olejom, ostrými hranami alebo pred pohybujúcimi sa časťami zariadenia. Poškodené alebo zauzlené káble zvyšujú riziko úrazu elektrickým prúdom.
- ▶ Pri práci s elektrickým zariadením vo vonkajšom prostredí používajte iba predlžovacie káble vhodné aj do vonkajšieho prostredia. Používanie predlžovacieho kábla vhodného aj do vonkajšieho prostredia znižuje riziko úrazu elektrickým prúdom.
- ▶ Pri prerušení dodávky elektrického prúdu vypnite zariadenie a vytiahnite sieťovú zástrčku.
- ▶ Zásuvku zariadenia používajte len na účely uvedené v návode na obsluhu.
- ▶ Zariadenie nikdy neprevádzkujte v znečistenom alebo vlhkom stave. Prach zachytený na povrchu zariadenia, predovšetkým vodivými materiálmi, alebo vlhkosť môžu za nepriaznivých podmienok viesť k úrazu elektrickým prúdom. Znečistené zariadenie preto dajte v pravidelných intervaloch prekontrolovať v servise Hilti, najmä ak často opracováte vodivé materiály.

2.5 Pracovisko

- ▶ Zabezpečte dostatočné osvetlenie pracoviska.
- ▶ Zabezpečte dobré vetranie pracoviska. Nedostatočne vetrané pracoviská môžu spôsobiť ujmy na zdraví v dôsledku zaťaženia prachom.
- ▶ Na pracovisku udržiavajte poriadok. Z okolia pracoviska odstráňte predmety, o ktoré by ste sa mohli poraniť. Neporiadok v oblasti vykonávania prác môže mať za následok vznik úrazu.
- ▶ So zariadením nepracujte v prostredí s hrozbou výbuchu, v ktorom sa nachádzajú horľavé kvapaliny, plyny alebo prach. Elektrické zariadenia vytvárajú iskry, od ktorých sa môže vznietiť prach alebo výpary.
- ▶ Obzvlášť opatrní buďte pri práci na schodoch.

2.6 Vysávaný materiál

- ▶ Zdravie ohrozujúci, horľavý a/alebo výbušný prach sa nesmie vysávať (horčíkovo-hliníkový prach atď.). Materiály, ktoré majú vyššiu teplotu ako 60 °C (140 °F), sa nesmú vysávať (napr. tlejúce cigarety, horúci popol).
- ▶ Horľavé, výbušné, agresívne kvapaliny sa nesmú vysávať (chladiace a mazacie prostriedky, benzín, rozpúšťadlá, kyseliny (pH < 5), lúhy (pH > 12,5) atď.).
- ▶ Pri unikaní peny alebo kvapalín zariadenie ihneď vypnite.
- ▶ Pri vysávaní horúceho materiálu do teploty max. 60 °C (140 °F) používajte ochranné rukavice.



- ▶ Pri práci s minerálnym kalom z vrtania noste ochranný odev a zabráňte kontaktu s pokožkou (pH > 9, žieravé).
- ▶ Zabráňte kontaktu s alkalickými alebo kyslými kvapalinami. Pri náhodnom kontakte opláchnite vodou. Pri vniknutí kvapaliny do očí ich vypláchnite oči veľkým množstvom vody a dodatočne vyhľadajte lekársku pomoc.

Navýše vysávače radu UL

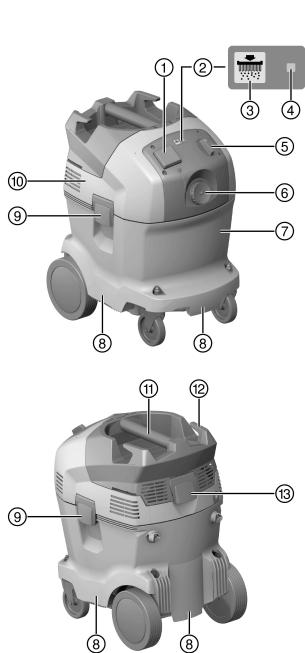
- ▶ Zariadenie v triede prachu L sa hodí na vysávanie/odsávanie suchých, nehorľavých druhov prachu, drevených pilín a triesok a nebezpečného prachu s hraničnými hodnotami expozície > 1 mg/m³. **Podľa nebezpečnosti vysávaného/odsávaného prachu musí byť zariadenie vybavené vhodnými filtermi.**

Navýše vysávače radu UM a UME

- ▶ Zariadenie v triede prachu M sa hodí na vysávanie/odsávanie suchých, nehorľavých druhov prachu, drevených pilín a triesok a nebezpečného prachu s hraničnými hodnotami expozície ≥ 0,1 mg/m³. **Podľa nebezpečnosti vysávaného/odsávaného prachu musí byť zariadenie vybavené vhodnými filtermi.**

3 Opis

3.1 Prehľad výrobku



- ① Zásuvka na zariadení
- ② Automatické čistenie filtra
- ③ Tlačidlo "Čistenie filtra zap./vyp." (len UL a UME)
- ④ Ukazovateľ stavu pre "Automatické čistenie filtra"
- ⑤ Prepínač zariadenia
- ⑥ Vstupná tvarovaná prípojka
- ⑦ Nádobá na nečistoty
- ⑧ Úchopová priehlbina
- ⑨ Uzatváracia spona
- ⑩ Hlava vysávača
- ⑪ Rukoväť
- ⑫ Hák na kábel
- ⑬ Uzatváracia spona krytu filtra

3.2 Používanie v súlade s určením

Výrobky opísané v tomto dokumente sú univerzálnymi priemyselnými vysávačmi, ktoré sú vhodné na profesionálne (priemyselné) použitie. Sú použiteľné na vysávanie nasucho aj namokro. Tento výrobok nepoužívajte na ľudí a zvieratá. Používanie pod vodou je zakázané.

VAROVANIE

Ohrozenie zdravia! Vysávače radu U nie sú vhodné na zachytávanie prachu ohrozujúceho zdravie.

- ▶ S týmito modelmi nevysávajte prach ohrozujúci zdravie.
- ▶ Pred prácou s týmito výrobkom sa informujte o manipulácii s ním, o nebezpečenstvách pochádzajúcich z materiálu a o bezpečnom likvidovaní materiálu.



- ▶ Výrobok nepoužívajte v stacionárnom, nepretržitom režime prevádzky, v automatických alebo poloautomatických systémoch.
- ▶ Používajte len originálne príslušenstvo a náradie od firmy **Hilti**, aby ste predišli nebezpečenstvám poranenia.
- ▶ Na zabránenie vytvárania elektrostatických efektov používajte antistatickú saciú hadicu.
- ▶ Nevysávajte žiadne predmety, ktoré môžu aj cez vrecko na prach spôsobiť poranenia (napríklad špicatý predmet alebo vysávaný materiál s ostrými hranami).
- ▶ Výrobok nepoužívajte ako náhradu rebríka.

Tento výrobok je pri profesionálnom (priemyselnom) používaní vhodný na nasledujúce použitie:

- Vysávanie veľkého množstva prachu vznikajúceho pri použití diamantových brúsok **Hilti**, rezacích brúsok, vrtacích kladív a vrtacích korúnok na vrtanie nasucho.
- Vysávanie minerálneho kalu z vrtania vznikajúceho pri použití diamantových vrtacích korúnok **Hilti** alebo diamantových píľ **Hilti** a tekutých nasávaných materiálov až do teploty < 60 °C (140 °F).
- Vysávanie oleja a tekutých médií až do teploty < 60 °C (140 °F).
- Čistenie plôch stien a podlahy, namokro a nasucho

Navyše vysávače radu UL

Vysávanie suchých, nehorľavých druhov prachu, kvapalín, drevených pilín a triesok a nebezpečných druhov prachu s hraničnými hodnotami expozície na úrovni > 1 mg/m³ (trieda prachu L).

Navyše vysávače radu UM a UME

Vysávanie suchých, nehorľavých druhov prachu, kvapalín, drevených pilín a triesok a nebezpečných druhov prachu s hraničnými hodnotami expozície na úrovni \geq 0,1 mg/m³ (trieda prachu M).

Navyše vysávače radu UL, UM a UME

Pri odľučovacoch prachu je potrebné, aby bola zabezpečená dostatočná miera výmeny vzduchu L v miestnosti, ak sa použitý vzduch vracia do miestnosti. Prosím, dodržiavajte národné ustanovenia.

3.3 Možné chybné použitie

- Priemyselný vysávač sa nesmie prevádzkovať v pozícii naleighato.
- Priemyselný vysávač sa nesmie používať na vysávanie látok s nebezpečenstvom výbuchu, žeravých, horiacich, horúcich alebo zápalných látok a agresívnych druhov prachu (napríklad horčíkovo-hliníkový prach atď.). Výnimku tvoria: drevené triesky a piliny.
- Priemyselný vysávač sa nesmie používať na vysávanie horľavých kvapalín (napríklad benzínu, riedidiel, kyselín, chladiacich a mazacích prostriedkov atď.).
- Materiály ohrozujúce zdravie (napr. azbest) sa nesmú spracovávať.

3.4 Rozsah dodávky

Vysávač na vysávanie namokro/nasucho vrátane filtračného prvku, sacia hadica kompletne s otočnou objímkou (na strane vysávača) a nátrubkom na náradie PE VC 20/40, návod na obsluhu.

3.5 Akustický výstražný signál

Vysávače radu UM a UME sú vybavené akustickým varovným signálom. Zaznie z bezpečnostných dôvodov, keď rýchlosť vzduchu v sacej hadici klesne pod 20 m/s.

Aby sa akustický varovný signál aktivoval správne, na prvku pre nastavenie priemeru hadice je potrebné nastaviť priemer vami použitej sacej hadice.

3.6 Automatické čistenie filtra

Vysávač disponuje automatickým čistením filtra, pomocou ktorého sa z filtračného prvku čo najviac uvoľní zachytený prach.

Čistenie filtra sa dá vypnúť stlačením tlačidla "Automatické čistenie filtra ZAP/VYP" a opakovaným stlačením sa dá opäť zapnúť.

Stav	Význam
LED-dióda svieti.	• Čistenie filtra je aktivované.
LED-dióda nesvieti.	• Čistenie filtra je deaktivované.

Pri každom spustení vysávača sa čistenie filtra automaticky aktivuje.

Filteračný prvok sa automaticky čistí náporom vzduchu (pulzujúci zvuk).



- i** Pri používaní v systéme (najmä pri brúsení, rezaní a vytváraní drážok) alebo pri nasávaní väčšieho množstva prachu musí byť aktivované čistenie filtra, aby bol možný trvalo vysoký sací výkon. Čistenie filtra funguje len pri pripojenej sacej hadici.

3.7 Upozornenia týkajúce sa používania

Príslušenstvo a spôsoby jeho použitia

Príslušenstvo	Spôsob použitia
Plastové vrečko na prach PE VC 20 (203854)	použitie na minerálne látky, namokro a nasucho
Plastové vrečko na prach PE VC 40 (203852)	použitie na minerálne látky, namokro a nasucho
Papierové vrečko na prach VC 20 (203858)	použitie na drevo
Papierové vrečko na prach VC 40 (203856)	použitie na drevo
Suchý filter VC 20/40 (2121386)	nasucho
Filter VC 20/40 universal (2121387)	univerzálne, namokro a nasucho
Filter VC 20/40 performance (2121388)	intenzívne používanie namokro a nasucho
Sacia hadica 27 x 3,5 m AS	namokro a nasucho
Sacia hadica 36 mm	prevažne namokro, žiadne používanie na prach
Sacia hadica 36 x 5 m AS	namokro a nasucho

- Pri používaní vysávačov radu UM a UME bezpodmienečne používajte plastové alebo papierové vrečko na prach.

4 Technické údaje

4.1 Vysávač na vysávanie namokro/nasucho

	VC 20	VC 40
Rozmery (d x š x v v mm)	505 x 380 x 500	505 x 380 x 610
Hmotnosť podľa štandardu EPTA 01	13,0 kg	14,7 kg
Objem nádoby	21 ℓ	36 ℓ
Úžitkové množstvo prachu	23 kg	40 kg
Plniace množstvo vody	13,5 ℓ	25 ℓ
Prevádzková teplota	-10 °C ... 40 °C	-10 °C ... 40 °C
Automatické čistenie filtra každých	15 s	15 s
Trieda ochrany	I	I
Druh ochrany	IP X4	IP X4
Frekvencia siete	50 Hz ... 60 Hz	50 Hz ... 60 Hz

4.2 Menovité napätie

- i** Pri prevádzkovaní na generátore alebo transformátore musí byť jeho výstupný (podávaný) výkon minimálne dvakrát taký vysoký ako je menovité príkon, ktorý je uvedený na typovom štítku zariadenia. Prevádzkové napätie transformátora alebo generátora musí byť neustále v rozsahu +5 % a -15 % menovitého napätia zariadenia.

•/•	100 V [V]	110 V [V]	110 V [V]	200 V [V]
Menovité príkon	1 200 W [W]	1 100 W [W]	1 100 W [W]	950 W [W]
Pripájací výkon zásuvky integrovanej v zariadení pre elektrické náradie (ak je k dispozícii)	•/•	1 600 W [W]	•/•	•/•



Sieťové pripojenie (typ)	VCTF 3 x 2,0 mm ²	A07 QQF 3 / 12 AWG	H07 BQF 3G 1,5 mm ²	VCTF 3 x 2,0 mm ²
•/•	220 – 240 V [V]	220 – 240 (CH) V [V]	220 – 240 (GB) V [V]	220 – 240 (NZ) V [V]
Menovitý príkon	1 200 W [W]	1 200 W [W]	1 200 W [W]	1 200 W [W]
Pripájací výkon zásuvky integrovanej v zariadení pre elektrické náradie (ak je k dispozícii)	2 400 W [W]	1 100 W [W]	1 800 W [W]	1 200 W [W]
Sieťové pripojenie (typ)	H07 RNF 3G 1,5 mm ²	H07 RNF 3G 1,5 mm ²	H07 RNF 3G 1,5 mm ²	H07 RNF 3G 1,5 mm ²

4.3 Maximálny objemový tok a maximálny podtlak

		VC 20-U	VC 20-UL	VC 20-UM	VC 20-UME
Maximálny objemový tok (vzduch)	950 W	68 ℓ/s	•/•	•/•	•/•
	1 100 W	68 ℓ/s	•/•	•/•	•/•
	1 200 W	74 ℓ/s	•/•	•/•	•/•
Maximálny objemový tok (vzduch)	1 100 W	•/•	138 m ³ /h	138 m ³ /h	138 m ³ /h
	1 200 W	•/•	150 m ³ /h	150 m ³ /h	150 m ³ /h
Maximálny podtlak	950 W	235 hPa	•/•	•/•	•/•
	1 100 W	230 hPa	209 hPa	209 hPa	209 hPa
	1 200 W	253 hPa	253 hPa	253 hPa	253 hPa

		VC 40-U	VC 40-UL	VC 40-UM	VC 40-UME
Maximálny objemový tok (vzduch)	950 W	68 ℓ/s	•/•	•/•	•/•
	1 100 W	68 ℓ/s	•/•	•/•	•/•
	1 200 W	74 ℓ/s	•/•	•/•	•/•
Maximálny objemový tok (vzduch)	1 100 W	•/•	138 m ³ /h	138 m ³ /h	138 m ³ /h
	1 200 W	•/•	150 m ³ /h	150 m ³ /h	150 m ³ /h
Maximálny podtlak	950 W	235 hPa	•/•	•/•	•/•
	1 100 W	230 hPa	209 hPa	209 hPa	209 hPa
	1 200 W	253 hPa	253 hPa	253 hPa	253 hPa

4.4 Informácie o hluku a vibráciách merané podľa normy EN 60335

Nasledujúce údaje platia pre všetky priemyselné vysávače VC 20 a VC 40.

Úroveň emisií akustického tlaku (L_{pA})	73 dB(A)
Neistota pri hladine akustického tlaku (K_{pA})	2,5 dB(A)
Hodnota emisií vibrácií	< 2,5 m/s ²

5 Používanie predlžovacej šnúry



VAROVANIE

Nebezpečenstvo vyplývajúce z poškodeného kábla! Pri poškodení sieťovej alebo predlžovacej šnúry pri práci sa šnúry nedotýkajte. Zástrčku sieťovej šnúry vytiahnite zo zásuvky.

- Pripájacie vedenie výrobku pravidelne kontrolujte a v prípade poškodenia ho nechajte vymeniť povereným odborníkom.
- Používajte predlžovacie káble len s dostatočným prierezom vodičov, schválené pre dané využitie. V opačnom prípade môže dôjsť k zníženiu výkonu náradia a prehriatiu kábla.
- Pravidelne kontrolujte predlžovací kábel, či nie je poškodený.
- Poškodený predlžovací kábel vymeňte.



- Vo vonkajšom prostredí používajte iba schválené a príslušne označené predlžovacie káble.

Odporúčaný minimálny prierez a maximálna dĺžka kábla pri sieťovom napätí 120 V

Káble	AWG 16	AWG 14	AWG 12	AWG 10
Prierez vodiča	1,31 mm ²	2,08 mm ²	3,31 mm ²	5,26 mm ²
Prierez vodiča	2,58 kcmil	4,11 kcmil	6,53 kcmil	10,4 kcmil
Dĺžka kábla	25 m	30 m	50 m	100 m
Dĺžka kábla	75 ft	100 ft	150 ft	250 ft

6 Uvedenie do prevádzky



NEBEZPEČENSTVO

Nebezpečenstvo úrazu elektrickým prúdom. Ak nie je vysávač riadne pripojený, môže to viesť k usmrteniu alebo k vzniku závažných poranení.

- ▶ Vysávač pripájajte len na riadne uzemnený zdroj elektrického prúdu.



POZOR

Nebezpečenstvo poranenia v dôsledku nekontrolovaných pohybov! Pri uvoľnených brzdách koliesok sa môže vysávač nekontrolovane uviesť do pohybu.

- ▶ Kvôli bezpečnému státiu vysávača aktivujte brzdy koliesok.

6.1 Prvé uvedenie do prevádzky



Plastové vrečko na prach: Na vysávanie prachu, ktorý nie je nebezpečný

Plastové vrečko na prach pre minerálne druhy prachu, alebo papierové vrečko na prach pre drevené triesky a piliny:

> Trieda M na vysávanie prachu s hraničnými hodnotami expozície na úrovni $\geq 0,1$ mg/m³

> Trieda L alebo M vysávanie prachu s hraničnými hodnotami expozície na úrovni > 1 mg/m³

1. Otvorte dve uzatváracie spony.
2. Zdvihnite hlavu vysávača z nádoby na nečistoty.
3. Vyberte diely príslušenstva z nádoby na nečistoty a z obalu.
4. Nasadte hlavu vysávača na nádobu na nečistoty a uzatvorte dve uzatváracie spony.
5. Presvedčte sa, že hlava vysávača je správne namontovaná a zaistená.
6. Pripojte saciu hadicu na zariadenie.

6.2 Vloženie papierového vrečka na prach pri vysávaní drevených triesok a pilín



Ostré predmety by mohli preraziť vrečko na vysávaný materiál.

Presvedčte sa, že nedošlo k prerazeniu vrečka na prach vysávanými predmetmi.

1. Vytiahnite sieťovú zástrčku zo zásuvky.
2. Otvorte dve uzatváracie spony.
3. Zdvihnite hlavu vysávača z nádoby na nečistoty.
4. Vložte nové papierové vrečko na prach do adaptéra a ten pripevnite na nádobu na nečistoty.
5. Nasadte hlavu vysávača na nádobu na nečistoty.
6. Uzavorte dve uzatváracie spony.
7. Presvedčte sa, že hlava vysávača je správne namontovaná a zaistená.
8. Pripojte saciu hadicu na zariadenie.

6.3 Vloženie plastového vrečka na prach

1. Vytiahnite sieťovú zástrčku zo zásuvky.
2. Otvorte dve uzatváracie spony.
3. Zdvihnite hlavu vysávača z nádoby na nečistoty.
4. Upevnite nové plastové vrečko na prach (návod je vytlačený) v nádobe na nečistoty.



- Nasaďte hlavu vysávača na nádobu na nečistoty a uzatvorte dve uzatváracie spony.

7 Obsluha

VAROVANIE

Nebezpečenstvo poranenia. V dôsledku poškodenia filtračného systému môže dôjsť k úniku zdraviu škodlivého prachu.

- ▶ V prípade núdze (napríklad pri prelomení filtra) vypnite vysávač, vytiahnite sieťovú zástrčku zo zásuvky a dajte vysávač pred ďalším použitím skontrolovať odborným personálom.

NEBEZPEČENSTVO

Nebezpečenstvo poranenia. Pri vysávačoch triedy L a triedy M výrobok obsahuje prach, ktorý je zdraviu škodlivý.

- ▶ Práce spojené s vyprázdňovaním a údržbou, vrátane odstraňovania zberných nádob na prach, smú vykonávať iba odborníci. Noste zodpovedajúcu ochrannú výbavu.
- ▶ Predtým než vysávač odstránite z oblasti zaťaženej nebezpečnými látkami, povysávajte vonkajšiu stranu vysávača, dočista ho poutierajte alebo ho tesne zabaľte. Pretože všetky časti stroja musia byť považované za znečistené, ak sa odoberú z nebezpečnej oblasti, podniknite vhodné opatrenia na zabránenie šíreniu a rozptýleniu prachu.
- ▶ Vysávač nikdy neprevádzkujte bez úplného filtračného systému.

POZOR

Nebezpečenstvo poranenia v dôsledku nekontrolovaných pohybov! Pri uvoľnených brzdách koliesok sa môže vysávač nekontrolovane uviesť do pohybu.

- ▶ Kvôli bezpečnému státiu vysávača aktivujte brzdy koliesok.


7.1 Nastavenie priemeru sacej hadice na vysávačoch radu UM a UME

- Pri vysávaní/odsávaní suchých, nehorľavých druhov prachu s hraničnými hodnotami expozície a pri vysávaní drevených triesok či pilín zosúlajte priemer sacej hadice s nastavením pozície prepínača pre nastavenie priemeru hadice.
- Ak používate vysávač so systémom s dutým vrtákom **Hilti**, prepnite na najmenší priemer hadice.


7.2 Prevádzka bez využitia zásuvky na zariadení

- Pred zasunutím sieťovej zástrčky sa uistite, že prepínač zariadenia sa nachádza na pozícii "OFF".
- Zasuňte sieťovú zástrčku vysávača do zásuvky.
- Prepínač zariadenia otočte na pozíciu "ON".

7.3 Prevádzka s využitím zásuvky na zariadení

 Zásuvka tohto zariadenia je určená len na priame pripojenie elektrického náradia na vysávač. Pri používaní elektrického náradia pripojeného na zásuvku zariadenia je potrebné dodržať návod na obsluhu náradia a rešpektovať bezpečnostné upozornenia, ktoré sú v ňom obsiahnuté.

- Vytiahnite sieťovú zástrčku vysávača zo zásuvky.
- Skontrolujte, či sa maximálny príkon pripájaného elektrického náradia nachádza pod prípustným maximálnym výkonom zásuvky na zariadení, pozrite si kapitolu "Technické údaje" a nálepku na zásuvku zariadenia.
- Pred zasunutím sieťovej zástrčky elektrického náradia sa uistite, že je elektrické náradie vypnuté.
- Zasuňte sieťovú zástrčku elektrického náradia do zásuvky na zariadení.
- Zasuňte sieťovú zástrčku vysávača do zásuvky.
- Prepínač zariadenia otočte na pozíciu "Auto".
- Zapnite elektrické náradie.

 Po vypnutí elektrického náradia bude vysávač ešte krátko chvíľu v činnosti, aby sa odsal aj prach nachádzajúci sa v sacej hadici.



7.4 Vysávanie suchého prachu

Pred vysávaním suchého prachu a najmä minerálnych druhov prachu je potrebné dbať na to, aby bolo v nádobe vždy vložené správne vrecko na prach. Povysávaný materiál možno potom čistým a jednoduchým spôsobom zlikvidovať.

POZOR

Nebezpečenstvo poranenia. Bez použitia filtračného prvku môže unikať nebezpečný vysávaný materiál.

- ▶ Nikdy nevysávajte bez filtračného prvku.
- ▶ Dávajte pozor na to, aby bol filtračný prvok suchý a aby bolo vložené vhodné vrecko na prach.

7.5 Vysávanie kvapalín

POZOR

Nebezpečenstvo poranenia. Bez použitia filtračného prvku môže unikať nebezpečný vysávaný materiál.

- ▶ Nikdy nevysávajte bez filtračného prvku.

1. Skontrolujte monitorovanie stavu naplnenia. → strana 86
2. Podľa možnosti použite samostatný filtračný prvok na používanie namokro.

Odporúčaný je filter **Hilti** VC 20/40 universal (2121387).

3. Po vysávaní kvapalín otvorte dve uzatváracie spony.
4. Zdvihnite hlavu vysávača z nádoby na nečistoty a postavte ju na rovný podklad tak, aby mohol filtračný prvok vyschnúť.
5. Vyprázdňte nádobu na nečistoty a vyčistite ju použitím hadice s vodou. Elektródy vyčistite kefkou a filtračný prvok po predchádzajúcom vyschnutí očistite pretretím rukou.
6. Nechajte nádobu na nečistoty vyschnúť.

7.6 Po vysávaní

1. Vypnite elektrické náradie.
2. Otočte prepínač zariadenia na pozíciu "OFF".
3. Vytiahnite sieťovú zástrčku vysávača zo zásuvky.
4. Naviňte pripájacie vedenie a zaveste ho na hák pre kábel.
5. Vyprázdňte nádobu a zariadenie vyčistite poutieraním vlhkou handrou.
6. Naviňte hadicu.
7. Vysávač odstavte v suchej miestnosti tak aby bol chránený pred použitím nepovolnými osobami.

7.7 Vyprázdňovanie nádoby na nečistoty pri suchom prachu

1. Vytiahnite sieťovú zástrčku zo zásuvky.
2. Zdvihnite hlavu vysávača z nádoby na nečistoty a postavte ju na rovný podklad.
 - ↳ **Vysávače radu UM a UME**
 - ▶ Vyberte vrecko na prach z nádoby na nečistoty.
 - ↳ **Vysávače radu U a UL**
 - ▶ Vyberte vrecko na prach z nádoby na nečistoty alebo siahnite na úchopové priehlbiny a vyprázdňte nádobu na nečistoty jej vyklopením.
3. Potom nasadte hlavu vysávača na nádobu na nečistoty a uzatvorte dve uzatváracie spony.

7.8 Vyprázdňovanie nádoby na nečistoty bez vrecka na prach (pri kvapalinách)

1. Vytiahnite sieťovú zástrčku zo zásuvky.
2. Zdvihnite hlavu vysávača z nádoby na nečistoty a postavte ju na rovný podklad.
3. Siahnite na úchopové priehlbiny a vyprázdňte nádobu na nečistoty jej vyklopením.
4. Očistite okraj nádoby na nečistoty handrou.
5. Nasadte hlavu vysávača na nádobu na nečistoty a uzatvorte dve uzatváracie spony.



8 Starostlivosť a údržba

8.1 Starostlivosť o zariadenie

VAROVANIE

Nebezpečenstvo úrazu elektrickým prúdom. Neodborné opravy na elektrických častiach môžu viesť k závažným poraneniam.


- ▶ Opravy na elektrických častiach nechajte vykonávať len odborníkom na elektrické zariadenia.
- ▶ Zariadenie a predovšetkým úchopové plochy udržiavajte suché, čisté a bez prítomnosti oleja a tuku. Nepoužívajte čistiace a údržbové prostriedky obsahujúce silikón.
- ▶ Vysávač nikdy neprevádzkujte s upchatými štrbinami slúžiacimi na odvetrávanie! Štrbiny na odvetrávanie opatrne vyčistite suchou kefou. Zabráňte vniknutiu cudzích predmetov do vnútra zariadenia.
- ▶ Vonkajšiu stranu zariadenia pravidelne čistite mierne navlhčenou handrou. Na čistenie nepoužívajte rozprašovač, parný čistič alebo tečúcu vodu, pretože by sa tým mohla ohroziť elektrická bezpečnosť zariadenia.

Vysávače radu UL, UM a UME

Pri údržbe a čistení sa so zariadením musí zaobchádzať tak, aby nevzniklo žiadne riziko pre personál vykonávajúci údržbu a pre iné osoby.

- ▶ Používajte nútené vetranie s filtráciou.
- ▶ Používajte ochranný odev.
- ▶ Oblasť údržby vyčistite tak, aby sa do okolia nedostali žiadne nebezpečné látky.
- ▶ Pred odstránením zariadenia z oblasti s nebezpečnými látkami, povysávajte vonkajší obal zariadenia, dočista ho poutierajte alebo zariadenie tesne zabaľte. Tým zabránite šíreniu usadeného, nebezpečného prachu.
- ▶ Pri údržbových a opravárenských prácach zabaľte všetky znečistené diely, ktoré nebolo možné uspokojivo vyčistiť, do nepriepustných vriec a zlikvidujte ich v súlade s predpismi platnými pre odstraňovanie.
- ▶ Minimálne jedenkrát ročne nechajte servisom firmy **Hilti** alebo vzdelanou osobou vykonať prachovo-technickú kontrolu, napríklad výskytu poškodenia filtra, vzduchotesnosti zariadenia a funkcie kontrolných zariadení.

8.2 Automatické čistenie filtra

 Filtračný prvok pri čistení neudierajte o tvrdé predmety ani nečistite tvrdými či špicatými predmetmi. Životnosť filtračného prvku sa tým znižuje.

Filtračný prvok sa nesmie čistiť pomocou čističa využívajúceho stlačený vzduch. Môže to spôsobiť trhliny v materiáli filtra.

Filtračný prvok je súčasť podliehajúca opotrebovaniu.

- ▶ Filtračný prvok vymeňte minimálne každého pol roka.
- ▶ Filtračný prvok však vymieňajte častejšie v prípade intenzívneho používania.

8.3 Výmena filtračného prvku

1. Vytiahnite sieťovú zástrčku zo zásuvky.
2. Otvorte uzatváraciu sponu pre kryt filtra.
3. Otvorte kryt filtra.
4. Opatrne vyberte filtračný prvok na úchopových priehlbínach dostupných v držiaku.
5. Očistite tesniacu plochu handrou.
6. Nasadte nový filtračný prvok.
7. Uzatvorte kryt filtra sklopením aretácie vrchného krytu dopredu.
8. Uzatvorte uzatváracie spony pre kryt filtra.

8.4 Kontrola monitorovania stavu naplnenia

1. Kvôli bezpečnému státiu vysávača aktivujte brzdy koliesok.
2. Vytiahnite sieťovú zástrčku zo zásuvky.
3. Otvorte dve uzatváracie spony.
4. Zdvihnite hlavu vysávača z nádoby na nečistoty a postavte ju na rovný podklad.
5. Kontrolujte, či nie sú vypínacie kontakty znečistené a v prípade potreby ich očistite kefou.



6. Skontrolujte, či nie je znečistené tesnenie na hlave vysávača a v prípade potreby ho očistite handrou.
7. Nasadíte hlavu vysávača na nádobu na nečistoty a uzatvorte dve uzatváracie spony.

8.5 Kontrola po ošetrovaní a údržbe

1. Po vykonaní prác spojených so starostlivosťou o zariadenie a jeho opravami skontrolujte, či je vysávač správne zostavený a či bezchybne funguje.
2. Vykonaajte test fungovania.

9 Preprava a skladovanie

9.1 Preprava

Plné zariadenie sa nesmie prenášať.

Zariadenie sa nesmie zavesiť na žeriav.

- ▶ V prípade potreby odstráňte Power Conditioner alebo voľný nástroj z držiaka.
- ▶ Zariadenie pred prenášaním na iné miesto vyprázdňte.
- ▶ Zariadenie neprekláľajte a ani ho neprepravujte v polohe nalezato, ak ste vysávali kvapaliny.
- ▶ Na prepravu zložte obidva konce hadice dohromady pomocou kónického adaptéra.

Vysávače radu UM a UME



NEBEZPEČENSTVO

Nebezpečenstvo poranenia. Cez vstupnú tvarovanú prípojku môže unikať nebezpečný vysávaný materiál.

- ▶ Pri vysávačoch triedy M uzatvorte na účely prepravy a pri nepoužívaní vstupnú tvarovanú prípojku pomocou uzatváracieho prvku.

9.2 Skladovanie

- ▶ Vysávač odstavte v suchej miestnosti tak aby bol chránený pred použitím nepovolnými osobami.

10 Pomoc v prípade porúch

Pri výskyte takých porúch, ktoré nie sú uvedené v tejto tabuľke, alebo ktoré nedokážete odstrániť sami, sa obráťte na náš servis **Hilti**.

10.1 Tabuľka porúch

Porucha	Možná príčina	Riešenie
Pri vysávačoch radu UM a UME Akustický varovný signál (znížený sací výkon)	Vrecko na prach je plné.	▶ Vymeňte vrecko na prach.
	Filtračný prvok je silno znečistený.	▶ Ak je deaktivované automatické čistenie filtra, aktivujte automatické čistenie filtra a nechajte vysávač v činnosti počas 30 sekúnd.
	Sacia hadica alebo kryt proti prachu na elektrickom náradí sú upchaté.	▶ Vyčistite saciu hadicu a kryt proti prachu.
Z náradia sa vyfukuje prach.	Nastavenie priemeru hadice je v nesprávnej pozícii.	▶ Nastavte priemer hadice. ▶ Pri aplikáciách s dutým vrtákom si vyberte hadicu s priemerom 15 mm.
	Filtračný prvok nie je namontovaný správnym spôsobom.	▶ Namontujte filtračný prvok ešte raz.
Zariadenie sa nechcane zapína a vypína alebo dochádza k statickému vybíjaniu cez používateľa.	Filtračný prvok je poškodený.	▶ Namontujte nový filtračný prvok.
	Nie je zaručené odvádzanie elektrostatického náboja, zariadenie nie je pripojené na uzemnenú zásuvku.	▶ Pripojte zariadenie na uzemnenú zásuvku, použite antistatickú hadicu.



Porucha	Možná príčina	Riešenie
Náradie nebeží alebo sa vypne krátko po spustení.	Aktivovalo sa odstavenie vody.	► Vyčistite snímače a okolie snímačov kefou.
Motor už nebeží.	Aktivovalo sa istenie sieťovej zásuvky.	► Zapnite istenie. ► Po opakovanom aktivovaní vyhľadajte príčinu vzniku nadmerného prúdu.
	Nádoba na nečistoty je plná.	► Vypnite zariadenie a vyprázdňte nádobu na nečistoty.
	Aktivovala sa tepelná poistka motora.	► Vypnite zariadenie a nechajte ho približne 5 minút ochladzovať. ► Ak sa motor nespustí, dajte zariadenie do zákaznického servisu firmy Hilti .
	Tepelná poistka motora opakovane vypína motor.	► Štrbiny na odvetrávanie opatrne vyčistite suchou kefou.
Motor nebeží v automatickej prevádzke.	Pripojené náradie alebo zariadenie je poškodené alebo nie je správne pripojené.	► Skontrolujte fungovanie pripojeného náradia/zariadenia alebo pevne zasuňte sieťovú zástrčku.
Automatické čistenie filtračného prvku nefunguje.	Nie je pripojená žiadna sacia hadica.	► Pripojte saciu hadicu.

11 Likvidácia

Výrobky značky sú z veľkej časti vyrobené z recyklovateľných materiálov. Predpokladom na opakované využitie recyklovateľných materiálov je ich správne separovanie. V mnohých krajinách firma **Hilti** odoberie vaše staré zariadenie na recykláciu. Opýtajte sa na to v zákaznickom servise firmy **Hilti** alebo u svojho obchodného poradcu.

Podľa európskej smernice o elektroodpade a elektronickom odpade a podľa jej premietnutia do národného práva sa musia opotrebované elektrické zariadenia separovane zbierať a odovzdávať na recykláciu v súlade s predpismi na ochranu životného prostredia.



- Elektrické zariadenia nevyhadzujte do komunálneho odpadu!

Kal z vrtania

Z hľadiska životného prostredia je odvádzanie kalu z vrtania do vodných tokov alebo do kanalizácie, bez predchádzajúcej úpravy, problematické.

- Informácie o existujúcich predpisoch vám poskytnú príslušné úrady vo vašej krajine.

Odporúčame vykonať nasledujúcu úpravu:

- Kal z vrtania zachyťte (napríklad pomocou vysávača na vysávanie namokro).
- Nechajte kal z vrtania usadiť a pevný podiel zlikvidujte na skládku stavebného odpadu (proces odlučovania môžu urýchliť flokulačné prostriedky).
- Pred vyliatím zostatkovej vody (alkalická, hodnota pH > 7) do kanalizácie ju neutralizujte pridaním kyslého neutralizačného prostriedku alebo zriadením veľkým množstvom vody.

Prach z vrtania

- Zachytený prach z vrtania zlikvidujte v súlade s existujúcimi národnými, zákonnými predpismi.

12 Záruka výrobcu

- Ak máte akékoľvek otázky týkajúce sa záručných podmienok, obráťte sa, prosím, na vášho lokálneho partnera spoločnosti **Hilti**.



1 文書について

1.1 本書について

- ご使用前に本書をすべてお読みください。このことは、安全な作業と問題のない取扱いのための前提条件となります。
- 本書および製品に記載されている安全上の注意と警告表示に注意してください。
- 取扱説明書は常に製品とともに保管し、他の人が使用する場合には、製品と取扱説明書を一緒にお渡しください。

1.2 記号の説明

1.2.1 警告表示

警告表示は製品の取扱いにおける危険について警告するものです。以下の注意喚起語が使用されています：



危険！

▶ この表記は、重傷あるいは死亡事故につながる危険性がある場合に注意を促すために使われます。



警告！

▶ この表記は、重傷あるいは死亡事故につながる可能性がある場合に注意を促すために使われます。



注意！

▶ この表記は、軽傷あるいは物財の損傷が発生する可能性がある場合に使われます。

1.2.2 本書の記号

文書には以下の記号が使用されています：



使用前に取扱説明書をお読みください



本製品を効率良く取り扱うための注意事項や役に立つ情報



リサイクル可能な部品の取扱い



電動工具およびバッテリーを一般ゴミとして廃棄してはなりません

1.2.3 図中の記号

図中では以下の記号が使用されています：



この数字は本取扱説明書冒頭にある該当図を示しています

3

付番は図中の作業手順の順序に対応していて、本文の作業手順とは一致しない場合があります



概要図には項目番号が付されていて、製品概要セクションの凡例の番号に対応しています



この記号は、製品の取扱いの際に特に注意が必要なことを示しています。



無線データ転送

1.2.4 追加記号

製品には以下の記号が使用されています：



クレーンによる搬送禁止



1.3 製品により異なる記号

1.3.1 製品に表示されている記号

製品には以下の記号が使用されています：

	高温に関する警告事項
	クレーンによる搬送禁止

1.4 製品に取り付けられているステッカー

UL 集じん機



警告事項：当本体には、健康を損なう恐れのある粉じんが取り込まれています。ダストバッグを空にする際、手入れの際には（ダストバッグの廃棄を含む）、必ず相応の保護用具を着用した専門の担当者が作業を行うようにしてください。フィルターシステム一式が取り付けられるまではスイッチをオンにしないでください。

UM および UME 集じん機



警告事項：当本体には、健康を損なう恐れのある粉じんが取り込まれています。ダストバッグを空にする際、手入れの際には（ダストバッグの廃棄を含む）、必ず相応の保護用具を着用した専門の担当者が作業を行うようにしてください。フィルターシステム一式が取付けられ、体積流量コントロール機能の点検が行われるまでは、スイッチをオンにしないでください。

1.5 製品情報

HILTI 製品はプロ仕様で製作されており、その使用、保守、修理を行うのは、認定を受けトレーニングされた人のみに限ります。これらの人は、遭遇し得る危険に関する情報を入手していなければなりません。製品およびアクセサリーの使用法を知らない者による誤使用、あるいは規定外の使用は危険です。

機種名および製造番号は銘板に表示されています。

- ▶ 製造番号を以下の表に書き写しておいてください。ヒルティ代理店やサービスセンターへお問い合わせの際には、製品データが必要になります。

製品データ

乾湿兼用バキュームクリーナー	VC 20-U VC 20-UL VC 20-UM VC 20-UME VC 40-U VC 40-UL VC 40-UM VC 40-UME
製品世代	02
製造番号	

1.6 適合宣言

当社は、単独の責任において本書で説明している製品が有効な基準と標準規格に適合していることを宣言します。適合宣言書の複写は本書の末尾にあります。

技術資料は本書の後続の頁に記載されています：

Hilti Entwicklungsgesellschaft mbH | Zulassung Geräte | Hiltistraße 6 | 86916 Kaufering, DE



2 安全

2.1 一般安全注意事項

この取扱説明書の各項に記された安全注意事項の外に、下記事項を必ず守ってください。

- ▶ すべての注意事項をお読みください！以下の注意事項を守らないと、感電、火災、重大な怪我の恐れがあります。
- ▶ 本体を電動工具と接続して使用する場合、ご使用前に電動工具の取扱説明書をよく読み、すべての注意事項を守ってください。
- ▶ 本体の加工や改造は許されません。
- ▶ 用途に合った工具をご使用してください。本体を本来の目的以外には使用しないでください。必ず、指示にしたがい、不具合のない状態で使用してください。
- ▶ 本体を使用する作業の前に、その取扱い、吸引する物質から生じる危険およびその安全な廃棄について確認してください。
- ▶ 周囲状況を考慮してください。火災や爆発の恐れがあるような状況では、本体を使用しないでください。
- ▶ 本体を使用することができるのは、本体の使用に慣れていて、安全な使用のための知識を有し、発生する危険について理解している者のみです。本体は子供が使用するように設計されていません。
- ▶ 本体を使用しない時には、確実に保管してください。未使用時には、本体を乾いた高い場所に施錠し、子供が触れない状態で保管してください。

2.2 作業者に関する安全

- ▶ 本製品を使用の際は、油断せずに十分注意し、常識をもった作業をおこなってください。疲れている場合、薬物、医薬品服用およびアルコール飲用による影響下にある場合には集じん機を使用しないでください。本体使用中の一瞬の不注意が重傷の原因となることがあります。
- ▶ 本体の使用および保守作業中には、作業者および現場で直近に居合わせる人々は保護メガネ、保護ヘルメット、耳栓、保護手袋、安全靴および防じんマスクを着用しなければなりません。
- ▶ キャスターブレーキを操作して、集じん機を安定した状態に保ってください。キャスターブレーキがかかっていないと、集じん機が意図せず動き出す危険があります。
- ▶ 吸じんシステムの接続が可能な場合には、これらのシステムが適切に接続、使用されていることを確認してください。吸じんシステムを利用することにより、粉じん公害を防げます。

2.3 本体の慎重な取扱いおよび使用

- ▶ 決して本体を放置しないでください。
- ▶ 危険粉じんの吸引時、特に粉じんを生成する電動工具の使用時にはフィルタークリーニングを非作動にしないでください。
- ▶ 本体を凍結から保護してください。
- ▶ 液量を確認するためのフロートは、指示に従い定期的にブラシを使用して清掃し、損傷の兆候がないか点検してください。
- ▶ サクションヘッドを取り付ける際には、指を挟んだり電源コードを損傷したりしないように注意してください。負傷や損傷の危険があります。
- ▶ 本体とアクセサリに損傷がないか点検してください。本体を続けて使用する前に、安全装置および軽度の損傷箇所について、作業に影響を及ぼすことなく規定どおりの機能を発揮できることを確認する必要があります。可動部分が問題なく動作し、動きに硬さがないか、あるいは部品に損傷がないか点検してください。すべての部品が正しく取り付けられて、本体が支障なく作動するための条件が整っていないかもしれません。
- ▶ 本体の修理は必ず認定サービスセンターにお申し付けください。また、必ず純正部品を使用してください。これにより本体の安全性が確実に維持されます。
- ▶ 未使用時（作業の合間）、手入れや保守の前、アクセサリまたはフィルター交換を行う前には、常に電源コードをコンセントから抜いておいてください。この安全措置により、本体の不意の始動を防止することができます。
- ▶ 集じん機を他の作業場所に移す場合、決して電源コードを引っ張らないでください。移動の際に集じん機が電源コードを踏みつけないようにしてください。
- ▶ 本体をクレーンで搬送しないでください。

UM および UME 集じん機に関する追加事項

- ▶ 本体の搬送時および本体を使用していないときには、ホースソケットをホースソケットキャップで封止してください。



2.4 電気に関する安全注意事項

- ▶ 本体の接続プラグはコンセントに適合するものでなければなりません。プラグは絶対に変更しないでください。アースした本体と一緒にアダプタープラグを使用しないでください。オリジナルのプラグと適切なコンセントを使用することにより、感電の危険を小さくすることができます。
- ▶ 安全に設置され、その場のあらゆる状況に合った、アースされた適切なコンセントにプラグを差し込んでください。コンセントが確実にアースされているか疑わしい場合は、資格を有する修理スペシャリストに点検を依頼してください。
- ▶ バイブ、ラジエーター、電子レンジ、冷蔵庫などのアースされた面に体の一部が触れないようにしてください。体が触れると感電の危険が大きくなります。
- ▶ 本体を雨や湿気から保護してください。電動工具に水が浸入すると、感電の危険が大きくなります。
- ▶ 電源コードが濡れた床面上にないことを確認してください。
- ▶ 本体の電源コードを定期的に点検し、コードに損傷がある場合はHilti サービスセンターに交換を依頼してください。延長コードを定期的に点検し、損傷がある場合は交換してください。
- ▶ 作業中に電源コードおよび/または延長コードを損傷した場合は、これらに触れないでください。電源プラグをコンセントから抜きます。損傷した電源コードや延長コードは感電の原因となり危険です。
- ▶ 電源コードは取扱説明書において指定されているタイプ以外のものと交換しないでください。
- ▶ 本体を持ち運んだり、吊り下げたり、コンセントからプラグを抜いたりするときは、必ず本体を持ち、コードを持ちたり引っ張ったりしないでください。コードを火気、オイル、鋭利な刃物、本体の可動部等に触れる場所に置かないでください。コードが損傷したり絡まったりしていると、感電の危険が大きくなります。
- ▶ 屋外工事で電気工具を使用する場合には、必ず屋外用の延長コードを使用してください。屋外用の延長コードを使用すると、感電の危険が小さくなります。
- ▶ 停電の際には本体のスイッチを切り、電源プラグを抜いてください。
- ▶ 本体コンセントは取扱説明書で指定されている目的にのみ使用してください。
- ▶ 本体は、決して汚れたあるいは濡れた状態で使用しないでください。本体表面に埃（特に導電性の物質）が付着していたり、あるいは濡れていると、好ましくない条件下においては感電の原因となることがあります。したがって特に導電性のある物質に対する作業を頻繁に行う場合は、定期的にHilti サービスセンターに本体の点検を依頼してください。

2.5 作業場の安全確保

- ▶ 作業場の採光に十分配慮してください。
- ▶ 作業場の換気に十分配慮してください。作業場の換気が十分でない、粉じんによる汚染で健康を損なう恐れがあります。
- ▶ 作業場の整理整頓に心がけてください。事故の原因となり得る危険物は作業区域から取り除いておいてください。作業場の整理整頓されていないと、事故を引き起こすことがあります。
- ▶ 爆発の危険性のある環境（可燃性液体、ガスおよび粉じんのある場所）では本体を使用しないでください。電動工具から火花が飛散し、粉じんや揮発性ガスに引火する恐れがあります。
- ▶ 段階で作業する際には、特に注意してください。

2.6 吸引物

- ▶ 健康を損なう危険のある、可燃性 / 爆発性の粉じんを吸引することは許可されません（マグネシウムとアルミニウムの粉じんなど）。60°C (140°F) を超過する高温の物質を吸引してはなりません（燃っている煙草の吸殻、高温の灰など）。
- ▶ 可燃性、爆発性、刺激性のある液体を吸引することは許可されません（冷却剤、潤滑剤、ガソリン、溶剤、電解液（pH<5）、苛性アルカリ溶液（pH>12.5）など）。
- ▶ 泡または液体が流出した場合はただちに本体のスイッチをオフにしてください。
- ▶ 高温の物質（ただし 60°C (140°F) 以下）を吸引する場合は、保護手袋を着用してください。
- ▶ 鉤物ノロを取り扱う際には保護服を着用し、ノロに皮膚が触れないようにしてください（pH > 9 の刺激性）。
- ▶ アルカリ性または酸性の液体に触れないように注意してください。もしも触れてしまった場合は、水で洗い流してください。液体が眼に入った場合は、多量の水で洗い流してから医師の診察を受けてください。

UL 集じん機に関する追加事項

- ▶ 粉じんクラスL用の本体は、乾燥した、不燃性の粉じん、木屑、および曝露限界値 > 1 mg/m³ の危険粉じんの吸引に適しています。本体には吸引する粉じんの危険度に応じて適切なフィルターを装着する必要があります。

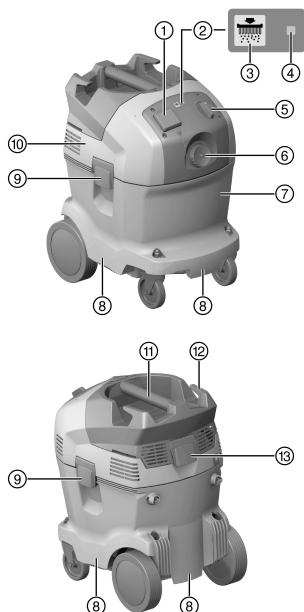


UM および UME 集じん機に関する追加事項

- ▶ 粉じんクラス M 用の本体は、乾燥した、不燃性の粉じん、木屑、および曝露限界値 $\geq 0.1 \text{ mg/m}^3$ の危険粉じんの吸引に適しています。本体には吸引する粉じんの危険度に応じて適切なフィルターを装着する必要があります。

3 製品の説明

3.1 製品概要



- ① 本体コンセント
- ② オートフィルタークリーニング
- ③ 「フィルタークリーニング ON/OFF」ボタン (UL および UME のみ)
- ④ 「オートフィルタークリーニング」ステータス表示
- ⑤ 本体スイッチ
- ⑥ ホースソケット
- ⑦ ダストコンテナ
- ⑧ リセスグリップ
- ⑨ ロッククリップ
- ⑩ サクションヘッド
- ⑪ グリップ
- ⑫ 電源コードフック
- ⑬ フィルターカバー用ロッククリップ

3.2 正しい使用

本書で説明している製品は、業務での使用を想定した汎用の産業用集じん機です。乾湿両用の集じん機としてご使用いただけます。

本製品の吸引口を人および動物に向けてはなりません。本体を水中で使用することは許可されません。

警告

健康を損なう危険！ U 集じん機は、健康を損なう危険のある粉じんの吸引には適していません。

- ▶ これらのモデルの集じん機を使用して健康を損なう危険のある粉じんを吸引しないでください。
- ▶ 本製品を使用する作業の前に、取扱い、吸引する物質から生じる危険およびその安全な廃棄について確認してください。
- ▶ 本製品を全自動または半自動装置の固定連続動作モードで使用しないでください。
- ▶ 怪我の可能性を防ぐため、必ずHilti 純正のアクセサリや工具のみを使用してください。
- ▶ 静電気帯電を防止するため、静电防止サクションホースを使用してください。
- ▶ ダストバックを貫通して怪我の原因となり得る物体を吸引しないでください (先端が尖った吸引物や角の鋭い吸引物など)。
- ▶ 本製品を踏み台の代わりとして使用しないでください。

本製品は以下の業務用途に適しています：

- Hilti のダイヤモンドグラインダー、アングルグラインダー、ロータリーハンマードリルおよび乾式コアビットを使用しての作業で発生する多量の粉じんの吸引。



- Hilti のダイヤモンドコアビットあるいはHilti のダイヤモンドソーを使用しての作業で発生する鉱物ノロ、および温度が 60°C (140°F) 未満の液体の吸引。
- オイルおよび温度が 60°C (140°F) 未満の液体媒体の吸引。
- 壁面および床面の湿式 / 乾式清掃

UL 集じん機に関する追加事項

乾燥した、不燃性の粉じん、液体、木屑、および曝露限界値 > 1 mg/m³ の危険粉じん (粉じんクラス L) の吸引。

UM および UME 集じん機に関する追加事項

乾燥した、不燃性の粉じん、液体、木屑、および曝露限界値 \geq 0.1mg/m³ の危険粉じん (粉じんクラス M) の吸引。

UL、UM および UME 集じん機に関する追加事項

排気が作業場内に放出される場合は、作業場内の空気交換率 L が充分なものである必要があります。各国の規定に従ってください。

3.3 考えられる誤った使用

- 産業用集じん機を横にした状態で作動させないでください。
- 産業用集じん機を、爆発危険のある物質、赤熱している、燃焼している、あるいはあるいは可燃性の物質や爆発力の大きい粉じん (マグネシウムとアルミニウムの粉じんなど) の吸引に使用してはなりません (木屑を除く)。
- 産業用集じん機を、可燃性の液体 (ガソリン、溶剤、酸、冷却剤および潤滑剤など) の吸引に使用してはなりません。
- 健康を損なう危険のある物質 (アスベストなど) に使用してはなりません。

3.4 本体標準セット構成

乾湿兼用バキュームクリーナー (フィルターエレメントを含む)、集じん機側回転スリーブおよび工具側スリーブを含むサクシオンホース一式、PE VC 20/40 プラスチックダストバッグ、取扱説明書。

3.5 警告シグナル音

UM および UME 集じん機には警告シグナル音機能が装備されています。サクシオンホース内の空気速度が 20 m/s を下回ると、安全上の理由からこの警告音が鳴ります。

警告音を正しく作動させるために、ホース径設定で使用するサクシオンホースの直径を設定する必要があります。

3.6 オートフィルタークリーニング

集じん機はオートフィルタークリーニング機能を備えており、フィルターエレメントに付着した粉じんの多くを取り除きます。

フィルタークリーニングは、「オートフィルタークリーニング ON/OFF」ボタンを押すとオフ、もう一度押すとオンになります。

状態	意味
LED が点灯。	• フィルタークリーニングが作動。
LED が点灯しない。	• フィルタークリーニングが非作動。

集じん機をスタートさせると、フィルタークリーニングはその都度自動的に作動します。

フィルターエレメントに空気が吹き付けられて (脈動音がする)、自動的に清掃が行われます。

i システムアプリケーション (特に、研磨、切断および切込み) の場合、あるいは大量の粉じんを吸引する場合には、高い吸引能力を持続させるためにフィルタークリーニング機能を作動させる必要があります。フィルタークリーニングは、サクシオンホースが接続されている場合にのみ作動します。

3.7 取り扱うための注意事項

アクセサリとそのご使用方法

アクセサリ	ご使用方法
PE VC 20 プラスチックダストバッグ (203854)	鉱物粉じん用、乾湿兼用
PE VC 40 プラスチックダストバッグ (203852)	鉱物粉じん用、乾湿兼用
VC 20 紙ダストバッグ (203858)	木屑用



アクセサリ	ご使用方法
VC 40 紙ダストバッグ (203856)	木屑用
VC 20/40 乾式フィルター (2121386)	乾式
VC 20/40 汎用フィルター (2121387)	汎用、乾湿兼用
VC 20/40 高性能フィルター (2121388)	使用頻度の高い場合、乾湿兼用
サクシオンホース 27 x 3.5 m AS	乾湿兼用
サクシオンホース 36 mm	主に湿式、粉じんには使用しないでください
サクシオンホース 36 x 5 m AS	乾湿兼用

- ▶ UM および UME 集じん機には、必ずプラスチックダストバッグあるいは紙ダストバッグを使用してください。

4 製品仕様

4.1 乾湿兼用バキュームクリーナー

	VC 20	VC 40
本体寸法 (長さ x 幅 x 高さ、単位 : mm)	505 x 380 x 500	505 x 380 x 610
重量 (EPTA プロシージャ 01 に準拠)	13.0 kg	14.7 kg
コンテナ容量	21 ℓ	36 ℓ
有効集じん容量	23 kg	40 kg
水充填量	13.5 ℓ	25 ℓ
作動温度	-10 °C ... 40 °C	-10 °C ... 40 °C
オートフィルタークリーニングの間隔	15 s	15 s
絶縁クラス	I	I
耐候性	IP X4	IP X4
周波数	50 Hz ... 60 Hz	50 Hz ... 60 Hz

4.2 定格電圧

i 発電機または変圧器を使用しての作業の場合は、それらは本体の銘板に記載されている定格電力より 2 倍以上大きな出力がなければなりません。変圧器または発電機の作動電圧は、常に本体の定格電圧の +5 %...-15 % の範囲になければなりません。

*/•	100 電圧 [V]	110 電圧 [V]	110 電圧 [V]	200 電圧 [V]
定格電力	1200 電力 [W]	1100 電力 [W]	1100 電力 [W]	950 電力 [W]
電動工具用の本体内蔵コンセントの接続コード (取り付けられている場合)	*/•	1600 電力 [W]	*/•	*/•
電源 (タイプ)	VCTF 3 x 2.0 mm ²	A07 QQF 3 / 12 AWG	H07 BQF 3G 1.5 mm ²	VCTF 3 x 2.0 mm ²
*/•	220...240 電圧 [V]	220...240 (CH) 電圧 [V]	220...240 (GB) 電圧 [V]	220...240 (NZ) 電圧 [V]
定格電力	1200 電力 [W]	1200 電力 [W]	1200 電力 [W]	1200 電力 [W]
電動工具用の本体内蔵コンセントの接続コード (取り付けられている場合)	2400 電力 [W]	1100 電力 [W]	1800 電力 [W]	1200 電力 [W]
電源 (タイプ)	H07 RNF 3G 1.5 mm ²	H07 RNF 3G 1.5 mm ²	H07 RNF 3G 1.5 mm ²	H07 RNF 3G 1.5 mm ²



4.3 最大体積流量および最大真空度

		VC 20-U	VC 20-UL	VC 20-UM	VC 20-UME
最大体積流量 (空気)	950 W	68 ℓ/s	*/°	*/°	*/°
	1100 W	68 ℓ/s	*/°	*/°	*/°
	1200 W	74 ℓ/s	*/°	*/°	*/°
最大体積流量 (空気)	1100 W	*/°	138 m³/h	138 m³/h	138 m³/h
	1200 W	*/°	150 m³/h	150 m³/h	150 m³/h
最大真空度	950 W	235 hPa	*/°	*/°	*/°
	1100 W	230 hPa	209 hPa	209 hPa	209 hPa
	1200 W	253 hPa	253 hPa	253 hPa	253 hPa

		VC 40-U	VC 40-UL	VC 40-UM	VC 40-UME
最大体積流量 (空気)	950 W	68 ℓ/s	*/°	*/°	*/°
	1100 W	68 ℓ/s	*/°	*/°	*/°
	1200 W	74 ℓ/s	*/°	*/°	*/°
最大体積流量 (空気)	1100 W	*/°	138 m³/h	138 m³/h	138 m³/h
	1200 W	*/°	150 m³/h	150 m³/h	150 m³/h
最大真空度	950 W	235 hPa	*/°	*/°	*/°
	1100 W	230 hPa	209 hPa	209 hPa	209 hPa
	1200 W	253 hPa	253 hPa	253 hPa	253 hPa

4.4 騒音 / 振動について (EN 60335 に準拠)

以下の値は、VC 20 およびVC 40 産業用集じん機のすべてに該当するものです。

排出サウンドプレッシャーレベル (L_{pA})	73 dB(A)
サウンドプレッシャーレベルの不確か性 (K_{pA})	2.5 dB(A)
排出振動値	< 2.5 m/s ²

5 延長コードを使用する場合

警告

損傷したコードによる危険！ 作業中に電源コードまたは延長コードを損傷した場合は、コードに触れないでください。不意に始動しないように電源プラグをコンセントから抜きます。

▶ 本体の電源コードを定期的に点検し、コードに損傷がある場合は認定を受けた修理スペシャリストに交換させてください。

- 使用目的に応じて、十分な導体断面積をもつ適切な延長コードのみを使用してください。そうしないと、本体の出力低下やコードの過熱が発生することがあります。
- 延長コードに損傷がないか定期的に点検してください。
- 損傷した延長コードは交換してください。
- 屋外工事の場合には、認可マーク付きの専用延長コードのみを使用してください。

電源電圧 120 V における推奨最低導体断面積および最大コード長

電源コード	AWG 16	AWG 14	AWG 12	AWG 10
導体断面積	1,31 mm ²	2,08 mm ²	3,31 mm ²	5,26 mm ²
導体断面積	2,58 kcmil	4,11 kcmil	6,53 kcmil	10,4 kcmil
コード長	25 m	30 m	50 m	100 m
コード長	75 ft	100 ft	150 ft	250 ft



6 ご使用前に

危険

電流による危険。集じん機の接続が正しくないと、死亡あるいは重傷事故の原因となることがあります。

- ▶ 集じん機は必ず適切にアースされた電源に接続してください。

注意

予期せぬ動きによる負傷の危険！ キャスターブレーキがかかっていないと、集じん機が意図せず動き出す危険があります。

- ▶ キャスターブレーキを操作して、集じん機を安定した状態に保ってください。

6.1 ご使用前に



プラスチックダストバッグ：危険性の低い粉じんの吸引用
 鉱物粉じん用プラスチックダストバッグあるいは木屑用紙ダストバッグ：
 > Mクラス、暴露限度値が 0.1 mg/m^3 以上の粉じんの吸引用
 > LまたはMクラス、暴露限度値が 1 mg/m^3 を超過する粉じんの吸引用

1. 2個のロッククリップを開きます。
2. ダストコンテナからサクションヘッドを持ち上げて外します。
3. ダストコンテナおよびパッケージからアクセサリを取り出します。
4. サクションヘッドをダストコンテナに取り付け、2個のロッククリップを閉じます。
5. サクションヘッドが正しく取り付けられロックされていることを確認します。
6. サクションホースを本体に接続します。

6.2 木屑吸引用の紙ダストバッグを装着する



先のとがった物体はサクションバッグを貫通してしまうことがあります。
 そのような物体によりサクションバッグに穴があいていないことを確認してください。

1. 電源プラグをコンセントから抜きます。
2. 2個のロッククリップを開きます。
3. ダストコンテナからサクションヘッドを持ち上げて外します。
4. 新品の紙ダストバッグをアダプターに取り付け、アダプターをダストコンテナに取り付けます。
5. サクションヘッドをダストコンテナに取り付けます。
6. 2個のロッククリップを閉じます。
7. サクションヘッドが正しく取り付けられロックされていることを確認します。
8. サクションホースを本体に接続します。

6.3 プラスチックダストバッグを装着する

1. 電源プラグをコンセントから抜きます。
2. 2個のロッククリップを開きます。
3. ダストコンテナからサクションヘッドを持ち上げて外します。
4. 新品のプラスチックダストバッグを（取扱説明書の手順に従って）ダストコンテナに取り付けます。
5. サクションヘッドをダストコンテナに取り付け、2個のロッククリップを閉じます。

7 ご使用方法

警告

負傷の危険。ろ過システムの損傷により健康を損なう恐れのある粉じんが排出される危険があります。

- ▶ 非常時（フィルターの破損など）には集じん機をオフにして電源プラグをコンセントから抜き、再使用の前に専門技術者に集じん機の点検を依頼してください。



危険

負傷の危険。 Lクラス集じん機およびMクラス集じん機は、本体に健康を損なう恐れのある粉じんが取り込まれます。

- ▶ ダストコンテナを空にする作業、保守作業、廃棄作業は、必ず専門の担当者が行うようにしてください。適切な保護用具を着用してください。
- ▶ 危険物質が溜まっている領域から集じん機を遠ざける前に、集じん機の外側を吸引してきれいに拭き取るか、集じん機を密閉梱包します。危険領域から持ち出してきたすべての機械部品は汚れているとみなす必要があるため、粉じん飛散を防止するために適切な処置を講じる必要があります。
- ▶ ろ過システムが完全ではない状態では、決して集じん機を動作させないでください。

注意

予期せぬ動きによる負傷の危険！ キャスターブレーキがかかっていると、集じん機が意図せず動き出す危険があります。

- ▶ キャスターブレーキを操作して、集じん機を安定した状態に保ってください。

7.1 UM および UME 集じん機におけるホース径の設定

1. 乾燥した不可燃性の粉じん（暴露限度値あり）および木屑を吸引するには、サクシオンホース径をホース径設定スイッチの位置に合わせます。
2. 集じん機を Hilti のホロードリルビットシステムとともに使用する際は、最小ホース径に切り替えてください。

7.2 本体コンセントを使用しない運転

1. 電源プラグを差し込む前に、本体スイッチが「OFF」位置になっていることを確認してください。
2. 集じん機の電源コードをコンセントに差し込みます。
3. 本体スイッチを「ON」位置に回します。

7.3 本体コンセントを使用した運転

本体コンセントは、電動工具を直接集じん機に接続するためにのみ使用してください。本体コンセントに接続した電動工具の使用に際しては、電動工具の取扱説明書およびそこに記載されている安全上の注意を守ってください。

1. 集じん機の電源プラグをコンセントから抜きます。
2. 接続する電動工具の最大消費電力が本体コンセントの許容最大電力（「製品仕様」の章および本体コンセントのラベルに記載）を超えないことを確認してください。
3. 電動工具の電源プラグを差し込む前に、電動工具のスイッチがオフになっていることを確認してください。
4. 電動工具の電源プラグを本体コンセントに差し込みます。
5. 集じん機の電源コードをコンセントに差し込みます。
6. 本体スイッチを「Auto」位置に回します。
7. 電動工具のスイッチをオンにします。

電動工具のスイッチをオフにした後も、サクシオンホース内に残っている粉じんを吸引するために集じん機はまだしばらくの間動作を続けます。

7.4 乾燥した粉じんを吸引する

乾燥した粉じん、特に鉋物粉じんを吸引する前には、常に適切なダストバッグがコンテナに取り付けられていることを確認します。吸引した物質は手を汚さずに簡単に廃棄することができます。

注意

負傷の危険。 フィルターエレメントを使用しないと危険な吸引物が排出される危険があります。

- ▶ 必ずフィルターエレメントを取り付けて吸引してください。
- ▶ フィルターエレメントは乾いていて、適切なダストバッグが装着されていることを確認してください。



7.5 液体を吸引する

注意

負傷の危険。フィルターエレメントを使用しないと危険な吸引物が排出される危険があります。

▶ 必ずフィルターエレメントを取り付けて吸引してください。

1. ダストレベルモニターを点検します。→ 頁 100
2. できるだけ湿式用の専用フィルターエレメントを使用してください。



Hilti VC 20/40 universal フィルター (2121387) を推奨します。

3. 液体の吸引後に 2 個のロッククリップを開きます。
4. ダストコンテナからサククションヘッドを持ち上げて外し、フィルターエレメントを乾燥させることができるようにサククションヘッドを平らな床面に置きます。
5. ダストコンテナを空にしてウォーターホースでダストコンテナを清掃します。電極をブラシで清掃し、予め乾燥させたフィルターエレメントを手で外して清掃します。
6. ダストコンテナを乾燥させます。

7.6 吸引後

1. 電動工具のスイッチをオフにします。
2. 本体スイッチを「OFF」位置に回します。
3. 集じん機の電源プラグをコンセントから抜きます。
4. 電源コードを巻き取り、コードフックに掛けます。
5. コンテナを空にし、本体を湿らせた布で拭いて清掃します。
6. ホースを巻き取ります。
7. 権限のない人による不正使用を防止して、集じん機を乾燥した場所にしまえます。

7.7 ダストコンテナを空にする (乾燥した粉じんの場合)

1. 電源プラグをコンセントから抜きます。
2. ダストコンテナからサククションヘッドを持ち上げて外し、平らな床面に置きます。
 - ↳ **UM および UME 集じん機**
 - ▶ ダストコンテナからダストバッグを取り出します。
 - ↳ **U および UL 集じん機**
 - ▶ ダストコンテナからダストバッグを取り出すか、あるいはリセスグリッブを掴んでダストコンテナを傾けて空にします。
3. 続いてサククションヘッドをダストコンテナに取り付け、2 個のロッククリップを閉じます。

7.8 ダストバッグなしのダストコンテナを空にする (液体の場合)

1. 電源プラグをコンセントから抜きます。
2. ダストコンテナからサククションヘッドを持ち上げて外し、平らな床面に置きます。
3. リセスグリッブを掴んでダストコンテナを傾けて空にします。
4. ダストコンテナの周縁部を布で清掃します。
5. サククションヘッドをダストコンテナに取り付け、2 個のロッククリップを閉じます。

8 手入れと保守

8.1 本体の手入れ

警告

電流による危険。電気部品の誤った修理は重傷事故の原因となることがあります。

▶ 電気部品の修理は、必ず専門の知識を有する電気技術者に依頼してください。

- ▶ 本体、特にグリッブ表面を乾燥させ、清潔に保ち、オイルやグリッサが付着しないようにしてください。洗剤、磨き粉等のシリコンを含んだ清掃用具は使用しないでください。
- ▶ 通気溝が覆われた状態で集じん機を使用しないでください。通気溝を乾いたブラシを使用して慎重に掃除してください。本体内部に異物が入らないようにしてください。




- ▶ 定期的に、少し湿した布で本体表面を拭いてください。電気上の安全面に悪影響が出る可能性があるため、スプレーやスチームあるいは流水などによる清掃は避けてください。

UL、UM および UME 集じん機

手入れや保守および清掃の際には、作業者や他の人々に危険が生じないように本体を取り扱う必要があります。

- ▶ フィルター付きの強制換気装置を使用してください。
- ▶ 保護服を着用してください。
- ▶ 危険物質が周囲に飛び散らないように作業領域を清掃してください。
- ▶ 危険物質が溜まっている領域から本体を遠ざける前に、本体の外側を吸引してきれいに拭き取るか、本体を密閉梱包します。この場合、堆積した危険な粉じんを撒き散らさないように注意してください。
- ▶ 手入れや保守および修理作業の場合、十分に清掃できずに汚れが残った部品はすべて密閉バッグに詰め込み、有効な廃棄規定に従って廃棄しなければなりません。
- ▶ 少なくとも年に1回、Hilti サービスセンターまたは資格を有する技術者に専門的な点検（フィルターの損傷、本体の機密性、警告装置の機能などの点検）を依頼してください。

8.2 オートフィルタークリーニング

 清掃の際にはフィルターエレメントを固い物体にぶついたり、固い物体や先の尖った物体を使って取り扱わないでください。フィルターエレメントの寿命が短くなります。フィルターエレメントを圧縮空気クリーナーで清掃しないでください。フィルター素材に亀裂が生じることがあります。

フィルターエレメントは消耗部品です。

- ▶ フィルターエレメントは少なくとも半年ごとに交換してください。
- ▶ 使用頻度が高い場合には、フィルターエレメントの交換間隔をさらに短くしてください。

8.3 フィルターエレメントを交換する

1. 電源プラグをコンセントから抜きます。
2. フィルターカバー用ロッククリップを開きます。
3. フィルターカバーを開きます。
4. ブラケットのリセスグリップからフィルターエレメントを慎重に取り出します。
5. 布でシール面を清掃します。
6. 新品のフィルターエレメントを取り付けます。
7. カバーロックを前方に倒してフィルターカバーを閉じます。
8. フィルターカバー用ロッククリップを閉じます。

8.4 ダストレベルモニターを点検する

1. キャスターブレーキを操作して、集じん機を安定した状態に保ってください。
2. 電源プラグをコンセントから抜きます。
3. 2個のロッククリップを開きます。
4. ダストコンテナからサククションヘッドを持ち上げて外し、平らな床面に置きます。
5. スイッチオフコンタクトが汚れていないか点検し、必要に応じてブラシで清掃します。
6. サククションヘッドのシールが汚れていないか点検し、必要に応じて布で清掃します。
7. サククションヘッドをダストコンテナに取り付け、2個のロッククリップを閉じます。

8.5 手入れと保守を行った後の点検

1. 手入れ、保守の作業を済ませた後は、集じん機が正しく組み立てられ、正常に作動することを点検してください。
2. 機能テストを行ってください。

9 搬送および保管

9.1 搬送

ダストコンテナが満杯の状態では本体を持ち運ばないでください。

本体をクレーンで吊り上げないでください。

- ▶ 必要に応じて、電力調整器と取り外し可能なアクセサリをブラケットから取り外してください。



- ▶ 他の場所に持ち運ぶ前に本体を空にしてください。
- ▶ 液体を吸引した場合には、本体を傾けたり、あるいは本体を横にした状態で搬送しないでください。
- ▶ 本体を持ち運ぶ際には、テーパーアダプターを使用してホース両端を連結することができます。

UM および UME 集じん機



危険

負傷の危険。 ホースソケットから危険な吸引物が排出される危険があります。

- ▶ M クラス集じん機の搬送時および未使用時には、ホースソケットをホースソケットキャップで封止してください。

9.2 保管上の注意事項

- ▶ 権限のない人による不正使用を防止して、集じん機を乾燥した場所にしまします。

10 故障時のヒント

この表に記載されていない、あるいはご自身で解消することのできない故障が発生した場合には、弊社営業担当またはHilti サービスセンターにご連絡ください。

10.1 不具合リスト

故障	考えられる原因	解決策
UM および UME 集じん機 警告信号音 (吸引能力低下)	ダストバッグが満杯。	▶ ダストバッグを交換します。
	フィルターエレメントの汚れが激しい。	▶ オートフィルタークリーニングが非作動にされている場合は作動させ、集じん機を 30 秒間作動させてください。
	電動工具のサクシヨンホースまたはダストカパーが詰まっている。	▶ サクシヨンホースとダストカパーを清掃してください。
	ホース径設定の位置が正しくない。	▶ ホース径を設定してください。 ▶ ホロードリルビットを使用する際は、ホース径が 15 mm のものをお選びください。
粉じんが本体から吹き出る。	フィルターエレメントが正しく取り付けられていない。	▶ フィルターエレメント取り付け直してください。
	フィルターエレメントが損傷している。	▶ 新しいフィルターエレメントを取り付けてください。
本体が不意にオンおよびオフになる、または静電気が発生して作業者に流れる。	静電気の除去が保証されていない。本体がアース付きコンセントに接続されていない。	▶ 本体をアース付きコンセントに接続し、静電防止ホースを使用してください。
本体が始動しない、または短時間作動した後にオフになる。	ウォーターレベルカットアウト機能が作動した。	▶ センサーとセンサー周辺をブラシで清掃します。
モーターが作動しない。	電源コンセントのヒューズが作動した。	▶ ヒューズをオンにします。 ▶ ヒューズが再度作動する場合は過電流の原因を解消してください。
	ダストコンテナが満杯。	▶ 本体をスイッチオフにしてダストコンテナを空にしてください。
	モーター温度ヒューズが作動した。	▶ 本体をスイッチオフにし、約 5 分間冷却させてください。 ▶ モーターが作動しない場合、弊社営業担当またはHilti 代理店・販売店に修理を依頼してください。
	モーター温度ヒューズがモーターを再びオフにした。	▶ 通気溝を乾いたブラシを使用して注意深く掃除してください。



故障	考えられる原因	解決策
オートマチックモードでモーターが作動しない。	接続した工具の故障または正しく差し込まれていない。	▶ 接続した工具が正しく作動するか点検するか、あるいは電源プラグを確実に差し込んでください。
オートフィルターエレメントクリーニングが作動しない。	サクシオンホースが接続されていない。	▶ サクシオンホースを接続してください。

11 廃棄

Hilti 製品の大部分の部品はリサイクル可能です。リサイクル前にそれぞれの部品は分別して回収されなければなりません。多くの国で**Hilti** は、古い電動工具をリサイクルのために回収しています。詳細については弊社営業担当または**Hilti** 代理店・販売店にお尋ねください。

古い電気および電子工具の廃棄に関するヨーロッパ基準と各国の法律に基づき、使用済みの電気工具は一般ゴミとは別にして、環境保護のためリサイクル規制部品として廃棄してください。



- ▶ 電動工具を一般ゴミとして廃棄してはなりません。

ノロ

環境面について言えば、ノロを適切な前処理なしに、そのまま河川、湖水、下水施設などに流すのは問題となります。

- ▶ 地域で適用されている法規について当局に問い合わせてください。

前処理として以下を提案いたします。

- ▶ ノロを回収してください（例：産業用湿式バキュームクリーナーを使用）。
- ▶ ノロを固まらせた後に固形物として建設廃棄物処理場に運んで処理してください（綿毛を加えると固形化が早まる）。
- ▶ ノロから流れ出る水（アルカリ性、 $\text{pH} > 7$ ）に酸性中和剤を加えるか、あるいは多量の水を加えて中性化させてから、下水に流してください。

穿孔粉じん

- ▶ 回収した穿孔粉じんは各国の法規に従って廃棄してください。

12 メーカー保証

- ▶ 保証条件に関するご質問は、最寄りの**Hilti** 代理店・販売店までお問い合わせください。



1 문서 관련 기재사항

1.1 본 문서에 대해

- 처음 사용하기 전에 본 문서 전체를 읽으십시오. 안전하게 작업하고 문제 없이 취급하기 위한 전제가 됩니다.
- 본 문서 및 제품에 나와 있는 안전 지침 및 경고 지침에 유의하십시오.
- 항상 제품에 있는 사용 설명서를 잘 보관하고 제품은 반드시 본 지침과 함께 다른 사람에게 전달하십시오.

1.2 기호 설명

1.2.1 경고사항

본 제품을 다루면서 발생할 수 있는 위험에 대한 경고사항. 다음과 같은 시그널 워드가 사용됩니다.



위험

위험!

- ▶ 이 기호는 직접적인 위험을 표시합니다. 만약 지키지 않으면 심각한 부상을 당하거나 사망할 수도 있습니다.



경고

경고!

- ▶ 이 기호는 잠재적인 위험을 표시합니다. 만약 지키지 않으면 심각한 부상을 당하거나 사망할 수도 있습니다.



주의

주의!

- ▶ 이 기호는 특별히 중요한 안전상의 주의사항을 표시합니다. 만약 지키지 않으면, 심각한 부상 또는 물적 손실을 입을 수 있습니다.

1.2.2 문서에 사용된 기호

본 문서에 다음과 같은 기호가 사용됩니다.

	사용하기 전에 사용설명서를 읽으십시오.
	적용 지침 및 기타 유용한 사용정보
	재사용이 가능한 자재 취급방법
	전기 기기 및 배터리를 일반 가정의 쓰레기처럼 폐기해서는 안 됨

1.2.3 그림에 사용된 기호

그림에 다음과 같은 기호가 사용됩니다.

	이 숫자는 본 설명서의 첫 부분에 있는 해당 그림을 나타냅니다.
	매겨진 숫자는 작업 단계의 순서를 나타내며, 텍스트에 매겨진 작업 단계와 차이가 있을 수 있습니다.
	항목 번호는 개요 그림에서 사용되며, 제품 개요 단락에 나와 있는 기호 설명 번호를 나타냅니다.
	이 표시는 제품을 다룰 때, 특별히 주의할 사항을 나타냅니다.
	무선 데이터 전송

1.2.4 추가 기호

다음과 같은 기호가 제품에 사용됨





크레인으로 운반하지 마십시오

1.3 제품 관련 기호

1.3.1 제품에 사용된 기호

다음과 같은 기호가 제품에 사용됨



뜨거운 표면에 대한 경고



크레인으로 운반하지 마십시오

1.4 제품 특별 스티커

UL 청소기의 경우



경고: 이 기기에는 건강에 해로운 먼지가 포함되어 있습니다. 먼지 주머니 제거를 포함하여 정비 및 비우기 작업은 적합한 개인 보호장비를 착용한 전문 기술자만 수행할 수 있습니다. 필터 시스템이 완전하게 설치되기 전까지는 전원을 켜지 마십시오.

UM 및 UME 청소기의 경우



경고: 이 기기에는 건강에 해로운 먼지가 포함되어 있습니다. 먼지 주머니 제거를 포함하여 정비 및 비우기 작업은 적합한 개인 보호장비를 착용한 전문 기술자만 수행할 수 있습니다. 완벽한 필터 시스템이 설치되고 흡인 성능 컨트롤의 기능을 점검하기 전에 스위치ON하지 마십시오.

1.5 제품 정보

Hilti 제품은 전문가용으로 설계되어 있으며, 해당 교육을 이수한 공인된 작업자를 통해서만 조작, 유지 보수 및 수리 작업을 진행할 수 있습니다. 이 기술자는 발생할 수 있는 위험에 대해 특별 교육을 받은 상태여야 합니다. 교육을 받지 않은 사람이 제품을 부적절하게 취급하거나 규정에 맞지 않게 사용할 경우에는 기기와 그 보조기구에 의해 부상을 당할 위험이 있습니다.

형식 명칭 및 일련 번호는 형식 라벨에 제시되어 있습니다.

- ▶ 일련 번호를 다음의 표에 옮기십시오. 대리점 또는 서비스 센터에 문의할 경우 제품 제원이 필요합니다.

제품 제원

습식/건식 진공 청소기	VC 20-U VC 20-UL VC 20-UM VC 20-UME VC 40-U VC 40-UL VC 40-UM VC 40-UME
세대	02
일련 번호	

1.6 적합성 선언

폐사는 전적으로 책임을 지고 여기에 기술된 제품이 통용되는 기준과 규격에 일치함을 공표합니다. 적합성 증명서 사본은 본 문서 끝 부분에서 확인할 수 있습니다.

기술 문서는 이곳에 기술되어 있습니다.

Hilti Entwicklungsgesellschaft mbH | Zulassung Geräte | Hiltistraße 6 | 86916 Kaufering, DE



2 안전

2.1 일반 안전수칙

본 사용 설명서 각 장에 수록된 안전 지침 외에도 다음과 같은 사항들을 항상 엄격하게 준수해야 합니다.

- ▶ 모든 지침사항들을 읽으십시오! 다음과 같은 지침들을 준수하지 않으면, 전기 충격, 화재 그리고/또는 심각한 부상을 입을 수 있습니다.
- ▶ 기기를 전동 공구와 함께 사용할 경우 사용하기 전에 전동 공구의 사용 설명서를 읽고 모든 지침 내용에 유의하십시오.
- ▶ 공구를 변조하거나 개조해서는 절대로 안됩니다.
- ▶ 작업에 적합한 기기를 사용하십시오. 기기를 지정되지 않은 목적으로 사용해서는 안 됩니다. 규정에 따라 서만 그리고 완벽한 상태에서만 사용하십시오.
- ▶ 작업하기 전에 기기 취급방법, 작업물에서 발생할 수 있는 위험 및 흡인 물질의 안전한 폐기방법에 대해 알려주어야 합니다.
- ▶ 주위 환경을 고려하십시오. 화재 혹은 폭발의 위험이 있는 곳에서는 기기를 사용하지 마십시오.
- ▶ 본 기기는 해당 기기를 잘 다룰 줄 알고 안전한 사용 방법에 대한 교육을 받아 그로부터 발생할 수 있는 위험에 대해 알고 있는 사람만 사용할 수 있습니다. 본 기기는 어린이가 다루기에 적합하지 않습니다.
- ▶ 사용하지 않는 기기는 안전하게 보관하십시오. 기기를 사용하지 않을 때에는, 어린이의 손이 닿지 않는 높은 곳이나 폐쇄된 건조한 장소에 따로 보관해야 합니다.

2.2 사용자 안전수칙

- ▶ 신중하게 작업하십시오. 작업에 정신을 집중하고 제품을 사용할 때 경솔하게 행동하지 마십시오. 피곤하거나 항정신성 약물, 술 또는 약물을 복용한 경우에는 진공 청소기를 사용하지 마십시오. 기기 사용 시 이에 유의하지 않을 경우 심각한 부상을 초래할 수 있습니다.
- ▶ 기기를 사용하고 유지보수하는 동안 사용자와 그 주변에 있는 사람들은 반드시 적합한 보안경, 안전모, 귀마개, 보호장갑 그리고 보호 마스크를 착용해야 합니다.
- ▶ 진공 청소기가 안전한 상태에 놓이도록 휠 브레이크를 작동하십시오. 휠 브레이크가 열려 있는 경우 진공 청소기가 제어되지 않은 상태로 움직일 수 있습니다.
- ▶ 먼지 제거장치나 수거장치를 설치할 수 있는 기기의 경우, 이 장치들이 연결되어 있는지 그리고 제대로 작동되는지를 확인하십시오. 먼지 포집장치 사용은 먼지로 인한 위험을 줄여줄 수 있습니다.

2.3 기기의 올바른 사용방법과 취급방법

- ▶ 기기를 무방비 상태로 방치해서는 안 됩니다.
- ▶ 위험 분진 흡인 시, 특히 분진을 유발하는 전동 공구를 사용할 경우 필터 정화장치를 비활성화시키지 마십시오.
- ▶ 기기가 결빙되지 않도록 보호하십시오.
- ▶ 설명서 내용에 따라 주기적으로 솔을 이용하여 수위 제한장치를 닦아주고 손상된 흔적이 있는지 점검하십시오.
- ▶ 청소기 헤드 설치 시, 전원 케이블이 눌리거나 손상되지 않도록 유의하십시오. 부상 위험 및 손상 위험이 있습니다.
- ▶ 기기와 액세서리에 발생할 수 있는 손상 여부를 점검하십시오. 기기를 다시 사용하기 전에 경미한 손상 부분도 완벽하게 규정에 따라 기능을 발휘하는지 세심하게 점검해야 합니다. 기기의 움직이는 부품이 완벽하게 작동하는지, 끼이지 않았는지 또는 부품이 손상되지 않았는지를 점검하십시오. 기기의 완벽한 작동을 보장하기 위한 모든 조건들이 충족되어야 하고, 모든 부품이 정확하게 설치되어야 합니다.
- ▶ 기기는 반드시 자격이 있는 전문 기술자에 의해 순정 대체부품만을 이용하여 수리해야 합니다. 이렇게 하여 기기의 안전성을 계속해서 유지할 수 있습니다.
- ▶ 기기를 사용하지 않을 경우(작업 일시중지), 액세서리 부품 또는 필터 교환 그리고 관리와 유지 보수 전에는 전원플러그를 소켓에서 항상 빼놓으십시오. 이러한 예방 조치를 통해 실수로 기기가 작동하는 일이 없도록 방지합니다.
- ▶ 다른 작업 위치로 이동할 경우 절대 전원 케이블을 이용하여 진공 청소기를 끌어 당기지 마십시오. 진공 청소를 전원 케이블 위로 가져가지 마십시오.
- ▶ 기기를 크레인으로 이동시키지 마십시오.

UM 및 UME 청소기의 경우 추가 사항

- ▶ 기기를 운반하거나 사용하지 않을 때에는 쉘 커플링을 이용해서 흡기 부속품을 막아 놓으십시오.



2.4 전기에 관한 안전수칙

- ▶ 충전기의 전원 플러그가 소켓에 잘 끼워져야 합니다. 플러그를 절대 변형시켜서는 안됩니다. 접지된 기기와 함께 어댑터 플러그를 사용하지 마십시오. 변형되지 않은 플러그와 적합한 소켓을 사용하면 감전의 위험을 줄여 줍니다.
- ▶ 콘넥터를 확실하게 설치되어 있고 모든 국소적인 상태에 맞추어진 적합한, 접지된 소켓에 끼우십시오. 소켓이 확실하게 접지되어 있는지 의심이 갈 경우, 이를 자격이 있는 전기기술자가 점검하도록 하십시오.
- ▶ 파이프, 히터, 전기레인지, 냉장고와 같은 접지 표면에 신체 접촉을 피하십시오. 신체에 닿을 경우 감전될 위험이 높습니다.
- ▶ 기기를 비에 맞지 않게 하고 습한 장소에 두지 마십시오. 기기에 물이 들어가면 감전될 위험이 높습니다.
- ▶ 전원 케이블이 더러운 물이 고인 웅덩이에 빠져 있지 않음지 확인하십시오.
- ▶ 기기의 연결 케이블을 정기적으로 점검하고, 손상이 있을 경우 Hilti 서비스 센터에서 교환하도록 하십시오. 연장 케이블을 정기적으로 점검하고, 손상되었을 경우 이를 교체하십시오.
- ▶ 작업 시 전원 케이블 및/또는 연장 케이블이 손상되었을 경우 접촉하면 안됩니다. 전원 플러그를 소켓에서 빼내십시오. 손상된 전원 케이블과 연장 케이블은 전기 쇼크로 인한 위험을 유발할 수 있습니다.
- ▶ 전원 연결 케이블은 설명서에 정의한 형식으로만 교환해야 합니다.
- ▶ 케이블만을 잡고 기기를 운반하거나 걸어 놓아서 안되며, 소켓에서 전원 플러그를 빼낼 때 케이블만을 잡은 채로 빼내지 마십시오. 전원 케이블이 열, 오일, 날카로운 모서리 또는 기기의 가동부위에 접촉하지 않도록 주의하십시오. 손상되거나 영긴 전원 케이블은 감전을 유발할 수 있습니다.
- ▶ 실외에서 전동 기기를 이용하여 작업할 때, 실외용으로 승인된 연장 케이블만 사용하십시오. 실외용 연장 케이블을 사용하면 감전의 위험을 줄일 수 있습니다.
- ▶ 전원 차단 시 기기의 전원을 끄고 전원 플러그를 뽑으십시오.
- ▶ 기기 소켓은 사용 설명서에서 지정한 목적대로만 사용하십시오.
- ▶ 더럽거나 축축한 상태에서는 기기를 작동시키지 마십시오. 특히 전도성이 있는 소재에서 기기의 표면에 달라 붙어있는 먼지나 습기는 작업자의 기기조작을 어렵게 하며, 부적합한 조건 하에서는 전기 쇼크까지도 일으킬 수 있습니다. 따라서 전도성이 있는 소재로 자주 작업할 경우, 오염된 기기를 정기적으로 Hilti 서비스 센터에서 점검하도록 하십시오.

2.5 작업장

- ▶ 작업장의 조명을 충분히 밝게 하십시오.
- ▶ 작업공간을 충분히 환기시키십시오. 환기가 잘 되지 않는 작업장에서는 먼지 때문에 건강에 해를 입을 수 있습니다.
- ▶ 작업장을 깨끗하게 정돈하십시오. 부상을 초래할 수 있는 장애물을 작업영역에서 치우십시오. 정돈되지 않은 작업장은 사고의 원인이 될 수 있습니다.
- ▶ 인화성 액체, 가스 또는 먼지가 있어 폭발 위험이 있는 환경에서는 기기를 사용하지 마십시오. 전동 기기는 먼지나 증기를 정착시킬 수 있는 스파크를 일으킵니다.
- ▶ 특히 계단에서 작업할 경우 주의를 기울이십시오.

2.6 물질

- ▶ 건강에 위험을 가하는, 인화성 그리고/또는 폭발성 먼지는 흡인해서는 안됩니다(마그네슘-알루미늄 먼지 등). 온도가 60°C (140°F) 이상인 소재는 흡입할 수 없습니다(불꽃이 남아있는 담배, 뜨거운 재).
- ▶ 인화성, 폭발성 또는 부식성의 액체는 이 기기를 사용하여 청소해서는 안 됩니다(냉각수 및 윤활제, 가솔린, 용제, 산(pH < 5), 알칼리액 (pH > 12.5) 등).
- ▶ 거품 또는 액체가 흘러나오면 기기를 즉시 전원을 끄십시오.
- ▶ 최대 60°C (140°F)에 이르는 뜨거운 물질을 흡입할 때는 보호장갑을 착용하십시오.
- ▶ 광물성 드릴링 슬러지 청소 작업 시, 보호복을 착용하여 피부접촉을 피하십시오(pH > 9, 부식성).
- ▶ 염기성 또는 산성 액체를 만지지 않도록 하십시오. 실수로 만졌을 경우, 물로 씻으십시오. 전해액이 눈에 들어갔으면, 물로 씻어내고 의사와 상담하십시오.

UL 청소기의 경우 추가 사항

- ▶ 기기는 먼지 등급 L에서 건식, 비인화성 먼지, 대팻밥 및 노출 한계값 1 mg/m³을 초과하는 위험 분진을 흡인하는 데 적합합니다. 기기는 흡인해야 할 분진의 위험도에 따라 적합한 필터를 갖추어야 합니다.

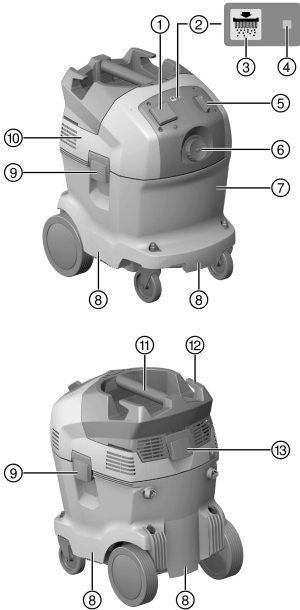
UM 및 UME 청소기의 경우 추가 사항

- ▶ 기기는 먼지 등급 M에서 건식, 비인화성 먼지, 대팻밥 및 노출 한계값 ≥ 0.1 mg/m³의 위험 분진을 흡인하는 데 적합합니다. 기기는 흡인해야 할 분진의 위험도에 따라 적합한 필터를 갖추어야 합니다.



3 제품 설명

3.1 제품 개요



- ① 기기 소켓
- ② 자동 필터 청소
- ③ "필터 청소 ON/OFF" 버튼(UL 및 UME의 경우 만)
- ④ "자동 필터 청소" 상태 표시기
- ⑤ 기기 스위치
- ⑥ 호스 소켓
- ⑦ 오물수거용기
- ⑧ 손잡이
- ⑨ 래치
- ⑩ 청소기 헤드
- ⑪ 손잡이
- ⑫ 전원 케이블 후크
- ⑬ 필터 커버용 래치

3.2 규정에 맞는 사용

여기에 기술된 제품은 상업적 용도로 사용되는 범용 산업용 청소기입니다. 건식 및 습식 작업에 사용할 수 있습니다.

본 제품으로 사람과 동물을 흡입해서는 안 됩니다. 지하수 사용은 금지되어 있습니다.

경고

건강 상의 위험! U 청소기는 건강에 유해한 먼지 흡입에는 적합하지 않습니다.

▶ 이 모델을 이용해 작업할 경우 건강에 유해한 먼지는 흡입하지 마십시오.

- ▶ 작업하기 전에 제품 취급방법, 작업물에서 발생할 수 있는 위험 및 흡인 물질의 안전한 폐기방법에 대해 알려주어야 합니다.
- ▶ 본 제품을 자동 또는 반자동 시스템에 고정 설치하여 계속적으로 사용하지 마십시오.
- ▶ 부상의 위험을 줄이기 위해 Hilti 순정품 액세서리와 공구만 사용하십시오.
- ▶ 정전기 효과를 방지하기 위해 정전기 방지 흡인호스를 사용하십시오.
- ▶ 먼지 포집 백에 손상을 초래할 수 있는 물질은 흡인하지 마십시오 (예를 들면 뽕죽하거나 모서리가 날카로운 물질).
- ▶ 본 제품을 사다리 대용으로 사용하지 마십시오.

본 제품은 다음과 같은 상업적 용도로 사용하기에 적합합니다.

- Hilti 다이아몬드 그라인더, 절단 그라인더, 로터리 함마 드릴 및 건식 및 건식 코어비트 사용 시 발생하는 다량의 먼지 흡인.
- Hilti 다이아몬드 코어비트 또는 Hilti 다이아몬드 톱 사용 시 발생하는 광물성 먼지 및 최대 온도 < 60°C (140°F)의 액상 물질 흡인.
- 오일 및 최대 온도 < 60°C (140°F)의 액상 매체 흡인.
- 벽면 및 바닥면 습식 및 건식 청소

UL 청소기의 경우 추가 사항

건식, 비인화성 먼지, 액체, 대팻밥 및 노출 한계값이 1 mg/m³을 넘는 위험 분진(분진 등급 L) 흡인.



UM 및 UME 청소기의 경우 추가 사항

건식, 비인화성 먼지, 액체, 대팻밥 및 노출 한계값이 0.1 mg/m³을 넘는 위험 분진(분진 등급 M) 흡인.

UL, UM 및 UME 청소기의 경우 추가 사항

먼지 흡인 시 배기가 실내 공간으로 다시 들어온다면 실내 공간의 환기율 L이 충분해야 합니다. 국가별 규정예 유의하십시오.

3.3 잘못 사용할 수 있는 경우

- 이 산업용 진공 청소기를 눕혀서 작동시켜서는 안 됩니다.
- 산업용 진공 청소기는 폭발 위험이 있는 소재, 발광 소재, 타는 소재 또는 가연성 소재 및 부식성 먼지(예: 마그네슘 알루미늄 먼지 등) 흡인용으로 사용되어서는 안 됩니다(예외: 대팻밥).
- 산업용 진공 청소기는 가연성 액체(예: 휘발유, 연마성 세정제, 산, 냉각제 및 윤활제 등) 흡인용으로 사용되어서는 안 됩니다.
- 건강에 해로운 물질(예: 석면 등)을 가공해서는 안 됩니다.

3.4 공급품목

습식/건식 진공 청소기(필터 엘리먼트 포함), 회전 슬리브(청소기축) 및 공구 슬리브를 포함한 호스 전체, 플라스틱 먼지 포집 백 PE VC 20/40, 사용 설명서.

3.5 음향 경고 신호

UM 및 UME 청소기에는 음향 경고 신호장치가 장착되어 있습니다. 흡인 호스의 공기속도가 20 m/s 이하로 떨어지면 안전을 위해 음향 신호가 출력됩니다.

경고 신호가 제대로 작동될 수 있도록 호스 직경 설정에서 사용한 호스의 직경을 설정해야 합니다.

3.6 자동 필터 청소

필터 엘리먼트에 달라붙은 먼지를 가능한 한 많이 제거하기 위해 청소기에는 자동 필터 청소기능이 있습니다. 필터 청소 기능은 "자동 필터 청소 ON/OFF" 버튼을 눌러서 끄거나 다시 눌러서 켤 수 있습니다.

상태	의미
LED가 점등됨.	• 필터 청소 기능이 활성화되어 있습니다.
LED가 점등되지 않음.	• 필터 청소 기능이 비활성화되어 있습니다.

청소기를 작동시킬 때마다 필터 청소기능이 자동으로 활성화됩니다.

필터 엘리먼트는 에어 블라스트(진동 소음)를 통해 자동으로 청소됩니다.

i 시스템 작업(특히 연삭, 절단 및 홈 작업) 또는 다량의 먼지 흡입 시 지속적으로 높은 흡입 용량을 유지하려면 필터 청소 기능이 활성화되어 있어야 합니다.

필터 청소는 흡인호스가 연결된 상태에서만 작동합니다.

3.7 적용 지침

액세서리 및 작업 유형

액세서리	사용 방식
플라스틱 먼지 포집 백 PE VC 20 (203854)	광물질에 사용, 습식 및 건식
플라스틱 먼지 포집 백 PE VC 40 (203852)	광물질에 사용, 습식 및 건식
종이 먼지 포집 백 VC 20 (203858)	목재에 사용
종이 먼지 포집 백 VC 40 (203856)	목재에 사용
필터 VC 20/40 건식 (2121386)	건식
필터 VC 20/40 범용 (2121387)	범용 습식 및 건식
필터 VC 20/40 고성능 (2121388)	집중적인 작업 습식 및 건식
흡인호스 27 x 3,5 m AS	습식 및 건식
흡인호스 36 mm	대부분 습식, 먼지 흡입 작업 없음
흡인호스 36 x 5 m AS	습식 및 건식

▶ UM 및 UME 청소기의 경우 반드시 플라스틱 또는 종이로 된 먼지 포집 백을 사용하십시오.



4 기술자료

4.1 습식/건식 진공 청소기

	VC 20	VC 40
치수(L x B x H in mm)	505 x 380 x 500	505 x 380 x 610
EPTA-Procedure 01에 따른 무게	13.0kg	14.7kg
용기 용적	21ℓ	36ℓ
먼지 흡인양	23kg	40kg
물 주입량	13.5ℓ	25ℓ
작동 온도	-10 °C ... 40 °C	-10 °C ... 40 °C
자동 필터 청소 전체	15초	15초
보호 등급	I	I
보호기준	IP X4	IP X4
정격 주파수	50Hz ... 60Hz	50Hz ... 60Hz

4.2 정격 전압

i 발전기 또는 변압기에서 작동할 경우, 발전기 및 변압기의 공급 출력이 본 기기의 형식 라벨에 적힌 정격 출력보다 최소 두 배 이상 높아야 합니다. 변압기 및 발전기의 작동 전압은 항상 기기의 정격 전압의 +5 % ~ -15 % 사이에 위치해야 합니다.

•/•	100 Volt [V]	110 Volt [V]	110 Volt [V]	200 Volt [V]
정격 출력	1200 W [W]	1100 W [W]	1100 W [W]	950 W [W]
전동공구용 내장된 기기소켓의 연결 케이블 (있을 경우)	•/•	1600 W [W]	•/•	•/•
전원 (형식)	VCTF 3 x 2.0 mm ²	A07 QQF 3 / 12 AWG	H07 BQF 3G 1.5 mm ²	VCTF 3 x 2.0 mm ²
•/•	220 - 240 Volt [V]	220 - 240 (CH) Volt [V]	220 - 240 (GB) Volt [V]	220 - 240 (NZ) Volt [V]
정격 출력	1200 W [W]	1200 W [W]	1200 W [W]	1200 W [W]
전동공구용 내장된 기기소켓의 연결 케이블 (있을 경우)	2400 W [W]	1100 W [W]	1800 W [W]	1200 W [W]
전원 (형식)	H07 RNF 3G 1.5 mm ²	H07 RNF 3G 1.5 mm ²	H07 RNF 3G 1.5 mm ²	H07 RNF 3G 1.5 mm ²

4.3 최대 체적 유량 및 최대 진공

		VC 20-U	VC 20-UL	VC 20-UM	VC 20-UME
최대 체적 유량(공기)	950 W	68ℓ/s	•/•	•/•	•/•
	1100 W	68ℓ/s	•/•	•/•	•/•
	1200 W	74ℓ/s	•/•	•/•	•/•
최대 체적 유량(공기)	1100 W	•/•	138m ³ /h	138m ³ /h	138m ³ /h
	1200 W	•/•	150m ³ /h	150m ³ /h	150m ³ /h
최대 진공 압력	950 W	235hPa	•/•	•/•	•/•
	1100 W	230hPa	209hPa	209hPa	209hPa
	1200 W	253hPa	253hPa	253hPa	253hPa



		VC 40-U	VC 40-UL	VC 40-UM	VC 40-UME
최대 체적 유량(공기)	950 W	68ℓ/s	•/•	•/•	•/•
	1100 W	68ℓ/s	•/•	•/•	•/•
	1200 W	74ℓ/s	•/•	•/•	•/•
최대 체적 유량(공기)	1100 W	•/•	138m³/h	138m³/h	138m³/h
	1200 W	•/•	150m³/h	150m³/h	150m³/h
최대 진공 압력	950 W	235hPa	•/•	•/•	•/•
	1100 W	230hPa	209hPa	209hPa	209hPa
	1200 W	253hPa	253hPa	253hPa	253hPa

4.4 소음과 진동에 대한 정보(EN 60335에 따라 측정)

다음 사항은 모든 산업용 청소기 VC 20 및 VC 40에 적용됩니다.

방출 음압 수준 (L_{pA})	73dB(A)
음압 수준 허용공차 (K_{pA})	2.5dB(A)
진동 배출값	< 2.5m/s ²

5 연장 케이블의 사용

경고

손상된 케이블로 인한 위험! 작업하는 동안 전원 케이블이나 연장 케이블이 손상되었을 경우에는 절대로 케이블을 만지지 마십시오. 전원 플러그를 소켓에서 빼내십시오.

- ▶ 기기의 연결 케이블을 정기적으로 점검하고, 손상이 있을 경우 자격을 갖춘 전문가가 교환하도록 하십시오.
- 케이블의 단면적이 충분히 크고 해당 용도로 허용된 연장 케이블만을 사용하십시오. 그렇지 않을 경우 기기의 출력이 손실되거나 케이블이 과열될 수 있습니다.
- 연장 케이블의 손상 여부를 정기적으로 점검하십시오.
- 손상된 연장 케이블을 교체해야 한다.
- 실외에서 작업할 때에는 실외용으로 표시되고 승인된 연장 케이블만 사용하십시오.

전원 전압이 120V일 때 권장되는 최소 단면적 및 최대 케이블 길이

케이블	AWG 16	AWG 14	AWG 12	AWG 10
전기도선 단면적	1,31 mm ²	2,08 mm ²	3,31 mm ²	5,26 mm ²
전기도선 단면적	2,58 kcmil	4,11 kcmil	6,53 kcmil	10,4 kcmil
케이블 길이	25 m	30 m	50 m	100 m
케이블 길이	75 ft	100 ft	150 ft	250 ft

6 사용전 준비사항

위험

전류에 의한 위험. 청소기가 제대로 연결되지 않은 경우, 사망 또는 중상을 유발할 수 있습니다.

- ▶ 청소기를 올바르게 접지된 전원선에 연결하십시오.

주의

제어되지 않는 움직임으로 인한 부상 위험! 휠 브레이크가 열려 있는 경우 진공 청소기가 제어되지 않은 상태로 움직일 수 있습니다.

- ▶ 진공 청소기가 안전한 상태에 놓이도록 휠 브레이크를 작동하십시오.



6.1 최초 작동



플라스틱 먼지 포집 백: 위험하지 않은 먼지 흡인용
 광물성 먼지용 플라스틱 먼지 포집 백 또는 대팻밥용 종이 먼지 포집 백:
 노출 한계값 0.1 mg/m3을 초과하는 분진 흡인용 등급 M
 노출 한계값 1 mg/m3을 초과하는 분진 흡인용 등급 L 또는 M

1. 2개의 래치를 여십시오.
2. 청소기 헤드를 오물수거용기로부터 들어올리십시오.
3. 액세서리 부품을 오물수거용기와 포장에서 꺼내십시오.
4. 기기 상부를 오물수거용기 위에 위치시킨 다음, 2개의 래치를 잠그십시오.
5. 청소기 헤드가 정확하게 설치되고 고정되어 있는지 확인하십시오.
6. 흡인 호스를 기기에 연결하십시오.

6.2 대팻밥의 흡인을 위해 종이 먼지 포집 백 설치



뾰족한 물건으로 인해 먼지 포집 백이 뚫릴 수 있습니다.
 먼지 포집 백이 뚫린 만한 물건이 없는지 확인하십시오.

1. 전원 플러그를 소켓에서 빼내십시오.
2. 2개의 래치를 여십시오.
3. 청소기 헤드를 오물수거용기로부터 들어올리십시오.
4. 새 종이 먼지 포집 백을 어댑터에 삽입하여 오물수거용기에 설치하십시오.
5. 청소기 헤드를 오물수거용기에 위치시키십시오.
6. 2개의 래치를 잠그십시오.
7. 청소기 헤드가 정확하게 설치되고 고정되어 있는지 확인하십시오.
8. 흡인 호스를 기기에 연결하십시오.

6.3 플라스틱 먼지 포집 백 삽입

1. 전원 플러그를 소켓에서 빼내십시오.
2. 2개의 래치를 여십시오.
3. 청소기 헤드를 오물수거용기로부터 들어올리십시오.
4. 새 플라스틱 먼지 포집 백(인쇄된 설명서)을 오물수거용기에 고정시키십시오.
5. 기기 상부를 오물수거용기 위에 위치시킨 다음, 2개의 래치를 잠그십시오.

7 조작

경고

부상 위험. 필터 시스템 손상으로 인해 건강에 유해한 분진이 방출될 수 있습니다.

- ▶ 비상 시(예: 필터 파손) 청소기의 전원을 끄고, 소켓에서 전원 플러그를 뽑으십시오. 다음 번에 청소기를 사용하기 전에 전문가에게 점검을 받으십시오.

위험

부상 위험. L 등급 흡입기 및 M 등급 흡입기의 경우 기기에 건강에 유해한 분진이 포함되어 있습니다.

- ▶ 용기 제거 작업을 비롯하여 비우기 작업 및 정비 작업은 알맞은 보호장구를 착용한 전문 기술자만 수행할 수 있습니다. 해당 안전장비를 착용하십시오.
- ▶ 유해 물질로 오염된 장소에서 진공 청소기의 내용물 비우기 전에 청소기의 외부에 깨끗이 하고 닦아내거나 밀폐된 상태로 포장하십시오. 기계 부품이 위험한 영역에서 사용된 경우 모든 기계 부품이 오염된 것으로 봐야하기 때문에 먼지가 분산되는 일이 없도록 적합한 조치를 취하십시오.
- ▶ 완벽한 필터 시스템 없이는 절대로 청소기를 작동시키지 마십시오.

주의

제어되지 않는 움직임으로 인한 부상 위험! 휠 브레이크가 열려 있는 경우 진공 청소기가 제어되지 않은 상태로 움직일 수 있습니다.

- ▶ 진공 청소기가 안전한 상태에 놓이도록 휠 브레이크를 작동하십시오.




7.1 UM 및 UME 청소기에서 호스 직경 설정

1. 노출 한계값이 명시되어 있는 건식, 비가연성 먼지와 대팻밥을 흡인하도록 흡입 호스 직경을 호스 직경 세팅용 스위치와 맞추십시오.
2. 청소기를 Hilti 중공 드릴 시스템과 함께 사용할 경우 최소 호스 직경으로 전환하십시오.


7.2 기기 소켓을 사용하지 않은 작동

1. 전원 플러그를 끼우기 전에 기기의 스위치가 "OFF"에 있는지 확인하십시오.
2. 청소기의 전원 플러그를 소켓에 끼우십시오.
3. 컨트롤 스위치를 "ON"으로 위치시키십시오.


7.3 기기 소켓을 사용한 작동

 기기 소켓은 진공 청소기를 전동공구와 직접 연결하도록 되어 있습니다. 전동공구를 기기 소켓에 연결했을 때 사용 설명서와 설명서에 기재된 안전 지침에 유의하십시오.

1. 소켓에서 청소기의 전원 플러그를 빼내십시오.
2. 연결할 전동공구의 최대 전력소비가 기기 소켓 전력의 최대 허용값 이하인지의 여부를 점검하십시오("기술자료" 장 및 기기소켓의 마크 참조).
3. 전동 공구의 전원 플러그를 끼우기 전에 전동 공구의 스위치가 꺼져 있는지 확인하십시오.
4. 전동 공구의 전원 플러그를 기기 소켓에 끼우십시오.
5. 청소기의 전원 플러그를 소켓에 끼우십시오.
6. 컨트롤 스위치를 "AUTO"로 위치시키십시오.
7. 전동공구를 켜십시오.

 전동 공구는 흡인 호스에 존재하는 먼지를 흡인하기 위해 스위치가 꺼진 후에도 수 초 동안 작동합니다.

7.4 건조한 먼지 청소

 건조한 물질을 흡인하기 전에 특히 광물성 먼지를 흡인하기 전에 항상 정확한 먼지 포집 백을 용기안에 삽입해야 한다는 점에 유의하십시오. 그러면 흡인해낸 물질을 간단하고 깨끗하게 폐기처리할 수 있습니다.

주의

부상 위험. 필터를 사용하지 않으면 위험한 물질이 방출될 수 있습니다.


- ▶ 필터 엘리먼트 없이 흡인하지 마십시오.
- ▶ 필터 엘리먼트가 건조한 상태인지 확인하고 먼지 포집 백이 제대로 삽입되었는지 확인하십시오.

7.5 액체 흡입

주의

부상 위험. 필터를 사용하지 않으면 위험한 물질이 방출될 수 있습니다.

- ▶ 필터 엘리먼트 없이 흡인하지 마십시오.
1. 오염물질수준 감시 상태를 점검하십시오. → 페이지 114
 2. 액체 흡인용으로는 별도의 습식 필터 엘리먼트를 사용하십시오.

 권장되는 필터는 Hilti 필터 VC 20/40 universal (2121387)입니다.

3. 액체를 흡인한 후 2개의 래치를 여십시오.
4. 청소기 헤드를 오물수거용기로부터 들어올려 평평한 바닥에 내려놓고 필터를 건조시키십시오.
5. 오물수거용기를 비우고 용기를 천으로 닦으십시오. 솔을 이용하여 전극을 청소하고 먼저 건조시킨 후 필터를 손으로 깨끗이 털어내어 청소하십시오.
6. 오물수거용기를 건조시키십시오.



7.6 흡입 후

1. 공구를 끄십시오.
2. 컨트롤 스위치를 "OFF"로 위치시키십시오.
3. 소켓에서 청소기의 전원 플러그를 빼내십시오.
4. 연결 케이블을 감아 전원 케이블 고리에 고정시키십시오.
5. 용기를 비우고 기기를 물기가 있는 천으로 닦아 청소하십시오.
6. 흡인 호스를 감으십시오.
7. 청소기를 권한이 없는 사람들이 사용하지 못하도록 하고, 건조한 장소에 보관하십시오.

7.7 건식 분진의 경우 오물수거용기를 비우십시오.

1. 전원 플러그를 소켓에서 빼내십시오.
2. 청소기 헤드를 오물수거용기로부터 들어올려 평평한 바닥에 내려놓으십시오.
 - ↳ **UM 및 UME** 청소기의 경우
 - ▶ 먼지 포집 백을 오물수거용기로부터 떼어내십시오.
 - ↳ **U 및 UL** 청소기의 경우
 - ▶ 오물수거용기에서 먼지 포집 백을 분리하거나 손잡이를 잡고 오물수거용기가 비워지도록 기울이십시오.
3. 기기 상부를 오물수거용기 위에 위치시킨 다음, 2개의 래치를 잠그십시오.

7.8 (액체일 경우) 오물수거용기(먼지 포집 백 미포함)를 비우십시오.

1. 전원 플러그를 소켓에서 빼내십시오.
2. 청소기 헤드를 오물수거용기로부터 들어올려 평평한 바닥에 내려놓으십시오.
3. 손잡이를 잡고 오물수거용기가 비워지도록 기울이십시오.
4. 오물수거용기 가장자리를 천으로 청소하십시오.
5. 기기 상부를 오물수거용기 위에 위치시킨 다음, 2개의 래치를 잠그십시오.

8 관리 및 유지보수

8.1 기기 관리

경고

전류에 의한 위험. 전기 부품에서 부적절하게 수리하면 중상을 입을 수 있습니다.

▶ 전기 부품에서의 수리는 전기 기술자를 통해서만 진행하십시오.

- ▶ 기기, 특히 손잡이 부분을 건조하고 깨끗하게, 그리고 오일과 그리스가 묻어있지 않도록 해야 합니다. 실리 콘이 함유된 표면보호제를 사용하지 마십시오.
- ▶ 환기 슬롯이 막힌 상태에서는 청소기를 작동시키지 마십시오! 마른 솔로 환기 슬롯을 조심스럽게 청소하십시오. 이물질이 기기 내부로 들어가지 않도록 하십시오.
- ▶ 약간 물기가 있는 수건으로 기기 바깥쪽을 정기적으로 청소해 주십시오. 세척할 때 스프레이 기구, 스팀 롤리너 또는 흐르는 물을 사용하지 마십시오. 이로 인해 기기의 전기 안전을 보장받지 못할 수도 있습니다.


UL, UM 및 UME 청소기의 경우

청소, 정비시에 정비사와 다른 사람에게 위험을 발생시키지 않도록 기기를 다루어야 합니다.

- ▶ 필터식 환기 시스템을 사용하십시오.
- ▶ 작업복을 착용하십시오.
- ▶ 위험한 물질이 접근하지 않도록 정비영역을 청소하십시오.
- ▶ 기기를 위험 물질이 있는 영역에서 제거하기 전에 진공 청소기의 기기 외부를 청소하고, 깨끗이 닦은 다음 밀폐식 컨테이너에 넣으십시오. 이때 침전된 위험한 먼지가 분산되지 않도록 하십시오.
- ▶ 정비/수리 작업시에 깨끗하게 청소하지 못한 오염된 모든 부품은 썩렁한 백에 넣고 유효한 폐기 규정에 맞게 폐기처리 하십시오.
- ▶ 최소 1년에 1회 이상 **Hilti** 서비스 센터 또는 교육을 이수한 직원으로부터 먼지 관련 점검을 해야 합니다(예: 필터 손상, 기기의 공기 누설, 컨트롤 장비의 작동 여부).



8.2 자동 필터 청소

-  청소를 하기 위해 필터 엘리먼트를 딱딱한 물체에 대고 두드리거나 또는 뾰족한 물체를 사용하여 청소 작업을 하지 마십시오. 이로 인해 필터 엘리먼트의 수명이 단축됩니다.
필터 엘리먼트를 압축공기를 사용하는 청소기로 청소해서는 안됩니다. 이로 인해 필터 물질에 찌릿질 수 있습니다.

필터 엘리먼트는 소모품입니다.

- ▶ 최소 6개월에 한 번은 필터 엘리먼트를 교환하십시오.
- ▶ 필터 사용이 잦은 경우 필터 엘리먼트를 더 자주 교체해 주십시오.

8.3 필터 엘리먼트 교환

1. 전원 플러그를 소켓에서 빼내십시오.
2. 필터 커버용 래치를 여십시오.
3. 필터 커버를 여십시오.
4. 고정부에 있는 손잡이에서 필터 엘리먼트를 조심스럽게 떼어내십시오.
5. 싼 표면을 천으로 청소하십시오.
6. 새 필터 엘리먼트를 사용하십시오.
7. 커버 잠금버튼을 앞으로 젖히면서 필터 커버를 닫으십시오.
8. 필터 커버용 래치를 닫으십시오.

8.4 오염물질수준 감시 점검

1. 진공 청소기가 안전한 상태에 놓이도록 휠 브레이크를 작동하십시오.
2. 전원 플러그를 소켓에서 빼내십시오.
3. 2개의 래치를 여십시오.
4. 청소기 헤드를 오물수거용기로부터 들어올려 평평한 바닥에 내려놓으십시오.
5. 오염물질로 인해 전원 연결에 문제가 없는지 점검하고, 필요에 따라 브러쉬로 청소하십시오.
6. 청소기 헤드 싼에 대한 오염 물질 상태를 점검하고 필요에 따라 천으로 청소하십시오.
7. 기기 상부를 오물수거용기 위에 위치시킨 다음, 2개의 래치를 잠그십시오.

8.5 관리 및 수리작업 후 점검

1. 관리 및 수리 작업 후 청소기가 제대로 조립되었는지 그리고 이상 없이 작동되는지 점검하십시오.
2. 기능테스트를 실시하십시오.

9 운반 및 보관

9.1 운반

폐기물로 가득 찬 기기는 운반해서는 안 됩니다.

기기를 크레인에 걸어서는 안 됩니다.

- ▶ 필요에 따라 Power Conditioner 또는 홀더의 풀린 공구를 제거하십시오.
- ▶ 다른 장소로 운반하기 전에 기기의 폐기물을 비워내야 합니다.
- ▶ 액체를 흡인한 경우 기기를 기울이거나 눕힌 채로 운반하지 마십시오.
- ▶ 운반을 위해 어댑터를 사용하여 양쪽 호스 끝에 연결할 수 있습니다.

UM 및 UME 청소기의 경우



위험

부상 위험. 호스 소켓을 통해 위험한 흡입 물질이 방출될 수 있습니다.

- ▶ M 등급 청소기의 경우 기기를 운반하거나 사용하지 않을 때에는 싼 커플링을 이용해서 흡기 부속품을 막아 놓으십시오.

9.2 보관

- ▶ 청소기를 권한이 없는 사람들이 사용하지 못하도록 하고, 건조한 장소에 보관하십시오.



10 문제 발생 시 도움말

본 도표에 제시되어 있지 않거나 스스로 해결할 수 없는 문제가 발생한 경우 Hilti 서비스 센터에 문의해 주십시오.

10.1 고장 목록

장애	예상되는 원인	해결책
UM 및 UME 청소기의 경우 음향 경고 신호(감소된 흡입음량)	먼지 포집 백이 가득 참.	▶ 먼지 포집 백을 교체하십시오.
	필터 엘리먼트가 심하게 오염됨.	▶ 자동 필터 청소가 비활성화된 경우, 자동 필터 청소를 활성화한 후 청소기를 30초 동안 작동시키십시오.
	전동 공구의 흡입 호스 또는 먼지 분리기가 막힘.	▶ 흡입 호스 및 먼지 분리기를 청소하십시오.
	호스 직경 설정이 잘못된 위치에 있음.	▶ 호스 직경을 조정하십시오. ▶ 중공 드릴을 사용하는 경우 15 mm 직경의 호스를 선택하십시오.
기지에서 먼지가 분출됨.	필터 엘리먼트가 제대로 설치되지 않음.	▶ 필터 엘리먼트를 다시 설치하십시오.
	필터 엘리먼트가 손상되었음.	▶ 새 필터 엘리먼트를 설치하십시오.
기기가 의도치 않게 전원이 꺼졌다 꺼짐 또는 사용자가 의해 정적 방전이 일어남.	정전기 접지가 이루어지지 않음, 기기가 접지 처리된 소켓에 연결되지 않음.	▶ 기기를 접지 처리된 소켓에 연결하고, 정전기 방지 호스를 사용하십시오.
기기가 작동하지 않거나 잠깐 동안 작동한 후 스위치OFF됨.	물 분사 차단장치 작동됨.	▶ 솔을 이용하여 센서 및 센서 주변을 청소하십시오.
모터가 더 이상 작동하지 않음.	플러그 커넥터의 퓨즈가 작동됨.	▶ 퓨즈의 전원을 켜십시오. ▶ 다시 한 번 작동시켜 과전류 원인을 찾아보십시오.
	오물수거용기가 가득 참.	▶ 기기의 전원을 끄고 오물수거기를 비우십시오.
	모터 서멀보호장치 활성화됨.	▶ 기기의 전원을 끄고 5분 정도 냉각시키십시오. ▶ 모터가 작동하지 않으면, 기기를 Hilti 고객 서비스 센터로 가져오십시오.
	모터 서멀보호장치가 반복해서 모터를 차단함.	▶ 마른 솔로 환기 슬롯을 조심스럽게 청소하십시오.
모터가 자동 모드에서 작동하지 않음.	연결된 기기에 결함이 있거나 정확하게 설치되지 않음.	▶ 연결된 기기의 작동 여부를 점검하거나 전원 플러그를 고정하여 끼우십시오.
자동 필터 엘리먼트 청소가 작동하지 않음.	흡입 호스가 연결되지 않음.	▶ 흡입 호스를 연결하십시오.

11 폐기

Hilti 제품은 대부분 재사용이 가능한 소재로 제작되었습니다. 재활용을 위해 개별 부품을 분리하여 주십시오. Hilti는 대부분의 국가에서 재활용을 위해 노후기기를 수거해 갑니다. Hilti 고객 서비스 센터 또는 판매 담당자에게 문의하십시오.

수명이 다 된 기기는 전기/전자-노후기계에 대한 EU 규정에 따라 그리고 각 국가의 법규에 명시된 방식에 따라 반드시 별도로 수거하여 친환경적으로 재활용되도록 하여야 합니다.



- ▶ 전자기기를 일반 가정의 쓰레기처럼 폐기해서는 안 됩니다.



드릴링 슬러지

환경적 관점에서, 드릴링 후 남은 콘크리트 찌꺼기를 적합하게 전처리하지 않고 강, 호수 또는 운하로 방류하는 것은 문제가 됩니다.

- ▶ 관련 규정에 관한 자세한 사항은 지역 관계당국에 문의하십시오.

폐사는 다음과 같은 전처리를 권장합니다:

- ▶ 드릴링 후, 콘크리트 찌꺼기를 수거하십시오 (예를 들면 습식 진공 청소기를 이용하여).
- ▶ 드릴링 후, 콘크리트 찌꺼기를 분리하여 고체 재료를 건축물쓰레기 처리장으로 보내 폐기하십시오(양모 필터를 이용하면 분리 처리를 가속시킬 수 있습니다).
- ▶ 잔류 액체 (염기성 pH-값 >7)는 산성 중화제를 첨가하거나 많은 물로 희석하여 중화시킨 다음 방류해야 합니다.

드릴링 분진

- ▶ 수거된 드릴링 먼지는 현재 국가별 법적 규정에 따라 폐기하십시오.

12 제조회사 보증

- ▶ 보증 조건에 관한 질문사항은 Hilti 파트너 지사에 문의하십시오.



1 文件相關資訊

1.1 關於此文件

- 初次操作或使用前，請先詳讀此文件。本文件包含安全前提、疑難排解處理和產品使用。
- 請遵守本文件中與產品上的安全說明和警告。
- 操作說明應與產品一起保管，產品交予他人時必須連同操作說明一起轉交。

1.2 符號的說明

1.2.1 警告

警告使用本產品的人員可能發生之危險。採用了以下標示文字：



危險！

- ▶ 此標語警示會發生對人造成嚴重傷害甚至致死的危險情形。



警告！

- ▶ 此標語警示會造成嚴重傷害甚至致死危險的潛在威脅。



注意！

- ▶ 此標語警示可能會發生造成人員受傷，或造成設備及其他財產損壞之危險狀況。

1.2.2 文件中的符號

我們的文件中採用以下符號：

	使用前請閱讀操作手冊
	使用操作說明與其他資訊
	處理可回收的材料
	不可將電子設備與電池當作家庭廢棄物處置

1.2.3 圖解中的符號

我們的圖解中採用了以下符號：

	號碼對應操作說明的開始處的圖解
	編號代表圖解中的操作步驟順序，可能與內文中的步驟有所不同
	項目參考編號用於總覽圖解，並請參閱產品總覽章節中使用的編號
	本符號是為了讓您在操作本產品時可以注意某些重點。
	無線資料傳輸

1.2.4 其他符號

產品上採用下列符號：

	不可用起重機搬運本機具。
--	--------------



1.3 產品專屬符號

1.3.1 產品上的符號

產品上採用下列符號：



警告：表面高溫



不可用起重機搬運本機具。

1.4 產品上的特殊貼紙

適用於UL真空吸塵器



警告：本設備含有害粉塵。僅能由熟悉本設備且穿戴適當護具的人員進行清空及保養，包括移除集塵袋等。在過濾系統安裝完成前請勿啟動。

適用於UM與UME真空吸塵器



警告：本設備含有害粉塵。僅能由熟悉本設備且穿戴適當護具的人員進行清空及保養，包括移除集塵袋等。在過濾系統安裝及流量控制功能測試完成前，請勿啟動本設備。

1.5 產品資訊

HILTI 產品是針對專業使用者設計，故僅經訓練、認可的人員可操作、維修與維護本產品。必須告知上述人員關於可能遭遇到的特殊危險。若因未經訓練人員操作錯誤或未依照其原本的用途操作，則本產品和它的輔助工具設備有可能會發生危險。

類型名稱和序號都標示於額定銘牌上。

- 在下方表格中填入序號。與Hilti維修中心或當地Hilti機關聯絡查詢產品相關事宜時，我們需要您提供產品詳細資訊。

產品資訊

乾 / 濕兩用真空吸塵器	VC 20-U VC 20-UL VC 20-UM VC 20-UME VC 40-U VC 40-UL VC 40-UM VC 40-UME
產品代別	02
序號	

1.6 符合聲明

基於我們唯一的責任，本公司在此聲明本產品符合適用的指示或標準。本文件結尾處有符合聲明之副本。技術文件已歸檔：

Hilti Entwicklungsgesellschaft mbH | Tool Certification | Hiltistrasse 6 | 86916 Kaufering, Germany

2 安全性

2.1 一般安全操作說明

除操作說明各章節所述之安全預防措施外，須隨時嚴格遵守下列規定。

- 閱讀所有操作說明。未遵守下列所有操作說明可能會導致電擊、火災事故及 / 或嚴重的傷亡。
- 如果設備與電子機具配合使用，請閱讀並遵循電子機具的操作說明和所有的警告。



- ▶ 不可改裝本設備。
- ▶ 針對工作使用正確的設備。勿將設備使用於非其設計用途上。僅依指示操作，並使用無故障之設備。
- ▶ 在開始使用設備之前，請先瞭解正確的操作程序和任何與將要吸除的物質相關的危險資訊，以及這些材料可如何處置。
- ▶ 請將周遭環境的影響列入考量。不可在有發生火災或爆炸危險的地方使用此設備。
- ▶ 僅限熟悉設備、已接受過安全使用訓練且瞭解相關危險的人員可使用本產品。本設備並非設計給兒童使用。
- ▶ 設備於不使用狀態下，請貯放於安全的地方。設備於不使用狀態下，必須貯放在乾燥、高處、上鎖或兒童無法取得的地方。

2.2 人員安全

- ▶ 使用本產品作業時，請提高警覺，注意進行中的工作並善用常識。感到疲勞或受到藥物、酒精或治療的影響時勿使用真空吸塵器。操作此設備時一不留神，便可能導致嚴重人身傷害。
- ▶ 使用設備或進行設備維修時，使用者及周圍人員都必須戴上適當的護目鏡、安全帽、耳罩、防護手套、防護鞋及防護口罩。
- ▶ 咬合轉輪煞車，使得真空吸塵器可穩固立起。如果轉輪煞車未咬合，真空吸塵器可能會運轉失控。
- ▶ 如果機具可連接吸塵裝置與集塵設備，請連接並適當使用這些設備。使用真空吸塵器可降低與粉塵有關的危險。

2.3 設備的使用與保養

- ▶ 設備必須隨時有人看管。
- ▶ 吸除有害粉塵時（尤其是在設備與會產生粉塵的電子機具一起使用時），請勿停用過濾器清潔系統。
- ▶ 避免設備結霜。
- ▶ 請依照操作說明使用刷具定期清潔水位限制器，並檢查是否有損壞的痕跡。
- ▶ 裝回真空吸塵器上蓋時，應小心不要夾到手指或損壞電源線。如此可預防受傷或損壞的危險。
- ▶ 檢查設備及其配件是否有任何損壞。為確保運作無瑕疵且能如預期發揮效果，需小心檢查其防護套、安全裝置，以及零件上是否有任何細微的損傷。檢查移動性零件的功能是否無瑕疵，無任何零件損壞。為了確保設備運作正常，所有零件必須正確安裝且符合需求。
- ▶ 將設備交給合格的維修人員進行維修，並使用Hilti原廠備件。如此一來才能確保設備的安全性。
- ▶ 設備不使用（暫停使用時）或進行清潔維護以及更換過濾器或配件前，務必將電源線拔離插座。此安全考量可減少設備意外啟動的危險。
- ▶ 不可以拉扯電源線的方式，將真空吸塵器移至新的工作位置。請勿透過電源線試圖運轉真空吸塵器的轉輪。
- ▶ 請勿使用起重機搬運設備。

額外適用於UM與UME真空吸塵器

- ▶ 搬運設備前和不使用時，請關上軟管入口插座的蓋子。

2.4 電力安全

- ▶ 設備的電源線插頭必須與插座相符合。請勿以任何方式變更插頭。勿將變壓器插頭與與地面接觸（接地）的設備搭配使用。未經改裝的插頭與規格相符的插座可降低發生電擊事故的危險。
- ▶ 僅可將插頭插入經正確、安全安裝，同時符合當地法規之合適連接地面（接地）插座中。若您對於插座的連接地面（接地）功效感到疑惑時，請將它交由合格的專員檢查。
- ▶ 免讓身體碰觸到如管線、散熱器、烹調器具、爐灶與冰箱等與土地或地表接觸之物品。身體如果接觸這些接地面會增加觸電的危險。
- ▶ 請勿讓設備暴露在雨中或潮濕的環境下。流入電器的水會增加發生電擊事故的危險。
- ▶ 檢查確認電源線是否遠離水窪處。
- ▶ 定期檢查設備的電源線，並在發現損壞時請Hilti維修中心予以更換。定期檢查延長線，並在發現損壞時予以更換。
- ▶ 設備運作時，電源線或延長線若受損，請勿碰觸。將電源線插頭自插座拔離。受損的電源線或延長線可能會有發生電擊的危險。
- ▶ 更換電源線時，僅可使用操作說明中所指定的電纜線類型。
- ▶ 勿濫用電纜線。勿以電纜線吊掛、拖拉設備或拔下設備插頭。讓電線遠離熱、油、銳利的邊緣或會移動的零件。電纜線損壞或纏繞會增加發生電擊事故的危險。
- ▶ 於室外操作電器時，務必適用於戶外的延長線。使用適合在戶外使用的延長線可降低電擊事故發生的危險。
- ▶ 若電源中斷，請將設備關閉並將插頭從插座中拔出。
- ▶ 設備上的插座僅能用於操作說明中所規範的用途上。



- ▶ 勿在設備髒污或潮濕時進行操作。粉塵（特別是導電材料所產生的粉塵）或設備表面的濕氣可能會造成電擊事故。因此，骯髒或積著粉塵的設備應定期由Hilti維修中心檢查，尤其是當設備常使用於具傳導性材質時。

2.5 工作場所

- ▶ 確保工作場所具有良好的照明。
- ▶ 確保工作場所良好的通風。暴露的通風不良而有粉塵的工作場所，會危害健康。
- ▶ 保持工作場所整齊。請移除工作場所中會使人員受傷的物件。雜亂的工作場所可能導致意外事故。
- ▶ 請勿在可能容易發生爆炸的場所操作設備（例如有易燃性液體、氣體或粉塵存在的地方）。電器產生的火花可能會引燃粉塵或煙霧。
- ▶ 在階梯上作業時請特別小心。

2.6 吸除材料

- ▶ 請勿使用設備吸除易燃 / 爆炸性粉塵（鎂或鋁質粉塵等等）或危害身體健康的粉塵。請勿使用本設備吸除溫度超過60°C (140°F) 的物質（例如有火星的菸頭、灰燼等）。
- ▶ 勿使用設備吸除易燃、具爆炸或腐蝕性的液體（冷卻液及潤滑劑、汽油、溶劑、酸質（pH<5）、鹼質（pH>12.5）等）。
- ▶ 如有泡沫或液體溢出，應立即關閉設備。
- ▶ 使用真空吸塵器吸除溫度高達60°C (140°F) 的溫熱材料時，請戴上防護手套。
- ▶ 進行會產生礦物鑽渣的鑽孔作業時，應穿戴防護衣，並避免皮膚與鑽渣接觸（pH>9：有腐蝕性）。
- ▶ 避免接觸鹼液或酸液。若不慎接觸，請以清水沖洗。若接觸滲出液體，請以大量清水沖洗眼睛並就醫。

額外適用於UL真空吸塵器

- ▶ 粉塵等級L設備適合吸除乾性非易燃粉塵、液體、木屑以及暴露限值 > 1 mg/m³之危險粉塵。本設備須搭配適合吸除粉塵危險等級的過濾器。

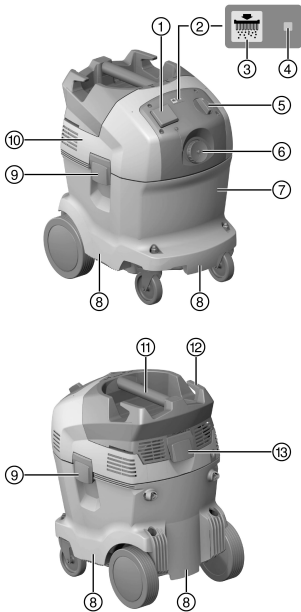
額外適用於UM與UME真空吸塵器

- ▶ 粉塵等級M設備適合吸除乾性非易燃粉塵、液體、木屑以及暴露限值 \geq 0.1mg/m³之危險粉塵。本設備須搭配適合吸除危險等級粉塵的過濾器。



3 說明

3.1 產品總覽



- ① 電子機具插座
- ② 自動濾芯清潔
- ③ 「濾芯清潔ON/OFF」按鈕（僅UL與UME）
- ④ 「自動濾芯清潔系統」狀態指示燈
- ⑤ 控制開關
- ⑥ 進氣安裝
- ⑦ 廢棄材料容器
- ⑧ 握把凹槽
- ⑨ 扣鉤
- ⑩ 吸塵頭
- ⑪ 握把
- ⑫ 電源線掛鉤
- ⑬ 過濾蓋扣鉤

3.2 用途

此處所述產品為通用的商用型工業級真空吸塵器。可用於濕式或乾式應用。
本產品不可用於清潔人體或動物。禁止在水中使用本設備。

警告

健康風險！ U型真空吸塵器不適合用於吸除有害粉塵。

▶ 請勿使用這些真空吸塵器型號吸除有害粉塵。

- ▶ 在開始使用產品之前，請先瞭解正確的操作程序和任何與您要處理之物質相關的危險資訊，以及這些材料可如何安全地處置。
- ▶ 本產品不可以於自動或半自動系統中連續操作。
- ▶ 為降低受傷的危險，僅可用Hilti原廠機具及配件工具。
- ▶ 使用防靜電吸塵軟管可防止靜電效應。
- ▶ 勿吸除可能刺穿集塵袋並導致人員受傷的物件或材料（例如尖銳或鋒利的物件）。
- ▶ 勿踩踏本產品（勿作為梯子）。

本產品適合以下商業應用：

- 收集由Hilti鑽石研磨機、鑽石切割機、電鎚鑽與使用乾式切割岩心鑽頭的岩心鑽孔機具所產生的大量粉塵。
- 吸除Hilti鑽石岩心鑽頭或Hilti鑽石電鋸所產生的鑽渣（礦材）及溫度 < 60 °C (140 °F) 的液體。
- 吸除溫度 < 60 °C (140 °F) 的油或液體。
- 牆壁或地板表面的濕式及 / 或乾式清潔。

額外適用於UL真空吸塵器

吸除乾性、不易燃之粉塵、液體、木屑及暴露限值 > 1 mg/m³（粉塵等級L）之危險粉塵。

額外適用於UM與UME真空吸塵器

吸除乾性、不易燃之粉塵、液體、木屑及暴露限值 ≥ 0.1 mg/m³（粉塵等級L）之危險粉塵。



額外適用於UL、UM與UME真空吸塵器

使用真空吸塵器時當排出的氣體可能會回到室內時，必須確保室內有足夠的換氣率。請遵守國家法律。

3.3 可能發生的誤用

- 當工業真空吸塵器側放時請勿操作。
- 請勿使用工業真空吸塵器吸除可能有爆炸危險的物質、發熱、燃燒或易燃的物質或腐蝕性粉塵（如鎂或鋁質粉塵等等）（木屑或木片除外）。
- 請勿使用工業真空吸塵器吸除易燃液體（如汽油、溶劑、冷卻液和潤滑油等）。
- 勿在會危害人體健康的基材（例如：石綿）上作業。

3.4 配備及數量

濕式 / 乾式真空吸塵器含濾芯、吸塵軟管附可轉式連接頭（位於真空吸塵器端）及配件用接頭、PE VC 20/40塑膠集塵袋、操作手冊。

3.5 警示音


UM與UME真空吸塵器會發出警示音。此警示音會在軟管中的空氣速度低於20 m/s時發出。為確保能正確發出警示音，請務必將軟管直徑設定為使用之吸塵軟管的直徑。

3.6 自動濾芯清潔

本真空吸塵器所配備的自動濾芯清潔系統，可移除大部分黏附於濾芯上的粉塵。按下「自動濾芯清潔ON/OFF」按鈕便可以關閉自動濾芯清潔系統，再按一下可以重新開啟。

狀態	意義
LED亮起。	• 濾芯清潔系統已啟動。
LED未亮起。	• 濾芯清潔系統未啟用。

每當真空吸塵器開啟時，濾芯清潔系統便會自動開啟。會以氣流自動清潔濾芯（可清楚聽見風動聲）。

 為確保在系統應用（尤其研磨與砂磨、切割與縫等）或在吸除大量粉塵時能持續達到高吸塵性能，請務必啟動濾芯清潔系統。
濾芯清潔系統僅在有連接吸塵軟管時才能運作。

3.7 使用說明

配件與使用方式

配件	適用類型
PE VC 20合成集塵袋 (203854)	進行礦材作業，濕式及乾式
PE VC 40合成集塵袋 (203852)	進行礦材作業，濕式及乾式
VC 20紙質集塵袋 (203858)	進行木材作業
VC 40紙質集塵袋 (203856)	進行木材作業
VC 20/40乾式濾芯 (2121386)	乾式
VC 20/40通用濾芯 (2121387)	通用、濕式及乾式
VC 20/40效能型濾芯 (2121388)	重度使用、濕式及乾式
吸塵軟管，27 x 3.5 m AS	濕式及乾式
吸塵軟管，36 mm	主要用於濕式，不適用於粉塵
吸塵軟管，36 x 5 m AS	濕式及乾式

- ▶ 使用UM與UME型的真空吸塵器時，請務必使用塑膠或紙製集塵袋。



4 技術資料

4.1 乾 / 濕兩用真空吸塵器

	VC 20	VC 40
規格 (長 x 寬 x 高, 以mm為單位)	505 x 380 x 500	505 x 380 x 610
重量 (依據EPTA程序01)	13.0 kg	14.7 kg
容器容量	21 ℓ	36 ℓ
有效粉塵容量	23 kg	40 kg
水容量	13.5 ℓ	25 ℓ
操作溫度	-10 °C ... 40 °C	-10 °C ... 40 °C
自動濾芯清潔, 全部	15 s	15 s
防護等級	I	I
防護等級	IP X4	IP X4
AC頻率	50 Hz ... 60 Hz	50 Hz ... 60 Hz

4.2 額定電壓

i 如果設備由發電機或變壓器供電, 必須至少能提供兩倍於設備額定銘板上標示的額定輸入值電力。發電機或變壓器的操作電壓必須隨時介於設備額定電壓+5 %和-15 %以內。

•/•	100 伏特 [V]	110 伏特 [V]	110 伏特 [V]	200 伏特 [V]
額定功率	1200 瓦特 [W]	1100 瓦特 [W]	1100 瓦特 [W]	950 瓦特 [W]
電子機具內建插座最大負載 (若安裝)	•/•	1600 瓦特 [W]	•/•	•/•
電源連接 (類型)	VCTF 3 x 2.0 mm ²	A07 QQF 3 / 12 AWG	H07 BQF 3G 1.5 mm ²	VCTF 3 x 2.0 mm ²
•/•	220 - 240 伏特 [V]	220 - 240 (CH) 伏特 [V]	220 - 240 (GB) 伏特 [V]	220 - 240 (NZ) 伏特 [V]
額定功率	1200 瓦特 [W]	1200 瓦特 [W]	1200 瓦特 [W]	1200 瓦特 [W]
電子機具內建插座最大負載 (若安裝)	2400 瓦特 [W]	1100 瓦特 [W]	1800 瓦特 [W]	1200 瓦特 [W]
電源連接 (類型)	H07 RNF 3G 1.5 mm ²	H07 RNF 3G 1.5 mm ²	H07 RNF 3G 1.5 mm ²	H07 RNF 3G 1.5 mm ²

4.3 最大容積流速及最大真空吸力

		VC 20-U	VC 20-UL	VC 20-UM	VC 20-UME
最大容積流速 (空氣)	950 W	68 ℓ/s	•/•	•/•	•/•
	1100 W	68 ℓ/s	•/•	•/•	•/•
	1200 W	74 ℓ/s	•/•	•/•	•/•
最大容積流速 (空氣)	1100 W	•/•	138 m ³ /h	138 m ³ /h	138 m ³ /h
	1200 W	•/•	150 m ³ /h	150 m ³ /h	150 m ³ /h
最大部分真空	950 W	235 hPa	•/•	•/•	•/•
	1100 W	230 hPa	209 hPa	209 hPa	209 hPa
	1200 W	253 hPa	253 hPa	253 hPa	253 hPa



		VC 40-U	VC 40-UL	VC 40-UM	VC 40-UME
最大容積流速 (空氣)	950 W	68 l/s	•/•	•/•	•/•
	1100 W	68 l/s	•/•	•/•	•/•
	1200 W	74 l/s	•/•	•/•	•/•
最大容積流速 (空氣)	1100 W	•/•	138 m³/h	138 m³/h	138 m³/h
	1200 W	•/•	150 m³/h	150 m³/h	150 m³/h
最大部分真空	950 W	235 hPa	•/•	•/•	•/•
	1100 W	230 hPa	209 hPa	209 hPa	209 hPa
	1200 W	253 hPa	253 hPa	253 hPa	253 hPa

4.4 噪音和震動資訊 (量測依據EN 60335)

以下資訊適用於所有VC 20與VC 40工業用真空吸塵器。

釋放的音壓級數 (L _{pA})	73 dB(A)
無法判定的音壓級數 (K _{pA})	2.5 dB(A)
震動噪音值	< 2.5 m/s ²

5 延長線的使用

警告

受損的電源線會造成危險！當機具運轉時，如果發現電源線或延長線受損，請勿碰觸。請將電源線插頭自插座拔除。

▶ 請定期檢查設備的電源線，並在發現損壞時，請合格的電力專員更換。

- 僅可使用經認可的延長線，且必須具備足夠的電纜線導體截面積。否則設備運作效能不良且延長線會過熱。
- 請定期檢查延長線是否有損壞。
- 並更換受損的延長線。
- 戶外工作時，僅可使用經認可並標記適合戶外使用的延長線。

針對120V電源電壓建議之最小導體截面積與最大電源線長度

電纜線	AWG 16	AWG 14	AWG 12	AWG 10
電纜線導體截面積	1,31 mm ²	2,08 mm ²	3,31 mm ²	5,26 mm ²
電纜線導體截面積	2,58 kcmil	4,11 kcmil	6,53 kcmil	10,4 kcmil
電纜線長度	25 m	30 m	50 m	100 m
電纜線長度	75 ft	100 ft	150 ft	250 ft

6 使用前注意事項

危險

電力危險。如果真空吸塵器未正確連接至電源，可能會造成致命或嚴重的傷害。

▶ 真空吸塵器僅能連接至妥善接地的電源。

注意

設備運轉失控可能會導致受傷的危險。如果轉輪煞車未咬合，真空吸塵器可能會運轉失控。

▶ 咬合轉輪煞車，使得真空吸塵器可穩固立起。

6.1 初次操作設備

塑膠集塵袋：用於收集無害粉塵類型：

適用於礦物粉塵的塑膠集塵袋或適用木屑的紙質集塵袋：

> 等級M可吸除暴露限值 ≥ 0.1 mg/m³之粉塵類型

> 等級L或M可吸除暴露限值 ≥ 1 mg/m³之粉塵類型



1. 打開兩個扣鉤。
2. 將廢棄材料容器上的真空吸塵器上蓋掀開取出。
3. 取出廢棄材料物容器內的集塵袋並包好。
4. 將真空吸塵器上蓋裝回廢棄材料容器上，然後關上兩個扣鉤。
5. 檢查確認是否已正確裝回真空吸塵器上蓋，以及是否牢固。
6. 將吸塵軟管連接至設備。

6.2 安裝紙質集塵袋收集乾燥木屑



尖銳的物體可能刺穿集塵袋。
確認沒有物體劃破集塵袋。

1. 將電源線插頭拔離插座。
2. 打開兩個扣鉤。
3. 將吸塵頭向上從廢棄材料容器中取出。
4. 將新的紙質集塵袋裝到轉接器中並置入廢棄材料容器中。
5. 將真空吸塵器上蓋裝回廢棄材料容器上。
6. 關上兩個扣鉤。
7. 檢查確認是否已正確裝回真空吸塵器上蓋，以及是否牢固。
8. 將吸塵軟管連接至設備。

6.3 安裝塑膠集塵袋

1. 將電源線插頭拔離插座。
2. 打開兩個扣鉤。
3. 將吸塵頭向上從廢棄材料容器中取出。
4. 將新的塑膠集塵袋（請參閱袋上標示的操作說明）裝入廢棄材料容器內。
5. 將吸塵頭放在廢棄材料容器上並關上兩個扣鉤。

7 操作



警告

有受傷的危險！過濾器系統損壞可能會讓有害粉塵（健康危險）溢出。

- ▶ 在緊急情況下（如過濾器破裂），請關閉真空吸塵器、從插座拔下電源線，並由經過培訓並合格的人員檢查真空吸塵器，確認沒問題後再繼續使用。



危險

有受傷的危險！等級L與等級M真空吸塵器含對人體有害之粉塵。

- ▶ 清空及保養（含集塵容器棄置）作業限由經過訓練且合格之專業人原處理。請穿戴合適的防護配備。
- ▶ 將真空吸塵器從受危險物質污染之區域移出前，請用真空吸塵器將其外表吸乾淨、擦乾淨或放在密封的袋子或容器中。由於設備的所有部分均應視為已受到污染，故在將各零件從危險區域中取出前均必須採取適當措施避免粉塵擴散。
- ▶ 請勿操作未安裝過濾器系統之真空吸塵器。



注意

設備運轉失控可能會導致受傷的危險。如果轉輪煞車未咬合，真空吸塵器可能會運轉失控。

- ▶ 咬合轉輪煞車，使得真空吸塵器可穩固立起。

7.1 設定UM與UME真空吸塵器的軟管直徑

1. 吸除乾燥、非易燃但具暴露限值之粉塵，或吸除木屑或木片時，請針對所使用的吸塵軟管，將軟管直徑設定開關調整至正確的直徑設定。
2. 若您使用本真空吸塵器搭配Hilti空心鑽頭系統，請將開關設定為最小的軟管直徑。

7.2 不使用電子機具電源插座時的操作

1. 在將電源線插入電力插座前，檢查設備的開關是否在「OFF」位置上。
2. 將真空吸塵器電源線插入插座。



3. 將控制開關轉到「ON」的位置。

7.3 使用設備上電源插座時的操作



設備上的電源插座僅可用於直接從真空吸塵器提供電子機具的電源。
務必遵照有關插入電子機具至真空吸塵器插座的操作說明及安全須知。

1. 將真空吸塵器的電源線插頭自插座拔離。
2. 檢查確認電子機具的最大功率是否低於真空吸塵器上插座最大容許輸出功率（請參照操作說明的「技術數據」以及設備電源插座上標示的資訊）。
3. 電源線插入插座之前，應先檢查確認電子機具是否關閉。
4. 將電子機具電源線插入真空吸塵器上的插座。
5. 將真空吸塵器電源線插入插座。
6. 將開關控制旋鈕轉到「AUTO」的位置。
7. 開啟機具。



關閉電子機具後，真空吸塵器將繼續運轉一小段時間，以確保粉塵全部移出吸塵軟管。

7.4 吸除乾燥粉塵



在吸除乾燥粉塵之前（尤其是來自礦材的粉塵），請務必檢查以確保容器內裝入正確的集塵袋。如此一來，您方能輕鬆處置由所真空吸塵器吸除的廢棄材料。

注意

有受傷的危險！如果不使用濾芯，則已吸取的有害材料可能會溢出。

- ▶ 勿使用未安裝濾芯的設備。
- ▶ 檢查濾芯是否乾燥，並安裝了正確類型的集塵袋。

7.5 吸除液體

注意

有受傷的危險！如果不使用濾芯，則已吸取的有害材料可能會溢出。

- ▶ 勿使用未安裝濾芯的設備。
1. 檢查容器水平高度監控系統。→ 頁次 128
 2. 儘可能以不同的濾芯吸除液體。



建議使用Hilti VC 20/40 universal (2121387) 過濾器。

3. 在吸除液體後，開啟兩個扣鉤。
4. 將廢棄材料容器的真空吸塵器上蓋掀開取出，並置於平坦表面，使得濾芯可以充分乾燥。
5. 清空廢棄材料容器並使用水管沖洗。使其乾燥後（用手擦拭），再用刷子清潔電極並清潔濾芯。
6. 讓廢棄材料容器充分乾燥。

7.6 使用真空吸塵器後

1. 關閉電子機具。
2. 將真空吸塵器控制開關轉到「OFF」位置。
3. 將真空吸塵器的電源線插頭自插座拔離。
4. 捲起電源線並掛在掛鉤上。
5. 清空容器，用濕布擦拭並清潔設備。
6. 捲起吸塵軟管。
7. 將真空吸塵器貯放在安全、乾燥且未經授權使用者無法取得的地方。



7.7 清空廢棄材料容器中的乾燥粉塵

1. 請將電源線插頭自插座拔除。
2. 將廢棄材料容器的真空吸塵器上蓋掀開取出，並置於平坦表面。
 - ↳ 適用於UM與UME真空吸塵器
 - ▶ 將廢棄材料容器中的集塵袋取出。
 - ↳ 適用於U與UL真空吸塵器
 - ▶ 從廢棄材料容器卸下集塵袋，或利用凹槽握住容器，並倒出內容物將其清空。
3. 接著將真空吸塵器上蓋裝回廢棄材料容器上，然後關上兩個扣鉤。

7.8 於未安裝集塵袋時（吸除液體）清空廢棄材料容器

1. 將電源線插頭拔離插座。
2. 將廢棄材料容器的真空吸塵器上蓋掀開取出，並置於平坦表面。
3. 利用凹槽握住廢棄材料容器，並倒出內容物將其清空。
4. 用布擦拭廢棄材料容器的邊緣。
5. 將真空吸塵器上蓋裝回廢棄材料容器上，然後關上兩個扣鉤。

8 維護及保養

8.1 設備的維護及保養



警告

電力危險。 損壞的電子零件會造成嚴重的人員傷害。

- ▶ 電子零件應僅由專業電氣人員維修。
- ▶ 請保持該設備清潔，尤其是握把表面，並避免與油脂及潤滑劑接觸。勿使用含矽膠的清潔劑或亮光劑。
- ▶ 通風口阻塞時請勿使用真空吸塵器。請使用乾燥的刷子小心清潔通風口。請勿讓外物進入設備內部。
- ▶ 定期使用微濕抹布清潔設備外部。請勿使用噴霧系統或加壓蒸汽 / 噴水或流水系統來清潔，這樣可能會對設備的電力安全性造成不良影響。

適用於UL、UM與UME真空吸塵器

進行設備清潔及保養時，應避免保養人員及他人遭受危險。

- ▶ 使用強制過濾通風系統。
- ▶ 請配戴個人防護裝備。
- ▶ 清潔保養範圍時，勿讓危險物質逸散至週遭環境。
- ▶ 將設備移出已受危險物質污染區域前，應以吸塵器吸除設備外表面物質、擦拭乾淨或是密封於適當容器（如大型塑膠袋）內。這將會避免上面所積著的危險粉塵逸散各處。
- ▶ 執行維護或維修後，已受污染而無法完全清潔的部件必須全部包入密封袋中，並根據適用的廢棄物處置規定進行處置。
- ▶ 本設備每年必須至少一次送交Hilti維修中心或由專業人員進行技術性檢測，檢查例如過濾器是否損壞、漏氣，以及各控制裝置是否能正常運作。

8.2 自動濾芯清潔



勿嘗試將濾芯撞擊堅硬物品；勿使用尖銳器具清潔。這會縮短濾芯使用壽命。
勿使用壓縮空氣清潔濾芯。這可能造成過濾材料破損。

濾芯的狀態會隨使用而劣化。

- ▶ 請至少每六個月更換一次濾芯。
- ▶ 不過，若密集使用，則應更頻繁更換濾芯。

8.3 更換濾芯

1. 將電源線插頭拔離插座。
2. 打開過濾蓋扣鉤。
3. 打開過濾蓋。
4. 於握把處抓穩濾芯，小心卸下。
5. 用抹布擦拭密封表面。
6. 安裝新的濾芯。



7. 翻轉頂蓋扣鉤，關閉過濾蓋。
8. 關閉過濾蓋扣鉤。

8.4 檢查容器水平高度監控系統

1. 咬合轉輪煞車，使得真空吸塵器可穩固立起。
2. 將電源線插頭拔離插座。
3. 打開兩個扣鉤。
4. 將廢棄材料容器的真空吸塵器上蓋掀開取出，並置於平坦表面。
5. 檢查斷電系統接觸部位並視需求（如有髒污）以刷具加以清潔。
6. 檢查真空吸塵器上蓋密封處，並視需要用抹布加以清潔。
7. 將真空吸塵器上蓋裝回廢棄材料容器上，然後關上兩個扣鉤。

8.5 清潔與維修後的檢查

1. 清潔及維護工作完成後，應檢查確認真空吸塵器是否已正確組裝並能正常運作。
2. 測試每一項功能。

9 搬運和貯放

9.1 搬運

勿搬運裝滿廢棄材料的設備。

設備不得直接由起重機抬起。

- ▶ 將電源調節器（如適用）或鬆脫的配件工具從底座上拆下。
- ▶ 將設備送至他處前必須清空容器內的廢棄材料。
- ▶ 使用設備吸除液體後，請勿翻倒設備或在搬運時側放設備。
- ▶ 請使用錐形套將軟管的兩端連接起來以便搬運。

適用於UM與UME真空吸塵器



危險

有受傷的危險！吸除的有害物質可能會從吸塵軟管插座溢出。

- ▶ 搬運設備前和不使用時，請關上M級真空吸塵器軟管入口插座的蓋子。

9.2 設備的貯放

- ▶ 將真空吸塵器貯放在安全、乾燥且未經授權使用者無法取得的地方。

10 故障排除

若您遇到未列出的問題或是無法自行排除的問題，請聯絡Hilti維修中心。

10.1 故障排除表

故障	可能原因	解決方法
UM與UME真空吸塵器：音效警示訊號（吸力下降）	集塵袋已滿。	▶ 更換集塵袋。
	髒污物或粉塵堵塞過濾器。	▶ 若自動過濾器清潔系統停用，請將其啟用並讓真空吸塵器運轉30秒。
	機具上的吸塵軟管或集塵罩阻塞。	▶ 清潔吸塵軟管與集塵罩。
設備中的粉塵飛出。	軟管直徑設定不正確。	▶ 設定軟管直徑。 ▶ 針對使用空心鑽頭的應用，請選擇直徑為15 mm的軟管。
	過濾器未正確安裝。	▶ 再次正確安裝過濾器。
不經意開啟，或使用者遭電擊（靜電放電）時，設備會自行關閉。	濾芯已損壞。	▶ 安裝新的濾芯。
	靜電荷未被導離 - 設備所連接的電源插座未接地。	▶ 將設備連接至接地電源插座並使用防靜電吸塵軟管。



故障	可能原因	解決方法
設備無法在短時間內自行啟動或關閉。	水位斷電系統已啟用。	▶ 使用刷具清潔感測器及其周圍區域。
馬達不會重新啟動。	市電斷路器跳開。	▶ 重新設定斷路器。 ▶ 如果斷路器又再度跳開，找出電流過載的原因。
	廢棄材料容器已滿。	▶ 關閉設備並清空廢棄材料容器。
	馬達過熱保護斷電系統已啟動。	▶ 關閉設備，冷卻5分鐘。 ▶ 若馬達未啟動，請將本設備送回Hilti維修中心。
	馬達因高溫斷電系統而反復關閉。	▶ 請使用乾燥的刷子小心清潔通風口。
馬達設定在「AUTO」時不運轉。	設備故障或未正確插入主電源。	▶ 確認電源線插頭完全已插入電源，並確認機具可正常運作。
自動濾芯清潔系統無法運作。	未連接任何吸塵軟管。	▶ 連接吸塵軟管。

11 廢棄設備處置

Hilti產品所採用的材料，絕大部分都可回收再利用。進行回收前，必須先將材料正確分類。在許多國家中，您可以將舊機具及設備送回Hilti進行回收。詳情請洽Hilti維修中心，或當地Hilti代理商。

依據歐盟指令關於電子及電器設備廢棄物的規範，以及國家相關施行法規規定，已達使用年限的電子設備必須分類收集，並交由環保回收機構處理。



- ▶ 請勿將電器與一般家庭廢棄物一同回收！

泥漿鑽孔機

對於鑽渣未有適當的預先處理，而直接流入河川、湖泊或下水道系統時，則可能造成環保問題。

- ▶ 應向當地公家機關詢問目前的相關法規資訊。

我們的建議如下：

- ▶ 收集鑽渣（例如，使用濕式真空吸塵器）。
- ▶ 讓鑽渣沉澱，並將固態鑽渣置於建築廢棄物處理工地中（經過沈澱可加速分離的過程）。
- ▶ 剩餘的廢水（鹼性，pH值大於7）應以酸性液或大量水中和，才能排入下水道系統。

鑽渣

- ▶ 由真空吸塵器所收集的鑽渣必須根據適用的國家法律規定處置。

12 製造商保固

- ▶ 如果您對於保固條件有任何問題，請聯絡當地Hilti代理商。



1 文档信息

1.1 关于该文档

- 首次操作或使用前，请先阅读本文档。这是安全、无故障地操作和使用产品的前提条件。
- 请遵守本文档中以及产品上的安全说明和警告。
- 请务必将本操作说明与本产品保存在一起，确保将操作说明随产品一起交给他人。

1.2 符号说明

1.2.1 警告

警告是为了提醒您在处理或使用此产品时会发生的危险。使用以下信号词：



危险！

- ▶ 用于让人们能够注意到会导致严重身体伤害或致命的迫近危险。



警告！

- ▶ 用于提醒人们注意可能导致严重或致命伤害的潜在危险。



小心！

- ▶ 用于提醒人们注意可能导致轻微人身伤害、设备损坏或其他财产损失的潜在危险情形。

1.2.2 文档中的符号

我们的文档中使用以下符号：

	请在使用之前阅读操作说明
	使用说明和其他有用信息
	处理可回收材料
	不得将电气设备和电池作为生活垃圾处置

1.2.3 图示中的符号

我们的图示中使用以下符号：

	这些编号指本操作说明开始处的相应图示。
	图示中的编号反映操作顺序，可能与文本中描述的步骤不同。
	概览图示中使用了项目参考号，该参考号指的是产品概览部分中使用的编号。
	这些符号旨在提醒您在操作本产品时要特别注意的某些要点。
	无线数据传输

1.2.4 附加符号

产品上使用下列符号：

	不允许使用起重机进行运输。
--	---------------



1.3 与产品相关的符号

1.3.1 产品上的标志

产品上使用下列符号：

	警告：高温表面
	不允许使用起重机进行运输。

1.4 本产品上的特殊标签

适用于 UL 真空吸尘器



警告：本设备含有危险粉尘。排空和维护以及拆卸集尘袋的操作只能由熟悉本设备的人员在佩戴适当防护装备的情况下执行。安装完整的过滤系统之前，不要打开本设备。

适用于 UM 和 UME 真空吸尘器



警告：本设备含有危险粉尘。排空和维护以及拆卸集尘袋的操作只能由熟悉本设备的人员在佩戴适当防护装备的情况下执行。只有安装整个过滤系统并测试体积流量控制功能后，才可打开本设备。

1.5 产品信息

HILTI 产品经设计适用于专业用户，只有经过专门训练的授权人员才允许操作、维修和维护本产品。必须将任何可能的危险专门告知该人员。不按照既定用途使用或由未经培训的人员不正确地使用本产品及其辅助设备可能会带来危险。

型号名称和序列号印在铭牌上。

- ▶ 在下表中填写序列号。在联系 Hilti 维修中心或当地 Hilti 机构询问产品时，将要求您提供产品的详细信息。

产品信息

湿式/干式真空吸尘器	VC 20-U VC 20-UL VC 20-UM VC 20-UME VC 40-U VC 40-UL VC 40-UM VC 40-UME
分代号	02
序列号	

1.6 符合性声明

按照我们单方面的责任，我们声明本产品符合下列适用指令和标准：一致性声明副本位于本文档结尾处。技术文档在此处归档：

Hilti Entwicklungsgesellschaft mbH | Tool Certification | Hiltistrasse 6 | 86916 Kaufering, Germany

2 安全

2.1 一般安全说明

除本操作说明各章节所列出的安全说明之外，还必须始终严格遵守以下几点。

- ▶ 请阅读所有操作说明。不遵守下列所有操作说明可能会导致电击、火灾和/或严重人身伤害。
- ▶ 如果将设备与电动工具配合使用，请阅读并遵守电动工具操作说明以及所有警告事项。
- ▶ 不允许改装设备。



- ▶ 使用正确的设备进行工作。不要将设备用于其指定用途以外的场合。只能在没有故障的情况下按照操作说明使用本设备。
- ▶ 开始使用设备作业前，应了解如何正确操作设备、设备吸取的材料所涉及的任何危害以及如何处置这些材料。
- ▶ 应考虑周围环境的影响。不要将工具用于存在火灾或爆炸危险的场合。
- ▶ 只能由熟悉本产品的人员、接受过如何安全使用本产品的相关培训的人员以及了解由此带来的危险的人员使用本设备。设备并非为未成年人使用设计。
- ▶ 当不使用时，请将机器存放在安全的地方。当不使用时，必须将设备存放在干燥、高的位置或锁止，以防儿童接触。

2.2 人身安全

- ▶ 保持警觉，注意您正在进行的工作，并在使用产品时利用您自己的判断力。当您感到疲劳或受到毒品、酒精或药物的影响时，不要使用本真空吸尘器。操作本设备时，瞬间的分心都可能导致严重的人身伤害。
- ▶ 当使用设备或执行维护作业时，用户和附近的任何其它人员都必须穿戴适当的护目装置、安全帽、护耳装置、防护手套、安全靴和呼吸防护装置。
- ▶ 拉紧滚轮制动器，使真空吸尘器牢固站立。如果滚轮制动器分离，则真空吸尘器可能失控滑离。
- ▶ 如果提供有用于连接除尘和集尘设施的装置，应确保将它们连接好并正确使用。使用真空吸尘器可减少尘屑引起的危险。

2.3 设备的使用和维护

- ▶ 切勿在无人看守的情况下离开设备。
- ▶ 当吸取危险粉尘时（尤其在将设备配合产生粉尘的电动工具使用时），不要停用过滤器清洁系统。
- ▶ 对设备采取防冻保护措施。
- ▶ 根据说明使用刷子定期清洁水位限制装置，并检查其是否存在损坏的迹象。
- ▶ 安装真空吸尘器顶部时，小心避免夹到手指或损坏电源线。否则会造成人身伤害或损坏危险。
- ▶ 检查设备及其配件是否有任何损坏。必须仔细检查防护装置、安全装置以及任何已经轻微损坏的部件，以确保所有部件都可无故障地按照预定目的工作。检查并确认运动部件无故障、无卡滞地工作，且没有部件损坏。为了确保设备无故障地工作，所有部件都必须正确安装且必须满足必要的要求。
- ▶ 只能由合格的维修人员使用原装喜利得备件对设备进行维修。因此，必须维护设备的安全性。
- ▶ 在清洁和维护作业以及更换过滤器或配件之前（休息期间），务必将电源线从电源插座上拔下。该预防性安全措施可减少设备意外启动的危险。
- ▶ 切勿通过电源线将真空吸尘器拉到新的工作位置。不要使真空吸尘器的滚轮辗过电源线。
- ▶ 不要用吊车运输设备。

此外还适用于 UM 和 UME 真空吸尘器

- ▶ 在运输设备之前以及设备不使用期间，用盖封闭软管进口插口。

2.4 电气安全

- ▶ 设备电源线上的插头必须与插座匹配。不得以任何方式更换插头。对于接地的设备，不要使用适配器插头。未经改装的插头和相配的插座将减少电击危险。
- ▶ 将插头插入合适的已接地电源插座中，该电源插座应正确且安全地安装，并且符合当地规定。如果对电源插座接地连接的有效性存有怀疑，请由合格的专家对其进行检查。
- ▶ 避免人体接触接地表面，如管道、散热片、炊具、炉灶和冰箱。如果您的身体接地，会增加电击危险。
- ▶ 不要让设备暴露在雨水或潮湿环境中。设备进水会增加电击危险。
- ▶ 检查以确保电源线未位于水坑中。
- ▶ 定期检查设备的电源线，如果发现损坏，由 Hilti 维修部门进行更换。定期检查加长电缆，如果发现损坏，则更换它们。
- ▶ 工作时，不要接触已损坏的电源线或加长电缆。将电源线插头从电源插座上断开。损坏的电源线或加长电缆会导致电击危险。
- ▶ 电源线只能本操作说明中指定型号的电源线进行替换。
- ▶ 不要滥用电缆。切勿使用电缆运送、拉动或拔出设备。保持电缆远离高温、油、锋利边缘或运动部件。电缆损坏或缠绕会增加电击危险。
- ▶ 当在户外操作电气设备时，只能使用经认可适合户外操作的加长电缆。使用适合户外使用的加长电缆可降低电击风险。
- ▶ 一旦电源中断，则关闭设备并将电源线从电源插座中拔出。
- ▶ 仅将设备的电源插座用于本操作说明中规定的用途。



- ▶ 切勿在设备脏污或潮湿时对其进行操作。在不利条件下，吸附到设备表面的灰尘（特别是导电材料产生的灰尘）或湿气会导致电击危险。因此，必须由 Hilti 服务部门定期检查设备是否有脏污或灰尘，尤其是频繁用于导电材料时。

2.5 工作场所

- ▶ 确保工作场所保持良好照明。
- ▶ 确保工作场所良好通风。在通风不良的工作场所下灰尘极易损害人体健康。
- ▶ 保持工作场所整洁。所有可能导致伤害的物体都应从工作区域中清除出去。工作场所不整洁可能会导致事故。
- ▶ 不要在爆炸性环境中使用设备，例如有易燃液体、气体或灰尘。电气设备产生的火花可能会引燃这些粉尘或烟雾。
- ▶ 在阶梯上工作时，应格外小心。

2.6 所吸取的材料

- ▶ 不要使用本设备吸取易燃或爆炸性粉尘（镁粉或铝粉等）或危害健康的粉尘。不要使用本设备吸取温度高于 60 °C (140 °F) 的材料（例如灼热的烟蒂、热灰）。
- ▶ 不要使用设备吸取易燃、爆炸性或腐蚀性液体（冷却液和润滑油、汽油、溶剂、酸液 (pH < 5)、碱液 (pH > 12.5) 等）。
- ▶ 如果有泡沫或液体从设备中溢出，则立即关闭设备。
- ▶ 使用本设备吸取温度不超过 60 °C (140 °F) 的热材料时，戴上防护手套。
- ▶ 收集矿物钻孔泥浆时，穿上防护服，并避免皮肤接触到泥浆 (pH > 9：腐蚀性)。
- ▶ 避免与碱性或酸性液体相接触。如果意外接触到液体，应用水冲洗。若液体接触到眼睛，应立即用大量清水冲洗，并立即就医。

此外还适用于 **UL 真空吸尘器**

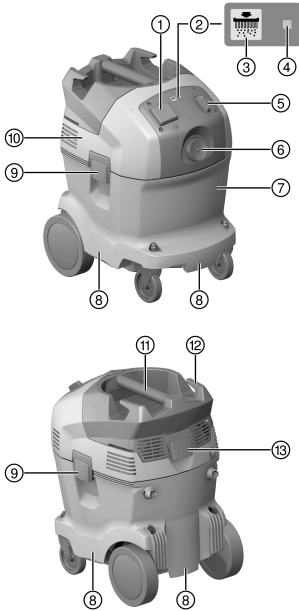
- ▶ L 级粉尘设备适用于吸取干燥的不易燃粉尘、液体、木屑以及暴露限值 > 1 mg/m³ 的危险粉尘。根据待吸取粉尘的危险等级，本设备必须配备适当的过滤器。

此外还适用于 **UM 和 UME 真空吸尘器**

- ▶ M 级粉尘设备适用于吸取干燥且不易燃的粉尘、液体、木屑以及暴露限值 \geq 0.1 mg/m³ 的危险粉尘。根据待吸取粉尘的危险等级，本设备必须配备适当的过滤器。



3.1 产品概述



- ① 电动工具的电源插座
- ② 过滤器自动清洁
- ③ “过滤器清洁打开/关闭”按钮 (仅 UL 和 UME)
- ④ “过滤器自动清洁系统”状态指示灯
- ⑤ 控制开关
- ⑥ 进口接头
- ⑦ 废料容器
- ⑧ 凹进抓握处
- ⑨ 锁扣
- ⑩ 吸头
- ⑪ 把手
- ⑫ 电源线钩
- ⑬ 过滤器盖锁扣

3.2 预期用途

此处所述的产品是为通用的商业用途设计的工业用真空吸尘器，既可用于湿式应用，又可用于干式应用。严禁使用本产品对人或动物进行清理。严禁在水下使用。



健康危害！ U 型真空吸尘器不适用于吸取有害粉尘。

- ▶ 不要使用这些型号的真空吸尘器吸取有害粉尘。
- ▶ 开始使用本产品之前，请先了解如何正确操作本产品、与您将使用的材料有关的任何危险以及如何安全地处置这些材料。
- ▶ 不要将本产品用于自动或半自动系统中的连续静止操作。
- ▶ 为了降低伤害风险，请仅使用 **Hilti** 原装配件和配套工具。
- ▶ 使用抗静电吸尘软管，以免出现静电效应。
- ▶ 不要吸取可能刺穿集尘袋而造成伤害的物体或材料 (例如尖头或锋利物体)。
- ▶ 不要站立在本产品上 (不要用其替代梯子)。

本产品适用于商业用途中的以下应用：

- 收集 **Hilti** 金刚石磨具、金刚石刀具、电锤以及使用干切削取芯钻头的取芯钻机产生的大量粉尘。
- 吸取 **Hilti** 金刚石取芯钻头或 **Hilti** 金刚石锯产生的钻孔泥浆 (矿物材料) 以及温度不超过 60 °C (140 °F) 的液体。
- 吸取温度不超过 60 °C (140 °F) 的油或液体物质。
- 对墙面和地板表面进行湿式和/或干式清洁。

此外还适用于 **UL 真空吸尘器**

吸取干燥的不易燃粉尘、液体、木屑以及暴露限值 > 1 mg/m³ 的危险粉尘 (L 级粉尘)。

此外还适用于 **UM 和 UME 真空吸尘器**

吸取干燥的不易燃粉尘、液体、木屑以及暴露限值 ≥ 0.1 mg/m³ 的危险粉尘 (M 级粉尘)。



此外还适用于 UL、UM 和 UME 真空吸尘器

使用真空吸尘器时，在排出的空气会回到房间的情况下，必须预先采取措施确保房间内有足够高的换气率 (L)。请遵守国家规定。

3.3 可能的误用

- 不要在本工业用真空吸尘器侧置时对其进行操作。
- 不要使用本工业用真空吸尘器吸取存在爆炸、灼热、燃烧风险的物质或易燃物质或腐蚀性粉尘 (例如镁粉或铝粉等) (例外：木屑或刨花)。
- 不要使用本工业用真空吸尘器吸取易燃液体 (例如汽油、溶剂、冷却液和润滑剂等)。
- 严禁使用对健康有害的材料 (例如石棉)。

3.4 供货提供的部件

湿式/干式真空吸尘器，包括滤芯、带 (真空吸尘器端) 可旋转接头和配件接头的吸尘软管总成、PE VC 20/40 塑料集尘袋、操作说明。

3.5 警告音

UM 和 UME 真空吸尘器会发出可听警告音。该警告音在软管中的空气速度降至 20 m/s 以下时发出。为了确保正确发出警告音，必须将软管直径设置为所用吸尘软管的直径。

3.6 过滤器自动清洁

本真空吸尘器配备一个过滤器自动清洁系统，该系统能够清除附着在滤芯上的大部分粉尘。按下“过滤器自动清洁打开/关闭”按钮可关闭过滤器清洁系统，再次按下该按钮可重新打开该系统。

状态	含义
LED 亮起。	• 过滤器清洁系统启用。
LED 不亮。	• 过滤器清洁系统未启用。

每次打开真空吸尘器时，过滤器清洁系统自动启动。滤芯利用气流自动进行清洁 (会听到脉冲噪音)。



为了在系统应用 (特别是磨削和砂磨、切割和开槽) 中或吸取大量粉尘时连续获得高吸尘性能，过滤器清洁系统必须保持启用。

过滤器清洁系统仅在连接吸尘软管后工作。

3.7 使用说明

配件及其使用方法

配件	使用类型
PE VC 20 合成集尘袋 (203854)	处理矿物材料，干式和湿式
PE VC 40 合成集尘袋 (203852)	处理矿物材料，干式和湿式
VC 20 纸质集尘袋 (203858)	处理木屑
VC 40 纸质集尘袋 (203856)	处理木屑
VC 20/40 干式过滤器 (2121386)	干式
VC 20/40 通用过滤器 (2121387)	普通使用，干式和湿式
VC 20/40 高性能过滤器 (2121388)	重度使用，干式和湿式
吸尘软管，27 x 3.5 m AS	干式和湿式
吸尘软管，36 mm	主要湿式，不适用于粉尘
吸尘软管，36 x 5 m AS	干式和湿式

- ▶ 请务必将塑料或纸质集尘袋与 UM 和 UME 型真空吸尘器一起使用。



4 技术数据

4.1 湿式/干式真空吸尘器

	VC 20	VC 40
尺寸 (长 x 宽 x 高, 单位: mm)	505 x 380 x 500	505 x 380 x 610
重量 (按照 EPTA 程序 01)	13.0 kg	14.7 kg
尘箱容量	21 ℓ	36 ℓ
有效粉尘量	23 kg	40 kg
水容量	13.5 ℓ	25 ℓ
工作温度	-10 °C ... 40 °C	-10 °C ... 40 °C
过滤器自动清洁, 所有	15 s	15 s
保护等级	I	I
保护等级	IP X4	IP X4
交流频率	50 Hz ... 60 Hz	50 Hz ... 60 Hz

4.2 额定电压

通过发电机或变压器为本设备供电时, 发电机或变压器的输出功率至少必须为本设备铭牌上所示额定输入功率的两倍。变压器或发电机的工作电压必须始终保持在在本设备额定电压 +5% 至 -15% 的范围内。

•/•	100 伏特 [V]	110 伏特 [V]	110 伏特 [V]	200 伏特 [V]
额定输入功率	1200 瓦特 [W]	1100 瓦特 [W]	1100 瓦特 [W]	950 瓦特 [W]
电动工具集成式电源插座 (如有安装) 上的最大负载	•/•	1600 瓦特 [W]	•/•	•/•
电源连接 (类型)	VCTF 3 x 2.0 mm ²	A07 QQF 3/12 AWG	H07 BQF 3G 1.5 mm ²	VCTF 3 x 2.0 mm ²
•/•	220 - 240 伏特 [V]	220 - 240 (中 国) 伏特 [V]	220 - 240 (英 国) 伏特 [V]	220 - 240 (新 西兰) 伏特 [V]
额定输入功率	1200 瓦特 [W]	1200 瓦特 [W]	1200 瓦特 [W]	1200 瓦特 [W]
电动工具集成式电源插座 (如有安装) 上的最大负载	2400 瓦特 [W]	1100 瓦特 [W]	1800 瓦特 [W]	1200 瓦特 [W]
电源连接 (类型)	H07 RNF 3G 1.5 mm ²	H07 RNF 3G 1.5 mm ²	H07 RNF 3G 1.5 mm ²	H07 RNF 3G 1.5 mm ²

4.3 最大体积流量和最大真空

		VC 20-U	VC 20-UL	VC 20-UM	VC 20-UME
最大体积流量 (空气)	950 W	68 ℓ/s	•/•	•/•	•/•
	1100 W	68 ℓ/s	•/•	•/•	•/•
	1200 W	74 ℓ/s	•/•	•/•	•/•
最大体积流量 (空气)	1100 W	•/•	138 m ³ /h	138 m ³ /h	138 m ³ /h
	1200 W	•/•	150 m ³ /h	150 m ³ /h	150 m ³ /h
最大部分真空	950 W	235 hPa	•/•	•/•	•/•
	1100 W	230 hPa	209 hPa	209 hPa	209 hPa
	1200 W	253 hPa	253 hPa	253 hPa	253 hPa



		VC 40-U	VC 40-UL	VC 40-UM	VC 40-UME
最大体积流量 (空气)	950 W	68 ℓ/s	•/•	•/•	•/•
	1100 W	68 ℓ/s	•/•	•/•	•/•
	1200 W	74 ℓ/s	•/•	•/•	•/•
最大体积流量 (空气)	1100 W	•/•	138 m³/h	138 m³/h	138 m³/h
	1200 W	•/•	150 m³/h	150 m³/h	150 m³/h
最大部分真空	950 W	235 hPa	•/•	•/•	•/•
	1100 W	230 hPa	209 hPa	209 hPa	209 hPa
	1200 W	253 hPa	253 hPa	253 hPa	253 hPa

4.4 噪声和振动信息 (按照 EN 60335 标准测量)

以下信息适用于所有 VC 20 和 VC 40 工业用真空吸尘器。

排放声压级 (L_{pA})	73 dB(A)
声压级的不确定性 (K_{pA})	2.5 dB(A)
振动排放值	< 2.5 m/s ²

5 加长电缆的使用



-警告-

损坏的电源线会构成危险！在工作时，不要接触已损坏的电源线或加长电缆。将电源线插头从电源插座上断开。

- ▶ 定期检查设备的电源线，如果发现损坏，则让有资格的专业人员进行更换。
- 只能使用经批准适用于当前应用场合的加长电缆类型，且导体要有合适的截面积。否则，设备性能可能受影响且电缆可能过热。
- 定期检查加长电缆是否损坏。
- 更换已损坏的加长电缆。
- 当在户外工作时，应只能使用具有相应标记且准许户外使用的加长电缆。

120 V 电源电压的推荐最小导线截面和最大电源线长度

电源线	AWG 16	AWG 14	AWG 12	AWG 10
导体截面积	1,31 mm ²	2,08 mm ²	3,31 mm ²	5,26 mm ²
导体截面积	2,58 kcmil	4,11 kcmil	6,53 kcmil	10,4 kcmil
电源线长度	25 m	30 m	50 m	100 m
电源线长度	75 ft	100 ft	150 ft	250 ft

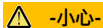
6 使用前



-危险-

电气危险。未将本真空吸尘器正确连接至电源可能导致严重或致命伤害。

- ▶ 只能将本真空吸尘器连接至正确接地的电源。



-小心-

本设备失控滑离会带来伤害风险。如果未拉紧滚轮制动器，则真空吸尘器可能失控滑离。

- ▶ 拉紧滚轮制动器，使真空吸尘器牢固站立。

6.1 首次使用设备



塑料集尘袋：用于收集无害型粉尘：

用于收集矿物性粉尘的塑料集尘袋或用于收集木屑的纸质集尘袋：

- > M 级用于吸取暴露限值 ≥ 0.1 mg/m³ 的粉尘
- > L 级或 M 级用于吸取暴露限值 ≥ 1 mg/m³ 的粉尘



1. 打开两个锁扣。
2. 将真空吸尘器顶部从废料容器上抬高。
3. 从废料容器中取出配件和包装。
4. 将真空吸尘器顶部安装到废料容器上，然后合上两个锁扣。
5. 检查以确保真空吸尘器顶部已正确安装并固定。
6. 将吸尘软管连接到设备。

6.2 安装用于吸取木屑的纸质集尘袋 2



尖锐的物体可能刺穿集尘袋。
检查并确保没有物体刺穿集尘袋。

1. 将电源线插头从电源插座上断开。
2. 打开两个锁扣。
3. 从废料容器中提起吸头。
4. 将新的纸质集尘袋安装到转接器中，然后将这些部件插入废料容器中。
5. 将真空吸尘器顶部安装到废料容器上。
6. 合上两个锁扣。
7. 检查以确保真空吸尘器顶部已正确安装并固定。
8. 将吸尘软管连接到设备。

6.3 安装塑料集尘袋 2

1. 将电源线插头从电源插座上断开。
2. 打开两个锁扣。
3. 从废料容器中提起吸头。
4. 在废料容器中安装新的塑料集尘袋 (请参见其上所印的说明)。
5. 将吸头安装到废料容器上，然后闭合两个锁扣。

7 操作

-警告-

人身伤害的危险。过滤系统损坏可能使有害粉尘漏出 (健康危害)。

- ▶ 在紧急情况下 (例如过滤器破裂)，关闭真空吸尘器，从电源插座中拔出电源线插头，请经过培训并且具备相应资格的人员对真空吸尘器进行检查，然后才能继续使用。

-危险-

人身伤害的危险。L 级和 M 级真空吸尘器含有对健康有害的粉尘。

- ▶ 排空和维护以及清理集尘箱的操作只能由经过培训并且具备相应资格的专业人员执行。佩戴适当的防护装备。
- ▶ 从被危险物质污染的区域移开真空吸尘器之前，先使用真空吸尘器清洁其自身的外部，将其擦干净或放入密封袋或箱中。由于本设备的所有部件都必须被视为已污染，因此，在将这些部件从危险区域移开之前，必须先采取适当的措施以避免粉尘扩散。
- ▶ 未安装完整的过滤系统时，切勿操作真空吸尘器。

-小心-

本设备失控滑离会带来伤害风险。如果未拉紧滚轮制动器，则真空吸尘器可能失控滑离。

- ▶ 拉紧滚轮制动器，使真空吸尘器牢固站立。

7.1 设置 UM 和 UME 真空吸尘器的软管直径

1. 吸取具有暴露限值的干燥的不易燃粉尘时，或吸取木屑或刨花时，将软管直径设置开关调节至所用吸尘软管的正确直径设置。
2. 将本真空吸尘器与 Hilti 空心钻头系统一起使用时，将该开关设置至最小软管直径。

7.2 不使用电动工具电源插座的操作

1. 将电源线插头插入电源插座之前，先检查并确保本设备上的开关处于“OFF”(关闭)位置。
2. 将真空吸尘器的电源线插头插入电源插座。



3. 将控制开关转到“ON”(打开) 位置。

7.3 使用本设备上的电源插座时的操作



本设备上的电源插座只能用于由真空吸尘器直接为电动工具供电。
必须遵照插头插在真空吸尘器上电源插座中的电动工具的操作说明和安全说明。

1. 从电源插座中拔出真空吸尘器的电源线。
2. 检查并确保电动工具吸收的最大功率低于本真空吸尘器上电源插座的最大允许输出功率 (请参见操作说明的“技术数据”部分以及本设备上电源插座处所印的信息)。
3. 将电动工具的电源线插头插入电源插座之前, 先检查以确保电动工具已关闭。
4. 将电动工具电源线插入真空吸尘器上的电源插座。
5. 将真空吸尘器的电源线插头插入电源插座。
6. 将控制开关转到“Auto”(自动) 位置。
7. 打开电动工具。



关闭电动工具后, 真空吸尘器将继续运行一段较短的时间, 以确保清除吸尘软管中的所有粉尘。

7.4 吸取干粉尘



吸取干粉尘 (特别是矿物材料产生的粉尘) 之前, 请务必检查以确保容器中安装有正确的集尘袋。然后可清洁、简单地处置真空吸尘器吸取的材料。



人身伤害的危险。 如果不使用滤芯, 则已吸取的有害物质可能漏出。

- ▶ 切勿使用不带滤芯的设备。
- ▶ 检查并确保滤芯干燥并且安装有类型正确的集尘袋。

7.5 吸取液体



人身伤害的危险。 如果不使用滤芯, 则已吸取的有害物质可能漏出。

- ▶ 切勿使用不带滤芯的设备。
1. 检查容器料位监控系统。→ 页码 141
 2. 如果可能, 使用单独的滤芯吸取湿粉尘。



建议使用 Hilti VC 20/40 universal (2121387) 过滤器。

3. 吸取液体后, 打开两个锁扣。
4. 将真空吸尘器顶部从废料容器上抬高, 然后将其放到水平面上, 以便滤芯能够变干。
5. 排空废料容器, 然后用软水管将其冲洗干净。用刷子清洁电极, 在使滤芯变干后用手擦拭滤芯以对其进行清洁。
6. 使废料容器变干。

7.6 使用真空吸尘器后

1. 关闭电动工具。
2. 将真空吸尘器控制开关转到“OFF”(关闭) 位置。
3. 从电源插座中拔出真空吸尘器的电源线。
4. 盘起电源线, 将其挂在钩上。
5. 排空容器, 用湿布擦拭设备以进行清洁。
6. 盘起吸尘软管。
7. 将真空吸尘器存放 to 未经授权的用户无法接近的安全、干燥的地方。



7.7 排空废料容器中的干粉尘

1. 从电源插座中拔出电源线插头。
2. 将真空吸尘器顶部从废料容器上抬高，然后将其放到水平面上。
 - ↳ 适用于 **UM** 和 **UME** 真空吸尘器
 - ▶ 从废料容器中取出集尘袋。
 - ↳ 适用于 **U** 和 **UL** 真空吸尘器
 - ▶ 从废料容器中取出集尘袋，或通过提供的凹进抓握处抱住容器，倒光其中的废料以将其排空。
3. 然后将真空吸尘器顶部安装到废料容器上，再合上两个锁扣。

7.8 在未安装集尘袋 (吸取液体) 时排空废料容器

1. 将电源线插头从电源插座上断开。
2. 将真空吸尘器顶部从废料容器上抬高，然后将其放到水平面上。
3. 通过提供的凹进抓握处抱住废料容器，倒光其中的废料以将其排空。
4. 用布清洁废料容器的边缘。
5. 将真空吸尘器顶部安装到废料容器上，然后合上两个锁扣。

8 维护和保养

8.1 设备的维护和保养



-警告-

电气危险。 电气零部件的不当维修会造成严重人身伤害。

- ▶ 电气零部件只能由受过培训的专业人员进行维修。
- ▶ 保持设备清洁和没有油脂，特别是其把手表面。不要使用含硅的清洁剂。
- ▶ 当出风口堵塞时，切勿操作本真空吸尘器。使用干燥的刷子小心清洁通风孔。不要让异物进入设备内部。
- ▶ 使用微湿干净抹布定期清洁设备外部表面。不要使用喷淋系统、压力喷射式洗涤剂或流水进行清洁，否则可能对设备的电气安全产生负面影响。

适用于 **UL**、**UM** 和 **UME** 真空吸尘器

进行清洁和维护时，必须正确操作设备，以免为维护人员和其它人员带来危险。

- ▶ 使用过滤强制通风。
- ▶ 穿戴个人防护装备。
- ▶ 清洁维护区域时，应防止危险物质进入周围环境中。
- ▶ 将本设备从被危险物质污染的区域移开之前，先用真空清扫设备外表面并将其擦干净或将其密封到适当的容器 (例如大塑料袋) 中。这将有助于避免使沉积在其上的危险粉尘散开。
- ▶ 进行维护或修理时，必须将无法达到满意清洁效果的所有已污染部件装入不透水的袋中，并根据适用的规定进行废弃处理。
- ▶ 本设备一年至少必须由 **Hilti** 维修中心或经过培训的人员进行一次技术检查，以检查过滤器是否损坏以及是否漏气等，并确保控制装置正常工作。

8.2 过滤器自动清洁



不要尝试通过在坚硬物体上敲击滤芯来清洁滤芯，也不要使用尖头工具，否则会缩短滤芯的使用寿命。不要使用压缩空气清洁滤芯，否则可能导致过滤器材料断裂。

滤芯的状况将随着使用而不断恶化。

- ▶ 至少每 6 个月更换一次滤芯。
- ▶ 但是，如果使用强度较大，则应更频繁地更换滤芯。

8.3 更换滤芯

1. 将电源线插头从电源插座上断开。
2. 打开过滤器盖锁扣。
3. 打开过滤器盖。
4. 小心地拆下过滤器元件，将其夹在固定器中提供的区域。
5. 用布清洁密封面。
6. 安装新滤芯。



7. 向前翻转过滤器盖锁扣，以合上过滤器盖。
8. 关闭过滤器盖锁扣。

8.4 检查容器料位监控系统

1. 拉紧滚轮制动器，使真空吸尘器牢固站立。
2. 将电源线插头从电源插座上断开。
3. 打开两个锁扣。
4. 将真空吸尘器顶部从废料容器上抬高，然后将其放到水平面上。
5. 检查断路触点，必要时用刷子对其进行清洁 (如果脏污)。
6. 检查真空吸尘器顶部的密封件，必要时用布对其进行清洁。
7. 将真空吸尘器顶部安装到废料容器上，然后合上两个锁扣。

8.5 清洁和维护之后的检查

1. 清洁或执行维护后，检查并确保真空吸尘器正确装配并且无故障地工作。
2. 测试各项功能。

9 运输和存放

9.1 运输

当本设备中装满废料时，不要运送本设备。
不得用起重机直接提升本设备。

- ▶ 从支架上取下功率调节器 (如果适用) 或松动的配套工具。
- ▶ 将设备运送到另一个位置之前，将其排空。
- ▶ 使用本设备吸取液体后，不要翻倒本设备或将其侧置运输。
- ▶ 使用锥形转接器将软管的两端方便地连接到一起，以进行运输。

适用于 **UM** 和 **UME** 真空吸尘器



人身伤害的危险。已吸取的有害物质可能通过吸尘软管进口插口漏出。

- ▶ 在运输之前以及设备不使用期间，用提供的盖封闭 M 级真空吸尘器上的软管进口插口。

9.2 存放

- ▶ 将真空吸尘器存放 to 未经授权的用户无法接近的安全、干燥的地方。

10 故障排除

如果您碰到的问题未在此表中列出或您无法自己实施补救措施，请联系 **Hilti** 服务部门。

10.1 故障排除表

故障	可能原因	解决方案
UM 和 UME 真空吸尘器：声音警告信号 (吸尘功率降低)	集尘袋已满。	▶ 更换集尘袋。
	滤芯被污垢或粉尘堵塞。	▶ 如果过滤器自动清洁系统停用，则启用该系统并使真空吸尘器运转 30 秒。
	吸尘软管或电动工具上的防尘罩堵塞。	▶ 清洁吸入软管和防尘罩。
	软管直径设置不正确。	▶ 设置软管直径。 ▶ 对于配备空心钻头的设备，请选择直径为 15 mm 的软管。
粉尘从设备中吹出。	滤芯安装不正确。	▶ 重新正确安装滤芯。
	滤芯损坏。	▶ 安装新滤芯。
设备自动关闭或意外打开或通过用户静电放电。	静电荷未消散 — 设备与未接地的电源插座相连。	▶ 将设备连接到带接地保护的电源插座，并使用抗静电软管。



故障	可能原因	解决方案
设备不启动，或在短时间后自动关闭。	水位断路器启用。	▶ 用刷子清洁传感器和传感器周围区域。
电机不重新启动。	电源断路器已跳闸。	▶ 复位断路器。 ▶ 如果再次跳闸，则查找出现过载电流的原因。
	废料容器已满。	▶ 关闭设备并排空废料容器。
	电机过热保护切断功能已经启动。	▶ 关闭设备，使其冷却约 5 分钟。 ▶ 如果电机不启动，则将设备送回 Hilti 维修中心。
	电机通过其热断路器反复关闭。	▶ 使用干燥的刷子小心清洁通风孔。
当设置到“AUTO”(自动) 时，电机不运行。	设备有故障或插头未正确插入。	▶ 确保电源线插头完全插入，并检查设备功能是否正常。
自动滤芯清洁系统不工作。	未连接吸尘软管。	▶ 连接吸尘软管。

11 废弃处置

Hilti 产品的大多数制作材料都可以回收利用。在可以回收之前，必须正确分离材料。在很多国家，您的旧工具、机器或设备可送至 Hilti 进行回收。敬请联系 Hilti 维修中心或 Hilti 代表获得更多信息。

遵守欧洲指令和地区法律有关废弃电子和电气设备的规定，并且废弃处置的实施应该符合国家法律。必须单独收集已达到使用寿命期限的电动工具或设备，并以环保的方式进行回收。



- ▶ 不要将电气设备与家用垃圾一起进行废弃处置。

钻孔泥浆

不经过适当的预处理便将钻孔泥浆直接排入河流、湖泊或污水系统会带来环境问题。

- ▶ 有关最新的规定信息，请咨询当地政府当局。

建议进行以下预处理：

- ▶ 收集钻孔泥浆 (例如使用湿式真空吸尘器)。
- ▶ 使钻孔泥浆沉积下来，然后在建筑废物处理场处理固体材料 (添加絮凝剂可加快沉积过程)。
- ▶ 剩余的水 (碱性，pH 值 > 7) 在可以流入污水处理系统之前，必须通过添加酸性中和剂进行中和或使用大量水稀释。

钻孔粉尘

- ▶ 根据适用的国家规定处置真空吸尘器收集的钻孔粉尘。

12 制造商保修

- ▶ 如果您有保修条件方面的问题，请联系您当地的 Hilti 公司代表。





Hilti Aktiengesellschaft
Feldkircherstraße 100
9494 Schaan | Liechtenstein

VC 20-U	(03)	[2015]
VC 20-UL	(03)	[2015]
VC 20-UM	(03)	[2015]
VC 20-UME	(03)	[2015]
VC 40-U	(03)	[2015]
VC 40-UL	(03)	[2015]
VC 40-UM	(03)	[2015]
VC 40-UME	(03)	[2015]

2006/42/EG

EN 55014-1 :2017

2011/65/EU

EN 55014-2:2015

2014/30/EU

EN 61000-3-2:2019

EN 60335-1

EN 61000-3-3:2013+A1:2019

EN 60335-2-69

Schaan, 17.06.2020

Paolo Luccini

Head of Quality and Process Management
BA Electric Tools & Accessories

Tassilo Deinzer

Executive Vice President
Business Unit Power Tools & Accessories



Hilti Corporation
LI-9494 Schaan
Tel.:+423 234 21 11
Fax:+423 234 29 65
www.hilti.group



2190555