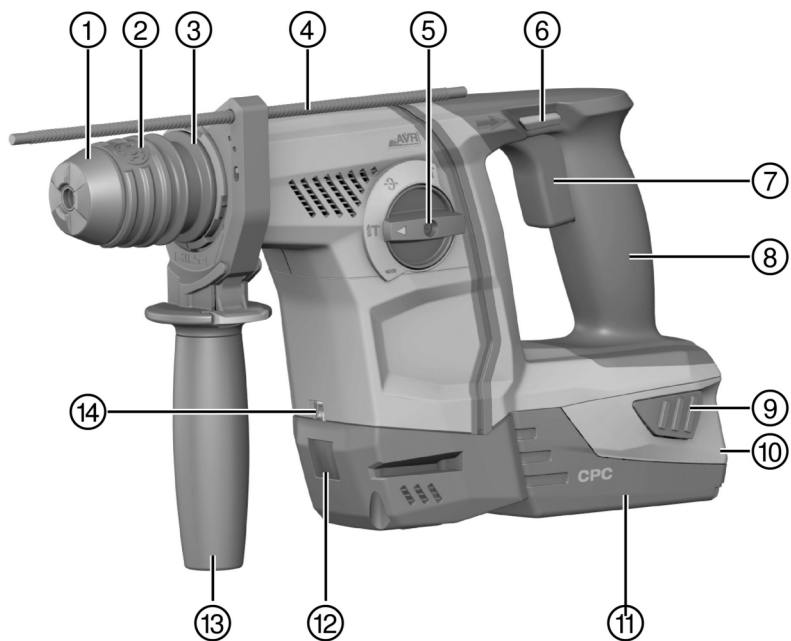




TE 6-A22

English	1
Français	14
Dansk	27
Svenska	40
Norsk	52
Suomi	65
Ελληνικά	77
Русский	91
Türkçe	106
عربي	120
Lietuvių	134
Eesti	146
Українська	159
Қазақ	173
日本語	187
한국어	200
繁體中文	212
中文	223



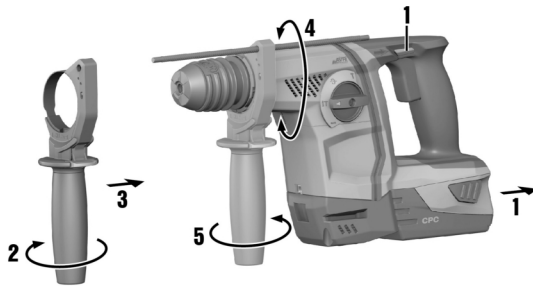
2



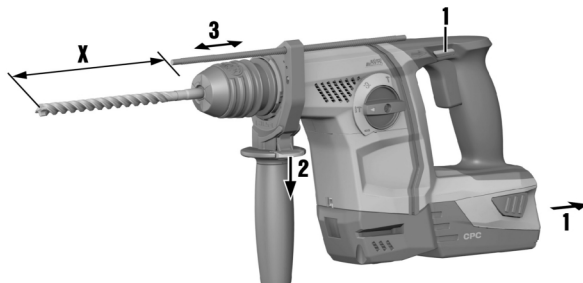
3

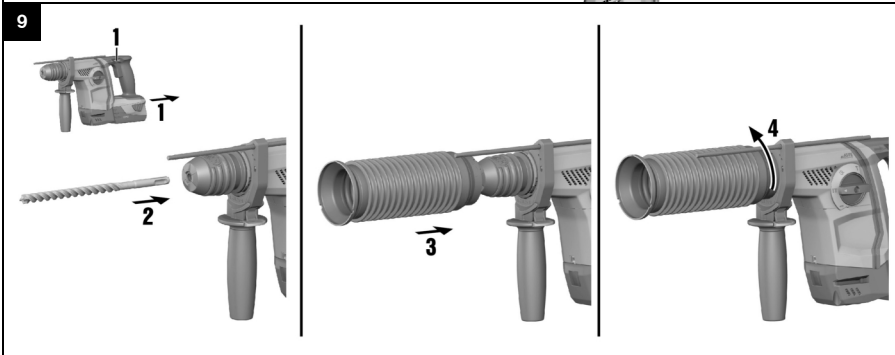
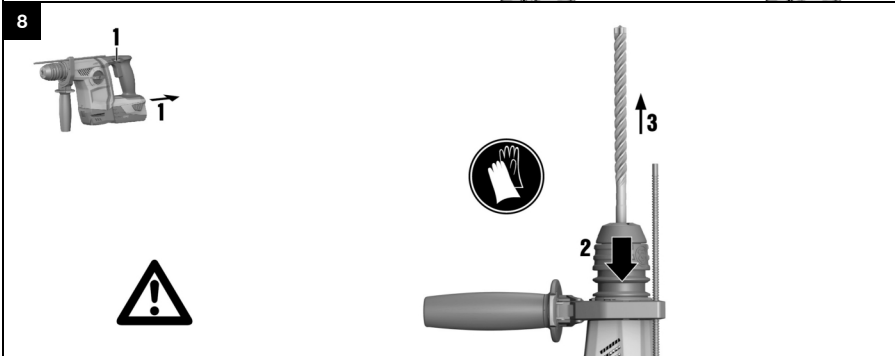
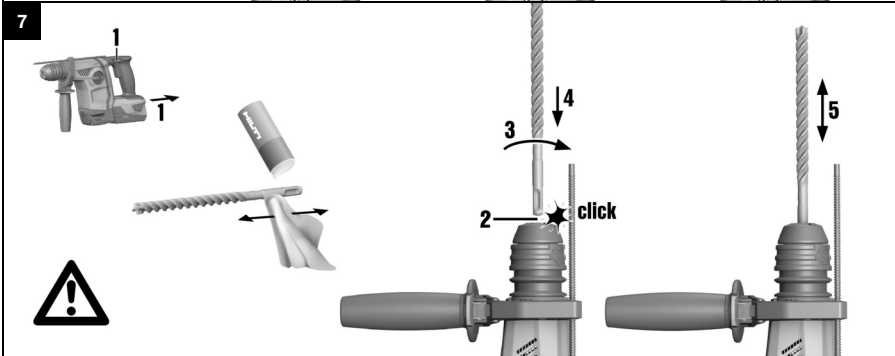
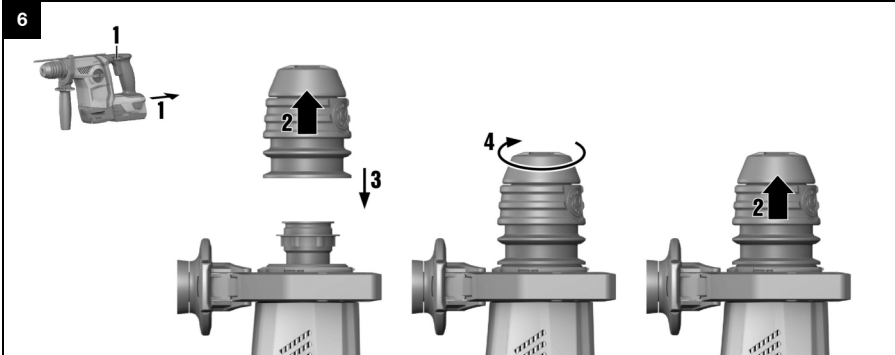


4



5





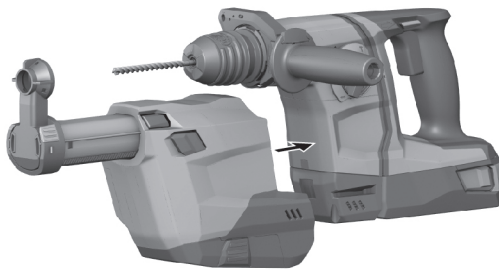
10



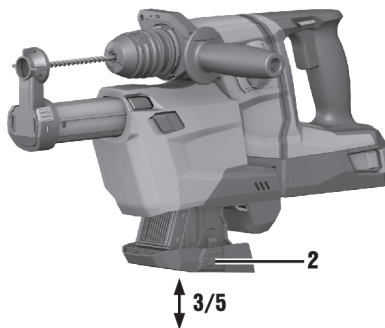
11



12



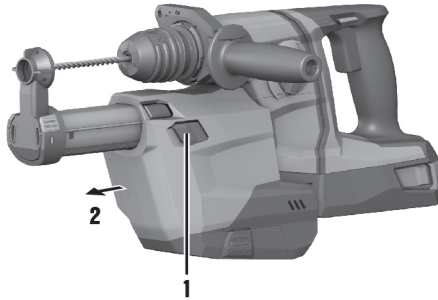
13



14



15



TE 6-A22

en	Original operating instructions	1
fr	Notice d'utilisation originale	14
da	Original brugsanvisning	27
sv	Originalbruksanvisning	40
no	Original bruksanvisning	52
fi	Alkuperäiset ohjeet	65
el	Μετάφραση από τις πρωτότυπες οδηγίες χρήσης	77
ru	Оригинальное руководство по эксплуатации	91
tr	Orijinal kullanım kılavuzu	106
ar	دليل الاستعمال الأصلي	120
lt	Originali naudojimo instrukcija	134
et	Originaalkasutusjuhend	146
uk	Оригінальна інструкція з експлуатації	159
kk	Түпнұсқа пайдалану бойынша нұсқаулық	173
ja	オリジナル取扱説明書	187
ko	오리지널 사용설명서	200
zh	原始操作說明	212
cn	原版操作说明	223

Original operating instructions

1 Information about the operating instructions

1.1 About these operating instructions

- Read these operating instructions before the product is used or operated for the first time. This is a prerequisite for safe, trouble-free handling and use of the product.
- Observe the safety instructions and warnings in these operating instructions and on the product.
- Always keep the operating instructions with the product and make sure that the product is accompanied by these operating instructions only, when the product is given to other persons.

1.2 Explanation of symbols

1.2.1 Warnings

Warnings alert persons to hazards that occur when handling or using the product. The following signal words are used:

DANGER

DANGER !

- ▶ Draws attention to imminent danger that will lead to serious personal injury or fatality.

WARNING

WARNING !

- ▶ Draws attention to a potential threat of danger that can lead to serious injury or fatality.






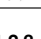
CAUTION

CAUTION !

- ▶ Draws attention to a potentially dangerous situation that could lead to personal injury or damage to the equipment or other property.




1.2.2 Symbols in the operating instructions

The following symbols are used in these operating instructions:

	Comply with the operating instructions
	Instructions for use and other useful information
	Dealing with recyclable materials
	Do not dispose of electric equipment and batteries as household waste
	Hilti Li-ion battery
	Hilti charger

1.2.3 Symbols in illustrations

The following symbols are used in illustrations:

	These numbers refer to the illustrations at the beginning of these operating instructions.
3	The numbers in illustrations refer to important work steps or to components important for the work steps. In the text, the corresponding numbers draw attention to these work steps or components, e.g. (3) .
	Item reference numbers are used in the overview illustration and refer to the numbers used in the key in the product overview section.
	This symbol is intended to draw your special attention to certain points for handling the product.



1.3 Product-dependent symbols

1.3.1 Symbols

The following symbols can be used on the product:

	Drilling without hammer action
	Drilling with hammering action (hammer drilling)
	Chiseling
	Chisel positioning
	Forward / reverse
n_0	Rated speed under no load
	Direct current (DC)
Li-Ion	Li-ion battery
	Hilti Li-ion battery type series used. Observe the information given in the section headed Intended use .
	Never use the battery as a striking tool.
	Do not drop the battery. Never use a battery that has suffered an impact or is damaged in any other way.
	The power tool supports near-field communication (NFC) technology, which is compatible with iOS and Android platforms.

1.4 Product information

products are designed for professional users and only trained, authorized personnel are permitted to operate, service and maintain the products. This personnel must be specifically informed about the possible hazards. The product and its ancillary equipment can present hazards if used incorrectly by untrained personnel or if used not in accordance with the intended use.

The type designation and serial number are printed on the rating plate.

- ▶ Write down the serial number in the table below. You will be required to state the product details when contacting Hilti Service or your local Hilti organization to inquire about the product.

Product information

Rotary hammer	TE 6-A22
Generation	04
Serial no.	

1.5 Declaration of conformity

We declare, on our sole responsibility, that the product described here complies with the applicable directives and standards. A copy of the declaration of conformity can be found at the end of this documentation.

The technical documentation is filed here:

Hilti Entwicklungsgesellschaft mbH | Tool Certification | Hiltistrasse 6 | 86916 Kaufering, Germany

2 Safety

2.1 General power tool safety warnings

⚠ WARNING Read all safety warnings, instructions, illustrations and specifications provided with this power tool. Failure to follow all instructions listed below may result in electric shock, fire and/or serious injury. **Save all warnings and instructions for future reference.**

The term "power tool" in the warnings refers to your mains-operated (corded) power tool or battery-operated (cordless) power tool.



Work area safety

- ▶ **Keep work area clean and well lit.** Cluttered or dark areas invite accidents.
- ▶ **Do not operate power tools in explosive atmospheres, such as in the presence of flammable liquids, gases or dust.** Power tools create sparks which may ignite the dust or fumes.
- ▶ **Keep children and bystanders away while operating a power tool.** Distractions can cause you to lose control.

Electrical safety

- ▶ **Power tool plugs must match the outlet. Never modify the plug in any way. Do not use any adapter plugs with earthed (grounded) power tools.** Unmodified plugs and matching outlets will reduce risk of electric shock.
- ▶ **Avoid body contact with earthed or grounded surfaces, such as pipes, radiators, ranges and refrigerators.** There is an increased risk of electric shock if your body is earthed or grounded.
- ▶ **Do not expose power tools to rain or wet conditions.** Water entering a power tool will increase the risk of electric shock.
- ▶ **Do not abuse the cord. Never use the cord for carrying, pulling or unplugging the power tool. Keep cord away from heat, oil, sharp edges or moving parts.** Damaged or entangled cords increase the risk of electric shock.
- ▶ **When operating a power tool outdoors, use an extension cord suitable for outdoor use.** Use of a cord suitable for outdoor use reduces the risk of electric shock.
- ▶ **If operating a power tool in a damp location is unavoidable, use a residual current device (RCD) protected supply.** Use of an RCD reduces the risk of electric shock.

Personal safety

- ▶ **Stay alert, watch what you are doing and use common sense when operating a power tool. Do not use a power tool while you are tired or under the influence of drugs, alcohol or medication.** A moment of inattention while operating power tools may result in serious personal injury.
- ▶ **Use personal protective equipment. Always wear eye protection.** Protective equipment such as a dust mask, non-skid safety shoes, hard hat or hearing protection used for appropriate conditions will reduce personal injuries.
- ▶ **Prevent unintentional starting. Ensure the switch is in the off-position before connecting to power source and/or battery pack, picking up or carrying the tool.** Carrying power tools with your finger on the switch or energising power tools that have the switch on invites accidents.
- ▶ **Remove any adjusting key or wrench before turning the power tool on.** A wrench or a key left attached to a rotating part of the power tool may result in personal injury.
- ▶ **Do not overreach. Keep proper footing and balance at all times.** This enables better control of the power tool in unexpected situations.
- ▶ **Dress properly. Do not wear loose clothing or jewellery. Keep your hair and clothing away from moving parts.** Loose clothes, jewellery or long hair can be caught in moving parts.
- ▶ **If devices are provided for the connection of dust extraction and collection facilities, ensure these are connected and properly used.** Use of dust collection can reduce dust-related hazards.
- ▶ **Do not let familiarity gained from frequent use of tools allow you to become complacent and ignore tool safety principles.** A careless action can cause severe injury within a fraction of a second.

Power tool use and care

- ▶ **Do not force the power tool. Use the correct power tool for your application.** The correct power tool will do the job better and safer at the rate for which it was designed.
- ▶ **Do not use the power tool if the switch does not turn it on and off.** Any power tool that cannot be controlled with the switch is dangerous and must be repaired.
- ▶ **Disconnect the plug from the power source and/or remove the battery pack, if detachable, from the power tool before making any adjustments, changing accessories, or storing power tools.** Such preventive safety measures reduce the risk of starting the power tool accidentally.
- ▶ **Store idle power tools out of the reach of children and do not allow persons unfamiliar with the power tool or these instructions to operate the power tool.** Power tools are dangerous in the hands of untrained users.
- ▶ **Maintain power tools and accessories. Check for misalignment or binding of moving parts, breakage of parts and any other condition that may affect the power tool's operation. If damaged, have the power tool repaired before use.** Many accidents are caused by poorly maintained power tools.
- ▶ **Keep cutting tools sharp and clean.** Properly maintained cutting tools with sharp cutting edges are less likely to bind and are easier to control.



- ▶ **Use the power tool, accessories and tool bits etc. in accordance with these instructions, taking into account the working conditions and the work to be performed.** Use of the power tool for operations different from those intended could result in a hazardous situation.
- ▶ **Keep handles and grasping surfaces dry, clean and free from oil and grease.** Slippery handles and grasping surfaces do not allow for safe handling and control of the tool in unexpected situations.

Battery tool use and care

- ▶ **Recharge only with the charger specified by the manufacturer.** A charger that is suitable for one type of battery pack may create a risk of fire when used with another battery pack.
- ▶ **Use power tools only with specifically designated battery packs.** Use of any other battery packs may create a risk of injury and fire.
- ▶ **When battery pack is not in use, keep it away from other metal objects, like paper clips, coins, keys, nails, screws or other small metal objects, that can make a connection from one terminal to another.** Shorting the battery terminals together may cause burns or a fire.
- ▶ **Under abusive conditions, liquid may be ejected from the battery; avoid contact. If contact accidentally occurs, flush with water. If liquid contacts eyes, additionally seek medical help.** Liquid ejected from the battery may cause irritation or burns.
- ▶ **Do not use a battery pack or tool that is damaged or modified.** Damaged or modified batteries may exhibit unpredictable behaviour resulting in fire, explosion or risk of injury.
- ▶ **Do not expose a battery pack or tool to fire or excessive temperature.** Exposure to fire or temperature above 130° C (265 °F) may cause explosion.
- ▶ **Follow all charging instructions and do not charge the battery pack or tool outside the temperature range specified in the instructions.** Charging improperly or at temperatures outside the specified range may damage the battery and increase the risk of fire.

Service

- ▶ **Have your power tool serviced by a qualified repair person using only identical replacement parts.** This will ensure that the safety of the power tool is maintained.
- ▶ **Never service damaged battery packs.** Service of battery packs should only be performed by the manufacturer or authorized service providers.

2.2 Hammer safety warnings

Safety instructions for all operations

- ▶ **Wear ear protectors.** Exposure to noise can cause hearing loss.
- ▶ **Use auxiliary handle(s), if supplied with the tool.** Loss of control can cause personal injury.
- ▶ **Hold the power tool by insulated gripping surfaces, when performing an operation where the cutting accessory may contact hidden wiring.** Cutting accessory contacting a "live" wire may make exposed metal parts of the power tool "live" and could give the operator an electric shock.

Safety instructions when using long drill bits with rotary hammers

- ▶ **Always start drilling at low speed and with the bit tip in contact with the workpiece.** At higher speeds, the bit is likely to bend if allowed to rotate freely without contacting the workpiece, resulting in personal injury.
- ▶ **Apply pressure only in direct line with the bit and do not apply excessive pressure.** Bits can bend causing breakage or loss of control, resulting in personal injury.

2.3 Additional safety instructions for rotary hammer drill

Personal safety

- ▶ Use the product and accessories only when they are in perfect working order.
- ▶ Never tamper with or modify the product or accessories in any way.
- ▶ Use auxiliary handles supplied with the product. Loss of control can cause personal injury.
- ▶ Apply appropriate safety measures at the opposite side of the workpiece in work that involves breaking through. Parts breaking away could fall out and / or fall down causing injury to other persons.
- ▶ Always hold the tool with both hands on the grips provided. Keep the grips clean and dry.
- ▶ Hold the product by the insulated gripping surfaces when performing work in which the accessory tool might come into contact with concealed wiring. If the accessory tool comes into contact with a live wire, metal parts of the power tool can also become live, resulting in an electric shock.
- ▶ Do not touch rotating parts – risk of injury!
- ▶ Wear eye protection, a hard hat and ear protection and suitable respiratory protection while the product is in use.



- ▶ Wear protective gloves when changing the accessory tool. Touching the accessory tool can result in cuts and burns.
- ▶ Wear eye protection. Flying fragments can injure the body and eyes.
- ▶ Dust produced by grinding, sanding, cutting and drilling can contain dangerous chemicals. Some examples are: lead or lead-based paints; brick, concrete and other masonry products, natural stone and other products containing silicates; certain types of wood, such as oak, beech and chemically treated wood; asbestos or materials that contain asbestos. Determine the exposure of the operator and bystanders by means of the hazard classification of the materials to be worked. Implement the necessary measures to restrict exposure to a safe level, for example by the use of a dust collection system or by the wearing of suitable respiratory protection. The general measures for reducing exposure include:
 - ▶ working in an area that is well ventilated,
 - ▶ avoidance of prolonged contact with dust,
 - ▶ directing dust away from the face and body,
 - ▶ wearing protective clothing and washing exposed areas of the skin with water and soap.
- ▶ Take frequent breaks and do physical exercises to improve the blood circulation in your fingers. High vibration during long periods of work can lead to disorders of the blood vessels and nervous system in the fingers, hands and wrists.

Electrical safety

- ▶ Before beginning work, check the working area for concealed electric cables or gas and water pipes. External metal parts of the product could give you an electric shock or cause an explosion if you accidentally damage an electric cable or a gas or water pipe.

Power tool use and care

- ▶ Switch the product off immediately if the accessory tool jams. The product might twist off-line.
- ▶ Wait until the product has come to a complete stop before you lay it down.

2.4 Safety instructions for dust removal module

- ▶ Observe all safety instructions in this documentation and on the device.
- ▶ Use respiratory protection to keep residual dust away from the face and airways when drilling and when servicing the tool or accessories.
- ▶ Always use the side handle on the **Hilti** rotary hammer drill, even when the dust removal module is fitted.

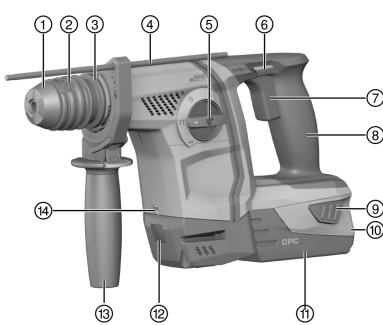
2.5 Careful handling and use of batteries

- ▶ Observe the special guidelines applicable to the transport, storage and use of lithium-ion batteries.
- ▶ Do not expose batteries to high temperatures, direct sunlight or fire.
- ▶ Do not disassemble, crush or incinerate batteries and do not subject them to temperatures over 80 °C (176 °F).
- ▶ Do not use or charge batteries that have suffered mechanical impact, have been dropped from a height or show signs of damage. In this case, always contact your **Hilti Service**.
- ▶ If the battery is too hot to touch it may be defective. Put the battery in a place where it is clearly visible and where there is no risk of fire, at an adequate distance from flammable materials. Allow the battery to cool down. If it is still too hot to touch after an hour, the battery is faulty. Contact **Hilti Service**.



3 Description

3.1 Overview of the product



- ① Dust shield
- ② chuck
- ③ Insert tool unlocking device
- ④ Depth gauge
- ⑤ Function selector switch
- ⑥ Forward / reverse selector switch with safety lock
- ⑦ Control switch
- ⑧ Grip
- ⑨ Battery release buttons
- ⑩ Charge status and fault display (Li-ion battery)
- ⑪ Battery
- ⑫ Connection for the TE DRS-6-A(02) dust removal module
- ⑬ Side handle
- ⑭ Light to illuminate the work area

3.2 Intended use

The product described is a cordless rotary hammer drill. It is designed for drilling in steel, wood and masonry, for hammer-action drilling in concrete and masonry, and for driving and removing screws. The product can also be used for light chiseling work on masonry and surface finishing on concrete.

- ▶ Use only **Hilti** lithium-ion batteries of the B 22 series with this product.
- ▶ Use only the **Hilti** lithium-ion batteries from the B22 series for this product.

3.3 Lithium-ion battery status display

The charge status of the Li-ion battery and malfunctions of the power tool are indicated by the display on the Li-ion battery. The charge status of the Li-ion battery is displayed after pressing one of the two battery release buttons.

Status	Meaning
4 LEDs light up.	Charge status: 75 % to 100 %
3 LEDs light up.	Charge status: 50 % to 75 %
2 LEDs light up.	Charge status: 25 % to 50 %
1 LED lights up.	Charge status: 10 % to 25 %
1 LED blinks.	Charge status: < 10 %



Battery charge status cannot be displayed while the control switch is pressed and for up to 5 seconds after releasing the control switch. If the battery display LEDs blink, please observe the instructions given in the Troubleshooting section.

3.4 Items supplied

Rotary hammer, side handle, depth gauge, operating instructions.

Other system products approved for use with this product can be found at your local **Hilti Store** or at: www.hilti.group



4 Technical data

4.1 Rotary hammer

	TE 6-A22
Rated voltage	21.6 V
Weight in accordance with EPTA Procedure 01 including B22/8.0 battery	3.8 kg
Rated speed under no load	1,050 /min
Drilling diameter range in concrete/masonry (hammer drilling)	4 mm ... 28 mm
Drilling diameter range in wood (solid)	3 mm ... 20 mm
Drilling diameter range in metal (solid-head drill bit)	3 mm ... 13 mm

4.2 Noise information and vibration values in accordance with EN 62841

The sound pressure and vibration values given in these instructions were measured in accordance with a standardized test and can be used to compare one power tool with another. They can also be used for a preliminary assessment of exposure.

The data given represent the main applications of the power tool. However, if the power tool is used for different applications, with different accessory tools, or is poorly maintained, the data can vary. This can significantly increase exposure over the total working period.

An accurate estimation of exposure should also take into account the times when the power tool is switched off, or when it is running but not actually being used for a job. This can significantly reduce exposure over the total working period.

Identify additional safety measures to protect the operator from the effects of noise and/or vibration, for example: maintaining the power tool and accessory tools, keeping the hands warm, organization of work patterns.

Noise information

Sound (power) level (L_{WA})	100 dB(A)
Emission sound pressure level (L_{pA})	89 dB(A)
Uncertainty (noise values) (K_{pA} and K_{WA})	3 dB(A)

Total vibration

		TE 6-A22
Hammer drilling in concrete ($a_{h, HD}$)	B 22/2.6 Li-Ion (02)	19.9 m/s ²
	B 22/8.0 Li-Ion	17.1 m/s ²
Uncertainty, hammer drilling in concrete	B 22/2.6 Li-Ion (02)	2.1 m/s ²
	B 22/8.0 Li-Ion	1.5 m/s ²
Chiseling ($a_{h, Cheq}$)	B 22/2.6 Li-Ion (02)	10.9 m/s ²
	B 22/8.0 Li-Ion	12.1 m/s ²
Uncertainty, chiseling	B 22/2.6 Li-Ion (02)	1.5 m/s ²
	B 22/8.0 Li-Ion	1.5 m/s ²

4.3 Battery

Battery operating voltage	21.6 V
Ambient temperature for operation	-17 °C ... 60 °C
Storage temperature	-20 °C ... 40 °C
Battery charging starting temperature	-10 °C ... 45 °C



5 Operation

5.1 Preparations at the workplace

WARNING

Risk of injury by inadvertent starting!

- ▶ Before inserting the battery, make sure that the product is switched off.
- ▶ Remove the battery before making any adjustments to the power tool or before changing accessories.

Observe the safety instructions and warnings in this documentation and on the product.

5.2 Inserting the battery 2

CAUTION

Risk of injury! Inadvertent starting of the rotary hammer drill.

- ▶ Before installing the battery, check that the rotary hammer drill is switched off and that the forward/reverse switch is in the middle position (i.e. switch-on interlock engaged).

1. Push the battery into the battery holder until it engages with an audible click.
2. Check that the battery is seated securely.

5.3 Removing the battery 3

1. Press the release buttons on the battery.
2. Pull the battery out toward the rear.

5.4 Fitting the side handle 4

CAUTION

Risk of injury! Loss of control over the product.

- ▶ Check that the side handle is fitted correctly and tightened securely. Check that the clamping band is engaged in the groove in the product.

1. Release the side handle clamping band by turning the handle grip.
2. From the front, slide the depth gauge into the 2 guide holes.
3. Tighten the side handle clamping band by turning the handle grip.

5.5 Fitting and adjusting the depth gauge 5

- ▶ Fit the depth gauge, if necessary, and adjust it correctly.

5.6 Fitting / removing the chuck 6

CAUTION

Risk of injury! The depth gauge, if fitted but not used, might hinder the operator.

- ▶ Remove the depth gauge from the tool.
-
- ▶ Fit / remove the chuck.

5.7 Inserting the tool 7

1. Lightly grease the connection end of the accessory tool.
 - ▶ Use only genuine **Hilti** grease. Using the wrong grease can result in damage to the tool.
2. Push the accessory tool into the chuck as far as it will go (until it engages).
3. After fitting the accessory tool, grip it and pull it in order to check that it is securely engaged.
 - ▶ The product is ready for use.

5.8 Removing the accessory tool 8

- ▶ Pull the chuck back as far as it will go and remove the accessory tool.



5.9 Overhead work

- ▶ Fit the DCD dust control ring for overhead work.

5.10 Chisel positioning

- ▶ Set the function selector switch to the position.

6 Types of work

CAUTION

Risk of damage by incorrect handling!

- ▶ Do not operate the switches for direction of rotation and/or function selection during operation.

Observe the safety instructions and warnings in this documentation and on the product.

6.1 Function selector switch

- ▶ Set the function selector switch to the desired working position.
 - ▶ Do not operate the function selector switch while the motor is running. **Risk of damage!**

6.2 Forward/reverse

- ▶ Set the forward/reverse switch to the desired direction of rotation.

6.3 Drilling without hammer action

- ▶ Set the function selector switch to the position.

6.4 Drilling with hammer action

- ▶ Set the function selector switch to the position.

6.5 Chiseling

- ▶ Set the function selector switch to the position.
 - ▶ For optimum motor cooling, select the forward direction, i.e. clockwise (direction of rotation for drilling).

7 Care and maintenance

7.1 Care and maintenance

WARNING

Risk of injury with battery inserted !

- ▶ Always remove the battery before carrying out care and maintenance tasks!

Care of the product

- Carefully remove stubborn dirt.
- Carefully clean the air vents, if present, with a dry, soft brush.
- Use only a slightly damp cloth to clean the housing. Do not use cleaning agents containing silicone as these can attack the plastic parts.
- Use a dry, clean cloth to clean the contacts of the product.

Care of the Li-ion batteries

- Never use a battery with clogged air vents. Clean the air vents carefully using a dry, soft brush.
- Avoid unnecessary exposure of the battery to dust and dirt. Never expose the battery to high levels of moisture (e.g. by being dipped in water or left in the rain).
If a battery has been soaked by moisture, treat it as a damaged battery. Isolate it in a non-flammable container and consult **Hilti Service**.



- Keep the battery free of extraneous oil and grease. Do not permit dust or dirt to accumulate unnecessarily on the battery. Clean the battery with a dry, soft brush or a clean, dry cloth. Do not use cleaning agents containing silicone as these can attack the plastic parts.
Do not touch the contacts of the battery and do not remove the factory-applied grease from the contacts.
- Use only a slightly damp cloth to clean the housing. Do not use cleaning agents containing silicone as these can attack the plastic parts.

Maintenance

- Check all visible parts and controls for signs of damage at regular intervals and make sure that they all function correctly.
- Do not use the product if signs of damage are found or if parts malfunction. Immediately have the product repaired by **Hilti Service**.
- After cleaning and maintenance, install all guards and protective devices and check that they are in full working order.



To help ensure safe and reliable operation, use only genuine Hilti spare parts and consumables. Spare parts, consumables and accessories approved by **Hilti** for use with your product can be found at your **Hilti Store** or online at: www.hilti.group

7.2 Cleaning the dust shield

- ▶ Clean the dust shield on the chuck with a dry, clean cloth at regular intervals.
- ▶ Clean the sealing lip by wiping it carefully and then grease it again lightly with **Hilti** grease.
- ▶ It is essential that the dust shield is replaced if the sealing lip is damaged.

8 Transport and storage

8.1 Transport and storage of cordless tools and batteries

Transport

CAUTION

Accidental starting during transport !

- ▶ Always transport your products with the batteries removed!
- ▶ Remove the battery/batteries.
- ▶ Never transport batteries loose and unprotected. During transport, batteries should be protected from excessive shock and vibration and isolated from any conductive materials or other batteries that may come in contact with the terminals and cause a short circuit. **Comply with the locally applicable regulations for transporting batteries.**
- ▶ Do not send batteries through the mail. Consult your shipper for instructions on how to ship undamaged batteries.
- ▶ Prior to each use and before and after prolonged transport, check the product and the batteries for damage.

Storage

WARNING

Accidental damage caused by defective or leaking batteries !

- ▶ Always store your products with the batteries removed!
- ▶ Store the product and the batteries in a cool and dry place. Comply with the temperature limits stated in the technical data.
- ▶ Do not store batteries on the charger. Always remove the battery from the charger when the charging operation has completed.
- ▶ Never leave batteries in direct sunlight, on sources of heat, or behind glass.
- ▶ Store the product and batteries where they cannot be accessed by children or unauthorized persons.
- ▶ Prior to each use and before and after prolonged storage, check the product and the batteries for damage.








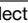
9 Troubleshooting

If the trouble you are experiencing is not listed in this table or you are unable to remedy the problem by yourself, please contact **Hilti Service**.



9.1 The rotary hammer is not in working order

Malfunction	Possible cause	Action to be taken
The LEDs on the battery indicate nothing.	The battery is not fully inserted.	► Push the battery in until it engages with a double click.
	Battery is discharged.	► Change the battery and charge the empty battery.
	The battery is too hot or too cold.	► Allow the battery to cool down or to warm up to room temperature.
1 LED on the battery blinks.	Battery is discharged.	► Change the battery and charge the empty battery.
	The battery is too hot or too cold.	► Allow the battery to cool down or to warm up to room temperature.
4 LEDs on the battery blink.	The rotary hammer has been overloaded briefly.	► Release the control switch and then press it again.

9.2 The rotary hammer is in working order

Trouble or fault	Possible cause	Action to be taken
No hammering action.	The rotary hammer is too cold.	► Bring the tip of the drill bit into contact with the working surface, switch the rotary hammer on and allow it to run. If necessary, repeat the procedure until the hammering mechanism begins to operate.
	The function selector switch is set to "Drilling without hammering"  .	► Set the function selector switch to "Hammer drilling"  .
The control switch can't be pressed, i.e. the switch is locked.	The forward / reverse switch is in the middle position.	► Push the forward / reverse switch to the right or left.
The drive spindle does not rotate.	The permissible operating temperature of the rotary hammer's electronics has been exceeded.	► Allow the tool to cool down.
	Battery is discharged.	► Change the battery and charge the empty battery.
	The function selector switch is not correctly engaged, is set to "Chiseling"  , or is set to "Chisel positioning"  .	► Set the function selector switch to "Drilling without hammering"  or "Hammer drilling"  .
The rotary hammer switches itself off automatically.	The overload cut-out has been activated.	► Release the control switch. Allow the rotary hammer to cool down. Press the control switch again. Reduce the load on the tool.
The battery runs down more quickly than usual.	Very low ambient temperature.	► Allow the battery to warm up slowly to room temperature.
The battery does not engage with an audible "double click".	The retaining lugs on the battery are dirty.	► Clean the retaining lugs and refit the battery.



Trouble or fault	Possible cause	Action to be taken
The rotary hammer or the battery gets very hot.	Electrical fault.	▶ Switch off the rotary hammer immediately. Remove the battery and keep it under observation. Allow it to cool down. Contact Hilti service.
	The rotary hammer has been overloaded.	▶ Use a more powerful tool.
The insert tool can't be released.	The chuck is not pulled back fully.	▶ Pull the chuck back as far as it will go and remove the tool.
The tool makes no progress.	The rotary hammer has been set to reverse rotation.	▶ Move the forward / reverse switch to the "Forward" position.
	The function selector switch is set to "Drilling without hammering"  .	▶ Set the function selector switch to "Hammer drilling"  .

10 Optional accessories

10.1 DCD dust control ring

The DCD dust control ring is an accessory for **Hilti** rotary hammer drills. It collects a high percentage of the dust produced by overhead work and it attaches quickly and easily to the rotary hammer drill.


10.2 TE DRS-6-A / TE DRS-6-A OSHA dust removal module

The TE DRS-6-A dust removal module is an accessory for the **Hilti** TE 6-A22 rotary hammer drill. It collects a high percentage of the dust and it attaches quickly and easily to the rotary hammer drill. The dust removal module has a built-in extractor fan. This fan is driven by its own motor. When the rotary hammer drill is switched on the dust removal module draws its electric power from the rotary hammer drill's battery. The dust removal module is not suitable for working on metal and wood.

Conditions: TE DRS-6-A OSHA

The TE DRS-6-A OSHA satisfies the requirements of OSHA 1926.1153 Table 1. It has a filter-cleaning mechanism.

10.2.1 Fitting the dust removal module

 Before fitting the module, check that the attachment points and the electrical interfaces on the rotary hammer drill and dust removal module are free of dust and that the parts fit or move freely and easily.

1. Check the dust removal module for damage.
2. Check the ease of movement of the telescoping mechanism.
3. Set the forward / reverse switch on the rotary hammer drill to the middle position.
4. Remove the depth gauge from the side handle.
5. Position the dust removal module on the guides and from the front, push it on to the power tool until it engages.
6. After fitting, check that the dust removal module is secure.

10.2.2 Drilling with the dust removal module

1. Start the dust removal module by pressing the control button on the rotary hammer drill.
2. Hold down the control button until full suction power is reached.
3. Position the suction head with the edge seated flat against the work surface.
4. Drill the hole and ease the product slowly out of the drilled hole in order to catch as much dust as possible.



10.2.3 Emptying the dust box



Regular cleaning and emptying are necessary because a full dust box or a clogged filter can lead to excessive dust formation.

Empty the dust box after drilling 8-10 holes (16 mm x 50 mm) (5/8 in x 2 in).

To minimize dust formation, carefully transfer the dust to a container with a tight-fitting lid.

1. Hold the power tool horizontal and allow it to run for a short time.
 - ▶ This ensures that residual dust deposits in the dust removal module are drawn into the dust box.
2. Press and hold down the release button of the dust box.
3. Pull the dust box down and clear of the dust removal module.
4. Empty the dust box.
 - ▶ Filter is clogged.
 - ▶ Change the filter.
 - ▶ Filter is free of dust.
5. Push the empty dust box back into the dust removal module from below until it engages.

10.2.4 Cleaning the TE-DRS-OSHA filter



Clean the filter after drilling 5 holes (16 mm x 50 mm) (1/2 in x 3 in).

- ▶ When suction power diminishes, slide the cleaning mechanism 5 times forward and back until it audibly clicks on each slide.

10.2.5 Removing the dust removal module

1. Set the forward / reverse switch on the rotary hammer drill to the middle position.
2. Press and hold down the DRS release button.
3. Pull the dust removal module forward and clear of the power tool.


11 Disposal



WARNING

Risk of injury due to incorrect disposal! Health hazards due to escaping gases or liquids.

- ▶ DO NOT send batteries through the mail!
- ▶ Cover the terminals with a non-conductive material (such as electrical tape) to prevent short circuiting.
- ▶ Dispose of your battery out of the reach of children.
- ▶ Dispose of the battery at your **Hilti Store**, or consult your local governmental garbage disposal or public health and safety resources for disposal instructions.

 Most of the materials from which **Hilti** products are manufactured can be recycled. The materials must be correctly separated before they can be recycled. In many countries, your old tools, machines or appliances can be returned to **Hilti** for recycling. Ask **Hilti Service** or your Hilti sales representative for further information.



- ▶ Do not dispose of power tools, electronic equipment or batteries as household waste!

12 RoHS (Restriction of Hazardous Substances Policy)

Under the following link you will find the table of hazardous substances: qr.hilti.com/r4695.

You will find a link to the RoHS table as a QR code at the end of this documentation.

13 Manufacturer's warranty

- ▶ Please contact your local **Hilti** representative if you have questions about the warranty conditions.



Notice d'utilisation originale

1 Indications relatives au mode d'emploi

1.1 À propos de ce mode d'emploi

- Avant de mettre l'appareil en marche, lire impérativement ce mode d'emploi. C'est la condition préalablement requise pour assurer la sécurité du travail et un maniement sans perturbations.
- Bien respecter les consignes de sécurité et les avertissements du présent mode d'emploi ainsi que celles figurant sur le produit.
- Toujours conserver le mode d'emploi à proximité du produit et uniquement transmettre le produit à des tiers accompagné de ce mode d'emploi.

1.2 Explication des symboles

1.2.1 Avertissements

Les avertissements attirent l'attention sur des dangers liés à l'utilisation du produit. Les termes de signalisation suivants sont utilisés :

 **DANGER**

DANGER !

- Pour un danger imminent qui peut entraîner de graves blessures corporelles ou la mort.

 **AVERTISSEMENT**

AVERTISSEMENT !

- Pour un danger potentiel qui peut entraîner de graves blessures corporelles ou la mort.





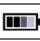

 **ATTENTION**

ATTENTION !

- Pour une situation potentiellement dangereuse pouvant entraîner des blessures corporelles ou des dégâts matériels.





1.2.2 Symboles dans le manuel d'utilisation

Les symboles suivants sont utilisés dans le présent manuel d'utilisation :

	Respecter le manuel d'utilisation
	Pour des conseils d'utilisation et autres informations utiles
	Maniement des matériaux recyclables
	Ne pas jeter les appareils électriques et les accus dans les ordures ménagères
	Hilti Accu Li-Ion
	Hilti Chargeur

1.2.3 Symboles dans les illustrations

Les symboles suivants sont utilisés dans les illustrations :

	Ces chiffres renvoient à l'illustration correspondante au début du présent manuel d'utilisation.
	La numérotation dans les illustrations indique les étapes de travail importantes ou les composants importants pour les étapes de travail. Dans le texte, ces étapes de travail ou composants sont mis en évidence avec les numéros correspondants, par ex. (3) .
	Les numéros de position sont utilisés dans l'illustration Vue d'ensemble et renvoient aux numéros des légendes dans la section Vue d'ensemble du produit .
	Ce signe doit inviter à manier le produit en faisant particulièrement attention.



1.3 Symboles spécifiques au produit

1.3.1 Symboles

Les symboles suivants peuvent être utilisés sur le produit :

	Perçage sans percussion
	Perçage avec percussion
	Burinage
	Positionnement du burin
	Sens de rotation droite/gauche
	Vitesse nominale à vide
	Courant continu
	Accu lithium-ions
	Série de type d'accu Li-Ion Hilti utilisée. Observer les instructions au chapitre Utilisation conforme à l'usage prévu .
	Ne jamais utiliser l'accu comme outil de percussion.
	Ne pas laisser tomber l'accu. Ne pas utiliser d'accu ayant subi un choc ou d'autres dommages.
	L'appareil prend en charge la technologie NFC qui est compatible avec les plates-formes iOS et Android.

1.4 Informations produit

Les produits sont destinés aux professionnels et ne doivent être utilisés, entretenus et réparés que par un personnel autorisé et formé. Ce personnel doit être spécialement instruit quant aux dangers inhérents à l'utilisation de l'appareil. Le produit et ses accessoires peuvent s'avérer dangereux s'ils sont utilisés de manière incorrecte par un personnel non qualifié ou de manière non conforme à l'usage prévu.

La désignation du modèle et le numéro de série figurent sur sa plaque signalétique.

- ▶ Inscrivez le numéro de série dans le tableau suivant. Les informations produit vous seront demandées lorsque vous contactez nos revendeurs ou services après-vente.

Caractéristiques produit

Perforateur-burineur	TE 6-A22
Génération	04
N° de série	

1.5 Déclaration de conformité

Nous déclarons sous notre seule et unique responsabilité que le produit décrit ici est conforme aux directives et normes en vigueur. Une copie de la Déclaration de conformité se trouve en fin de la présente documentation.

Pour obtenir les documentations techniques, s'adresser à :

Hilti Entwicklungsgesellschaft mbH | Zulassung Geräte | Hiltistraße 6 | 86916 Kaufering, DE

2 Sécurité

2.1 Indications générales de sécurité pour les appareils électriques

AVERTISSEMENT Lire toutes les consignes de sécurité et instructions, illustrations et caractéristiques techniques, qui accompagnent cet outil électroportatif. Tout manquement à l'observation des instructions suivantes risque de provoquer une électrocution, un incendie et/ou de graves blessures.



Les consignes de sécurité et instructions doivent être intégralement conservées pour les utilisations futures.

La notion d'« outil électroportatif » mentionnée dans les consignes de sécurité se rapporte à des outils électriques raccordés au secteur (avec câble d'alimentation) et à des outils électriques sur accu (sans câble d'alimentation).

Sécurité sur le lieu de travail

- ▶ **Conserver la zone de travail propre et bien éclairée.** Un lieu de travail en désordre ou mal éclairé augmente le risque d'accidents.
- ▶ **Ne pas faire fonctionner les outils électriques en atmosphère explosive et où se trouvent des liquides, des gaz ou poussières inflammables.** Les outils électriques produisent des étincelles qui peuvent enflammer les poussières ou les fumées.
- ▶ **Maintenir les enfants et les personnes présentes à l'écart pendant l'utilisation de l'outil électroportatif.** En cas d'inattention il y a risque de perdre le contrôle de l'appareil.

Sécurité relative au système électrique

- ▶ **La fiche de secteur de l'outil électroportatif doit être adaptée à la prise de courant. Ne jamais modifier la fiche de quelque façon que ce soit. Ne pas utiliser d'adaptateurs avec des outils électriques à branchement de terre.** Des fiches non modifiées et des prises de courant adaptées réduiront le risque de choc électrique.
- ▶ **Éviter le contact physique avec des surfaces mises à la terre tels que tuyaux, radiateurs, cuisinières et réfrigérateurs.** Il y a un risque élevé de choc électrique au cas où votre corps serait relié à la terre.
- ▶ **Ne pas exposer les outils électroportatifs à la pluie ou à l'humidité.** La pénétration d'eau à l'intérieur d'un outil électroportatif augmentera le risque d'un choc électrique.
- ▶ **Ne jamais utiliser le câble de raccordement à d'autres fins que celles prévues, telles que pour porter, accrocher ou débrancher l'outil électroportatif de la prise de courant. Maintenir le câble de raccordement à l'écart de la chaleur, des parties grasses, des bords tranchants ou des parties en mouvement.** Des câbles de raccordement endommagés ou emmêlés augmentent le risque de choc électrique.
- ▶ **Si l'outil électroportatif est utilisé à l'extérieur, utiliser uniquement des câbles de rallonge homologués pour les applications extérieures.** L'utilisation d'un câble de rallonge homologué pour les applications extérieures réduit le risque d'un choc électrique.
- ▶ **Si l'utilisation de l'outil électrique dans un environnement humide ne peut pas être évitée, utiliser un interrupteur de protection contre les courants de court-circuit.** L'utilisation d'un tel interrupteur de protection réduit le risque d'une décharge électrique.

Sécurité des personnes

- ▶ **Rester vigilant, surveiller ce que l'on fait. Faire preuve de bon sens en utilisant l'outil électroportatif. Ne pas utiliser l'outil électroportatif en étant fatigué ou sous l'emprise de l'alcool, de drogues ou de médicaments.** Un moment d'inattention lors de l'utilisation de l'outil électroportatif peut entraîner des blessures graves.
- ▶ **Utiliser un équipement de protection personnel et toujours porter une protection pour les yeux.** Les équipements de protection personnels tels que masque antipoussière, chaussures de sécurité antidérapantes, casque de protection ou protection acoustique suivant l'utilisation de l'outil électroportatif, réduiront le risque de blessures des personnes.
- ▶ **Éviter une mise en service par mégarde. S'assurer que l'outil électroportatif est arrêté avant de brancher à la source de courant et/ou à l'accu, de le prendre ou de le porter.** Le fait de porter l'outil électroportatif avec le doigt sur l'interrupteur ou de brancher l'appareil sur la source de courant lorsque l'interrupteur est en position de fonctionnement peut entraîner des accidents.
- ▶ **Retirer tout outil de réglage ou toute clé avant de mettre l'outil électroportatif en fonctionnement.** Une clé ou un outil se trouvant sur une partie en rotation peut causer des blessures.
- ▶ **Adopter une bonne posture. Veiller à toujours garder une position stable et équilibrée.** Cela permet un meilleur contrôle de l'outil électroportatif dans des situations inattendues.
- ▶ **S'habiller de manière adaptée. Ne pas porter de vêtements amples ni de bijoux. Garder les cheveux, les vêtements et les gants à distance des parties en mouvement.** Des vêtements amples, des bijoux ou des cheveux longs peuvent être happés par des parties en mouvement.
- ▶ **Si des dispositifs servant à aspirer ou à recueillir les poussières doivent être utilisés, s'assurer qu'ils sont effectivement raccordés et correctement utilisés.** L'utilisation d'un dispositif d'aspiration de la poussière peut réduire les risques dus aux poussières.
- ▶ **Ne pas sous-estimer les mesures de sécurité à prendre et ne pas ignorer sciemment les règles de sécurité applicables aux outils électriques, même si l'on est utilisateur chevronné après de fréquentes utilisations de l'outil électroportatif.** Un manque d'attention peut conduire à de graves blessures en quelques fractions de seconde.



Utilisation et maniement de l'outil électroportatif

- ▶ **Ne pas forcer l'appareil. Utiliser l'outil électroportatif adapté au travail à effectuer.** Un outil électroportatif approprié réalisera mieux le travail et de manière plus sûre au régime pour lequel il a été conçu.
- ▶ **Ne pas utiliser d'outil électroportatif dont l'interrupteur est défectueux.** Tout outil électroportatif qui ne peut plus être mis en ou hors fonctionnement est dangereux et doit être réparé.
- ▶ **Débrancher la fiche de la prise de courant et/ou l'accu amovible avant d'effectuer des réglages sur l'appareil, de changer les accessoires, ou de ranger l'appareil.** Cette mesure de précaution empêche une mise en fonctionnement par mégarde de l'outil électroportatif.
- ▶ **Conserver les outils électroportatifs non utilisés hors de portée des enfants. Ne permettre l'utilisation de l'appareil à aucune personne qui ne soit pas familiarisée avec celui-ci ou qui n'a pas lu ces instructions.** Les outils électroportatifs sont dangereux lorsqu'ils sont entre les mains de personnes non initiées.
- ▶ **Prendre soin des outils électroportatifs et des accessoires. Vérifier que les parties en mouvement fonctionnent correctement et qu'elles ne sont pas coincées, et contrôler si des parties sont cassées ou endommagées de sorte que le bon fonctionnement de l'outil électroportatif s'en trouve entravé. Faire réparer les parties endommagées avant d'utiliser l'appareil.** De nombreux accidents sont dus à des outils électroportatifs mal entretenus.
- ▶ **Garder les outils de coupe affûtés et propres.** Des outils destinés à couper correctement entretenus avec des arêtes de coupe tranchantes sont moins susceptibles de bloquer et sont plus faciles à contrôler.
- ▶ **L'outil électroportatif, les accessoires, les outils amovibles, etc. doivent être utilisés conformément à ces instructions. Tenir également compte des conditions de travail et du travail à réaliser.** L'utilisation des outils électroportatifs à d'autres fins que celles prévues peut entraîner des situations dangereuses.
- ▶ **Veiller à ce que les poignées et surfaces de préhension soient toujours être sèches, propres et exemptes de traces de graisse ou d'huile.** Avec des poignées et surfaces de préhension glissantes, la sécurité et le contrôle de l'outil électroportatif ne peuvent être assurés dans des situations inopinées.

Utilisation et maniement de l'outil sur accu

- ▶ **Ne charger les accus que dans des chargeurs recommandés par le fabricant.** Si un chargeur approprié à un type spécifique d'accus est utilisé avec des accus non recommandés pour celui-ci, il y a risque d'incendie.
- ▶ **Dans les outils électroportatifs, utiliser uniquement les accus spécialement prévus pour ceux-ci.** L'utilisation de tout autre accu peut entraîner des blessures et des risques d'incendie.
- ▶ **Tenir l'accu non utilisé à l'écart de tous objets métalliques tels qu'agrafes, pièces de monnaie, clés, clous, vis ou autres, étant donné qu'un pontage peut provoquer un court-circuit.** Un court-circuit entre les contacts d'accu peut provoquer des brûlures ou un incendie.
- ▶ **En cas d'utilisation abusive, du liquide peut sortir de l'accu. Éviter tout contact avec ce liquide. En cas de contact par mégarde, rincer soigneusement avec de l'eau. Au cas où le liquide rentrerait dans les yeux, consulter en plus un médecin.** Le liquide qui sort de l'accu peut entraîner des irritations de la peau ou causer des brûlures.
- ▶ **Ne pas utiliser d'accu endommagé ou modifié.** Des accus endommagés ou modifiés peuvent avoir un comportement imprévisible et provoquer un incendie, une explosion ou engendrer un risque de blessures.
- ▶ **Ne jamais exposer l'accu au feu ou à des températures trop élevées.** Le feu ou des températures supérieures à 130 °C (265 °F) peuvent provoquer une explosion.
- ▶ **Suivre toutes les instructions de charge et ne jamais charger l'accu ou l'outil sur accu hors de la plage de températures spécifiée dans le manuel d'utilisation.** Une charge inappropriée ou hors de la plage de températures spécifiée risque d'endommager l'accu et accroître le risque d'incendie.

Service

- ▶ **L'outil électroportatif doit uniquement être réparé par un personnel qualifié et seulement avec des pièces de rechange d'origine.** Ceci permet d'assurer la sécurité de l'appareil.
- ▶ **Ne jamais entretenir d'accus endommagés.** Toutes les opérations d'entretien sur des accus doivent exclusivement être réalisées par le fabricant ou un prestataire de service client agréé.

2.2 Indications générales de sécurité applicables aux burineurs

Consignes de sécurité pour tous les travaux

- ▶ **Porter un casque antibruit.** Le bruit peut entraîner des pertes auditives.
- ▶ **Utiliser la poignée supplémentaire livrée avec l'appareil.** La perte de contrôle peut entraîner des blessures.



- ▶ Tenir l'appareil par les surfaces isolées des poignées lors des travaux pendant lesquels l'outil utilisé risque de toucher des câbles électriques cachés. Le contact avec un câble sous tension risque de mettre les parties métalliques de l'appareil sous tension et de provoquer une décharge électrique.

Consignes de sécurité lors de l'utilisation de la mèche longue

- ▶ Toujours commencer l'opération de perçage à vitesse réduite et alors que la mèche est en contact avec la pièce travaillée. En cas de vitesse de rotation plus élevée, la mèche risque de se déformer légèrement si elle peut tourner librement sans contact avec la pièce travaillée et entraîner des blessures.
- ▶ Ne pas exercer de pression excessive et seulement dans le sens longitudinal. Les mèches peuvent se tordre et donc se casser, ou il peut y avoir perte de contrôle de l'appareil ce qui entraîne un risque de blessures.

2.3 Consignes de sécurité supplémentaires spécifiques au perforateur-burineur

Sécurité des personnes

- ▶ Utiliser le produit et les accessoires uniquement s'ils sont en parfait état.
- ▶ Ne jamais entreprendre de manipulation ni de modification sur le produit ou les accessoires.
- ▶ Utiliser les poignées supplémentaires livrées avec le produit. La perte de contrôle peut entraîner des blessures.
- ▶ Lors de travaux d'ajourage, protéger l'espace du côté opposé aux travaux. Des morceaux de matériaux risquent d'être éjectés et / ou de tomber, et de blesser d'autres personnes.
- ▶ Toujours tenir le produit des deux mains par les poignées prévues à cet effet. Tenir les poignées toujours sèches et propres.
- ▶ Tenir le produit par les surfaces de préhension isolées lors de travaux pendant lesquels l'outil amovible risque de toucher des câbles électriques cachés. Le contact avec un câble sous tension risque de mettre les parties métalliques de l'appareil sous tension et de provoquer une décharge électrique.
- ▶ Éviter de toucher des pièces en rotation – Risque de blessures !
- ▶ Pendant l'utilisation du produit, porter des lunettes de protection, un casque de protection, un casque antibruit et une protection respiratoire appropriée.
- ▶ Porter des gants de protection pour changer d'outil. Risque de blessures par coupure et de brûlures au contact avec l'outil amovible.
- ▶ Porter des lunettes de protection. Les éclats de matière peuvent entraîner des blessures corporelles et aux yeux.
- ▶ La poussière générée par le meulage, le ponçage, le tronçonnage et le forage peut contenir des produits chimiques dangereux. Par exemple : plomb ou peinture à base de plomb ; brique, béton et autres produits de maçonnerie, pierre naturelle et autres produits contenant des silicates ; certains bois, tels que le chêne, le hêtre et le bois traité chimiquement ; amiante ou matériaux contenant de l'amiante. Déterminer l'exposition de l'opérateur et personnes se trouvant dans l'entourage en fonction de la classe de danger des matériaux traités. Prendre les mesures nécessaires pour maintenir l'exposition à un niveau sûr, par exemple en utilisant un système de collecte des poussières ou en portant une protection respiratoire appropriée. Mesures générales visant à réduire l'exposition :
 - ▶ Travailler dans un endroit bien ventilé
 - ▶ Éviter le contact prolongé avec la poussière
 - ▶ Faire en sorte que la poussière soit dirigée loin du visage et du corps
 - ▶ Porter des vêtements de protection et laver les zones exposées à l'eau et au savon
- ▶ Faire régulièrement des pauses et des exercices pour favoriser l'irrigation sanguine dans les doigts. En cas de travaux prolongés, les fortes vibrations peuvent perturber la circulation dans les vaisseaux sanguins ou le système nerveux dans les doigts, les mains ou le poignet.

Sécurité relative au système électrique

- ▶ Avant d'entamer le travail, vérifier qu'il n'y a pas de câbles ou gaines électriques, tuyaux de gaz ou d'eau cachés dans la zone d'intervention. Les parties métalliques externes du produit peuvent provoquer un choc électrique ou une explosion si vous endommagez une ligne électrique, une conduite de gaz ou une conduite d'eau.

Utilisation et emploi soigneux de l'outil électroportatif

- ▶ Arrêter immédiatement le produit si l'outil amovible se bloque. Le produit peut dévier latéralement.
- ▶ Attendre l'arrêt complet du produit avant de le déposer.

2.4 Consignes de sécurité applicables au module récupérateur de poussières

- ▶ Bien respecter les consignes de sécurité de la présente documentation ainsi que celles figurant sur l'appareil.



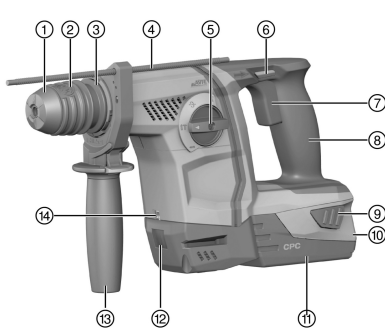
- ▶ Porter un masque respiratoire pour protéger le visage et les voies respiratoires des poussières résiduelles produites lors du perçage et des travaux d'entretien.
- ▶ Même si le module récupérateur de poussières est monté, toujours utiliser la poignée latérale du perceur-burineur **Hilti**.

2.5 Utilisation et emploi soigneux des accus

- ▶ Respecter les directives spécifiques relatives au transport, au stockage et à l'utilisation des accus Li-Ion.
- ▶ Ne pas exposer les accus à des températures élevées, ni au rayonnement direct du soleil ni au feu.
- ▶ Les accus ne doivent pas être démontés, écrasés, chauffés à une température supérieure à 80 °C (176 °F) ou jetés au feu.
- ▶ Ne jamais utiliser ni charger d'accus qui ont subi un choc électrique, qui sont tombés de plus d'un mètre ou qui ont été endommagés d'une manière quelconque. Si tel est le cas, il convient de contacter le **S.A.V Hilti**.
- ▶ Si l'accu est trop chaud pour être touché, il est probablement défectueux. Placer l'accu dans un endroit bien visible, non inflammable et suffisamment éloigné de matériaux inflammables. Laisser l'accu refroidir. Si, après une heure, l'accu est toujours trop chaud pour être saisi, c'est qu'il est défectueux. Contacter le **S.A.V. Hilti**.

3 Description

3.1 Vue d'ensemble du produit



- ① Protection anti-poussière
- ② Mandrin
- ③ Déverrouillage de l'outil
- ④ Butée de profondeur
- ⑤ Sélecteur de fonction
- ⑥ Inverseur du sens de rotation droite / gauche avec dispositif de blocage
- ⑦ Variateur électronique de vitesse
- ⑧ Poignée
- ⑨ Boutons de déverrouillage pour accu
- ⑩ Affichage de l'état de charge et des défauts (accu Li-Ion)
- ⑪ Accu
- ⑫ Raccord pour le module d'aspiration de poussières TE DRS-6-A(02)
- ⑬ Poignée latérale
- ⑭ Éclairage du champ de travail

3.2 Utilisation conforme à l'usage prévu

Le produit décrit est un perceur-burineur sur accu. Il est conçu pour percer dans de l'acier, du bois et de la maçonnerie, percer avec percussion dans du béton et de la maçonnerie et pour serrer et desserrer de la visserie. Le produit peut également être utilisé pour les travaux de burinage légers sur maçonnerie et pour les retouches sur béton.

- ▶ Pour ce produit, utiliser exclusivement les accus Li-Ion **Hilti** de la série B 22.
- ▶ Pour ces accus, utiliser exclusivement les accus Li-Ion **Hilti** de la série B22.

3.3 Affichage de l'état des accus Li-Ion

L'état de charge de l'accu Li-Ion ainsi que les dysfonctionnements de l'appareil sont signalés par le biais de l'affichage de l'accu Li-Ion. L'état de charge de l'accu Li-Ion peut être visualisé en appuyant légèrement sur l'un des deux boutons de déverrouillage.

État	Signification
4 LED allumées.	État de charge : 75 % à 100 %
3 LED allumées.	État de charge : 50 % à 75 %
2 LED allumées.	État de charge : 25 % à 50 %



État	Signification
1 LED allumée.	État de charge : 10 % à 25 %
1 LED clignote.	État de charge : < 10 %

i Il n'est pas possible d'interroger l'indicateur de l'état de charge lorsque le variateur électronique de vitesse est actionné et jusqu'à 5 secondes après avoir relâché le variateur électronique de vitesse. Si les LED de l'affichage de l'accu clignotent, se reporter au chapitre Aide au dépannage.

3.4 Éléments livrés

Perforateur-burineur, poignée latérale, butée de profondeur, notice d'utilisation.

D'autres produits système pour votre produit peuvent être trouvés dans votre **Hilti Store** ou à l'adresse : www.hilti.group

4 Caractéristiques techniques

4.1 Perforateur-burineur

	TE 6-A22
Tension de référence	21,6 V
Poids selon EPTA Procedure 01 avec accu B22/8.0	3,8 kg
Vitesse nominale à vide	1.050 tr/min
Plage de perçage dans le béton/la brique (perçage avec percussion)	4 mm ... 28 mm
Plage de perçage dans le bois (mèche monobloc)	3 mm ... 20 mm
Plage de perçage dans le métal (mèche monobloc)	3 mm ... 13 mm

4.2 Valeurs de bruit et de vibrations selon EN 62841

Les valeurs de pression acoustique et de vibrations mentionnées dans ces instructions ont été mesurées conformément à un procédé de mesure normalisé et peuvent être utilisées comme base de comparaison d'outils électroportatifs. Elles sont de plus adaptées à une évaluation préalable de l'exposition aux bruits et aux vibrations.

Les indications fournies correspondent aux principales applications de l'outil électroportatif. Ces données peuvent néanmoins différer si l'outil électroportatif est utilisé pour d'autres applications ou avec des outils coupants différents, ou bien si l'entretien s'avère insuffisant. Dans ce cas, les expositions peuvent augmenter nettement dans tout l'espace de travail.

Pour une évaluation précise des expositions, il convient également de prendre en compte les temps durant lesquels l'outil électroportatif est arrêté ou marche à vide. Cela peut réduire considérablement les contraintes d'exposition dans tout l'espace de travail.

Par ailleurs, il convient de prendre des mesures de sécurité supplémentaires en vue de protéger l'opérateur des effets du bruit ou des vibrations, par exemple : entretien de l'outil électroportatif et des outils de coupe, maintien des mains à bonne température, organisation des processus de travail.

Valeur d'émissions sonores

Niveau de puissance acoustique (L_{WA})	100 dB(A)
Niveau de pression acoustique d'émission (L_{pA})	89 dB(A)
Incertitude (niveaux sonores) (K_{pA} et K_{WA})	3 dB(A)

Valeurs totales des vibrations

	TE 6-A22	
Perçage avec percussion dans le béton ($a_{h, HD}$)	B 22/2.6 Li-Ion (02)	19,9 m/s ²
	B 22/8.0 Li-Ion	17,1 m/s ²
Incertitude lors du perçage avec percussion dans le béton	B 22/2.6 Li-Ion (02)	2,1 m/s ²
	B 22/8.0 Li-Ion	1,5 m/s ²
Burinage ($a_{h, CHEq}$)	B 22/2.6 Li-Ion (02)	10,9 m/s ²
	B 22/8.0 Li-Ion	12,1 m/s ²



		TE 6-A22
Incertitude lors du burinage	B 22/2.6 Li-Ion (02)	1,5 m/s ²
	B 22/8.0 Li-Ion	1,5 m/s ²

4.3 Batterie

Tension nominale de l'accu	21,6 V
Température de service en cours de service	-17 °C ... 60 °C
Température de stockage	-20 °C ... 40 °C
Température de l'accu au début de la charge	-10 °C ... 45 °C

5 Utilisation

5.1 Préparatifs



AVERTISSEMENT

Risque de blessures du fait d'une mise en marche inopinée !

- ▶ Avant d'insérer l'accu, s'assurer que le produit correspondant est bien sur arrêt.
- ▶ Retirer le bloc-accu, avant d'effectuer des réglages sur l'appareil ou de changer les accessoires.

Bien respecter les consignes de sécurité et les avertissements de la présente documentation ainsi que celles figurant sur le produit.

5.2 Introduction de l'accu



ATTENTION

Risque de blessures ! Mise en marche inopinée du perforateur-burineur.

- ▶ Avant d'insérer l'accu, s'assurer que le perforateur-burineur est bien sur arrêt et que l'inverseur du sens de rotation droite / gauche (blocage anti-démarrage) est en position médiane.

1. Insérer l'accu dans l'appareil jusqu'à ce qu'il s'encliquette avec un clic audible.
2. Vérifier que l'accu est bien en place.

5.3 Retrait de l'accu

1. Appuyer sur les boutons de déverrouillage de l'accu.
2. Retirer l'accu vers l'arrière.

5.4 Montage de la poignée latérale



ATTENTION

Risque de blessures ! Perte de contrôle sur le produit.

- ▶ S'assurer que la poignée latérale est bien montée et correctement serrée. Veiller à ce que le collier de serrage soit dans l'écrou prévu à cet effet sur le produit.

1. Tourner le dispositif de serrage (collier de serrage) sur la poignée latérale pour desserrer.
2. Faire glisser la butée de profondeur vers l'avant dans les 2 orifices de guidage prévus à cet effet.
3. Tourner le dispositif de serrage (collier de serrage) sur la poignée latérale pour serrer.

5.5 Montage et ajustage de la butée de profondeur

- ▶ Si nécessaire, monter la butée de profondeur et l'ajuster.



5.6 Montage/démontage du mandrin 6

ATTENTION

Risque de blessures ! L'utilisateur risque de se blesser s'il monte inutilement une butée de profondeur.

- ▶ Retirer la butée de profondeur de l'appareil.

- ▶ Monter/démonter le mandrin.

5.7 Mise en place de l'outil 7

1. Graisser légèrement l'emmanchement de l'outil amovible.
 - ▶ Utiliser exclusivement de la graisse **Hilti** d'origine. Une graisse inadéquate peut provoquer des dommages sur l'appareil.
2. Emmancher l'outil amovible à fond dans le porte-outil jusqu'à ce qu'il s'encliquette.
3. Une fois mis en place, vérifier que l'outil est bien serré dans le dispositif de verrouillage en tirant dessus.
 - ▶ Le produit est prêt à fonctionner.

5.8 Retrait de l'outil 8

- ▶ Retirer le dispositif de verrouillage de l'outil jusqu'à la butée et sortir l'outil amovible.

5.9 Travaux au plafond 9

- ▶ En cas de travaux effectués au-dessus de la tête, monter le manchon attrape-poussière DCD.

5.10 Positionnement du burin 10

- ▶ Régler le sélecteur de fonction sur cette position →.

6 Travail

ATTENTION

Risque d'endommagement du fait d'un mauvais maniement !

- ▶ Ne pas actionner l'interrupteur de sens de rotation et/ou de sélection de fonction pendant le fonctionnement.

Bien respecter les consignes de sécurité et les avertissements de la présente documentation ainsi que celles figurant sur le produit.

6.1 Sélecteur de fonction 10

- ▶ Régler le sélecteur de fonction sur la position de travail souhaitée.
 - ▶ Le sélecteur de fonction ne doit pas être actionné pendant le fonctionnement. **Risque d'endommagement !**

6.2 Sens de rotation droite/gauche 11

- ▶ Régler l'inverseur du sens de rotation droite / gauche sur le sens de rotation souhaité.

6.3 Perçage sans percussion

- ▶ Régler le sélecteur de fonction sur cette position

6.4 Perçage avec percussion

- ▶ Régler le sélecteur de fonction sur cette position

6.5 Burinage

- ▶ Régler le sélecteur de fonction sur cette position **T**.
 - ▶ Pour un refroidissement de moteur optimal, sélectionner le sens de rotation vers la droite (sens de rotation du perçage).



7 Nettoyage et entretien

7.1 Nettoyage et entretien

AVERTISSEMENT

Risque de blessures lorsque l'accu est inséré !

- ▶ Toujours retirer l'accu avant tous travaux de nettoyage et d'entretien !

Entretien du produit

- Éliminer avec précaution les saletés récalcitrantes.
- Le cas échéant, nettoyer soigneusement les ouïes d'aération à l'aide d'une brosse sèche et douce.
- Nettoyer le carter de l'appareil uniquement avec un chiffon légèrement humide. Ne pas utiliser de nettoyeurs à base de silicone car ceci pourrait attaquer les pièces en plastique.
- Utiliser un chiffon propre et sec pour nettoyer les contacts du produit.

Entretien des accus Li-ion

- Ne jamais utiliser un accu dont les ouïes d'aération sont bouchées. Nettoyer soigneusement les ouïes d'aération à l'aide d'une brosse sèche et douce.
- Éviter d'exposer inutilement l'accu à la poussière ou à la saleté. Ne jamais exposer l'accu à une forte humidité (par exemple en l'immergeant dans de l'eau ou en le laissant sous la pluie).
Si l'accu a été trempé, le traiter comme un accu endommagé. L'isoler dans un récipient ininflammable et s'adresser au S.A.V. **Hilti**.
- Veiller à ce que l'accu soit toujours exempt de traces de graisse et d'huile étrangères. Ne pas laisser de la poussière ou de la saleté s'accumuler inutilement sur l'accu. Nettoyer l'accu avec une brosse sèche et douce ou un chiffon propre et sec. Ne pas utiliser de nettoyeurs à base de silicone car ceci pourrait attaquer les pièces en plastique.
Ne pas toucher les contacts de l'accu et ne pas enlever la graisse appliquée en usine sur les contacts.
- Nettoyer le carter de l'appareil uniquement avec un chiffon légèrement humide. Ne pas utiliser de nettoyeurs à base de silicone car ceci pourrait attaquer les pièces en plastique.

Entretien

- Vérifier régulièrement qu'aucune pièce visible n'est endommagée et que les organes de commande sont parfaitement opérationnels.
- Ne pas utiliser le produit en cas d'endommagements et/ou de dysfonctionnements. Faire immédiatement réparer le produit par le S.A.V. **Hilti**.
- Après des travaux de nettoyage et d'entretien, vérifier si tous les équipements de protection sont bien en place et fonctionnent parfaitement.



Pour une utilisation en toute sécurité, utiliser uniquement des pièces de rechange et consommables d'origine. Vous trouverez les pièces de rechange, consommables et accessoires autorisés par **Hilti** convenant pour votre produit dans le centre **Hilti Store** ou sous : www.hilti.group

7.2 Nettoyage de la protection anti-poussière

- ▶ Nettoyer régulièrement la protection anti-poussière au niveau du mandrin au moyen d'un chiffon propre et sec.
- ▶ Essuyer la lèvres d'étanchéité avec précaution et la graisser à nouveau légèrement avec de la graisse **Hilti**.
- ▶ Si la lèvres d'étanchéité est endommagée, remplacer impérativement la protection anti-poussière.

8 Transport et stockage

8.1 Transport et stockage des outils sur accu et des accus

Transport

ATTENTION

Mise en marche inopinée lors du transport !

- ▶ Toujours retirer les accus avant de transporter les produits !
- ▶ Retirer le ou les accus.
- ▶ Ne jamais transporter les accus en vrac. Pendant le transport, les accus doivent être protégés des vibrations et chocs excessifs, isolés de tout matériau conducteur ou autre accu, pour éviter qu'ils



n'entrent en contact avec d'autres pôles de batterie et qu'ils provoquent un court-circuit. **Tenir compte des prescriptions locales pour le transport d'accus.**

- ▶ Ne pas envoyer les accus par la poste. S'adresser à un service d'expédition s'il faut envoyer des accus non endommagés.
- ▶ Contrôler l'état du produit et des accus avant chaque utilisation, ainsi qu'avant et après tout transport prolongé.

Stockage

AVERTISSEMENT

Endommagement involontaire du fait d'accus défectueux ou de chute d'accu !

- ▶ Toujours retirer les accus avant de stocker les produits !
-
- ▶ Stocker si possible le produit et les accus dans un endroit sec et frais. Respecter les valeurs limites de température indiquées dans les caractéristiques techniques.
 - ▶ Ne pas stocker les accus sur le chargeur. Retirer toujours l'accu du chargeur après la charge.
 - ▶ Ne jamais stocker les accus exposés au soleil, sur des sources de chaleur ou derrière des vitres.
 - ▶ Stocker le produit et les accus à l'abri des enfants et des personnes non autorisées.
 - ▶ Contrôler l'état du produit et des accus avant chaque utilisation, ainsi qu'avant et après tout stockage prolongé.

9 Aide au dépannage

En cas de défaillances non énumérées dans ce tableau ou auxquelles il n'est pas possible de remédier sans aide, contacter le S.A.V. Hilti.

9.1 Le perforateur-burineur n'est pas en état de marche

Défaillance	Causes possibles	Solution
Les LEDs sur l'accu n'indiquent rien.	L'accu n'est pas complètement encliqueté.	▶ Encliqueter l'accu d'un « double-clic ».
	Décharger l'accu.	▶ Remplacer l'accu et charger l'accu vide.
	Accu trop chaud ou trop froid.	▶ Laisser l'accu refroidir ou amener l'accu à la température ambiante.
1 LED clignote sur l'accu.	Décharger l'accu.	▶ Remplacer l'accu et charger l'accu vide.
	Accu trop chaud ou trop froid.	▶ Laisser l'accu refroidir ou amener l'accu à la température ambiante.
4 LEDs clignent sur l'accu.	Surcharge momentanée du perforateur-burineur.	▶ Relâcher le variateur électronique de vitesse et l'actionner à nouveau.

9.2 Le perforateur-burineur est en état de marche

Défaillance	Causes possibles	Solution
Absence de percussion.	Perforateur-burineur trop froid.	▶ Poser le perforateur-burineur sur le support et le laisser tourner à vide. Répéter si nécessaire jusqu'à ce que le mécanisme de frappe fonctionne.
	Sélecteur de fonction sur "Perçage sans percussion" .	▶ Tourner le sélecteur de fonction sur "Perçage avec percussion" .
Impossible d'enfoncer le variateur électronique de vitesse ou le variateur est bloqué.	Inverseur du sens de rotation droite / gauche sur la position médiane.	▶ Pousser l'inverseur du sens de rotation droite / gauche vers la droite ou la gauche.



Défaillance	Causes possibles	Solution
La broche de l'appareil ne tourne pas.	Dépassement de la température de service admissible pour le système électronique du perforateur-burineur.	► Laisser refroidir l'appareil.
	Décharger l'accu.	► Remplacer l'accu et charger l'accu vide.
	Sélecteur de fonction pas enclenché ou se trouvant sur la position "Burinage" T ou la position "Positionnement du burin" \rightarrow .	► Tourner le sélecteur de fonction sur la position "Perçage sans percussion" \rightarrow ou "Perçage avec percussion" IT .
Le perforateur-burineur s'arrête automatiquement.	La protection électronique contre les surcharges réagit.	► Relâcher le variateur électronique de vitesse. Laisser le perforateur-burineur refroidir. Réactionner le variateur électronique de vitesse. Réduire la charge de l'appareil.
L'accu se vide plus rapidement que d'habitude.	Température ambiante très basse.	► Laisser l'accu se réchauffer lentement à la température ambiante.
L'accu ne s'encliquette pas avec un « double-clic » audible.	Ergots d'encliquetage encrassés sur l'accu.	► Nettoyer les ergots d'encliquetage et réencliqueter l'accu dans son logement.
Important dégagement de chaleur dans le perforateur-burineur ou dans l'accu.	Défaut électrique	► Arrêter immédiatement le perforateur-burineur. Retirer l'accu et l'examiner. Le laisser refroidir. Contacter le S.A.V. Hilti .
	Perforateur-burineur surchargé.	► Choisir un appareil plus puissant.
L'outil ne sort pas du dispositif de verrouillage.	Le mandrin n'est pas complètement ouvert.	► Retirer le dispositif de verrouillage de l'outil jusqu'à la butée et sortir l'outil.
L'outil ne perce pas.	Perforateur-burineur réglé sur le sens de rotation gauche.	► Mettre l'inverseur du sens de rotation droite / gauche sur rotation droite.
	Sélecteur de fonction sur "Perçage sans percussion" \rightarrow .	► Tourner le sélecteur de fonction sur "Perçage avec percussion" IT .

10 Accessoires optionnels

10.1 Manchon attrape-poussière DCD

Le manchon attrape-poussière DCD s'utilise comme accessoire du perforateur-burineur **Hilti**. Il permet de collecter la majeure partie des poussières en cas de travaux effectués au-dessus de la tête, et se fixe facilement et rapidement au perforateur-burineur.

10.2 Récupérateur de poussières TE DRS-6-A / TE DRS-6-A OSHA

Le récupérateur de poussières TE DRS-6-A est un accessoire conçu pour le perforateur-burineur **Hilti** TE 6-A22. Il permet de collecter la majeure partie des poussières et se fixe facilement et rapidement au perforateur-burineur. Le récupérateur de poussières contient un ventilateur aspirant entraîné par son propre moteur. À la mise en marche du perforateur-burineur, la batterie de ce dernier alimente le récupérateur en électricité.

Le récupérateur de poussières ne convient pas pour l'usinage du métal et du bois.



Le TE DRS-6-A OSHA est conforme à la directive OSHA 1926.1153 Table 1. Il est équipé d'un mécanisme de nettoyage du filtre.

10.2.1 Montage du récupérateur de poussières **12**



Avant de procéder au montage, vérifier que les points de fixation et les interfaces électriques du perforateur-burineur et du récupérateur de poussières sont exempts de poussières et fonctionnent bien.

1. Vérifiez l'état du récupérateur de poussières.
2. Vérifier que la partie télescopique bouge correctement.
3. Mettre en position médiane l'inverseur du sens de rotation droite/gauche du perforateur-burineur.
4. Retirer la butée de profondeur de la poignée latérale.
5. Pousser le récupérateur de poussières vers l'avant de l'appareil jusqu'à ce qu'il s'encliquette.
6. Après le montage, vérifier que le récupérateur de poussières est bien encliqueté.

10.2.2 Perçage avec le récupérateur de poussières

1. Pour lancer le récupérateur de poussières, appuyer sur le bouton de commande du perforateur-burineur.
2. Maintenir le bouton de commande enfoncé jusqu'à ce que la puissance d'aspiration maximale soit atteinte.
3. Placer la tête d'aspiration verticalement sur le support.
4. Percer le trou et sortir lentement le produit du trou afin de récupérer le maximum de poussières.

10.2.3 Vidage du réservoir à poussière **13**



Pour éviter un dégagement de poussières excessif, il faut régulièrement vider le réservoir à poussière et décolmater le filtre si nécessaire.

Vider le réservoir à poussière après 8 à 10 trous (16 mm x 50 mm) (5/8 in x 2 in).

Pour minimiser le dégagement de poussières, conserver les poussières dans un conteneur fermé.

1. Tenir l'appareil à l'horizontale et le faire brièvement fonctionner.
 - ▶ Les restes de poussières se trouvant dans le récupérateur seront ainsi aspirés dans le réservoir.
2. Appuyer sur la touche de déverrouillage du réservoir à poussière et la maintenir enfoncée.
3. Sortir le réservoir du récupérateur en le tirant vers le bas.
4. Vider le réservoir à poussière.
 - ▶ Filtre encrassé
 - ▶ Remplacer le filtre.
 - ▶ Le filtre ne contient pas de salissures.
5. Insérer le réservoir à poussière par le bas dans le récupérateur jusqu'à ce qu'il se verrouille.

10.2.4 TE-DRS-OSHA-Nettoyage du filtre **14**



Nettoyer le filtre après 5 trous (16 mm x 50 mm) (1/2 pouce x 3 pouces).

- ▶ Lorsque la puissance d'aspiration diminue, appuyez 5 fois vers l'avant et 5 fois vers l'arrière sur le mécanisme de nettoyage, jusqu'à entendre un clic.

10.2.5 Démontage du récupérateur de poussières **15**

1. Mettre en position médiane l'inverseur du sens de rotation droite/gauche du perforateur-burineur.
2. Appuyer sur le levier de déverrouillage DRS et le maintenir enfoncé.
3. Tirer le récupérateur de poussières vers l'avant pour l'enlever de l'appareil.



11 Recyclage



AVERTISSEMENT

Risque de blessures en cas d'élimination incorrecte ! Émanations possibles de gaz et de liquides nocives pour la santé.

- ▶ Ne pas envoyer ni expédier d'accus endommagés !
- ▶ Recouvrir les raccordements avec un matériau non conducteur pour éviter tout court-circuit.
- ▶ Éliminer les accus en veillant à ce qu'ils soient hors de la portée des enfants.
- ▶ Éliminer l'accu en le déposant auprès du **Hilti Store** local ou s'adresser à l'entreprise de collecte des déchets compétente.



Les produits **Hilti** sont fabriqués pour une grande partie en matériaux recyclables. Le recyclage pré suppose un tri adéquat des matériaux. **Hilti** reprend les appareils usagés dans de nombreux pays en vue de leur recyclage. Consulter le service clients **Hilti** ou un conseiller commercial.



- ▶ Ne pas jeter les appareils électriques, électroniques et accus dans les ordures ménagères !

12 RoHS (Richtlinie zur Beschränkung der Verwendung gefährlicher Stoffe)

Unter folgendem Link finden Sie die Tabelle gefährlicher Stoffe: qr.hilti.com/r4695.

Einen Link zur RoHS-Tabelle finden Sie am Ende dieser Dokumentation als QR-Code.

13 Garantie constructeur

- ▶ En cas de questions sur les conditions de garantie, veuillez vous adresser à votre partenaire **Hilti** local.

Original brugsanvisning

1 Om brugsanvisningen

1.1 Om denne brugsanvisning

- Læs brugsanvisningen grundigt igennem inden ibrugtagning. Det er en forudsætning for sikkert arbejde og korrekt håndtering.
- Følg sikkerhedsanvisningerne og advarslerne i denne brugsanvisning og på produktet.
- Opbevar altid brugsanvisningen sammen med produktet, og overdrag kun produktet til andre personer sammen med denne brugsanvisning.

1.2 Tegnforklaring

1.2.1 Advarsler

Advarsler advarer mod farer ved håndtering af produktet. Følgende signalord anvendes:



FARE

FARE !

- ▶ Betegner en umiddelbart truende fare, der kan medføre alvorlige kvæstelser eller døden.



ADVARSEL

ADVARSEL !

- ▶ Står ved en potentielt truende fare, der kan medføre alvorlige kvæstelser eller døden.



FORSIGTIG

FORSIGTIG !

- ▶ Advarer om en potentielt farlig situation, der kan forårsage personskader eller materielle skader.



1.2.2 Symboler i brugsanvisningen

Der benyttes følgende symboler i denne brugsanvisning:

	Se brugsanvisningen
	Anvisninger for anvendelse og andre nyttige oplysninger
	Håndtering af genvindbare materialer
	Elektriske maskiner og batterier må ikke bortskaffes som almindeligt husholdningsaffald
	Hilti lithium-ion-batteri
	Hilti Lader

1.2.3 Symboler i illustrationer

Følgende symboler anvendes på illustrationer:

	Disse tal henviser til den pågældende illustration i begyndelsen af denne brugsanvisning.
	Nummereringen i illustrationerne henviser til vigtige arbejdsstrin eller for arbejdsstrin til vigtige komponenter. I teksten fremhæves disse arbejdsstrin eller komponenter med tilhørende numre, f.eks. (3) .
	Positionsnumre anvendes i illustrationen Oversigt og refererer til tallene i symbolforklaringen i afsnittet Produktoversigt .
	Dette symbol skal sikre skærpet opmærksomhed ved omgang med produktet.

1.3 Produktspecifikke symboler

1.3.1 Symboler

Følgende symboler kan være anvendt på produktet:

	Boring uden slagfunktion
	Boring med slagfunktion (hammerboring)
	Mejsling
	Placering af mejsel
	Højre-/venstreløb
n_0	Nominelt omdrejningstal ubelastet
	Jævnstrøm
Li-Ion	Lithium-ion-batteri
	Anvendt Hilti lithium-ion-batteriserie. Overhold oplysningerne i kapitlet Tilsigtet anvendelse .
	Brug aldrig batteriet som slagværktøj.
	Lad ikke batteriet falde på gulvet. Brug ikke et batteri, der har fået et slag eller på anden vis er beskadiget.
	Maskinen understøtter NFC-teknologi, som er kompatibel med iOS- og Android-platforme.



1.4 Produktoplysninger

-produkter er beregnet til professionel brug og må kun betjenes, efterses og vedligeholdes af autoriseret og instrueret personale. Dette personale skal i særdeleshed informeres om de potentielle farer, der er forbundet med anvendelsen af denne maskine. Der kan opstå farlige situationer ved anvendelse af produktet og det tilhørende udstyr, hvis det anvendes af personer, der ikke er blevet undervist i dens brug, eller hvis det ikke anvendes korrekt i henhold til forskrifterne i denne brugsanvisning.

Typebetegnelse og serienummer fremgår af typeskiltet.

- ▶ Notér serienummeret i den efterfølgende tabel. Du skal bruge produktoplysningerne ved henvendelser til vores lokale afdeling eller vores serviceværksted.

Produktoplysninger

Borehammer	TE 6-A22
Generation	04
Serienummer	

1.5 Overensstemmelseserklæring

Vi erklærer som eneansvarlige, at det beskrevne produkt er i overensstemmelse med gældende direktiver og standarder. Sidst i dette dokument finder du et billede af overensstemmelseserklæringen.

Den tekniske dokumentation er arkiveret her:

Hilti Entwicklungsgesellschaft mbH | Zulassung Geräte | Hiltistraße 6 | 86916 Kaufering, DE

2 Sikkerhed

2.1 Generelle sikkerhedsanvisninger for elværktøj

⚠ ADVARSEL Læs alle sikkerhedsanvisninger, henvisninger, billedtekster og tekniske data på elværktøjet. Hvis følgende anvisninger ikke overholdes, er der risiko for elektrisk stød, brand og/eller alvorlige personskader.

Opbevar alle sikkerhedsanvisninger og instruktioner til senere brug.

Det benyttede begreb "elværktøj" i sikkerhedsanvisningerne refererer til elektriske maskiner (med netledning) eller batteridrevne maskiner (uden netledning).

Arbejdspladssikkerhed

- ▶ **Sørg for at holde arbejdsområdet ryddeligt og godt oplyst.** Uorden eller uoplyste arbejdsområder øger faren for uheld.
- ▶ **Brug ikke elværktøj i eksplosionstruede omgivelser, hvor der er brændbare væsker, gasser eller støv.** Elværktøj kan slå gnister, der kan antænde støv eller dampe.
- ▶ **Sørg for, at andre personer og ikke mindst børn holdes væk fra arbejdsområdet, når elværktøjet er i brug.** Hvis man distraheres, kan man miste kontrollen over maskinen.

Elektrisk sikkerhed

- ▶ **Elværktøjets stik skal passe til kontakten. Stikket må under ingen omstændigheder ændres. Brug ikke adapterstik sammen med jordforbundne elværktøj.** Uændrede stik, der passer til kontakterne, nedsætter risikoen for elektrisk stød.
- ▶ **Undgå kropskontakt med jordforbundne overflader som f.eks. rør, radiatorer, komfurer og køleskabe.** Hvis din krop er jordforbundet, øges risikoen for elektrisk stød.
- ▶ **Elværktøj må ikke udsættes for regn eller fugt.** Indtrængning af vand i elværktøj øger risikoen for elektrisk stød.
- ▶ **Brug ikke ledningen til formål, den ikke er beregnet til (f.eks. må man aldrig bære elværktøjet i ledningen, hænge det op i ledningen eller rykke i ledningen for at trække stikket ud af kontakten).** Beskyt ledningen mod varme, olie, skarpe kanter eller dele, der er i bevægelse. Beskadigede eller sammenviklede ledninger øger risikoen for elektrisk stød.
- ▶ **Hvis elværktøjet benyttes i det fri, må der kun benyttes en forlængerledning, der er egnet til udendørs brug.** Brug af forlængerledning til udendørs brug nedsætter risikoen for elektrisk stød.
- ▶ **Hvis det ikke kan undgås at anvende elværktøjet i fugtige omgivelser, skal du anvende et fejlstrømsrelæ.** Anvendelsen af et fejlstrømsrelæ nedsætter risikoen for et elektrisk stød.

Personlig sikkerhed

- ▶ **Det er vigtigt at være opmærksom, se, hvad man laver, og bruge maskinen fornuftigt. Anvend aldrig elværktøj, hvis du er træt eller påvirket af stoffer, alkohol eller medicin.** Et øjeblik uopmærksomhed under brugen af elværktøjet kan medføre alvorlige personskader.



- ▶ **Brug beskyttelsesudstyr, og hav altid beskyttelsesbriller på.** Brug af sikkerhedsudstyr som f.eks. støvmaske, skridsikkert fodtøj, beskyttelseshjelm eller høreværn afhængigt af elværktøjets type og anvendelse nedsætter risikoen for personskader.
- ▶ **Undgå utilsigtet igangsætning. Kontrollér, at elværktøjet er frakoblet, før du slutter det til strømforsyningen og/eller batteriet, tager det op eller transporterer det.** Undgå at bære elværktøjet med fingeren på afbryderen, og sørg for, at det ikke er tændt, når det slutes til nettet, da dette øger risikoen for personskader.
- ▶ **Fjern indstillingsværktøj eller skruenøgler, inden elværktøjet tændes.** Hvis et stykke værktøj eller en nøgle sidder i en roterende maskindel, er der risiko for personskader.
- ▶ **Undgå at arbejde i unormale kroppsstillinger. Sørg for at stå sikkert, mens der arbejdes, og kom ikke ud af balance.** Det er derved nemmere at kontrollere elværktøjet, hvis der skulle opstå uventede situationer.
- ▶ **Brug egnet arbejdstøj. Undgå løse beklædningsgenstande eller smykker. Hold hår, tøj og handsker væk fra dele, der bevæger sig.** Dele, der er i bevægelse, kan gribe fat i løstsiddende tøj, smykker eller langt hår.
- ▶ **Hvis støvudsugnings- og opsamlingsudstyr kan monteres, er det vigtigt, at dette tilsluttes og benyttes korrekt.** Ved at anvende en støvudsugning er det muligt at nedsætte risikoen som følge af støv.
- ▶ **Man må ikke ignorere sikkerhedsreglerne for elværktøj, heller ikke selvom man er fortrolig med brugen af elværktøjet.** Uagtsomhed kan medføre alvorlig tilskadekomst inden for få sekunder.

Anvendelse og pleje af elværktøjet

- ▶ **Undgå at overbelaste maskinen. Brug altid en maskine, der er beregnet til det stykke arbejde, der skal udføres.** Med det rigtige værktøj arbejder man bedst og mest sikkert inden for det angivne effektområde.
- ▶ **Brug ikke elværktøj, hvis afbryderen er defekt.** En maskine, der ikke kan startes og stoppes, er farlig og skal repareres.
- ▶ **Træk stikket ud af stikkontakten, og/eller fjern batteriet fra maskinen, inden du foretager indstillinger på den, skifter tilbehør og dele eller lægger den til side.** Disse sikkerhedsforanstaltninger forhindrer utilsigtet start af elværktøjet.
- ▶ **Opbevar ubenyttede elværktøjer uden for børns rækkevidde. Lad aldrig personer, der ikke er fortrolige med maskinen eller ikke har gennemlæst sikkerhedsanvisningerne, benytte denne.** Elværktøj er farligt, hvis det benyttes af ukyndige personer.
- ▶ **Sørg for at pleje elværktøj omhyggeligt. Kontrollér, om bevægelige dele fungerer korrekt og ikke sidder fast, og om delene er brækket eller beskadiget, således at elværktøjets funktion påvirkes. Få beskadigede dele repareret, inden elværktøjet tages i brug.** Mange uheld skyldes dårligt vedligeholdte elværktøjer.
- ▶ **Sørg for, at skæreværktøjer er skarpe og rene.** Omhyggeligt vedligeholdte skæreværktøjer med skarpe skærekanter sætter sig ikke så hurtigt fast og er nemmere at føre.
- ▶ **Anvend elværktøj, tilbehør, indsatsværktøj osv. i overensstemmelse med disse anvisninger. Tag hensyn til arbejdsforholdene og det arbejde, der skal udføres.** I tilfælde af anvendelse af maskinen til formål, som ligger uden for det fastsatte anvendelsesområde, kan der opstå farlige situationer.
- ▶ **Sørg for, at greb og gribeflader er tørre, rene og fri for olie og fedt.** Glatte greb og gribeflader gør betjeningen usikker, og det kan være svært at styre elværktøjet i uforudsete situationer.

Anvendelse og pleje af batteridrevet elværktøj

- ▶ **Oplad kun batterier i ladere, der er anbefalet af fabrikanten.** Der er risiko for brand, hvis en lader, der er beregnet til et bestemt batteri, anvendes til opladning af en anden batteritype.
- ▶ **Brug kun de batterier, der er beregnet til elværktøjet.** Brug af andre batterier øger risikoen for personskader og er forbundet med brandfare.
- ▶ **Ikke benyttede batterier må ikke komme i berøring med kontorclips, mønter, nøgler, søm, skruer eller andre små metalgenstande, da disse kan kortslutte kontakterne.** En kortslutning mellem batterikontakterne øger risikoen for personskader i form af forbrændinger.
- ▶ **Hvis batteriet anvendes forkert, kan der løbe væske ud af batteriet. Undgå at komme i kontakt med denne væske. Hvis det alligevel skulle ske, skylles med vand. Søg læge, hvis væsken kommer i øjnene.** Batterivæske kan give hudirritation eller forbrændinger.
- ▶ **Brug aldrig et beskadiget eller ændret batteri.** Beskadigede eller ændrede batterier kan virke utilsigtet og medføre brand, eksplosion eller risiko for tilskadekomst.
- ▶ **Batterier må ikke udsættes for åben ild eller høje temperaturer.** Ild eller temperaturer over 130 °C (265 °F) kan medføre eksplosion.



- ▶ **Følg alle anvisninger vedrørende opladning, og oplad aldrig batteriet eller det batteridrevne værktøj uden for det temperaturområde, der er anført i betjeningsvejledningen.** Forkert opladning eller opladning uden for det tilladte temperaturområde kan ødelægge batteriet og øge risikoen for brand.

Service

- ▶ **Sørg for, at elværktøjet kun repareres af kvalificerede fagfolk, og at der altid benyttes originale reservedele.** Dermed sikres størst mulig elværktøjssikkerhed.
- ▶ **Forsøg aldrig at reparere beskadigede batterier.** Al vedligeholdelse af batterier skal foretages af producenten eller af autoriserede forhandlere.

2.2 Sikkerhedsanvisninger til hamre

Sikkerhedsanvisninger for alle opgaver

- ▶ **Brug høreværn.** Støjpåvirkningen kan medføre høretab.
- ▶ **Brug de ekstrahåndgreb, som følger med maskinen.** Hvis du mister kontrollen, kan det medføre personskader.
- ▶ **Hold maskinen på de isolerede grebsflader, når du udfører opgaver, hvor indsatsværktøjet kan ramme skjulte strømledninger.** Ved kontakt med en spændingsførende ledning kan også metalliske værktøjsdele sættes under spænding, hvilket kan medføre elektrisk stød.

Sikkerhedsanvisninger ved anvendelse af lange bor

- ▶ **Begynd altid borearbejdet med lavt omdrejningstal, og mens boret har kontakt med emnet.** Ved højere omdrejningstal kan boret let blive bøjet, hvis det kan rotere frit uden kontakt med emnet, og medføre personskader.
- ▶ **Udøv ikke et for højt tryk på boret og kun i borets længderetning.** Bor kan blive bøjet og ende med at brække eller medføre tab af kontrollen og resultere i personskader.

2.3 Yderligere sikkerhedsanvisninger for borehammer

Personlig sikkerhed

- ▶ Anvend kun produktet og tilbehør i teknisk fejlfri stand.
- ▶ Foretag aldrig manipulationer eller ændringer på produkt eller tilbehør.
- ▶ Brug de ekstrahåndgreb, som følger med produktet. Hvis du mister kontrollen, kan det medføre personskader.
- ▶ Ved gennembrydningsarbejde skal du huske at sikre området på den modsatte side. Nedbrydningsdele kan falde ud og/eller ned og volde skade på andre personer.
- ▶ Hold altid fast i produktet med begge hænder på de dertil beregnede håndtag. Sørg for, at håndgrebene er tørre og rene.
- ▶ Hold elværktøjet på de isolerede grebsflader, når du udfører opgaver, hvor indsatsværktøjet kan ramme skjulte strømledninger. Ved kontakt med en spændingsførende ledning kan også metalliske værktøjsdele sættes under spænding, hvilket kan medføre elektrisk stød.
- ▶ Undgå berøring af roterende dele - fare for personskader!
- ▶ Brug beskyttelsesbriller, beskyttelseshjelm, høreværn og et egnet åndedrætsværn under brugen af produktet.
- ▶ Brug beskyttelseshandsker, når du skifter værktøj. Berøring af indsatsværktøjet kan medføre snitsår og forbrændinger.
- ▶ Brug øjenværn. Splinterne fra materialet kan medføre skader på lemmer og øjne.
- ▶ Støv, der dannes ved slibning, skæring og boring, kan indeholde farlige kemikalier. Nogle eksempler er: Bly eller maling på blybasis; Tegl, beton og andre murværksprodukter, natursten og andre silikatholdige produkter; Bestemte træsorter som eg, bøg og kemisk behandlet træ; Asbest eller asbestholdige materialer. Bestem eksponeringen for brugerne og omkringstående personer ved hjælp af fareklassen for de materialer, der arbejdes på. Træf de nødvendige foranstaltninger for at holde eksponeringen på et sikkert niveau, f.eks. ved at bruge et støvopsamlingsystem eller brug af et passende åndedrætsværn. Generelle foranstaltninger til at reducere eksponeringen omfatter bl.a.:
 - ▶ Arbejde i et godt ventileret område,
 - ▶ Undgå længere tids kontakt med støv,
 - ▶ Lede støv bort fra ansigt og krop,
 - ▶ Bruge beskyttende beklædning og vaske eksponerede områder med vand og sæbe.
- ▶ Hold hyppigt pauser, og lav øvelser, så fingrene får bedre blodgennemstrømning. Ved længerevarende arbejde kan vibrationer medføre forstyrrelser af fingrenes, hændernes eller håndleddenes blodkar og nervesystem.



Elektrisk sikkerhed

- ▶ Kontrollér før påbegyndelse af arbejdet arbejdsområdet for skjulte elektriske ledninger, gas- og vandrør, f.eks. med en metaldetektor. Udvendige metaldele på produktet kan medføre elektrisk stød eller forårsage en eksplosion, hvis r du beskadiger en elledning, et gasrør eller et vandrør.

Omhyggelig omgang med og brug af elværktøj

- ▶ Sluk omgående produktet, hvis indsatsværktøjet blokeres. Produktet kan trække til siden.
- ▶ Vent, indtil produktet er standset helt, før du lægger det fra dig.

2.4 Sikkerhedsanvisninger for støvmodul

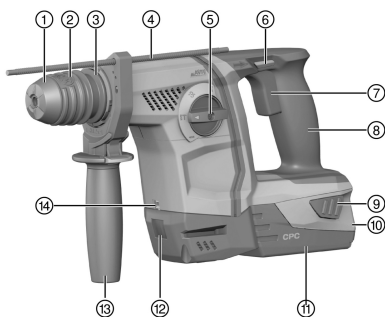
- ▶ Overhold alle sikkerhedsanvisninger i denne dokumentation og på maskinen.
- ▶ Anvend et åndedrætsværn, som fjerner det reststøv, der opstår ved boring og servicearbejder, fra ansigt og luftveje.
- ▶ Anvend også altid sidegrebet på Hilti borehammeren ved monteret støvmodul.

2.5 Omhyggelig omgang med og brug af batterier

- ▶ Læs de særlige retningslinjer for transport, opbevaring og brug af lithium-ion-batterier.
- ▶ Hold batterier på sikker afstand af høje temperaturer, direkte solindstråling og ild.
- ▶ Batterierne må ikke adskilles, klemmes, opvarmes til over 80 °C eller brændes.
- ▶ Anvend og oplad ikke batterier, som har fået et slag, er faldet på gulvet fra mere end en meters højde eller på anden vis er blevet beskadiget. Kontakt i så fald altid **Hilti Service**.
- ▶ Hvis batteriet er for varmt til at kunne røres, kan det være defekt. Anbring batteriet på et overskueligt, ikke-brændbart sted med tilstrækkelig afstand til brændbare materialer. Lad batteriet køle af. Hvis batteriet efter en time fortsat er for varmt til at kunne røres, er det er defekt. Kontakt **Hilti Service**.

3 Beskrivelse

3.1 Produktoversigt



- ① Støvkappe
- ② Værktøjsholder
- ③ Frigøring af værktøj
- ④ Dybdestop
- ⑤ Funktionsvælger
- ⑥ Omskifter til valg af højre-/venstreløb med startspærre
- ⑦ Afbryder
- ⑧ Håndgreb
- ⑨ Frigøringsknapper til batteri
- ⑩ Ladetilstands- og fejlvisning (lithium-ion-batteri)
- ⑪ Batteri
- ⑫ Tilslutning til støvmodul TE DRS-6-A(02)
- ⑬ Sidegreb
- ⑭ Arbejdsområdebelysning

3.2 Bestemmelsesmæssig anvendelse

Det beskrevne produkt er en batteridrevet borehammer. Det er beregnet til boring i stål, træ og murværk, til hammerboring i beton og murværk og til iskruning og løsning af skruer. Produktet kan desuden anvendes til lette mejselopgaver i murværk og til efterbearbejdning af beton.

- ▶ Anvend kun **Hilti** lithium-ion-batterier i typeserien B 22 til dette produkt.
- ▶ Anvend kun **Hilti** lithium-ion-batterier i B22-serien til dette produkt.

3.3 Indikator for lithium-ion-batteriet

Lithium-ion-batteriets ladetilstand og fejl på maskinen signaleres via lithium-ion-batteriets indikator. Lithium-ion-batteriets ladetilstand vises efter berøring af de to batterifrigøringsknapper.



Tilstand	Betydning
4 lysdioder lyser.	Ladetilstand: 75 % til 100 %
3 lysdioder lyser.	Ladetilstand: 50 % til 75 %
2 lysdioder lyser.	Ladetilstand: 25 % til 50 %
1 lysdiode lyser.	Ladetilstand: 10 % til 25 %
1 lysdiode blinker.	Ladetilstand: < 10 %



Når afbryderen er aktiveret, og op til 5 sekunder efter at afbryderen er sluppet, er det ikke muligt at få vist ladetilstanden. Hvis lysdioderne på batteriets indikator blinker, henvises til beskrivelsen i kapitlet Fejlafhjælpning.

3.4 Leveringsomfang

Borehammer, sidegreb, dybdestop, brugsanvisning.

Andre systemprodukter, som er godkendt til dit produkt, finder du i **Hilti Store** eller på: **www.hilti.group**

4 Tekniske data

4.1 Borehammer

	TE 6-A22
Nominal spænding	21,6 V
Vægt i henhold til EPTA Procedure 01 inklusive batteri B228.0	3,8 kg
Nominelt omdrejningstal ubelastet	1.050/min
Boreområde i beton/murværk (hammerboring)	4 mm ... 28 mm
Boreddybe i træ (fuldboring)	3 mm ... 20 mm
Boreområde i metal (massivt bor)	3 mm ... 13 mm

4.2 Støjinformation og vibrationsværdier iht. EN 62841

Lydtryk- og vibrationsværdier i denne brugsanvisning er målt i henhold til en standardiseret målemetode og kan anvendes til sammenligning af forskellige elværktøjer. De kan også anvendes til en foreløbig vurdering af den eksponering, brugeren udsættes for.

De anførte data repræsenterer elværktøjets primære anvendelsesformål. Hvis elværktøjet imidlertid anvendes til andre formål, med andre indsatsværktøjer eller utilstrækkelig vedligeholdelse, kan dataene afvige. Dette kan forøge den eksponering, som brugeren udsættes for, i hele arbejdstiden markant.

For at opnå en præcis vurdering af den eksponering, som brugeren udsættes for, bør også den tid, hvor elværktøjet er slukket eller blot kører uden at blive anvendt, inddrages. Dette kan reducere den eksponering, som brugeren udsættes for, i hele arbejdstiden markant.

Fastlæg yderligere sikkerhedsforanstaltninger til beskyttelse af brugeren mod støj- og/eller vibrationspåvirkninger, f.eks. er det vigtigt at vedligeholde elværktøj og indsatsværktøj, at holde hænderne varme og at organisere arbejdsprocesserne.

Støjinformation

Lydeffektniveau (L_{WA})	100 dB(A)
Lydtrykniveau (L_{pA})	89 dB(A)
Usikkerhed (støjværdier) (K_{pA} og K_{WA})	3 dB(A)

Samlede vibrationsværdier

	TE 6-A22	
Hammerboring i beton ($a_{h, HD}$)	B 22/2.6 Li-Ion (02)	19,9 m/s ²
	B 22/8.0 Li-Ion	17,1 m/s ²
Usikkerhed ved hammerboring i beton	B 22/2.6 Li-Ion (02)	2,1 m/s ²
	B 22/8.0 Li-Ion	1,5 m/s ²
Mejsling ($a_{h, CHEq}$)	B 22/2.6 Li-Ion (02)	10,9 m/s ²
	B 22/8.0 Li-Ion	12,1 m/s ²



		TE 6-A22
Usikkerhed ved mejsling	B 22/2.6 Li-Ion (02)	1,5 m/s ²
	B 22/8.0 Li-Ion	1,5 m/s ²

4.3 Batteri

Batteriets driftsspænding	21,6 V
Omgivende temperatur under drift	-17 °C ... 60 °C
Opbevaringstemperatur	-20 °C ... 40 °C
Batteriets temperatur ved start af ladning	-10 °C ... 45 °C

5 Betjening

5.1 Forberedelse af arbejdet

ADVARSEL

Fare for personskader på grund af utilsigtet start!

- ▶ Før isætning af batteriet skal du kontrollere, at det tilhørende produkt er slukket.
- ▶ Fjern batteriet fra maskinen, inden du foretager indstillinger eller skifter tilbehørsdele på den.

Følg sikkerheds- og advarselshenvisningerne i denne dokumentation og på produktet.

5.2 Ilægning af batteri

FORSIGTIG

Fare for personskader! Utilsigtet start af borehammeren.

- ▶ Kontrollér, at den batteridrevne borehammer er slukket, og at omskifteren til valg af højre-/venstreløb er i midterposition (startspærren), før batteriet sættes i maskinen.

1. Sæt batteriet i maskinholderen, indtil det går hørbart i indgreb.
2. Kontrollér, at batteriet er sat korrekt i.

5.3 Fjernelse af batteri

1. Tryk på batteriets frigøringsknapper.
2. Træk batteriet tilbage og ud.

5.4 Montering af sidegreb

FORSIGTIG

Fare for personskader! Tab af kontrol over produktet.

- ▶ Kontrollér, at sidegrebet er monteret rigtigt og fastgjort korrekt. Kontrollér, at spændebåndet ligger i den dertil beregnede not på produktet.

1. Drej på grebet for at løsne sidegrebets holder (spændebånd).
2. Skub dybdestoppet på forfra ind i de dertil beregnede 2 styrehuller.
3. Drej på grebet for at spænde sidegrebets holder (spændebånd).

5.5 Montering og indstilling af dybdestop

- ▶ Monter om nødvendigt dybdestoppet, og indstil det.

5.6 Afmontering/montering af værktøjsholder

FORSIGTIG

Fare for personskader! Fare for at hæmme brugeren, hvis dybdestoppet er monteret, men ikke anvendes.

- ▶ Tag dybdestoppet af maskinen.



- ▶ Monter/afmonter værktøjsholderen.

5.7 Indsætning af værktøj 7

1. Smør indsatsværktøjets indstiksende med et tyndt lag fedt.
 - ▶ Anvend kun originalt fedt fra **Hilti**. En forkert fedttype kan medføre skader på maskinen.
2. Sæt indsatsværktøjet i værktøjsholderen indtil anslag, og lad det gå i indgreb.
3. Kontrollér efter isætning, at værktøjet sidder sikkert fast ved at trække i det.
 - ▶ Produktet er klar til brug.

5.8 Udtagning af værktøj 8

- ▶ Træk værktøjslåsen tilbage indtil anslag, og tag indsatsværktøjet ud.

5.9 Opgaver over hovedhøjde 9

- ▶ Monter støvopsamlerringen DCD til opgaver over hovedhøjde.

5.10 Placering af mejsel 10

- ▶ Sæt funktionsvælgeren på denne position →.

6 Arbejde

FORSIGTIG

Fare for beskadigelse på grund af forkert håndtering!

- ▶ Tryk ikke på kontakten for rotationsretning og/eller funktionsvalg under brugen.

Følg sikkerheds- og advarselshenvisningerne i denne dokumentation og på produktet.

6.1 Funktionsvælger 10

- ▶ Indstil funktionsvælgeren til den ønskede arbejdsposition.
 - ▶ Funktionsvælgeren må ikke betjenes under brugen. **Fare for beskadigelse!**

6.2 Højre-/venstreløb 11

- ▶ Indstil omskifteren til valg af højre-/venstreløb til den ønskede omdrejningsretning.

6.3 Boring uden slagfunktion

- ▶ Sæt funktionsvælgeren på denne position ↯.

6.4 Hammerboring

- ▶ Sæt funktionsvælgeren på denne position ↯T.

6.5 Mejsling

- ▶ Sæt funktionsvælgeren på denne position T.
 - ▶ Af hensyn til en optimal motorkøling skal du vælge højreløb (borets rotationsretning).

7 Rengøring og vedligeholdelse

7.1 Rengøring og vedligeholdelse

ADVARSEL

Fare for personskader ved isat batteri !

- ▶ Fjern altid batteriet før alle pleje- og vedligeholdelsesarbejder!

Pleje af produktet

- Fjern fastsiddende snavs forsigtigt.




- Rengør forsigtigt evt. ventilationsåbninger med en tør, blød børste.
- Rengør kun huset med en hårdt opvredet klud. Brug ikke silikoneholdige plejemidler, da de kan angribe plastdelene.
- Brug en ren, tør klud til at rengøre kontakterne på produktet.

Pleje af Li-ion-batterier

- Anvend aldrig et batteri med tilstoppede ventilationsåbninger. Rengør forsigtigt ventilationsåbningerne med en tør, blød børste.
- Undgå, at batteriet unødigt udsættes for støv og snavs. Udsæt aldrig batteriet for høj fugtighed (f.eks. dyppe det i vand eller lade det stå ude i regnvej). Hvis et batteri er blevet gennemvådt, skal det behandles som et beskadiget batteri. Isolér det i en ikke-brændbar beholder, og kontakt **Hilti Service**.
- Hold batteriet frit for udefrakommende olie og fedt. Lad ikke unødigt støv og snavs samle sig på batteriet. Rengør batteriet med en tør, blød børste eller en ren, tør klud. Brug ikke silikoneholdige plejemidler, da de kan angribe plastdelene. Berør ikke batteriets kontakter, og fjern ikke det fedt fra kontakterne, som er påført fra fabrikken.
- Rengør kun huset med en hårdt opvredet klud. Brug ikke silikoneholdige plejemidler, da de kan angribe plastdelene.

Vedligeholdelse

- Kontrollér regelmæssigt alle synlige dele for skader og betjeningslementerne for fejlfri funktion.
- Anvend ikke produktet i tilfælde af beskadigelse og/eller funktionsfejl. Få straks produktet repareret af **Hilti Service**.
- Monter alle beskyttelsesanordninger efter pleje- og vedligeholdelsesarbejder, og kontroller dem for korrekt funktion.

 Anvend kun originale reservedele og forbrugsmaterialer af hensyn til en sikker drift. Reservedele, forbrugsmaterialer og tilbehør til dit produkt, som **Hilti** har godkendt, finder du i din **Hilti Store** eller under: www.hilti.group

7.2 Rengøring af støvkappen

- ▶ Rengør regelmæssigt støvkappen på værktøjsholderen med en ren, tør klud.
- ▶ Tør forsigtigt tætningen ren, og påfør den derefter et tyndt lag **Hilti**-fedt.
- ▶ Udskift altid støvkappen, hvis tætningen er beskadiget.

8 Transport og opbevaring

8.1 Transport og opbevaring af batteridrevet værktøj og batterier

Transport

FORSIGTIG

Utilsigtet start ved transport !

- ▶ Transportér altid dine produkter uden isat batteri!
- ▶ Tag batteriet/batterierne af.
- ▶ Transportér aldrig batterier liggende løst og ubeskyttet. Under transporten bør batterierne beskyttes mod hårde slag og vibrationer og isoleres fra enhver form for ledende materialer eller andre batterier, så de ikke kommer i kontakt med andre batteripoler og forårsager en kortslutning. **Overhold de lokale transportforskrifter for batterier.**
- ▶ Batterier må ikke sendes med posten. Henvend dig til et transportfirma, hvis du ønsker at sende ubeskadigede batterier.
- ▶ Kontrollér produktet og batterierne for skader hver gang før brug og før og efter længere transport.

Opbevaring

ADVARSEL

Utilsigtet beskadigelse på grund af defekte eller utætte batterier !

- ▶ Opbevar altid dine produkter uden isat batteri!
- ▶ Opbevar produkt og batterier køligt og tørt. Overhold de temperaturgrænser, der fremgår af de tekniske data.
- ▶ Opbevar ikke batterier i laderen. Tag batteriet ud af laderen, når opladningen er gennemført.



- ▶ Opbevar aldrig batterier i direkte sollys, på varmekilder eller i et vindue.
- ▶ Opbevar produkt og batterier utilgængeligt for børn og uvedkommende personer.
- ▶ Kontrollér produktet og batterierne for skader hver gang før brug og før og efter længere tids opbevaring.

9 Fejlafhjælpning

Ved fejl, som ikke fremgår af denne tabel, eller som du ikke selv kan afhjælp, beder vi dig om at kontakte Hilti Service.

9.1 Borehammeren er ikke funktionsdygtig

Fejl	Mulig årsag	Løsning
Lysdioder på batteriet er ikke aktive.	Batteriet er ikke korrekt isat.	▶ Bring batteriet i indgreb med et dobbeltklik.
	Aflad batteri.	▶ Udskift batteriet, og oplad det tomme batteri.
	Batteriet er for varmt eller for koldt.	▶ Lad batteriet køle af, eller bring batteriet op på rumtemperatur.
1 lysdiode på batteriet blinker.	Aflad batteri.	▶ Udskift batteriet, og oplad det tomme batteri.
	Batteriet er for varmt eller for koldt.	▶ Lad batteriet køle af, eller bring batteriet op på rumtemperatur.
4 lysdioder på batteriet blinker.	Borehammer kortvarigt overbelastet.	▶ Slip afbryderen, og betjen den igen.

9.2 Borehammeren er funktionsdygtig

Fejl	Mulig årsag	Løsning
Ingen slagfunktion.	Borehammer for kold.	▶ Sæt borehammeren på underlaget, og lad den køre i tomgang. Gentag om nødvendigt proceduren, indtil slagmekanismen arbejder.
	Funktionsvælger på "Boring uden slagfunktion" .	▶ Sæt funktionsvælgeren på "Hammerboring" T .
Omdrejningsreguleringen kan ikke trykkes ned eller er blokeret.	Omskifter til valg af højre-/venstreløb i midterposition.	▶ Tryk omskifteren til valg af højre-/venstreløb til højre eller venstre.
Maskinens spindel roterer ikke.	Den maks. tilladte driftstemperatur i borehammerens elektroniske system er overskredet.	▶ Lad værktøjet køle af.
	Aflad batteri.	▶ Udskift batteriet, og oplad det tomme batteri.
	Funktionsvælger er ikke gået i indgreb eller befinder sig i positionen "Mejsling" T eller i positionen "Placering af mejsel" .	▶ Sæt funktionsvælgeren på positionen "Boring uden slagfunktion" eller "Hammerboring" T .
Borehammeren slukkes automatisk.	Overbelastningsbeskyttelsen aktiveres.	▶ Slip afbryderen. Lad borehammeren køle af. Betjen afbryderen igen. Reducer maskinens belastning.
Batteriet aflades hurtigere end normalt.	Meget lav omgivende temperatur.	▶ Varm langsomt batteriet op til rumtemperatur.
Batteriet går ikke i indgreb med et tydeligt dobbeltklik.	Låsetapperne på batteriet er beskidte.	▶ Rengør holdetapperne, og bring batteriet i indgreb igen.



Fejl	Mulig årsag	Løsning
Kraftig varmeudvikling i borehammer eller batteri.	Elektrisk defekt	► Sluk omgående borehammeren. Tag batteriet ud, og hold øje med det. Lad det køle af. Kontakt Hilti Service .
	Borehammer overbelastet.	► Vælg en kraftfuld maskine.
Værktøjet kan ikke frigøres.	Borepatronen er ikke trukket helt tilbage.	► Træk værktøjslåsen tilbage indtil anslag, og tag værktøjet ud.
Værktøjet trænger ikke ind.	Borehammer indstillet til venstre-løb.	► Indstil omskifteren til valg af højre-/venstreløb til højreløb.
	Funktionsvælger på "Boring uden slagfunktion" .	► Sæt funktionsvælgeren på "Hammerboring" HT .

10 Ekstra tilbehør

10.1 Støvsamlerring DCD

Støvsamlerringen DCD anvendes som tilbehør til **Hilti** borehammer. Den opsamler en stor procentdel af det genererede støv ved opgaver over hovedhøjde og kan nemt og hurtigt monteres på borehammeren.

10.2 Støvsugermodul TE DRS-6-A / TE DRS-6-A OSHA

Støvsugermodul TE DRS-6-A anvendes som tilbehør til **Hilti** borehammer TE 6-A22. Det opsamler en stor procentdel af det genererede støv og kan nemt og hurtigt monteres på borehammeren. Der er integreret en sugeblæser i støvsugermodulet. Denne drives af en separat motor. Når borehammeren tændes, trækker modulet strøm fra borehammerens batteri.

Støvsugermodulet er ikke velegnet til opgaver i metal og træ.

Betingelser: TE DRS-6-A OSHA

TE DRS-6-A OSHA opfylder direktivet OSHA 1926.1153 Table 1. Det er forsynet med en filterrengøringsmekanisme.

10.2.1 Montering af støvsugermodul

Før montering skal du sørge for, at monteringspunkterne og de elektriske tilslutninger på borehammeren og på støvsugermodulet er fri for støv og bevæger sig problemfrit.

1. Kontrollér støvsugermodulet for beskadigelser.
2. Kontrollér, at teleskopet er letkørt.
3. Sæt omskifteren til valg af højre-/venstreløb på borehammeren i midterposition.
4. Tag dybdeanslaget af sidegrebet.
5. Skub støvsugermodulet på maskinen forfra, indtil modulet går i indgreb.
6. Kontrollér monteringen, at støvsugermodulet går korrekt i indgreb.

10.2.2 Boring med støvsugermodul

1. Tryk på borehammerens betjeningsknap for at starte støvsugermodulet.
2. Hold betjeningsknappen nede, indtil den fulde sugeeffekt er nået.
3. Sæt sugehovedet lodret mod underlaget.
4. Bør hullet, og træk langsomt produktet ud af borehullet for at opsamle så meget støv som muligt.

10.2.3 Tømning af støvboks

En fuld støvboks eller et tilstoppet filter kan medføre overdreven støvudvikling og skal tømmes regelmæssigt.

Tøm støvboksen efter 8-10 borehuller (16 mm x 50 mm) (5/8" x 2").

For at minimere støvbelastningen skal du opbevare støvet i en lukket beholder.



1. Hold maskinen vandret, og lad den køre et kort stykke tid.
 - ▶ Derved suges de støvresten, der sidder i støvsugermodul, ned i støvboksen.
2. Tryk på støvknappens frigøringsknap, og hold den nede.
3. Træk støvboksen nedad og ud af støvsugermodul.
4. Tøm støvboksen.
 - ▶ Filtret er snavset.
 - ▶ Udskift filtret.
 - ▶ Filtret er fri for snavs.
5. Skub den tomme støvboks på støvsugermodul nedefra, indtil den går i indgreb.

10.2.4 Rengøring af TE-DRS-OSHA-filtret



Rengør filtret efter 5 borehuller (16 mm x 50 mm) (1/2" x 3").

- ▶ Hvis sugoeffekten falder, skal du trykke rengøringsmekanismen frem og tilbage 5 gange, indtil du hører et tydeligt klik.

10.2.5 Afmontering af støvsugermodul

1. Sæt omskifteren til valg af højre-/venstreløb på borehammeren i midterposition.
2. Tryk på frigørelsesmekanismen DRS, og hold den inde.
3. Træk støvsugermodul fremad for at fjerne det fra maskinen.

11 Bortskaffelse



ADVARSEL

Fare for personskader på grund af ukorrekt bortskaffelse! Sundhedsfare på grund af udtrængen af gasser eller væsker.

- ▶ Beskadede batterier må under ingen omstændigheder sendes!
- ▶ Tildæk kontakterne med et ikke-ledende materiale, så kortslutninger undgås.
- ▶ Bortskaf batterier på en sådan måde, at børn ikke kan få fat på dem.
- ▶ Bortskaf batteriet hos din **Hilti Store**, eller henvend dig til det ansvarlige renovationsfirma.

Størstedelen af de materialer, som anvendes ved fremstillingen af **Hilti**-produkter, kan genvindes. Materialerne skal dog sorteres, før de kan genvindes. I mange lande kan du aflevere dine udtjente produkter til **Hilti**, som derefter genvinder dem. Spørg **Hilti**'s kundeservice eller din forhandler.



- ▶ Elværktøj, elektriske maskiner og batterier må ikke bortskaffes sammen med almindeligt husholdningsaffald!

12 RoHS (direktiv til begrænsning af anvendelsen af farlige stoffer)

Under følgende link finder du tabellen med farlige stoffer: qr.hilti.com/r4695.

Et link til RoHS-tabellen finder du i slutningen af denne dokumentation som QR-kode.

13 Producentgaranti

- ▶ Hvis du har spørgsmål vedrørende garantibetingelserne, bedes du henvende dig til din lokale **Hilti**-partner.



Originalbruksanvisning

1 Anvisningar om bruksanvisning

1.1 Om denna bruksanvisning

- Läs noga igenom den här bruksanvisningen innan du använder verktyget. Det är en förutsättning för säkert arbete och problemfri hantering.
- Observera de säkerhets- och varningsanvisningar som du hittar i denna bruksanvisning och på produkten.
- Förvara alltid bruksanvisningen tillsammans med produkten och överlämna aldrig produkten till någon annan utan att bifoga den.

1.2 Teckenförklaring

1.2.1 Varningar

Varningarna är till för att varna för risker i samband med användning av produkten. Följande riskindikeringar används:



FARA

FARA !

- ▶ Anger överhängande risker som kan leda till svåra personskador eller dödsolycka.



VARNING

VARNING !

- ▶ Anger potentiella risker som kan leda till svåra personskador eller dödsfall.



FÖRSIKTIGHET

FÖRSIKTIGHET !

- ▶ Används för att uppmärksamma om en potentiell risksituation som kan leda till skador på person eller utrustning.

1.2.2 Symboler i bruksanvisningen

I den här bruksanvisningen används följande symboler:

	Observera bruksanvisningen
	Anmärkningar och annan praktisk information
	Hantering av återvinningsbara material
	Elverktyg och batterier får inte kastas i hushållssoporna
	Hilti litiumjonbatteri
	Hilti Batteriladdare

1.2.3 Symboler i bilderna

Följande symboler används i bilder:

	Dessa siffror hänvisar till motsvarande bild i början av bruksanvisningen.
	Numreringen i bilderna hänvisar till viktiga arbetsmoment eller viktiga komponenter för arbetsmomenten. I texten framhävs dessa arbetsmoment eller komponenter med motsvarande nummer, t.ex. (3).
	I bilden Översikt används positionsnummer och hänvisar till siffrorna i teckenförklaringen i avsnittet Produktöversikt .
	Det här tecknet är till för att du ska vara extra uppmärksam på något som gäller hur du hanterar produkten.



1.3 Produktberoende symboler

1.3.1 Övriga symboler

Följande symboler kan förekomma på produkten:

	Borring utan slag
	Borring med slag (hammarborring)
	Mejsling
	Mejselpositionering
	Rotationsriktning
n_0	Nominellt varvtal, obelastat
	Likström
	Litiumjonbatteri
	Hilti-litiumjonbatteriserie som används. Observera uppgifterna i kapitlet Avsedd användning.
	Använd aldrig batteriet som slagverktyg.
	Låt inte batteriet falla ner på marken. Använd inte batterier som har utsatts för slag eller på annat sätt har skadats.
	Verktyget stöder NFC-teknik, som är kompatibel med iOS- och Android-plattformar.

1.4 Produktinformation

HILTI-produkter är avsedda för professionella användare och får endast användas, underhållas och repareras av auktoriserad, utbildad personal. Personalen måste vara särskilt informerad om de risker som finns. Produkten och dess tillbehör kan utgöra en risk om den används på ett felaktigt sätt av utbildad personal eller inte används enligt föreskrifterna.

Typbeteckning och serienummer anges på typskylten.

- ▶ Använd de serienummer som anges i följande tabell. Du behöver produktuppgifterna när du kontaktar vår återförsäljare eller serviceverkstad.

Produktdetaljer

Borrhammare	TE 6-A22
Generation	04
Serienr	

1.5 Försäkran om överensstämmelse

Vi försäkrar på eget ansvar att den produkt som beskrivs här överensstämmer med gällande direktiv och standarder. En bild på försäkran om överensstämmelse hittar du i slutet av dokumentationen.

Den tekniska dokumentationen finns sparad här:

Hilti Entwicklungsgesellschaft mbH | Zulassung Geräte | Hiltistraße 6 | 86916 Kaufering, Tyskland

2 Säkerhet

2.1 Allmänna säkerhetsföreskrifter för elverktyg

⚠ VARNING Läs noga igenom alla säkerhetsföreskrifter, anvisningar, avbildningar och tekniska data som medföljer detta elverktyg. Om nedanstående anvisningar inte följs, finns risk för elektriska stötar, brand och/eller svåra skador.

Förvara alla säkerhetsföreskrifter och anvisningarna på ett säkert ställe för framtida användning.



Begreppet "elverktyg" som används i säkerhetsföreskrifterna avser nätdrivna elverktyg (med nätkabel) och batteridrivna elverktyg (sladdlösa).

Säker arbetsmiljö

- ▶ **Håll arbetsområdet rent och väl belyst.** Oordning eller bristfällig belysning på arbetsplatsen kan leda till olyckor.
- ▶ **Arbeta inte med elverktuget i omgivningar med explosionsrisk där det finns brännbara vätskor, gaser eller damm.** Elverktyg alstrar gnistor som kan antända dammet eller gaserna.
- ▶ **Håll barn och obehöriga personer på betryggande avstånd under arbetet med elverktuget.** Om du störs av obehöriga personer kan du förlora kontrollen över verktyget.

Elsäkerhet

- ▶ **Elverktugets elkontakt måste passa till vägguttaget. Elkontakten får absolut inte ändras. Använd inte adapterkontakter tillsammans med skyddsjordade elverktyg.** Originalkontakter och lämpliga vägguttag minskar risken för elstötar.
- ▶ **Undvik kroppskontakt med jordade ytor som rör, värmeelement, spisar och kylskåp.** Det finns en större risk för elstötar om din kropp är jordad.
- ▶ **Skydda elverktuget från regn och väta.** Tränger vatten in i ett elverktyg ökar risken för elstötar.
- ▶ **Använd inte anslutningskabeln på ett felaktigt sätt, t.ex. genom att bära eller hänga upp elverktuget i den eller dra i den för att lossa elkontakten ur vägguttaget. Håll anslutningskabeln på avstånd från värmekällor, olja, vassa kanter och rörliga delar.** Skadade eller tilltrasslade anslutningskablar ökar risken för elstötar.
- ▶ **När du arbetar med ett elverktyg utomhus, använd endast förlängningskablar som är avsedda för utomhusbruk.** Genom att använda en lämplig förlängningskabel för utomhusbruk minskar du risken för elstötar.
- ▶ **Om det är alldeles nödvändigt att använda verktyget i fuktig miljö ska du använda en jordfelsbrytare.** Användning av jordfelsbrytare minskar risken för elstötar.

Personsäkerhet

- ▶ **Var uppmärksam, ha uppsikt över vad du gör och använd elverktuget med förnuft. Använd aldrig elverktyg om du är trött eller påverkad av droger, alkohol eller medicin.** En kort sekund av bristande uppmärksamhet när du arbetar med ett elverktyg kan leda till att du skadar dig själv eller någon annan svårt.
- ▶ **Bär alltid personlig skyddsutrustning och skyddsglasögon.** Genom att använda personlig skyddsutrustning som t.ex. dammskyddsmask, halkfria säkerhetsskor, hjälm eller hörselskydd, beroende på vilket elverktyg du använder och till vad, minskar du risken för kroppsskada.
- ▶ **Undvik oavsiktlig igångsättning. Se till att elverktuget är fränkopplat innan du ansluter det till nätströmmen och/eller batteriet, tar upp det eller bär det.** Om du bär elverktuget med fingret på strömbrytaren eller ansluter ett tillkopplat verktyg till nätströmmen kan en olycka inträffa.
- ▶ **Ta bort alla inställningsverktyg och skruvnycklar innan du kopplar in elverktuget.** Ett verktyg eller en nyckel i en roterande komponent kan leda till skador.
- ▶ **Undvik en onormal kroppshållning. Se till att du står stadigt och håller balansen.** Då kan du lättare kontrollera elverktuget i oväntade situationer.
- ▶ **Bär lämpliga kläder. Bär inte löst hängande kläder eller smycken. Håll håret, kläderna och handskarna på avstånd från rörliga delar.** Löst hängande kläder, smycken och långt hår kan dras in av roterande delar.
- ▶ **När du använder elverktyg med anordningar för uppsugning och uppsamling av damm, bör du kontrollera att dessa anordningar är rätt monterade och används korrekt.** Används en dammsugare kan faror som orsakas av damm minskas.
- ▶ **Invagga dig inte i falsk säkerhet och strunta inte säkerhetsreglerna för elverktyg även om du har stor vana vid att arbeta med elverktuget.** Oförsiktig hantering kan leda till allvarliga skador inom bråkdelar av en sekund.

Användning och hantering av elverktyg

- ▶ **Överbelasta inte verktyget. Använd elverktyg som är avsedda för det aktuella arbetet.** Med ett lämpligt elverktyg kan du arbeta bättre och säkrare inom angivet effektområde.
- ▶ **Använd aldrig elverktuget om strömbrytaren är defekt.** Ett elverktyg som inte kan kopplas in eller ur är farligt och måste repareras.
- ▶ **Dra ut elkontakten ur uttaget och/eller ta i förekommande fall bort det löstagbara batteriet innan du gör inställningar, byter tillbehör eller lägger ifrån dig verktyget.** Denna skyddsåtgärd förhindrar att du eller någon annan råkar sätta igång elverktuget av misstag.
- ▶ **Förvara elverktyg oåtkomligt för barn. Verktyget får inte användas av personer som inte är vana eller inte har läst dessa anvisningar.** Elverktyg är farliga om de används av oerfarna personer.



- ▶ **Underhåll elverktygen och tillbehören noggrant.** Kontrollera att rörliga komponenter fungerar felfritt och inte kärvar och att komponenter inte har brustit eller skadats så att elverktygets funktion påverkas negativt. Se till att skadade delar repareras innan verktyget används igen. Många olyckor orsakas av dåligt skötta elverktyg.
- ▶ **Håll insatsverktygen skarpa och rena.** Omsorgsfullt skötta insatsverktyg med skarpa eggar kommer inte så lätt i kläm och går lättare att styra.
- ▶ **Använd elverktyg, tillbehör, insatsverktyg osv. enligt dessa anvisningar.** Ta hänsyn till arbetsvillkoren och arbetsmomenten. Används elverktyget på icke ändamålsenligt sätt kan farliga situationer uppstå.
- ▶ **Se till att handtaget och greppytorna är torra, rena och fria från olja och fett.** Med hala handtag och gripytor går det inte att hantera och kontrollera elverktyget säkert i oväntade situationer.

Användning och hantering av batteriverktyg

- ▶ **Ladda endast batterierna i de laddare som tillverkaren har rekommenderat.** Brandrisk kan uppstå om en laddare som är avsedd för en viss typ av batterier används för andra batterityper.
- ▶ **Använd endast batterier som är avsedda för aktuellt elverktyg.** Används andra batterier finns det risk för kroppsskada och brand.
- ▶ **Håll gem, mynt, nycklar, spikar, skruvar och andra små metallföremål på avstånd från reservbatterier för att undvika kortslutning av kontakterna.** En kortslutning av batteriets kontakter kan leda till brännskador eller brand.
- ▶ **Om batteriet används på fel sätt kan vätska rinna ur batteriet. Undvik kontakt med vätskan. Vid oavsiktlig kontakt, skölj med vatten. Om vätska kommer i kontakt med ögonen, uppsök dessutom läkare.** Batterivätskan kan orsaka hudirritation eller brännskada.
- ▶ **Använd aldrig skadade eller egenhändigt modifierade batterier.** Skadade eller modifierade batterier kan bete sig oförutsägbart och orsaka brand, explosioner eller risk för skador.
- ▶ **Utsätt aldrig batterier för öppen eld eller för höga temperaturer.** Öppen eld eller temperaturer över 130 °C (265 °F) kan orsaka explosion.
- ▶ **Följ alla anvisningar för laddning och ladda aldrig batteriet eller batteriverktyget vid temperaturer som ligger utanför det intervall som anges i bruksanvisningen.** Felaktigt utförd laddning eller laddning vid temperaturer utanför det tillåtna intervallet kan förstöra batteriet och öka risken för brand.

Service

- ▶ **Låt endast kvalificerad fackpersonal reparera elverktyget och använd då endast originalreservdelar.** Detta garanterar att verktygets säkerhet upprätthålls.
- ▶ **Utför aldrig underhåll på skadade batterier.** Underhåll av batterier får endast utföras av tillverkaren eller av auktoriserade kundservicecenter.

2.2 Säkerhetsföreskrifter för hammare

Säkerhetsanvisningar för alla arbeten

- ▶ **Bär hörselskydd.** Buller kan leda till hörselskador.
- ▶ **Använd de extrahandtag som levereras tillsammans med verktyget.** Tappar du kontrollen över verktyget kan det leda till skador.
- ▶ **Håll verktyget i de isolerade greppytorna medan du arbetar, eftersom det kan finnas risk att insatsverktyget stöter på en dold elledning.** Vid kontakt med en spänningssatt ledning kan metalldelar på verktyget spänningssättas och ge dig en stöt.

Säkerhetsanvisningar vid användning av långa borrh

- ▶ **Börja alltid att borra med lågt varvtal och med borrhspetsen i kontakt med arbetsstycket.** Om borret tillåts rotera utan kontakt med arbetsstycket kan det vid högre varvtal lätt komma att böjas, med åtföljande risk för personskador.
- ▶ **Använd inte för hårt tryck mot arbetsstycket och rikta trycket endast rakt i borrets längdriktning.** Följden kan annars bli att borret böjs så att det går sönder, eller att du tappar kontrollen över verktyget med risk för personskador.

2.3 Ytterligare säkerhetsföreskrifter för borrhammare

Personsäkerhet

- ▶ Använd endast produkten och dess tillbehör om den är fullt funktionsduglig.
- ▶ Produkten eller dess tillbehör får inte byggas om eller ändras.
- ▶ Använd de extrahandtag som levereras tillsammans med produkten. Tappar du kontrollen över produkten kan det leda till skador.



- ▶ Vid genombrottsarbeten, tänk på att säkra området på motstående sida. Annars finns det risk för att det material som lossnar ramlar ner eller skjuter iväg och skadar människor i närheten.
- ▶ Håll alltid produkten i handtagen med båda händerna. Håll alltid handtaget torrt och rent.
- ▶ Håll i produktens isolerade greppytor när du utför arbeten där insatsverktyget riskerar att stöta på dolda elledningar. Vid kontakt med en spänningssatt ledning kan metalldelar på verktyget spänningssättas och ge dig en stöt.
- ▶ Rör inte vid roterande delar – risk för personskada!
- ▶ Använd alltid skyddsglasögon, skyddshjälm, hörselskydd och lämpligt andningsskydd när du använder produkten.
- ▶ Använd skyddshandskar vid verktygsbyte. Det finns risk för skär- och brännskador vid beröring av nyss använda insatsverktyg.
- ▶ Använd skyddsglasögon. Splitter kan skada oskyddade kroppsdelar och ögon.
- ▶ Damm som uppstår vid slipning, polering, kapning och borrar kan innehålla farliga kemikalier. Exempel på sådana är: bly eller blybaserade färger, tegel, betong och andra murverksprodukter, natursten och andra produkter som innehåller silikat, Vissa träslag som ek och bok samt kemiskt behandlat trä, asbest eller material som innehåller asbest. Fastställ exponeringen för användaren och personer i närheten av arbetsområdet genom att kontrollera vilken riskklass det material som ska bearbetas tillhör. Vidta nödvändiga åtgärder för att hålla exponeringen på en säker nivå. Använd t.ex. ett dammuppsamlingsystem eller bär lämpligt andningsskydd. Allmänna åtgärder för att minska exponeringen är:
 - ▶ Arbeta i ett välventilerat utrymme,
 - ▶ Undvik längre kontakt med damm,
 - ▶ Led bort damm från ansiktet och kroppen,
 - ▶ Bär skyddskläder och tvätta exponerade områden med tvål och vatten.
- ▶ Ta ofta paus i arbetet och utför fingerövningar som ökar blodgenomströmningen i fingrarna. Vid långvarigt, ihållande arbete kan de starka vibrationerna ge besvär i blodkärl och nerver i fingrarna, händerna och handlederna.

Elektrisk säkerhet

- ▶ Undersök om det finns dolda el-, gas- och vattenledningar inom arbetsområdet innan du påbörjar arbetet. Utanpåliggande metalldelar på produkten kan orsaka elstöt eller explosion om du skadar en el-, gas- eller vattenledning.

Omsorgsfull hantering och användning av elverktyg

- ▶ Stäng genast av produkten om insatsverktyget blockeras. Produkten kan vridas i sidled.
- ▶ Vänta tills produkten har stannat helt innan du lägger den ifrån dig.

2.4 Säkerhetsanvisningar för dammsugarmodul

- ▶ Följ alltid alla säkerhetsanvisningar i den här dokumentationen och på verktyget.
- ▶ Använd andningsskydd för att hålla ansikte och andningsvägar fria från dammrester som kan släppa från verktyget vid servicearbeten.
- ▶ Använd alltid sidohandtaget på **Hilti** borsthammare, även när dammsugarmodulen sitter monterad.

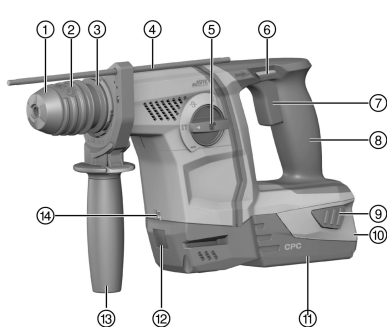
2.5 Omsorgsfull hantering och användning av batterier

- ▶ Observera de särskilda föreskrifterna för transport, förvaring och användning av litiumjonbatterier.
- ▶ Utsätt inte batterierna för höga temperaturer, direkt solljus eller eld.
- ▶ Batterier får inte tas isär, klämmas, upphettas till mer än 80 °C (176 °F) eller brännas upp.
- ▶ Använd eller ladda inte batterier som tagit emot slag, har fallit från över en meters höjd eller är skadade på något annat sätt. I sådana fall, kontakta **Hilti-service**.
- ▶ Om batteriet är så hett att du inte kan ta i det kan det vara defekt. Ställ batteriet på en plats där inget riskerar att fatta eld och på betryggande avstånd från brännbart material. Låt batteriet svalna. Om batteriet efter en timme fortfarande är så hett att det inte går att ta i är det defekt. Kontakta **Hilti-service**.



3 Beskrivning

3.1 Produktöversikt



- ① Dammskydd
- ② Chuck
- ③ Chuckhylsa
- ④ Djupmått
- ⑤ Funktionsväljare
- ⑥ Omkopplare för höger- och vänstervarv med tillkopplings spärr
- ⑦ Strömbrytare
- ⑧ Handtag
- ⑨ Låsknapp för batteriet
- ⑩ Laddningsstatus- och felindikering (litiumjonbatteri)
- ⑪ Batteri
- ⑫ Anslutning för dammsugarmodul TE DRS-6-A(02)
- ⑬ Sidohandtag
- ⑭ Belysning för arbetsområdet

3.2 Avsedd användning

Den beskrivna produkten är en batteridrivna borrarhammare. Den är avsedd för borrar i stål, trä och murverk, för hammarborrning i betong och tegel, och för skruvdragning. Produkten kan även användas för lättare mejslingsarbeten i tegel och efterarbeten i betong.

- ▶ Använd endast **Hiltis** litiumjonbatterier av typen Li-Ion B 22 med produkten.
- ▶ Använd endast **Hilti** litiumjonbatterier i B22-serien för denna produkt.

3.3 Indikering för litiumjonbatteriet

Litiumjonbatteriets laddningsstatus och störningar i verktyget signaleras via batteriets indikeringar. Tryck på en av litiumjonbatteriets låsknappar för att se batterinivån.

Status	Betydelse
4 lysdioder lyser.	Laddningsstatus: 75 % till 100 %
3 lysdioder lyser.	Laddningsstatus: 50 % till 75 %
2 lysdioder lyser.	Laddningsstatus: 25 % till 50 %
1 lysdiod lyser.	Laddningsstatus: 10 % till 25 %
1 LED blinkar.	Laddningsstatus: < 10 %

Det går inte att få reda på laddningsstatus när strömbrytaren hålls intryckt och i upp till fem sekunder efter det att strömbrytaren har släppts upp. Läs anvisningarna i kapitlet Felsökning om lysdioderna för batteriindikering börjar blinka.

3.4 Leveransinnehåll

Borrarhammare, sidohandtag, djupmått, bruksanvisning.

Dessutom finns fler systemprodukter för din produkt både i närmaste **Hilti Store** och på nätet: www.hilti.group



4 Teknisk information

4.1 Borrhammare

	TE 6-A22
Märkspänning	21,6 V
Vikt enligt EPTA Procedure 01 inklusive batteri B228.0	3,8 kg
Nominellt varvtal, obelastat	1 050 varv/min
Borrhålsdiameter i betong/tegel (hammarbörning)	4 mm ... 28 mm
Borrhålsdiameter i trä (solitt borr)	3 mm ... 20 mm
Borrhålsdiameter i metall (solitt borr)	3 mm ... 13 mm

4.2 Bullerinformation och vibrationsvärden enligt EN 62841

De ljudtrycks- och vibrationsvärden som anges i anvisningarna har uppmätts med en standardiserad mätmetod och kan användas för att jämföra olika elverktyg med varandra. De kan också användas för att göra en preliminär uppskattning av exponeringarna.

De angivna värdena representerar elverktygets huvudsakliga användning. När elverktyget begagnas inom andra områden, med andra insatsverktyg eller med otillräckligt underhåll, kan mätning ge avvikande värden. Det innebär att exponeringen under den totala arbetstiden kan ökas betydligt.

För att uppskattningen av exponeringarna ska bli exakt bör man också räkna in de tider då elverktyget är avstängt eller då det är påslaget men inte används. Det kan betydligt minska exponeringen under den totala arbetstiden.

Vidta även andra säkerhetsåtgärder för att skydda användaren mot effekterna av buller och vibrationer, exempelvis: underhåll av elverktyg och insatsverktyg, möjlighet att hålla händerna varma, välorganiserade arbetsförlopp.

Bullerinformation

Ljudeffektnivå (L_{WA})	100 dB(A)
Ljudtrycksnivå (L_{pA})	89 dB(A)
Osäkerhet (ljudvärde) (K_{pA} och K_{WA})	3 dB(A)

Sammanlagt vibrationsvärde

		TE 6-A22
Hammarbörning i betong ($a_{h, HD}$)	B 22/2.6 Li-Ion (02)	19,9 m/s ²
	B 22/8.0 Li-Ion	17,1 m/s ²
Osäkerhet hammarbörning i betong	B 22/2.6 Li-Ion (02)	2,1 m/s ²
	B 22/8.0 Li-Ion	1,5 m/s ²
Mejsling ($a_{h, CHed}$)	B 22/2.6 Li-Ion (02)	10,9 m/s ²
	B 22/8.0 Li-Ion	12,1 m/s ²
Osäkerhet vid mejsling	B 22/2.6 Li-Ion (02)	1,5 m/s ²
	B 22/8.0 Li-Ion	1,5 m/s ²

4.3 Batteri

Batteriets driftspänning	21,6 V
Omgivningstemperatur vid drift	-17 °C ... 60 °C
Förvaringstemperatur	-20 °C ... 40 °C
Batteritemperatur när laddningen påbörjas	-10 °C ... 45 °C



5 Användning

5.1 Förberedelser för arbete

VARNING

Risk för personskada till följd av oavsiktlig start!

- ▶ Kontrollera att produkten är avstängd innan du sätter i batteriet.
- ▶ Ta alltid bort batteriet innan du gör några inställningar på verktyget eller byter tillbehörsdelar.

Observera de säkerhets- och varningsanvisningar som du hittar i dokumentationen och på själva enheten.

5.2 Sätta i batteriet

FÖRSIKTIGHET

Risk för personskada! Oavsiktlig start av borrhammare.

- ▶ Kontrollera innan du sätter i batteriet att borrhammaren är frånkopplad och att omkopplaren för höger- och vänstervarv (tillkopplingsspärren) står i mittläge.

1. Sätt i batteriet i verktygshållaren så att du hör att det klickar fast.
2. Kontrollera att batteriet sitter stadigt.

5.3 Ta ut batteriet

1. Tryck på knappen för batteriets låsspärr.
2. Dra batteriet bakåt och ut.

5.4 Montera sidohandtaget

FÖRSIKTIGHET

Risk för personskada! Tappad kontroll över produkten.

- ▶ Kontrollera att sidohandtaget är korrekt monterat och ordentligt fastsatt. Se till att spännbandet ligger i det avsedda spåret på produkten.

1. Vrid på handtaget för att lossa sidohandtagsfästet (spännbandet).
2. Skjut in djupmättet framifrån i de två genomföringshål.
3. Vrid på handtaget för att spänna fast sidohandtagsfästet (spännbandet).

5.5 Montera och ställa in djupmätt

- ▶ Montera djupanslaget och ställ in det vid behov.

5.6 Montera/demontera chuck

FÖRSIKTIGHET

Risk för personskada! Risk för att användaren blir skadad på grund av monterat men ej använt djupmätt.

- ▶ Ta bort djupmättet från verktyget.
- ▶ Montera/demontera chucken.

5.7 Sätta i insatsverktyg

1. Fetta in insticksänden på insatsverktyget en aning.
 - ▶ Använd endast originalfett från **Hilti**. En felaktigt fett kan orsaka skador på verktyget.
2. Stick in insatsverktyget i chucken så att det går i lås.
3. Dra i verktyget efter isättningen för att kontrollera att det sitter ordentligt fast.
 - ▶ Nu är produkten färdig att användas.

5.8 Ta ur insatsverktyg

- ▶ Dra chuckhylsan tillbaka till anslag och ta ur insatsverktyget.



5.9 Arbete över huvudhöjd

- ▶ Montera dammskyddsringen DCD för arbete över huvudhöjd.

5.10 Mejselpositionering

- ▶ Ställ funktionsväljaren i läget

6 Arbeta



FÖRSIKTIGHET

Risk för skador till följd av felaktig hantering!

- ▶ Använd inte rotationsriktningsomställaren och/eller funktionsväljaren under drift.

Observera de säkerhets- och varningsanvisningar som du hittar i dokumentationen och på själva enheten.

6.1 Funktionsväljare

- ▶ Ställ funktionsväljaren i önskat arbetsläge.
 - ▶ Funktionsväljaren får inte användas under drift. **Risk för skador!**

6.2 Rotationsriktning

- ▶ Ställ in omkopplaren för höger- och vänstervarv på önskad rotationsriktning.

6.3 Borring utan slag

- ▶ Ställ funktionsväljaren i läget

6.4 Hammarboring

- ▶ Ställ funktionsväljaren i läget

6.5 Mejsling

- ▶ Ställ funktionsväljaren i läget
- ▶ Välj högervarv (borrets rotationsriktning) för att få bästa motorkylning.

7 Skötsel och underhåll

7.1 Skötsel och underhåll



VARNING

Risk för personskada vid anslutet batteri !

- ▶ Ta alltid bort batteriet innan skötsel och underhåll utförs!

Skötsel av produkten

- Ta försiktigt bort smuts som sitter fast.
- Rengör ventilationsspringorna försiktigt med en torr och mjuk borste i förekommande fall.
- Rengör höljet bara med en lätt fuktad trasa. Använd inte rengöringsmedel med silikon, eftersom det kan skada plastdelarna.
- Använd en ren och torr trasa för att rengöra produktens kontakter.

Skötsel av litiumjonbatterier

- Använd aldrig ett batteri med tilltäppta ventilationsspringor. Rengör ventilationsspringorna försiktigt med en torr och mjuk borste.
- Undvik att utsätta batteriet för onödigt mycket damm eller smuts. Utsätt aldrig batteriet för hög fukt (t.ex. genom att sänka ner det i vatten eller låta det stå i regnet).
Om ett batteri har blivit genomblött ska det hanteras som ett skadat batteri. Förvara det i en brandsäker behållare och kontakta **Hilti**-service.



- Håll batteriet fritt från främmande olja och fett. Låt inte onödigt mycket damm eller smuts ansamlas på batteriet. Rengör batteriet med en mjuk borste eller en ren och torr trasa. Använd inte rengöringsmedel med silikon, eftersom det kan skada plastdelarna.
Rör inte vid batteriets kontakter och ta inte bort fett på kontakterna som har applicerats i fabriken.
- Rengör höljet bara med en lätt fuktad trasa. Använd inte rengöringsmedel med silikon, eftersom det kan skada plastdelarna.

Underhåll

- Kontrollera regelbundet att inga synliga delar har skadats och att alla reglage fungerar som de ska.
- Använd inte produkten om den uppvisar skador eller funktionsstörningar. Låt **Hilti Service** reparera produkten omgående.
- Efter skötsel- och underhållsarbeten ska alla skyddsanordningar monteras igen och kontrolleras.



Använd endast originalreservdelar och förbrukningsmaterial för säker drift. Godkända reservdelar, förbrukningsmaterial och tillbehör till din produkt från **Hilti** hittar du i närmaste **Hilti Store** eller på: www.hilti.group

7.2 Rengöring av dammskyddskåpan

- ▶ Rengör regelbundet dammskyddet på chucken med en ren, torr torkduk.
- ▶ Torka försiktigt läpptätningen ren och fetta på nytt in den lätt med **Hilti-fett**.
- ▶ Byt ut dammskyddet om läpptätningen har skadats.

8 Transport och förvaring

8.1 Transport och förvaring av sladdlösa verktyg och batterier

Transport



FÖRSIKTIGHET

Oavsiktlig start under transport. !

- ▶ Transportera alltid produkten utan insatta batterier.
- ▶ Ta ut batteriet/batterierna.
- ▶ Transportera aldrig batterierna löst liggande. Under transport ska batterierna skyddas mot alltför hårda stötar och vibrationer samt hållas isolerade från eventuella ledande material eller andra batterier så att de inte kommer i kontakt med andra batteripoler och orsakar en kortslutning. **Observera lokala transportföreskrifter för batterier.**
- ▶ Batterier får inte skickas per post. Vänd dig till ett fraktbolag om du vill skicka intakta batterier.
- ▶ Kontrollera produkt och batterier före varje användning samt före och efter längre transport för att se till att de inte är skadade.

Förvaring



VARNING

Oavsiktlig skada på grund av trasiga eller läckande batterier. !

- ▶ Förvara alltid produkten utan insatta batterier.
- ▶ Förvara produkt och batterier svalt och torrt. Följ de temperaturgränsvärden som anges i den tekniska informationen.
- ▶ Förvara inte batterierna i batteriladdaren. Ta alltid ur batteriet ur laddaren när laddningen är klar.
- ▶ Förvara aldrig batterier i solen, på värmekällor eller bakom glas.
- ▶ Förvara produkt och batteri utom räckhåll för barn och obehöriga personer.
- ▶ Kontrollera produkt och batterier före varje användning samt före och efter längre tids förvaring för att se till att de inte är skadade.

9 Felsökning

Kontakta **Hilti Service** om det uppstår ett fel som inte finns med i den här tabellen eller som du inte lyckas åtgärda på egen hand.



9.1 Borrhammaren fungerar inte

Fel	Möjlig orsak	Lösning
Lysdioderna på batteriet visar inget.	Batteriet har inte satts in helt.	► Sätt in batteriet så att ett dubbelklick hörs.
	Batteriet är urladdat.	► Byt batteri och ladda det tomma batteriet.
	Batteriet för varmt eller för kallt.	► Låt batteriet svalna eller värmas upp till rumstemperatur.
1 lysdiod blinkar på batteriet.	Batteriet är urladdat.	► Byt batteri och ladda det tomma batteriet.
	Batteriet för varmt eller för kallt.	► Låt batteriet svalna eller värmas upp till rumstemperatur.
4 lysdioder blinkar på batteriet.	Borrhammaren har överlastats under en kortare tid.	► Släpp strömbrytaren och tryck in den igen.

9.2 Borrhammaren fungerar

Fel	Möjlig orsak	Lösning
Inget slag.	Borrhammaren är för kall.	► Sätt borrhammaren på underlaget och kör den i tomgång. Upprepa detta om så krävs, tills slagmekanismen kommer igång.
	Funktionsväljaren på "borrning utan slag" .	► Sätt funktionsväljaren på "hammarborrning" T .
Strömbrytaren kan inte tryckas ner resp. är spärrad.	Omkopplaren för höger- och vänstervarv i mittenläge.	► Tryck omkopplaren för höger- och vänstervarv åt höger eller vänster.
Verktygsspindeln roterar inte.	Tillåten drifttemperatur för borrhammarens elektronik har överskridits.	► Låt verktyget svalna.
	Batteriet är urladdat.	► Byt batteri och ladda det tomma batteriet.
	Funktionsväljaren står inte fullt ut i sitt läge eller så står den i läget "mejsling" T eller "mejselpositionering" - .	► Ställ funktionsväljaren i läget "Borrning utan slag" eller "hammarborrning" T .
Borrhammaren kopplas från automatiskt.	Överlastskyddet utlöses.	► Släpp strömbrytaren. Låt borrhammaren svalna. Använd strömbrytaren igen. Minska verktygsbelastningen.
Batteriet laddas ur fortare än vanligt.	Mycket låg omgivningstemperatur.	► Låt batteriet långsamt värmas upp till rumstemperatur.
Batteriet hakar inte i med ett hörbart "dubbelklick".	Batteriets låsmekanism är smutsig.	► Rengör låsmekanismen och sätt in i batteriet igen.
Stark värmeutveckling i borrhammaren eller batteriet.	Elektriskt fel	► Koppla genast från borrhammaren. Ta bort batteriet och granska det. Låt det svalna. Kontakta Hilti -service.
	Borrhammaren har överlastats.	► Välj en starkare maskin.
Det går inte att ta ut insatsverktyget ur chucken.	Chucken har inte dragits tillbaka helt.	► Dra chuckhylsan tillbaka till anslag och ta ut verktyget.
Insatsverktyget tränger inte in i underlaget.	Borrhammaren har kopplats till vänstervarv.	► Ställ omkopplaren för höger- och vänstervarv på högervarv.



Fel	Möjlig orsak	Lösning
Insatsverket tränger inte in i underlaget.	Funktionsväljaren på "borrning utan slag" .	► Sätt funktionsväljaren på "hammarborrning" IT.

10 Valbara tillbehör

10.1 Dammskyddsring DCD

Dammskyddsringen DCD används som tillbehör till **Hiltis** borrdammare. Den samlar upp en hög procentandel av det damm som bildas vid arbete över huvudhöjd, och går snabbt och enkelt att fästa på borrdammaren.

10.2 Dammsugarmodul TE DRS-6-A / TE DRS-6-A OSHA

Dammsugarmodulen TE DRS-6-A används som tillbehör till **Hilti** borrdammare TE 6-A22. Den samlar upp en hög procentandel av det damm som bildas och går snabbt och enkelt att fästa på borrdammaren. I dammsugarmodulen finns en inbyggd utsugsfläkt. Den drivs av en egen motor. När borrdammaren slås på hämtar modulen sin ström från borrdammarebatteriet.

Dammsugarmodulen är inte avsedd för arbeten i metall eller trä.

Villkor: TE DRS-6-A OSHA

TE DRS-6-A OSHA uppfyller direktivet OSHA 1926.1153 Table 1. Produkten är utrustad med en filterrengöringsmekanism.

10.2.1 Montera dammsugarmodulen

Kontrollera före monteringen att fixeringspunkterna och elgränssnitten på borrdammaren och dammsugarmodulen är fria från damm och gå att manövrera obehindrat.

1. Kontrollera att inte dammsugarmodulen är skadad.
2. Kontrollera att teleskopet inte kärvar.
3. Ställ borrdammarens omkopplare för höger-/vänstergång i mittläget.
4. Ta bort djupmättet från sidohandtaget.
5. Skjut in dammsugarmodulen framifrån på verktyget tills den hakar fast.
6. Avsluta monteringen med att kontrollera att dammsugarmodulen har häktat fast ordentligt.

10.2.2 Borrning med dammsugarmodul

1. Tryck på borrdammarens styrknapp för att starta dammsugarmodulen.
2. Håll styrknappen nedtryckt tills full sugeffekt har uppnåtts.
3. Placera sughuvudet lodrätt mot underlaget.
4. Borra hål och dra sedan långsamt upp produkten ur borrhålet för att fånga upp så mycket damm som möjligt.

10.2.3 Tömma dammbehållaren

Om dammbehållaren är full eller filtret är igensatt kan stora mängder damm samlas. Behållaren måste därför regelbundet tömmas.

Töm dammbehållaren efter 8–10 borrade hål (16 mm x 50 mm) (5/8 tum x 2 tum).

Förvara dammet i en sluten behållare för att minimera dammbildningen.

1. Håll verktyget vågrätt och låt det gå en kort stund.
 - På så vis sugs de dammrester som satt sig i dammsugarmodulen in i dammbehållaren.
2. Tryck ner dammbehållarens spärr och håll den nedtryckt.
3. Dra dammbehållaren nedåt och av från dammsugarmodulen.
4. Töm dammbehållaren.
 - Filtret är smutsigt.
 - Byt ut filtret.
 - Filtret är fritt från smuts.
5. Skjut in den tomma dammbehållaren i dammsugarmodulen underifrån tills den hakar fast.



10.2.4 Rengöring av TE-DRS-OSHA-filter **14**



Rengör filtret efter fem borrade hål (16 mm x 50 mm) (1/2 tum x 3 tum).

- ▶ När sugeffekten börjar avta trycker du fram/bak rengöringsmekanismen tills du hör ett klick. Upprepa detta fem gånger bakåt och fem gånger framåt.

10.2.5 Demontera dammsugarmodulen **15**

1. Ställ borrhammarens omkopplare för höger-/vänstergång i mittläget.
2. Tryck in (frigör) spärren för DRS och håll den intryckt.
3. Ta loss dammsugarmodulen från verktyget genom att dra den framåt.

11 Avfallshantering



VARNING

Risk för personskada på grund av felaktig avfallshantering! Hälsorisk på grund av läckande gaser eller syror.

- ▶ Skicka aldrig iväg skadade batterier!
- ▶ Täck anslutningarna med ett icke ledande material för att förhindra kortslutningar.
- ▶ Kassera batterier så att de inte kan hamna i händerna på barn.
- ▶ Kassera batteriet hos din **Hilti Store** eller vänd dig till närmaste återvinningscentral.



Hilti-produkter är till stor del tillverkade av återvinningsbara material. En förutsättning för återvinning är att materialen separeras på rätt sätt. I många länder tar **Hilti** tillbaka din gamla enhet för återvinning. Fråga **Hilti** kundservice eller din säljare.



- ▶ Kasta inte elverktyg, elektronisk apparatur och batterier i hushållssoporna.

12 RoHS (Richtlinie zur Beschränkung der Verwendung gefährlicher Stoffe)

Unter folgendem Link finden Sie die Tabelle gefährlicher Stoffe: qr.hilti.com/r/4695.

Einen Link zur RoHS-Tabelle finden Sie am Ende dieser Dokumentation als QR-Code.

13 Tillverkargaranti

- ▶ Vänd dig till din lokala **Hilti**-representant om du har frågor om garantivillkoren.

Original bruksanvisning

1 Informasjon om bruksanvisningen

1.1 Om denne bruksanvisningen

- Det er viktig at bruksanvisningen leses før produktet brukes for første gang. Dette er en forutsetning for sikkerhet under arbeidet og problemfri bruk.
- Følg sikkerhetsanvisningene og advarslene i denne bruksanvisningen og på produktet.
- Oppbevar alltid bruksanvisningen sammen med produktet, og sørg for at bruksanvisningen alltid følger med hvis produktet overtas av andre personer.

1.2 Symbolforklaring

1.2.1 Farehenvvisninger

Farehenvvisninger advarer mot farer under håndtering av produktet. Følgende signalord brukes:



FARE

FARE !

- ▶ For en umiddelbart truende fare som kan føre til alvorlige personskader eller død.

ADVARSEL

ADVARSEL !

- ▶ Varsler en mulig fare som kan føre til alvorlige personskader eller død.

FORSIKTIG

FORSIKTIG !

- ▶ Varsler om en mulig farlig situasjon som kan føre til personskade eller materiell skade.

1.2.2 Symboler i bruksanvisningen

Følgende symboler benyttes i denne bruksanvisningen:

	Følg bruksanvisningen
	Bruksanvisninger og andre nyttige opplysninger
	Håndtering av resirkulerbare materialer
	Ikke kast elektriske apparater eller batterier i husholdningsavfallet
	Hilti li-ion-batteri
	Hilti Lader

1.2.3 Symboler i illustrasjoner

Følgende symboler brukes i illustrasjonene:

	Disse tallene viser til illustrasjonen i begynnelsen av denne bruksanvisningen.
3	Nummereringen i illustrasjoner henviser til viktige arbeidstrinn eller viktige komponenter for arbeidstrinnene. I teksten i blir disse arbeidstrinnene eller komponentene markert med tilhørende numre, f.eks. (3).
	Posisjonsnumrene brukes i illustrasjonen Oversikt og henviser til numrene på teksten i avsnittet Produktoversikt .
	Dette symbolet betyr at håndtering av produktet krever stor grad av oppmerksomhet.





1.3 Produktavhengige symboler

1.3.1 Symboler

Følgende symboler kan være brukt på produktet:

	Boring uten slag
	Boring med slag (hammerboring)
	Meisling
	Plassere meiselen
	Høyre-/venstregang
n_0	Nominelt tomgangsturtall
	Likestrøm



Li-Ion	Li-ion-batteri
	Brukt Hilti Li-Ion-batteriserie. Følg anvisningene i kapitlet Forskriftsmessig bruk .
	Bruk aldri batteriet som slagverktøy.
	Ikke mist ned batteriet. Ikke bruk et batteri som har vært utsatt for støt eller er skadet på annen måte.
	Maskinen støtter NFC-teknologi som er kompatibel med iOS- og Android-plattformer.

1.4 Produktinformasjon

HILTI-produkter er laget for profesjonell bruk og må kun brukes, vedlikeholdes og repareres av kyndig personale. Dette personalet må informeres om eventuelle farer som kan oppstå. Produktet og tilleggsutstyret kan utgjøre en fare hvis det betjenes av ukvalifisert personale eller det benyttes feil.

Typebetegnelse og serienummer står på typeskiltet.

- ▶ Skriv inn serienummeret i tabellen nedenfor. Du trenger produktspesifikasjonene ved henvendelser til Hiltis representant eller servicesenter.

Produktspesifikasjoner

Borhammer	TE 6-A22
Generasjon	04
Serienummer	

1.5 Samsvarserklæring

Vi erklærer herved at produktet som er beskrevet her, er i samsvar med gjeldende normer og direktiver. Du finner et bilde av samsvarserklæringen på slutten av denne dokumentasjonen.

Den tekniske dokumentasjonen er lagret her:

Hilti Entwicklungsgesellschaft mbH | Zulassung Geräte | Hiltistraße 6 | 86916 Kaufering, DE

2 Sikkerhet

2.1 Generelle sikkerhetsregler for elektroverktøy

⚠ ADVARSEL Les alle sikkerhetsanvisninger, instruksjer, illustrasjoner og tekniske data som elektroverktøyet er utstyrt med. Manglende overholdelse av anvisningene nedenfor kan medføre elektrisk støt, brann og/eller alvorlige personskader.

Overhold alle sikkerhetsanvisninger og instruksjoner i hele bruksperioden.

Begrepet "elektroverktøy" som er brukt i sikkerhetsanvisningene, viser til nettdrevne elektroverktøy (med nettkabel) eller til batteridrevne elektroverktøy (uten nettkabel).

Sikkerhet på arbeidsplassen

- ▶ **Hold arbeidsområdet rent og godt opplyst.** Rotete eller dårlig belyste arbeidsområder kan føre til ulykker.
- ▶ **Bruk ikke elektroverktøyet i eksplosjonsfarlige omgivelser hvor det befinner seg brennbare flytende stoffer, gasser eller støv.** Elektroverktøy lager gnister som kan antenne støv eller damp.
- ▶ **Hold barn og andre personer på sikker avstand mens elektroverktøyet brukes.** Hvis du blir forstyrret under arbeidet, kan du miste kontrollen over verktøyet.

Elektrisk sikkerhet

- ▶ **Elektroverktøyet støpsel må passe i stikkontakten. Støpselet må ikke forandres på noen som helst måte. Bruk ikke adapterkontakt på jordete elektroverktøy.** Uendrede støpsler og egnede stikkontakter minsker risikoen for elektrisk støt.
- ▶ **Unngå kroppskontakt med jordete overflater som rør, radiatorer, komfyrer eller kjøleskap.** Risikoen for elektriske støt er høyere når kroppen er jordet.
- ▶ **Hold elektroverktøyet unna regn og fuktighet.** Risikoen for elektrisk støt øker ved inntrenging av vann i et elektroverktøy.



- ▶ **Bruk ikke ledningen til å bære elektroverktøyet, henge det opp eller til å dra støpselet ut av stikkkontakten. Hold ledningen unna varme, olje, skarpe kanter og deler som beveger seg.** Skadde eller sammenviklede ledninger øker risikoen for elektriske støt.
- ▶ **Bruk kun skjøteledninger som også er godkjent for utendørs bruk når du arbeider med et elektroverktøy utendørs.** Bruk av skjøteledning som er egnet til utendørs bruk, minsker risikoen for elektrisk støt.
- ▶ **Må elektroverktøyet brukes i fuktige omgivelser, er det nødvendig å bruke en jordfeilbryter.** Bruk av en jordfeilbryter reduserer risikoen for elektrisk støt.

Personsikkerhet

- ▶ **Vær oppmerksom, pass på hva du gjør, og gå fornuftig fram under arbeidet med et elektroverktøy. Ikke bruk elektroverktøy når du er trøtt eller påvirket narkotika, alkohol eller medikamenter.** Et øyeblikks uoppmerksomhet ved bruk av elektroverktøyet kan være nok til å forårsake alvorlige personskader.
- ▶ **Bruk alltid personlig verneutstyr og vernebriller.** Bruk av personlig verneutstyr som støvmaske, sklisikre vernesko, hjelm eller hørselsvern – avhengig av type og bruk av elektroverktøyet – reduserer risikoen for skader.
- ▶ **Unngå utilsiktet start. Forsikre deg om at elektroverktøyet er slått av før du setter i stikkkontakten eller batteriet og før du løfter eller flytter elektroverktøyet.** Hvis du holder fingeren på bryteren når du bærer elektroverktøyet, eller kobler elektroverktøyet til strøm i innkoblet tilstand, kan dette føre til uhell.
- ▶ **Fjern justeringsverktøy og skrunøkkel før du slår på elektroverktøyet.** Et verktøy eller en nøkkel som befinner seg i en roterende maskindel, kan føre til skader.
- ▶ **Unngå uhensiktsmessige arbeidsposisjoner. Sørg for å stå stødig og i balanse.** Dermed kan du kontrollere elektroverktøyet bedre i uventede situasjoner.
- ▶ **Bruk egnede klær. Ikke bruk vide klær eller smykker. Hold hår, tøy og hansker unna deler som beveger seg.** Løstsittende tøy, smykker eller langt hår kan komme inn i deler som beveger seg.
- ▶ **Hvis det er montert støvavsugs- og oppsamlingsinnretninger, må det kontrolleres at disse er koblet til og blir brukt på riktig måte.** Bruk av støvavsug kan redusere faremomentene i forbindelse med støv.
- ▶ **Ikke føl deg for trygg og ikke bryt sikkerhetsreglene for elektroverktøy, heller ikke når du etter lang tids bruk er blitt fortrolig med elektroverktøyet.** Et øyeblikks uaktsomhet kan føre til alvorlige personskader.

Bruk og behandling av elektroverktøyet

- ▶ **Ikke overbelast verktøyet. Bruk et elektroverktøy som er beregnet til den type arbeid du vil utføre.** Med et passende elektroverktøy arbeider du bedre og sikrere i det angitte effektområdet.
- ▶ **Ikke bruk elektroverktøy med defekt bryter.** Et elektroverktøy som ikke lenger kan slås av eller på, er farlig og må repareres.
- ▶ **Dra ut støpselet fra stikkkontakten og/eller ta ut et uttakbart batteri før du foretar maskinnstillinger, bytter tilleggsutstyr eller legger bort verktøyet.** Disse tiltakene forhindrer utilsiktet start av elektroverktøyet.
- ▶ **Oppbevar elektroverktøy som ikke brukes, utenfor barns rekkevidde. La ikke personer som ikke er fortrolige med verktøyet eller ikke har lest disse instruksjonene, bruke verktøyet.** Elektroverktøy er farlige når de brukes av uerfarne personer.
- ▶ **Sørg for grundig stell og vedlikehold av elektroverktøyet med tilbehør. Kontroller at bevegelige deler på elektroverktøyet fungerer feilfritt og ikke klemmes fast, og at ingen deler er brukket eller skadet, slik at dette innvirker på elektroverktøyets funksjon. La skadde deler repareres før elektroverktøyet brukes.** Mange ulykker er et resultat av dårlig vedlikeholdte elektroverktøy.
- ▶ **Hold skjæreverktøy skarpe og rene.** Godt vedlikeholdte skjæreverktøy med skarpe skjærekanten blir sjeldnere fastklemt og er lettere å styre.
- ▶ **Bruk elektroverktøy, tilbehør, arbeidsverktøy osv. i overensstemmelse med denne anvisningen. Ta hensyn til arbeidsforholdene og arbeidet som skal utføres.** Bruk av elektroverktøy til andre formål enn det som er angitt, kan føre til farlige situasjoner.
- ▶ **Hold håndtak og gripeflater tørre, rene og frie for olje og fett.** Glatte håndtak og gripeflater gir ikke sikker betjening og kontroll av elektroverktøyet i uforutsette situasjoner.

Bruk og behandling av det batteridrevne elektroverktøyet

- ▶ **Bruk kun ladere som er anbefalt av produsenten når du skal lade batteriene.** Det oppstår brannfare når det brukes andre batterier i en lader enn dem laderen er egnet for.
- ▶ **Bruk bare batterier som er beregnet for de forskjellige elektroverktøyene.** Bruk av andre batterier kan medføre skader og brannfare.



- ▶ **Unngå å oppbevare ubrukte batterier i nærheten av binders, mynter, nøkler, nagler, skruer eller andre små metallgjenstander som kan forårsake kortslutning av kontakten.** En kortslutning mellom batterikontaktene kan føre til forbrenninger eller brann.
- ▶ **Ved feil bruk kan væske lekke fra batteriet. Unngå kontakt med denne væsken. Ved tilfeldig kontakt må det skylles med vann. Hvis det kommer væske i øynene, må du i tillegg oppsøke lege.** Batterivæske som renner ut, kan føre til irritasjoner på huden eller forbrenninger.
- ▶ **Ikke bruk batterier som er skadde eller modifiserte.** Skadde eller modifiserte batterier kan oppføre seg uforutsigbart og forårsake brann, eksplosjon eller personskade.
- ▶ **Ikke utsett batteriet for åpen ild eller høye temperaturer.** Ild eller temperaturer over 130 °C (265 °F) kan forårsake eksplosjon.
- ▶ **Følg alle anvisningene for lading, og lad aldri batteriet eller det batteridrevne verktøyet utenfor temperaturområdet som er angitt i bruksanvisningen.** Feil lading eller lading utenfor det tillatte temperaturområdet kan ødelegge batteriet og øke brannfaren.

Service

- ▶ **Elektroverktøyet må kun repareres av kvalifisert fagpersonale og kun med originale reservedeler.** Slik opprettholdes maskinens sikkerhet.
- ▶ **Vedlikehold ikke skadde batterier.** Alt vedlikehold på batterier skal utføres av produsenten eller et godkjent serviceverksted.

2.2 Sikkerhetsanvisninger for borhammere

Sikkerhetsanvisninger for alt arbeid

- ▶ **Bruk hørselsvern.** Påvirkning av støy kan føre til hørselstap.
- ▶ **Bruk håndtakene som leveres med maskinen.** Tap av kontroll kan føre til skader.
- ▶ **Hold maskinen i de isolerte håndtakene når du utfører arbeid der verktøyet kan komme i kontakt med elektriske ledninger.** Kontakt med en spenningsførende ledning kan også sette maskinens metalldele under spenning og føre til elektrisk støt.

Sikkerhetsanvisninger ved bruk av lange bor

- ▶ **Begynn alltid å bore med lavt turtall og mens boret er i kontakt med arbeidsemnet.** Ved høyere turtall kan boret lett bøyes når det kan rotere fritt uten kontakt med arbeidsemnet, og dette kan føre til personskader.
- ▶ **Ikke trykk for hardt på boret, og trykk bare i lengderetningen i forhold til boret.** Bor kan bøyes og dermed brette eller føre til tap av kontroll og personskader.

2.3 Ekstra sikkerhetsanvisninger for borhammer

Personsikkerhet

- ▶ Bruk produktet og tilbehøret bare i teknisk feilfri stand.
- ▶ Ikke foreta manipulering eller endring av produktet eller tilbehør.
- ▶ Bruk håndtakene som leveres med produktet. Tap av kontroll kan føre til personskader.
- ▶ Ved gjennombruddsarbeid må området på den andre siden sikres. Deler som brytes ut, kan falle ut og/eller ned og skade andre personer.
- ▶ Hold alltid maskinen fast med begge hender i håndtakene som er beregnet til formålet. Hold håndtakene tørre og rene.
- ▶ Hold produktet i de isolerte håndtakene når du utfører arbeid der verktøyet kan komme i kontakt med elektriske ledninger. Kontakt med en spenningsførende ledning kan også sette maskinens metalldele under spenning og føre til elektrisk støt.
- ▶ Unngå å berøre de roterende delene. Fare for personskader!
- ▶ Benytt øyevern, hjelm, hørselsvern og en egnet støvmaske ved bruk av produktet.
- ▶ Bruk vernehansker ved skifte av verktøy. Berøring av innsatsverktøyet kan føre til kuttskader og forbrenninger.
- ▶ Bruk øyevern. Splintret materiale kan skade kroppen og øynene.
- ▶ Støv som oppstår ved sliping, smergling, kapping og boring kan inneholde farlige kjemikalier. Noen eksempler er: bly eller blybasert maling; tegl, betong og andre murverksprodukter, naturstein og andre silikatholdige produkter; bestemt tresorter, slik som eik, bøk og kjemisk behandlet trevirke; asbest eller asbestholdige materialer. Kartlegg hvor eksponert brukeren og personer i nærheten er ved hjelp av fareklassen til materialene som det arbeides med. Treff nødvendige tiltak for å holde eksponeringen på et trygt nivå, f.eks. ved å bruke et støvoppsamlingsystem eller egnet åndedrettsvern. Til de generelle tiltakene for å redusere eksponeringen hører:
 - ▶ arbeid i et godt ventilert område,



- ▶ unngå langvarig kontakt med støv,
- ▶ led bort støv fra ansikt og kropp,
- ▶ bruk verneutstyr og vask eksponerte områder med vann og såpe.
- ▶ Ta hyppige pauser og gjør øvelser for å øke blodgjennomstrømningen i fingrene. Ved langvarig arbeid kan kraftige vibrasjoner føre til forstyrrelser i blodkar eller nervesystemet i fingre, hender eller håndledd.

Elektrisk sikkerhet

- ▶ Kontroller før arbeidet påbegynnes at det ikke finnes skjulte strømledninger, gass- eller vannrør i arbeidsområdet. Utvendige metalldele på produktet kan forårsake elektrisk støt eller en eksplosjon dersom du skader en strømledning, et gass- eller vannrør.

Forsiktig behandling og bruk av elektroverktøy

- ▶ Slå produktet av umiddelbart hvis innsatsverktøyet setter seg fast. Produktet kan gli ut til siden.
- ▶ Vent til produktet har stanset helt før du legger det fra deg.

2.4 Sikkerhetsanvisninger for støvmodul

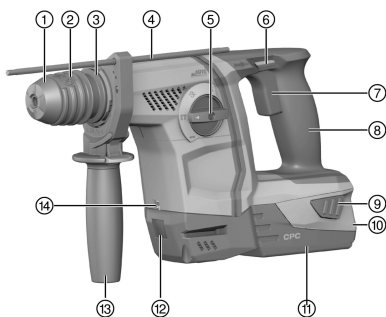
- ▶ Følg alle sikkerhetsanvisningene i denne dokumentasjonen og på maskinen.
- ▶ Bruk støvmaske for å beskytte ansikt og luftveier mot reststøv ved boring og servicearbeid.
- ▶ Bruk også ved montert støvmodul alltid sidehåndtaket på **Hilti**-borhammeren.

2.5 Aktsom håndtering og bruk av batterier

- ▶ Ta hensyn til spesielle retningslinjer for transport, lagring og bruk av Li-Ion-batterier.
- ▶ Hold batteriene unna høye temperaturer, direkte solskinn og åpen ild.
- ▶ Batteriene må ikke tas fra hverandre, klemmes, varmes opp over 80 °C (176 °F) eller brennes.
- ▶ Ikke bruk eller lad opp batterier som har fått et støt, har falt ned over en meter eller er skadet på annen måte. Kontakt i slike tilfeller alltid **Hilti service**.
- ▶ Hvis batteriet er for varmt til å ta i, kan det være defekt. Plasser batteriet på et synlig, ikke brennbar sted med tilstrekkelig avstand til brennbare materialer. La batteriet avkjøles. Hvis batteriet fremdeles er for varmt til å ta i etter en time, er det defekt. Kontakt **Hilti service**.

3 Beskrivelse

3.1 Produktoversikt 1



- 1 Støvkappe
- 2 Chuck
- 3 Verktøyutløser
- 4 Dybdeanlegg
- 5 Funksjonsvelger
- 6 Bryter for høyre-/venstregang med innkoblingssperre
- 7 Kontrollbryter
- 8 Håndtak
- 9 Låseknapper for batteri
- 10 Lade- og feilindikator (Li-Ion-batteri)
- 11 Batteri
- 12 Tilkobling for støvmodul TE DRS-6-A(02)
- 13 Sidehåndtak
- 14 Arbeidsområdebelysning

3.2 Forskriftsmessig bruk

Det beskrevne produktet er en batteridrevet borhammer. Den er beregnet til hammerboring i betong og mur, boring i stål, tre og mur og til innskruing og løsning av skruer. Produktet er også egnet til lett meisling i mur og etterarbeid i betong.

- ▶ Til dette produktet må det bare brukes **Hilti** Li-Ion-batterier i serien B 22.
- ▶ Bruk bare **Hilti**-Li-Ion-batterier i B22-serien sammen med dette produktet.



3.3 Indikator for Li-Ion-batteriet

Ladenivået for Li-Ion-batteriet og feil på maskinen varsles via indikatoren på Li-Ion-batteriet. Ladenivået for Li-Ion-batteriet vises når du trykker på en av låseknappene for batteriet.

Tilstand	Betydning
4 LED-er lyser.	Ladenivå: 75 % til 100 %
3 LED-er lyser.	Ladenivå: 50 % til 75 %
2 LED-er lyser.	Ladenivå: 25 % til 50 %
1 LED lyser.	Ladenivå: 10 % til 25 %
1 LED blinker.	Ladenivå: < 10 %

i Når du trykker på kontrollbryteren og inntil 5 sekunder etter at du har sluppet kontrollbryteren, er det ikke mulig å sjekke ladenivået. Ved blinkende LED-er på batteriets indikator må du følge henvisningene i kapitlet Feilsøking.

3.4 Dette inngår i leveransen:

borhammer, sidehåndtak, dybdeanlegg, bruksanvisning.

I tillegg finner du godkjente systemprodukter til produktet hos nærmeste **Hilti Store** eller under: www.hilti.group

4 Tekniske data

4.1 Borhammer

	TE 6-A22
Merkespenning	21,6 V
Vekt i henhold til EPTA Procedure 01 med batteri B228.0	3,8 kg
Nominelt tomgangsturtall	1 050 o/min
Boreområde i betong/mur (hammerboring)	4 mm ... 28 mm
Boreområde i tre (massivt bor)	3 mm ... 20 mm
Boreområde i metall (massivt bor)	3 mm ... 13 mm

4.2 Støyinformasjon og vibrasjonsverdier iht. EN 62841

Lydtrykk- og vibrasjonsverdiene som er angitt i denne bruksanvisningen, er målt i samsvar med en normert målemetode og kan brukes til sammenligning av elektroverktøy. De egner seg også til en foreløpig vurdering av eksponeringene.

De angitte dataene representerer de viktigste bruksområdene for elektroverktøyet. Men hvis elektroverktøyet brukes til andre formål, med avvikende innsatsverktøy eller med utilstrekkelig vedlikehold, kan dataene avvike. Dette kan øke eksponeringene betraktelig gjennom hele arbeidsperioden.

For å få en nøyaktig vurdering av eksponeringene må man også ta hensyn til tidsrommene da elektroverktøyet er slått av eller er i gang, men ikke i bruk. Dette kan redusere eksponeringene betraktelig gjennom hele arbeidsperioden.

Fastsett ekstra sikkerhetstiltak for å beskytte operatøren mot effekten av støy og/eller vibrasjoner, for eksempel: Vedlikehold av elektroverktøy og innsatsverktøy, holde hendene varme, organisering av arbeidsprosesser.

Støyinformasjon

Lydeffektnivå (L_{WA})	100 dB(A)
Avgitt lydtrykknivå (L_{pA})	89 dB(A)
Usikkerhet (lydverdier) (K_{pA} og K_{WA})	3 dB(A)

Totale vibrasjonsverdier

		TE 6-A22
Hammerboring i betong ($a_{h, HB}$)	B 22/2.6 Li-Ion (02)	19,9 m/s ²
	B 22/8.0 Li-Ion	17,1 m/s ²



		TE 6-A22
Usikkerhet hammerboring i betong	B 22/2.6 Li-Ion (02)	2,1 m/s ²
	B 22/8.0 Li-Ion	1,5 m/s ²
Meisling (a _{1h} , C _{Heq})	B 22/2.6 Li-Ion (02)	10,9 m/s ²
	B 22/8.0 Li-Ion	12,1 m/s ²
Usikkerhet meisling	B 22/2.6 Li-Ion (02)	1,5 m/s ²
	B 22/8.0 Li-Ion	1,5 m/s ²

4.3 Batteri

Batteriets driftsspenning	21,6 V
Omgivelsestemperatur under drift	-17 °C ... 60 °C
Lagringstemperatur	-20 °C ... 40 °C
Batteritemperatur ved ladestart	-10 °C ... 45 °C

5 Betjening

5.1 Klargjøring til arbeidet

ADVARSEL

Fare for personskader på grunn av utilsiktet start!

- ▶ Før batteriet settes i, må det kontrolleres at det tilhørende produktet er slått av.
- ▶ Fjern batteriet før du foretar maskininnstillinger eller skifter tilbehørsdeler.

Følg sikkerhetshenvisningene og advarslene i denne dokumentasjonen og på produktet.

5.2 Sette inn batteri

FORSIKTIG

Fare for personskader! Utilsiktet start av borhammeren.

- ▶ Før du setter inn batteriet, må du kontrollere at borhammeren er slått av og at bryteren for høyre-/venstregang står i midtstilling (innkoblingssperre).

1. Sett batteriet inn i holderen på maskinen til det klikker hørbart på plass.
2. Kontroller at batteriet sitter godt fast.

5.3 Ta ut batteriet

1. Trykk på låseknappene på batteriet.
2. Trekk batteriet ut bakover.

5.4 Montere sidehåndtak

FORSIKTIG

Fare for personskader! Tap av kontroll over produktet.

- ▶ Kontroller at sidehåndtaket er riktig montert og forskriftsmessig festet. Kontroller at klemmen ligger i sporet som er beregnet for dette på produktet.

1. Vri på håndtaket for å løsne holderen (klemmen) på sidehåndtaket.
2. Skyv dybdeanlegget forfra inn i de to føringshullene som er beregnet for dette.
3. Vri på håndtaket for å stramme holderen (klemmen) på sidehåndtaket.

5.5 Montering og justering av dybdeanlegg

- ▶ Monter ved behov dybdeanlegget og still det inn.



5.6 Montere/demontere chuck

FORSIKTIG

Fare for personskader! Fare for hindring av brukeren på grunn av montert, men ikke brukt dybdeanlegg.

- ▶ Fjern dybdeanlegget fra maskinen.

- ▶ Monter/demonter chucken.

5.7 Sette inn verktøy

1. Smør innstikkenden til innsatsverktøyet med litt fett.
 - ▶ Bruk bare originalfett fra **Hilti**. Feil fett kan forårsake skade på maskinen.
2. Sett innsatsverktøyet helt inn i chucken slik at det klikker på plass.
3. Trekk i verktøyet etter at du har satt det i, for å forsikre deg om at det er godt festet.
 - ▶ Produktet er klart til bruk.

5.8 Ta ut verktøyet

- ▶ Trekk verktøylåsen tilbake til anslag og ta ut innsatsverktøyet.

5.9 Arbeid over hodehøyde

- ▶ Monter støvoppsamleren DCD for arbeid over hodehøyde.

5.10 Plassere meiselen

- ▶ Sett funksjonsvelgeren i denne stillingen .

6 Arbeid

FORSIKTIG

Fare for materiell skade på grunn av feilhåndtering!

- ▶ Ikke betjen bryteren for rotasjonsretning og/eller funksjonsvalg under drift.

Følg sikkerhetshenvisningene og advarslene i denne dokumentasjonen og på produktet.

6.1 Funksjonsvelger

- ▶ Still inn funksjonsvelgeren på ønsket arbeidsstilling.
 - ▶ Funksjonsbryteren må ikke betjenes under drift. **Fare for materiell skade!**

6.2 Høyre-/venstregang

- ▶ Still inn bryteren for høyre-/venstregang i ønsket dreieretning.


6.3 Boring uten slag

- ▶ Sett funksjonsvelgeren i denne stillingen .

6.4 Hammerboring

- ▶ Sett funksjonsvelgeren i denne stillingen .

6.5 Meisling

- ▶ Sett funksjonsvelgeren i denne stillingen .
- ▶ For optimal motorkjøling velger du høyregang (borets rotasjonsretning).



7 Pleie og vedlikehold

7.1 Pleie og vedlikehold

ADVARSEL

Fare for personskader på grunn av isatt batteri !

- ▶ Ta alltid ut batteriet før stell og vedlikeholdsarbeid!

Pleie av produktet

- Fjern forsiktig gjenstridig smuss.
- Rengjør ventilasjonsåpningene, der slike finnes, forsiktig med en tørr og myk børste.
- Rengjør huset bare med en lett fuktet klut. Ikke bruk silikonholdige pleiemidler, ettersom dette kan angripe plastdelene.
- Bruk en ren og tørr klut for å rengjøre kontaktene på produktet.

Pleie av li-ion-batterier

- Bruk aldri et batteri med tilstoppede ventilasjonsåpninger. Rengjør ventilasjonsåpningene forsiktig med en tørr og myk børste.
- Unngå at batteriet unødig utsettes for støv eller smuss. Ikke utsett batteriet for høy fuktighet (f.eks. ved å dyppe det i vann eller la det stå ute i regnet).
Hvis et batteri blir gjennomvått, må det behandles som et skadet batteri. Isoler det i en ikke-brennbar beholder, og kontakt **Hilti** service.
- Hold batteriet fritt for fremmed olje og fett. Ikke la unødig støv eller smuss samle seg på batteriet. Rengjør batteriet med en tørr og myk børste eller en ren og tørr klut. Ikke bruk silikonholdige pleiemidler, ettersom dette kan angripe plastdelene.
Ikke berør kontaktene på batteriet, og ikke fjern fett som er smurt på kontaktene fra fabrikk.
- Rengjør huset bare med en lett fuktet klut. Ikke bruk silikonholdige pleiemidler, ettersom dette kan angripe plastdelene.

Vedlikehold

- Kontroller alle synlige deler regelmessig mht. skade og alle betjeningslementer mht. feilfri funksjon.
- Ved skader og/eller funksjonsfeil må produktet ikke brukes. Få produktet omgående reparert av **Hilti** service.
- Monter alle beskyttelsesinnretninger etter pleie- og vedlikeholdsarbeid, og kontroller at de fungerer feilfritt.



Av hensyn til sikkerheten må du bare bruke originale reservedeler og forbruksmateriell. Reservedeler, forbruksmateriell og tilbehør som er godkjent av **Hilti**, finner du i nærmeste **Hilti Store** eller på: www.hilti.group

7.2 Rengjøring av støvbeskyttelseskappen

- ▶ Rengjør støvbeskyttelseskappen på chucken med en ren, tørr klut.
- ▶ Tørk pakningen forsiktig ren og smør den inn med litt **Hilti**-smørefett.
- ▶ Støvbeskyttelseskappen må alltid byttes hvis pakningen er skadet.

8 Transport og lagring

8.1 Transport og lagring av batteriverktøy og batterier

Transport

FORSIKTIG

Utsiktet start under transport !

- ▶ Transporter alltid produktene dine uten batterier!
- ▶ Ta ut batteri(er).
- ▶ Batterier må aldri transporteres løst. Under transport må batteriene beskyttes mot kraftige støt og vibrasjoner og isoleres fra ledende materialer og andre batterier, slik at de ikke kan komme i berøring med andre batteripoler og dermed forårsake kortslutning. **Følg lokale transportforskrifter for batterier.**
- ▶ Batterier må ikke sendes i posten. Kontakt et transportfirma hvis du vil sende uskadde batterier.
- ▶ Kontroller produkt og batterier med henblikk på skader før hver bruk samt før og etter lengre transport.



Utsiktet skade på grunn av defekte batterier eller lekkasje fra batterier !

- ▶ Oppbevar alltid produktene dine uten batterier!
-
- ▶ Oppbevar produkt og batterier kjølig og tørt. Ta hensyn til temperaturgrensene som er angitt under tekniske data.
 - ▶ Ikke oppbevar batterier på laderen. Ta alltid batteriet ut av laderen etter ferdig lading.
 - ▶ Batterier må aldri oppbevares i solen, på varmekilder eller bak glass.
 - ▶ Oppbevar produktet og batterier utenfor barns og uvedkommendes rekkevidde.
 - ▶ Kontroller produkt og batterier med henblikk på skader før hver bruk samt før og etter lengre tids lagring.

9 Feilsøking

Ved feil som ikke står i denne tabellen eller som du selv ikke kan rette opp, må du kontakte **Hilti Service**.

9.1 Borhammeren er ikke operativ

Feil	Mulig årsak	Løsning
LED-ene på batteriet viser ingenting.	Batteriet er ikke satt helt i.	▶ La batteriet gå i lås med et dobbeltklikk.
	Utladet batteri.	▶ Skift batteri og lad tomt batteri.
	Batteriet er for varmt eller for kaldt.	▶ La batteriet avkjøles eller vent til batteriet har fått romtemperatur.
1 LED på batteriet blinker.	Utladet batteri.	▶ Skift batteri og lad tomt batteri.
	Batteriet er for varmt eller for kaldt.	▶ La batteriet avkjøles eller vent til batteriet har fått romtemperatur.
4 LED-er på batteriet blinker.	Borhammer kortvarig overbelastet.	▶ Slipp kontrollbryteren og trykk den inn på nytt.

9.2 Borhammeren er operativ

Feil	Mulig årsak	Løsning
Slageffekt uteblir.	Borhammeren for kald.	▶ Sett borhammeren på underlaget og la den gå på tomgang. Gjenta hvis nødvendig til slagverket arbeider.
	Funksjonsvelger på "Boring uten slag"	▶ Sett funksjonsvelgeren på "Hammerboring"
Kontrollbryteren kan ikke trykkes inn eller er blokkert.	Bryteren for høyre-/venstregang er i midtstilling.	▶ Trykk bryteren for høyre-/venstregang mot høyre eller venstre.
Maskinens spindel dreier ikke.	Den tillatte driftstemperaturen for elektronikken i borhammeren er overskredet.	▶ La verktøyet kjøles av.
	Utladet batteri.	▶ Skift batteri og lad tomt batteri.
	Funksjonsvelgeren står ikke i stillingen eller er i stillingen "Meisling" eller i stillingen "Plassere meiselen"	▶ Sett funksjonsvelgeren i stillingen "Boring uten slag" eller "Slagboring"
Borhammeren slår seg av automatisk.	Overbelastningsvernet utløses.	▶ Slipp kontrollbryteren. La borhammeren avkjøles. Trykk ned kontrollbryteren igjen. Reduser maskinbelastningen.
Batteriet blir raskere tomt enn vanlig.	Svært lave omgivelsestemperaturer.	▶ Varm batteriet langsomt opp til romtemperatur.



Feil	Mulig årsak	Løsning
Batteriet festes ikke med et hørbart dobbeltklikk.	Festetappene på batteriet er skitne.	► Rengjør festetappene og sett batteriet inn igjen.
Sterk varmeutvikling i borhammeren eller batteriet.	Elektrisk defekt	► Slå borhammeren av umiddelbart. Ta ut batteriet og undersøk det. La det avkjøles. Kontakt Hilti service .
	Borhammer overbelastet.	► Velg en kraftigere maskin.
Verktøyet løsner ikke fra chocken.	Chocken er ikke trukket helt tilbake.	► Trekk verktøylåsen tilbake til anslag og ta ut verktøyet.
Verktøyet trenger ikke inn i materialet.	Borhammer koblet i venstregang.	► Still inn høyregang med bryteren for høyre-/venstregang.
	Funksjonsvelger på "Boring uten slag" .	► Sett funksjonsvelgeren på "Hammerboring" T .

10 Ekstra tilbehør

10.1 Støvoppsamler DCD

Støvoppsamleren DCD brukes som tilbehør til **Hilti** borhammer. Den samler opp en stor prosentdel av støvet som oppstår og kan enkelt festes på borhammeren.

10.2 Støvmodul TE DRS-6-A / TE DRS-6-A OSHA

Støvmodulen TE DRS-6-A brukes som tilbehør til **Hilti**-borhammeren TE 6-A22. Den samler opp en stor prosentdel av støvet som oppstår og kan enkelt festes på borhammeren. I støvmodulen er det innebygd en sugevitte. Denne drives av en egen motor. Når du slår på borhammeren, får modulen strøm fra borhammerbatteriet.

Støvmodulen er ikke egnet ved arbeid i metall og tre.

Betingelser: TE DRS-6-A OSHA

TE DRS-6-A OSHA oppfyller direktivet OSHA 1926.1153 Table 1. Den er utstyrt med en filterrense-mekanisme.

10.2.1 Montere støvmodulen

Før montering må du kontrollere at festepunktene og de elektriske grensesnittene på borhammeren og på støvmodulen er støvfrie og går lett.

1. Kontroller støvmodulen mht. skade.
2. Kontroller at teleskopet går lett.
3. Sett bryteren for høyre-/venstregang av borhammeren i midtstilling.
4. Fjern dybdeanlegget fra sidehåndtaket.
5. Skyv støvmodulen forfra inn på maskinen til den smekker på plass.
6. Etter monteringen må du kontrollere at støvmodulen er gått i lås.

10.2.2 Boring med støvmodul

1. For å starte støvmodulen trykker du på kontrollbryteren på borhammeren.
2. Hold kontrollbryteren inne til full sugeeffekt er oppnådd.
3. Plasser sugehodet loddrett på underlaget.
4. Bor borehullet, og trekk produktet langsomt ut av borehullet for å fange opp mest mulig støv.

10.2.3 Tømme støvboksen

En full støvboks eller et tilstoppet filter kan føre til overdreven støvutvikling og må derfor tømmes regelmessig.

Tøm støvboksen etter 8-10 borehull (16 mm x 50 mm) (5/8 in x 2 in).

For å minimere støvutviklingen bør støvet oppbevares i en lukket beholder.



1. Hold maskinen vannrett og la den gå en kort stund.
 - ▶ Dermed blir støvresten som er avleiret i støvmodulen, sugd inn i støvboksen.
2. Trykk og hold inne låseknappen for støvboksen.
3. Trekk støvboksen ut av støvmodulen nedover.
4. Tøm støvboksen.
 - ▶ Filteret er tilsmusset.
 - ▶ Skift filter.
 - ▶ Filteret er ikke tilsmusset.
5. Skyv den tomme støvboksen inn i støvmodulen nedenfra til den smekker på plass.

10.2.4 Rense TE-DRS-OSHA-filteret **14**



Rengjør filteret etter 5 borehull (16 mm x 50 mm) (1/2 in x 3 in).

- ▶ Hvis sugoeffekten blir dårligere, trykker du på rensmekanismen til et hørbart klikk 5 ganger frem og tilbake.

10.2.5 Demontering av støvmodul **15**

1. Sett bryteren for høyre-/venstregang av borhammeren i midtstilling.
2. Trykk og hold inne låsemekanismen for DRS.
3. Trekk støvmodulen av maskinen fremover.

11 Kassering



ADVARSEL

Fare for personskade ved ikke-forskriftsmessig kassering! Gasser eller væsker som lekker ut, utgjør en helsefare.

- ▶ Ikke send skadde batterier i posten eller på annen måte!
- ▶ Dekk til kontaktene med et ikke-ledende materiale for å unngå kortslutning.
- ▶ Kasser batterier slik at de er utilgjengelige for barn.
- ▶ Lever inn batteriet i nærmeste **Hilti Store**, eller kontakt et lokalt renovasjonsfirma.

Hilti produkter er i stor grad laget av gjenvinnbare materialer. Riktig materialsortering er en forutsetning for gjenvinning. I mange land tar **Hilti** imot ditt gamle apparat for gjenvinning. Spør **Hilti** kundeservice eller forhandleren.



- ▶ Kast aldri elektroverktøy, elektronisk utstyr eller batterier i husholdningsavfallet!

12 RoHS (Richtlinie zur Beschränkung der Verwendung gefährlicher Stoffe)

Unter folgendem Link finden Sie die Tabelle gefährlicher Stoffe: qr.hilti.com/r4695.
Einen Link zur RoHS-Tabelle finden Sie am Ende dieser Dokumentation als QR-Code.

13 Produsentgaranti

- ▶ Når det gjelder spørsmål om garantibetingelser, ber vi deg kontakte din lokale **Hilti**-partner.



Alkuperäiset ohjeet

1 Tämän käyttöohjeen tiedot

1.1 Tästä käyttöohjeesta

- Lue ehdottomasti tämä käyttöohje ennen tuotteen käyttämistä. Se on turvallisen työnteon ja tuotteen ongelmattoman käsittelyn perusedellytys.
- Noudata tässä käyttöohjeessa annettuja ja tuotteessa olevia turvallisuus- ja varoitushuomautuksia.
- Säilytä käyttöohje aina tuotteen yhteydessä, ja anna tuote toiselle henkilölle aina käyttöohjeen kanssa.

1.2 Merkkien selitykset

1.2.1 Varoitushuomautukset

Varoitushuomautukset varoittavat tuotteen käyttöön liittyvistä vaaroista. Seuraavia varoitustekstejä käytetään:

VAKAVA VAARA

VAKAVA VAARA !

- ▶ Varoittaa uhkaavasta vaaratilanteesta, josta voi seurauksena olla vakava loukkaantuminen tai jopa kuolema.

VAARA

VAARA !

- ▶ Varoittaa mahdollisesta vaarasta, josta voi seurauksena olla vakava loukkaantuminen tai kuolema.






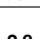
VAROITUS

HUOMIO !

- ▶ Varoittaa mahdollisesta vaaratilanteesta, josta voi seurata loukkaantuminen tai aineellinen vahinko.





1.2.2 Symbolit käyttöohjeessa

Tässä käyttöohjeessa käytetään seuraavia symboleita:

	Noudata käyttöohjetta
	Toimintaohjeita ja muuta hyödyllistä tietoa
	Kierrätyskelpoisten materiaalien käsittely
	Älä hävitä sähkölaitteita ja akkuja tavallisen sekajätteen mukana
	Hilti Litiumioniakku
	Hilti Laturi

1.2.3 Symbolit kuvissa

Kuvissa käytetään seuraavia symboleita:

	Nämä numerot viittaavat vastaavaan kuvaan tämän käyttöohjeen alussa.
	Numerointi kuvissa viittaa tärkeisiin työvaiheisiin tai työvaiheiden kannalta tärkeisiin rakenneosiin. Nämä vastaavasti numeroidut työvaiheet tai rakenneosat korostetaan tekstissä, esimerkiksi (3) .
	Kohtanumeroita käytetään kuvassa Yleiskuva , ja ne viittaavat kuvatekstien numerointiin kappaleessa Tuoteyhteenvedo .
	Tämän merkin tarkoitus on kiinnittää erityinen huomio tuotteen käyttöön ja käsittelyyn.



1.3 Tuotekohtaiset symbolit

1.3.1 Symbolit

Tuotteessa voidaan käyttää seuraavia symboleita:

	Poraus ilman iskua
	Poraaminen iskulla (iskuporaus)
	Piikkaaminen
	Piikkausterän kohdistaminen
	Suunnanvaihtokytkin vasemmalle/oikealle
n_0	Nimellisjoutokäyntikierrosluku
	Tasavirta
Li-Ion	Litiumioniakku
	Käytettävien Hilti -litiumioniakkujen tyyppisarja. Ota kappaleessa Tarkoituksenmukainen käyttö annetut tiedot huomioon.
	Älä koskaan käytä akkua lyöntityökaluna.
	Älä päästä akkua putoamaan. Älä käytä akkua, johon on kohdistunut isku tai joka on muutoin vaurioitunut.
	Tämä kone tukee iOS- ja Android-alustojen kanssa yhteensopivaa NFC-teknologiaa.

1.4 Tuotetiedot

HILTI -tuotteet on tarkoitettu ammattikäyttöön, ja niitä saa käyttää, huoltaa tai korjata vain valtuutettu, koulutettu henkilö. Käyttäjän pitää olla hyvin perillä käyttöön liittyvistä vaaroista. Tuote ja sen varusteet saattavat aiheuttaa vaaratilanteita, jos kokemattomat henkilöt käyttävät tuotetta ohjeiden vastaisesti tai muutoin asiattomasti.

Tyyppimerkinnän ja sarjanumeron löydät tyyppikilvestä.

- Kirjoita sarjanumero oikeeseen taulukkoon. Tuotteen tiedot tarvitaan, jos esität kysymyksiä myynti- tai huoltoedustajallemme.

Tuotetiedot

Poravasara	TE 6-A22
Sukupuoli	04
Sarjanumero	

1.5 Vaatimustenmukaisuusvakuutus

Vakuutamme, että tässä kuvattu tuote täyttää voimassa olevien direktiivien ja standardien vaatimukset. Kuva vaatimustenmukaisuusvakuutuksesta on tämän dokumentaation lopussa.

Tekninen dokumentaatio löytyy tästä:

Hilti Entwicklungsgesellschaft mbH | Zulassung Geräte | Hiltistraße 6 | 86916 Kaufering, DE

2 Turvallisuus

2.1 Sähkötyökaluja koskevat yleiset turvallisuusohjeet

⚠ VAKAVA VAARA Lue kaikki turvallisuus- ja käyttöohjeet, selostukset ja tekniset tiedot, jotka liittyvät tähän sähkötyökaluun. Seuraavien ohjeiden noudattamatta jättäminen saattaa johtaa sähköiskuun, tulipaloon ja/tai vakavaan loukkaantumiseen.

Säilytä kaikki turvallisuus- ja käyttöohjeet huolellisesti vastaisen varalle.



Turvallisuusohjeissa käytetty käsite ”sähkötyökalu” tarkoittaa verkkokäyttöisiä sähkötyökaluja (joissa verkkojohto) ja akkukäyttöisiä sähkötyökaluja (joissa ei verkkojohtoa).

Työpaikan turvallisuus

- ▶ **Pidä työskentelyalue siistinä ja hyvin valaistuna.** Työpaikan epäjärjestys ja valaisemattomat työalueet voivat johtaa tapaturmiin.
- ▶ **Älä käytä sähkötyökalua räjähdyksalttiissa ympäristössä, jossa on syttyvää nestettä, kaasua tai pölyä.** Sähkötyökalut synnyttävät kipinöitä, jotka saattavat sytyttää pölyn tai höyryt.
- ▶ **Pidä lapset ja sivulliset loitolla sähkötyökalua käyttäessäsi.** Voit menettää koneen hallinnan huomiosi suuntautuessa muualle.

Sähköturvallisuus

- ▶ **Sähkötyökalun pistokkeen pitää sopia pistorasiaan. Pistoketta ei saa muuttaa millään tavalla. Älä käytä pistorasia-adaptoreita suojamaadotettujen sähkötyökalujen yhteydessä.** Alkuperäisessä kunnossa olevat pistokkeet ja sopivat pistorasiat vähentävät sähköiskun vaaraa.
- ▶ **Vältä koskettamasta sähköä johtaviin pintoihin kuten putkiin, pattereihin, liesiin ja jääkaappeihin.** Sähköiskun vaara kasvaa, jos kehoosi maadottuu.
- ▶ **Älä aseta sähkötyökalua alttiiksi sateelle tai kosteudelle.** Veden tunkeutuminen sähkötyökalun sisään lisää sähköiskun vaaraa.
- ▶ **Älä kannna tai ripusta sähkötyökalua verkkojohdostaan äläkä vedä pistoketta irti pistorasiasta johdosta vetämällä. Pidä johto loitolla kuumuudesta, öljystä, terävistä reunoista ja liikkuvista osista.** Vahingoittuneet tai toisiinsa kietoutuneet johdot lisäävät sähköiskun vaaraa.
- ▶ **Kun käytät sähkötyökalua ulkona, käytä ainoastaan ulkokäyttöön soveltuvia jatkojohtoja.** Ulko-käyttöön soveltuvan jatkojohdon käyttö pienentää sähköiskun vaaraa.
- ▶ **Jos sähkötyökalua on välttämätöntä käyttää kosteassa ympäristössä, käytä vikavirtasuojakytkintä.** Vikavirtasuojakytkimen käyttö pienentää sähköiskun vaaraa.

Henkilöturvallisuus

- ▶ **Ole valpas, kiinnitä huomiota työskentelyysi ja noudata tervettä järkeä sähkötyökalua käyttäessäsi. Älä käytä sähkötyökalua, jos olet väsynyt tai huumeiden, alkoholin tai lääkkeiden vaikutuksen alaisena.** Sähkötyökalua käytettäessä hetkellinenkin varomattomuus saattaa aiheuttaa vakavia vammoja.
- ▶ **Käytä henkilökohtaisia suojarusteita ja aina suojalaseja.** Henkilökohtaiset suojarusteet, kuten hengityssuojain, luistamattomat turvajalkineet, kypärä ja kuulosuojaimet, pienentävät oikein käytettyinä loukkaantumisriskiä sähkötyökalun käyttötilanteesta riippuen.
- ▶ **Varo tahatonta käynnistämistä. Varmista, että sähkötyökalu on kytketty pois päältä, ennen kuin liität sen verkkovirtaan ja/tai liität siihen akun, otat sen käteesi tai kannat sitä.** Jos kannat sähkötyökalua sormi käyttökytkimellä tai liität pistokkeen pistorasiaan käyttökytkimen ollessa käyntiasennossa, altistat itsesi onnettomuuksille.
- ▶ **Poista kaikki säätötyökalut ja ruuvitaltat, ennen kuin käynnistät sähkötyökalun.** Työkalu tai avain, joka sijaitsee koneen pyörivässä osassa, saattaa johtaa loukkaantumiseen.
- ▶ **Vältä vaikeita työskentelyasentoja. Varmista aina tukeva seisoma-asento ja tasapaino.** Siten voit paremmin hallita sähkötyökalua odottamattomissa tilanteissa.
- ▶ **Käytä työhösi soveltuvia vaatteita. Älä käytä löysiä työvaatteita tai koruja. Pidä hiukset, vaatteet ja käsineet loitolla liikkuvista osista.** Väljät vaatteet, korut ja pitkät hiukset voivat takertua liikkuviin osiin.
- ▶ **Jos pölynpoisto- ja keräilylaitteita voidaan asentaa, sinun on tarkastettava, että ne on liitetty oikein ja että niitä käytetään oikealla tavalla.** Pölynpoistovarustuksen käyttö vähentää pölyn aiheuttamia vaaroja.
- ▶ **Älä tuudittaudu virheelliseen turvallisuuden tunteeseen äläkä laiminlyö sähkötyökaluja koskevia turvallisuusohjeita silloinkaan, kun mielestäsi jo olet kokenut sähkötyökalun käyttäjä.** Harkitsema-ton ja huolimaton toiminta voi sekunnin murto-osissa johtaa vakaviin loukkaantumisiin.

Sähkötyökalun käyttö ja käsittely

- ▶ **Älä ylikuormita konetta. Käytä kyseiseen työhön tarkoitettua sähkötyökalua.** Sopivaa sähkötyökalua käyttäen työskentelet paremmin ja varmemmin tehoalueella, jolle sähkötyökalu on tarkoitettu.
- ▶ **Älä käytä sähkötyökalua, jonka käyttökytkin ei toimi.** Sähkötyökalu, jota ei enää voida käynnistää ja pysäyttää käyttökytkimellä, on vaarallinen ja se täytyy korjata.
- ▶ **Irrota pistoke pistorasiasta ja/tai irrota akku ennen kuin muut säätöjä, vaihdat terää tai lisävarusteita ja kun lopetat koneen käyttämisen.** Tämä turvatoimenpide estää sähkötyökalun tahattoman käynnistysriskin.
- ▶ **Säilytä sähkötyökalut poissa lasten ulottuvilta, kun niitä ei käytetä. Älä anna toisten henkilöiden käyttää konetta, elleivät he ole perehtyneet sen käyttöön ja lukeneet käyttöohjeita.** Sähkötyökalut ovat vaarallisia, jos niitä käyttävät kokemattomat henkilöt.



- ▶ **Hoida sähkötyökaluja ja niiden varusteita huolella.** Tarkasta, että liikkuvat osat toimivat moitteettomasti eivätkä ole puristuksissa, ja tarkasta myös, ettei sähkötyökalussa ole murtuneita tai vaurioituneita osia, jotka saattaisivat haitata sen toimintaa. Korjauta vaurioituneet osat ennen koneen käyttämistä. Usein loukkaantumisten ja tapaturmien syyinä on sähkötyökalujen laiminlyöty huolto.
- ▶ **Pidä terät terävinä ja puhtaina.** Huolella hoidetut terät, joiden leikkausreunat ovat teräviä, eivät jumitu herkästi, ja niillä työnteko on kevyempää.
- ▶ **Käytä sähkötyökalua, lisävarusteita ja tarvikkeita, teriä jne. niiden käyttöohjeiden mukaisesti. Ota tällöin työolosuhteet ja suoritettava työtehtävä huomioon.** Sähkötyökalun käyttö muuhun kuin sille tarkoitettuun käyttöön saattaa johtaa vaarallisiin tilanteisiin.
- ▶ **Pidä käsikahvat ja tartuntapinnat kuivina, puhtaina, öljyttöminä ja rasvattomina.** Jos käsikahvat tai tartuntapinnat ovat liukkaat, sähkötyökalun turvallinen käyttö ja hallinta voi yllättävissä tilanteissa olla mahdotonta.

Akkukäyttöisen sähkötyökalun käyttö ja käsittely

- ▶ **Lataa akku vain valmistajan suositamalla laturilla.** Jos laturi on tarkoitettu vain tietyn akkumallin lataamiseen, palovaara on olemassa, jos laturia käytetään muiden akkujen lataamiseen.
- ▶ **Käytä ainoastaan juuri kyseiseen sähkötyökaluun tarkoitettua akkua.** Jonkun muun akun käyttö saattaa johtaa loukkaantumiseen ja tulipaloon.
- ▶ **Pidä irrallinen akku loitolla metalliesineistä, kuten paperinliittimistä, kolikoista, avaimista, nau-loista, ruuveista tai muista pienistä metalliesineistä, jotka voivat oikosulkea akun liittimet.** Akun liittimien välinen oikosulku saattaa aiheuttaa palovammoja tai johtaa tulipaloon.
- ▶ **Väärästä käytöstä johtuen saattaa akusta vuotaa nestettä, jota ei saa koskettaa. Vältä kosketusta sen kanssa.** Tarvittaessa huuhtele kosketuskohta vedellä. Jos nestettä pääsee silmiin, tarvitaan lisäksi lääkärin apua. Akusta vuotava neste saattaa aiheuttaa ärsytystä ja palovammoja.
- ▶ **Älä käytä akkua, joka on vaurioitunut tai johon on tehty muutoksia.** Vaurioitunut akku tai akku, jota on muutettu, saattaa käyttäytyä yllättävästi ja aiheuttaa tulipalon, räjähdyksen ja vammoja.
- ▶ **Varjele akkua avotulelta ja korkeilta lämpötiloilta.** Avotuli tai yli 130 °C:n (265 °F) lämpötila voi aiheuttaa räjähdyksen.
- ▶ **Noudata kaikkia akun lataamisesta annettuja ohjeita, ja lataa akku tai akun sisältävä sähkötyökalu aina käyttöohjeessa mainittuja lämpötilarajoja noudattaen.** Akun virheellinen lataaminen tai lataaminen sallitun lämpötila-alueen lämpötiloita noudattamatta saattaa johtaa akun tuhoutumiseen ja aiheuttaa tulipalovaaran.

Huolto

- ▶ **Anna koulutettujen ammattihenkilöiden korjata sähkötyökalusi ja hyväksy korjauksiin vain alkupe-räisiä varaosia.** Siten varmistat koneen turvallisuuden säilymisen.
- ▶ **Älä koskaan yritä huoltaa vaurioitunutta akkua.** Akkujen kaikki huoltotyöt saa suorittaa vain valmistaja tai sen valtuuttama huoltopiste.

2.2 Poravasaroita koskevat turvallisuusohjeet

Turvallisuusohjeet kaikkiin töihin

- ▶ **Käytä kuulosuojaimia.** Melu saattaa heikentää kuuloasi.
- ▶ **Käytä koneen mukana toimitettuja lisäkäsikahvoja.** Koneen hallinnan menettäminen saattaa aiheuttaa loukkaantumisia.
- ▶ **Pidä koneesta kiinni vain sen eristetyistä kahvapinnoista, jos teet työtä, jossa terä saattaa osua rakenteen sisällä olevaan virtajohtoon.** Jos terä osuu virtajohtoon, koneen metalliosiin saattaa johtua virta, jolloin saatat saada sähköiskun.

Turvallisuusohjeet jos käytät pitkiä poranteriä

- ▶ **Aloita poraaminen aina pienellä kierrosluvulla ja siten, että poranterä koskettaa työkappaletta.** Suuremmilla kierrosluvuilla poranterä saattaa herkästi taipua, jos se pyörii vapaasti ilman että se koskettaa työkappaletta, ja seurauksena voi olla loukkaantumisia.
- ▶ **Älä paina konetta tarpeettoman kovalla voimalla ja paina aina vain poranterän pituussuuntaan.** Poranterät voivat taipua ja siten murtua, tai seurauksena voi olla hallinnan menettäminen ja loukkaantu-misia.

2.3 Lisää poravasaroitten turvallisuusohjeita

Henkilöturvallisuus

- ▶ Käytä vain tuotetta ja lisävarusteita, jotka ovat teknisesti moitteettomassa kunnossa.
- ▶ Älä koskaan tee tuotteeseen tai lisävarusteisiin minkäänlaisia muutoksia.



- ▶ Käytä tuotteen mukana toimitettuja lisäkäsikahvoja. Hallinnan menettäminen saattaa aiheuttaa loukkaantumisia.
- ▶ Kun teet reikiä, varmista työstettävän kohdan taustapuoli. Putoamaan tai sinkoutumaan pääsevät palaset voivat aiheuttaa muille vammoja.
- ▶ Pidä tuotteesta aina kiinni käsikahvoista molemmin. Pidä käsikahvat kuivina ja puhtaina.
- ▶ Pidä tuotteesta kiinni vain sen eristetyistä kahvapinnoista, jos teet työtä, jossa työkaluterä saattaa osua rakenteen sisällä olevaan virtajohtoon. Jos terä osuu virtajohtoon, tuotteen metalliosiin saattaa johtua virta, jolloin saatat saada sähköiskun.
- ▶ Varo, ettet koske pyöriviin osiin - loukkaantumisvaara!
- ▶ Tuotetta käyttäessäsi käytä silmäsuojaimia, suojakypärää, kuulosuojaimia ja soveltuvaa hengityssuojainta.
- ▶ Käytä työkaluterän vaihdossa suojakäsineitä. Työkaluterän koskettaminen saattaa aiheuttaa haavoja ja palovammoja.
- ▶ Käytä suojalaseja. Sirpaleet saattavat aiheuttaa vammoja ja vahingoittaa silmiä.
- ▶ Hiottaessa, kiillotettaessa, leikattaessa ja porattaessa syntyvä pöly saattaa sisältää vaarallisia kemikaaleja. Niistä esimerkkejä ovat: lijy tai lijyypitoiset maalit; tiili, betoni ja muut muuraustuotteet, luonnonkivi ja muut silikaatteja sisältävät tuotteet; tietyt puulajit kuten tammi, pyökki ja kemiallisesti käsitellyt puut; asbesti tai asbestia sisältävät materiaalit. Määritä työstettävien materiaalien vaaraluokituksen perusteella käyttäjän ja lähellä olevien henkilöiden altistumisvaara. Ryhdy tarvittaviin toimenpiteisiin altistumisen pitämiseksi turvallisella tasolla, esimerkiksi käytettävä pölynkeräysjärjestelmää tai soveltuvaa hengityssuojainta. Altistumisen määrää pienentäviä yleisluonteisia toimenpiteitä ovat:
 - ▶ työn tekeminen hyvin tuulettuvassa tilassa,
 - ▶ pitkään kestävä pölyaltistuksen välttäminen,
 - ▶ pölyn ohjaaminen pois kasvoilta ja keholta,
 - ▶ suojavaatetuksen käyttö ja kehon altistuneiden kohtien pesu vedellä ja saippualla.
- ▶ Pidä työssäsi usein taukoja, joiden aikana tee sormien verenkiertoa parantavia sormivoimistelulikkeitä. Pitempään jatkuva työnteko saattaa tärinän vuoksi aiheuttaa verenkiertohäiriöitä tai sormien, käsien ja ranteiden hermokipuja.

Sähköturvallisuus

- ▶ Tarkasta ennen työn aloittamista, onko työskentelyalueella rakenteiden sisälle asennettuja sähköjohtoja tai kaasu- ja vesiputkia. Tuotteen ulkopinnan metalliosista saatat saada sähköiskun tai aiheuttaa räjähdyksen, jos vahingossa osut sähköjohtoon, kaasuputkeen tai vesiputkeen.

Sähkötyökalujen käyttö ja hoito

- ▶ Kytke tuote heti pois päältä, jos työkaluterä jumittuu. Tuote saattaa pyrkiä liikkumaan sivusuunnassa.
- ▶ Odota, että tuote on täysin pysähtynyt, ennen kuin lasket sen kädestäsi.

2.4 Pölynpoistovarustusta koskevat turvallisuusohjeet

- ▶ Noudata kaikkia tässä dokumentaatiossa ja koneessa olevia turvallisuusohjeita.
- ▶ Käytä hengityssuojainta, joka suojaa kasvoja ja hengitysteitä porattaessa syntyvältä ja koneen huoltotöitä tehtäessä leviävältä pölyltä.
- ▶ Käytä myös pölynpoistovarustus asennettuna aina **Hilti**-poravasaran sivukahvaa.

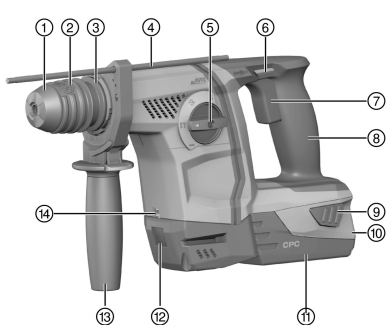
2.5 Akkujen käyttö ja hoito

- ▶ Ota litiumioniakkujen kuljettamisesta, varastoinnista ja käyttämisestä annetut erityisohjeet huomioon.
- ▶ Suojaa akut korkeilta lämpötiloilta, suoralta auringonpaisteelta ja avotulelta.
- ▶ Akkuja ei saa avata, puristaa, kuumentaa lämpötilaan yli 80 °C (176 °F) tai polttaa.
- ▶ Älä käytä tai lataa akkua, joka on saanut iskun, joka on pudonnut yli metrin korkeudelta tai joka on muulla tavoin vaurioitunut. Tällaisessa tapauksessa ota aina yhteys **Hilti -huoltoon**.
- ▶ Jos akku on liian kuuma koskea, se saattaa olla vaurioitunut. Laita akku palovaarattomaan paikkaan ja riittävän etäälle syttyivistä materiaaleista. Anna akun jäähtyä. Jos akku vielä tinnin kuluttuakin on liian kuuma koskea, akku on vaurioitunut. Ota yhteys **Hilti-huoltoon**.



3 Kuvaus

3.1 Tuoteyhteenvedo



- ① Pölysuojus
- ② Istukka
- ③ Työkaluterän lukituksen vapautus
- ④ Syvyyusrajoitin
- ⑤ Toimintatavan valintakytkin
- ⑥ Suunnanvaihtokytkin jossa päälle kytkemisen salpa
- ⑦ Käyttökytkin
- ⑧ Käsikahva
- ⑨ Akun lukituksen vapautuspainikkeet
- ⑩ Lataustila- ja häiriönäyttö (litiumioniakku)
- ⑪ Akku
- ⑫ Liittäntä pölynpoistovarustukselle TE DRS-6-A(02)
- ⑬ Sivukahva
- ⑭ Työaluevalo

3.2 Tarkoituksenmukainen käyttö

Kuvattu tuote on akkukäyttöinen poravasara. Se on tarkoitettu poraamiseen teräkseen, puuhun, tiileen ja muuraukseen, poraamiseen iskulla betoniin, tiileen ja muuraukseen sekä ruuvien kiertämiseen. Tuotetta voidaan myös käyttää tiilen ja muurauksen kevyisiin piikkaustöihin ja betonin viimeistelytöihin.

- ▶ Käytä tämän tuotteen yhteydessä vain B 22 -tyyppisarjan **Hilti**-litiumioniakkuja.
- ▶ Käytä tämän tuotteen yhteydessä vain B22-sarjan **Hilti**-litiumioniakkuja.

3.3 Li-ioniakun lataustilan näyttö

Litiumioniakun lataustila ja koneen häiriöt näytetään litiumioniakun näytössä. Litiumioniakun lataustila näytetään, kun jompaakumpaa akun lukituksen vapautuspainikkeista painetaan kevyesti.

Tila	Merkitys
4 LED-merkkivaloa palaa.	Lataustila: 75 % ... 100 %
3 LED-merkkivaloa palaa.	Lataustila: 50 % ... 75 %
2 LED-merkkivaloa palaa.	Lataustila: 25 % ... 50 %
1 LED-merkkivalo palaa.	Lataustila: 10 % ... 25 %
1 LED-merkkivalo vilkkuu.	Lataustila: < 10 %

Akun lataustilan tarkastaminen ei ole mahdollista käyttökytkin painettuna ja 5 sekunnin aikana käyttökytkimen vapauttamisesta. Jos akun LED-merkkivalot vilkkuvat, ota huomioon ohjeet kappaleessa Apua häiriötilanteisiin.

3.4 Toimituksen sisältö

Poravasara, sivukahva, syvyyusrajoitin, käyttöohje.

Muita tälle tuotteelle hyväksytyjä järjestelmätuotteita löydät **Hilti Store** -liikkeestä tai nettiosoitteesta: www.hilti.group

4 Tekniset tiedot

4.1 Poravasara

	TE 6-A22
Nimellisjännite	21,6 V
Paino EPTA Procedure 01 mukaan sis. akku B228.0	3,8 kg



	TE 6-A22
Nimellisjoutokäyntikierrosluku	1 050/min
Poraaminen betoniin / tilteen (poraaminen iskulla)	4 mm ... 28 mm
Poraaminen puuhun (puuporterät)	3 mm ... 20 mm
Metalliin porattavan reiän halkaisija	3 mm ... 13 mm

4.2 Melutiedot ja tärinäarvot EN 62841 mukaan

Tässä käyttöohjeessa annetut äänenpaine- ja tärinäarvot on mitattu standardoitujen mittausten menetelmien mukaisesti, ja näitä arvoja voidaan käyttää sähkötyökalujen vertailussa. Ne soveltuvat myös altistumisten tilapäiseen arviointiin.

Annetut arvot koskevat sähkötyökalun pääasiallisia käyttötarkoituksia. Jos sähkötyökalua kuitenkin käytetään muihin tarkoituksiin, poikkeavia työkaluja tai teriä käyttäen tai puutteellisesti huollettuna, arvot voivat poiketa tässä ilmoitetuista. Tämä saattaa merkittävästi lisätä altistumista koko työskentelyajan aikana.

Altistumisia tarkasti arvioitaessa on otettava huomioon myös ne ajat, jolloin sähkötyökalu on kytketty pois päältä tai jolloin sähkötyökalu on päällä, mutta sillä ei tehdä varsinaista työtä. Tämä saattaa merkittävästi vähentää altistumista koko työskentelyajan aikana.

Käyttäjän suojaamiseksi melun ja/tai tärinän vaikutukselta ryhdy tarpeellisiin turvatoimenpiteisiin kuten: Sähkötyökalun ja siihen kiinnitettävien työkalujen huolto, käsien lämpimänä pitäminen, työtehtävien organisointi.

Meluarvot

Äänitehotaso (L_{WA})	100 dB(A)
Melupäästön äänenpainetaso (L_{pA})	89 dB(A)
Epävarmuus (melupäästöarvot) (K_{pA} ja K_{WA})	3 dB(A)

Tärinän kokonaisarvot

		TE 6-A22
Iskuporaaminen betoniin ($a_{h, HD}$)	B 22/2.6 Li-Ion (02)	19,9 m/s ²
	B 22/8.0 Li-Ion	17,1 m/s ²
Epävarmuus iskuporattaessa betoniin	B 22/2.6 Li-Ion (02)	2,1 m/s ²
	B 22/8.0 Li-Ion	1,5 m/s ²
Piikkaus ($a_{h, Cheq}$)	B 22/2.6 Li-Ion (02)	10,9 m/s ²
	B 22/8.0 Li-Ion	12,1 m/s ²
Epävarmuus piikattaessa	B 22/2.6 Li-Ion (02)	1,5 m/s ²
	B 22/8.0 Li-Ion	1,5 m/s ²

4.3 Akku

Akkutoimintajännite	21,6 V
Ympäristön lämpötila käytettäessä	-17 °C ... 60 °C
Varastointilämpötila	-20 °C ... 40 °C
Akun lämpötila lataamisen alkaessa	-10 °C ... 45 °C

5 Käyttö

5.1 Työkohteen valmistelu

VAARA

Loukkaantumisvaara vahingossa käynnistymisen seurauksena!

- ▶ Varmista ennen akun kiinnittämistä, että tuote on kytketty pois päältä.
- ▶ Irrota akku, ennen kuin muutat koneen säätöjä tai vaihdat lisävarusteosia.

Noudata tässä dokumentaatiossa ja tuotteessa olevia turvallisuus- ja varoitushuomautuksia.



5.2 Akun kiinnitys 2

VAROITUS

Loukkaantumisvaara! Poravasaran käynnistyminen vahingossa.

- ▶ Varmista ennen akun kiinnittämistä, että poravasara on kytketty pois päältä ja että käynnistymisen esto on kytketty päälle (suunnanvaihtokytkin keskiasennossa).

1. Aseta akku konekiinnikkeeseen siten, että se kuultavasti lukittuu.
2. Tarkasta, että akku on kunnolla kiinni.

5.3 Akun irrotus 3

1. Paina akun lukituksen vapautuspainikkeita.
2. Vedä akku taaksepäin irti.

5.4 Sivukahvan kiinnitys 4

VAROITUS

Loukkaantumisvaara! Tuotteen hallinnan menettämisen vaara.

- ▶ Varmista, että sivukahva on kiinnitetty oikein ja kunnolla kiinni. Varmista, että kiinnityspanta on oikein paikallaan tuotteessa olevassa urassa.

1. Kierrä kahvaa sivukahvan kiinnittimen (kiinnityspanta) avaamiseksi.
2. Työnnä syvysrajoitin edestäpäin sille tarkoitettuihin 2 ohjainreikään.
3. Kierrä kahvaa sivukahvan kiinnittimen (kiinnityspanta) kiinni kiristämiseksi.

5.5 Syvysrajoittimen kiinnitys ja säätö 5

- ▶ Tarvittaessa kiinnitä syvysrajoitin ja säädä se.

5.6 Istukan kiinnitys ja irrotus 6

VAROITUS

Loukkaantumisvaara! Kiinnitetty mutta ei-käytettävä syvysrajoitin haittaa koneen käyttäjää ja aiheuttaa vaaran.

- ▶ Irrota syvysrajoitin koneesta.

- ▶ Kiinnitä tai irrota istukka.

5.7 Työkaluterän kiinnitys 7

1. Rasvaa työkaluterän istukkapää kevyesti.
 - ▶ Käytä vain alkuperäistä **Hilti**-rasvaa. Vääränlainen rasva voi vaurioittaa konetta.
2. Laita työkalu istukkaan vasteeseen saakka ja varmista, että se lukittuu paikalleen.
3. Tarkasta työkaluterän kunnollinen lukittuminen vetämällä työkaluterästä.
 - ▶ Tuote on toimintavalmis.

5.8 Työkaluterän irrotus 8

- ▶ Vedä työkaluterän lukitsin taaksepäin vasteeseen saakka ja irrota työkaluterä.

5.9 Ylöspäin tehtävät työt 9

- ▶ Ylöspäin tehtäviä töitä varten kiinnitä pölynkeräysrengas DCD.

5.10 Piikkausterän kohdistaminen 10

- ▶ Aseta toimintatapa valitsin tähän asentoon ->.



6 Työskentely

VAROITUS

Vaurioitumisvaara väärän käsittelyn seurauksena!

- ▶ Älä käytä suunnanvaihdon ja/tai toimintatavan valinnan kytkimiä koneen käytön aikana.

Noudata tässä dokumentaatioissa ja tuotteessa olevia turvallisuus- ja varoitushuomautuksia.

6.1 Toimintatavan valintakytkin

- ▶ Aseta toimintatapavalitsin työtehtävää vastaavaan asentoon.
 - ▶ Toimintatapavalitsinta ei saa käyttää koneen käydessä. **Vaurioitumisvaara!**

6.2 Suunnanvaihtokytkin vasemmalle/oikealle

- ▶ Valitse haluamasi pyörimissuunta suunnanvaihtokytkimellä.

6.3 Poraus ilman iskua

- ▶ Aseta toimintatapavalitsin tähän asentoon

6.4 Poraus iskulla

- ▶ Aseta toimintatapavalitsin tähän asentoon

6.5 Piikkaaminen

- ▶ Aseta toimintatapavalitsin tähän asentoon .
 - ▶ Moottorin optimaalista jäähdytystä varten valitse pyörimissuunta oikealle (poraaminen).

7 Huolto ja kunnossapito

7.1 Huolto, hoito ja kunnossapito

VAARA

Loukkaantumisvaara jos akku paikallaan !

- ▶ Irrota akku aina ennen hoito- ja kunnostustöitä!

Tuotteen hoito

- Puhdista pinttynyt lika varovasti.
- Jos tuotteessa on jäähdytysilmaraat, puhdista ne varovasti kuivalla ja pehmeällä harjalla.
- Puhdista kotelon pinnat vain kevyesti kostutetulla kankaalla. Älä käytä silikonia sisältäviä hoitoaineita, sillä ne saattavat vaurioittaa muoviosia.
- Käytä tuotteen liittimien puhdistamiseen vain puhdasta ja kuivaa kangaspalaa.

Litiumioniakkujen hoito

- Älä koskaan käytä akkua, jos sen jäähdytysilmaraat ovat tukkeutuneet. Puhdista jäähdytysilmaraat varovasti kuivalla, pehmeällä harjalla.
- Vältä altistamasta akkua tarpeettomasti pölylle tai lialle. Älä koskaan altista akkua suurelle kosteudelle (esimerkiksi upota veteen tai jätä sateeseen).
- Jos akku on pahoin kastunut, käsittele sitä kuin vaurioitunutta akkua. Eristä akku palamattomasta materiaalista valmistettuun astiaan ja ota yhteys **Hilti**-huoltoon.
- Pidä akku öljyttömänä ja rasvattomana. Älä anna pölyn ja lian kertyä akun pintaan. Puhdista akku kuivalla, pehmeällä harjalla tai puhtaalla, kuivalla kankaalla. Älä käytä silikonia sisältäviä hoitoaineita, sillä ne saattavat vaurioittaa muoviosia.
 - Älä kosketa akun liittimiä äläkä poista akun liittimiin tehtaalla laitettua rasvaa.
- Puhdista kotelon pinnat vain kevyesti kostutetulla kankaalla. Älä käytä silikonia sisältäviä hoitoaineita, sillä ne saattavat vaurioittaa muoviosia.

Kunnossapito

- Tarkasta säännöllisin välein kaikkien näkyvien osien mahdolliset vauriot ja käyttöelementtien moitteeton toiminta.



- Jos havaitset vaurioita ja/tai toimintahäiriöitä, älä käytä tuotetta. Korjauta tuote viipymättä **Hilti**-huollossa.
- Hoito- ja kunnostustöiden jälkeen kiinnitä kaikki suojalaitteet takaisin ja tarkasta niiden moitteeton toiminta.



Käyttöturvallisuuden varmistamiseksi käytä vain alkuperäisiä varaosia ja käyttömateriaaleja. **Hiltin** tuotteelle hyväksymiä varaosia, kulutusmateriaaleja ja lisävarusteita löydät **Hilti Store** -liikkeestä tai osoitteesta: www.hilti.group

7.2 Pölysuojuksen puhdistus

- ▶ Puhdista istukan pölysuojus säännöllisin välein puhtaalla, kuivalla kankaalla.
- ▶ Pyyhi tiivistehuuli varovasti puhtaaksi ja rasvaa se kevyesti **Hilti**-rasvalla.
- ▶ Pölysuojus on ehdottomasti vaihdettava, jos sen tiivistehuuli on vaurioitunut.

8 Kuljetus ja varastointi

8.1 Akkukäyttöisten työkalujen ja akkujen kuljetus ja varastointi

Kuljettaminen

VAROITUS

Käynnistyminen vahingossa kuljetuksen aikana !

- ▶ Kuljeta tuotteesi aina akku irrotettuna!
- ▶ Irrota akku/akut.
- ▶ Älä koskaan kuljeta akkuja irrallaan muiden tavaroiden joukossa. Akut on suojattava kuljetuksen ajaksi koviilta iskuiltä ja tärinäältä, ja ne on eristettävä kaikenlaisista sähköä johtavista materiaaleista ja muista akuista, jotta niiden navat eivät pääse kosketuksiin muiden akkujen napojen kanssa. Seurauksena saattaisi olla oikosulku. **Noudata maakohtaisia akkujen kuljetusmääräyksiä.**
- ▶ Akkuja ei saa koskaan lähettää postitse. Käänny kuljetusyrityksen puoleen, kun haluat lähettää vaurioittomia akkuja.
- ▶ Tarkasta tuotteen ja akun mahdolliset vauriot aina ennen käyttöä sekä ennen pitkää kuljetusta ja sen jälkeen.

Varastointi

VAARA

Viallinen tai vuotava akku voi aiheuttaa vaurioita !

- ▶ Varastoi tuotteesi aina akku irrotettuna!
- ▶ Varastoi tuote ja akut viileässä ja kuivassa paikassa. Ota teknisissä tiedoissa annetut lämpötilarajat huomioon.
- ▶ Akkuja ei saa säilyttää laturissa. Irrota akku laturista aina latauksen päätyttyä.
- ▶ Älä koskaan varastoi akkuja auringonpaisteessa, lämmönlähteen päällä tai ikkunan vieressä.
- ▶ Varastoi tuote ja akut lasten ja asiattomien henkilöiden ulottumattomissa.
- ▶ Tarkasta tuotteen ja akun mahdolliset vauriot aina ennen käyttöä sekä ennen pitkää varastointia ja sen jälkeen.

9 Apua häiriötilanteisiin

Häiriöissä, joita ei ole kuvattu tässä taulukossa tai joita et itse pysty poistamaan, ota yhteys **Hilti**-huoltoon.

9.1 Poravasara ei ole toimintakykyinen

Häiriö	Mahdollinen syy	Ratkaisu
Akun LED-merkkivalot eivät näytä mitään.	Akku ei kunnolla kiinni.	▶ Kiinnitä akku siten, että se lukittuu paikalleen kuultavasti kaksi kertaa naksauten.
	Akku tyhjentynyt.	▶ Vaihda akku ja lataa tyhjentynyt akku.
	Akku liian kuuma tai liian kylmä.	▶ Anna akun jäähtyä tai lämmitä huoneenlämpötilaan.



Häiriö	Mahdollinen syy	Ratkaisu
1 LED-merkkivalo akussa vilkkuu.	Akku tyhjentynyt.	► Vaihda akku ja lataa tyhjentynyt akku.
	Akku liian kuuma tai liian kylmä.	► Anna akun jäähtyä tai lämmitä huoneenlämpötilaan.
4 LED-merkkivaloa akussa vilkkuu.	Poravasara hetkellisesti ylikuormittunut.	► Vapauta käyttökytkin ja paina sitä uudelleen.

9.2 Poravasara on toimintakykyinen

Häiriö	Mahdollinen syy	Ratkaisu
Ei iskua.	Poravasara liian kylmä.	► Aseta poravasara pintaa vasten ja anna käydä joutokäyntiä. Tarvittaessa toista tämä, kunnes iskumekanismi toimii.
	Toimintatapavalitsin ilman iskua poraamisen asennossa  .	► Aseta toimintatapavalitsin iskulla poraamisen asentoon  T.
Käyttökytkintä ei saa painettua tai se on lukittunut.	Suunnanvaihtokytkin keskiasennossa.	► Paina suunnanvaihtokytkin vasemmalle tai oikealle.
Kara ei pyöri.	Poravasaran elektroniikan sallittu käyttölämpötila ylittynyt.	► Tarvittaessa anna koneen jäähtyä.
	Akku tyhjentynyt.	► Vaihda akku ja lataa tyhjentynyt akku.
	Toimintatapavalitsin ei ole lukittunut tai toimintatapavalitsin on piikkaamisen asennossa  T tai piikkausterän kohdistamisen asennossa  →.	► Aseta toimintatapavalitsin ilman iskua poraamisen asentoon  tai iskulla poraamisen asentoon  T.
Poravasara kytkeytyy automaattisesti pois päältä.	Ylikuormitussuoja laukeaa.	► Vapauta käyttökytkin. Anna poravasaran jäähtyä. Paina käyttökytkintä uudelleen. Kevennä koneen kuormittamista.
Akku tyhjenee tavallista nopeammin.	Erittäin alhainen ympäristön lämpötila.	► Anna akun hitaasti lämmitä huoneenlämpötilaan.
Akku ei lukitu paikalleen selvästi kaksi kertaa nakshtaen.	Akun salpanokat likaantuneet.	► Puhdista salpanokat ja kiinnitä akku uudelleen paikalleen.
Poravasara tai akku kuumeenee voimakkaasti.	Sähköinen vika	► Kytke poravasara heti pois päältä. Irrota akku ja tarkkaile sitä. Anna sen jäähtyä. Ota yhteys Hilti -huoltoon.
	Poravasara ylikuormittunut.	► Valitse tehokkaampi kone.
Työkaluterää ei saa vapautettua lukituksesta.	Istukkaa ei ole vedetty kunnolla taakse.	► Vedä työkaluterän lukitsin taaksepäin vasteeseen saakka ja irrota työkaluterä.
Työkaluterä ei poraa.	Poravasara kytketty pyörimään vasemmalle.	► Kytke suunnanvaihtokytkimellä pyörimissuunta oikealle.
	Toimintatapavalitsin ilman iskua poraamisen asennossa  .	► Aseta toimintatapavalitsin iskulla poraamisen asentoon  T.

10 Vaihtoehtoinen lisävaruste

10.1 Pölynkeräysrengas DCD

Pölynkeräysrengas DCD on **Hilti**-poravasaraan tarkoitettu lisävaruste. Se kerää ylöspäin tehtävissä töissä syntyvästä pölystä suurimman osan, ja se on nopea ja helppo kiinnittää poravasaraan.



10.2 Pölynpoistovarustus TE DRS-6-A / TE DRS-6-A OSHA


Pölynpoistovarustus TE DRS-6-A on Hilti-poravasaraan TE 6-A22 tarkoitettu lisävaruste. Se kerää syntyvästä pölystä suurimman osan, ja se on nopea ja helppo kiinnittää poravasaraan. Pölynpoistovarustuksessa on imevä tuuletin. Sitä käyttää erillinen moottori. Kun poravasara kytketään päälle, moduuli saa virtansa poravasaran akusta.

Tämä pölynpoistovarustus ei sovellu metallin ja puun työstössä käytettäväksi.

Edellytykset: TE DRS-6-A OSHA

TE DRS-6-A OSHA täyttää direktiivin OSHA 1926.1153 Table 1 vaatimukset. Siinä on varusteena suodattimen puhdistusmekanismi.

10.2.1 Pölynpoistovarustuksen kiinnitys


 Ennen kiinnittämistä varmista, että kiinnityskohdat ja sähköliitännät poravasaraissa ja pölynpoistovarustuksessa ovat pölyttömät ja herkkäliikkeiset.

1. Tarkasta pölynpoistovarustuksen mahdolliset vauriot.
2. Tarkasta teleskoopin kevytliikkeisyys.
3. Kytke poravasaran suunnanvaihtokytkin keskiasentoon.
4. Irrota syvyysrajoitin sivukahvasta.
5. Työnnä pölynpoistovarustus edestäpäin koneeseen siten, että se lukittuu.
6. Kiinnittämisen jälkeen varmista, että pölynpoistovarustus on kunnolla lukittunut paikalleen.

10.2.2 Poraaminen pölynpoistovarustusta käyttäen

1. Pölynpoistovarustuksen käynnistät painamalla poravasaran käyttöpainiketta.
2. Pidä käyttöpainike painettuna, kunnes täysi imuteho on saavutettu.
3. Aseta imupää kohtisuoraan alustaa vasten.
4. Poraat reiän ja vedä tuote hitaasti ulos porareistä, jotta pölyä imuroituu pois mahdollisimman paljon.

10.2.3 Pölyrasian tyhjennys


 Täysi pölyrasia tai tukkeutunut suodatin saattaa aiheuttaa pölyn liiallista leviämistä, joten tyhjennys on tehtävä säännöllisesti.

Tyhjennä pölyrasia aina 8-10 reiän (16 mm x 50 mm) (5/8 in x 2 in) poraamisen jälkeen.

Jotta pölyn leviäminen on mahdollisimman vähäistä, säilytä pöly suljetussa astiassa.

1. Pidä konetta vaakasuorassa ja käynnistä se hetkeksi.
 - ▶ Siten pölynpoistovarustukseen kertyneet pölyjäämät imeytyvät pölyrasiaan.
2. Paina pölyrasian lukituksen vapautuspainiketta ja pidä painettuna.
3. Vedä pölyrasia alaspäin irti pölynpoistovarustuksesta.
4. Tyhjennä pölyrasia.
 - ▶ Suodatin on likaantunut.
 - ▶ Vaihda suodatin.
 - ▶ Suodattimessa ei ole likaa.
5. Työnnä tyhjä pölyrasia alhaaltapäin pölynpoistovarustukseen siten, että rasia lukittuu paikalleen.

10.2.4 TE-DRS-OSHA-suodattimen puhdistus

 Puhdista suodatin 5 reiän (16 mm x 50 mm) (1/2 in x 3 in) poraamisen jälkeen.

- ▶ Kun imuteho laskee, paina puhdistusmekanismia kuuluvaan naksahdukseen saakka 5 kertaa edestakaisin.

10.2.5 Pölynpoistovarustuksen irrotus

1. Kytke poravasaran suunnanvaihtokytkin keskiasentoon.
2. Paina DRS:n lukituksen vapautinta ja pidä se painettuna.



3. Vedä pölynpoistovarustus eteenpäin irti koneesta.

11 Hävittäminen

VAARA

Määräystenvastaisten hävittäminen aiheuttaa loukkaantumisaavaan! Ulos tuotavat kaasut tai nesteet vaarantavat terveyden.

- ▶ Älä lähetä vaurioituneita akkuja!
- ▶ Peitä liitännät sähköä johtamattomalla materiaalilla oikosulkujen välttämiseksi.
- ▶ Hävitä akut siten, etteivät ne voi joutua lasten käsiin.
- ▶ Hävitä akku viemällä se **Hilti Store** -liikkeeseen tai käänny vastuullisen jätteenkäsittely-yrityksen puoleen.

Hilti-tuotteet on pääosin valmistettu kierrätyskelteisistä materiaaleista. Kierrätyksen edellytys on materiaalien asianmukainen lajittelu. Useissa maissa **Hilti** ottaa vanhat koneet ja laitteet vastaan kierrätystä ja hävitystä varten. Lisätietoja saat **Hilti**-huollosta tai -edustajalta.



- ▶ Älä hävitä sähkötyökaluja, elektronisia laitteita ja akkuja tavallisen sekajätteen mukana!

12 RoHS (vaarallisten aineiden käytön rajoittamisen direktiivi)

Vaarallisten aineiden taulukon löydät seuraavasta linkistä: qr.hilti.com/r4695.

Linkki RoHS-taulukkoon on tämän dokumentaation lopussa QR-koodina.

13 Valmistajan myöntämä takuu

- ▶ Jos sinulla on takuuehtoihin liittyviä kysymyksiä, ota yhteys paikalliseen **Hilti**-edustajaan.

Μετάφραση από τις πρωτότυπες οδηγίες χρήσης

1 Στοιχεία για τις οδηγίες χρήσης

1.1 Σχετικά με τις παρούσες οδηγίες χρήσης

- Πριν από την πρώτη θέση σε λειτουργία διαβάστε αυτές τις οδηγίες χρήσης. Αποτελεί προϋπόθεση για ασφαλή εργασία και απρόσκοπτο χειρισμό.
- Προσέξτε τις υποδείξεις ασφαλείας και προειδοποίησης στις παρούσες οδηγίες χρήσης και στο προϊόν.
- Φυλάξτε τις οδηγίες χρήσης πάντα στο προϊόν και δίνετε το προϊόν σε άλλα πρόσωπα μόνο μαζί με αυτές τις οδηγίες.

1.2 Επεξήγηση συμβόλων

1.2.1 Υποδείξεις προειδοποίησης

Οι υποδείξεις προειδοποίησης προειδοποιούν από κινδύνους κατά την εργασία με το προϊόν. Χρησιμοποιούνται οι ακόλουθες λέξεις επισήμανσης:

ΚΙΝΔΥΝΟΣ

ΚΙΝΔΥΝΟΣ !

- ▶ Για μια άμεσα επικίνδυνη κατάσταση, που οδηγεί σε σοβαρό ή θανατηφόρο τραυματισμό.

ΠΡΟΕΙΔΟΠΟΙΗΣΗ

ΠΡΟΕΙΔΟΠΟΙΗΣΗ !

- ▶ Για μια πιθανά επικίνδυνη κατάσταση, που μπορεί να οδηγήσει σε σοβαρό ή θανατηφόρο τραυματισμό.



ΠΡΟΣΟΧΗ

ΠΡΟΣΟΧΗ !

► Για μια πιθανόν επικίνδυνη κατάσταση, που ενδέχεται να οδηγήσει σε τραυματισμούς ή υλικές ζημιές.

1.2.2 Σύμβολα στις οδηγίες χρήσης

Στις παρούσες οδηγίες χρήσης χρησιμοποιούνται τα ακόλουθα σύμβολα:

	Προσέξτε τις οδηγίες χρήσης
	Υποδείξεις χρήσης και άλλες χρήσιμες πληροφορίες
	Χειρισμός ανακυκλώσιμων υλικών
	Μην πετάτε τα ηλεκτρικά εργαλεία και τις μπαταρίες στον κάδο οικιακών απορριμμάτων
	Hilti Επαναφορτιζόμενη μπαταρία Li-Ion
	Hilti Φορτιστής

1.2.3 Σύμβολα σε εικόνες

Στις εικόνες χρησιμοποιούνται τα ακόλουθα σύμβολα:

	Αυτοί οι αριθμοί παραπέμπουν στην εκάστοτε εικόνα στην αρχή αυτών των οδηγιών χρήσης.
	Η αρίθμηση στις εικόνες παραπέμπει σε σημαντικά βήματα εργασίας ή σε εξαρτήματα σημαντικά για τα βήματα εργασίας. Στο κείμενο επισημαίνονται αυτά τα βήματα εργασίας ή τα εξαρτήματα με αντίστοιχους αριθμούς, π.χ. (3) .
	Οι αριθμοί θέσης χρησιμοποιούνται στην εικόνα Επισκόπηση και παραπέμπουν στους αριθμούς του υπομνήματος στην ενότητα Συνοπτική παρουσίαση προϊόντος .
	Αυτό το σύμβολο έχει σκοπό να επιστήσει ιδιαίτερα την προσοχή σας κατά την εργασία με το προϊόν.

1.3 Σύμβολα ανάλογα με το προϊόν

1.3.1 Σύμβολα

Στο προϊόν μπορεί να χρησιμοποιούνται τα ακόλουθα σύμβολα:

	Διάτρηση χωρίς κρούση
	Διάτρηση με κρούση (κρουστική διάτρηση)
	Σμίλευση
	Ρύθμιση θέσης καλεμιού
	Δεξιόστροφη/αριστερόστροφη λειτουργία
	Ονομαστικός αριθμός στροφών χωρίς φορτίο
	Συνεχές ρεύμα
	Επαναφορτιζόμενη μπαταρία Li-Ion
	Σειρά τύπου επαναφορτιζόμενης μπαταρίας Li-Ion Hilti . Προσέξτε τα στοιχεία στο κεφάλαιο Κατάλληλη χρήση .
	Μην χρησιμοποιείτε την επαναφορτιζόμενη μπαταρία ποτέ ως κρουστικό εργαλείο.
	Μην αφήνετε την επαναφορτιζόμενη μπαταρία να πέσει κάτω. Μην χρησιμοποιείτε μια επαναφορτιζόμενη μπαταρία, η οποία έχει δεχτεί χτύπημα ή έχει υποστεί ζημιά με διαφορετικό τρόπο.





Το εργαλείο υποστηρίζει τεχνολογία NFC, που είναι συμβατή με πλατφόρμες iOS και Android.

1.4 Πληροφορίες προϊόντος

Τα προϊόντα της **HILTI** προορίζονται για τον επαγγελματία χρήστη και ο χειρισμός, η συντήρηση και η επισκευή τους επιτρέπεται μόνο από εξουσιοδοτημένο, ενημερωμένο προσωπικό. Το προσωπικό αυτό πρέπει να έχει ενημερωθεί ειδικά για τους κινδύνους που ενδέχεται να παρουσιαστούν. Από το προϊόν και τα βοηθητικά του μέσα ενδέχεται να προκληθούν κίνδυνοι, όταν ο χειρισμός τους γίνεται με ακατάλληλο τρόπο από μη εκπαιδευμένο προσωπικό ή όταν δεν χρησιμοποιούνται με κατάλληλο τρόπο.

Η περιγραφή τύπου και ο αριθμός σειράς αναγράφονται στην πινακίδα τύπου.

- ▶ Αντιγράψτε τον αριθμό σειράς στον ακόλουθο πίνακα. Θα χρειαστείτε τα στοιχεία προϊόντος για ερωτήματα προς την αντιπροσωπεία μας ή το σέρβις μας.

Στοιχεία προϊόντος

Κρουστικό δράπανο	TE 6-A22
Γενιά	04
Αρ. σειράς	

1.5 Δήλωση συμμόρφωσης

Δηλώνουμε ως μόνοι υπεύθυνοι, ότι το προϊόν που περιγράφεται εδώ συμφωνεί με τις ισχύουσες οδηγίες και τα ισχύοντα πρότυπα. Ένα αντίγραφο της δήλωσης συμμόρφωσης υπάρχει στο τέλος αυτής της τεκμηρίωσης. Τα έγγραφα τεχνικής τεκμηρίωσης υπάρχουν εδώ:

Hilti Entwicklungsgesellschaft mbH | Zulassung Geräte | Hiltistraße 6 | 86916 Kaufering, DE

2 Ασφάλεια

2.1 Γενικές υποδείξεις για την ασφάλεια για ηλεκτρικά εργαλεία

⚠ ΠΡΟΕΙΔΟΠΟΙΗΣΗ Διαβάστε όλες τις υποδείξεις ασφαλείας, τις οδηγίες, τις εικόνες και τα τεχνικά χαρακτηριστικά τα οποία υπάρχουν σε αυτό το ηλεκτρικό εργαλείο. Η παράβλεψη των ακόλουθων οδηγιών μπορεί να προκαλέσει ηλεκτροπληξία, πυρκαγιά και/ή σοβαρούς τραυματισμούς.

Φυλάξτε όλες τις υποδείξεις για την ασφάλεια και τις οδηγίες για μελλοντική χρήση.

Ο όρος "ηλεκτρικό εργαλείο" που χρησιμοποιείται στις υποδείξεις για την ασφάλεια αναφέρεται σε ηλεκτρικά εργαλεία που λειτουργούν συνδεδεμένα τα στο ηλεκτρικό δίκτυο (με καλώδιο τροφοδοσίας) και σε ηλεκτρικά εργαλεία που λειτουργούν με επαναφορτιζόμενες μπαταρίες (χωρίς καλώδιο τροφοδοσίας).

Ασφάλεια χώρου εργασίας

- ▶ Διατηρείτε το χώρο εργασίας σας καθαρό και με καλό φωτισμό. Η αταξία στο χώρο εργασίας και οι μη φωτισμένες περιοχές μπορεί να οδηγήσουν σε ατυχήματα.
- ▶ Μην εργάζεστε με το ηλεκτρικό εργαλείο σε περιβάλλον επικίνδυνο για εκρήξεις, στο οποίο υπάρχουν εύφλεκτα υγρά, αέρια ή σκόνη. Από τα ηλεκτρικά εργαλεία δημιουργούνται σπινθήρες, οι οποίοι μπορεί να αναφλέξουν τη σκόνη ή τις αναθυμιάσεις.
- ▶ Κατά τη χρήση του ηλεκτρικού εργαλείου κρατάτε μακριά τα παιδιά και άλλα πρόσωπα. Εάν σας αποσπάσουν την προσοχή, μπορεί να χάσετε τον έλεγχο του εργαλείου.

Ηλεκτρική ασφάλεια

- ▶ Το φως σύνδεσης του ηλεκτρικού εργαλείου πρέπει να ταιριάζει στην πρίζα. Δεν επιτρέπεται σε καμία περίπτωση η μετατροπή του φως. Μην χρησιμοποιείτε αντάπτορες φως μαζί με γειωμένα ηλεκτρικά εργαλεία. Τα φως που δεν έχουν υποστεί μετατροπές και οι κατάλληλες πρίζες μειώνουν τον κίνδυνο ηλεκτροπληξίας.
- ▶ Αποφεύγετε την επαφή του σώματος με γειωμένες επιφάνειες, όπως σωλήνες, καλοριφέρ, ηλεκτρικές κουζίνες και ψυγεία. Υπάρχει αυξημένος κίνδυνος ηλεκτροπληξίας, όταν το σώμα σας είναι γειωμένο.
- ▶ Μην εκθέτετε τα ηλεκτρικά εργαλεία σε βροχή ή σε υγρασία. Η εισχώρηση νερού στο ηλεκτρικό εργαλείο αυξάνει τον κίνδυνο ηλεκτροπληξίας.
- ▶ Μην χρησιμοποιείτε το καλώδιο σύνδεσης για να μεταφέρετε ή να αναρτήσετε το ηλεκτρικό εργαλείο ή για να τραβήξετε το φως από την πρίζα. Κρατάτε το καλώδιο σύνδεσης μακριά από υψηλές θερμοκρασίες, λάδια, αιχμηρές ακμές ή κινούμενα μέρη. Τα ελαττωματικά ή τα περιστραμμένα καλώδια σύνδεσης αυξάνουν τον κίνδυνο ηλεκτροπληξίας.



- ▶ **Όταν εργάζεστε με το ηλεκτρικό εργαλείο σε υπαίθριους χώρους, χρησιμοποιείτε μόνο καλώδια προέκτασης (μπαλαντζές), που είναι κατάλληλα για χρήση σε εξωτερικούς χώρους. Η χρήση ενός καλώδιου προέκτασης κατάλληλου για χρήση σε υπαίθριους χώρους μειώνει τον κίνδυνο ηλεκτροπληξίας.**
- ▶ **Εάν δεν μπορεί να αποφευχθεί η λειτουργία του ηλεκτρικού εργαλείου σε περιβάλλον με υγρασία, χρησιμοποιήστε αυτόματο ρελέ. Η χρήση ενός αυτόματου ρελέ μειώνει τον κίνδυνο ηλεκτροπληξίας.**

Ασφάλεια προσώπων

- ▶ **Να είσατε πάντα προσεκτικοί, να προσέχετε τι κάνετε και να εργάζεστε με το ηλεκτρικό εργαλείο με προσοχή. Μην χρησιμοποιείτε ηλεκτρικά εργαλεία, όταν είστε κουρασμένοι ή όταν βρίσκεστε υπό την επήρεια ναρκωτικών ουσιών, οινοπνεύματος ή φαρμάκων. Μια στιγμή απροσεξίας κατά τη χρήση του ηλεκτρικού εργαλείου μπορεί να οδηγήσει σε σοβαρούς τραυματισμούς.**
- ▶ **Φοράτε προσωπικό εξοπλισμό προστασίας και πάντα προστατευτικά γυαλιά.** Φορώντας προσωπικό εξοπλισμό προστασίας, όπως μάσκα προστασίας από τη σκόνη, αντιολισθητικά υποδήματα ασφαλείας, προστατευτικό κράνος ή ωτοασπίδες, ανάλογα με το είδος και τη χρήση του ηλεκτρικού εργαλείου, μειώνεται ο κίνδυνος τραυματισμών.
- ▶ **Αποφύγετε την ακούσια θέση σε λειτουργία του εργαλείου. Βεβαιωθείτε ότι είναι απενεργοποιημένο το ηλεκτρικό εργαλείο, πριν το συνδέσετε στην παροχή ρεύματος και/ή πριν τοποθετήσετε την μπαταρία και πριν το μεταφέρετε.** Εάν μεταφέροντας το ηλεκτρικό εργαλείο έχετε το δάκτυλό σας στον διακόπτη ή συνδέσετε το εργαλείο στο ρεύμα ενώ ο διακόπτης είναι στο ΟΝ, μπορεί να προκληθούν ατυχήματα.
- ▶ **Απομακρύνετε τα εργαλεία ρύθμισης ή τα κλειδιά από το ηλεκτρικό εργαλείο, πριν το θέσετε σε λειτουργία.** Ένα εργαλείο ή κλειδί που βρίσκεται σε κάποιο περιστρεφόμενο εξάρτημα του ηλεκτρικού εργαλείου, μπορεί να προκαλέσει τραυματισμούς.
- ▶ **Αποφύγετε τις αφύσικες στάσεις του σώματος. Φροντίστε για την ασφαλή στήριξη του σώματός σας και διατηρείτε πάντα την ισορροπία σας.** Έτσι μπορείτε να ελέγχετε καλύτερα το ηλεκτρικό εργαλείο σε μη αναμενόμενες καταστάσεις.
- ▶ **Φοράτε κατάλληλα ρούχα. Μην φοράτε φαρδιά ρούχα ή κοσμήματα. Κρατάτε τα μαλλιά, τα ρούχα και τα γάντια μακριά από περιστρεφόμενα εξαρτήματα.** Τα φαρδιά ρούχα, τα κοσμήματα ή τα μακριά μαλλιά μπορεί να παγιδευτούν από περιστρεφόμενα εξαρτήματα.
- ▶ **Εάν υπάρχει η δυνατότητα σύνδεσης συστημάτων αναρρόφησης και συλλογής σκόνης, βεβαιωθείτε ότι είναι συνδεδεμένα και ότι χρησιμοποιούνται σωστά.** Η χρήση συστήματος αναρρόφησης σκόνης μπορεί να μειώσει τους κινδύνους που προέρχονται από τη σκόνη.
- ▶ **Μην εκτιμάτε λάθος την ασφάλεια και μην παραβλέπετε τους κανόνες ασφαλείας για ηλεκτρικά εργαλεία, ακόμη και όταν, μετά από πολλές χρήσεις, έχετε εξοικειωθεί με το ηλεκτρικό εργαλείο.** Από απρόσπεκτες ενέργειες μπορούν να προκληθούν σοβαροί τραυματισμοί εντός κλάσματος δευτερολέπτου.

Χρήση και αντιμετώπιση του ηλεκτρικού εργαλείου

- ▶ **Μην υπερφορτίζετε το εργαλείο. Χρησιμοποιείτε για την εργασία σας το ηλεκτρικό εργαλείο που προορίζεται για αυτήν.** Με το κατάλληλο ηλεκτρικό εργαλείο εργάζεστε καλύτερα και με μεγαλύτερη ασφάλεια στην αναφερόμενη περιοχή ισχύος.
- ▶ **Μην χρησιμοποιείτε ποτέ ένα ηλεκτρικό εργαλείο, ο διακόπτης του οποίου είναι χαλασμένος.** Ένα ηλεκτρικό εργαλείο το οποίο δεν μπορεί να θεθεί πλέον σε λειτουργία ή εκτός λειτουργίας είναι επικίνδυνο και πρέπει να επισκευαστεί.
- ▶ **Αποσυνδέστε το φικ από την πρίζα και/ή απομακρύνετε μια αποσπώμενη μπαταρία πριν διεξάγετε ρυθμίσεις στο εργαλείο, αντικαταστήσετε κάποιο αξεσουάρ ή αποθηκεύσετε το εργαλείο.** Αυτό το προληπτικό μέτρο ασφαλείας αποτρέπει την ακούσια εκκίνηση του ηλεκτρικού εργαλείου.
- ▶ **Φυλάτε τα ηλεκτρικά εργαλεία που δεν χρησιμοποιείτε μακριά από παιδιά. Μην αφήνετε να χρησιμοποιήσουν το εργαλείο άτομα που δεν είναι εξοικειωμένα με αυτό ή που δεν έχουν διαβάσει αυτές τις οδηγίες χρήσης.** Τα ηλεκτρικά εργαλεία είναι επικίνδυνα, όταν χρησιμοποιούνται από άπειρα πρόσωπα.
- ▶ **Φροντίστε σχολαστικά τα ηλεκτρικά εργαλεία και τα αξεσουάρ. Ελέγχετε, εάν τα κινούμενα μέρη λειτουργούν άψογα και δεν μπλοκάρουν, εάν έχουν σπάσει κάποια εξαρτήματα ή έχουν υποστεί τέτοια ζημιά ώστε να επηρεάζεται αρνητικά η λειτουργία του ηλεκτρικού εργαλείου. Δώστε τα χαλασμένα εξαρτήματα για επισκευή πριν χρησιμοποιήσετε ξανά το εργαλείο.** Πολλά ατυχήματα οφείλονται σε κακά συντηρημένα ηλεκτρικά εργαλεία.
- ▶ **Διατηρείτε τα εξαρτήματα κοπής αιχμηρά και καθαρά.** Τα σχολαστικά συντηρημένα εξαρτήματα κοπής με αιχμηρές ακμές κολλάνε σπανιότερα και καθοδηγούνται με μεγαλύτερη ευκολία.
- ▶ **Χρησιμοποιείτε το ηλεκτρικό εργαλείο, τα αξεσουάρ, τα εργαλεία ρύθμισης κτλ. σύμφωνα με τις παρούσες οδηγίες. Λαμβάνετε ταυτόχρονα υπόψη τις συνθήκες εργασίας και την προς εκτέλεση εργασία.** Η χρήση ηλεκτρικών εργαλείων για εργασίες διαφορετικές από τις προβλεπόμενες μπορεί να οδηγήσει σε επικίνδυνες καταστάσεις.



- ▶ Διατηρείτε τις λαβές και επιφάνειες συγκράτησης στεγνές, καθαρές και απαλλαγμένες από λάδια και γράσα. Οι ολισθηρές λαβές και επιφάνειες συγκράτησης δεν επιτρέπουν ασφαλή χειρισμό και έλεγχο του ηλεκτρικού εργαλείου σε απρόβλεπτες καταστάσεις.

Χρήση και αντιμετώπιση του επαναφορτιζόμενου εργαλείου

- ▶ **Φορτίζετε τις μπαταρίες μόνο με φορτιστές που προτείνονται από τον κατασκευαστή.** Υπάρχει κίνδυνος πυρκαγιάς σε φορτιστές που είναι κατάλληλοι για ένα συγκεκριμένο είδος μπαταριών, όταν χρησιμοποιούνται με άλλες μπαταρίες.
- ▶ Χρησιμοποιείτε μόνο τις προβλεπόμενες για τα ηλεκτρικά εργαλεία επαναφορτιζόμενες μπαταρίες. Η χρήση άλλων μπαταριών μπορεί να προκαλέσει τραυματισμούς και κίνδυνο πυρκαγιάς.
- ▶ Κρατήστε τις μπαταρίες που δεν χρησιμοποιείτε μακριά από συνδετήρες, κέρματα, κλειδιά, καρφιά, βίδες και άλλα μεταλλικά μικροαντικείμενα, που θα μπορούσαν να προκαλέσουν γεφύρωση των επαφών. Ένα βραχυκύκλωμα μεταξύ των επαφών της μπαταρίας μπορεί να έχει ως συνέπεια εγκαύματα ή πυρκαγιά.
- ▶ Σε περίπτωση λανθασμένης χρήσης μπορούν να διαρρεύσουν υγρά από την μπαταρία. Αποφεύγετε κάθε είδους επαφή. Σε περίπτωση ακούσιας επαφής, ξεπλύνετε με νερό. Εάν τα υγρά έρθουν σε επαφή με τα μάτια σας, επισκεφθείτε επείγουσα ένα γιατρό. Τα υγρά της μπαταρίας ενδέχεται να προκαλέσουν ερεθισμούς ή εγκαύματα στο δέρμα.
- ▶ Μην χρησιμοποιείτε μπαταρίες που έχουν υποστεί ζημιά ή έχουν υποστεί μετατροπές. Οι μπαταρίες που έχουν υποστεί ζημιά ή μετατροπές μπορεί να συμπεριφερθούν απρόβλεπτα και να προκαλέσουν φωτιά, έκρηξη ή κίνδυνο τραυματισμού.
- ▶ Μην εκθέτετε την μπαταρία σε φωτιά ή σε πολύ υψηλές θερμοκρασίες. Η φωτιά ή οι θερμοκρασίες άνω των 130 °C (265 °F) μπορεί να προκαλέσει έκρηξη.
- ▶ Ακολουθήστε όλες τις οδηγίες για τη φόρτιση και μην φορτίζετε την μπαταρία ή το επαναφορτιζόμενο εργαλείο ποτέ εκτός του εύρους θερμοκρασιών που αναφέρεται στο παρόν εγχειρίδιο οδηγιών χρήσης. Η λανθασμένη φόρτιση ή η φόρτιση εκτός του επιτρεπόμενου εύρους θερμοκρασίας μπορεί να καταστρέψει την μπαταρία και να αυξήσει τον κίνδυνο πυρκαγιάς.

Σέρβις

- ▶ Αναθέτετε την επισκευή του ηλεκτρικού εργαλείου μόνο σε κατάλληλο εξειδικευμένο προσωπικό με χρήση μόνο γνήσιων ανταλλακτικών. Με αυτόν τον τρόπο διασφαλίζεται ότι θα διατηρηθεί η ασφάλεια του εργαλείου.
- ▶ Μην συντηρείτε ποτέ μπαταρίες που έχουν υποστεί ζημιά. Κάθε συντήρηση μπαταριών θα πρέπει να πραγματοποιείται μόνο από τον κατασκευαστή ή από εξουσιοδοτημένα σέρβις.

2.2 Υποδείξεις ασφαλείας για δράπανα

Υποδείξεις ασφαλείας για όλες τις εργασίες

- ▶ Φοράτε **ωτοασπίδες**. Η επίδραση του θορύβου μπορεί να προκαλέσει απώλεια ακοής.
- ▶ Χρησιμοποιείτε τις πρόσθετες χειρολαβές που παραλάβατε μαζί με το εργαλείο. Η απώλεια του ελέγχου μπορεί να προκαλέσει τραυματισμούς.
- ▶ Κρατάτε το εργαλείο από τις μονωμένες επιφάνειες συγκράτησης, όταν εκτελείτε εργασίες κατά τις οποίες το ηλεκτρικό εργαλείο ενδέχεται να έρθει σε επαφή με καλυμμένα ηλεκτρικά καλώδια. Η επαφή με καλώδιο που βρίσκεται υπό τάση μπορεί να θέσει υπό τάση ακόμη και τα μεταλλικά μέρη του εργαλείου και να προκαλέσει ηλεκτροπληξία.

Υποδείξεις ασφαλείας σε περίπτωση χρήσης τρυπανιών μεγάλου μήκους

- ▶ Αρχίστε τη διαδικασία διάτρησης πάντα με χαμηλό αριθμό στροφών και ενώ το τρυπάνι είναι σε επαφή με το κατεργαζόμενο αντικείμενο. Σε υψηλότερους αριθμούς στροφών μπορεί να λυγίσει ελαφρώς το τρυπάνι, όταν μπορεί να περιστραφεί ελεύθερα χωρίς επαφή με το κατεργαζόμενο αντικείμενο και να προκληθούν τραυματισμοί.
- ▶ Μην ασκείτε υπερβολική πίεση και μόνο σε διαμήκη κατεύθυνση προς το τρυπάνι. Τα τρυπάνια μπορούν να λυγίσουν και επομένως να σπάσουν ή να προκαλέσουν απώλεια του ελέγχου και τραυματισμούς.

2.3 Πρόσθετες υποδείξεις για την ασφάλεια - Πιστολέτο

Ασφάλεια προσώπων

- ▶ Χρησιμοποιείτε το προϊόν και τα αξεσουάρ μόνο σε τεχνικά άφογη κατάσταση.
- ▶ Μην πραγματοποιείτε ποτέ παραποιήσεις ή μετατροπές στο προϊόν ή σε αξεσουάρ.
- ▶ Χρησιμοποιείτε τις πρόσθετες χειρολαβές που παραλάβατε μαζί με το προϊόν. Η απώλεια του ελέγχου μπορεί να προκαλέσει τραυματισμούς.



- ▶ Στις εργασίες διαμπερούς διάτρησης απομονώστε την περιοχή που βρίσκεται πίσω από το σημείο που εργάζεστε. Μπορεί να πέσουν κομμάτια και να τραυματίσουν άλλα άτομα.
- ▶ Συγκρατείτε το προϊόν πάντα και με τα δύο χέρια από τις προβλεπόμενες χειρολαβές. Διατηρείτε τις χειρολαβές στεγνές και καθαρές.
- ▶ Κρατάτε το προϊόν από τις μονωμένες επιφάνειες συγκράτησης, όταν εκτελείτε εργασίες κατά τις οποίες το ηλεκτρικό εργαλείο ενδέχεται να έρθει σε επαφή με καλυμμένα ηλεκτρικά καλώδια. Η επαφή με καλώδιο που βρίσκεται υπό τάση μπορεί να θέσει υπό τάση ακόμη και τα μεταλλικά μέρη του εργαλείου και να προκαλέσει ηλεκτροπληξία.
- ▶ Αποφύγετε να ακουμπάτε περιστρεφόμενα εξαρτήματα - Κίνδυνος τραυματισμού!
- ▶ Φοράτε κατά τη χρήση του προϊόντος γυαλιά, προστατευτικό κράνος, ωτοασπίδες και κατάλληλη μάσκα προστασίας της αναπνοής.
- ▶ Φοράτε προστατευτικά γάντια κατά την αντικατάσταση εξαρτημάτων. Η επαφή με το εξάρτημα μπορεί να προκαλέσει τραυματισμό από κοπή και εγκαύματα.
- ▶ Χρησιμοποιείτε προστατευτικά γυαλιά. Τα θραύσματα του υλικού μπορεί να προκαλέσουν τραυματισμούς στο σώμα και στα μάτια.
- ▶ Η σκόνη, η οποία σχηματίζεται κατά τη λείανση, το γυαλοχαρτάρισμα, την κοπή και τη διάτρηση ενδέχεται να περιέχει επικίνδυνες χημικές ουσίες. Ορισμένα παραδείγματα είναι: Μόλυβδος ή χρώματα με βάση μόλυβδο, Τούβλα, μπετόν και άλλα προϊόντα τοιχοποιίας, φυσικές πέτρες και άλλα προϊόντα που περιέχουν πυρίτιο, Συγκεκριμένα ξύλα, όπως δρυς, οξιά και χημικά επεξεργασμένα ξύλα, Αμιάντος ή υλικά που περιέχουν αμίαντο. Προσδιορίστε την έκθεση του χειριστή και των παρακείμενων προσώπων από την κατηγορία κινδύνου των υλικών, με τα οποία εργάζεστε. Λάβετε τα αναγκαία μέτρα για τη διατήρηση της έκθεσης σε ένα ασφαλές επίπεδο, όπως π.χ. χρησιμοποιώντας ένα σύστημα συλλογής σκόνης ή μια κατάλληλη μάσκα προστασίας της αναπνοής. Στα γενικά μέτρα για τη μείωση της έκθεσης ανήκουν τα εξής:
 - ▶ Εργασία σε μια περιοχή με καλό αερισμό,
 - ▶ Αποφυγή παρατεταμένης επαφής με σκόνη,
 - ▶ Καθοδήγηση σκόνης μακριά από το πρόσωπο και το σώμα,
 - ▶ Χρήση προστατευτικής ένδυσης και πλύσιμο των εκτεθειμένων περιοχών με νερό και σαπούνι.
- ▶ Κάνετε συχνά διαλείμματα και ασκήσεις για καλύτερη αιμάτωση των δακτύλων σας. Σε παρατεταμένη εργασία ενδέχεται να προκληθούν από έντονους κραδασμούς προβλήματα σε αιμοφόρα αγγεία ή στο νευρικό σύστημα στα δάχτυλα, στα χέρια ή στις αρθρώσεις των χεριών.

Ηλεκτρική ασφάλεια

- ▶ Ελέγξτε την περιοχή εργασίας πριν από την έναρξη της εργασίας για καλυμμένα ηλεκτρικά καλώδια, σωληνές αερίου και ύδρευσης. Από εξωτερικά μεταλλικά μέρη στο προϊόν μπορεί να προκληθεί ηλεκτροπληξία, ή έκρηξη, εάν κατά λάθος προκαλέσετε ζημιά σε ηλεκτρικό καλώδιο, σε σωλήνα αερίου ή σωλήνα νερού.

Επιμελής χειρισμός και χρήση ηλεκτρικών εργαλείων

- ▶ Απενεργοποιήστε αμέσως το προϊόν, όταν το εξάρτημα κολλήσει. Το προϊόν μπορεί να εκτραπεί προς το πλάι.
- ▶ Περιμένετε μέχρι να σταματήσει το προϊόν, πριν το αποθέσετε.

2.4 Υποδείξεις για την ασφάλεια για μονάδα αναρρόφησης σκόνης

- ▶ Προσέξτε όλες τις υποδείξεις ασφαλείας στην παρούσα τεκμηρίωση και στο εργαλείο.
- ▶ Χρησιμοποιείτε μάσκα, η οποία κρατάει μακριά από το πρόσωπο και τις αναπνευστικές οδούς την υπολειπόμενη σκόνη κατά τη διάτρηση και στις εργασίες συντήρησης.
- ▶ Χρησιμοποιείτε ακόμη με τοποθετημένη τη μονάδα αναρρόφησης σκόνης πάντα την πλαϊνή χειρολαβή του κρουστικού δράπανου **Hilti**.

2.5 Επιμελής χειρισμός και χρήση επαναφορτιζόμενων μπαταριών

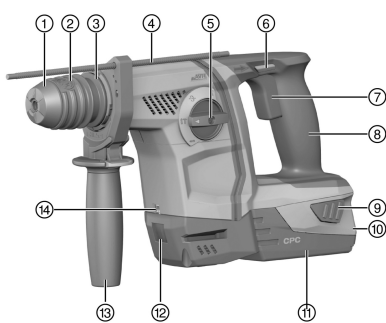
- ▶ Προσέξτε τις ειδικές οδηγίες για τη μεταφορά, την αποθήκευση και τη λειτουργία των επαναφορτιζόμενων μπαταριών Li-Ion.
- ▶ Κρατάτε τις επαναφορτιζόμενες μπαταρίες μακριά από υψηλές θερμοκρασίες, άμεση ηλιακή ακτινοβολία και φωτιά.
- ▶ Δεν επιτρέπεται να αποσυναρμολογείτε, να συμπιέζετε, να θερμαίνετε πάνω από τους 80°C (176°F) ή να καίτε τις επαναφορτιζόμενες μπαταρίες.
- ▶ Μην χρησιμοποιείτε και μην φορτίζετε επαναφορτιζόμενες μπαταρίες, που έχουν χτυπηθεί, έχουν πέσει από ύψος μεγαλύτερο του ενός μέτρου ή έχουν υποστεί άλλο είδους ζημιά. Επικοινωνείτε σε αυτή την περίπτωση πάντα με το **σέρβις** της **Hilti**.



- ▶ Εάν η μπαταρία καίει υπερβολικά όταν την ακουμπάτε, ενδέχεται να έχει υποστεί ζημιά. Τοποθετήστε την μπαταρία σε ένα σημείο στο οποίο έχετε ορατότητα, μη εύφλεκτο και με επαρκή απόσταση από εύφλεκτα υλικά. Αφήστε την επαναφορτιζόμενη μπαταρία να κρυώσει. Εάν η μπαταρία εξακολουθεί να καίει υπερβολικά μετά από μία ώρα όταν την ακουμπάτε, τότε έχει υποστεί ζημιά. Επικοινωνήστε με το σέρβις της Hilti.

3 Περιγραφή

3.1 Συνοπτική παρουσίαση προϊόντος



- ① Προφυλακτήρας σκόνης
- ② Τσοκ
- ③ Απασφάλιση εξαρτημάτων
- ④ Οδηγός βάθους διάτρησης
- ⑤ Διακόπτης επιλογής λειτουργίας
- ⑥ Διακόπτης εναλλαγής δεξιόστροφης/αριστερόστροφης λειτουργίας με κλειδίωμα
- ⑦ Διακόπτης ελέγχου
- ⑧ Χειρολαβή
- ⑨ Κουμπιά απασφάλισης για επαναφορτιζόμενη μπαταρία
- ⑩ Ένδειξη κατάστασης φόρτισης και βλαβών (επαναφορτιζόμενη μπαταρία Li-Ion)
- ⑪ Επαναφορτιζόμενη μπαταρία
- ⑫ Σύνδεση για μονάδα αναρρόφησης σκόνης TE DRS-6-A(02)
- ⑬ Πλαϊνή χειρολαβή
- ⑭ Φωτισμός χώρου εργασίας

3.2 Κατάλληλη χρήση

Το περιγραφόμενο προϊόν είναι ένα επαναφορτιζόμενο κρουστικό δράπανο. Προορίζεται για διάτρηση σε μετόν και τοιχοποιία, για διάτρηση σε χάλυβα, ξύλο και τοιχοποιία και για βίδωμα και ξεβίδωμα βιδών. Το προϊόν μπορεί να χρησιμοποιηθεί επιπρόσθετα για απλές εργασίες σμίλευσης σε τοιχοποιίες και εργασίες βελτίωσης σε μετόν.

- ▶ Χρησιμοποιείτε για αυτό το προϊόν μόνο τις επαναφορτιζόμενες μπαταρίες Li-Ion της Hilti της σειράς τύπου B 22.
- ▶ Χρησιμοποιείτε για αυτό το προϊόν μόνο τις επαναφορτιζόμενες μπαταρίες Li-Ion της Hilti της σειράς B22.

3.3 Ένδειξη επαναφορτιζόμενης μπαταρίας Li-Ion

Η κατάσταση φόρτισης της επαναφορτιζόμενης μπαταρίας Li-Ion και οι βλάβες του εργαλείου υποδηλώνονται με την ένδειξη της επαναφορτιζόμενης μπαταρίας Li-Ion. Η κατάσταση φόρτισης της επαναφορτιζόμενης μπαταρίας Li-Ion εμφανίζεται πατώντας κάποιο από τα δύο πλήκτρα απασφάλισης μπαταρίας.

Κατάσταση	Σημασία
4 LED αναμμένα.	Κατάσταση φόρτισης: 75 % έως 100%
3 LED αναμμένα.	Κατάσταση φόρτισης: 50 % έως 75%
2 LED αναμμένα.	Κατάσταση φόρτισης: 25 % έως 50%
1 LED αναμμένο.	Κατάσταση φόρτισης: 10 % έως 25%
1 LED αναβοσβήνει.	Κατάσταση φόρτισης: < 10 %

- Όταν είναι πατημένος ο διακόπτης ελέγχου και έως και 5 δευτερόλεπτα αφού αφήσετε τον διακόπτη ελέγχου δεν είναι δυνατή η εμφάνιση της κατάστασης φόρτισης. Όταν αναβοσβήνουν τα LED της ένδειξης της μπαταρίας, προσέξτε τις υποδείξεις στο κεφάλαιο Βοήθεια για προβλήματα.



3.4 Εκταση παράδοσης

Κρουστικό δράπανο, πλαϊνή χειρολαβή, οδηγός βάθους, οδηγίες χρήσης.

Περισσότερα, εγκεκριμένα για το προϊόν σας συστήματα θα βρείτε στο **Hilti Store** ή στη διεύθυνση: www.hilti.group

4 Τεχνικά χαρακτηριστικά

4.1 Κρουστικό δράπανο

	TE 6-A22
Όνομαστική τάση	21,6 V
Βάρος κατά EPTA Procedure 01 συμπερ. επαναφορτιζόμενης μπαταρίας B228.0	3,8 kg
Όνομαστικός αριθμός στροφών χωρίς φορτίο	1.050/min
Περιοχή διάτρησης σε μπετόν/τοιχο (κρουστική διάτρηση)	4 mm ... 28 mm
Περιοχή διάτρησης σε ξύλο (μασίφ τρυπάνι)	3 mm ... 20 mm
Περιοχή διάτρησης σε μέταλλο (μασίφ τρυπάνι)	3 mm ... 13 mm

4.2 Πληροφορίες θορύβου και τιμές κραδασμών κατά EN 62841

Οι αναφερόμενες στις παρούσες οδηγίες τιμές ηχητικής πίεσης και κραδασμών έχουν μετρηθεί σύμφωνα με μια τυποποιημένη μέθοδο μέτρησης και μπορούν να χρησιμοποιηθούν για τη σύγκριση μεταξύ ηλεκτρικών εργαλείων. Είναι επίσης κατάλληλες για πρόχειρη εκτίμηση των εκθέσεων.

Τα αναφερόμενα στοιχεία αντιπροσωπεύουν τις κύριες εφαρμογές του ηλεκτρικού εργαλείου. Εάν ωστόσο το ηλεκτρικό εργαλείο χρησιμοποιηθεί σε άλλες εφαρμογές, με διαφορετικά εξαρτήματα ή με ελλιπή συντήρηση, ενδέχεται να διαφέρουν τα στοιχεία. Το γεγονός αυτό μπορεί να αυξήσει σημαντικά τις εκθέσεις σε όλη τη διάρκεια του χρόνου εργασίας.

Για μια ακριβή εκτίμηση της έκθεσης θα πρέπει να συνυπολογίζονται και οι χρόνοι, στους οποίους είναι απενεργοποιημένο το ηλεκτρικό εργαλείο ή λειτουργεί μεν, αλλά δεν χρησιμοποιείται πραγματικά. Το γεγονός αυτό μπορεί να μειώσει σημαντικά τις εκθέσεις σε όλη τη διάρκεια του χρόνου εργασίας.

Καθορίστε πρόσθετα μέτρα ασφαλείας για την προστασία του χρήστη από την επίδραση του θορύβου και/ή των κραδασμών, όπως για παράδειγμα: Συντήρηση ηλεκτρικού εργαλείου και εξαρτημάτων, διατήρηση χειριών σε κανονική θερμοκρασία, οργάνωση των σταδίων εργασίας.

Πληροφορίες θορύβου

Επίπεδο στάθμης ήχου (L_{WA})	100 dB(A)
Επίπεδο ηχητικής πίεσης (L_{pA})	89 dB(A)
Ανακρίβεια (τιμές θορύβου) (K_{pA} και K_{WA})	3 dB(A)

Συνολικές τιμές κραδασμών

		TE 6-A22
Κρουστική διάτρηση σε μπετόν ($a_{h, HD}$)	B 22/2.6 Li-Ion (02)	19,9 m/s ²
	B 22/8.0 Li-Ion	17,1 m/s ²
Ανακρίβεια κρουστικής διάτρησης σε μπετόν	B 22/2.6 Li-Ion (02)	2,1 m/s ²
	B 22/8.0 Li-Ion	1,5 m/s ²
Σμίλευση ($a_{h, Cheq}$)	B 22/2.6 Li-Ion (02)	10,9 m/s ²
	B 22/8.0 Li-Ion	12,1 m/s ²
Ανακρίβεια σμίλευσης	B 22/2.6 Li-Ion (02)	1,5 m/s ²
	B 22/8.0 Li-Ion	1,5 m/s ²

4.3 Επαναφορτιζόμενη μπαταρία

Τάση λειτουργίας επαναφορτιζόμενης μπαταρίας	21,6 V
Θερμοκρασία περιβάλλοντος κατά τη λειτουργία	-17 °C ... 60 °C



Θερμοκρασία αποθήκευσης	-20 °C ... 40 °C
Θερμοκρασία μπαταρίας στην έναρξη φόρτισης	-10 °C ... 45 °C

5 Χειρισμός

5.1 Προετοιμασία εργασίας

ΠΡΟΕΙΔΟΠΟΙΗΣΗ

Κίνδυνος τραυματισμού από ακούσια έναρξη λειτουργίας!

- ▶ Βεβαιωθείτε ότι το σχετικό προϊόν είναι εκτός λειτουργίας, πριν τοποθετήσετε την επαναφορτιζόμενη μπαταρία.
- ▶ Αφαιρέστε την μπαταρία, πριν πραγματοποιήσετε ρυθμίσεις στο εργαλείο ή αντικαταστήσετε αξεσουάρ.

Προσέξτε τις υποδείξεις ασφαλείας και προειδοποίησης στην παρούσα τεκμηρίωση και στο προϊόν.

5.2 Τοποθέτηση μπαταρίας

ΠΡΟΣΟΧΗ

Κίνδυνος τραυματισμού! Ακούσια εκκίνηση του κρουστικού δράπανου.

- ▶ Βεβαιωθείτε πριν από την τοποθέτηση της επαναφορτιζόμενης μπαταρίας, ότι το κρουστικό δράπανο είναι εκτός λειτουργίας και ότι ο διακόπτης δεξιόστροφης/αριστερόστροφης λειτουργίας βρίσκεται στη μέση.

1. Τοποθετήστε την επαναφορτιζόμενη μπαταρία στη βάση του εργαλείου, μέχρι να κουμπώσει αισθητά.
2. Βεβαιωθείτε ότι εδράζει καλά η μπαταρία.

5.3 Αφαίρεση επαναφορτιζόμενης μπαταρίας

1. Πατήστε τα πλήκτρα απασφάλισης της μπαταρίας.
2. Αφαιρέστε την επαναφορτιζόμενη μπαταρία τραβώντας τη προς τα πίσω.

5.4 Τοποθέτηση πλαινής χειρολαβής

ΠΡΟΣΟΧΗ

Κίνδυνος τραυματισμού! Απώλεια του ελέγχου του προϊόντος.

- ▶ Βεβαιωθείτε ότι η πλαινή χειρολαβή έχει τοποθετηθεί και στερεωθεί σωστά. Βεβαιωθείτε ότι ο σφιγκτήρας βρίσκεται στην προβλεπόμενη γκοπή στο προϊόν.

1. Περιστρέψτε τη λαβή, για να λασκάρετε το στήριγμα (σφιγκτήρας) της πλαινής χειρολαβής.
2. Σπρώξτε τον οδηγό βάθους από μπροστά στις προβλεπόμενες 2 οπές-οδηγούς.
3. Περιστρέψτε τη λαβή, για να σφιχτείτε το στήριγμα (σφιγκτήρας) της πλαινής χειρολαβής.

5.5 Τοποθέτηση και ρύθμιση οδηγού βάθους διάτρησης

- ▶ Τοποθετήστε, εάν χρειάζεται, τον οδηγό βάθους και ρυθμίστε τον.

5.6 Τοποθέτηση/αφαίρεση τσοκ

ΠΡΟΣΟΧΗ

Κίνδυνος τραυματισμού! Κίνδυνος παρεμπόδισης του χρήστη από τοποθετημένο οδηγό βάθους, ο οποίος όμως δεν χρησιμοποιείται.

- ▶ Απομακρύνετε τον οδηγό βάθους από το εργαλείο.

- ▶ Τοποθετήστε/αφαιρέστε το τσοκ.

5.7 Τοποθέτηση εξαρτήματος

1. Γρασάρετε ελαφρά την απόληξη του εξαρτήματος.
 - ▶ Χρησιμοποιείτε μόνο γνήσιο γράσο της **Hilti**. Από λάθος γράσο μπορεί να υποστεί ζημιές το εργαλείο.



2. Τοποθετήστε το εξάρτημα μέχρι να τερματίσει στο τσοκ και αφήστε το να κουμπώσει.
3. Τραβώντας το εξάρτημα, ελέγξτε μετά την τοποθέτηση, εάν έχει ασφαλίσει σωστά.
 - ▶ Το προϊόν είναι σε ετοιμότητα λειτουργίας.

5.8 Αφαίρεση εξαρτήματος 3

- ▶ Τραβήξτε πίσω μέχρι τον αναστολέα τον μηχανισμό ασφάλισης εξαρτημάτων και αφαιρέστε το εξάρτημα.

5.9 Εργασίες πάνω από το κεφάλι 9

- ▶ Τοποθετήστε τον πιτυχωτό σωλήνα συλλογής σκόνης DCD για εργασίες πάνω από το κεφάλι.

5.10 Ρύθμιση θέσης καλεμιού 10

- ▶ Θέστε τον διακόπτη επιλογής λειτουργίας σε αυτή τη θέση ④.

6 Εργασία

ΠΡΟΣΟΧΗ

Κίνδυνος ζημιάς από λάθος χειρισμό!

- ▶ Μην χειρίζεστε τον διακόπτη για τη φορά περιστροφής ή/και την επιλογή λειτουργίας κατά τη λειτουργία.

Προσέξτε τις υποδείξεις ασφαλείας και προειδοποίησης στην παρούσα τεκμηρίωση και στο προϊόν.

6.1 Διακόπτης επιλογής λειτουργίας 10

- ▶ Θέστε τον διακόπτη επιλογής λειτουργίας στην εκάστοτε επιθυμητή θέση λειτουργίας..
 - ▶ Κατά τη διάρκεια λειτουργίας δεν επιτρέπεται να ενεργοποιηθεί ο διακόπτης επιλογής λειτουργίας.
Κίνδυνος ζημιάς!

6.2 Δεξιόστροφη/αριστερόστροφη λειτουργία 11

- ▶ Ρυθμίστε τον διακόπτη εναλλαγής δεξιόστροφης/αριστερόστροφης λειτουργίας στην επιθυμητή φορά περιστροφής.

6.3 Διάτρηση χωρίς κρούση

- ▶ Θέστε τον διακόπτη επιλογής λειτουργίας σε αυτή τη θέση ②.

6.4 Κρουστική διάτρηση

- ▶ Θέστε τον διακόπτη επιλογής λειτουργίας σε αυτή τη θέση ③T.

6.5 Σμίλευση

- ▶ Θέστε τον διακόπτη επιλογής λειτουργίας σε αυτή τη θέση T.
 - ▶ Για τέλεια ψύξη του μοτέρ, επιλέξτε τη δεξιόστροφη λειτουργία (φορά περιστροφής διάτρησης).

7 Φροντίδα και συντήρηση

7.1 Φροντίδα και συντήρηση

ΠΡΟΕΙΔΟΠΟΙΗΣΗ

Κίνδυνος τραυματισμού από τοποθετημένη μπαταρία !

- ▶ Πριν από κάθε εργασία φροντίδας και συντήρησης αφαιρείτε πάντα την μπαταρία!

Φροντίδα του προϊόντος

- Απομακρύνετε προσεκτικά τους ρύπους που έχουν επικαθίσει.
- Εφόσον υπάρχουν, καθαρίστε τις σχισμές αερισμού με μια στεγνή, μαλακή βούρτσα.
- Καθαρίζετε το περιβλήμα μόνο με ένα ελαφρώς βρεγμένο πανί. Μην χρησιμοποιείτε υλικά φροντίδας με περιεκτικότητα σε αλκίολη, διότι ενδέχεται να προσβάλλουν τα πλαστικά μέρη.



- Χρησιμοποιήστε ένα καθαρό, στεγνό πανί, για να καθαρίσετε τις επαφές του προϊόντος.

Φροντίδα επαναφορτιζόμενων μπαταριών Li-Ion

- Μην χρησιμοποιείτε ποτέ μια επαναφορτιζόμενη μπαταρία με βουλωμένες σχισμές αερισμού. Καθαρίζετε τις σχισμές αερισμού προσεκτικά με μια στεγνή, μαλακή βούρτσα.
- Αποφύγετε την άσκοπη έκθεση της επαναφορτιζόμενης μπαταρίας σε σκόνη ή ρύπους. Μην εκθέτετε ποτέ την επαναφορτιζόμενη μπαταρία σε μεγάλη υγρασία (π.χ. βύθιση σε νερό ή παραμονή σε βροχή). Εάν έχει βραχεί μια επαναφορτιζόμενη μπαταρία, αντιμετωπίστε τη όπως μια επαναφορτιζόμενη μπαταρία που έχει υποστεί ζημιά. Απομονώστε τη σε ένα μη εύφλεκτο δοχείο και απευθυνθείτε στο σέρβις της **Hilti**.
- Διατηρείτε την επαναφορτιζόμενη μπαταρία καθαρή από ξένα λάδια και γράσα. Μην επιτρέπεται να συγκεντρώνονται άσκοπα σκόνης ή ρύποι στην επαναφορτιζόμενη μπαταρία. Καθαρίζετε την επαναφορτιζόμενη μπαταρία με μια στεγνή, μαλακή βούρτσα ή ένα καθαρό, στεγνό πανί. Μην χρησιμοποιείτε υλικά φροντίδας με περιεκτικότητα σε σιλικόνη, διότι ενδέχεται να προσβάλλουν τα πλαστικά μέρη.
Μην ακουμπάτε τις επαφές της επαναφορτιζόμενης μπαταρίας και μην απομακρύνετε από τις επαφές το εργοστασιακό γράσο.
- Καθαρίζετε το περιβλήμα μόνο με ένα ελαφρώς βρεγμένο πανί. Μην χρησιμοποιείτε υλικά φροντίδας με περιεκτικότητα σε σιλικόνη, διότι ενδέχεται να προσβάλλουν τα πλαστικά μέρη.

Συντήρηση

- Ελέγχετε τακτικά όλα τα ορατά μέρη για τυχόν ζημιές και την άψογη λειτουργία όλων των χειριστηρίων.
- Μην χρησιμοποιείτε το προϊόν σε περίπτωση ζημιών ή/και δυσλειτουργιών. Αναθέστε άμεσα την επισκευή του προϊόντος στο σέρβις της **Hilti**.
- Μετά από εργασίες φροντίδας και συντήρησης, τοποθετήστε όλα τα συστήματα προστασίας και ελέγξτε την απρόσκοπτη λειτουργία τους.



Για μια ασφαλή λειτουργία χρησιμοποιείτε μόνο γνήσια ανταλλακτικά και αναλώσιμα. Εγκεκριμένα από τη **Hilti** ανταλλακτικά, αναλώσιμα και αξεσουάρ για το προϊόν σας θα βρείτε στο πλησιέστερο **Hilti Store** ή στη διεύθυνση: www.hilti.group

7.2 Καθαρισμός του προφυλακτήρα σκόνης

- ▶ Καθαρίζετε τακτικά τον προφυλακτήρα σκόνης στο τσοκ με ένα καθαρό, στεγνό πανί.
- ▶ Σκουπίστε προσεκτικά το στεγανοποιητικό χείλος και επαλείψτε το ξανά ελαφρά με γράσο της **Hilti**.
- ▶ Πρέπει να αντικαταστήσετε οπωσδήποτε τον προφυλακτήρα σκόνης σε περίπτωση που έχει υποστεί ζημιά το στεγανοποιητικό χείλος.

8 Μεταφορά και αποθήκευση

8.1 Μεταφορά και αποθήκευση επαναφορτιζόμενων εργαλείων και επαναφορτιζόμενων μπαταριών

Μεταφορά



ΠΡΟΣΟΧΗ

Ακουσία ενεργοποίηση κατά τη μεταφορά !

- ▶ Μεταφέρετε τα προϊόντα σας πάντα χωρίς τις μπαταρίες τοποθετημένες!
- ▶ Αφαιρέστε την/τις επαναφορτιζόμενες μπαταρίες.
- ▶ Μην μεταφέρετε επαναφορτιζόμενες μπαταρίες ποτέ χύδην. Κατά τη μεταφορά θα πρέπει οι επαναφορτιζόμενες μπαταρίες να προστατεύονται από υπερβολικές κρούσεις και δονήσεις και να απομονώνονται από κάθε είδους αγώγιμα υλικά ή άλλες επαναφορτιζόμενες μπαταρίες, ώστε να μην έρθουν σε επαφή με άλλους πόλους μπαταριών και προκληθεί βραχυκύκλωμα. **Λάβετε υπόψη τις τοπικές προδιαγραφές μεταφοράς για επαναφορτιζόμενες μπαταρίες.**
- ▶ Δεν επιτρέπεται η αποστολή επαναφορτιζόμενων μπαταριών μέσω ταχυδρομείου. Απευθυνθείτε σε μια μεταφορική εταιρεία, όταν θέλετε να αποστείλετε άθικτες επαναφορτιζόμενες μπαταρίες.
- ▶ Ελέγχετε το προϊόν και τις επαναφορτιζόμενες μπαταρίες για τυχόν ζημιές πριν από κάθε χρήση καθώς και πριν και μετά από μεγαλύτερης διάρκειας μεταφορά.




Ακούσια πρόκληση ζημιάς από ελαττωματικές μπαταρίες. !

- ▶ Αποθηκεύετε τα προϊόντα σας πάντα χωρίς τις μπαταρίες τοποθετημένες!
-
- ▶ Αποθηκεύετε τα προϊόν και τις επαναφορτιζόμενες μπαταρίες σε δροσερό και στεγνό χώρο. Προσέξτε τις οριακές τιμές θερμοκρασίας, που αναφέρονται στα τεχνικά χαρακτηριστικά.
 - ▶ Μην φυλάτε επαναφορτιζόμενες μπαταρίες πάνω στον φορτιστή. Μετά τη διαδικασία φόρτισης, αφαιρείτε πάντα την επαναφορτιζόμενη μπαταρία από τον φορτιστή.
 - ▶ Μην αποθηκεύετε ποτέ τις επαναφορτιζόμενες μπαταρίες στον ήλιο, πάνω σε πηγές θερμότητας ή πίσω από τζάμια.
 - ▶ Αποθηκεύετε το προϊόν και τις επαναφορτιζόμενες μπαταρίες σε σημείο στο οποίο δεν έχουν πρόσβαση παιδιά και αναρμόδια άτομα.
 - ▶ Ελέγχετε το προϊόν και τις επαναφορτιζόμενες μπαταρίες για τυχόν ζημιές πριν από κάθε χρήση καθώς και πριν και μετά από μεγαλύτερης διάρκειας αποθήκευση.

9 Βοήθεια για προβλήματα

Σε βλάβες που δεν αναφέρονται σε αυτόν τον πίνακα ή δεν μπορείτε να αποκαταστήσετε μόνοι σας, απευθυνθείτε στο σέρβις της **Hilti**.

9.1 Το κρουστικό δράπανο δεν μπορεί να λειτουργήσει

Βλάβη	Πιθανή αιτία	Λύση
Τα LED στην μπαταρία δεν δείχνουν τίποτε.	Η μπαταρία δεν έχει τοποθετηθεί ολόκληρη.	▶ Κουμπώστε την μπαταρία κάνοντας διπλό κλικ.
	Μπαταρία αποφορτισμένη.	▶ Αντικαταστήστε την μπαταρία και φορτίστε την άδεια μπαταρία.
	Επαναφορτιζόμενη μπαταρία πολύ ζεστή ή πολύ κρύα.	▶ Αφήστε την μπαταρία να κρυώσει ή να φτάσει σε θερμοκρασία δωματίου.
1 LED στην μπαταρία αναβοσβήνει.	Μπαταρία αποφορτισμένη.	▶ Αντικαταστήστε την μπαταρία και φορτίστε την άδεια μπαταρία.
	Επαναφορτιζόμενη μπαταρία πολύ ζεστή ή πολύ κρύα.	▶ Αφήστε την μπαταρία να κρυώσει ή να φτάσει σε θερμοκρασία δωματίου.
4 LED στην μπαταρία αναβοσβήνουν.	Βραχυπρόθεσμη υπερφόρτωση κρουστικού δράπανου.	▶ Αφήστε ελεύθερο τον διακόπτη ελέγχου και πατήστε τον ξανά.

9.2 Το κρουστικό δράπανο μπορεί να λειτουργήσει

Βλάβη	Πιθανή αιτία	Λύση
Απουσία κρούσης.	Κρουστικό δράπανο πολύ κρύο.	▶ Τοποθετήστε το κρουστικό δράπανο στο υπόστρωμα και αφήστε το να λειτουργεί χωρίς φορτίο. Εάν χρειάζεται, επαναλάβετε μέχρι να αρχίσει να λειτουργεί ο μηχανισμός κρούσης.
	Διακόπτης επιλογής λειτουργίας στη "διάτρηση χωρίς κρούση" .	▶ Θέστε τον διακόπτη επιλογής λειτουργίας στην "κρουστική διάτρηση" .
Δεν υπάρχει η δυνατότητα πίεσης του διακόπτη ελέγχου ή έχει μπλοκάρει.	Διακόπτης αριστερόστροφης/δεξιόστροφης λειτουργίας στη μεσαία θέση.	▶ Πιέστε τον διακόπτη αριστερόστροφης/δεξιόστροφης λειτουργίας προς τα δεξιά ή αριστερά.



Βλάβη	Πιθανή αιτία	Λύση
Ο άξονας του εργαλείου δεν περιστρέφεται.	Υπέρβαση επιτρεπόμενης θερμοκρασίας λειτουργίας στο ηλεκτρονικό σύστημα του κρουστικού δράπανου.	► Αφήστε το εργαλείο να κρυώσει.
	Μπαταρία αποφορτισμένη.	► Αντικαταστήστε την μπαταρία και φορτίστε την άδεια μπαταρία.
	Ο διακόπτης επιλογής λειτουργίας δεν έχει ασφαλίσει ή βρίσκεται στη θέση "Σμίλευση" T ή στη θέση "Ρύθμιση θέσης καλεμιού" \rightarrow .	► Θέστε τον διακόπτη επιλογής λειτουργίας στη θέση "Διάτρηση χωρίς κρούση" $\frac{1}{2}$ ή "Κρουστική διάτρηση" $\frac{1}{4}$.
Το κρουστικό δράπανο απενεργοποιείται αυτόματα.	Ενεργοποιείται η προστασία υπερφόρτισης.	► Αφήστε ελεύθερο το διακόπτη ελέγχου. Αφήστε το κρουστικό δράπανο να κρυώσει. Πιέστε ξανά τον διακόπτη ελέγχου. Μειώστε το φορτίο του εργαλείου.
Η μπαταρία αδειάζει πιο γρήγορα από ό,τι συνήθως.	Πολύ χαμηλή θερμοκρασία περιβάλλοντος.	► Αφήστε την επαναφορτιζόμενη μπαταρία να ζεσταθεί σταδιακά σε θερμοκρασία δωματίου.
Η μπαταρία δεν κουμπώνει αισθητά κάνοντας "διπλό κλικ".	Προεξοχές ασφάλισης στην μπαταρία λερωμένες.	► Καθαρίστε τις προεξοχές ασφάλισης και τοποθετήστε ξανά την μπαταρία.
Έντονη αύξηση θερμοκρασίας στο κρουστικό δράπανο ή στην μπαταρία.	Ηλεκτρική βλάβη	► Απενεργοποιήστε αμέσως το κρουστικό δράπανο. Αφαιρέστε την μπαταρία και παρατηρήστε τη. Αφήστε το να κρυώσει. Επικοινωνήστε με το σέρβις της Hilti .
	Υπερφόρτωση κρουστικού δράπανου.	► Επιλέξτε ένα εργαλείο μεγαλύτερης ισχύος.
Το εξάρτημα δεν μπορεί να αφαιρεθεί από το μηχανισμό ασφάλισης.	Δεν έχετε τραβήξει τελείως προς τα πίσω το τσοκ.	► Τραβήξτε πίσω μέχρι τον αναστολέα τον μηχανισμό ασφάλισης εξαρτημάτων και αφαιρέστε το εξάρτημα.
Το εξάρτημα δεν προχωράει.	Το κρουστικό δράπανο έχει τεθεί σε αριστερόστροφη λειτουργία.	► Επιλέξτε με το διακόπτη επιλογής δεξιόστροφης/αριστερόστροφης λειτουργίας τη δεξιόστροφη λειτουργία.
	Διακόπτης επιλογής λειτουργίας στη "διάτρηση χωρίς κρούση" $\frac{1}{2}$.	► Θέστε τον διακόπτη επιλογής λειτουργίας στην "κρουστική διάτρηση" $\frac{1}{4}$.

10 Προαιρετικά αξεσουάρ

10.1 Πτυχωτός σωλήνας συλλογής σκόνης DCD

Ο πτυχωτός σωλήνας συλλογής σκόνης DCD χρησιμοποιείται ως αξεσουάρ για κρουστικά δράπανα της **Hilti**. Συλλέγει ένα μεγάλο ποσοστό σκόνη που δημιουργείται σε εργασίες πάνω από ύψος του κεφαλιού και μπορεί να τοποθετηθεί γρήγορα και εύκολα στο κρουστικό δράπανο.

10.2 Μονάδα αναρρόφησης σκόνης TE DRS-6-A / TE DRS-6-A OSHA

Η μονάδα αναρρόφησης σκόνης TE DRS-6-A χρησιμοποιείται ως αξεσουάρ για το κρουστικό δράπανο **Hilti** TE 6-A22. Συγκεντρώνει ένα μεγάλο ποσοστό της σκόνης που δημιουργείται και μπορεί να στερηθεί γρήγορα και εύκολα στο κρουστικό δράπανο. Μέσα στη μονάδα αναρρόφησης σκόνης είναι ενσωματωμένος ένας ανεμιστήρας αναρρόφησης. Κινείται από ένα δικό του μοτέρ. Κατά την ενεργοποίηση του κρουστικού



δράπανου, η μονάδα τροφοδοτείται με ρεύμα από την επαναφορτιζόμενη μπαταρία του κρουστικού δράπανου.

Η μονάδα αναρρόφησης σκόνης δεν είναι κατάλληλη για εργασίες σε μέταλλο και ξύλο.

Συνθήκες: TE DRS-6-A OSHA

Το TE DRS-6-A OSHA ανταποκρίνεται στην οδηγία OSHA 1926.1153 Table 1. Εάν είναι εξοπλισμένο με έναν μηχανισμό καθαρισμού με φίλτρο.

10.2.1 Τοποθέτηση μονάδας αναρρόφησης σκόνης



Βεβαιωθείτε πριν από την τοποθέτηση, ότι τα σημεία στερέωσης και οι ηλεκτρικές θύρες διασύνδεσης στο κρουστικό δράπανο και στη μονάδα αναρρόφησης σκόνης δεν έχουν σκόνη και ότι κινούνται ελεύθερα.

1. Ελέγξτε τη μονάδα αναρρόφησης σκόνης για ζημιές.
2. Ελέγξτε την ευκολία κίνησης του τηλεσκοπικού σωλήνα.
3. Θέστε τον διακόπτη δεξιόστροφης / αριστερόστροφης λειτουργίας του κρουστικού δράπανου στη μεσαία θέση.
4. Απομακρύνετε τον οδηγό βάθους από την πλαϊνή χειρολαβή.
5. Σύρετε τη μονάδα αναρρόφησης σκόνης προς τα εμπρός στο εργαλείο, μέχρι να ασφαλίσει.
6. Ελέγξτε μετά την τοποθέτηση ότι έχει ασφαλίσει σωστά η μονάδα αναρρόφησης σκόνης.

10.2.2 Διάρθρωση με τη μονάδα αναρρόφησης σκόνης

1. Για να θέσετε σε λειτουργία τη μονάδα αναρρόφησης σκόνης, πατήστε τον κουμπί ελέγχου του κρουστικού δράπανου.
2. Κρατήστε το κουμπί ελέγχου πατημένο, μέχρι να επιτευχθεί η πλήρης ισχύς αναρρόφησης.
3. Τοποθετήστε την κεφαλή αναρρόφησης κάθετα πάνω στο υπόστρωμα.
4. Ανοίξτε την οπή διάτρησης και τραβήξτε το προϊόν σιγά-σιγά από την οπή διάτρησης, για να συλλέξετε την περισσότερη δυνατή σκόνη.

10.2.3 Αδειασμα δοχείου σκόνης



Ένα γεμάτο δοχείο σκόνης ή ένα βουλωμένο φίλτρο μπορεί να προκαλέσουν υπερβολική σκόνη και πρέπει να το αδειάζετε τακτικά.

Αδειάστε το δοχείο σκόνης μετά από 8-10 τρύπες (16 mm x 50 mm) (5/8 in x 2 in).

Για να ελαχιστοποιηθεί η ανάπτυξη σκόνης, φυλάξτε τη σκόνη σε ένα κλειστό δοχείο.

1. Κρατήστε οριζόντια το εργαλείο και αφήστε το να λειτουργήσει για λίγο.
 - ▶ Με αυτόν τον τρόπο αναρροφούνται στο δοχείο συλλογής σκόνης υπολείμματα σκόνης, που είχαν επικαθίσει στο δοχείο σκόνης.
2. Πατήστε το πλήκτρο απασφάλισης του δοχείου σκόνης και κρατήστε το πατημένο.
3. Τραβήξτε το δοχείο σκόνης προς τα κάτω από τη μονάδα αναρρόφησης σκόνης.
4. Αδειάστε το δοχείο σκόνης.
 - ▶ Το φίλτρο είναι λερωμένο.
 - ▶ Αντικαταστήστε το φίλτρο.
 - ▶ Το φίλτρο είναι απαλλαγμένο από ακαθαρσίες.
5. Εισάγετε συρταρωτά το άδειο δοχείο σκόνης από κάτω στη μονάδα αναρρόφησης σκόνης μέχρι να κουμπώσει.

10.2.4 Καθαρισμός φίλτρου TE-DRS-OSHA



Καθαρίστε το φίλτρο μετά από 5 τρύπες (16 mm x 50 mm) (1/2 in x 3 in).

- ▶ Όταν μειωθεί η ισχύς αναρρόφησης, πατήστε τον μηχανισμό καθαρισμού 5 φορές προς τα εμπρός και προς τα πίσω κάθε φορά μέχρι να ακούσετε ένα χαρακτηριστικό κλικ.



10.2.5 Αφαίρεση μονάδας αναρρόφησης σκόνης 15

1. Θέστε τον διακόπτη δεξιόστροφης / αριστερόστροφης λειτουργίας του κρουστικού δραπάνου στη μεσαία θέση.
2. Πατήστε τον μηχανισμό απασφάλισης DRS και κρατήστε τον πατημένο.
3. Απομακρύνετε τη μονάδα αναρρόφησης σκόνης από το εργαλείο, τραβώντας την προς τα εμπρός.

11 Διάθεση στα απορρίμματα



ΠΡΟΕΙΔΟΠΟΙΗΣΗ

Κίνδυνος τραυματισμού από ακατάλληλη διάθεση στα απορρίμματα! Κίνδυνοι για την υγεία από εξερχόμενα αέρια ή υγρά.

- ▶ Μην αποστέλλετε επαναφορτιζόμενες μπαταρίες που έχουν υποστεί ζημιά!
- ▶ Καλύψτε τις συνδέσεις με ένα μη αγώγιμο υλικό, για να αποφύγετε βραχυκυκλώματα.
- ▶ Πετάξτε τις μπαταρίες έτσι ώστε να μην μπορούν να καταλήξουν στα χέρια παιδιών.
- ▶ Απορρίψτε την μπαταρία στο **Hilti Store** ή απευθυνθείτε στην αρμόδια επιχείρηση διάθεσης απορριμμάτων.

Τα προϊόντα της **Hilti** είναι κατασκευασμένα σε μεγάλο ποσοστό από ανακυκλώσιμα υλικά. Προϋπόθεση για την ανακύκλωσή τους είναι ο κατάλληλος διαχωρισμός των υλικών. Σε πολλές χώρες, η **Hilti** παραλαμβάνει το παλιό σας εργαλείο για ανακύκλωση. Απευθυνθείτε στο σέρβις της **Hilti** ή στον σύμβουλο πωλήσεων.



- ▶ Μην πετάτε τα ηλεκτρικά εργαλεία, της ηλεκτρονικές συσκευές και τις επαναφορτιζόμενες μπαταρίες στον κάδο οικιακών απορριμμάτων!

12 RoHS (οδηγία για τον περιορισμό της χρήσης επικίνδυνων ουσιών)

Στον ακόλουθο σύνδεσμο θα βρείτε τον πίνακα επικίνδυνων ουσιών: qr.hilti.com/r4695.

Στο τέλος αυτής της τεκμηρίωσης θα βρείτε ως κώδικα QR έναν σύνδεσμο για τον πίνακα RoHS.

13 Εγγύηση κατασκευαστή

- ▶ Για ερωτήσεις σχετικά με τους όρους εγγύησης απευθυνθείτε στον τοπικό συνεργάτη της **Hilti**.

Оригинальное руководство по эксплуатации

1 Данные руководства по эксплуатации

1.1 Об этом документе



Импортер и уполномоченная изготовителем организация

- (RU) Российская Федерация
АО "Хилти Дистрибьюшн ЛТД", 141402, Московская область, г. Химки, ул. Ленинградская, стр. 25, комната 15.26
- (BY) Республика Беларусь
ИООО "Хилти БиУай", 222750, Минская область, Дзержинский район, Р-1, 18-й км, 2 (около д. Слободка), помещение 1-34
- (KZ) Республика Казахстан
ТОО "Хилти Казахстан", 050057, г. Алматы, Бостандыкский район, ул. Тимирязева, дом 42/15, литер 012 (корпус15)
- (AM) Республика Армения
ООО "ЭЙЧ-КОН", 0070, г. Ереван, ул. Ерванда Кочара 19/28

Страна производства: см. маркировочную табличку на оборудовании.

Дата производства: см. маркировочную табличку на оборудовании.

Соответствующий сертификат можно найти по адресу: www.hilti.ru



2166350

Русский

91

Специальных требований к условиям хранения, транспортировки и использования, кроме указанных в руководстве по эксплуатации, нет.

Срок службы изделия составляет 5 лет.

- Перед началом работы изучите это руководство по эксплуатации. Это является залогом безопасной и бесперебойной работы.
- Соблюдайте указания по технике безопасности и предупреждающие указания, приведенные в этом руководстве по эксплуатации и на устройстве.
- Всегда храните руководство по эксплуатации рядом с устройством и передавайте устройство другим людям только вместе с этим руководством по эксплуатации.

1.2 Пояснение к знакам

1.2.1 Предупреждающие указания

Предупреждающие указания служат для предупреждения об опасностях при обращении с изделием. Используются следующие сигнальные слова:

ОПАСНО

ОПАСНО !

- ▶ Общее обозначение непосредственной опасной ситуации, которая влечет за собой тяжелые травмы или смертельный исход.

ПРЕДУПРЕЖДЕНИЕ

ПРЕДУПРЕЖДЕНИЕ !

- ▶ Общее обозначение потенциально опасной ситуации, которая может повлечь за собой тяжелые травмы или смертельный исход.







ОСТОРОЖНО

ОСТОРОЖНО !

- ▶ Общее обозначение потенциально опасной ситуации, которая может повлечь за собой травмы или повреждение оборудования (материальный ущерб).





1.2.2 Символы, используемые в руководстве

В этом руководстве используются следующие символы:

	Соблюдать руководство по эксплуатации
	Указания по эксплуатации и другая полезная информация
	Обращение с материалами, пригодными для вторичной переработки
	Не выбрасывайте электроинструменты и аккумуляторы вместе с бытовым мусором!
	Литий-ионный аккумулятор (Li-Ion) Hilti
	Зарядное устройство Hilti

1.2.3 Символы на изображениях

На изображениях используются следующие символы:

	Эти цифры указывают на соответствующее изображение в начале данного руководства.
	Нумерация на иллюстрациях указывает на важные рабочие операции или на компоненты (детали), важные для рабочих операций. В тексте эти рабочие операции или компоненты выделены соответствующими номерами, например (3).
	Номера позиций используются в обзорном изображении. В обзоре изделия они указывают на номера в экспликации.
	Этот знак должен привлечь особое внимание пользователя при обращении с изделием.



1.3 Символы в зависимости от изделия

1.3.1 Символы

На изделия могут использоваться следующие символы:

	Сверление без удара
	Ударное сверление (сверление с ударом)
	Долбление
	Выбор положения зубила
	Изменение направления вращения (реверс)
n_0	Номинальная частота вращения в режиме холостого хода
	Постоянный ток
Li-Ion	Литий-ионный аккумулятор
	Серия используемых литий-ионных аккумуляторов HilTi . Соблюдайте указания, приведенные в главе Использование по назначению .
	Никогда не используйте аккумулятор в качестве ударного инструмента.
	Не допускайте падения аккумулятора. Не используйте аккумулятор, который получил повреждения вследствие удара или каким-либо иным образом.
	Изделие поддерживает технологию NFC, совместимую с платформами iOS и Android.

1.4 Информация об изделии

Изделия **HILTI** предназначены для профессионального использования, поэтому они должны обслуживаться и ремонтироваться только уполномоченным и обученным персоналом. Этот персонал должен пройти специальный инструктаж по технике безопасности. Использование изделия и его оснастки не по назначению или его эксплуатация необученным персоналом могут представлять опасность.

Типовое обозначение и серийный номер указаны на заводской табличке.

- ▶ Перепишите серийный номер в нижеприведенную табличную форму. Данные изделия необходимы при обращении в наше представительство или сервисный центр.

Указания к изделию

Перфоратор	TE 6-A22
Поколение	04
Серийный №	

1.5 Декларация соответствия нормам

Настоящим мы с полной ответственностью заявляем, что данное изделие соответствует действующим директивам и нормам. Копию декларации соответствия нормам см. в конце этого документа.

Техническая документация (оригиналы) хранится здесь:

HilTi Entwicklungsgesellschaft mbH | Zulassung Geräte | Hiltistraße 6 | 86916 Kaufering, Германия

2 Безопасность

2.1 Общие указания по технике безопасности для электроинструментов

⚠ ПРЕДУПРЕЖДЕНИЕ Изучите все указания по технике безопасности, инструкции, иллюстрации и технические данные, которые прилагаются к данному электроинструменту. Несоблюдение приводимых ниже указаний может привести к поражению электрическим током, пожару и/или тяжелым травмам.



Сохраните все указания по технике безопасности и инструкции для следующего пользователя.

Используемый далее термин «электроинструмент» относится к электроинструменту, работающему от электрической сети (с кабелем электропитания) и от аккумулятора (без кабеля электропитания).

Безопасность рабочего места

- ▶ Следите за чистотой и хорошей освещенностью на рабочем месте. Беспорядок на рабочем месте или плохое освещение могут привести к несчастным случаям.
- ▶ Не используйте электроустройство/электроинструмент во взрывоопасной зоне, где имеются горючие жидкости, газы или пыль. При работе электроустройство/электроинструмент искрит, и искры могут воспламенить пыль или пары/газы.
- ▶ Не разрешайте детям и посторонним приближаться к работающему электроустройству/электроинструменту. Отвлекаясь от работы, можно потерять контроль над электроустройством/электроинструментом.

Электрическая безопасность

- ▶ Соединительная вилка электроинструмента должна соответствовать розетке электросети. Не изменяйте конструкцию вилки! Не используйте переходные вилки с электроинструментами с защитным заземлением. Использование оригинальных вилок и соответствующих им розеток снижает риск поражения электрическим током.
- ▶ Избегайте непосредственного контакта с заземленными поверхностями, например с трубами, отопительными приборами, газо-/электропластинами и холодильниками. При контакте с заземленными предметами возникает повышенный риск поражения электрическим током.
- ▶ Предохраняйте электроинструменты от дождя или воздействия влаги. В результате попадания воды в электроинструмент возрастает риск поражения электрическим током.
- ▶ Не используйте кабель электропитания не по назначению, например для переноски электроинструмента, его подвешивания или для выдергивания вилки из розетки электросети. Защищайте кабель электропитания от воздействий высоких температур, масла, острых кромок или вращающихся деталей/узлов. В результате повреждения или схлестывания кабелей электропитания повышается риск поражения электрическим током.
- ▶ Если работы с электроинструментом выполняются на открытом воздухе, применяйте только удлинительные кабели, которые разрешено использовать вне помещений. Использование удлинительного кабеля, пригодного для использования вне помещений, снижает риск поражения электрическим током.
- ▶ Если избежать работы с электроинструментом в условиях влажности не представляется возможным, используйте автомат защиты от тока утечки. Использование автомата защиты от тока утечки снижает риск поражения электрическим током.

Безопасность персонала

- ▶ Будьте внимательны, следите за своими действиями и серьезно относитесь к работе с электроинструментом. Не пользуйтесь электроинструментом, если вы устали или находитесь под действием наркотиков, алкоголя или медикаментов. Незначительная ошибка при невнимательной работе с электроинструментом может стать причиной серьезного травмирования.
- ▶ Используйте средства индивидуальной защиты и всегда надевайте защитные очки. Использование средств индивидуальной защиты, например респиратора, защитной обуви на нескользящей подошве, защитной каски или защитных наушников, в зависимости от вида и условий эксплуатации электроинструмента, снижает риск травмирования.
- ▶ Избегайте непреднамеренного включения электроинструмента. Убедитесь в том, что электроинструмент выключен, прежде чем подключить его к электропитанию и/или вставить аккумулятор, поднимать или переносить электроинструмент. Ситуации, когда при переноске электроинструмента палец находится на выключателе или когда выключенный электроинструмент подключается к электросети, могут привести к несчастным случаям.
- ▶ Перед включением электроинструмента удалите регулировочные приспособления или гаечные ключи. Рабочий инструмент или гаечный ключ, находящийся во вращающейся части электроинструмента, может стать причиной получения травм.
- ▶ Старайтесь избегать неестественных поз при работе. Постоянно сохраняйте устойчивое положение и равновесие. Это позволит лучше контролировать электроинструмент в непредвиденных ситуациях.
- ▶ Носите спецодежду. Не надевайте очень свободную одежду или украшения. Оберегайте волосы, одежду и защитные перчатки от вращающихся узлов электроинструмента. Свободная одежда, украшения и длинные волосы могут быть захвачены ими.
- ▶ Если предусмотрено подсоединение устройств для удаления и сбора пыли, убедитесь в том, что они подсоединены и используются по назначению. Использование пылеудаляющего аппарата снижает вредное воздействие пыли.



- ▶ **Не пребывайте в ложной уверенности в собственной безопасности и не пренебрегайте правилами техники безопасности для электроинструментов, даже если вы являетесь опытным пользователем электроинструмента.** Неосторожное обращение может в течение долей секунды стать причиной получения тяжелых травм.

Использование и обслуживание электроинструмента

- ▶ **Не допускайте перегрузки электроинструмента. Используйте электроинструмент, предназначенный именно для данной работы.** Соблюдение этого правила обеспечит более высокое качество и безопасность работы в указанном диапазоне мощности.
- ▶ **Не используйте электроинструмент с неисправным выключателем.** Электроинструмент, включение или выключение которого затруднено, представляет опасность и должен быть отремонтирован.
- ▶ **Прежде чем приступить к регулировке электроинструмента, замене принадлежностей или перед перерывом в работе выньте вилку из розетки и/или аккумулятор из электроинструмента.** Данная мера предосторожности позволит предотвратить непреднамеренное включение электроинструмента.
- ▶ **Храните неиспользуемые электроинструменты в местах, недоступных для детей. Не позволяйте использовать электроинструмент лицам, которые не ознакомлены с ним или не читали эти инструкции.** Электроинструменты представляют собой опасность в руках неопытных пользователей.
- ▶ **Бережно обращайтесь с электроинструментами и принадлежностями. Проверяйте безупречное функционирование подвижных частей, легкость их хода, целостность и отсутствие повреждений, которые могли бы отрицательно повлиять на работу электроинструмента. Сдавайте поврежденные части электроинструмента в ремонт до его использования.** Причиной многих несчастных случаев является несоблюдение правил технического обслуживания электроинструментов.
- ▶ **Необходимо следить за тем, чтобы режущие инструменты были острыми и чистыми.** Заклинивание содержащихся в надлежащем состоянии режущих инструментов происходит реже, ими легче управлять.
- ▶ **Применяйте электроинструмент, принадлежности (оснастку), рабочие инструменты и т. д. согласно данным указаниям. Учитывайте при этом рабочие условия и характер выполняемой работы.** Использование электроинструментов не по назначению может привести к опасным ситуациям.
- ▶ **Замасленные рукоятки и поверхности для хвата немедленно очищайте — они должны быть сухими и чистыми.** Скользкие рукоятки и поверхности для хвата не обеспечивают безопасное управление и контроль электроинструмента в непредвиденных ситуациях.

Использование и обслуживание аккумуляторного инструмента

- ▶ **Заряжайте аккумуляторы только с помощью зарядных устройств, рекомендованных изготовителем.** При использовании зарядного устройства для зарядки несоответствующих ему типов аккумуляторов существует опасность возгорания.
- ▶ **Используйте только оригинальные аккумуляторы, рекомендованные специально для этого электроинструмента.** Использование других аккумуляторов может привести к травмам и опасности возгорания.
- ▶ **Неиспользуемые аккумуляторы храните вдали от скрепок, монет, ключей, гвоздей, шурупов или других мелких металлических предметов, которые могут стать причиной замыкания контактов.** Замыкание контактов аккумулятора может привести к ожогам или возгоранию.
- ▶ **При неверном обращении с аккумулятором из него может вытечь электролит. Избегайте контакта с ним. При случайном контакте смойте водой. При попадании электролита в глаза немедленно обратитесь за помощью к врачу.** Вытекший из аккумулятора электролит может привести к раздражению кожи или ожогам.
- ▶ **Не используйте поврежденный или измененный аккумулятор.** Поврежденные или измененные аккумуляторы могут функционировать непредсказуемо и стать причиной возгорания, взрыва или травмирования.
- ▶ **Не подвергайте аккумулятор воздействию огня или слишком высоких температур.** Огонь или температура свыше 130 °C могут спровоцировать взрыв аккумулятора.
- ▶ **Соблюдайте все указания по зарядке и никогда не заряжайте аккумулятор или аккумуляторный инструмент вне температурного диапазона, указанного в руководстве по эксплуатации.** Неправильная зарядка/зарядка вне указанного в руководстве по эксплуатации температурного диапазона могут привести к разрушению аккумулятора и повышают опасность возгорания.



Сервис

- ▶ **Доверяйте ремонт своего электроинструмента только квалифицированному персоналу, использующему только оригинальные запчасти.** Этим обеспечивается поддержание электроинструмента в безопасном состоянии.
- ▶ **Категорически запрещается выполнять обслуживание поврежденных аккумуляторов.** Все технические работы с аккумуляторами должны выполняться только производителем или авторизованными сервисными мастерами.

2.2 Указания по технике безопасности при работе с перфораторами

Указания по технике безопасности при выполнении любых работ

- ▶ **Надевайте защитные наушники.** В результате воздействия шума возможна потеря слуха.
- ▶ **Используйте дополнительные рукоятки, которые входят в комплект электроинструмента.** Потеря контроля над электроинструментом может привести к травмам.
- ▶ **При опасности повреждения рабочим инструментом скрытой электропроводки держите электроинструмент за изолированные поверхности рукояток.** При контакте с токопроводящей линией металлические части электроинструмента также находятся под напряжением, что может привести к поражению электрическим током.

Указания по технике безопасности при использовании длинных сверл

- ▶ **Процесс сверления всегда начинайте с низкой частотой вращения. При этом сверло должно контактировать с заготовкой.** В противном случае сверло может легко деформироваться, если оно будет свободно вращаться без контакта с заготовкой, и травмировать пользователя.
- ▶ **Не прижимайте сверло с чрезмерным усилием. При сверлении следите за тем, чтобы прилагаемое усилие было направлено (распределялось) по оси сверла.** Сверла могут деформироваться и вследствие этого ломаться или возможна потеря контроля, что, в свою очередь, может привести к получению травм.

2.3 Дополнительные указания по технике безопасности при работе с перфоратором

Безопасность персонала

- ▶ Используйте электроинструмент и его принадлежности только в технически исправном состоянии.
- ▶ Внесение изменений в конструкцию электроинструмента/принадлежностей или его/их модификация категорически запрещаются.
- ▶ Используйте дополнительные рукоятки, входящие в комплект электроинструмента. Потеря контроля над электроинструментом может привести к травмам.
- ▶ При изготовлении сквозных проемов ограждайте опасную зону с противоположной стороны стены. Вылетающие наружу и/или падающие вниз осколки могут травмировать других людей.
- ▶ Всегда надежно удерживайте электроинструмент обеими руками за предусмотренные для этого рукоятки. Следите за тем, чтобы рукоятки были сухими и чистыми.
- ▶ При опасности повреждения рабочим инструментом скрытой электропроводки держите электроинструмент за изолированные поверхности для хвата. При контакте с токопроводящей линией металлические части электроинструмента также находятся под напряжением, что может привести к удару электрическим током.
- ▶ Не прикасайтесь к вращающимся деталям/узлам электроинструмента — опасность травмирования!
- ▶ При выполнении работ с электроинструментом надевайте защитные очки, защитную каску, защитные наушники и подходящие респираторы.
- ▶ При замене рабочего инструмента надевайте защитные перчатки. Соблюдайте осторожность при замене рабочего инструмента — контакт с ним может привести к порезам и ожогам.
- ▶ Пользуйтесь защитными очками. Осколки материала могут травмировать тело и глаза.
- ▶ Пыль, возникающая при шлифовании, абразивной обработке, резке и сверлении, может содержать опасные химические вещества. Несколько примеров материалов, содержащих опасные вещества: свинец или краски на свинцовой основе; кирпич, бетон и другие материалы для кладки, природный камень и другие силикатсодержащие изделия; определенные виды древесины, такие как дуб, бук и химически обработанная древесина; асбест или материалы, содержащие асбест. Определите степень воздействия на оператора и окружающих лиц по классу опасности обрабатываемых материалов. Примите необходимые меры для обеспечения безопасного уровня воздействия, например, путем использования подходящих систем пылеудаления или ношения подходящих средств защиты органов дыхания. Общие меры по снижению опасного воздействия:
 - ▶ Работайте в хорошо проветриваемом помещении.
 - ▶ Избегайте длительного контакта с пылью.



- ▶ Удаляйте пыль с лица и тела.
- ▶ Носите защитную одежду и промывайте открытые участки, подверженные воздействию, водой с мылом.
- ▶ Чтобы во время работы руки не затекали, время от времени делайте перерывы и упражнения для расслабления и разминки пальцев. Возникающие при длительной работе вибрации могут привести к нарушениям кровоснабжения сосудов или в нервных окончаниях пальцев/кистей рук или в запястьях.

Электрическая безопасность

- ▶ Перед началом работы проверяйте рабочую зону на наличие скрытой электропроводки, газо- и водопроводных труб. Открытые металлические части электроинструмента могут стать проводниками электрического тока или привести к взрыву, если случайно задеть (повредить) электропроводку, газо- или водопровод.

Бережное обращение с электроинструментами и их правильная эксплуатация

- ▶ Немедленно выключайте электроинструмент в случае блокировки рабочего инструмента. Электроинструмент может увести в сторону.
- ▶ Дождитесь полной остановки электроинструмента, прежде чем убирать его в сторону.

2.4 Указания по технике безопасности при обращении с пылеудаляющим модулем

- ▶ Соблюдайте все указания по технике безопасности, приводимые в этом документе и на электроинструменте.
- ▶ Используйте респиратор, который будет надежно задерживать возникающую пыль при сверлении и в ходе сервисных работ, защищая ваше лицо и дыхательные пути.
- ▶ Даже при смонтированном пылеудаляющем модуле всегда используйте боковую рукоятку перфоратора **Hilti**.

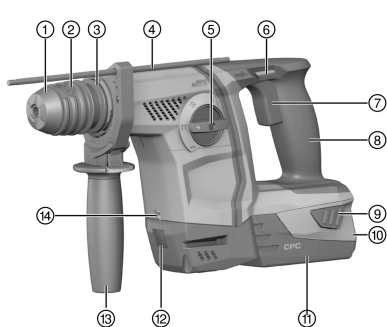
2.5 Аккуратное обращение с аккумуляторами и их правильное использование

- ▶ Соблюдайте специальные предписания по транспортировке, хранению и эксплуатации литий-ионных аккумуляторов.
- ▶ Храните аккумуляторы на безопасном расстоянии от источников высокой температуры/огня и не подвергайте их прямому воздействию солнечного излучения.
- ▶ Запрещается разбирать, сдавливать, нагревать до температуры свыше 80 °С или сжигать аккумуляторы.
- ▶ Не используйте или не заряжайте аккумуляторы, которые подвергались ударам, падали с высоты более одного метра или получали какие-либо иные повреждения. При возникновении такой ситуации всегда обращайтесь в ближайший **сервисный центр Hilti**.
- ▶ Слишком сильный нагрев аккумулятора (такой, что до него невозможно дотронуться) указывает на его возможный дефект. Разместите аккумулятор на безопасном расстоянии от воспламеняющихся материалов в хорошо просматриваемом и пожаробезопасном месте. Дайте остыть аккумулятору. Если по истечении одного часа аккумулятор все еще остается таким горячим, что его нельзя взять в руки, это означает, что он неисправен. Свяжитесь с сервисной службой **Hilti**.



3 Назначение

3.1 Обзор изделия 1



- ① Пылезащитный колпак
- ② Зажимной патрон
- ③ Деблокиратор рабочего инструмента
- ④ Ограничитель глубины
- ⑤ Переключатель режимов работы
- ⑥ Переключатель правого/левого вращения с блокировкой включения
- ⑦ Выключатель
- ⑧ Рукоятка
- ⑨ Кнопки (де)блокировки аккумулятора
- ⑩ Индикатор уровня заряда и неисправности (литий-ионного аккумулятора)
- ⑪ Аккумулятор
- ⑫ Разъем для подключения пылеудаляющего модуля TE DRS-6-A(02)
- ⑬ Боковая рукоятка
- ⑭ Подсветка рабочей зоны

3.2 Использование по назначению

Данное изделие представляет собой аккумуляторный перфоратор, который предназначен для безударного сверления стали, древесины и кирпичной кладки, ударного сверления в бетоне и кирпичной кладке, а также для вворачивания и выворачивания шурупов. Кроме того, данный электроинструмент может использоваться для выполнения легких долбежных работ по кирпичной кладке и отделочных работ по бетону.

- ▶ Для этого электроинструмента используйте только литий-ионные аккумуляторы фирмы **Hilti** серии B 22.
- ▶ Для этого изделия используйте только литий-ионные аккумуляторы фирмы **Hilti** серии B22.

3.3 Уровень заряда литий-ионного аккумулятора

Уровень заряда литий-ионного аккумулятора и сбой в работе электроинструмента сигнализируются посредством индикатора состояния литий-ионного аккумулятора. Уровень заряда литий-ионного аккумулятора отображается после нажатия одной из двух кнопок (де)блокировки аккумулятора.

Состояние	Значение
Горят четыре светодиода.	Уровень заряда: от 75 % до 100 %
Горят три светодиода.	Уровень заряда: от 50 % до 75 %
Горят два светодиода.	Уровень заряда: от 25 % до 50 %
Горит один светодиод.	Уровень заряда: от 10 % до 25 %
Мигает один светодиод.	Уровень заряда: < 10 %

i При нажатом выключателе и в течение макс. 5 с после его отпущения запрос уровня заряда невозможен. При мигании светодиодов индикатора состояния аккумулятора следуйте указаниям из главы «Помощь при неисправностях».

3.4 Комплект поставки

Перфоратор, боковая рукоятка, ограничитель глубины, руководство по эксплуатации

Другие системные принадлежности, допущенные для использования с этим изделием, вы можете найти в **Hilti Store** или на сайте **www.hilti.group**



4 Технические данные

4.1 Перфоратор

	TE 6-A22
Номинальное напряжение	21,6 В
Масса по ЕРТА Procedure 01 с аккумулятором В22/8.0	3,8 кг
Номинальная частота вращения на холостом ходу	1 050 об/мин
Диапазон диаметров отверстий при сверлении в бетоне/кирпичной кладке (ударное сверление)	4 мм ... 28 мм
Диапазон диаметров сверления в древесине (цельное сверло)	3 мм ... 20 мм
Диапазон диаметров отверстий при сверлении в металле (цельное сверло)	3 мм ... 13 мм

4.2 Данные по шуму и вибрациям согласно EN 62841

Приводимые здесь значения уровня звукового давления и вибрации были измерены согласно стандартизированной процедуре измерения и могут использоваться для сравнения электроинструментов между собой. Они также подходят для предварительной оценки вредных воздействий.

Указанные данные применимы к основным областям применения электроинструмента. Однако, если электроинструмент используется для других целей, с другими рабочими (сменными) инструментами или в случае его неудовлетворительного технического обслуживания, данные могут быть иными. Вследствие этого в течение всего периода работы электроинструмента возможно значительное увеличение вредных воздействий.

Для точного определения вредных воздействий следует также учитывать промежутки времени, в течение которых электроинструмент находится в выключенном состоянии или работает вхолостую. Вследствие этого в течение всего периода работы электроинструмента возможно заметное уменьшение вредных воздействий.

Примите дополнительные меры безопасности для защиты пользователя от воздействия возникающего шума и/или вибраций, например: техническое обслуживание электроинструмента и рабочих (сменных) инструментов, сохранение тепла рук, правильная организация рабочих процессов.

Данные о шуме

Уровень звуковой мощности (L_{WA})	100 дБ(А)
Значение уровня звукового давления (L_{PA})	89 дБ(А)
Погрешность (значения шума) (K_{PA} и K_{WA})	3 дБ(А)

Общие значения вибрации

		TE 6-A22
Ударное сверление в бетоне ($a_{h, HD}$)	В 22/2.6 Li-Ion (02)	19,9 м/с ²
	В 22/8.0 Li-Ion	17,1 м/с ²
Погрешность при ударном сверлении в бетоне	В 22/2.6 Li-Ion (02)	2,1 м/с ²
	В 22/8.0 Li-Ion	1,5 м/с ²
Долбление ($a_{h, CHeg}$)	В 22/2.6 Li-Ion (02)	10,9 м/с ²
	В 22/8.0 Li-Ion	12,1 м/с ²
Погрешность при долблении	В 22/2.6 Li-Ion (02)	1,5 м/с ²
	В 22/8.0 Li-Ion	1,5 м/с ²

4.3 Аккумулятор

Рабочее напряжение аккумулятора	21,6 В
Температура окружающей среды при эксплуатации	-17 °C ... 60 °C
Температура хранения	-20 °C ... 40 °C
Температура аккумулятора в начале зарядки	-10 °C ... 45 °C



5 Эксплуатация

5.1 Подготовка к работе

ПРЕДУПРЕЖДЕНИЕ

Опасность травмирования вследствие непреднамеренного пуска!

- ▶ Перед установкой аккумулятора убедитесь в том, что соответствующий электроинструмент выключен.
- ▶ Прежде чем приступить к регулировке электроинструмента или замене принадлежностей выньте аккумулятор из электроинструмента.

Соблюдайте указания по технике безопасности и предупреждающие указания, приводимые в данном документе и на изделии.

5.2 Установка аккумулятора 2

ОСТОРОЖНО

Опасность травмирования! Непреднамеренное включение перфоратора.

- ▶ Перед установкой аккумулятора убедитесь в том, что перфоратор выключен и заблокирован от включения (переключатель правого/левого вращения находится в среднем положении).

1. Установите и зафиксируйте аккумулятор в креплении электроинструмента (при правильной фиксации слышен характерный щелчок).
2. Проверьте надежность фиксации аккумулятора.

5.3 Удаление аккумулятора 3

1. Нажмите кнопки (де)блокировки аккумулятора.
2. Вытяните аккумулятор движением к себе.

5.4 Установка боковой рукоятки 4

ОСТОРОЖНО

Опасность травмирования! Потеря контроля над электроинструментом.

- ▶ Убедитесь в том, что боковая рукоятка правильно установлена и надежно закреплена. Убедитесь в том, что фиксирующее кольцо установлено в соответствующей канавке на электроинструменте.

1. Поверните рукоятку, чтобы расфиксировать фиксатор (фиксирующее кольцо) боковой рукоятки.
2. Установите ограничитель глубины спереди в два специально предназначенных для этого направляющих отверстия.
3. Поверните рукоятку, чтобы зажать фиксатор (фиксирующее кольцо) боковой рукоятки.

5.5 Установка и регулировка ограничителя глубины 5

- ▶ При необходимости установите ограничитель глубины и отрегулируйте его.

5.6 Установка/снятие зажимного патрона 3

ОСТОРОЖНО

Опасность травмирования! Опасность травмирования пользователя вследствие смонтированного, но не используемого ограничителя глубины.

- ▶ Снимите ограничитель глубины с электроинструмента.

- ▶ Установите/снимите зажимной патрон.

5.7 Установка рабочего инструмента 7

1. Слегка смажьте хвостовик рабочего инструмента.
 - ▶ Используйте только оригинальную пластичную смазку фирмы **Hilti**. Использование неподходящей пластичной смазки может стать причиной повреждений электроинструмента.



2. Вставьте рабочий инструмент до упора в зажимной патрон до фиксации.
3. Потяните рабочий инструмент на себя после его установки, чтобы удостовериться, что он надежно закреплен в патроне.
 - ▶ Электроинструмент готов к работе.

5.8 Извлечение рабочего инструмента

- ▶ Оттяните патрон до упора назад и извлеките рабочий инструмент.

5.9 Работа над головой (потолочные работы)

- ▶ Смонтируйте пылеулавливающее кольцо DCD для выполнения работ над головой.

5.10 Выбор положения зубила

- ▶ Установите переключатель режимов работы в положение

6 Выполнение работ

ОСТОРОЖНО

Опасность повреждения вследствие неправильного обращения!

- ▶ Не нажимайте переключатель направления вращения и/или режима во время работы.

Соблюдайте указания по технике безопасности и предупреждающие указания, приводимые в данном документе и на изделии.

6.1 Переключатель режимов работы

- ▶ Установите переключатель режимов работы в нужное рабочее положение.
 - ▶ Менять положение переключателя режимов работы при работающем электроинструменте запрещается. **Опасность повреждения!**

6.2 Изменение направления вращения (реверс)

- ▶ Установите переключатель правого/левого вращения в нужное положение.

6.3 Сверление без удара

- ▶ Установите переключатель режимов работы в положение

6.4 Сверление с ударом

- ▶ Установите переключатель режимов работы в положение

6.5 Долбление

- ▶ Установите переключатель режимов работы в положение .
 - ▶ Для оптимального охлаждения двигателя установите режим правого вращения (направление вращения сверла).

7 Уход и техническое обслуживание

7.1 Уход и техническое обслуживание

ПРЕДУПРЕЖДЕНИЕ

Опасность травмирования при установленном аккумуляторе !

- ▶ Перед проведением любых работ по уходу и обслуживанию всегда извлекайте аккумулятор!

Уход за электроинструментом

- Удаляйте налипшую грязь с осторожностью.
- Осторожно очищайте вентиляционные прорези (при наличии) сухой мягкой щеткой.



- Очищайте корпус только слегка увлажненной тканью. Не используйте средства по уходу с содержанием силикона, поскольку они могут повредить пластиковые детали.
- Для очистки контактов электроинструмента используйте чистую сухую тряпку.

Уход за литий-ионными аккумуляторами

- Категорически запрещается использовать аккумулятор с забитыми вентиляционными прорезями. Осторожно очистите вентиляционные прорези сухой мягкой щеткой.
- Не допускайте чрезмерного запыления или загрязнения аккумулятора. Категорически запрещается подвергать аккумулятор чрезмерному воздействию влаги (например, опускать его в воду или оставлять под дождем).

Если аккумулятор промокнет, обращайтесь с ним, как с поврежденным. Поместите его в контейнер из негорючего материала и обратитесь в сервисную службу **Hilti**.

- Аккумулятор должен быть чистым, без следов масла и смазки. Не допускайте чрезмерного скопления пыли или грязи на аккумуляторе. Очищайте аккумулятор сухой мягкой кистью или чистой и сухой тряпкой. Не используйте средства по уходу с содержанием силикона, поскольку они могут повредить пластиковые детали.

Не прикасайтесь к контактам аккумулятора и не удаляйте с них смазку, нанесенную на заводе.

- Очищайте корпус только слегка увлажненной тканью. Не используйте средства по уходу с содержанием силикона, поскольку они могут повредить пластиковые детали.

Техническое обслуживание

- Регулярно проверяйте все видимые части электроинструмента на отсутствие повреждений, а элементы управления — на исправное функционирование.
- При повреждениях и/или функциональных сбоях не используйте электроинструмент. Незамедлительно сдайте его для ремонта в сервисный центр **Hilti**.
- После ухода за электроинструментом и его технического обслуживания установите все защитные приспособления на место и проверьте их исправное функционирование.



Для обеспечения безопасной эксплуатации используйте только оригинальные запасные части и расходные материалы. Допущенные **Hilti** запасные части, расходные материалы и принадлежности для этого электроинструмента вы можете найти в **Hilti Store** или на: www.hilti.group

7.2 Очистка пылезащитного колпачка

- ▶ Регулярно выполняйте очистку пылезащитного колпачка на зажимном патроне с помощью сухой и чистой ткани.
- ▶ Осторожно протрите уплотнительный язычок начисто и снова смажьте его тонким слоем пластичной смазки **Hilti**.
- ▶ Всегда заменяйте пылезащитный колпачок, если уплотнительный язычок поврежден.

8 Транспортировка и хранение

8.1 Транспортировка и хранение аккумуляторных инструментов и аккумуляторов

Транспортировка



ОСТОРОЖНО

Непреднамеренное включение в ходе транспортировки !

- ▶ При транспортировке своих электроинструментов всегда отсоединяйте от них аккумуляторы!
- ▶ Извлеките аккумулятор(ы).
- ▶ Категорически запрещается транспортировать аккумуляторы без упаковки (бестарным способом). Во время транспортировки необходимо принять меры по защите аккумуляторов от сильных ударов и вибраций и изолировать их от любых токопроводящих материалов или других аккумуляторов, чтобы не допустить их контакта с клеммами других аккумуляторов и, как следствие этого, короткого замыкания. **Соблюдайте действующие предписания по транспортировке аккумуляторов.**
- ▶ Запрещается пересылать аккумуляторы по почте. Обратитесь в транспортно-экспедиционную компанию, если вы хотите переслать поврежденные аккумуляторы.
- ▶ Перед каждым использованием, а также перед длительной транспортировкой и после нее проверьте электроинструмент и аккумуляторы на отсутствие повреждений.



Хранение

ПРЕДУПРЕЖДЕНИЕ

Непреднамеренное повреждение вследствие неисправных или протекающих аккумуляторов !

- ▶ При хранении своих электроинструментов всегда отсоединяйте от них аккумуляторы!
- ▶ По возможности храните фонарь и аккумуляторы в сухом и прохладном месте. Соблюдайте ограничения по температуре, приводимые в технических характеристиках.
- ▶ Не храните аккумуляторы на зарядном устройстве. После зарядки всегда извлекайте аккумулятор из зарядного устройства.
- ▶ Никогда не оставляйте аккумуляторы на солнце, на нагревательных/отопительных элементах или за стеклом.
- ▶ Храните фонарь и аккумуляторы в недоступном для детей и посторонних лиц месте.
- ▶ Перед каждым использованием, а также перед длительным хранением и после него проверяйте электроинструмент и аккумуляторы на отсутствие повреждений.

9 Помощь при неисправностях

В случае неисправностей, которые не указаны в этой таблице или которые вы не можете устранить самостоятельно, обращайтесь в ближайший сервисный центр Hilti.

9.1 Перфоратор неисправен

Неисправность	Возможная причина	Решение
Светодиоды на аккумуляторе ничего не показывают.	Аккумулятор вставлен не полностью.	▶ Установите аккумулятор с характерным (двойным) щелчком.
	Аккумулятор разряжен.	▶ Замените аккумулятор и зарядите разряженный аккумулятор.
	Аккумулятор слишком холодный/слишком горячий	▶ Дайте остыть аккумулятору или доведите его температуру до комнатной.
На аккумуляторе мигает один светодиод.	Аккумулятор разряжен.	▶ Замените аккумулятор и зарядите разряженный аккумулятор.
	Аккумулятор слишком холодный/слишком горячий	▶ Дайте остыть аккумулятору или доведите его температуру до комнатной.
На аккумуляторе мигают четыре светодиода.	Кратковременная перегрузка перфоратора	▶ Отпустите выключатель и нажмите его снова.

9.2 Перфоратор исправен

Неисправность	Возможная причина	Решение
Не выполняется сверление с ударом.	Перфоратор слишком холодный	▶ Установите перфоратор на базовый материал и дайте ему поработать в холостом режиме. При необходимости повторяйте процедуру, пока работает ударный механизм.
	Установите переключатель режимов работы в положение «Сверление без удара»	▶ Установите переключатель режимов работы в положение «Сверление с ударом»
Выключатель не нажимается или заблокирован.	Переключатель правого/левого вращения находится в среднем положении.	▶ Переведите переключатель правого/левого вращения вправо или влево.



Неисправность	Возможная причина	Решение
Шпиндель не вращается.	Превышена допустимая рабочая температура электроники перфоратора.	▶ Дайте электроинструменту остыть.
	Аккумулятор разряжен.	▶ Замените аккумулятор и зарядите разряженный аккумулятор.
	Переключатель режимов работы не зафиксирован или находится в положении «Долбление» или в положении «Выбор положения зубила» .	▶ Установите переключатель режимов работы в положение «Сверление без удара» или «Сверление с ударом» .
Перфоратор автоматически отключается.	Сработала система защиты от перегрузки электродвигателя.	▶ Отпустите основной выключатель. Дайте остыть перфоратору. Нажмите выключатель снова. Уменьшите нагрузку на электроинструмент.
Аккумулятор разряжается быстрее, чем обычно.	Очень низкая температура окружающей среды	▶ Обеспечьте постепенный нагрев аккумулятора до комнатной температуры.
При установке аккумулятора не слышно характерного (двойного) щелчка.	Грязь на контактах аккумулятора	▶ Очистите фиксирующие выступы и установите аккумулятор повторно.
Сильный нагрев (внутри) перфоратора или аккумулятора.	Электрическая неисправность	▶ Немедленно выключите перфоратор. Извлеките аккумулятор и наблюдайте за ним. Дайте ему остыть. Свяжитесь с сервисной службой Hilti .
	Перфоратор перегружен.	▶ Выберите подходящий для конкретной области применения электроинструмент (большей мощности).
Рабочий инструмент не высвобождается из патрона.	Не полностью отжат зажимной патрон.	▶ Оттяните патрон до упора назад и извлеките рабочий инструмент.
Рабочий инструмент не функционирует.	Перфоратор установлен в положение левого вращения.	▶ Переведите переключатель правого/левого вращения в положение правого вращения.
	Установите переключатель режимов работы в положение «Сверление без удара» .	▶ Установите переключатель режимов работы в положение «Сверление с ударом» .

10 Опциональные принадлежности

10.1 Пылеулавливающее кольцо DCD

Пылеулавливающее кольцо DCD используется в качестве оснастки для перфоратора **Hilti**. Оно собирает большую часть возникающей в ходе работ над головой пыли и может быстро и легко крепиться на перфораторе.

10.2 Пылеудаляющий модуль TE DRS-6-A / TE DRS-6-A OSHA

Пылеудаляющий модуль TE DRS-6-A используется в качестве оснастки для перфоратора **Hilti** TE 6-A22. Он собирает большую часть возникающей во время работы пыли и может быстро и легко крепиться на перфораторе. В пылеудаляющий модуль встроен всасывающий вентилятор, который приводится в действие собственным двигателем. При включении перфоратора модуль запитывается от аккумулятора перфоратора.

Пылеудаляющий модуль не предназначен для использования при сверлении металла и древесины.



TE DRS-6-A OSHA отвечает требованиям директивы OSHA 1926.1153 Table 1. Он оснащен механизмом очистки фильтра.

10.2.1 Монтаж пылеудаляющего модуля **12**

i Перед монтажом пылеудаляющего модуля убедитесь в том, что в точках фиксации и на электрических разъемах на перфораторе и модуле нет пыли или других загрязнений и что они легко доступны.

1. Проверьте пылеудаляющий модуль на отсутствие повреждений.
2. Проверьте легкость хода телескопической стойки.
3. Переверните переключатель направления вращения перфоратора в среднее положение.
4. Извлеките ограничитель глубины из боковой рукоятки.
5. Надвиньте модуль спереди на электроинструмент до фиксации.
6. После монтажа проверьте, правильно ли зафиксирован пылеудаляющий модуль.

10.2.2 Сверление с пылеудаляющим модулем

1. Для запуска пылеудаляющего модуля нажмите кнопку управления на перфораторе.
2. Удерживайте кнопку управления в нажатом положении до тех пор, пока не будет достигнута полная мощность всасывания.
3. Установите всасывающую головку на базовый материал под прямым углом.
4. Просверлите отверстие и осторожно извлеките инструмент из отверстия, чтобы уловить как можно большее количество пыли.

10.2.3 Опорожнение пылесборника **13**

i При полном заполнении пылесборника или забивании фильтра возможно образование чрезмерно большого количества пыли, поэтому они подлежат регулярной очистке (опорожнению).
Опорожняйте пылесборник после сверления 8–10 отверстий (16 x 50 мм) (5/8" x 2").
Для минимизации пылеобразования храните пыль в закрытой емкости.

1. Удерживая электроинструмент горизонтально, включите его на короткое время.
 - ▶ При этом остатки пыли из модуля попадут в пылесборник.
2. Нажмите кнопку разблокировки (расфиксации) пылесборника и удерживайте ее нажатой.
3. Извлеките пылесборник из модуля движением вниз.
4. Опорожните пылесборник.
 - ▶ Фильтр загрязнен.
 - ▶ Замените фильтр.
 - ▶ Фильтр очищен от загрязнений.
5. Задвиньте пустой пылесборник в пылеудаляющий модуль снизу до фиксации.

10.2.4 Очистка фильтра TE-DRS-OSHA **14**

i Очищайте фильтр после сверления пяти отверстий (16 x 50 мм) (1/2" x 3").

- ▶ При снижении мощности всасывания нажимайте механизм очистки до слышимого щелчка по пять раз вперед и назад.

10.2.5 Демонтаж пылеудаляющего модуля **15**


1. Переверните переключатель направления вращения перфоратора в среднее положение.
2. Нажмите деблокиратор DRS и удерживайте его нажатым.
3. Снимите модуль с электроинструмента движением вперед.



⚠ ПРЕДУПРЕЖДЕНИЕ

Опасность травмирования вследствие неправильной утилизации! Опасность для здоровья вследствие выхода газов или жидкостей.

- ▶ Не пересылайте поврежденные аккумуляторы!
- ▶ Закрывайте аккумуляторные контакты не проводящим ток материалом, чтобы избежать коротких замыканий.
- ▶ Утилизируйте аккумуляторы так, чтобы исключить их попадание в руки детей.
- ▶ Утилизируйте аккумулятор через ближайший **Hilti Store** или обратитесь в специализированную фирму по утилизации.

 Большинство материалов, из которых изготовлены устройства **Hilti**, подлежат вторичной переработке. Перед утилизацией следует тщательно рассортировать материалы (для удобства их последующей переработки). Во многих странах фирма **Hilti** уже организовала прием бывших в использовании электрических и электронных устройств (инструментов, приборов) для утилизации. Дополнительную информацию по этому вопросу можно получить в отделе по обслуживанию клиентов или у консультантов по продажам фирмы **Hilti**.



- ▶ Не выбрасывайте электрические инструменты, электронные устройства/приборы и аккумуляторы вместе с обычным мусором!

12 RoHS (Директива об ограничении применения опасных веществ)

По этой ссылке доступна таблица опасных веществ: qr.hilti.com/r4695.

Ссылку в виде QR-кода на таблицу опасных веществ согласно директиве RoHS см. в конце этого документа.

13 Гарантия производителя

- ▶ С вопросами по поводу гарантийных условий обращайтесь в ближайшее представительство **Hilti**.

Orijinal kullanım kılavuzu**1 Kullanım kılavuzu bilgileri****1.1 Bu kullanım kılavuzu hakkında**

- Aleti çalıştırmadan önce bu kullanım kılavuzunu mutlaka okuyunuz. Bu, güvenli çalışma ve arızasız kullanım için ön koşuldur.
- Bu kullanım kılavuzunda ve ürün üzerinde bulunan emniyet ve uyarı bilgilerine dikkat ediniz.
- Kullanım kılavuzunu her zaman ürün üzerinde bulundurunuz ve ürünü sadece bu kullanım kılavuzu ile birlikte başka kişilere veriniz.

1.2 Resim açıklaması**1.2.1 Uyarı bilgileri**

Uyarı bilgileri, ürün ile çalışırken ortaya çıkabilecek tehlikelere karşı uyarır. Aşağıdaki uyarı metinleri kullanılır:

⚠ TEHLİKE**TEHLİKE !**

- ▶ Ağır vücut yaralanmalarına veya doğrudan ölüme sebep olabilecek tehlikeler için.

⚠ İKAZ**İKAZ !**

- ▶ Ağır yaralanmalara veya ölüme neden olabilecek tehlikeler için.









⚠ DİKKAT**DİKKAT !**

- ▶ Vücut yaralanmalarına veya maddi hasarlara yol açabilecek olası tehlikeli durumlar için.


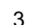


1.2.2 Kullanım kılavuzundaki semboller

Bu kullanım kılavuzunda aşağıdaki semboller kullanılmıştır:

	Kullanım kılavuzuna dikkat edilmelidir
	Kullanım uyarıları ve diğer gerekli bilgiler
	Geri dönüşümlü malzemeler ile çalışma
	Elektrikli aletleri ve aküleri evdeki çöplere atmayınız
	Hilti Lityum İyon akü
	Hilti Şarj cihazı




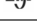

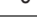

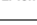



1.2.3 Çizimlerdeki semboller

Çizimlerde aşağıdaki semboller kullanılmıştır:

	Bu sayılar, kullanım kılavuzunun başlangıcındaki ilgili çizime atanmıştır.
	Çizimlerdeki numaralandırma, önemli çalışma adımlarını veya çalışma adımları için önemli olan yapı parçalarını gösterir. Metinde, bu çalışma adımları veya yapı parçasına karşılık gelen sayılarla vurgulanmıştır, örn. (3) .
	Pozisyon numaraları Genel bakış çiziminde kullanılır ve Ürüne genel bakış bölümündeki açıklama numaralarına referans niteliğindedir.
	Bu işaret, ürün ile çalışırken dikkatinizi çekmek için koyulmuştur.

1.3 Ürüne bağlı semboller**1.3.1 Semboller**

Üründe aşağıdaki semboller kullanılmış olabilir:

	Darbesiz delme
	Darbe ile delme (darbeli delme)
	Keskileme
	Keski konumlandırma
	Sağa/Sola doğru çalışma
	Ölçüm rölanti devir sayısı
	Doğru akım
	Lityum İyon akü
	Kullanılan Hilti Lityum İyon akü tip serisi. Usulüne uygun kullanım bölümündeki bilgileri dikkate alın.
	Aküyü asla darbe aleti olarak kullanmayınız.
	Aküyü düşürmeyiniz. Darbe almış veya hasar görmüş bir aküyü kullanmayınız.





Alet, iOS ve Android platformları ile uyumlu NFC teknolojisini destekler.

1.4 Ürün bilgileri

HILTI ürünleri profesyonel kullanıcıların kullanımı için öngörülmüştür ve sadece yetkili personel tarafından kullanılabilir ve bakımı yapılabilir. Bu personel, meydana gelebilecek tehlikeler hakkında özel olarak eğitim görmüş olmalıdır. Aletin ve ilgili yardımcı gereçlerin eğitimsiz personel tarafından usulüne uygun olmayan şekilde kullanılması ve amaçları dışında çalıştırılması sonucu tehlikeli durumlar söz konusu olabilir. Tip tanımı ve seri numarası, tip plakası üzerinde belirtilmiştir.

► Seri numarasını aşağıdaki tabloya aktarınız. Ürün bilgileri acente veya servis merkezini aradığınızda sorulabilir.

Ürün bilgileri

Kıncı-delici	TE 6-A22
Nesil	04
Seri no.	

1.5 Uygunluk beyanı

Burada tanımlanan ürünün, geçerli yönetmeliklere ve normlara uygun olduğunu kendi sorumluluğumuzda beyan ederiz. Bu dokümantasyonun sonunda uygunluk beyanının bir kopyasını bulabilirsiniz.

Teknik dokümantasyonlar eklidir:

Hilti Entwicklungsgesellschaft mbH | Zulassung Geräte | Hiltistraße 6 | 86916 Kaufering, DE

2 Güvenlik

2.1 Elektrikli el aletleri için genel güvenlik uyarıları

⚠ İKAZ Bu elektrikli el aletine yönelik tüm güvenlik uyarılarını, talimatları, resimli açıklamaları ve teknik verileri dikkatlice okuyunuz. Aşağıdaki talimatlara uyulmaması durumunda elektrik çarpması, yangın ve/veya ağır yaralanmalar söz konusu olabilir.

Tüm güvenlik uyarılarını ve kullanım talimatlarını muhafaza ediniz.

Güvenlik uyarılarında kullanılan "Elektrikli el aleti terimi, şebeke işletimli elektrikli el aletleri (şebeke kablosu ile) veya akü işletimli elektrikli el aletleri (şebeke kablosu olmadan) ile ilgilidir.

İş yeri güvenliği

- **Çalışma alanınızı temiz ve aydınlık tutunuz.** Düzensiz veya aydınlatma olmayan çalışma alanları kazalara yol açabilir.
- **Yanıcı sıvıların, gazların veya tozların bulunduğu patlama tehlikesi olan yerlerde elektrikli el aleti ile çalışmayınız.** Elektrikli el aletleri, toz veya buharı yakabilecek kıvılcım oluşturur.
- **Elektrikli el aletini kullanırken çocukları ve diğer kişileri uzak tutunuz.** Dikkatiniz dağılırsa aletin kontrolünü kaybedebilirsiniz.

Elektrik güvenliği

- **Elektrikli el aletinin bağlantı fişi prize uygun olmalıdır. Fiş hiçbir şekilde değiştirilmemelidir. Adaptör fişini topraklama korumalı elektrikli el aletleri ile birlikte kullanmayınız.** Değiştirilmemiş fişler ve uygun prizler elektrik çarpması riskini azaltır.
- **Borular, radyatörler, fırınlar ve buzdolapları gibi toprağa temas eden üst yüzeylere vücudunuzla temas etmekten kaçınınız.** Vücudunuzun toprakla teması var ise yüksek bir elektrik çarpması riski söz konusudur.
- **Elektrikli el aletini yağmurdan veya ıslaklıktan uzak tutunuz.** Elektrikli el aletine su girmesi, elektrik çarpması riskini artırır.
- **Elektrikli el aletini taşımak, asmak veya fişi prizden çekmek için bağlantı kablosunu kullanım amacı dışında kullanmayınız.** Bağlantı kablosunu sıcağın, yağdan, keskin kenarlardan ve hareketli parçalardan uzak tutunuz. Hasarlı veya dolanmış bağlantı kabloları elektrik çarpması riskini artırır.
- **Elektrikli bir el aleti ile açık alanda çalışacaksanız, sadece dışarda kullanımına izin verilen uzatma kabloları kullanınız.** Dış mekanlar için uygun olan uzatma kablolarının kullanılması elektrik çarpması riskini azaltır.
- **Elektrikli el aleti işletiminin nemli ortamda yapılması kaçınılmaz ise bir kaçak akım koruma şalteri kullanınız.** Bir kaçak akım koruma şalterinin kullanımı elektrik çarpması riskini azaltır.



Kişilerin güvenliği

- ▶ **Dikkatli olunuz, ne yaptığınıza dikkat ediniz ve elektrikli el aleti ile mantıklı bir şekilde çalışınız. Yorgunsanız veya uyuşturucu, alkol veya ilaç etkisi altında olduğunuzda elektrikli el aleti kullanmayınız.** Elektrikli el aletini kullanırken bir anlık dikkatsizlik ciddi yaralanmalara neden olabilir.
- ▶ **Kişisel koruyucu donanım ve her zaman bir koruyucu gözlük takınız.** Elektrikli el aletinin türüne ve kullanımına göre toz maskesi, kaymayan güvenlik ayakkabısı, koruyucu kask veya kulaklık gibi kişisel koruyucu donanımların kullanılmasını yaralanma riskini azaltır.
- ▶ **İstem dışı çalışmayı önleyiniz. Güç kaynağına ve/veya aküyü bağlamadan, girişini yapmadan veya taşımadan önce elektrikli el aletinin kapalı olduğundan emin olunuz.** Elektrikli el aletini taşırken parmağınız şalterde ise veya alet açık konumda güç kaynağına takılırsa bu durum kazalara yol açabilir.
- ▶ **Elektrikli el aletini devreye almadan önce ayar aletlerini veya vidalama anahtarlarını çıkartınız.** Dönen bir alet parçasında bulunan bir alet veya anahtar yaralanmalara yol açabilir.
- ▶ **Aşırı bir vücut hareketinden sakınınız. Güvenli bir duruş sağlayınız ve her zaman dengeli tutunuz.** Böylece beklenmedik durumlarda elektrikli el aletini daha iyi kontrol edebilirsiniz.
- ▶ **Uygun kıyafetler giyiniz. Bol kıyafetler giymeyiniz veya takı takmayınız. Saçları, kıyafetleri ve eldivenleri hareket eden parçalardan uzak tutunuz.** Bol kıyafetler, takı veya uzun saçlar hareket eden parçalara takılabilir.
- ▶ **Toz emme ve tutma tertibatları monte edilebiliyorsa bunların bağlı olduğundan ve doğru kullanıldığından emin olunuz.** Bu toz emme tertibatının kullanımı tozdan kaynaklanabilecek tehlikeleri azaltabilir.
- ▶ **Kendi güvenliğinizi riske atmayınız ve elektrikli el aletleri kullanımında sunu derece tecrübeli olsanız bile ilgili güvenlik kurallarını ihlal etmeyiniz.** Dikkatsiz kullanım saniyeler içerisinde ciddi yaralanmalara neden olabilir.

Elektrikli el aletinin kullanımı ve çalıştırılması

- ▶ **Aleti çok fazla zorlamayın. Çalışmanız için uygun olan elektrikli el aletini kullanın.** Uygun elektrikli el aleti ile bildirilen hizmet alanında daha iyi ve güvenli çalışırsınız.
- ▶ **Şalteri bozuk olan elektrikli el aletini kullanmayınız.** Açılıp kapatılmayan bir elektrikli el aleti tehlikelidir ve tamir edilmesi gerekir.
- ▶ **Alet ayarlarını yapmadan, aksesuar parçalarını değiştirmeden veya aleti bir yere koymadan önce fişi prizden ve/veya (çıkartılabilir) aküyü aletten çıkarınız.** Bu önlem, elektrikli el aletinin istem dışı çalışmasını engeller.
- ▶ **Kullanılmayan elektrikli el aletlerini çocukların erişemeyeceği yerde muhafaza edin. Aleti iyi tanımayan veya bu talimatları okumamış kişilere aleti kullanırmayınız.** Elektrikli el aletleri bilgisiz kişiler tarafından kullanılırsa tehlikelidir.
- ▶ **Elektrikli el aletlerinin ve aksesuarlarının bakımını titizlikle yapınız. Hareketli parçaların kusursuz çalıştığı ve sıkışmadığı, parçaların kırılıp kırılmadığı veya hasar görüp görmediği, elektrikli el aleti fonksiyonlarının kısıtlanma durumlarını kontrol ediniz. Hasarlı parçaları aleti kullanmadan önce tamir ettiriniz.** Birçok kazanın nedeni bakım kötü yapılan elektrikli el aletleridir.
- ▶ **Kesme aletlerini keskin ve temiz tutun.** Özenle bakımı yapılmış keskin bıçak kenarı olan kesme aletleri daha az sıkışır ve kullanımı daha rahattır.
- ▶ **Elektrikli el aletini, aksesuarları, ek aletleri vb. bu talimatlara göre kullanın. Çalışma şartlarını ve yapılacak işi de ayrıca göz önünde bulundurun.** Elektrikli el aletlerinin öngörülen kullanımı dışında kullanılması tehlikeli durumlara yol açabilir.
- ▶ **Tutamağı ve tutamak yüzeylerini daima temiz ve yağ ve gresten arındırılmış durumda tutunuz.** Kaygan tutamaklar ve tutamak yüzeyleri güvenli bir kullanımı ve öngörülemeden durumlarda elektrikli el aletinin kontrolünü engeller.

Akülü el aletinin kullanımı ve çalıştırılması

- ▶ **Aküleri sadece üretici tarafından tavsiye edilen şarj cihazları ile şarj ediniz.** Belirli bir akü için uygun olan bir şarj cihazı, başka akülerle kullanılırsa yanma tehlikesi vardır.
- ▶ **Elektrikli el aletlerinde sadece bunun için öngörülen aküler kullanılmalıdır.** Başka akülerin kullanılması yaralanmalara ve yanma tehlikelerine yol açabilir.
- ▶ **Kullanılmayan aküleri, kontakların köprülmesine sebep olabilecek ataçlar, madeni paralar, anahtarlar, çiviler, vidalar veya diğer küçük metal cisimlerden uzak tutunuz.** Akü kontakları arasındaki kısa devre yanmalara veya alev oluşumuna sebep olabilir.
- ▶ **Yanlış kullanımda aküden sıvı çıkabilir. Bunlar ile teması önleyiniz. Yanlışlıkla temasta su ile durulayınız. Sıvı gözlere temas ederse ayrıca doktor yardımını isteyiniz.** Dışarı akan akü sıvısı cilt tahrişine ve yanmalarına yol açabilir.
- ▶ **Hasarlı veya değiştirilmiş aküleri kullanmayınız.** Hasarlı veya değiştirilmiş aküler öngörülemeden şekilde yangın, patlama veya yaralanma tehlikesi içeren tutumlara neden olabilir.
- ▶ **Aküleri açık ateş yakınına koymayınız veya yüksek sıcaklıklara maruz bırakmayınız.** Açık ateş veya 130°C'nin (265°F) üzerinde sıcaklıklar patlama tehlikesine neden olabilir.



- ▶ **Tüm şarj talimatlarına uyunuz ve aküyü veya akülü aleti kullanım kılavuzunda öngörülen sıcaklık aralığının dışında şarj etmeyiniz.** Hatalı şarj veya öngörülen sıcaklık aralığının dışındaki şarj işlemleri akünün zarar görmesine ve yangın tehlikesine neden olabilir.

Servis

- ▶ **Elektrikli el aletinizi sadece kalifiye uzman personele ve sadece orijinal yedek parçalar ile tamir ettiriniz.** Böylece aletin güvenliğinin korunduğundan emin olunur.
- ▶ **Hasarlı akülere bakım yapmayınız.** Akülere yönelik tüm bakım çalışmaları sadece üretici veya yetkili müşteri hizmetleri tarafından yapılmalıdır.

2.2 Kırıcı-delici için güvenlik uyarıları

Tüm çalışmalara yönelik güvenlik uyarıları

- ▶ **Kulaklık takınız.** Aşırı sestten dolayı duyma kaybı meydana gelebilir.
- ▶ **Aletle birlikte verilen ek tutamakları kullanın.** Kontrol kaybı yaralanmalara yol açabilir.
- ▶ **Kullandığınız aletin gizli elektrik hatlarına temas edebileceği yerlerde çalışıyorsanız ek aleti izolasyonlu tutamaklardan tutun.** Elektrik ileten bir hat ile temasta metal parçalar da gerilim altında kalır ve elektrik çarpmasına neden olabilir.

Uzun matkap ucu kullanımına yönelik güvenlik uyarıları

- ▶ **Delme işlemine her zaman düşük devir sayısı ile başlayınız ve matkap ucunun iş parçasına temas etmesini bekleyiniz.** Bunun üzerindeki devir sayılarında matkap ucu hafifçe bükülerek iş parçasına temas etmeden serbestçe dönebilir ve yaralanmalara neden olabilir.
- ▶ **Aşırı baskı uygulamayınız ve sadece matkap ucuna göre uzunlamasına yönde baskı uygulayınız.** Matkap ucu bükülebilir, bu nedenle kırılabilir veya kontrolün kaybedilmesine ve yaralanmalara neden olabilir.

2.3 Kırıcı - delici ek güvenlik uyarıları

Kişilerin güvenliği

- ▶ Ürün ve aksesuar sadece teknik açıdan sorunsuz durumdayken kullanınız.
- ▶ Ürün veya aksesuar üzerinde asla manipülasyon veya değişiklik yapılmamalıdır.
- ▶ Ürünle birlikte verilen ek tutamakları kullanınız. Kontrol kaybı yaralanmalara yol açabilir.
- ▶ Kırma çalışmalarında, çalışılacak yerin karşı tarafında bulunan bölgeyi emniyete alın. Kırılan parçalar dışarı ve / veya yere düşebilir ve diğer kişilerin yaralanmasına sebep olabilir.
- ▶ Ürünü her zaman iki elinizle öngörülen tutamaklardan sıkıca tutunuz. Tutamakları kuru ve temiz tutunuz.
- ▶ Ek aletin gizli elektrik hatlarına temas edebileceği yerlerde çalışıyorsanız, ürünü izole edilmiş tutamak yüzeylerinden tutunuz . Elektrik ileten bir hat ile temasta metal parçalar da gerilim altında kalır ve elektrik çarpmasına neden olabilir.
- ▶ Dönen parçalara temas etmekten kaçınınız - Yaralanma tehlikesi!
- ▶ Ürünün kullanımı sırasında koruyucu gözlük, koruyucu kask, koruyucu kulaklık ve uygun bir solunum koruma maskesi kullanınız.
- ▶ Alet değişimi sırasında koruyucu eldiven takılmalıdır. Ek alete takılan uçlara dokunmak kesik ve yanık türünde yaralanmalara yol açabilir.
- ▶ Koruyucu gözlük kullanın. Etrafa sıçrayan malzeme vücudu ve gözleri yaralayabilir.
- ▶ Taşlama, zımparalama, kesme ve delme işlemleri sonucunda oluşan tozlar tehlikeli kimyasallar içerebilir. Bazı örnekler şunlardır: Kurşun temelli kurşun veya boya; Tuğla, beton ve diğer duvar ürünleri, doğal taş ve diğer silikat içeren ürünler; Meşe, kayın gibi belirli ahşaplar ve kimyasal işlem görmüş ahşap; Asbest veya asbest içerikli malzemeler. Çalışılan malzemenin tehlike sınıfına göre kullanımının ve çevredeki kişilerin maruziyetini belirleyiniz. Maruziyeti güvenli bir seviyede tutmak için bir toz toplama sisteminin kullanımı veya uygun bir solunum koruma maskesinin kullanımı gibi gerekli önlemleri alınız. Maruziyeti azaltmaya yönelik genel önlemler aşağıdakilerdir:
 - ▶ İyi havalandırılan bir alanda çalışma,
 - ▶ Toz ile uzun süreli temastan kaçınma,
 - ▶ Yüz ve vücuttaki tozları giderme,
 - ▶ Koruyucu kıyafet kullanma ve maruz kalan alanları su ve sabunla yıkama.
- ▶ Parmaklarınızdaki kan dolaşımının daha iyi olması için sık sık molalar veriniz ve parmak egzersizleri yapınız. Uzun süren çalışmalarda yüksek titreşim, parmaklar, eller veya bileklerindeki sinir sisteminde veya kan damarlarında rahatsızlıklara neden olabilir.



Elektrik güvenliği

- ▶ Çalışmaya başlamadan önce çalışma alanında üzeri örtülü elektrik kablosu, gaz ve su borusu bulunup bulunmadığını kontrol ediniz. Bir elektrik hattına, bir gaz veya su borusuna zarar verilmesi halinde, ürünün dışındaki metal parçalar elektrik çarpmasına veya patlamaya neden olabilir.

Elektrikli el aletleri ile dikkatli çalışılması ve aletin doğru kullanılması

- ▶ Ek aletin bloke olması halinde, ürünü derhal kapatınız. Ürün yana doğru kayabilir.
- ▶ Yere koymadan önce ürünün tamamen durmasını bekleyiniz.

2.4 Toz modülü için güvenlik uyarıları

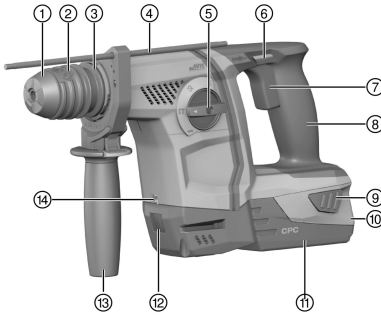
- ▶ Bu dokümanda ve alet üzerinde yer alan tüm güvenlik uyarılarına dikkat ediniz.
- ▶ Delme ve servis çalışmaları sırasında ortaya çıkan artık tozu yüzünüzden ve solunum yollarından uzak tutan bir solunum koruma maskesi kullanınız.
- ▶ Toz modülü monte edilmişken de her zaman **Hilti** kırıcı-delicinin yan tutamağını kullanınız.

2.5 Akülü aletlerin özenli çalıştırılması ve kullanımı

- ▶ Lityum İyon akülerin taşıma, depolama ve kullanımına yönelik özel talimatları dikkate alınız.
- ▶ Aküler, yüksek sıcaklıklarda, doğrudan güneş ışığından ve ateşten uzak tutulmalıdır.
- ▶ Aküler parçalarına ayrılmamalı, ezilmemeli, 80°C (176°F) üzerine ısıtılmamalı veya yakılmamalıdır.
- ▶ Darbe almış, bir metreden daha yüksek bir yerden düşmüş veya başka bir şekilde hasar görmüş aküleri kullanmayınız veya şarj etmeyiniz. Bu durumda her zaman **Hilti servisi** ile irtibat kurunuz.
- ▶ Akü tutulamayacak kadar sıcaksa arızalı olabilir. Pili, yanıcı malzemelere yeterli mesafede, görünür ve yanıcı olmayan bir yere yerleştiriniz. Aküyü soğumaya bırakınız. Akü bir saat sonra hala dokunulamayacak kadar sıcaksa, arızalı demektir. **Hilti servisi** ile iletişim kurunuz.

3 Tanımlama

3.1 Ürüne genel bakış



- ① Tozdan koruma kapağı
- ② Alet bağlantı yeri
- ③ Alet kilit açma sistemi
- ④ Derinlik mesnedi
- ⑤ Fonksiyon seçme şalteri
- ⑥ Çalıştırma kilidi olan sağa/sola dönüş değiştirme şalteri
- ⑦ Kumanda şalteri
- ⑧ Tutamak
- ⑨ Akü için kilit açma düğmeleri
- ⑩ Şarj durumu ve hata göstergesi (Lityum İyon akü)
- ⑪ Akü
- ⑫ Toz modülü bağlantısı TE DRS-6-A(02)
- ⑬ Yan tutamak
- ⑭ Çalışma alanı aydınlatması

3.2 Usulüne uygun kullanım

Açıklanan ürün akülü bir kırıcı-delicidir. Çelikte, ahşapta ve duvarda delme, beton ve duvarda darbeli delme ve çivitaları sıkma ve sökme işlemlerinde kullanılmak üzere tasarlanmıştır. Ürün ayrıca duvarda hafif keskilme işleri ve beton düzeltmek için de kullanılabilir.

- ▶ Bu ürün için sadece B 22 tip serisi **Hilti** Lityum İyon aküler kullanınız.
- ▶ Bu ürün için sadece B22 serisi **Hilti** Lityum İyon aküler kullanınız.

3.3 Lityum İyon akü göstergesi

Lityum İyon akülerin şarj durumu ve aletin arızaları Lityum İyon akülerin göstergesi vasıtasıyla görüntülenir. Lityum İyon akülerin şarj durumu, her iki kilit açma tuşuna hafifçe basarak görüntülenebilir.



Durum	Anlamı
4 LED yanıyor.	Şarj durumu: %75 ile %100 arası
3 LED yanıyor.	Şarj durumu: %50 ile %75'e kadar
2 LED yanıyor.	Şarj durumu: % 25 ile %50'e kadar
1 LED yanıyor.	Şarj durumu: % 10 ile %25 arası
1 LED yanıp sönüyor.	Şarj durumu: < %10

i Kumanda şalterine basılıyken ve kumanda şalteri bırakıldıktan sonra 5 saniye içinde şarj durumu sorgusu yapmak mümkün değildir. Akü göstergesinin LED'leri yanıp söndüğünde lütfen Arızalar bölümündeki uyarıları dikkate alın.

3.4 Teslimat kapsamı

Kırıcı - delici, yan tutamak, derinlik mesnedi, kullanım kılavuzu.

Ürün için izin verilen diğer sistem ürünlerini **Hilti Store**'da veya şu adreste bulabilirsiniz: www.hilti.group

4 Teknik veriler

4.1 Kırıcı-delici

	TE 6-A22
Nominal gerilim	21,6 V
EPTA Procedure 01 uyarınca B228.0 akümülatör dahil ağırlık	3,8 kg
Ölçüm rölanlı devir sayısı	1.050 dev/dak
Beton/duvarda delme çapı (darbeli delme)	4 mm ... 28 mm
Ahşapta delme çapı (tam delici)	3 mm ... 20 mm
Metalde delme çapı (tam delici)	3 mm ... 13 mm

4.2 EN 62841 uyarınca ses bilgisi ve titreşim değerleri

Bu talimatlarda belirtilen ses basıncı ve titreşim değerleri, ilgili normlara uygun bir ölçüm metodu ile ölçülmüştür ve elektrikli el aletlerinin birbirleri ile karşılaştırılması için kullanılabilir. Zorlanmaların geçici olarak değerlendirilmesine de uygundur.

Belirtilen değerler, elektrikli el aletinin ana kullanım alanlarını temsil eder. Elektrikli el aletinin, farklı ek aletlerle veya yetersiz bakım yapılmış şekilde kullanılması durumunda, veriler sapma gösterebilir. Bu durum, toplam çalışma süresi boyunca zorlanmayı belirgin şekilde yükseltebilir.

Doğru bir zorlanma değerlendirmesi için elektrikli el aletinin kapatıldığı veya çalışır konumda olduğu ve ayrıca kullanımda olmadığı zamanlar da dikkate alınmalıdır. Bu durum, toplam çalışma süresi boyunca zorlanmayı belirgin şekilde azaltabilir.

Kullanıcıyı ses ve/veya titreşimin etkilerinden koruyacak ek güvenlik önlemleri belirleyiniz, örneğin: Elektrikli el aletinin ve ek aletlerin bakımının yapılması, ellerin sıcak tutulması, iş akışlarının düzenlenmesi.

Ses bilgileri

Ses gücü seviyesi (L_{WA})	100 dB(A)
Emisyon ses basıncı seviyesi (L_{pA})	89 dB(A)
Emniyetsizlik (ses değerleri) (K_{pA} ve K_{WA})	3 dB(A)

Toplam titreşim değerleri

		TE 6-A22
Beton darbeli delme ($a_{h, HD}$)	B 22/2.6 Li-Ion (02)	19,9 m/sn ²
	B 22/8.0 Li-Ion	17,1 m/sn ²
Beton darbeli delmede emniyetsizlik	B 22/2.6 Li-Ion (02)	2,1 m/sn ²
	B 22/8.0 Li-Ion	1,5 m/sn ²
Keskileme ($a_{h, CHed}$)	B 22/2.6 Li-Ion (02)	10,9 m/sn ²
	B 22/8.0 Li-Ion	12,1 m/sn ²



		TE 6-A22
Keskimede emniyetsizlik	B 22/2.6 Li-Ion (02)	1,5 m/sn ²
	B 22/8.0 Li-Ion	1,5 m/sn ²

4.3 Akü

Akü çalışma gerilimi	21,6 V
İşletim sırasındaki ortam sıcaklığı	-17 °C ... 60 °C
Depolama sıcaklığı	-20 °C ... 40 °C
Şarj başlangıcında akü sıcaklığı	-10 °C ... 45 °C

5 Kullanım

5.1 Çalışma hazırlığı

⚠ İKAZ

Yaralanma tehlikesi kazara çalışmaya başlama nedeniyle!

- ▶ Aküyü takmadan önce ilgili ürünün kapalı konumda olduğundan emin olunuz.
- ▶ Cihazın ayarlarını yapmadan veya aksesuarları değiştirmeden önce aküyü çıkartınız.

Bu dokümanda ve ürün üzerinde bulunan güvenlik ve uyarı bilgilerine dikkat ediniz.

5.2 Akünün yerleştirilmesi 2

⚠ DİKKAT

Yaralanma tehlikesi! Kırıcı-delicinin istemeden çalışmaya başlaması.

- ▶ Aküleri yerleştirmeden önce, kırıcı-delicinin kapalı ve sağa/sola dönüş değiştirme şalterinin orta konumda (çalıştırma kilidi) aktif olduğundan emin olunuz.

1. Aküyü, duyulur şekilde yerine oturana kadar cihaz tutucusuna bastırınız.
2. Akünün alette emniyetli bir şekilde yerleşip yerleşmediğini kontrol ediniz.

5.3 Akünün çıkartılması 3

1. Akünün kilit açma tuşlarına basınız.
2. Aküyü arkaya doğru dışarı çekiniz.

5.4 Yan tutamak montajı 4

⚠ DİKKAT

Yaralanma tehlikesi! Ürün kontrolünün kaybedilmesi.

- ▶ Yan tutamağın doğru monte edildiğinden ve usulüne uygun şekilde sabitlendiğinden emin olunuz. Germe bandının ürünün öngörülen kanalında olduğundan emin olunuz.

1. Yan tutamak tutucusunu (germe bandı) sökmek için tutamağı çeviriniz.
2. Derinlik mesnedini, önden bunun için öngörülen 2 kılavuz deliğine itiniz.
3. Yan tutamak tutucusunu (germe bandı) germek için tutamağı çeviriniz.

5.5 Derinlik mesnedinin montajı ve ayarlanması 5

- ▶ Gerekirse derinlik mesnedini takınız ve ayarlayınız.



5.6 Alet bağlantı yerinin takılması/sökülmesi 6

DİKKAT

Yaralanma tehlikesi! Monte edilen ama kullanılmayan derinlik mesnedi nedeniyle kullanıcıyı engelleme tehlikesi.

- ▶ Derinlik mesnedini aletten çekip çıkarınız.
- ▶ Alet bağlantı yerini takınız / sökünüz.

5.7 Aletin takılması 7

1. Ek aletin giriş ucunu gresle hafifçe yağlayınız.
 - ▶ Sadece **Hilti** marka orijinal gres kullanınız. Yanlış bir gres alette hasara neden olabilir.
2. Ek aleti dayanak yerine kadar alet bağlantı yerine yerleştirip oturtunuz.
3. Aleti yerleştirdikten sonra çekerek güvenli kilitleme durumunu kontrol ediniz.
 - ▶ Ürün kullanıma hazırdır.

5.8 Aletin çıkartılması 8

- ▶ Alet kilidini dayanak noktasına kadar geri çekiniz ve ek aleti çıkartınız.

5.9 Baş hizasının üzerindeki çalışmalar 9

- ▶ Baş hizasının üzerindeki çalışmalar için DCD toz toplama halkasını takınız.

5.10 Keski konumlandırma 10

- ▶ Fonksiyon seçme şalterini → konumuna getiriniz.

6 Çalışma

DİKKAT

Hasar tehlikesi yanlış kullanım nedeniyle!

- ▶ Şalteri dönüş yönü ve/veya fonksiyon seçimi için çalışma esnasında çalıştırmayınız.

Bu dokümanda ve ürün üzerinde bulunan güvenlik ve uyarı bilgilerine dikkat ediniz.

6.1 Fonksiyon seçme şalteri 10

- ▶ Fonksiyon seçme şalterini istenen çalışma konumuna ayarlayınız.
 - ▶ Fonksiyon seçme şalterine çalışma esnasında basılmamalıdır. **Hasar tehlikesi!**

6.2 Sağa/Sola doğru çalışma 11

- ▶ Sağa / sola dönüş değiştirme şalterini istediğiniz dönüş yönüne ayarlayınız.


6.3 Darbesiz delme

- ▶ Fonksiyon seçme şalterini  konumuna getiriniz.

6.4 Darbeli delme

- ▶ Fonksiyon seçme şalterini  konumuna getiriniz.

6.5 Kesileme

- ▶ Fonksiyon seçme şalterini  konumuna getiriniz.
 - ▶ Optimum motor soğutması için sağa rotasyonu (delme yönü) seçiniz.



7 Bakım ve onarım

7.1 Bakım ve onarım

İKAZ

Takılı aküden dolayı yaralanma tehlikesi !

- Tüm bakım ve onarım çalışmalarından önce her zaman aküyü çıkarınız!

Ürün bakımı

- Yapışmış olan kirleri dikkatle çıkartınız.
- Eğer mevcutsa, havalandırma deliklerini kuru ve yumuşak bir fırça ile dikkatlice temizleyiniz.
- Gövdeyi sadece hafif nemli bir temizlik bezi ile temizleyiniz. Plastik parçalara yapışabileceğinden silikon içerikli bakım maddeleri kullanmayınız.
- Ürünün üzerindeki kontak noktalarını temizlemek için temiz ve kuru bir bez kullanınız.

Lityum İyon akülerin bakımı

- Bir aküyü asla havalandırma delikleri tıkalıyken kullanmayınız. Havalandırma deliklerini kuru, yumuşak bir fırça ile dikkatlice temizleyiniz.
- Akünün gereksiz yere toza veya kire maruz kalmamasını sağlayınız. Aküyü asla yüksek neme maruz bırakmayınız (örneğin suya daldırmayınız veya yağmurda bırakmayınız). Bir akünün ıslanması halinde, ona hasarlı bir akü gibi davranınız. Yanıcı olmayan bir kabın içinde izole ediniz ve **Hilti** servisine başvurunuz.
- Aküyü yabancı yağ ve gresten uzak tutunuz. Akünün üzerinde gereksiz yere toz veya kir birikmesine izin vermeyiniz. Aküyü kuru, yumuşak bir fırça veya temiz, kuru bir bezle temizleyiniz. Plastik parçalara yapışabileceğinden silikon içerikli bakım maddeleri kullanmayınız. Akünün kontak noktalarına dokunmayınız ve kontak noktalarına fabrikada uygulanmış olan gresi kesinlikle çıkartmayınız.
- Gövdeyi sadece hafif nemli bir temizlik bezi ile temizleyiniz. Plastik parçalara yapışabileceğinden silikon içerikli bakım maddeleri kullanmayınız.

Bakım

- Görünür tüm parçalarda hasar olup olmadığını ve kumanda elemanlarının sorunsuz şekilde çalışıp çalışmadığını düzenli olarak kontrol ediniz.
- Hasar ve/veya fonksiyon arızaları durumunda ürünü işletmeyiniz. Ürünü gecikmeden **Hilti** servisine tamir ettiriniz.
- Bakım ve onarım çalışmalarından sonra tüm koruma tertibatlarını yerleştiriniz ve bunların fonksiyonlarını sorunsuz olarak yerine getirmekte olup olmadıklarını kontrol ediniz.



Güvenli çalışma için sadece orijinal yedek parçalar ve tüketim malzemeleri kullanınız. **Hilti** tarafından onaylanmış, yedek parçaları, aksesuarları ve sarf malzemelerini **Hilti Store** veya şu adreste bulabilirsiniz: www.hilti.group

7.2 Tozdan koruma kapağının temizlenmesi

- Tozdan koruma kapağını düzenli bir şekilde alet bağlantı yerinden temiz, kuru bir bez ile temizleyiniz.
- Conta ağızını dikkatlice silerek temizleyiniz ve hafifçe **Hilti** yağı ile yağlayınız.
- Conta ağızı hasarlı ise tozdan koruma kapağı mutlaka değiştirilmelidir.

8 Taşıma ve depolama

8.1 Akülü aletlerin ve akülerin taşınması ve depolanması

Taşıma

DİKKAT

Taşıma sırasında aletin istem dışı çalışması !

- Ürünlerinizi her zaman aküler takılı olmadan taşıyınız!
- Aküleri çıkartınız.
- Aküleri kesinlikle sıkıca bağlanmamış koruma ile nakletmeyiniz. Nakliye sırasında, aküler aşırı şok ve titreşimlerden korunmalı ve başka akü kutupları ile temas ederek kısa devreye neden olmaları için, her



türlü iletken malzeme veya diğer akülerden izole edilmiş olmalıdır. **Aküler için yerel taşıma talimatlarını dikkate alınız.**

- ▶ Aküler posta ile gönderilmemelidir. Hasarsız aküleri sevk etmek istemeniz halinde, bir nakliye şirketine başvurunuz.
- ▶ Ürünün ve akülerin hasar görmüş olup olmadığını her kullanımdan önce olduğu gibi uzun taşımaldan önce ve sonra kontrol ediniz.

Depolama



İKAZ

Arızalı veya akan aküler nedeniyle beklenmeyen hasar oluşumu !

- ▶ Ürünlerinizi her zaman aküleri yerleştirmeden depolayınız!
- ▶ Ürünü ve aküleri serin ve kuru bir yerde muhafaza ediniz. Teknik verilerde belirtilen sıcaklık sınır değerlerini dikkate alınız.
- ▶ Aküleri şarj cihazının üzerinde muhafaza etmeyiniz. Şarj işleminden sonra her zaman aküyü şarj cihazından çıkartınız.
- ▶ Aküleri kesinlikle güneşte, ısı kaynakların üzerinde veya cam arkasında muhafaza etmeyiniz.
- ▶ Ürünü ve aküleri çocukların ve yetkisiz kişilerin ulaşamayacağı yerlerde muhafaza ediniz.
- ▶ Ürünün ve akülerin hasar görmüş olup olmadığını her kullanımdan önce olduğu gibi uzun süreli depolamalardan önce ve sonra kontrol ediniz.



9 Arıza durumunda yardım

Bu tabloda listelenmemiş veya kendi başınıza gideremediğiniz arızalarda lütfen yetkili **Hilti** servisimiz ile irtibat kurunuz.

9.1 Kırcı-delici çalışmaya hazır değildir

Arıza	Olası sebepler	Çözüm
Aküdeki LED'ler hiçbir faaliyet göstermiyor.	Akü yerine tamamen takılmamış.	▶ Aküyü çift klik sesi ile yerine oturtunuz.
	Akü deşarj olmuş.	▶ Aküyü değiştiriniz ve boş aküyü şarj ediniz.
	Akü çok sıcak veya çok soğuk.	▶ Aküyü soğuması için bırakınız veya akünün oda sıcaklığına gelmesini sağlayınız.
Aküdeki 1 LED yanıp sönüyor.	Akü deşarj olmuş.	▶ Aküyü değiştiriniz ve boş aküyü şarj ediniz.
	Akü çok sıcak veya çok soğuk.	▶ Aküyü soğuması için bırakınız veya akünün oda sıcaklığına gelmesini sağlayınız.
Aküdeki 4 LED yanıp sönüyor.	Kırcı-delici kısa süre aşırı yüklendi.	▶ Kumanda şalterini bırakınız ve şaltere sonra yeniden basınız.

9.2 Kırcı-delici çalışmaya hazırdır

Arıza	Olası sebepler	Çözüm
Darbe yok.	Kırcı-delici çok soğuk.	▶ Kırcı - deliciyi zemine yerleştiriniz ve rölantide çalıştırınız. Darbe mekanizması çalışıncaya kadar gerektiği kadar tekrarlayınız.
	Fonksiyon seçme şalteri "Darbesiz delme" konumunda  .	▶ Fonksiyon seçme şalterini "Darbeli delme" konumuna getiriniz  .
Kumanda şalterine basılamıyor veya bloke olmuş.	Sağa/sola dönüş değiştirme şalteri orta konumda.	▶ Sağa/sola dönüş değiştirme şalterini sağa veya sola doğru bastırınız.



Arıza	Olası sebepler	Çözüm
Alet mili dönmüyor.	Kırcı-delici elektroniğinin izin verilen çalışma sıcaklığı aşıldı.	► Aleti soğumaya bırakınız.
	Akü deşarj olmuş.	► Aküyü değiştiriniz ve boş aküyü şarj ediniz.
	Fonksiyon seçme şalteri yerine oturmamış veya "Kesikleme" T veya "Keski konumlandırma" - konumunda bulunuyor.	► Fonksiyon seçme şalterini "Darbesiz delme" ⚡ veya "Darbeli delme" ⚡T konumuna getiriniz.
Kırcı-delici otomatik olarak kapanıyor.	Zorlanma emniyeti devreye girer.	► Kumanda şalterini bırakınız. Kırcı-deliciyi soğumaya bırakınız. Kumanda şalterine yeniden basınız. Alet yükünü azaltınız.
Akü normalden daha hızlı boşalıyor.	Çok düşük ortam sıcaklığı.	► Aküyü yavaşça ısıtarak oda sıcaklığına getiriniz.
Akü paketi duyulabilir bir "çift klik" sesi ile yerine oturmuyor.	Akünün kilit tırnakları kirlenmiş.	► Kilit tırnaklarını temizleyiniz ve aküyü yeniden yerine oturtunuz.
Kırcı-delicide veya aküde yoğun ısı oluşması.	Elektrik arızası	► Kırcı-deliciyi hemen kapatınız. Aküyü çıkartınız ve durumunu inceleyiniz. Soğumaya bırakınız. Hilti servisi ile iletişim kurunuz.
	Kırcı-delici aşırı yüklendi.	► Güçlü bir alet seçiniz.
El aleti kilitlenmeden çözülüyor.	Alet bağlantı yeri tam olarak geri çekilmemiş.	► Alet kilidini dayanak noktasına kadar geri çekiniz ve aleti çıkartınız.
El aleti yerinden çıkmıyor.	Kırcı-delici sola dönme konumuna getirilmiş.	► Sağa/sola dönüş değiştirme şalterini sağa doğru çalışma konumuna getiriniz.
	Fonksiyon seçme şalteri "Darbesiz delme" konumunda ⚡ .	► Fonksiyon seçme şalterini "Darbeli delme" konumuna getiriniz ⚡T .

10 Opsiyonel aksesuar

10.1 Toz toplama halkası DCD

Toz toplama halkası DCD, **Hilti** kırcı-delici için aksesuar olarak kullanılır. Baş hizasının üzerindeki çalışmalarda ortaya çıkan tozu çok büyük bir oranda emer ve hızlı ve kolay bir şekilde kırcı-deliciye sabitlenebilir.

10.2 Toz modülü TE DRS-6-A / TE DRS-6-A OSHA

TE DRS-6-A toz modülü **Hilti** kırcı-delici TE 6-A22 için aksesuar olarak kullanılır. Ortaya çıkan tozu çok büyük bir oranda emer ve hızlı ve kolay bir şekilde kırcı-deliciye sabitlenebilir. Toz modülüne bir emme fanı entegre edilmiştir. Bu fan ayrı bir motor tarafından tahriklenir. Kırcı-delicinin çalıştırılması sırasında modül gerekli akımı kırcı-delici aküsünden alır.

Metal ve ahşap zeminlerdeki çalışmalar için bu toz modülü uygun değildir.

Koşullar: TE DRS-6-A OSHA

TE DRS-6-A OSHA adlı ürün OSHA 1926.1153 yönergesinin gerekliliklerini yerine getirir Table 1. Bir filtre temizleme mekanizması ile donatılmıştır.

10.2.1 Toz modülün takılması

Montaj öncesinde kırcı-delicideki ve toz modülündeki sabitleme noktalarında ve elektrik arabirimlerinde toz bulunmadığından ve kolay erişim sağlanabildiğinden emin olunuz.

1. Toz modülünde hasar olup olmadığını kontrol ediniz.
2. Teleskopik kolun rahat hareket edip edemediğini kontrol ediniz.



3. Kırıcı-delicinin sağ/sol hareket şalterini orta konuma getiriniz.
4. Derinlik mesnedini yan tutamaktan çıkarınız.
5. Toz modülünü, yerine oturana kadar öne doğru alete itiniz.
6. Montaj sonrasında toz modülünün yerine doğru oturup oturmadığını kontrol ediniz.

10.2.2 Toz modülüyle delme

1. Toz modülünü çalıştırmak için kırıcı-delicinin kumanda düğmesine basınız.
2. Tam emiş gücüne ulaşılan kadar kumanda düğmesini basılı tutunuz.
3. Emme kafasını zemine göre dikey biçimde yerleştiriniz.
4. Deliği deliniz ve ürünü yavaşça delikten çekiniz, böylece daha fazla toz yakalayabilirsiniz.

10.2.3 Toz kutusunu boşaltma 13



Filtresi tıkalı olan, dolu bir toz torbası ortamda fazla toz oluşumuna neden olabilir ve düzenli aralıklarla boşaltılmalıdır.

8-10 delikten (16 mm x 50 mm) (5/8 inç x 2 inç) sonra toz kutusunu boşaltınız.
Toz oluşumunu minimize etmek için tozu kapalı bir kaptan tutunuz.

1. Aleti yatay konumda tutunuz ve kısa bir süre için çalıştırınız.
 - ▶ Bu sayede toz modülünde biriken toz artıkları toz kutusuna emilir.
2. Toz kutusunun kilit açma düğmesine basınız ve basılı tutunuz.
3. Toz kutusunu aşağı doğru çekerek toz modülünden dışarı çekiniz.
4. Toz kutusunu boşaltınız.
 - ▶ Filtre kirlenmiş.
 - ▶ Filtreyi değiştiriniz.
 - ▶ Filtre temizlenmiş.
5. Boş toz kutusunu aşağıdan toz modülünün içine itiniz ve yerine oturtunuz.

10.2.4 TE-DRS-OSHA filtresini temizleme 14



5 delikten (16 mm x 50 mm) (1/2 inç x 3 inç) sonra filtreyi temizleyiniz.

- ▶ Emme gücü azaldığında, temizleme mekanizmasını bir klik sesi duyana kadar 5'er defa ileri ve geri bastırınız.

10.2.5 Toz modülünün sökülmesi 15

1. Kırıcı-delicinin sağ/sol hareket şalterini orta konuma getiriniz.
2. DRS kilit açma mekanizmasına basınız ve basılı tutunuz.
3. Toz modülünü öne doğru aletten çekiniz.

11 İmha



İKAZ

Usulüne uygun olmayan imha nedeniyle yaralanma tehlikesi! Dışarı çıkan gaz ve sıvılar nedeniyle sağlık sorunları.

- ▶ Hasar görmüş aküleri hiç bir şekilde göndermeyiniz!
- ▶ Kısa devreleri önlemek için, akünün bağlantılarını iletken olmayan bir malzeme ile kapatınız.
- ▶ Aküleri, çocukların ellerine geçmeyecek şekilde imha ediniz.
- ▶ Aküyü size en yakın **Hilti Store**'da imha ediniz veya imha etmek için yetkili şirketinize başvurunuz.

Hilti ürünleri yüksek oranda tekrar kullanılabilen malzemelerden üretilmiştir. Geri dönüşüm için gerekli koşul, usulüne uygun malzeme ayrımıdır. Çoğu ülkede **Hilti** eski aletlerini yeniden değerlendirmek üzere geri alır. Bu konuda **Hilti** müşteri hizmetlerinden veya satış temsilcinizden bilgi alabilirsiniz.



- ▶ Elektrikli el aletlerini, elektronik cihazları ve aküleri evdeki çöplere atmayınız!



12 RoHS (Tehlikeli madde kullanımını kısıtlama direktifi)

Aşağıdaki linkte tehlikeli maddeler tablosunu bulabilirsiniz: qr.hilti.com/r4695.
RoHS tablosunun linkini bu dokümanın sonunda QR kodu olarak bulabilirsiniz.

13 Üretici garantisi

- Garanti koşullarına ilişkin sorularınız için lütfen yerel **Hilti** iş ortağınıza başvurunuz.



1 بيانات بخصوص دليل الاستعمال

1.1 خاص بدليل الاستعمال هذا

- اقرأ دليل الاستعمال قبل التشغيل. يعتبر هذا شرطا للعمل بشكل آمن والاستخدام بدون اختلالات.
- احرص على مراعاة إرشادات الأمان والإرشادات التحذيرية الواردة دليل الاستعمال هذا والمدونة على المنتج.
- احتفظ بدليل الاستعمال دائما مع هذا المنتج، ولا تعطي المنتج لأشخاص آخرين إلا مع إرفاق دليل الاستعمال هذا معه.

2.1 شرع العلامات

1.2.1 إرشادات تحذيرية

تنبه الإرشادات التحذيرية إلى الأخطار الناشئة عند التعامل مع الجهاز. يتم استخدام الكلمات الدليلية التالية:



خطر

خطر!

◀ تشير لخطر مباشر يؤدي لإصابات جسدية خطيرة أو إلى الوفاة.



تحذير

تحذير!

◀ تشير لخطر محتمل قد يؤدي لإصابات جسدية خطيرة أو إلى الوفاة.



احترس:

احترس!

◀ تشير لموقف خطر محتمل يمكن أن يؤدي لإصابات جسدية أو أضرار مادية.

2.2.1 الرموز في دليل الاستعمال

يتم استخدام الرموز التالية في دليل الاستعمال هذا:

يُراعى دليل الاستعمال	
إرشادات الاستخدام ومعلومات أخرى مفيدة.	
التعامل مع مواد قابلة لإعادة التدوير	
لا تتخلص من الأجهزة الكهربائية البطاريات ضمن القمامة المنزلية	
Hilti بطارية أيونات الليثيوم	
Hilti جهاز الشحن	

3.2.1 الرموز في الصور

تستخدم الرموز التالية في الرسوم التوضيحية:

تشير هذه الأعداد إلى الصورة المعنية في بداية دليل الاستعمال هذا.	2
تشير الأرقام في الصور إلى خطوات العمل المهمة أو إلى الأجزاء المهمة لخطوات العمل. يتم إبراز هذه الخطوات أو الأجزاء في النص من خلال الأرقام، على سبيل المثال (3).	3
يتم استخدام أرقام المواضع في صورة العرض العام وهي تشير إلى أرقام تعليق الصورة في فصل عرض عام للمنتج.	11
هذه العلامة من شأنها أن تُثير انتباهك جيدا عند التعامل مع المنتج.	



3.1 الرموز المرتبطة بالمنتج

1.3.1 الرموز

يمكن استخدام الرموز التالية على المنتج:

	الثقب بدون طرق
	الثقب بالطرق (الثقب المطرقي)
	النقر بالإزميل
	تحديد موضع الإزميل
	الدوران جهة اليمين/اليسار
	عدد اللغات الاسمي في الوضع المحايد
	تيار مستمر
	بطارية أيونات الليثيوم
	بطاريات أيونات الليثيوم Hilti المستخدمة من النوع. احرص على مراعاة التعليمات الواردة في الفصل الاستخدام المطابق للتعليمات.
	لا تستخدم البطارية أبدًا كمطرقة.
	لا تدع البطارية تسقط. لا تستخدم بطارية تعرضت لصدمات أو أي نوع آخر من التلفيات.
	يدعم الجهاز تقنية NFC المتوافقة مع أنظمة التشغيل iOS و Android.

4.1 معلومات المنتج

منتجات **HILTI** مصممة للمستخدمين المحترفين ويقصر استعمالها وصيانتها وإصلاحها على الأشخاص المعتمدين والمدربين جيدًا. هؤلاء الأشخاص يجب أن يكونوا قد تلقوا تدريبًا خاصًا على الأخطار الطارئة. قد يتسبب الجهاز وأدواته المساعدة في حدوث أخطار إذا تم التعامل معها بشكل غير سليم فنياً من قبل أشخاص غير مدربين أو تم استخدامها بشكل غير مطابق للتعليمات. يوجد مسمى الطراز والرقم المسلسل على لوحة الصنع.

◀ انقل الرقم المسلسل في الجدول التالي. ستحتاج إلى بيانات المنتج في حالة الاستفسارات الموجهة إلى ممثلينا أو مركز الخدمة.

بيانات المنتج

المثقاب المطرقي	الجهاز TE 6-A22
الجيل	04
الرقم المسلسل	

5.1 بيان المطابقة

نقر على مسؤوليتنا الفردية بأن المنتج المشروع هنا متوافق مع التشريعات والمواصفات المعمول بها. تجد صورة لبيان المطابقة في نهاية هذا المستند.

المستندات الفنية محفوظة هنا:

Hilti Entwicklungsgesellschaft mbH | Zulassung Geräte | Hiltistraße 6 | 86916 Kaufering, DE

2 السلامة

1.2 إرشادات السلامة العامة المتعلقة بالأدوات الكهربائية

⚠ تحذير احرص على قراءة جميع إرشادات السلامة، التوجيهات، الصور التوضيحية والمواصفات الفنية المرفقة مع هذه الأداة الكهربائية. أي تفصيل أو إهمال في الالتزام بالتعليمات التالية قد يتسبب في حدوث صعق كهربائي، نشوب حريق و/أو وقوع إصابات خطيرة.



احتفظ بجميع مستندات إرشادات السلامة والتعليمات لاستخدامها عند الحاجة إليها فيما بعد.
يقصد بمصطلح «الأداة الكهربائية» المذكور في إرشادات السلامة الأدوات الكهربائية المشغلة بالكهرباء (باستخدام كابل الكهرباء) أو الأدوات الكهربائية المشغلة بالبطاريات (بدون كابل الكهرباء).

سلامة مكان العمل

- ◀ حافظ على نطاق عملك نظيفاً ومضاءً بشكل جيد. الفوضى أو أماكن العمل غير المضاءة يمكن أن تؤدي لوقوع حوادث.
- ◀ لا تعمل بالأداة الكهربائية في محيط معرض لخطر الانفجار يتواجد به سوائل أو غازات أو أنواع غبار قابلة للاشتعال. الأدوات الكهربائية تولد شرراً يمكن أن يؤدي لإشعال الغبار والأبخرة.
- ◀ احرص على إبعاد الأطفال والأشخاص الآخرين أثناء استخدام الأداة الكهربائية. في حالة انصراف انتباهك قد تفقد السيطرة على الجهاز.

السلامة الكهربائية

- ◀ يجب أن يكون قابس توصيل الأداة الكهربائية متلائماً مع المقبس. لا يجوز تعديل القابس بأي حال من الأحوال. لا تستخدم قوايس مهايأة مع أدوات كهربائية ذات وصلة أرضي محمية. القوايس غير المعدلة والمقابس الملائمة تقلل من خطر حدوث صدمة كهربائية.
- ◀ تجنب حدوث تلامس للجسم مع أسطح مؤرضة مثل الأسطح الفاصلة بالمواسير وأجهزة التدفئة والمواد الثلجات. ينشأ خطر متزايد من حدوث صدمة كهربائية عندما يكون جسمك متصلاً بالأرض.
- ◀ أبعد الأدوات الكهربائية عن الأمطار أو البلل. تسرب الماء إلى داخل الأداة الكهربائية يزيد من خطر حدوث صدمة كهربائية.
- ◀ لا تستخدم كابل التوصيل لحمل الأداة الكهربائية أو تعليقها أو لسحب القابس من المقبس. احتفظ بكابل التوصيل بعيداً عن السخونة والزيوت والمواف الحادة والأجزاء المتحركة. كبلات التوصيل التالفة أو المتشابكة تزيد من خطر حدوث صعق كهربائي.
- ◀ عندما تعمل بأداة كهربائية في مكان مكشوف، فلا تستخدم سوى كبلات الإطالة المناسبة للعمل في النطاق الخارجي. استخدام كابل إطالة مناسب للعمل في النطاق الخارجي يقلل من خطر حدوث صعق كهربائي.
- ◀ إذا تعذر تجنب تشغيل الأداة الكهربائية في محيط رطب، فاستخدم مفتاح حماية من تسرب التيار. استخدام مفتاح الحماية من تسرب التيار يقلل خطر حدوث صدمة كهربائية.

سلامة الأشخاص

- ◀ كن يقظاً وانتبه لما تفعل وتعامل مع الأداة الكهربائية بتعقل عند العمل بها. لا تستخدم الأداة الكهربائية عندما تكون متعباً أو تحت تأثير المخدرات أو الكحوليات أو العقاقير. فقد يتسبب عدم الانتباه للحظة واحدة أثناء الاستخدام في حدوث إصابات بالغة.
- ◀ ارتد تجهيزات وقاية شخصية وارتد دائماً نظارة واقية. ارتداء تجهيزات وقاية شخصية، مثل قناع الوقاية من الغبار وأخذية الأمان المضادة للانزلاق وخوذة الوقاية أو واقى السمع، تبعاً لنوع واستخدام الأداة الكهربائية، يقلل من خطر الإصابات.
- ◀ تجنب التشغيل بشكل غير مقصود. تأكد أن الأداة الكهربائية مطفأة قبل توصيلها بالكهرباء و/أو بالبطارية وقبل رفعها أو حملها. إذا كان إصبعك على المفتاح عند حمل الأداة الكهربائية أو كان الجهاز في وضع التشغيل عند التوصيل بالكهرباء، فقد يؤدي ذلك لوقوع حوادث.
- ◀ أبعد أدوات الضبط أو مفاتيح ربط البراغي قبل تشغيل الأداة الكهربائية. الأداة أو المفتاح المتواجد في جزء دوار من الجهاز يمكن أن يؤدي لحدوث إصابات.
- ◀ تجنب اتخاذ وضع غير طبيعي للجسم. احرص على أن تكون واقفاً بأمان وحافظ على توازنك في جميع الأوقات. من خلال ذلك تستطيع السيطرة على الأداة الكهربائية بشكل أفضل في المواقف المفاجئة.
- ◀ ارتد ملابس مناسبة. لا ترتد ملابس فضفاضة أو حلي. احرص على أن يكون الشعر والملابس والقفازات بعيدة عن الأجزاء المتحركة. الملابس الفضفاضة أو الحلي أو الشعر الطويل يمكن أن تشبك في الأجزاء المتحركة.
- ◀ إذا أمكن تركيب تجهيزات شفت وتجميع الغبار، فتأكد أنها موصولة ومستخدمة بشكل سليم. استخدام تجهيزات شفت الغبار يمكن أن يقلل الأخطار الناتجة عن الغبار.
- ◀ لا تعتقد بأنك في مأمن عن الخطر ولا تتجاهل تشريعات السلامة المعنية للأدوات الكهربائية، حتى وإن كنت على دراية بالأداة الكهربائية بعد تكرار استخدامها. التعامل مع الجهاز بدون حذر قد يؤدي إلى وقوع إصابات بالغة في جزء من الثانية.

استخدام الأداة الكهربائية والتعامل معها

- ◀ لا تفرط في التعميل على الجهاز. استخدم الأداة الكهربائية المناسبة للعمل الذي تقوم به. استخدام الأداة الكهربائية المناسبة يتيح لك العمل بشكل أفضل وأكثر أماناً في نطاق العمل المقرر.



- ◀ لا تستخدم أداة كهربائية ذات مفتاح تالف. الأداة الكهربائية التي لم يعد يمكن تشغيلها أو إطفائها تمثل خطورة ويجب إصلاحها.
- ◀ اسحب القابس من المقبس و/أو اخلع البطارية القابلة للخلع من الجهاز قبل إجراء عمليات الضبط، أو استبدال أجزاء الملحقات أو عند ترك الجهاز. هذا الإجراء الوقائي يمنع بدء تشغيل الأداة الكهربائية دون قصد.
- ◀ احتفظ بالأدوات الكهربائية غير المستخدمة بعيدا عن متناول الأطفال. لا تسمح باستخدام الجهاز من قبل أشخاص ليسوا على دراية به أو لم يقرءوا هذه التعليمات. الأدوات الكهربائية خطيرة في حالة استخدامها من قبل أشخاص ليست لديهم الخبرة الواجبة.
- ◀ اعتني جيدا بالأدوات الكهربائية والملحقات. افحص الأجزاء المتحركة من حيث أداؤها لوظيفتها بدون مشاكل وعدم انحصارها وافحصها من حيث وجود أجزاء مكسورة أو متعرضة للضرر يمكن أن تؤثر سلبا على وظيفة الأداة الكهربائية. اعمل على إصلاح الأجزاء التالفة قبل استخدام الجهاز. الكثير من الحوادث مصدرها الأدوات الكهربائية التي تم صيانتها بشكل رديء.
- ◀ حافظ على أدوات القطع حادة ونظيفة. تتميز أدوات القطع ذات حواف القطع المادة المعتنى بها بدقة بأنها أقل عرضة للتعثرو أسهل في التعامل.
- ◀ استخدم الأداة الكهربائية والملحقات وأدوات العمل وخلافه طبقا لهذه التعليمات. احرص في هذه الأثناء على مراعاة اشتراطات العمل والمهمة المراد تنفيذها. استخدام الأدوات الكهربائية في تطبيقات غير تلك المقررة لها يمكن أن يؤدي لمواقف خطيرة.
- ◀ حافظ على المقابض ومواقع المسك في حالة جافة ونظيفة وخالية من الزيت والشحم. المقابض ومواقع المسك الانزلاقية تحول دون استعمال الأداة الكهربائية والتحكم بها بشكل آمن في المواقف غير المتوقعة.

استخدام الأداة العاملة بالبطارية والتعامل معها

- ◀ لا تشحن البطارية إلا في أجهزة شحن موصى بها من قبل الجبة الصانعة. بالنسبة لجهاز الشمن المناسب لنوع معين من البطاريات، ينشأ خطر الحريق عند استخدامه مع بطاريات أخرى.
- ◀ لا تضع في الأدوات الكهربائية سوى البطاريات المخصصة لها. استخدام بطاريات أخرى يمكن أن يؤدي لوقوع إصابات وخطر الحريق.
- ◀ أبعد البطارية غير المستخدمة عن مشابك الورق وقطع النقود المعدنية والمفاتيح والمسامير والبراغي أو الأشياء المعدنية الصغيرة الأخرى التي يمكن أن تتسبب في توصيل الملامسين لبعضهما. حدوث قفلة كهربائية بين أطراف توصيل البطارية يمكن أن ينتج عنه حدوث حروق أو نشوب حريق.
- ◀ عند الاستخدام بشكل خاطئ يمكن أن يتسرب سائل من البطارية. تجنب ملامسته. اشطفه بالماء في حالة ملامسته عن طريق الخطأ. إذا وصل السائل للعينين، فتوجه للطبيب علاوة على ذلك. سائل البطارية المتسرب يمكن أن يؤدي لتبيح البشرة أو حدوث حروق.
- ◀ لا تستخدم بطارية تالفة أو مختلفة. البطاريات التالفة أو المختلفة قد تتفاعل مع نفسها بشكل غير متوقع مما يؤدي لنشوب حريق أو حدوث انفجار أو وقوع إصابات.
- ◀ لا تعرض البطارية للنار أو لدرجات حرارة مرتفعة للغاية. حيث قد تؤدي النار ودرجات الحرارة الزائدة عن 130 °م (265 °ف) إلى حدوث انفجار.
- ◀ التزم بكافة التعليمات المعنية بالشحن، ولا تقم أبدا بشحن البطارية أو الأداة العاملة بالبطارية خارج نطاق درجة الحرارة الوارد ذكره في دليل التشغيل. الشمن بشكل خاطئ أو خارج نطاق درجة الحرارة المسموح به قد يتلف البطارية ويزيد من خطر الحريق.

الخدمة

- ◀ اعمل على إصلاح أدواتك الكهربائية على أيدي فنيين معتمدين فقط والاقصر على استخدام قطع الغيار الأصلية. وبذلك تتأكد من الحفاظ على سلامة الجهاز.
- ◀ لا تقم أبدا بصيانة البطاريات التالفة. يجب أن تتم جميع أعمال الصيانة بمعرفة الجبة الصانعة فقط أو من خلال مراكز خدمة العملاء المعتمدين.

2.2 إرشادات السلامة الخاصة بالمطارق

إرشادات السلامة لجميع الأعمال

- ◀ استخدم واقيا للسمع. لذا يرجى مراعاة أن الضجيج الصاخب يمكن أن يُفقد القدرة على السمع.
- ◀ استخدم المقابض الإضافية الموردة مع الجهاز. فقدان السيطرة يمكن أن يؤدي لوقوع إصابات.
- ◀ أمسك الجهاز من مواقع المسك المعزولة عند إجراء أعمال يحتمل فيها أن تتلامس أداة الشغل مع أسلاك كهربائية مخفية. حيث أن ملامسة سلك يسري فيه التيار الكهربائي يمكن أن ينقل الجهد الكهربائي للأجزاء المعدنية بالجهاز ويؤدي لحدوث صدمة كهربائية.



إرشادات السلامة في حالة استخدام ريشة ثقب طويلة

- ابدأ عملية الثقب دائماً بعدد لفات منخفض وعندما تكون ريشة الثقب ملامسة لقطعة الشغل. عند العمل بعدد لفات أعلى يمكن أن تنتهي ريشة الثقب بسهولة، إذا دارت دون تلامس مع قطعة الشغل، وتؤدي إلى وقوع إصابات.
- اضغط على ريشة الثقب بدون إفراط وفي اتجاه طولي فقط. فقد تتعرض ريشة الثقب للانثناء والانكسار من جراء ذلك، أو من الممكن أن تفقد السيطرة عليها وتتسبب في وقوع إصابات.

3.2 إرشادات السلامة الإضافية للمثقاب المطرقي

سلامة الأشخاص

- اقتصر على استخدام المنتج والملحقات وهم في حالة سليمة من الناحية الفنية.
- لا تقم أبداً بأية تدخلات أو تغييرات على المنتج أو الملحقات.
- استخدم المقابض الإضافية الموردة مع المنتج. فقدان السيطرة يمكن أن يؤدي لوقوع إصابات.
- أثناء أعمال الثقب قم بتأمين النطاق الواقع على الجهة المقابلة للعمل. الشظايا المتناثرة يمكن أن تتطاير وأو تسقط وتصيب الآخرين.
- أسك الجهاز دائماً بكلتا اليدين من المقابض المخصصة لذلك. حافظ على جفاف ونظافة المقابض.
- احرص على مسك المنتج من مواضع المسك المعزولة عند إجراء أعمال يحتمل فيها أن تتلامس أداة الشغل مع أسلاك كهربائية مخفية. حيث أن ملامسة سلك يسري فيه التيار الكهربائي يمكن أن ينقل الجهد الكهربائي للأجزاء المعدنية بالجهاز ويؤدي لحدوث صدمة كهربائية.
- تجنب ملامسة الأجزاء الدوارة - خطر الإصابة!
- احرص أثناء استخدام المنتج على ارتداء نظارة واقية وخوذة حماية وواق للسمع وكمامة مناسبة للتنفس.
- قم بارتداء قفازا واقيا أثناء تغيير الأدوات. ملامسة أداة الشغل قد تؤدي لوقوع إصابات بجروح قطعية وإصابة بحروق.
- استخدم واقياً للعينين. الشظايا المتطايرة يمكن أن تصيب الجسم والعيونين.
- يمكن أن يحتوي الغبار الناتج عن التخليج والسنفرة والقطع والثقب على مواد كيميائية خطيرة. بعض الأمثلة: الرصاص أو الدهانات التي تحتوي على الرصاص، القرميد والخرسانة ومنتجات البناء الأخرى وأحجار البناء الطبيعية والمنتجات الأخرى المحتوية على السيليكات، بعض الأخشاب مثل البلوط والزان والأخشاب المعالجة كيميائياً، الأسبستوس أو الغامات المحتوية على الأسبستوس. قم بتحديد مدى تعرض المستخدم والأشخاص المحيطين لفئة خطر الغامات التي يجري العمل عليها. اتخذ التدابير اللازمة للحفاظ على مدى التعرض في مستوى آمن، على سبيل المثال، استخدام نظام تجميع الغبار أو ارتداء كمامة مناسبة للتنفس. تشمل التدابير العامة للحد من مدى التعرض ما يلي:
- العمل في نطاق جيد التهوية،
- تجنب ملامسة الغبار لفترة طويلة،
- إزالة الغبار عن الوجه والجسم،
- ارتداء بزة واقية وغسل المناطق المكشوفة بالماء والصابون.
- خذ قسطاً من الراحة بشكل متكرر وقم بتمارين استرخاء لسريان الدم في الأصابع بشكل أفضل. عند القيام بأعمال لفترات طويلة، فقد تحدث اضطرابات في الأوعية الدموية أو الجهاز العصبي بسبب كثرة الاهتزازات على الأصابع أو الأيدي أو معصم اليد.

السلامة الكهربائية

- قبل بدء الأعمال افحص نطاق العمل من حيث وجود توصيلات كهربائية مدفونة أو مواسير للغاز والماء. الأجزاء المعدنية الخارجية بالمنتج يمكن أن تتسبب في صدمة كهربائية أو انفجار، إذا قمت بإتلاف إحدى توصيلات التيار أو ماسورة الغاز أو الماء.

الاستخدام والتعامل بعناية مع الأدوات الكهربائية

- قم بإيقاف المنتج على الفور، بمجرد تعرض أداة الشغل للإعاقة. يمكن أن ينحرف الجهاز جانباً.
- انتظر حتى يتوقف المنتج قبل تخزينه.

4.2 إرشادات السلامة لوحدة الحماية من الغبار

- احرص على مراعاة جميع إرشادات السلامة الواردة في هذا المستند أو على الجهاز.
- احرص على استخدام كمامة لحماية الوجه ومسارات التنفس من بقايا الغبار المتطاير أثناء الثقب وعند إجراء أعمال الخدعة.
- احرص دائماً على استخدام المقبض الجانبي الخاص بالمثقاب المطرقي من Hilti في حالة تركيب وحدة الحماية من الغبار.



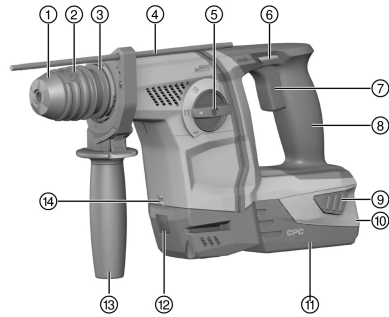
5.2 التعامل بعناية مع الأجهزة العاملة بالبطاريات واستخدامها

- ◀ تراعى التعليمات الخاصة لنقل وتخزين وتشغيل بطاريات أيونات الليثيوم.
- ◀ أبعد البطاريات عن النار ودرجات الحرارة المرتفعة وأشعة الشمس المباشرة.
- ◀ لا يجوز تفكيك البطاريات أو سحقها أو وضعها في درجة حرارة أعلى من 80°م (176°ف) أو حرقها.
- ◀ لا تستخدم أو تشحن البطاريات التي تعرضت لصدمات، أو سقطت من ارتفاع يزيد على متر أو تعرضت لأية أضرار أخرى. في هذه الحالة، تواصل دائماً مع خدمة Hilti.
- ◀ في حالة السفونة الشديدة للبطارية بحيث يتعذر الإمساك بها، فقد تكون تالفة. احرص على وضع البطارية في مكان مرتني وغير قابل للاشتعال مع وجود مسافة كافية من الغامات القابلة للاشتعال. اترك البطارية تبرد. إذا ظلت البطارية ساخنة بعد مرور ساعة لدرجة تعذر لمسها، فهذا يعني أنها تالفة. اتصل بمركز خدمة Hilti.

3 الشرح

1.3 نظرة عامة على المنتج 1

- 1 غطاء الحماية من الغبار
- 2 ظرف تركيب الأدوات
- 3 وسيلة تحرير الأداة
- 4 محدد عمق الثقب
- 5 مفتاح اختيار الوظيفة
- 6 مفتاح تحويل الدوران جهة اليمين/اليسار
- 7 مزود بمنايع تشغيل
- 8 المقبض
- 9 مفاتيح تحرير البطارية
- 10 بيان حالة الشحن وبيان الأخطاء (بطارية أيونات الليثيوم)
- 11 البطارية
- 12 وصلة وحدة الحماية من الغبار - TE DRS-6 A(02)
- 13 مقبض جانبي
- 14 لمبة إضاءة نطاق العمل



2.3 الاستخدام المطابق للتعليمات

المنتج المشروح عبارة عن مثقاب مطرقي مشغل بالبطارية. وهو مخصص للثقب في الفولاذ والأخشاب والجدران وللثقب المطرقي في الخرسانة والجدران، ولربط وحل البراغي. علاوة على ذلك يمكن استخدام المنتج في الأعمال الخفيفة التي يتم فيها استخدام الإزميل للنقر في الجدران والأعمال اللاحقة التي تتم على الخرسانة.

- ◀ اقتصر على استخدام بطاريات أيونات الليثيوم Hilti من النوع B 22 مع هذا المنتج.
- ◀ اقتصر على استخدام بطاريات أيونات الليثيوم Hilti من الفئة B22 لهذا المنتج.

3.3 بيان حالة بطارية أيونات الليثيوم

يتم الإشارة إلى حالة شحن بطارية أيونات الليثيوم واختلافات الجهاز عن طريق مبيّن بطارية أيونات الليثيوم. يتم عرض حالة شحن بطارية أيونات الليثيوم بعد النقر على أحد زرّي تحرير البطارية.

الحالة	الاستعمال
4 لمبات LED تضيء.	حالة الشحن: 75 % إلى 100 %
3 لمبات LED تضيء.	حالة الشحن: 50 % إلى 75 %
لمبتا LED تضيئان.	حالة الشحن: 25 % إلى 50 %
لمبة LED واحدة تضيء.	حالة الشحن: 10 % إلى 25 %
لمبة LED واحدة تومض.	حالة الشحن: > 10 %



لا يمكن الاستعلام عن حالة شحن البطارية عند الضغط على مفتاح التحكم أو مرور 5 ثوانٍ من ترك مفتاح التحكم. في حالة وميض لمبات LED الخاصة بمبين البطارية، يرجى مراعاة الإرشادات الواردة في فصل المساعدة في حالات الاختلالات.



4.3 مجموعة التجهيزات الموردة

المثقاب المطرقي، المقبض الجانبي، محدد العمق، دليل استعمال.
تجد المزيد من منتجات النظام المسموع بها للمنتج الخاص بك لدى متجر **Hilti Store** أو على موقع الإنترنت:
www.hilti.group

4 المواصفات الفنية

1.4 المثقاب المطرقي

الجهاز TE 6-A22	
21.6 فلط	الجهد الكهربائي الاسمي
3.8 كجم	الوزن حسب EPTA Procedure 01 شاملا البطارية B228.0
1,050 لفة/دقيقة	عدد اللفات الاسمي في الوضع المحايد
4 مم ... 28 مم	نطاق الثقب في الخرسانة/الجران (الثقب المطرقي)
3 مم ... 20 مم	نطاق الثقب في الأخشاب (ريشة ثقب مصمتة)
3 مم ... 13 مم	نطاق الثقب في المعادن (ريشة ثقب مصمتة)

2.4 قيم الضوضاء والاهتزاز طبقا للمواصفة EN 62841

تم قياس ضغط الصوت وقيم الاهتزاز الواردة في هذا الدليل طبقا لأحد معايير القياس المحددة ويمكن الاستعانة بها في إجراء مقارنة بين الأدوات الكهربائية مع بعضها البعض. وهي مناسبة أيضا لتقدير حجم المخاطر بصورة أولية.

المواصفات الواردة تتعلق بالاستخدامات الأساسية للأداة الكهربائية. أما إذا تم استخدام الأداة الكهربائية في تطبيقات أخرى مع أدوات شغل مخالفة للمواصفات أو دون صيانة كافية، ففي هذه الحالة قد تختلف المواصفات. وقد يزيد هذا من نسبة المخاطر طوال مدة العمل بصورة واضحة.

وللحصول على تقدير دقيق لحجم المخاطر ينبغي أيضا مراعاة الأوقات التي يتم فيها إيقاف الجهاز أو التي يتم فيها تشغيل الجهاز ولكن دون استخدام حقيقي. وقد يقلل هذا من نسبة المخاطر طوال مدة العمل بصورة واضحة. احرص على اتخاذ إجراءات إضافية للسلامة من شأنها حماية المستخدم من تأثير الضجيج و/أو الاهتزازات مثل: صيانة الأداة الكهربائية وأدوات الشغل والحفاظ على الأيدي في حالة دافئة وتنظيم مراحل العمل.

معلومات الضجيج

100 ديسيبل (A)	مستوى شدة الصوت (L_{WA})
89 ديسيبل (A)	مستوى ضغط الصوت المنبعث (L_{pA})
3 ديسيبل (A)	نسبة التفاوت (قيم الضجيج) (K_{WA} و K_{pA})

قيم الاهتزاز الإجمالية

الجهاز TE 6-A22		
19.9 م/ثانية ²	B 22/2.6 Li-Ion (02)	الثقب المطرقي في الخرسانة ($a_{h, HD}$)
17.1 م/ثانية ²	B 22/8.0 Li-Ion	
2.1 م/ثانية ²	B 22/2.6 Li-Ion (02)	نسبة التفاوت للثقب المطرقي في الخرسانة
1.5 م/ثانية ²	B 22/8.0 Li-Ion	
10.9 م/ثانية ²	B 22/2.6 Li-Ion (02)	نقر بالإنزيميل ($a_{h, CHeg}$)
12.1 م/ثانية ²	B 22/8.0 Li-Ion	
1.5 م/ثانية ²	B 22/2.6 Li-Ion (02)	نسبة التفاوت للنقر بالإنزيميل
1.5 م/ثانية ²	B 22/8.0 Li-Ion	



3.4 البطارية

جهد تشغيل البطارية	21.6 فولت
درجة الحرارة المحيطة أثناء التشغيل	-17° م ... 60° م
درجة حرارة التخزين	-20° م ... 40° م
درجة حرارة البطارية عند بدء الشحن	-10° م ... 45° م

5 الاستعمال

1.5 التحضير للعمل

⚠ تحذير

خطر الإصابة من خلال التشغيل غير المقصود!

- تأكد قبل إدخال البطاريات أن الجهاز المختص مطفأ.
- اخلع البطارية قبل إجراء عمليات ضبط الجهاز أو تغيير أجزاء الملحقات التكميلية.

تراجع إرشادات الأمان والإرشادات التحذيرية الواردة في هذا المستند وعلى الجهاز.

2.5 تركيب البطارية 2

⚠ احترس:

خطر الإصابة! التشغيل غير المقصود للمثقاب المطرقي.

- تأكد قبل تركيب البطارية أن المثقاب المطرقي متوقف وأن مفتاح تحويل الدوران جهة اليمين/اليسار في الوضع الأوسط (مانع التشغيل).

- قم بتركيب البطارية في حامل الجهاز إلى أن تثبت بصوت مسموع.
- تفحص البطارية من حيث ثباتها في موضعها بشكل جيد.

3.5 خلع البطارية 3

- اضغط على أزرار تحرير البطارية.
- اخلع البطارية بجذبها إلى الخلف.

4.5 تركيب المقبض الجانبي 4

⚠ احترس:

خطر الإصابة! فقدان السيطرة على المنتج.

- تأكد أن المقبض الجانبي مركب ومثبت بشكل سليم. تأكد من تواجد شريط الشد في الحز المخصص له بالمنتج.

- أدر المقبض لفةك وسيلة تثبيت (شريط الشد) المقبض الجانبي.
- أدخل محدد العمق من الأمام في الثقيبين الدليليين المخصصين لذلك.
- أدر المقبض لشد وسيلة تثبيت (شريط الشد) المقبض الجانبي.

5.5 تركيب وضبط محدد عمق الثقب 5

- عند الحاجة قم بتركيب محدد عمق الثقب واضبطه.

6.5 تركيب/فك طرف تركيب الأدوات 6

⚠ احترس:

- خطر الإصابة! خطر إعاقة المستخدم من جراء محدد العمق المركب مع أنه غير مستخدم.
- اخلع محدد العمق من الجهاز.

- قم بتركيب/فك طرف تركيب الأدوات.



7.5 تركيب الأداة 7

1. قم بتزليق طرف إدخال أداة الشغل قليلاً.
- ◀ اقتصر على استخدام الشمع الأصلي من Hilti. استخدام شمع خاطئ قد يلحق الضرر بالجهاز.
2. أدخل أداة الشغل في طرف تركيب الأدوات حتى النهاية واطرفها تثبت في موضعها.
3. بعد التركيب اختبر مدى إحكام القفل من خلال شد الأداة.
- ◀ المنتج جاهز للتشغيل.

8.5 إخراج الأداة 8

- ◀ قم بإرجاع وسيلة تأمين الأداة حتى النهاية وأخرج أداة الشغل.

9.5 الأعمال فوق مستوى الرأس 9

- ◀ قم بتركيب حلقة تجميع الغبار DCD لتنفيذ الأعمال فوق مستوى الرأس.

10.5 تحديد موضع الإزميل 10

- ◀ اضبط مفتاح اختيار الوظيفة على هذا الوضع 10.

6 العمل

⚠ احترس:

خطر حدوث أضرار من خلال الاستعمال الخاطئ!

- ◀ لا تقم بالضغط على مفاتيح اتجاه الدوران و/أو اختيار الوظيفة أثناء التشغيل.

تراجع إرشادات الأمان والإرشادات التحذيرية الواردة في هذا المستند وعلى الجهاز.

1.6 مفتاح اختيار الوظيفة 10

- ◀ اضبط مفتاح اختيار الوظيفة على وضع العمل المرغوب..
- ◀ يجب عدم الضغط على مفتاح اختيار الوظيفة أثناء التشغيل. **خطر حدوث أضرار!**

2.6 الدوران جهة اليمين/اليسار 11

- ◀ اضبط مفتاح التحويل يمينا/يسارا في اتجاه الدوران المرغوب.

3.6 الثقب بدون طرق

- ◀ اضبط مفتاح اختيار الوظيفة على هذا الوضع 3.

4.6 الثقب بالطرق

- ◀ اضبط مفتاح اختيار الوظيفة على هذا الوضع 4.

5.6 النقر بالإزميل

- ◀ اضبط مفتاح اختيار الوظيفة على هذا الوضع T.
- ◀ وتبريد المحرك بشكل مثالي، اختر الدوران جهة اليمين (اتجاه دوران الثقب).

7 العناية والصيانة

1.7 العناية والصيانة

⚠ تحذير

خطر الإصابة عند تكون البطارية مركبة!

- ◀ احرص على خلع البطارية دائما قبل جميع أعمال الإصلاح والعناية!



العناية بالمنتج

- احرص على إزالة الاتساخات شديدة الالتصاق مع توخي الحرص.
- في حالة وجودها، قم بتنظيف فتحات التهوية بحرص باستخدام فرشاة جافة وناعمة.
- قم بتنظيف جسم المنتج باستخدام قطعة قماش مبللة بعض الشيء. لا تستخدم مواد عناية محتوية على سيليكون، نظرًا لأنها قد تؤدي إلى تلف الأجزاء البلاستيكية.
- استخدم قطعة قماش نظيفة وجافة لتنظيف ملامسات المنتج.

العناية بطاريات أيونات الليثيوم

- لا تقم مطلقًا باستخدام بطارية ذات فتحات تهوية مسدودة. قم بتنظيف فتحات التهوية بحرص باستخدام فرشاة جافة وناعمة.
- تجنب تعريض البطارية للغبار أو الاتساخات دون داع. لا تقم مطلقًا بتعرض البطارية للرطوبة المرتفعة (على سبيل المثال، غمرها في الماء أو تركها تحت الأمطار).
- في حالة بلل البطارية، تعامل معها كبطارية تالفة. اعزل البطارية في وعاء غير قابل للاشتعال وتوجه إلى مركز خدمة Hilti.
- حافظ على البطارية خالية من الزيت والشحم الخارجي. لا تسمح للغبار أو الاتساخات بالتراكم دون داع على البطارية. قم بتنظيف البطارية باستخدام فرشاة جافة وناعمة أو قطعة قماش نظيفة وجافة. لا تستخدم مواد عناية محتوية على سيليكون، نظرًا لأنها قد تؤدي إلى تلف الأجزاء البلاستيكية.
- لا تلمس ملامسات البطارية ولا تقم بإزالة الشحم الموجود من قبل المصنع عن الملامسات.
- قم بتنظيف جسم المنتج باستخدام قطعة قماش مبللة بعض الشيء. لا تستخدم مواد عناية محتوية على سيليكون، نظرًا لأنها قد تؤدي إلى تلف الأجزاء البلاستيكية.

الصيانة

- احرص بصورة منتظمة على فحص الأجزاء المرئية من حيث وجود أضرار وافحص عناصر الاستعمال من حيث كفاءتها الوظيفية.
- لا تقم بتشغيل الجهاز في حالة وجود أضرار و/أو اختلالات وظيفية. احرص على إصلاح الجهاز على وجه السرعة لدى خدمة Hilti.
- بعد أعمال العناية والإصلاح قم بتركيب جميع تجهيزات الحماية وافحصها من حيث الأداء الوظيفي السليم.

للتنشغيل الآمن اقتصِر على استخدام قطع الغيار الأصلية وخامات الشغل. تجد قطع الغيار وخامات الشغل والملحقات المصرح بها من Hilti للمنتج الخاص بك في متجر **Hilti Store** أو على موقع الإنترنت: www.hilti.group

2.7 تنظيف غطاء الحماية من الغبار

- قم بتنظيف غطاء الحماية من الغبار الموجود على طرف تركيب الأدوات بصفة دورية باستخدام فوطة نظيفة جافة.
- قم بتنظيف شفة الإحكام عن طريق مسحها بحرص و قم بتشحيما مرة أخرى بقليل من شحم Hilti.
- يلزم تغيير غطاء الحماية من الغبار في حالة تلف شفة الإحكام.

8 النقل والتخزين

1.8 نقل وتخزين أدوات الشغل العاملة ببطارية والبطاريات

النقل

⚠ احترس:

التشغيل غير مقصود عند النقل !

- قم بنقل المنتج دائما بدون البطاريات!
- اخلع البطارية/البطاريات.
- لا تقم بنقل البطاريات بكميات كبيرة. ينبغي أثناء النقل حماية البطاريات من الاصطدام العنيف والاهتزازات، وكذلك عزلها عن أية مواد موصلة للكهرباء أو أية بطاريات أخرى، وذلك حتى لا تتلامس مع أقطاب بطاريات أخرى ومن ثم حدوث قفلة كهربائية. احرص على مراعاة تعليمات النقل المحلية للبطاريات.
- لا يجوز إرسال البطاريات عن طريق البريد. توجه إلى شركة شحن، إذا كنت ترغب في إرسال بطاريات غير تالفة.
- افحص المنتج والبطاريات من حيث وجود أضرار قبل كل استخدام وقبل وبعد النقل لمسافة طويلة.



أضرار غير مقصودة بسبب البطاريات التالفة أو التي بها تسريب!

- ◀ قم بتخزين المنتج دائماً بدون البطاريات!
- ◀ احرص على تخزين المنتج والبطاريات في مكان بارد وجاف. احرص على مراعاة القيم الحدية لدرجات الحرارة الواردة في المواصفات الفنية.
- ◀ لا تحتفظ بالبطاريات على جهاز الشحن. قم دائماً بإزالة البطارية من الشاحن بعد انتهاء عملية الشحن.
- ◀ لا تقم أبداً بتخزين البطاريات تحت أشعة الشمس أو في مصادر الحرارة أو خلف الزجاج.
- ◀ احرص على تخزين المنتج والبطاريات والاحتفاظ به بعيداً عن تناول الأطفال والأشخاص غير المصرح لهم.
- ◀ افحص المنتج والبطاريات من حيث وجود أضرار قبل كل استخدام وقبل وبعد التخزين لفترة طويلة.

9 المساعدة في حالات الاختلالات

عند حدوث اختلالات غير مذكورة في الجدول أو يتعذر عليك معالجتها بنفسك، فيرجى التوجه إلى مركز خدمة Hilti.

1.9 لا يكون المثقاب المطرقي جاهزاً للعمل

الخلل	السبب المحتمل	الحل
لا تشير لمبات LED بالبطارية لشيء.	لم يتم إدخال البطارية حتى النهاية.	◀ قم بتثبيت البطارية حتى سماع صوت طقطقة مزدوجة.
	فراغ شحنة البطارية.	◀ قم بتغيير البطارية واشحن البطارية الفارغة.
	البطارية ساخنة للغاية أو باردة للغاية.	◀ اترك البطارية تبرد أو اجعلها تصل إلى درجة حرارة الغرفة.
تومض لمبة LED واحدة بالبطارية.	فراغ شحنة البطارية.	◀ قم بتغيير البطارية واشحن البطارية الفارغة.
	البطارية ساخنة للغاية أو باردة للغاية.	◀ اترك البطارية تبرد أو اجعلها تصل إلى درجة حرارة الغرفة.
تومض 4 لمبات LED بالبطارية.	تحميل زائد على المثقاب المطرقي لفترة قصيرة.	◀ اترك مفتاح التحكم واضغط عليه مجدداً.

2.9 يكون المثقاب المطرقي جاهزاً للعمل

الخلل	السبب المحتمل	الحل
لا يتولد طرق.	المثقاب المطرقي بارد للغاية.	◀ ضع المثقاب المطرقي على الأرض واتركه يدور على الفارغ. عند اللزوم كرر هذه العملية حتى يعمل الطارق.
	مفتاح اختيار الوظيفة مضبوط على وضع "الثقب بدون طرق" .	◀ اضبط مفتاح اختيار الوظيفة على وضع "الثقب المطرقي" .
لا يمكن الضغط على مفتاح التحكم أو المفتاح مقفل.	مفتاح تحويل الدوران جهة اليمين/اليسار في الوضع الأوسط.	◀ اضغط على مفتاح تحويل الدوران جهة اليمين/اليسار إلى اليمين أو اليسار.
بريمة الجهاز لا تدور.	تم تجاوز درجة حرارة التشغيل المسموح بها للوحدة الإلكترونية بالمثقاب المطرقي.	◀ اترك الجهاز يبرد.
	فراغ شحنة البطارية.	◀ قم بتغيير البطارية واشحن البطارية الفارغة.
	مفتاح اختيار الوظيفة غير ثابت أو في وضع "النقر بالإزميل" أو "تحديد موضع الإزميل" .	◀ اضبط مفتاح اختيار الوظيفة على وضع "الثقب بدون طرق" أو "الثقب بالطرق" .



الخلل	السبب المحتمل	الحل
المثقاب المطرقي يتوقف أو توماتيكيا.	وسيلة الحماية من التتميل الزائد تقوم بعملها.	◀ اترك مفتاح التحكم. اترك المثقاب المطرقي يبرد. اضغط مجددا على مفتاح التحكم. قم بتخفيف الحمل عن الجهاز.
شحنة البطارية تفرغ بشكل أسرع من المعتاد.	درجة حرارة محيطية شديدة الانخفاض.	◀ قم بتسخين البطارية ببطء على درجة حرارة الغرفة.
البطارية لا تثبت بصوت "طققة مزدوجة" مسموع.	أطراف تثبيت البطارية متسخة.	◀ قم بتنظيف أطراف التثبيت ثم قم بتركيب البطارية مجددا.
تنشأ سخونة شديدة بالمثقاب المطرقي أو البطارية.	عطل كهربائي	◀ قم بإيقاف المثقاب المطرقي على الفور. قم بإخراج البطارية وافحصها جيدا. واتركها تبرد. اتصل بخدمة Hilti.
	تتميل زائد على المثقاب المطرقي.	◀ اختر جهاز ذات قدرة أعلى.
الأداة لا تتحرر من وضع إحكام التثبيت.	لم تقم بإرجاع طرف تركيب الأدوات حتى النهاية.	◀ قم بإرجاع وسيلة إحكام قفل الأداة حتى النهاية وأخرج الأداة.
الأداة لا تثقب.	المثقاب المطرقي مضبوط على وضع الدوران جهة اليسار.	◀ اجعل مفتاح تحويل الدوران جهة اليمين/اليسار على وضع الدوران جهة اليمين.
	مفتاح اختيار الوظيفة مضبوط على وضع "الثقب بدون طرق"	◀ اضبط مفتاح اختيار الوظيفة على وضع "الثقب المطرقي" .

10 ملحق اختياري

1.10 حلقة تجميع الغبار DCD

تستخدم حلقة تجميع الغبار DCD كملحق للمثقاب المطرقي Hilti. فهي تجمع نسبة كبيرة من الغبار الناشئ أثناء إجراء أعمال فوق مستوى الرأس، ويمكن تثبيتها ببساطة وسرعة على المثقاب المطرقي.

2.10 وحدة الحماية من الأتربة TE DRS-6-A / TE DRS-6-A OSHA

يتم استخدام وحدة الحماية من الغبار TE DRS-6-A كملحق اختياري من Hilti مناسب للمثقاب المطرقي TE A22-6. هذه الوحدة قادرة على تجميع نسبة كبيرة من الغبار الناشئ كما يمكن تثبيتها بالمثقاب المطرقي بشكل سهل وسريع. وتوجد مروحة شفط مدمجة بوحدة الحماية من الغبار. ويتم تشغيلها بمحرك خاص بها. وعند تشغيل المثقاب المطرقي تستمد الوحدة تيارها من بطارية المثقاب المطرقي. وحدة الحماية من الغبار غير مناسبة للأعمال في المعادن والأخشاب.

الشروط: TE DRS-6-A OSHA

الجهاز TE DRS-6-A OSHA يفي بمتطلبات المواصفة OSHA 1926.1153 Table 1. وهو مجهز بآلية تنظيف الفلتر.

1.2.10 تركيب وحدة الحماية من الأتربة 12

تأكد قبل التركيب أن مواضع التثبيت والوصلات البيئية الكهربائية بالمثقاب المطرقي وبوحدة الحماية من الغبار خالية من الغبار وتعمل بسلاسة.

1. افحص وحدة الحماية من الغبار من حيث وجود أضرار.
2. افحص الذراع التليسكريبي من حيث سلاسة الحركة.
3. اجعل مفتاح الدوران جهة اليمين/اليسار بالمثقاب المطرقي في الوضع الأوسط.
4. اخلع محدد عمق الثقب من المقبض الجانبي.
5. أدخل وحدة الحماية من الغبار في الجهاز من الأمام إلى أن تستقر في موضعا.
6. تأكد بعد التركيب أن وحدة الحماية من الغبار مثبتة بشكل صحيح.

2.2.10 الثقب مع وحدة الحماية من الغبار

1. لبدء تشغيل وحدة الحماية من الغبار، اضغط على زر التحكم في المثقاب المطرقي.



2. احتفظ بزر التحكم مضغوطاً، إلى أن يتم الوصول إلى قدرة الشفط بالكامل.
3. ضع رأس الشفط بشكل عمودي على موضع الشغل.
4. قم بعمل الثقب واسحب المنتج ببطء من الثقب لجمع أكبر قدر ممكن من الغبار.

3.2.10 تفريغ صندوق الغبار 13

i امتلاء صندوق الغبار بالكامل أو انسداد الفلتر قد يؤدي إلى تصاعد كمية كبيرة من الغبار، ويجب مراعاة تفريغه بصفة منتظمة.
احرص على تفريغ صندوق الغبار بعد عمل من 8-10 ثقب (16 مم x 50 مم) (5/8 بوصة x 2 بوصة).
للحد من تصاعد الغبار إلى أدنى درجة، احتفظ بالغبار في وعاء مغلق.

1. احتفظ بالجهاز في وضع أفقي واركبه بدور لفترة قصيرة.
 - ◀ ومن خلال ذلك يتم شفط الأتربة المتراكمة في وحدة الحماية من الغبار إلى صندوق الغبار.
2. اضغط على زر تمرير صندوق الغبار واحتفظ به مضغوطاً.
3. اسحب صندوق الغبار إلى أسفل لإخراجه من وحدة الحماية من الغبار.
4. قم بتفريغ صندوق الغبار.
 - ◀ الفلتر متسخ.
 - ◀ قم بتغيير الفلتر.
 - ◀ الفلتر خال من أية اتساخات.
5. أدخل صندوق الغبار من أسفل في وحدة الحماية من الغبار إلى أن يثبت.

4.2.10 تنظيف وحدة TE-DRS-OSHA 14

i قم بتنظيف الفلتر بعد عمل 5 ثقب (16 مم x 50 مم) (1 / 2 بوصة x 3 بوصة).

◀ عندما تنخفض قدرة الشفط، اضغط على آلية التنظيف 5 مرات للأمام وللخلف، إلى أن تسمع صوت طقطقة.

5.2.10 فك وحدة الحماية من الأتربة 15

1. اجعل مفتاح الدوران جهة اليمين/اليسار بالمشابك المطرقي في الوضع الأوسط.
2. اضغط على زر تمرير وحدة DRS واحتفظ به مضغوطاً.
3. اخلع وحدة الحماية من الغبار من الجهاز بجذبها إلى الأمام.

11 التكيين

تحذير 11

خطر الإصابة من جراء التكيين غير المطابق للتعليمات! خطر على الصحة من جراء الغازات والسوائل المتسربة.

- ◀ لا تقم بإرسال أو توريد بطاريات تالفة!
- ◀ قم بتغطية التوصيلات باستخدام مادة غير موصلة للكهرباء وذلك لتجنب حدوث قفلات كهربائية.
- ◀ تخلص من البطاريات بحيث لا تصل إلى متناول الأطفال.
- ◀ تخلص من البطارية لدى متجر **Hilti Store** أو توجه إلى مركز التخلص من النفايات المختص.

منتجات **Hilti** مصنوعة بنسبة كبيرة من مواد قابلة لإعادة التدوير. يشترط لإعادة التدوير أن يتم فصل الغامات بشكل سليم فينبا. في كثير من الدول تقوم **Hilti** باستعادة جهازك القديم لإعادة الانتفاع به. توجه بأستلكتك لخدمة عملاء **Hilti** أو لمستشار المبيعات.

◀ لا تلق الأدوات الكهربائية، الأجهزة الإلكترونية والبطاريات ضمن القمامة المنزلية!

12 RoHS (Richtlinie zur Beschränkung der Verwendung gefährlicher Stoffe)

.Unter folgendem Link finden Sie die Tabelle gefährlicher Stoffe: qr.hilti.com/r4695
.Einen Link zur RoHS-Tabelle finden Sie am Ende dieser Dokumentation als QR-Code



◀ في حالة وجود أية استفسارات بخصوص شروط الضمان، يرجى التوجه إلى وكيل Hilti المحلي التابع لك.



Originali naudojimo instrukcija

1 Informacija apie naudojimo instrukciją

1.1 Apie šią naudojimo instrukciją

- Prieš pradėdami eksploatuoti, perskaitykite šią naudojimo instrukciją. Tai yra saugaus darbo ir patikimo naudojimo sąlyga.
- Laikykitės saugos ir įspėjamųjų nurodymų, pateiktų šioje naudojimo instrukcijoje ir ant prietaiso.
- Šią naudojimo instrukciją visada laikykite kartu su prietaisu ir prietaisą kitiems asmenims perduokite tik kartu su šia naudojimo instrukcija.

1.2 Ženklų paaiškinimas

1.2.1 Įspėjantieji nurodymai

Įspėjantieji nurodymai įspėja apie pavojus, gresiančius eksploatuojant prietaisą. Naudojami šie signaliniai žodžiai:

PAVOJUS

PAVOJUS !

- ▶ Šis žodis vartojamas norint įspėti apie tiesiogiai gresiantį pavojų, kurio pasekmės yra sunkūs kūno sužalojimai arba žūtis.

ĮSPĖJIMAS

ĮSPĖJIMAS !

- ▶ Šis žodis vartojamas norint įspėti apie galimai gresiantį pavojų, kurio pasekmės gali būti sunkūs kūno sužalojimai arba žūtis.

ATSARGIAI

ATSARGIAI !

- ▶ Šis žodis vartojamas potencialiai pavojingai situacijai žymėti, kai yra kūno sužalojimo arba materialinių nuostolių grėsmė.

1.2.2 Naudojimo instrukcijoje naudojami simboliai

Šioje naudojimo instrukcijoje naudojami tokie simboliai:

	Laikykitės naudojimo instrukcijos
	Naudojimo nurodymai ir kita naudinga informacija
	Rodo, kad juo paženklintą medžiagą galima perdirbti
	Elektrinių prietaisų ir akumuliatorių nemesti į buitines atliekas
	Hilti ličio jonų akumulatorius
	Hilti Kroviklis

1.2.3 Simboliai iliustracijose

Iliustracijose naudojami šie simboliai:

	Šis skaitmenys nurodo atitinkamą paveikslėlį šios naudojimo instrukcijos pradžioje.
3	Numeracija paveikslėliuose nurodo svarbius darbinius veiksmus arba darbiniais veiksmais svarbias konstrukcines dalis. Tekste šie darbiniai veiksmai arba konstrukcinės dalys išskirtos atitinkamais numeriais, pvz., (3) .
	Pozicijų numeriai naudojami paveikslėlyje Apžvalga – jie nurodo skyrelyje Prietaiso vaizdas esančių paaiškinimų numerius.





Šiuo ženklu siekiama atkreipti ypatingą dėmesį į naudojimąsi šiuo prietaisu.

1.3 Specifiniai prietaiso simboliai

1.3.1 Simboliai

Ant prietaiso gali būti naudojami šie simboliai:

	Gręžimas be smūgiavimo
	Gręžimas smūgiuojant (smūginis gręžimas)
	Kirtimas kalnu
	Kalto padėties nustatymas
	Dešininis / kairinis sukimasis
	Nominalus tuščiosios eigos sukimosi greitis
	Nuolatinė srovė
	Li-Ion Ličio jonų akumuliatorius
	Naudotas Hilti serijos ličio jonų akumuliatorius. Atkreipkite dėmesį į duomenis skyriuje Naudojimas pagal paskirtį .
	Niekada nenaudokite akumuliatoriaus kaip smūginio įrankio.
	Saugokite, kad akumuliatorius nenukristų. Nenaudokite akumuliatoriaus, kuris buvo sutrenktas arba kaip nors kitaip pažeistas.
	Prietaisas palaiko NFC technologiją, suderinamą su „iOS“ ir „Android“ platformomis.

1.4 Informacija apie prietaisą

HILTI gaminiai yra skirti profesionalams, todėl juos naudoti, techniškai prižiūrėti ir remontuoti leidžiama tik įgaliotam instruktui personalui. Šis personalas turi būti supažindintas su visais galimais pavojais. Neapmokyto personalo, netinkamai arba ne pagal paskirtį naudojamas prietaisas ir jo reikmenys gali kelti pavojų.

Tipas ir serijos numeris yra nurodyti firminėje duomenų lentelėje.

- ▶ Serijos numerį perkelkite į toliau nurodytą lentelę. Kreipdamiesi su prietaisu susijusiais klausimais į mūsų atstovybę ar techninės priežiūros centrą, visada nurodykite šiuos prietaiso duomenis.

Prietaiso duomenys

Perforatorius	TE 6-A22
Karta	04
Serijos Nr.	

1.5 Atitikties deklaracija

Prisiimdami visą atsakomybę pareiškiame, kad čia yra aprašytas gaminys atitinka galiojančias direktyvas ir normas. Atitikties deklaracijos kopiją rasite šios instrukcijos gale.

Techninė dokumentacija saugoma čia:

Hilti Entwicklungsgesellschaft mbH | Zulassung Geräte | Hiltistraße 6 | 86916 Kaufering, DE



2.1 Bendrieji saugos nurodymai dirbantiems su elektriniais įrankiais

⚠️ IŠSPĖJIMAS Perskaitykite visus ant šio elektrinio įrankio esančius saugos nurodymus, instrukcijas, paveikslėlius ir techninius duomenis. Šių nurodymų nesilaikymas gali tapti elektros smūgio, gaisro ir / arba sunkių sužalojimų priežastimi.

Išsaugokite visus saugos nurodymus ir instrukcijas, kad galėtumėte į juos pažvelgti ateityje.

Saugos nurodymuose vartojama sąvoka „elektrinis įrankis“ apibrėžiami iš elektros tinklo maitinami elektriniai įrankiai (turintys maitinimo kabelį) ir iš akumuliatoriaus maitinami elektriniai įrankiai (be maitinimo kabelio).

Sauga darbo vietoje

- ▶ **Pasirūpinkite, kad darbo vieta visada būtų švari ir gerai apšviesta.** Netvarkinga ar blogai apšviesta darbo vieta gali tapti nelaimingų atsitikimų priežastimi.
- ▶ **Nenaudokite elektrinio įrankio sprogoje aplinkoje, kurioje yra degių skysčių, dujų arba dulkių.** Veikiantys elektriniai įrankiai kibirkščiuoja, ir kibirkštys gali uždegti dulkes arba susikaupusius garus.
- ▶ **Dirbdami su elektriniu įrankiu, neieškite darbo zonoje būti vaikams ir pašaliniam asmenims.** Atitraukę dėmesį nuo darbo, galite nebesuvaldyti prietaiso.

Apsauga nuo elektros

- ▶ **Prietaiso maitinimo kabelio kištukas turi atitikti elektros lizdo tipą.** Kištuko jokiu būdu negalima keisti. Nenaudokite tarpinių kištukų kartu su elektriniais įrankiais, turinčiais apsauginį įžeminimą. Nepakeisti kištukai ir tinkami elektros lizdai mažina elektros smūgio riziką.
- ▶ **Venkite kūno kontakto su įžemintais paviršiais, pvz., vamzdžiais, šildytuvais, viryklėmis ir šaldytuvais.** Kai žmogaus kūnas yra įžemintas, padidėja elektros smūgio tikimybė.
- ▶ **Elektrinius įrankius saugokite nuo lietaus ir drėgmės.** Į elektrinį įrankį patekus vandens, padidėja elektros smūgio rizika.
- ▶ **Nenaudokite elektros maitinimo kabelio ne pagal paskirtį, t. y. neneškite elektrinio įrankio paėmę už kabelio, nekabinkite jo ant kabelio, netraukite už kabelio, norėdami ištraukti kištuką iš elektros lizdo.** Elektros maitinimo kabelį saugokite nuo karščio, alyvos, aštrių briaunų ar judančių dalių. Pažeisti arba susipynę elektros maitinimo kabeliai didina elektros smūgio riziką.
- ▶ **Jeį su elektriniu įrankiu dirbate lauke, naudokite tik tokius ilginimo kabelius, kurie tinka ir lauko darbams.** Naudojant lauko darbams tinkančius ilginimo kabelius, mažėja elektros smūgio rizika.
- ▶ **Jeigu elektrinio įrankio naudojimo drėgnoje aplinkoje negalima išvengti, į elektros tinklą jįjunkite per apsauginę nuotėkio relę.** Apsauginė nuotėkio relė mažina elektros smūgio riziką.

Žmonių sauga

- ▶ **Dirbdami su elektriniu įrankiu, būkite atidūs, sutelkite dėmesį į darbą ir vadovaukitės sveika nuovoka.** Elektrinio įrankio nenaudokite, jeigu esate pavargę arba apsvaigę nuo narkotinių medžiagų, alkoholio ar vaistų. Neatidumo akimirka dirbant su elektriniu įrankiu gali tapti rimtų sužalojimų priežastimi.
- ▶ **Naudokite asmenines apsaugos priemones ir visuomet užsidėkite apsauginius akinius.** Naudojant asmenines apsaugos priemones, pvz., respiratorių, neslystančius apsauginius batus, apsauginį šalną, ausines ir kt., priklausomai nuo elektrinio įrankio tipo ir naudojimo, mažėja rizika susižaloti.
- ▶ **Saugokitės, kad neįjungtumėte prietaiso atsitiktinai.** Prieš prijungdami prie elektros maitinimo tinklo, įdėdami akumuliatorių, imdami į rankas ar nešdami, įsitikinkite, kad elektrinis įrankis yra išjungtas. Jeigu nešdami elektrinį įrankį pirštą laikysite ant jungiklio arba įrankį įjungsite į elektros tinklą tuomet, kai jungiklis nėra išjungtas, gali įvykti nelaimingas atsitikimas.
- ▶ **Prieš įjungdami elektrinį įrankį, pašalinkite iš jo reguliavimo įrankius ar veržlinius raktus.** Besisukančioje prietaiso dalyje esantis įrankis ar paliktas raktas gali tapti sužalojimų priežastimi.
- ▶ **Venkite nepatogių kūno padėčių.** Dirbdami stovėkite tvirtai ir visada išlaikykite kūno pusiausvyrą. Taip galėsite geriau kontroliuoti elektrinį įrankį netikėtose situacijose.
- ▶ **Vilkėkite tinkamą aprangą. Nevilkėkite plačių drabužių, nesidėkite papuošalų.** Saugokite plaukus, drabužius ir pirštines nuo besisukančių prietaiso dalių. Laisvus drabužius, papuošalus ir ilgus plaukus gali įtraukti besisukančios prietaiso dalys.
- ▶ **Jeį yra numatyta galimybė prijungti dulkių nusiurbimo ar surinkimo įrenginius, visada įsitikinkite, kad jie yra prijungti ir tinkamai naudojami.** Naudojant dulkių nusiurbimo įrenginį, gali sumažėti dulkių keliamo grėsmė.
- ▶ **Neturėkite iliuzijų, kad visada esate saugūs, ir, skaitydami naudojimo instrukcijas, nepraleiskite skyrelių apie saugų darbą su elektriniais įrankiais, net jeigu per ilgus naudojimo metus esate su savo elektriniu įrankiu susipažinę.** Neatsargus veiksmas per sekundės dalį gali tapti sunkių sužalojimų priežastimi.



Elektrinio įrankio naudojimas ir elgesys su juo

- ▶ **Prietaiso neperkraukite.** Naudokite Jūsų darbui tinkamą elektrinį įrankį. Su tinkamu elektriniu įrankiu dirbsite geriau ir saugiau, jei neviršysite nurodytos galios.
- ▶ **Nenaudokite elektrinio įrankio su sugedusiu jungikliu.** Elektrinis įrankis, kurio nebegalima įjungti ar išjungti, yra pavojingas ir jį reikia remontuoti.
- ▶ **Prieš prietaisą nustatydami, keisdami reikmenis ar tiesiog padėdami į šalį, visuomet ištraukite maitinimo kabelio kištuką iš elektros lizdo ir / arba iš prietaiso išimkite akumuliatorių.** Ši atsargumo priemonė leis išvengti netikėto elektrinio įrankio įsijungimo.
- ▶ **Nenaudojamus elektrinius įrankius saugokite vaikams nepasiekiamoje vietoje. Neleiskite prietaisui naudotis asmenims, kurie nėra su juo susipažinę arba nėra perskaitę šios instrukcijos.** Elektriniai įrankiai yra pavojingi, kai juos naudoja patirties neturintys asmenys.
- ▶ **Elektrinius įrankius ir reikmenis rūpestingai prižiūrėkite.** Tikrinkite, ar judančios elektrinio įrankio dalys tinkamai funkcionuoja ir niekur nekliūva, ar nėra sulūžusių ir pažeistų dalių, kurios blogintų įrankio veikimą. Prieš naudojimą pažeistos prietaiso dalys turi būti suremontuotos. Blogai prižiūrimi elektriniai įrankiai yra daugelio nelaimingų atsitikimų priežastis.
- ▶ **Pjovimo įrankiai visuomet turi būti aštrūs ir švarūs.** Rūpestingai prižiūrėti pjovimo įrankiai su aštriomis pjovimo briaunomis mažiau stringa ir yra lengviau valdomi.
- ▶ **Elektrinį įrankį, reikmenis, keičiamuosius įrankius ir t. t. naudokite pagal šias instrukcijas. Taip pat atsižvelkite į darbo sąlygas ir atliekamo darbo pobūdį.** Elektrinius įrankius naudojant ne pagal paskirtį, gali kilti pavojingos situacijos.
- ▶ **Prižiūrėkite rankenas, kad jos ir jų laikymo paviršiai visada būtų sausi, švarūs ir neriebaluoti.** Slidžios rankenos ir jų laikymo paviršiai negali užtikrinti elektrinio įrankio saugaus naudojimo ir valdymo kontrolės nenumatytose situacijose.

Akumulatorinio įrankio naudojimas ir elgesys su juo

- ▶ **Akumuliatoriams įkrauti naudokite tik tuos kroviklius, kuriuos rekomenduoja gamintojas.** Kroviklį, tinkantį tik nurodytiems akumuliatorių tipams, naudojant kitiems akumuliatoriams įkrauti, kyla gaisro pavojus.
- ▶ **Elektriniuose įrankiuose naudokite tik konkrečiai jiems skirtus akumuliatorius.** Naudojant kitokius akumuliatorius, kyla pavojus susižaloti ir sukelti gaisrą.
- ▶ **Nenaudojamo akumuliatoriaus nelaikykite šalia sąvaržėlių, monetų, raktų, vinių, varžtų ar kitokių smulkių metalinių daiktų, kurie galėtų trumpai sujungti akumuliatoriaus kontaktus.** Trumpai sujungus akumuliatoriaus kontaktus, yra pavojus nusideginti ar sukelti gaisrą.
- ▶ **Netinkamai naudojant akumuliatorių, iš jo gali ištėkėti skystis. Venkite kontakto su šiuo skysčiu.** Jei skysčio atsitiktinai pateko ant odos, nuplaukite ją vandeniu, jei pateko į akis - gerai praplaukite jas vandeniu ir nedelsdami kreipkitės į gydytoją. Akumuliatoriaus skystis gali sudirginti arba chemiškai nudeginti odą.
- ▶ **Nenaudokite pažeisto arba perdirbto akumuliatoriaus.** Pažeisti arba perdirbti akumuliatoriai gali funkcionuoti nenumatyta, todėl gali kelti gaisro, sprogimo ar sužalojimų pavojų.
- ▶ **Akumuliatorių saugokite nuo ugnies ir per aukštos temperatūros.** Ugnies arba didesnės kaip 130 °C (265 °F) temperatūros veikiamas akumuliatorius gali sprogti.
- ▶ **Laikykites visų įkrovimo instrukcijų ir akumuliatorių arba akumuliatorinį įrankį visada įkraukite tik eksploatacijoje nurodytame temperatūrų diapazone.** Netinkamas įkrovimas arba įkrovimas už leistino temperatūrų diapazono ribų gali sugadinti akumuliatorių ir padidinti gaisro pavojų.

Techninė priežiūra

- ▶ **Savo elektrinį įrankį patikėkite remontuoti tik kvalifikuotam specialistui, tam jis turi naudoti tik originalias atsargines dalis.** Taip galima užtikrinti, kad bus išlaikytas prietaiso naudojimo saugumas.
- ▶ **Niekada nevykdykite pažeistų akumuliatorių techninės priežiūros.** Bet kokią akumuliatorių techninę priežiūrą leidžiama vykdyti tik gamintojui arba įgaliotoms klientų aptarnavimo įmonėms.

2.2 Saugos nurodymai smūginiams įrankiams

Saugos nurodymai visiems darbams

- ▶ **Dirbdami užsidėkite ausines.** Triukšmas gali pakenkti klausai.
- ▶ **Naudokite prietaiso komplekte esančias papildomas rankenas.** Prietaisui tapus nebevaldomam, galite susižaloti.
- ▶ **Vykdydami darbus, kurių metu keičiamasis įrankis gali paliesti paslėptus elektros laidus, prietaisą laikykite paėmę už izoliuotų rankenų paviršių.** Dėl kontakto su laidais, kuriais teka elektros srovė, metalinėse prietaiso dalyse taip pat gali atsirasti įtampa, todėl kyla elektros smūgio pavojus.



Saugos nurodymai dėl ilgų grąžtų naudojimo

- ▶ **Gręžti visada pradėkite nedideliu sukimosi greičiu ir tik tada, kai grąžtas jau liečia ruošinį.** Jeigu, neturėdamas kontakto su ruošiniu, grąžtas gali laisvai sukintis, jis gali šiek tiek sulinkti ir sužaloti.
- ▶ **Grąžtą spauskite tik išilgine kryptimi, tačiau spaudimas neturi būti per didelis.** Grąžtai gali sulinkti ir dėl to lūžti arba tapti nebevaldomi ir sužaloti.

2.3 Papildomi saugos nurodymai dirbantiems su perforatoriumi**Žmonių sauga**

- ▶ Prietaisą ir priedus naudokite tik tada, kai jie yra techniškai tvarkingi.
- ▶ Prietaisą ir priedus draudžiama keisti ar atlikti kitokius jų pakeitimus.
- ▶ Naudokite prietaiso komplekte esančias papildomas rankenas. Prietaisui tapus nebevaldomam, galite susižaloti.
- ▶ Atlikdami sienų ar grindų pragręžimo ar prakirtimo darbus, apsaugokite kitoje pusėje esančią zoną. Medžiagos skeveldros gali iškristi ir / arba nukristi ir sužaloti kitus žmones.
- ▶ Prietaisą visada laikykite tvirtai, abiem rankomis paėmę už tam skirtų rankenų. Rankenos visada turi būti sausas ir švarios.
- ▶ Vykdydami darbus, kurių metu keičiamasis įrankis gali paliesti paslėptus elektros laidus, prietaisą laikykite paėmę už izoliuotų rankenų paviršių. Dėl kontakto su laidais, kuriais teka elektros srovė, metalinėse prietaiso dalyse taip pat gali atsirasti įtampa, todėl kyla elektros smūgio pavojus.
- ▶ Venkite liesti besisukančias prietaiso dalis – susižalojimo pavojus!
- ▶ Dirbdami su prietaisu, dėvėkite apsauginius akinius, apsauginį šalną, klausos apsaugos priemonę ir tinkamą kvėpavimo takų apsaugos priemonę.
- ▶ Keisdami įrankį, mūvėkite apsaugines pirštines. Liesdami keičiamąjį įrankį, galite susipjaustyti ir nusideginti rankas.
- ▶ Dirbdami užsidėkite akių apsaugos priemonę. Medžiagų skeveldros gali sužaloti odą ir akis.
- ▶ Šlifuojant, pjaustant ir gręžiant kylančiose dulkėse gali būti pavojingų cheminių medžiagų. Štai keli pavyzdžiai: švinas ar dažai švino pagrindu, plytos, betonas ir kiti mūro statiniai, natūralus akmuo ir kiti gaminiai, kurių sudėtyje yra silikato, tam tikra mediena, ažuolas, bukas ir chemiškai apdorota mediena, asbestas arba medžiagos, kurių sudėtyje yra asbesto. Naudodamiesi medžiagų, su kuriomis dirbama, pavojingumo klase, nustatykite poveikį dirbančiajam ir aplink esantiems asmenims. Imkitės būtinų priemonių, užtikrinančių, kad poveikis liktų saugiam lygmenyje, pvz., naudokite dulkių surinkimo sistemą arba dėvėkite tinkamas kvėpavimo apsaugos priemones. Prie bendrųjų priemonių, skirtų poveikiui sumažinti, priskiriama:
 - ▶ darbas gerai vėdinamoje srityje,
 - ▶ ilgesnio kontakto su dulėmis vengimas,
 - ▶ dulkių nuvedimas nuo veido ir kūno,
 - ▶ apsauginių drabužių dėvėjimas ir užterštų vietų nuplovimas vandeniu ir muilu.
- ▶ Dažnai darykite pertraukas ir pratimus, užtikrinančius geresnę Jūsų pirštų kraujotaką. Dirbant ilgesnį laiką, vibracijos gali sukelti pirštų, plaštakos ar riešo sąnario kraujagyslių ar nervų sistemos pažeidimus.

Apsauga nuo elektros

- ▶ Prieš pradėdami dirbti patikrinkite, ar darbo zonoje nėra paslėptų elektros laidų, dujų ar vandentiekio vamzdžių. Netyčia pažeidus elektros kabelį, dujų ar vandens vamzdį, išorinėse metalinėse prietaiso dalyse taip pat gali atsirasti įtampa, kelianti elektros smūgio pavojų, arba gali iškilti sprogmio pavojus.

Atsargus elektrinių įrankių naudojimas ir elgesys su jais

- ▶ Keičiamajam įrankiui užsiblokavus, prietaisą nedelsdami išjunkite. Prietaisas gali pakrypti į šoną.
- ▶ Prieš padėdami prietaisą palaukite, kol jis visiškai sustos.

2.4 Saugos nurodymai dėl dulkių modulis

- ▶ Laikykites šioje instrukcijoje ir ant prietaiso pateiktų saugos nurodymų.
- ▶ Vykdydami gręžimo ir techninės priežiūros darbus, veidui ir kvėpavimo takams nuo likusių dulkių apsaugoti naudokite respiratorių.
- ▶ **Hilti** perforatoriaus šoninę rankeną naudokite visada – net ir tada, kai yra sumontuotas dulkių modulis.

2.5 Su akumuliatoriais elgtis atsargiai

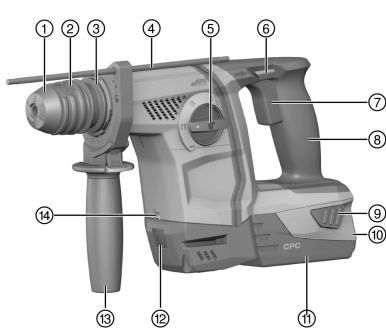
- ▶ Laikykites ličio jonų akumuliatorių specialiųjų transportavimo, sandėliavimo ir naudojimo direktyvų.
- ▶ Akumuliatorius saugokite nuo aukštos temperatūros, tiesioginių saulės spindulių ir ugnies.



- ▶ Akumulatorius draudžiama ardyti, spausti, kaitinti iki aukštesnės kaip 80 °C (176 °F) temperatūros arba deginti.
- ▶ Nenaudokite ir neįkraukite akumuliatorių, kurie buvo patyrę smūgi, kritę iš didesnio kaip vieno metro aukščio ar yra pažeisti kitokiu būdu. Tokiu atveju visada kreipkitės į savo **Hilti techninės priežiūros centrą**.
- ▶ Jeigu į rankas paimtas akumulatorius atrodo karštas, jis gali būti sugedęs. Padėkite akumuliatorių matomoje, nedegioje vietoje pakankamu atstumu nuo degių medžiagų. Leiskite akumuliatoriui atvėsti. Jei akumulatorius po valandos vis dar yra per karštas paimti į rankas, jis yra sugedęs. Susisiekite su **Hilti techninės priežiūros centru**.

3 Aprašymas

3.1 Prietaiso vaizdas



- ① Nuo dulkių saugantis gaubtelis
- ② Įrankio griebtuvas
- ③ Įrankio atfiksavimas
- ④ Gylio ribotuvas
- ⑤ Funkcijos pasirinkimo jungiklis
- ⑥ Dešininis / kairinės eigos perjungiklis su įjungimo blokatoriumi
- ⑦ Valdymo jungiklis
- ⑧ Rankena
- ⑨ Akumuliatoriaus atblokovimo mygtukai
- ⑩ Įkrovos lygio ir sutrikimų indikatorius (Li-Ion akumuliatoriaus)
- ⑪ Akumuliatorius
- ⑫ Jungtis dulkių moduliuvi TE DRS-6-A(02)
- ⑬ Šoninė rankena
- ⑭ Šviesos diodas darbo zonai apšviesti

3.2 Naudojimas pagal paskirtį

Aprašytasis prietaisas yra akumuliatorinis perforatorius. Jis yra skirtas plienui, medienai ir mūriui gręžti, betonui ir mūriui gręžti smūginiu būdu, taip pat varžtams įsukti ir atsukti. Prietaisą taip pat galima naudoti lengviems mūro kirtimo ir papildomiems betono apdailos darbams.

- ▶ Su šiuo prietaisu naudokite tik B 22 serijos **Hilti** Li-Ion akumulatorius.
- ▶ Su šiuo prietaisu naudokite tik B22 serijos **Hilti** ličio jonų akumulatorius.

3.3 Ličio jonų akumuliatoriaus indikatorius

Apie Li-Ion akumuliatoriaus įkrovos lygį ir prietaiso sutrikimus informuoja Li-Ion akumuliatoriaus indikatorius. Li-Ion akumuliatoriaus įkrovos lygis rodomas paspaudus vieną iš dviejų akumuliatoriaus atblokovimo mygtukų.

Būsena	Reikšmė
Šviečia 4 diodai.	Įkrovos lygis: nuo 75 iki 100 %
Šviečia 3 diodai.	Įkrovos lygis: nuo 50 iki 75 %
Šviečia 2 diodai.	Įkrovos lygis: nuo 25 iki 50 %
Šviečia 1 diodas.	Įkrovos lygis: nuo 10 iki 25 %
1 šviesos diodas mirksi.	Įkrovos lygis: < 10 %

- Kai nuspaustas valdymo jungiklis ir maždaug 5 sekundes po jo paleidimo įkrovos lygio pasižiūrėti negalima. Kai akumuliatoriaus indikatorius šviesos diodai mirksi, laikykitės skyriaus „Pagalba sutrikus veikimui“ pateiktų nurodymų.



3.4 Tiekiamas komplektas

Perforatorius, šoninė rankena, gylio ribotuvas, naudojimo instrukcija.

Daugiau Jūsų turimam prietaisui skirtų sisteminių reikmenų rasite vietinėje **Hilti Store** arba tinklalapyje www.hilti.group

4 Techniniai duomenys

4.1 Perforatorius

	TE 6-A22
Nominalioji maitinimo įtampa	21,6 V
Svoris pagal EPTA Procedure 01 su akumuliatoriumi B22/8.0	3,8 kg
Nominalus tuščiosios eigos sukimosi greitis	1 050 aps./min.
Betone / mūre gręžiamų skylių skersmuo (smūginis gręžimas)	4 mm ... 28 mm
Medienoje gręžiamų skylių skersmuo (ištinis grąžtas)	3 mm ... 20 mm
Metale gręžiamų skylių skersmuo (ištinis grąžtas)	3 mm ... 13 mm

4.2 Informacija apie triukšmą ir vibracijos reikšmės pagal EN 62841

Šiuose nurodymuose pateiktos garso slėgio ir vibracijos reikšmės yra išmatuotos taikant standartizuotą matavimo metodą ir gali būti naudojamos elektriniams įrankiams palyginti tarpusavyje. Jos taip pat tinka šių veiksmų poveikiui iš anksto įvertinti.

Nurodytieji duomenys yra susieti su pagrindinėmis šio elektrinio įrankio naudojimo sritimis. Jeigu elektrinis įrankis bus naudojamas kitaip, su skirtingais keičiamaisiais įrankiais arba bus nepakankamai techniškai prižiūrimas, šie duomenys gali skirtis nuo nurodytųjų. Tai gali gerokai padidinti šių veiksmų poveikį per visą darbo laikotarpį.

Norint tiksliai įvertinti poveikį, reikėtų įvertinti ir laiką, kai elektrinis prietaisas yra išjungtas, arba, nors ir įjungtas, juo faktiškai nedirbama. Toks įvertinimas gali smarkiai sumažinti poveikio per visą darbo laikotarpį reikšmę.

Imkitės papildomų saugos priemonių, kad darbuotojas būtų apsaugotas nuo triukšmo ir / arba vibracijos poveikio, pavyzdžiui, reikalaukite tinkamos elektrinio įrankio ir keičiamųjų įrankių techninės priežiūros, pasirūpinkite, kad darbuotojų rankos visada būtų šiltos, užtikrinkite tinkamą darbo organizavimą.

Informacija apie triukšmą

Garso stiprumo lygis (L_{WA})	100 dB(A)
Skleidžiamo garso slėgio lygis (L_{pA})	89 dB(A)
Paklaida (garso vertės) (K_{pA} ir K_{WA})	3 dB(A)

Suminės vibracijų vertės

		TE 6-A22
Betono smūginis gręžimas ($a_{h, HD}$)	B 22/2.6 Li-Ion (02)	19,9 m/s ²
	B 22/8.0 Li-Ion	17,1 m/s ²
Paklaida, smūginio būdu gręžiant betoną	B 22/2.6 Li-Ion (02)	2,1 m/s ²
	B 22/8.0 Li-Ion	1,5 m/s ²
Kirtimas kalnu ($a_{h, CHBq}$)	B 22/2.6 Li-Ion (02)	10,9 m/s ²
	B 22/8.0 Li-Ion	12,1 m/s ²
Paklaida, kertant kalnu	B 22/2.6 Li-Ion (02)	1,5 m/s ²
	B 22/8.0 Li-Ion	1,5 m/s ²

4.3 Akumuliatorius

Akumuliatoriaus darbinė įtampa	21,6 V
Darbinė aplinkos temperatūra	-17 °C ... 60 °C
Laikymo temperatūra	-20 °C ... 40 °C
Akumuliatoriaus temperatūra, kai pradeda įkrauti	-10 °C ... 45 °C



5 Naudojimas

5.1 Pasiruošimas darbui

ĮSPĖJIMAS

Sužalojimo pavojus dėl atsitiktinio paleidimo!

- ▶ Prieš įdėdami akumuliatorių, įsitikinkite, kad atitinkamas prietaisas yra išjungtas.
- ▶ Prieš nustatydami prietaisą ar keisdami reikmenis, išimkite akumuliatorių.

Laikykitės šioje instrukcijoje ir ant prietaiso pateiktų saugos nurodymų ir įspėjimų.

5.2 Akumulatoriaus įdėjimas 2

ATSARGIAI

Sužalojimo pavojus! Atsitiktinis perforatoriaus įjungimas.

- ▶ Prieš įdėdami akumuliatorių, įsitikinkite, kad perforatorius yra išjungtas, o dešininės / kairinės eigos perjungiklis yra vidurinėje padėtyje (įjungimo blokatorius).

1. Akumuliatorių dėkite į prietaisą esantį laikiklį, kol girdimai užsifiksuos.
2. Patikrinkite, ar akumuliatorius gerai užsifiksuotas prietaise.

5.3 Akumulatoriaus išėmimas 3

1. Spauskite akumulatoriaus atfiksavimo mygtukus.
2. Akumuliatorių išimkite traukdami atgal.

5.4 Šoninės rankenos montavimas 4

ATSARGIAI

Sužalojimo pavojus! Prarasta prietaiso valdymo kontrolė..

- ▶ Įsitikinkite, kad šoninė rankena tinkamai sumontuota ir tvarkingai pritvirtinta. Įsitikinkite, kad užspaudimo juosta yra atitinkamame prietaiso griovelyje.

1. Sukdami rankeną, atlaisvinkite šoninės rankenos laikiklį (užspaudimo juosta).
2. Gylio ribotuvą iš priekio įkiškite į jam skirtas 2 kreipiančiąsias skylės.
3. Sukdami rankeną, šoninės rankenos laikiklį (užspaudimo juosta) priveržkite.

5.5 Gylio ribotuvo montavimas ir nustatymas 5

- ▶ Jeigu reikia, sumontuokite ir nustatykite gylio ribotuvą.

5.6 Įrankio griebtuvo montavimas / išmontavimas 6

ATSARGIAI

Sužalojimo pavojus! Sumontuotas, tačiau nenaudojamas gylio ribotuvas gali sužaloti naudotoją.

- ▶ Gylio ribotuvą nuimkite nuo prietaiso.
- ▶ Sumontuokite / išmontuokite įrankio griebtuvą.

5.7 Įrankio įdėjimas 7

1. Keičiamojo įrankio kotą šiek tiek patepkite tirštu tepalu.
 - ▶ Naudokite tik originalų **Hilti** tirštąjį tepalą. Netinkamas tepalas gali prietaisui padaryti žalos.
2. Keičiamąjį įrankį įstatykite į įrankio griebtuvą, kol atsirems, ir leiskite užsifiksuoti.
3. Patraukę už įstatyto įrankio patikrinkite, ar jis gerai užsifiksavo.
 - ▶ Prietaisas yra parengtas naudoti.

5.8 Įrankio išėmimas 8

- ▶ Įrankio fiksatorių traukite atgal, kol atsirems, ir keičiamąjį įrankį išimkite.



5.9 Darbai pakėlus rankas virš galvos

- ▶ Prieš vykdydami darbus virš galvos, sumontuokite dulkių gaudymo žarną DCD.

5.10 Kalto padėties nustatymas

- ▶ Funkcijos pasirinkimo jungiklį nustatykite į padėtį .

6 Darbas

ATSARGIAI

Galima žala dėl netinkamo naudojimo!

- ▶ Tuo metu, kai įrankis veikia, sukimosi krypties ir / arba funkcijos pasirinkimo jungiklių nejudinkite!

Laikykitės šioje instrukcijoje ir ant prietaiso pateiktų saugos nurodymų ir įspėjimų.

6.1 Funkcijos pasirinkimo jungiklis

- ▶ Funkcijos pasirinkimo jungiklį nustatykite į norimą darbinę padėtį.
 - ▶ Kai prietaisas veikia, funkcijos pasirinkimo jungiklį perjunginėti draudžiama. **Galima žala!**

6.2 Dešininis / kairinis sukimasis

- ▶ Dešinines / kairines eigos perjungikliu nustatykite norimą sukimosi kryptį.


6.3 Grėžimas be smūgiavimo

- ▶ Funkcijos pasirinkimo jungiklį nustatykite į padėtį .

6.4 Smūginis grėžimas

- ▶ Funkcijos pasirinkimo jungiklį nustatykite į padėtį .

6.5 Kirtimas kalnu

- ▶ Funkcijos pasirinkimo jungiklį nustatykite į padėtį .
- ▶ Kad variklio aušinimas būtų optimalus, pasirinkite dešininę eigą (grąžto sukimosi kryptis).

7 Priežiūra ir einamasis remontas

7.1 Priežiūra ir einamasis remontas

ĮSPĖJIMAS

Sužalojimo pavojus kai įstatytas akumuliatorius !

- ▶ Prieš pradėdami bet kokius techninės priežiūros ir einamojo remonto darbus, akumuliatorių iš prietaiso išimkite!

Prietaiso priežiūra

- Prilipusius nešvarumus atsargiai nuvalykite.
- Jei yra, vėdinimo plyšius atsargiai išvalykite sausu minkštu šepetėliu.
- Korpusą valykite tik šiek tiek sudrėkinta šluoste. Nenaudokite priemonių, kurių sudėtyje yra silikono, nes jos gali pakenkti plastikinėms detalėms.
- Prietaiso kontaktams nuvalyti naudokite švarią, sausą šluostę.

Ličio jonų akumuliatorių priežiūra

- Niekada nenaudokite akumuliatoriaus, jei jo vėdinimo plyšiai yra užsikimšę. Vėdinimo plyšius atsargiai išvalykite sausu, minkštu šepetėliu.
- Saugokite akumuliatorių nuo bereikalingo dulkių ir nešvarumų poveikio. Saugokite akumuliatorių nuo didelės drėgmės (pvz., nepanardinkite į vandenį ir nepalikite stovėti lietuje).
Jei akumuliatorius peršlapo, elkitės su juo kaip su pažeistu akumuliatoriumi. Izoliuokite jį nedegiamame konteineryje ir kreipkitės į **Hilti** techninės priežiūros centrą.



- Saugokite akumuliatorių nuo pašalinės alyvos ir tepalų. Saugokite, kad ant akumulatoriaus nenusėstų dulkių ir nešvarumų. Akumuliatorių valykite sausu, minkštu šepetėliu arba švaria, sausa šluoste. Nenaudokite priemonių, kurių sudėtyje yra silikono, nes jos gali pakenkti plastikinėms detalėms. Nelieskite akumulatoriaus kontaktų ir nepašalinkite nuo kontaktų gamykloje užtepto tepalo.
- Korpusą valykite tik šiek tiek sudrėkinta šluoste. Nenaudokite priemonių, kurių sudėtyje yra silikono, nes jos gali pakenkti plastikinėms detalėms.

Einamasis remontas

- Reguliariai tikrinkite, ar matomos dalys nėra pažeistos ir ar valdymo elementai veikia nepriekaištingai.
- Nenaudokite pažeisto prietaiso arba prietaiso su veikimo trukdžiais. Prietaisą nedelsdami pristatykite remontuoti į **Hilti** techninės priežiūros centrą.
- Atlikę priežiūros ir remonto darbus uždėkite visus apsauginiai įtaisus ir patikrinkite, ar jie nepriekaištingai veikia.



Kad eksploatacija būtų patikima, naudokite tik originalias atsargines dalis ir eksploatacines medžiagas. **Hilti** aprobuotas atsargines dalis, eksploatacines medžiagas ir reikmenis savo prietaisui rasite vietinėje **Hilti Store** arba tinklalapyje www.hilti.group

7.2 Nuo dulkių saugančio gaubtelio valymas

- ▶ Įrankio griebtuve esantį nuo dulkių saugantį gaubtelį reguliariai valykite švaria sausa šluoste.
- ▶ Sandarinimo briaunelę atsargiai nuvalykite ir vėl šiek tiek patepkite **Hilti** tirštuoju tepalu.
- ▶ Jei sandarinimo briaunelė pažeista, būtinai pakeiskite nuo dulkių saugantį gaubtelį.

8 Transportavimas ir sandėliavimas

8.1 Akumuliatorių įrankių ir akumuliatorių transportavimas ir sandėliavimas

Transportavimas



ATSARGIAI

Atsitiktinis įjungimas transportuojant !

- ▶ Savo prietaisus visada transportuokite tik išėmę akumuliatorius!
- ▶ Išimkite akumuliatorių/akumuliatorius.
- ▶ Akumuliatorių niekada netransportuokite sumetę į krūvą su kitais daiktais. Transportuojamus akumuliatorius būtina saugoti nuo stiprių smūgių ir vibracijos, taip pat izoliuoti nuo bet kokių elektrai laidžių medžiagų ir kitų akumuliatorių, kad jie nesiliestų su kitų akumuliatorių poliais ir nesukeltų trumpojo jungimo. **Laikykitės eksploataavimo vietoje galiojančių akumuliatorių transportavimo direktyvų.**
- ▶ Akumuliatorius draudžiama siųsti paštu. Jei norite siųsti nepažeistus akumuliatorius, kreipkitės į pervežimų įmonę.
- ▶ Prieš kiekvieną naudojimą ir po ilgesnio transportavimo patikrinkite, ar prietaisai ir akumuliatoriai nepažeisti.

Sandėliavimas



ISPĖJIMAS

Atsitiktinis pažeidimas dėl sugedusių ar išsiliejusių akumuliatorių !

- ▶ Savo prietaisus visada laikykite tik išėmę akumuliatorius!
- ▶ Prietaisai ir akumuliatorių laikykite vėsioje ir sausoje vietoje. Atkreipkite dėmesį į ribines temperatūros vertes, nurodytas skyriuje "Techniniai duomenys".
- ▶ Akumulatoriaus nelaikykite ant kroviklio. Akumuliatorių visada nuimkite nuo kroviklio po įkrovimo proceso.
- ▶ Nelaikykite akumulatoriaus saulėje, ant šilumos šaltinių ar už lango stiklo.
- ▶ Prietaisą ir akumuliatorius laikykite vaikams bei neįgalotiems asmenims neprieinamoje vietoje.
- ▶ Prieš kiekvieną naudojimą ir po ilgesnio sandėliavimo patikrinkite, ar prietaisai ir akumuliatoriai nepažeisti.

9 Pagalba sutrikus veikimui

Pasitaikius sutrikimų, kurie nėra aprašyti šioje lentelėje arba kurių negalite pašalinti patys, kreipkitės į **Hilti** techninės priežiūros centrą.



9.1 Perforatorius neparengtas veikti

Sutrikimas	Galima priežastis	Sprendimas
Akumuliatoriaus šviesos diodai nieko nerodo.	Akumuliatorius netinkamai įstatytas.	▶ Akumuliatorių užfiksuokite: turi pasigirsti dvigubas spragtelėjimas.
	Akumuliatorius išsekęs.	▶ Akumuliatorių pakeiskite, o išsekusį – įkraukite.
	Akumuliatorius per karštas arba per šaltas.	▶ Leiskite akumuliatoriui atvėsti arba pašildykite iki kambario temperatūros.
1 akumuliatoriaus šviesos diodas mirksi.	Akumuliatorius išsekęs.	▶ Akumuliatorių pakeiskite, o išsekusį – įkraukite.
	Akumuliatorius per karštas arba per šaltas.	▶ Leiskite akumuliatoriui atvėsti arba pašildykite iki kambario temperatūros.
Mirksi 4 akumuliatoriaus šviesos diodai.	Perforatorius trumpam perkrautas.	▶ Valdymo jungiklį atleiskite ir vėl paspauskite.

9.2 Perforatorius yra parengtas veikti

Sutrikimas	Galima priežastis	Sprendimas
Prietaisas nesmūgiuoja.	Perforatorius per šaltas.	▶ Perforatorių padėkite ant grindų ir leiskite veikti tuščiaja eiga. Jeigu reikia, pakartokite, kol smūginis mechanizmas pradės veikti.
	Funkcijos pasirinkimo jungiklis yra padėtyje „Grėžimas be smūgiavimo“ .	▶ Funkcijos pasirinkimo jungiklį nustatykite į padėtį „Smūginis grėžimas“ .
Valdymo jungiklio negalima paspausti arba jis yra užblokuotas.	Dešininės / kairinės eigos perjungiklis yra vidurinėje padėtyje.	▶ Dešininės / kairinės eigos perjungiklį pastumkite į kairę arba į dešinę.
Prietaiso velenas nesisuka.	Viršyta perforatoriaus elektroninės sistemos leistina darbinė temperatūra.	▶ Leiskite prietaisui atvėsti.
	Akumuliatorius išsekęs.	▶ Akumuliatorių pakeiskite, o išsekusį – įkraukite.
	Funkcijos pasirinkimo jungiklis neužfiksuotas arba yra padėtyje „Kirtimas kaltu“ ar „Kalto padėties nustatymas“ .	▶ Funkcijos pasirinkimo jungiklį nustatykite į padėtį „Grėžimas be smūgiavimo“ arba „Smūginis grėžimas“ .
Perforatorius automatiškai išsijungia.	Suveikė apsauga nuo perkrovos.	▶ Atleiskite valdymo jungiklį. Leiskite perforatoriui atvėsti. Vėl spauskite valdymo jungiklį. Sumažinkite prietaiso apkrovą.
Akumuliatorius išsikrauna greičiau nei paprastai.	Labai žema aplinkos temperatūra.	▶ Leiskite akumuliatoriui lėtai sušilti iki patalpos temperatūros.
Akumuliatorius neužsifiksuoja, ir nepasigirsta dvigubas spragtelėjimas.	Užterštas akumuliatoriaus fiksatorius.	▶ Fiksatorių išvalykite ir akumuliatorių įdėkite iš naujo.
Perforatorius arba akumuliatorius stipriai kaista.	Elektrinės įrangos gedimas	▶ Perforatorių nedelsdami išjunkite. Akumuliatorių išimkite ir stebėkite. Leiskite jam atvėsti. Susisiekite su Hilti techninės priežiūros centru.



Sutrikimas	Galima priežastis	Sprendimas
Perforatorius arba akumulatorius stipriai kaista.	Perforatorius perkrautas.	► Pasirinkite didesnės galios prietaisą.
Įrankio neįmanoma ištraukti iš griebtuvo.	Įrankio griebtuvas nėra iki galo atitrauktas.	► Įrankio fiksatorių traukite atgal, kol atsirems, ir įrankį išimkite.
Įrankis negręžia.	Įjungta perforatoriaus kairinė eiga.	► Dešininės / kairinės eigos perjungiklį nustatykite į dešininio sukimosi padėtį.
	Funkcijos pasirinkimo jungiklis yra padėtyje „Grėžimas be smūgia-vimo“ .	► Funkcijos pasirinkimo jungiklį nustatykite į padėtį „Smūginis grėžimas“ .

10 Papildomai užsakomi reikmenys

10.1 Dulkių gaudymo žarna DCD

Dulkių gaudymo žarna DCD naudojama kaip **Hilti** perforatoriaus reikmuo. Ji greitai ir paprastai tvirtinama prie perforatoriaus ir, dirbant virš galvos, ja surenkama didžioji kylančių dulkių dalis.

10.2 Dulkių modulis TE DRS-6-A / TE DRS-6-A OSHA

Dulkių modulis TE DRS-6-A naudojamas kaip **Hilti** perforatoriaus TE 6-A22 reikmuo. Jis greitai ir paprastai tvirtinamas ant perforatoriaus, juo surenkama didžioji apdirbant kylančių dulkių dalis. Į dulkių modulį yra integruotas siurbimo ventiliatorius. Jį suka atitinkamas elektrinis variklis. Įjungus perforatorių, modulis maitinamas iš perforatoriaus akumulatoriaus.

Šis dulkių modulis nėra tinkamas naudoti apdirbant metalą ir medieną.

Sąlygos: TE DRS-6-A OSHA

TE DRS-6-A OSHA tenkina direktyvą OSHA 1926.1153 Table 1. Jame yra įrengtas filtro valymo įtaisas.

10.2.1 Dulkių modulio montavimas

Prieš montuodami, atkreipkite dėmesį, kad perforatoriaus ir dulkių modulio fiksavimo taškai ir elektrinės jungtys būtų švarūs ir lengvai judėtų vienas kito atžvilgiu.

1. Patikrinkite, ar dulkių modulis nėra pažeistas.
2. Patikrinkite teleskopinio vamzdžio judėjimo laisvumą.
3. Perforatoriaus dešininės / kairinės eigos perjungiklį nustatykite į vidurinę padėtį.
4. Nuo šoninės rankenos nuimkite gylio ribotuvą.
5. Dulkių modulį iš priekio stumkite ant prietaiso, kol užsifiksuos.
6. Po montavimo patikrinkite, ar dulkių modulis užfiksuotas tinkamai.

10.2.2 Grėžimas naudojant dulkių modulį

1. Kad įjungtumėte dulkių modulį, spauskite perforatoriaus valdymo mygtuką.
2. Valdymo mygtuką laikykite nuspaustą, kol bus pasiektas visas siurbimo našumas.
3. Siurbimo galvutę vertikalai padėkite ant pagrindo.
4. Gręžkite skylę, paskui prietaisą lėtai iš jos ištraukite, kad dulkių būtų susiurbta kiek įmanoma daugiau.

10.2.3 Dulkių dėžutės ištuštinimas

Kai dulkių dėžutė pilna arba filtras užkimštas, darbo vietoje į aplinką gali pasklisti daugiau dulkių, todėl juos reikia reguliariai valyti.

Dulkių dėžutę ištuštinkite išgręžę 8–10 skylių (16 mm x 50 mm) (5/8 in x 2 in).

Kad sumažintumėte dulkių sklaidimą į aplinką, dulkes laikykite uždaramame konteineryje.

1. Prietaisą laikykite horizontaliai ir dar leiskite trumpai veikti.
 - Taip dulkių modulyje susikaupę dulkių likučiai bus susiurbti į dulkių dėžutę.
2. Spauskite ir laikykite dulkių dėžutės atfiksavimo mygtuką.



3. Traukdami žemyn, dulkių dėžutę nuimkite nuo dulkių modulio.
4. Dulkių dėžutę ištuštinkite.
 - ▶ Užterštas filtras.
 - ▶ Pakeiskite filtrą.
 - ▶ Filtras yra švarus.
5. Tuščią dulkių dėžutę iš apačios stumkite į dulkių modulį, kol užsifiksuos.

10.2.4 TE-DRS-OSHA filtro valymas **14**



Filtrą valykite išgręžę 5 skylės (16 mm x 50 mm) (1/2 in x 3 in).

- ▶ Kai siurbimo našumas sumažėja, spauskite valymo įtaisą iki girdimo spragtelėjimo po 5 kartus pirmyn ir atgal.

10.2.5 Dulkių modulio išmontavimas **15**

1. Perforatoriaus dešininės / kairinės eigos perjungiklį nustatykite į vidurinę padėtį.
2. Spauskite ir laikykite DRS atfiksavimo mygtuką.
3. Traukdami pirmyn, dulkių modulį nuimkite nuo prietaiso.

11 Utilizavimas



ĮSPĖJIMAS

Sužalojimo pavojus dėl netinkamo utilizavimo! Išeinančios dujos ir ištekantis skystis kelia pavojų sveikatai.

- ▶ Pažeistų akumuliatorių nesiųskite paštu ir nepervežkite!
- ▶ Kad būtų išvengta trumpojo jungimo, jungtis uždenkite elektra nelaidžia medžiaga.
- ▶ Akumulatorius utilizuokite taip, kad jie negalėtų patekti į vaikų rankas.
- ▶ Akumuliatorių pristatykite utilizuoti į savo **Hilti Store** arba kreipkitės į vietinę kompetentingą utilizavimo įmonę.

Didelė **Hilti** prietaisų dalis yra pagaminta iš medžiagų, kurias galima perdirbti. Būtina antrinio perdirbimo sąlyga yra tinkamas medžiagų išrūšiavimas. Daugelyje šalių **Hilti** priims Jūsų nebenaudojamą prietaisą perdirbti. Apie tai galite pasiteirauti artimiausiam **Hilti** techninės priežiūros centre arba savo prekybos konsultanto.



- ▶ Elektrinių įrankių, elektroninių prietaisų ir akumuliatorių neišmeskite į buitinius šiukšlynus!

12 RoHS (direktiva dėl pavojingų medžiagų naudojimo ribojimo)

Pavojingų medžiagų lentelę rasite spausdami šią nuorodą: qr.hilti.com/r4695.

Nuorodą į RoHS lentelę rasite kaip QR kodą šios instrukcijos gale.

13 Gamintojo teikiama garantija

- ▶ Kilus klausimų dėl garantijos sąlygų, kreipkitės į vietinį **Hilti** partnerį.

Originaalkasutusjuhend

1 Andmed kasutusjuhendi kohta

1.1 Käesoleva käsitsemisjuhendi kohta

- Enne seadme kasutuselevõttu lugege läbi kasutusjuhend. See on ohutu kasutamise ja tõrgeteta töö eeldus.
- Järgige käesolevas kasutusjuhendis ja seadmel esitatud ohutusnõudeid ja hoiatusi.
- Hoidke kasutusjuhend alati toote juures ja andke toode teistele isikutele edasi ainult koos käesoleva kasutusjuhendiga.



1.2 Märkide selgitus

1.2.1 Hoiatused

Hoiatused annavad märku toote kasutamisel tekkivatest ohtudest. Kasutatakse järgmisi märksõnu:



OHT

OHT !

- ▶ Võimalikud ohtlikud olukorrad, mis võivad põhjustada kasutaja raskeid kehavigastusi või hukkumist.



HOIATUS

HOIATUS !

- ▶ Võimalik ohtlik olukord, mis võib põhjustada kasutaja raskeid kehavigastusi või hukkumist.



ETTEVAATUST

ETTEVAATUST !

- ▶ Võimalikud ohtlikud olukorrad, mis võivad põhjustada kehavigastusi või varalist kahju.

1.2.2 Sümbolid kasutusjuhendis

Käesolevas kasutusjuhendis kasutatakse järgmisi sümboleid:



Järgige kasutusjuhendit



Soovitusi seadme kasutamiseks ja muu kasulik teave



Taaskasutatavate materjalide käsitlemine



Elektrilisi tööriistu ja akusid ei tohi visata olmejäätmete hulka



Hilti Li-Ion-aku



Hilti Laadimisseade

1.2.3 Joonistel kasutatud sümbolid

Joonistel kasutatakse järgmisi sümboleid.



Numbrid viitavad vastavatele joonistele kasutusjuhendi juhendi alguses.



Numbrid joonistel tähistavad tähtsaid toiminguid või toimingute jaoks tähtsaid detaile. Tekstis tõstetakse need toimingud või detailid vastava numbriga abil esile, näiteks **(3)**.



Positsiooninumbreid kasutatakse joonisel **Ülevaade** ja need viitavad selgituste numbritel **toote ülevaates**.



See märk näitab, et toote käsitlemisel tuleb olla eriti tähelepanelik.

1.3 Tootepõhised sümbolid

1.3.1 Sümbolid

Tootel võidakse kasutada järgmisi sümboleid:



Löögita puurimine



Löökpuurimine



Meiseldamine



Meisli positsioneerimine



Parem/vasak käik



n_0	Nimipöörlemiskiirus tühikäigul
	Alalisvool
Li-Ion	Liitumioonaku
	Kasutatud Hilti Li-Ion-aku seeria. Pidage kinni peatükis Nõuetekohane kasutamine esitatud juhistest.
	Ärge kasutage akut kunagi lõõgiriistana.
	Ärge laske akul kunagi maha kukkuda. Ärge kasutage akut, mis on saanud löögi või on muul moel kahjustatud.
	Seade toetab NFC-tehnoloogiat, mis on ühildatav iOS- ja Android-platvormidega.

1.4 Tooteinfo

HILTI tooted on ette nähtud professionaalsele kasutajale ja neid tohivad käsitseda, hooldada ja korras hoida ainult volitatud ja asjaomase väljaõppega isikud. Nimetatud personal peab olema teadlik kõikidest kaasnevatest ohtudest. Seade ja sellega ühendatavad abivahendid võivad osutuda ohtlikuks, kui neid ei kasutata nõuetekohaselt või kui nendega töötab vastava väljaõppeta isik.

Tüübitähis ja seerianumber on tüübisildil.

- Kandke seerianumber järgmisse tabelisse. Andmeid toote kohta vajate meie esindusele või hooldekeskusele päringute esitamisel.

Toote andmed

Puurvasar	TE 6-A22
Põlvkond	04
Seerianumber	

1.5 Vastavusdeklaratsioon

Kinnitame ainuvastutajana, et käesolevas kasutusjuhendis kirjeldatud seade vastab kehtivate direktiivide ja standardite nõuetele: Vastavusdeklaratsiooni ärakirja leiate käesoleva kasutusjuhendi lõpust.

Tehnilised dokumendid on saadaval:

Hilti Entwicklungsgesellschaft mbH | Zulassung Geräte | Hiltistraße 6 | 86916 Kaufering, DE

2 Ohutus

2.1 Üldised ohutusnõuded elektriliste tööriistade kasutamisel

⚠ HOIATUS! Lugege kõiki selle elektrilise tööriista juurde kuuluvaid ohutusjuhiseid, nõuandeid, jooniseid ja tehnilisi andmeid! Järgmiste juhiste eiramise tagajärg võib olla elektrilöök, tulekahju ja/või rasked vigastused.

Hoidke kõik ohutusnõuded ja juhised edaspidiseks kasutamiseks alles.

Ohutusjuhistes kasutatud mõiste "elektriline tööriist" käib võrgutoitega (toitejuhtmega) elektriliste tööriistade või akutoitega (toitejuhtmeta) elektriliste tööriistade kohta.

Ohutus töökohal

- **Hoidke oma töökoht puhas ja valgustage seda korralikult.** Korrastamata ja valgustamata töökoht võib põhjustada õnnetusi.
- **Ärge kasutage elektrilist tööriista plahvatusohtlikus keskkonnas, kus leidub tuleohtlikke vedelikke, gaase või tolmu.** Elektrilistest tööriistadest lööb sädemeid, mis võivad tolmu või auru süüdata.
- **Hoidke lapsed ja kõik teised töökohast eemal, kui kasutate elektrilist tööriista!** Kui teie tähelepanu juhitakse kõrvale, võib seade teie kontrolli alt väljuda.

Elektriohutus

- **Elektrilise tööriista pistik peab sobima pistikupessa. Pistiku juures ei tohi teha mingeid muudatusi. Kaitsemaandusega seadmete puhul ei tohi kasutada adapterpistikuid.** Muutmata pistikud ja sobivad pistikupesad vähendavad elektrilöögiohtu.



- ▶ **Vältige keha kontakti maandatud pindadega (nt toru, radiaator, pliit, külmik).** Kui teie keha on maandatud, on elektrilöögi oht suurem.
- ▶ **Kaitske elektrilist tööriista vihma ja niiskuse eest.** Kui elektrilise tööriista sisemusse satub vett, suurendab see elektrilöögiohtu.
- ▶ **Ärge kasutage ühenduskaablit elektrilise tööriista kandmiseks, riputamiseks ega pistiku stepslist väljatõmbamiseks!** Hoidke ühenduskaablit eemal kuumusest, õlidest, teravatest servadest ja liikuvatest osadest. Kahjustatud või keerds ühenduskaablid suurendavad elektrilöögiohtu.
- ▶ **Kui töötate elektrilise tööriistaga vabas õhus, kasutage ainult selliseid pikendusjuhtmeid, mida tohib kasutada ka välitingimustes.** Välitingimustes sobiva pikendusjuhtme kasutamine vähendab elektrilöögiohtu.
- ▶ **Kui seadmega töötamine niiskes keskkonnas on vältimatu, kasutage rikkevoolu kaitselülitiit.** Rikkevoolu kaitselüliti kasutamine vähendab elektrilöögiohtu.

Inimeste ohutus

- ▶ **Olge tähelepanelik, jälgige, mida teete, ja toimige elektrilise tööriistaga töötades kaalutletult. Ärge töötage elektrilise tööriistaga, kui olete väsinud või alkoholi, narkootikumide või ravimite mõju all!** Hetkeline tähelepanematus elektrilise tööriista kasutamisel võib põhjustada raskeid kehavigastusi ja varalist kahju.
- ▶ **Kandke isiklikke kaitsevahendeid ja alati kaitseprille.** Isiklike kaitsevahendite, nt tolmu maski, libisemiskindlate turvajalatsite, kaitsekiivri või kuulmiskaitsevahendite kandmine (sõltuvalt elektrilise tööriista tüübist ja kasutusalaast) vähendab vigastusohtu.
- ▶ **Vältige elektrilise tööriista soovimatut käivitamist! Enne elektrilise tööriista ühendamist vooluvõrku ja/või elektrilise tööriista aku paigaldamist, tööriista ülestõstmist ja kandmist veenduge, et elektriline tööriist on välja lülitatud!** Kui hoiate elektrilise tööriista kandmisel sõrme lülitiil või ühendate vooluvõrku sisselülitatud tööriista, võib juhtuda õnnetus.
- ▶ **Enne elektrilise tööriista sisselülitamist eemaldage selle küljest seade- ja mutrivõtmed.** Elektrilise tööriista pöörleva osa küljes olev seade- või mutrivõti võib põhjustada vigastusi.
- ▶ **Vältige ebatavalist tööasendit! Võtke stabiilne tööasend ja säilitage alati tasakaal.** Nii saate elektrilist tööriista ootamatutes olukordades paremini kontrollida.
- ▶ **Kandke sobivat rõivastust. Ärge kandke laiu riideid ega ehteid! Hoidke juuksed, rõivad ja kindad seadme liikuvatest osadest eemal.** Lotendavad riided, ehted ja pikad juuksed võivad sattuda seadme liikuvate osade vahele.
- ▶ **Kui elektrilise tööriista külge on võimalik paigaldada tolmuemaldus- ja kogumisseadiseid, veenduge, et need on tööriistaga ühendatud ja et neid kasutatakse nõuetekohaselt.** Tolmuemaldus-seadise kasutamine võib vähendada tolmuast tingletud ohte.
- ▶ **Ärge laske tekkida petlikul turvatundel ega erake elektrilise tööriista ohutusreegleid isegi siis, kui olete pärast paljukordset kasutamist elektrilise tööriistaga harjunud.** Tähelepanematu käsitsemine võib sekundi mürdosa jooksul kaasa tuua raskeid vigastusi.

Elektrilise tööriista kasutamine ja käsitsemine

- ▶ **Ärge koormake seadet üle!** Kasutage konkreetseks tööks sobivat elektrilist tööriista. See töötab ettenähtud jõudluspiirides tõhusamalt ja ohutumalt.
- ▶ **Ärge kasutage elektrilist tööriista, mille lüliti on rikkis!** Elektriline tööriist, mida ei saa enam lüliti korralikult sisse ja välja lülitada, on ohtlik ning tuleb viia parandusse.
- ▶ **Tõmmake enne seadme mis tahes seadetõid, tarvikute vahetamist ja seadme hoieüpanekut pistik pistikupesast välja ja/või eemaldage äravõetav aku.** See ettevaatusabinõu hoiab ära seadme soovimatu käivitamise.
- ▶ **Kasutusvälisel ajal hoidke elektrilist tööriista lastele kättesaamatus kohas. Ärge laske seadet kasutada isikutel, kes seadme tööpõhimõtet ei tunne või ei ole lugenud käesolevat kasutusjuhendeid.** Asjatundmatute isikute käes on elektrilised tööriistad ohtlikud.
- ▶ **Hooldage elektrilisi tööriistu ja tarvikuid korralikult. Kontrollige, kas liikuvad osad töötavad veatult ega kiilu kiini.** Veenduge, et seadme osad ei ole murdunud või kahjustatud määral, mis mõjutab seadme töökindlust. Laske kahjustatud osad enne seadme kasutamist parandada. Ebapiisavalt hooldatud elektrilised tööriistad põhjustavad õnnetusi.
- ▶ **Hoidke lõiketarvikud teravad ja puhtad.** Hästi hooldatud, teravate lõikeservadega lõiketarvikud kiiluvad harvemini kinni ja neid on lihtsam juhtida.
- ▶ **Kasutage elektrilist tööriista, tarvikuid ja lisatarvikuid vastavalt nende juhiste. Arvestage seejuures töötingimuste ja tehtava töö iseloomuga.** Elektrilise tööriista kasutamine otstarbel, milleks see ei ole ette nähtud, võib põhjustada ohtlikke olukordi.
- ▶ **Käepidemed ja haardepinnad peavad olema kuivad, puhtad ning vabad õlist ja rasvast.** Libedad käepidemed ja haardepinnad ei võimalda elektrilist tööriista ootamatutes olukordades kindlalt käitseda ega kontrollida.



Akuga tööriista kasutamine ja käsitsemine

- ▶ **Laadige akusid ainult tootja soovitatud laadimisseadmega.** Kui teatud tüüpi aku laadimiseks ettenähtud laadimiseadet kasutatakse teist tüüpi akude laadimiseks, tekib tulekahjuoht.
- ▶ **Kasutage elektrilistes tööriistades ainult ettenähtud akusid.** Teist tüüpi akude kasutamine võib põhjustada vigastus- ja põlenguohtu.
- ▶ **Hoidke akud kasutusvälisel ajal eemal kirjklambritest, müntidest, võtmetest, naeltest, kruvidest ja teistest väikestest metallesemetest, mis võivad aku kontaktid omavahel ühendada.** Aku kontaktide vahel tekkinud lühis võib põhjustada põletuse või tulekahju.
- ▶ **Väärkasutuse korral võib akuvedelik akust välja voolata. Vältige sellega kokkupuudet. Juhusliku kokkupuute korral loputage kahjustatud kohta veega. Kui vedelik satub silma, otsige ka arstiabi.** Väljavoolav akuvedelik võib põhjustada nahaärritust või põletust.
- ▶ **Ärge kasutage kahjustatud ega modifitseeritud akut!** Kahjustatud või modifitseeritud akud võivad käituda ettenägematult ja põhjustada tulekahju, plahvatusi või vigastusohtu.
- ▶ **Ärge laske akul kokku puutuda tule ega liiga kõrge temperatuuriga!** Tuli või temperatuur üle 130 °C (265 °F) võivad tekitada plahvatusi.
- ▶ **Järgige kõiki laadimisjuhiseid ja ärge kunagi laadige akut ega akutööriista väljaspool kasutusjuhendis näidatud temperatuurivahemikku.** Väär laadimine või laadimine väljaspool lubatud temperatuurivahemikku võib kahjustada akut ja suurendada tuleohtu.

Hoolitus

- ▶ **Laske elektrilist tööriista parandada ainult kvalifitseeritud spetsialistidel, kes kasutavad originaalvaruosi.** Nii on tagatud elektrilise tööriista ohutu töö.
- ▶ **Ärge hoolitage kahjustatud akut!** Akut võib hooldada ainult tootja või volitatud klienditeenindus.

2.2 Ohutusnõuded puurvasaratega töötamisel

Ohutusnõuded kõikide tööde puhul

- ▶ **Kandke kuulmiskaitsevahendeid.** Müra võib kahjustada kuulmist.
- ▶ **Kasutage tarnekomplekti kuuluvaid lisakäepidemeid.** Kontrolli kaotus seadme üle võib põhjustada vigastusi.
- ▶ **Kui teete töid, mille puhul võib tarvik tabada varjatud elektrijuhtmeid, hoidke seadet isoleeritud haardepinnast.** Kokkupuude pingestatud elektrijuhtmega võib seada pinge alla ka seadme metalldetailid ja põhjustada elektrilöögi.

Ohutusnõuded pikkade puuride kasutamisel

- ▶ **Alustage puurimist alati madalatel pööretel ja veenduge, et puur puutub toorikuga kokku.** Kõrgematel pööretel võib puur veidi painduda, kui puuril on võimalik toorikus ilma kokkupuuteta vabalt pöörelda, ning tagajärjeks võivad olla kehavigastused ja varaline kahju.
- ▶ **Ärge rakendage liigset survet ning rakendage survet üksnes puuri suhtes pikisuunas.** Puurid võivad painduvad ja seetõttu murduda või tuua kaasa kontrolli kaotuse ning kehavigastuste ja varalise kahju tekke.

2.3 Täiendavad ohutusnõuded puurvasara kasutamisel

Inimeste turvalisus

- ▶ Kasutage seadet ja lisatarvikuid ainult siis, kui nende tehniline seisukord on veatu.
- ▶ Ärge kunagi muutke ega modifitseerige seadet ega lisatarvikuid.
- ▶ Kasutage koos seadmega tarnekomplekti kuuluvaid lisakäepidemeid. Kontrolli kaotus seadme üle võib põhjustada vigastusi.
- ▶ Läbistavate tööde korral ümbritsege kaitsepiiridega töödeldava koha taha jääv ala. Väljamurtavad tükid võivad välja ja/või alla kukkuda ning teisi inimesi vigastada.
- ▶ Hoidke seadet ettenähtud käepidemetest alati mõlema käega. Hoidke käepidemed kuivad ja puhtad.
- ▶ Hoidke seadet üksnes isoleeritud käepidemest, kui teete töid, mille puhul võib tarvik tabada varjatud elektrijuhtmeid. Kokkupuude pingestatud elektrijuhtmega võib seada pinge alla ka seadme metalldetailid ja põhjustada elektrilöögi.
- ▶ Vältige kokkupuudet seadme pöörlevate osadega - vigastuste oht!
- ▶ Seadme kasutamise ajal kandke kaitseprille, kaitsekiivrit, kuulmiskaitsevahendeid ja sobivat hingamisteede kaitsemaski.
- ▶ Tarviku vahetamisel kandke kaitsekindaid. Tarviku puudutamine võib tekitada löikehaavu ja põletusi.
- ▶ Kasutage kaitseprille. Materjalist väljalendavad killud võivad tekitada keha- ja silmavigastusi.



- ▶ Lihvimisel, lõikamisel ja puurimisel tekkinud tolm võib sisaldada ohtlikke kemikaale. Mõned näited: plii või pliipõhised värvid; tellis, betoon ja muu müüritis, looduskivi ja muud silikaati sisaldavad tooted; teatud tüüpi puit, näiteks tamm, pöök ja keemiliselt töödeldud puit; asbest või asbesti sisaldavad materjalid. Tehke kindlaks kasutaja ja teiste läheduses viibivate isikutega kokkupuute tase, arvestades töödeldavate materjalide ohuklassi. Võtke vajalikud meetmed, et hoida kokkupuude ohutul tasemel, nt kasutage tolmukogumissüsteemi või kandke sobivat hingamisteede kaitse maski. Kokkupuute vähendamise üldiste meetmete hulka kuuluvad:
 - ▶ töötamine hästi ventileeritud piirkonnast,
 - ▶ tolmuga pikaajalise kokkupuute vältimine,
 - ▶ tolmude eemaljuhtimine näost ja kehast,
 - ▶ kaitserõivaste kandmine ja nähtavate kohtade pesemine vee ja seebiga.
- ▶ Tehke tihti pause ja sirutage sõrmi, et parandada verevarustust. Pikaajalisel töötamisel võib tugev vibratsioon tekitada häireid sõrmede, käte või randmeliigeste veresoonte ja närvisüsteemi toimimises.

Elektriohutus

- ▶ Veenduge enne töö alustamist, et tööpiirkonnas ei ole varjatult paigaldatud elektrikaableid ega gaasi- ja veetorustikke. Pingestatud elektrijuhtme, gaasi- või veetoru vigastamise korral võivad seadme välised metallosad sattuda põhjustada plahvatuse või elektrilöögi.

Elektriliste tööriistade hoolikas käsitsemine ja kasutamine

- ▶ Lülitage seade kohe välja, kui tarvik kinni kiilub. Seade võib külgsuunas liikuda.
- ▶ Enne käestpanekut oodake, kuni seade on täielikult seiskunud.

2.4 Ohutusnõuded tolmueemaldusmooduli kasutamisel

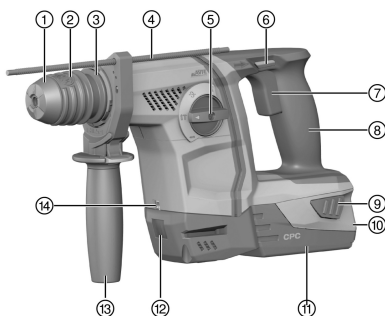
- ▶ Järgige kõiki kasutusjuhendis ja seadmel toodud ohutusnõudeid.
- ▶ Kandke tolmumaski, mis kaitseb nägu ja hingamisteed puurimise ja hooldustööde ajal jäätkolmu eest.
- ▶ Ka paigaldatud tolmueemaldusmooduli korral kasutage alati **Hilti** puurvasara lisakäepidet.

2.5 Akude hoolikas käsitsemine ja kasutamine

- ▶ Järgige liitiumioonakude veo, ladustamise ja käsitsemise suhtes kehtivaid erinõudeid.
- ▶ Kaitske akusid kõrgete temperatuuride, otsese päikesekiirguse ja tule eest.
- ▶ Akusid ei tohi lahti võtta, kokku muljuda, kuumutada üle 80°C (176°F) ega põletada.
- ▶ Ärge kasutage ega laadige akusid, mis on saanud löögi, kukkunud kõrgemal kui üks meeter või muul viisil vigastada saanud. Võtke sellisel juhul alati ühendust **Hilti hooldekeskusega**.
- ▶ Kui aku on nii kuum, et seda ei saa puudutada, võib aku olla defektne. Asetage aku nähtavasse tulekindlasse kohta, mis on süttivatest materjalidest piisavaltkaugel. Laske akul jahtuda. Kui aku on ühe tunni pärast ikka veel liiga kuum, et seda puudutada saaks, siis on aku defektne. Võtke ühendust **Hilti hooldekeskusega**.

3 Kirjeldus

3.1 Toote ülevaade 1



- ① Tolmukaitsekate
- ② Padrun
- ③ Tarviku vabastamise nupp
- ④ Sügavuspiirik
- ⑤ Töörežiimilüliti
- ⑥ Sisselülitustõkisega reversiivlüliti
- ⑦ Juhtlüliti
- ⑧ Käepide
- ⑨ Aku vabastusnupud
- ⑩ Laetuse astme ja veanäidik (liitiumioonaku)
- ⑪ Aku
- ⑫ Liitmik tolmueemaldusmoodulile TE DRS-6-A(02)
- ⑬ Lisakäepide
- ⑭ Töökohta valgustav tuli



3.2 Sihipärane kasutamine

Kirjeldatud toode on akutoitega puurvasar. See on ette nähtud betooni ja müüritise löökpuurimiseks, terase, puidu ja müüritise puurimiseks ja kruvide sisse- ja väljakeeramiseks. Lisaks võib seadet kasutada kergeteks meiseldustöödeks müüritises ning betoonpindade viimistlemiseks.

- ▶ Kasutage selle toote jaoks ainult B 22 tüüpi **Hilti** liitiumioonakusid.
- ▶ Selle toote puhul kasutage üksnes **Hilti** B22-seeria liitiumioon-akusid.

3.3 Liitiumioonaku näidik

Liitiumioonaku laetuse taset ja seadme häireid signaaliseeritakse liitiumioonaku näidiku abil. Liitiumioonaku laetuse taset näete, kui vajutate ühele kahest aku vabastusnupust.

Seisund	Tähendus
4 LED-tuld põlevad.	Laetuse tase: 75% kuni 100%
3 LED-tuld põlevad.	Laetuse tase: 50% kuni 75%
2 LED-tuld põlevad.	Laetuse tase: 25% kuni 50%
1 LED-tuli põleb.	Laetuse tase: 10% kuni 25%
1 LED-tuli vilgub.	Laetuse tase: < 10%



Aku laetuse taset ei saa näha ajal, mil juhtlüliti on alla vajutatud, samuti kuni 5 sekundi vältel pärast juhtlüliti vabastamist. Kui aku näidiku LED-tuled vilguvad, järgige punktis „Abi tõrgete puhul” toodud juhiseid.

3.4 Tarnekomplekt

Puurvasar, lisakäepide, sügavuspiirik, kasutusjuhend.

Muud süsteemitoodet leiata müügiesindusest **Hilti Store** või veebisaidilt: www.hilti.group

4 Tehnilised andmed

4.1 Puurvasar

	TE 6-A22
Nimipinge	21,6 V
Kaal EPTA Procedure 01 järgi koos akuga B228.0	3,8 kg
Nimipöörlemiskiirus tühikäigul	1 050 p/min
Puuritava ava läbimõõt betoonis/müüritises (löökpuurimine)	4 mm ... 28 mm
Puuritava ava läbimõõt puidus (täispuur)	3 mm ... 20 mm
Puuritava ava läbimõõt metallis (täispuur)	3 mm ... 13 mm

4.2 Andmed müra ja vibratsiooni kohta vastavalt standardile EN 62841

Käesolevas juhendis märgitud helirõhu- ja vibratsioonitase on mõõdetud standarditud mõõtemeetodil ja seda saab kasutada elektriliste tööriistade omavaheliseks võrdlemiseks. See sobib ka vibratsiooni- ja mürataseme esialgseks hindamiseks.

Toodud näitajad iseloomustavad elektrilise tööriista põhilisi ettenähtud töid. Kui aga elektrilist tööriista kasutatakse muul otstarbel, teiste tarvikutega või kui tööriista on ebapiisavalt hooldatud, võivad näitajad käesolevas juhendis toodud näitajatest kõrvale kalduda. See võib vibratsiooni- ja mürataset töötamise koguperioodil tunduvalt suurendada.

Müra- ja vibratsioonitaseme täpseks hindamiseks tuleb arvesse võtta ka aega, mil elektriline tööriist oli välja lülitatud või küll sisse lülitatud, kuid tegelikult tööle rakendamata. See võib vibratsiooni- ja mürataset töötamise koguperioodil tunduvalt vähendada.

Kasutaja kaitseks müra ja/või vibratsiooni eest võtke tarvitusele täiendavaid kaitsemeetmeid, näiteks: hooldage elektrilist tööriista ja tarvikuid korralikult, hoidke käed soojad, tagage sujuv töökorraldus.



Mürateave

Helivõimsustase (L_{WA})	100 dB(A)
Helirõhutase (L_{pA})	89 dB(A)
Möötemääramatus (heli väärtused) (K_{pA} ja K_{WA})	3 dB(A)

Vibratsiooni kogutase

		TE 6-A22
Betooni löökpuurimine ($a_{h, HD}$)	B 22/2.6 Li-Ion (02)	19,9 m/s ²
	B 22/8.0 Li-Ion	17,1 m/s ²
Möötemääramatus betooni	B 22/2.6 Li-Ion (02)	2,1 m/s ²
	B 22/8.0 Li-Ion	1,5 m/s ²
meiseldamine ($a_{h, Cheq}$)	B 22/2.6 Li-Ion (02)	10,9 m/s ²
	B 22/8.0 Li-Ion	12,1 m/s ²
Möötemääramatus Meiseldamine	B 22/2.6 Li-Ion (02)	1,5 m/s ²
	B 22/8.0 Li-Ion	1,5 m/s ²

4.3 Aku

Aku tööpinge	21,6 V
Ümbritseva keskkonna temperatuur töötamise ajal	-17 °C ... 60 °C
Hoiutemperatuur	-20 °C ... 40 °C
Aku temperatuur laadimise alguses	-10 °C ... 45 °C

5 Käsitsemine

5.1 Töö ettevalmistamine

HOIATUS

Vigastuste oht soovimatu käivitumise tõttu!

- ▶ Enne aku paigaldamist veenduge, et selle juurde kuuluv seade on välja lülitatud.
- ▶ Enne seadme seadistamist ja tarvikute vahetamist eemaldage seadmest aku.

Järgige kasutusjuhendis esitatud ja tootele märgitud ohutusnõudeid ja hoiatusi.

5.2 Aku paigaldamine

ETTEVAATUST

Vigastuste oht! Puurvasara soovimatu käivitumine.

- ▶ Enne aku sissepanekut veenduge, et puurvasar on välja lülitatud ja reversiivlülit on keskasendis (sisselülitustõkis).

1. Asetage aku seadme hoidikusse, nii et fikseerub kuuldavalt kohale.
2. Kontrollige aku kindlat kinnitumist.

5.3 Aku eemaldamine

1. Vajutage aku vabastusnuppudele.
2. Tõmmake aku suunaga taha välja.

5.4 Lisakäepideme paigaldamine

ETTEVAATUST

Vigastuste oht! Kontrolli kaotus seadme üle.

- ▶ Veenduge, et lisakäepide on korrektselt paigaldatud ja nõuetekohaselt kinnitatud. Veenduge, et kinnitusriba asub seadme vastavas soones.



1. Keerake käepidemest, et lisakäepideme kinnitusmehhanismi (kinnitusriba) vabastada.
2. Lükake sügavuspiirik eest selleks ette nähtud 2 juhtauku.
3. Keerake käepidemest, et lisakäepideme kinnitusmehhanismi (kinnitusriba) kinni pingutada.

5.5 Sügavuspiiriku paigaldus ja reguleerimine

- ▶ Vajaduse korral paigaldage sügavuspiirik ja reguleerige see välja.

5.6 Padruni paigaldamine/eemaldamine

ETTEVAATUST

Vigastuste oht! Kui sügavuspiirik on paigaldatud, kuid seda ei kasutata, võib see kasutajat segada.

- ▶ Eemaldage lisakäepide seadme küljest.

- ▶ Paigaldage/eemaldage padrun.

5.7 Tarviku paigaldamine

1. Määrige tarviku padrunisse kinnitavat osa veidi.
 - ▶ Kasutage üksnes **Hilti** originaalmääret. Vale määre võib seadet kahjustada.
2. Torgake tarvik lõpuni padrunisse ja laske kohale fikseeruda.
3. Pärast paigaldamist tõmmake tarvikust, et kontrollida, kas see on kindlalt kinni.
 - ▶ Seade on töövalmis.

5.8 Tarviku eemaldamine

- ▶ Tõmmake padruni lukustus lõpuni tagasi ja eemaldage tarvik.

5.9 Pea kohal tehtavad tööd

- ▶ Pea kohal tehtavate tööde korral paigaldage tolmu kogumisrõngas DCD.

5.10 Meisli positsioneerimine

- ▶ Seadke töörežiimilüliti asendisse ↗.

6 Töötamine

ETTEVAATUST

Vigastuste oht vale käsitlemise tõttu!

- ▶ Ärge vajutage reverslülile või funktsiooni valiku lülile ajal, mil seade töötab.

Järgige kasutusjuhendis esitatud ja tootele märgitud ohutusnõudeid ja hoiatusi.

6.1 Töörežiimilüliti

- ▶ Seadke töörežiimilüliti soovitud tööasendisse.
 - ▶ Töörežiimilüliti ei tohi käsitseda seadme töötamise ajal. **Vigastuste oht!**

6.2 Parem/vasak käik

- ▶ Seadke reverslüliti soovitud pöörlemissuuna asendisse.

6.3 Löögita puurimine

- ▶ Seadke töörežiimilüliti asendisse .

6.4 Löökpuurimine

- ▶ Seadke töörežiimilüliti asendisse .



6.5 Meiseldamine

- ▶ Seadke töörežiimilüliti asendisse **T**.
 - ▶ Mootori optimaalseks jahutamiseks valige parem käik (pöörlemissuund puurimisel).

7 Hooldus ja korrashoid

7.1 Hooldus ja korrashoid

HOIATUS

Vigastuste oht paigaldatud aku korral !

- ▶ Enne mis tahes hooldus- ja korrashoiutöid eemaldage seadmest aku!

Toote hooldus

- Kõvasti kinni olev mustus eemaldage ettevaatlikult.
- Ventilatsiooniavad puhastage ettevaatlikult kuiva, pehme harjaga.
- Puhastage korpust ainult veidi niiske lapiga. Ärge kasutage silikooni sisaldavaid hooldusvahendeid, sest need võivad kahjustada seadme plastdetaili.
- Seadme kontaktide puhastamiseks kasutage puhast kuiva lappi.

Litium-ioonakude hooldus

- Ärge kunagi kasutage akut, mille ventilatsiooniavad on ummistunud. Puhastage ventilatsiooniavad ettevaatlikult kuiva, pehme harjaga.
- Kaitske akut tolmu ja mustuse eest. Ärge jätke akut kunagi suure niiskuse kätte (ärge asetage seda vette ja ärge jätke vihma kätte).
Kui aku on märjaks saanud, siis käsitlege seda nii, nagu oleks see kahjustatud. Isoleerige aku tulekindlas anumas ja pöörduge **Hilti** hooldekeskusesse.
- Hoidke aku puhas õlist ja rasvast. Vältige akuse asjatult tolmu ja mustuse kogunemist. Puhastage akut kuiva pehme harjaga või puhta kuiva lapiga. Ärge kasutage silikooni sisaldavaid hooldusvahendeid, sest need võivad kahjustada seadme plastdetaili.
Ärge puudutage aku kontakte ja ärge eemaldage kontaktidelt tehases peale kantud mäaret.
- Puhastage korpust ainult veidi niiske lapiga. Ärge kasutage silikooni sisaldavaid hooldusvahendeid, sest need võivad kahjustada seadme plastdetaili.

Korrashoid

- Kontrollige regulaarselt, kas kõik nähtavad osad on terved ja juhtelemendid töötavad veatult.
- Ärge kasutage seadet kahjustuste ja/või tõrgete korral. Laske seade kohe parandada **Hilti** hooldekeskuses.
- Pärast hooldus- ja korrashoiutöid paigaldage kõik kaitseseadised ja kontrollige, kas need töötavad veatult.



Ohutu töö tagamiseks kasutage ainult originaalvaruosi ja -materjale. **Hilti** heakskiidetud varuosad, materjalid ja lisatarvikud oma tootele leiate müügiesindusest **Hilti Store** või veebilehelt: www.hilti.group

7.2 Tolmukaitsekatte puhastamine

- ▶ Puhastage padruni tolmukaitsekate regulaarselt puhta kuiva lapiga.
- ▶ Pühkige tihend ettevaatlikult puhtaks ja määrige seda kergelt **Hilti** määrdega.
- ▶ Kui tihend on kahjustatud, tuleb tolmukaitsekate välja vahetada.

8 Transport ja hoiustamine

8.1 Akutööriistade ja akude transport ja ladustamine

Transport

ETTEVAATUST

Soovimatu käivitumine transportimisel !

- ▶ Transportige tooteid ilma akudeta!
- ▶ Eemaldage aku/akud.



- ▶ Ärge kunagi transportige akusid lahtiselt. Enne aku transportimist tuleb aku pakendada nii, et see oleks kaitstud löökide ja vibratsiooni eest ning isoleeritud kõikidest elektri juhtivatest materjalidest või teistest akudest, et vältida kokkupuudet teise aku poolustega ning lühise teket. **Järgige akude transpordi suhtes kehtivaid riigisiseseid nõudeid.**
- ▶ Akusid ei tohi saata posti teel. Kahjustamata akude saatmiseks pöörduge logistikaettevõtja poole.
- ▶ Iga kord enne kasutamist ning enne ja pärast pikemat transporti või hoiustamist kontrollige seadet ja akusid vigastuste suhtes.

Hoiustamine



HOIATUS

Defektsed akud või lekkivad akud võivad tekitada vigastusi !

- ▶ Kasutusvälisel ajal eemaldage seadmest aku!
- ▶ Hoidke seadet ja akusid jahedas ja kuivas kohas. Pidage kinni tehnilistes andmetes toodud temperatuuripiirangutest.
- ▶ Ärge hoidke akusid laadimisseadmes. Pärast laadimist eemaldage aku laadimisseadmest.
- ▶ Ärge hoidke akusid päikese käes, radiaatori peal või klaasi taga.
- ▶ Hoidke seadet ja akusid lastele ja kõrvalistele isikutele ligipääsmatus kohas.
- ▶ Iga kord enne kasutamist ning enne ja pärast pikemaajalist seismist kontrollige seadet ja akusid kahjustuste suhtes.

9 Abi tõrgete puhul

Kui peaks esinema tõrge, mida ei ole järgmises tabelis nimetatud või mida Te ei suuda ise kõrvaldada, pöörduge **Hilti** hooldekeskusse.

9.1 Puurvasarat ei saa tööle rakendada

Tõrge	Võimalik põhjus	Lahendus
Aku LED-tuled on kustunud.	Aku ei ole täielikult sisse pandud.	▶ Laske akul topeltklõpsuga kohale fikseeruda.
	Aku on tühi.	▶ Vahetage aku ja laadige tühi aku täis.
	Aku on liiga kuum või liiga külm.	▶ Laske akul jahtuda või toatemperatuurini soojeneda.
Akul vilgub 1 LED-tuli.	Aku on tühi.	▶ Vahetage aku ja laadige tühi aku täis.
	Aku on liiga kuum või liiga külm.	▶ Laske akul jahtuda või toatemperatuurini soojeneda.
Akul vilguvad 4 LED-tuld.	Puurvasarale on avaldunud lühiajaliselt ülekoormus.	▶ Vabastage juhtlüliti ja vajutage sellele uuesti.

9.2 Puurvasarat saab tööle rakendada

Tõrge	Võimalik põhjus	Lahendus
Puudub löögifunktsioon.	Puurvasar on liiga külm.	▶ Asetage puurvasar maha ja laske sellel töötada tühikäigul. Vajaduse korral korrake toimingut, kuni löögimehhanism töötab.
	Töörežiimilüliti on asendis "Löögita puurimine" .	▶ Seadke töörežiimilüliti asendisse "Löökpuurimine" .
Juhtlüliti ei saa alla vajutada või see on kinni kiilunud.	Reversiivlüliti on keskasendis.	▶ Lükake reversiivlüliti vasakule või paremale.
Spindel ei pöörle.	Puurvasara elektroonika temperatuur on lubatud töötemperatuurist kõrgem.	▶ Laske seadmel jahtuda.



Tõrge	Võimalik põhjus	Lahendus
Spindel ei pöörle.	Aku on tühi.	▶ Vahetage aku ja laadige tühi aku täis.
	Töörežiimilüliti ei ole kohale fikseerunud või on asendis "Meiseldamine" T või "Meisli positsioneerimine" → .	▶ Seadke töörežiimilüliti asendisse "Löögita puurimine" ⚡ või "Löökpuurimine" ⚡T .
Puurvasar lülitub automaatselt välja.	Rakendub ülekoormuskaitse.	▶ Vabastage juhtlüliti. Laske puurvasaral jahtuda. Vajutage juhtlüliti uuesti alla. Vähendage seadmele avalduvat koormust.
Aku tühjeneb tavalisest kiiremini.	Ümbritseva keskkonna väga madal temperatuur.	▶ Laske akul aeglaselt ruumitemperatuurini soojeneda.
Aku ei fikseeru kuuldava topelklõpsuga kohale.	Aku fiksaatorninad on määrdunud.	▶ Puhastage fiksaatorninad ja paigaldage aku uuesti.
Puurvasar või aku läheb väga kuumaks.	Elektriga seotud rike	▶ Lülitage puurvasar kohe välja. Eemaldage aku ja ärge jätke seda järelevalveta. Laske akul jahtuda. Võtke ühendust Hilti hooldekeskusega.
	Puurvasarale on avaldunud ülekoormus.	▶ Kasutage võimsamat seadet.
Tarvikut ei saa padrunist vabastada.	Padrun ei ole täielikult tagasi tõmmatud.	▶ Tõmmake padrun lõpuni tagasi ja eemaldage tarvik.
Tarvik ei tungi sisse.	Puurvasar on lülitatud vasakkäigule.	▶ Seadke reversiivlüliti paremkäigule.
	Töörežiimilüliti on asendis "Löögita puurimine" ⚡ .	▶ Seadke töörežiimilüliti asendisse "Löökpuurimine" ⚡T .

10 Täiendav lisatarvik

10.1 Tolmukogumisrõngas DCD

Tolmukogumisrõngast DCD kasutatakse **Hilti** puurvasara lisatarvikuna. See kogub kokku suure osa pea kohal tehtavate tööde puhul tekkivast tolmust ja seda saab kiiresti ja lihtsalt puurvasara külge kinnitada.

10.2 Tolmueemaldusmoodul TE DRS-6-A / TE DRS-6-A OSHA

Tolmueemaldusmoodulit TE DRS-6-A kasutatakse **Hilti** puurvasara TE 6-A22 tarvikuna. See kogub suure osa tekkivast tolmust kokku; kinnitamine puurvasara külge on kiire ja lihtne. Tolmueemaldusmoodulis on sisse ehitatud imiventilaator. Ventilatoril on oma mootor. Puurvasara sisselülitamisel saab moodul voolu puurvasara akust.

Tolmueemaldusmoodul ei sobi kasutamiseks metalli ja puidu töötlemisel.

Tingimused: TE DRS-6-A OSHA

TE DRS-6-A OSHA on kooskõlas direktiiviga OSHA 1926.1153 Table 1. See on varustatud filtripuhastusmehhanismiga.

10.2.1 Tolmueemaldusmooduli paigaldamine

Veenduge enne paigaldamist, et nii puurvasara kui ka tolmueemaldusmooduli kinnituspunktid ja elektrilised liidesed on tolmuvabad ja kergesti käsitsetavad.

1. Kontrollige tolmueemaldusmoodulit kahjustuste suhtes.
2. Kontrollige teleskoobi sujuvat liikumist.
3. Seadke puurvasara reversiivlüliti keskasendisse.
4. Eemaldage lisakäepideme küljest sügavuspiirik.
5. Lükake tolmueemaldusmoodul eestpoolt seadmele, kuni moodul fikseerub.



6. Pärast paigaldamist veenduge, et tolmuemaldusmoodul on korrektselt fikseerunud.

10.2.2 Puurimine tolmuemaldusmoodulit kasutades

1. Tolmuemaldusmooduli käivitamiseks vajutage puurvasara juhtnupule.
2. Hoidke juhtnuppu allavajutatuna seni, kuni saavutatud on maksimaalne imivõimsus.
3. Asetage imipea vertikaalselt pinnale.
4. Puurige auk ja tõmmake seade puuritud august aeglaselt välja, et kokku koguda võimalikult palju tolmu.

10.2.3 Tolmumahuti tühjendamine 13



Täitunud tolmumahuti või täitunud filter võivad põhjustada liigset tolmu ja neid tuleb korrapäraselt tühjendada.

Tühjendage tolmumahuti pärast 8-10 augu puurimist (16 mm x 50 mm) (5/8 in x 2 in).

Tekkiva tolmu koguse vähendamiseks hoidke tolmu suletud mahutis.

1. Hoidke seadet horisontaalselt ja laske sel veidi aega töötada.
 - ▶ Nii imetakse tolmuemaldusmoodulisse ladestunud tolmu jäägid tolumamahutisse.
2. Vajutage tolumamahuti vabastusnupule ja hoidke seda all.
3. Tõmmake tolumamahuti suunaga alla tolmuemaldusmoodulist välja.
4. Tühjendage tolumamahuti.
 - ▶ Filter on määrdunud.
 - ▶ Vahetage filter välja.
 - ▶ Filter on puhas.
5. Lükake tühi tolumamahuti alt tolmuemaldusmoodulisse ja laske kohale fikseeruda.

10.2.4 TE-DRS-OSHA-filtri puhastamine 14



Puhastage filtrit pärast 5 augu puurimist (16 mm x 50 mm) (1/2 in x 3 in).

- ▶ Kui imivõimsus väheneb, suruge puhastusmehhanismi 5 korda edasi ja tagasi, kuni kõlab klõps.

10.2.5 Tolmuemaldusmooduli eraldamine 15

1. Seadke puurvasara reversiivlüliti keskasendisse.
2. Vajutage alla DRS vabastusnupp ja hoidke seda all.
3. Tõmmake tolmuemaldusmoodul suunaga ette seadme küljest ära.

11 Utiliseerimine



HOIATUS

Valest käitlemisest tingitud vigastuste oht! Eralduvad gaasid või vedelikud on terviseohtlikud.

- ▶ Ärge saatke kahjustada saanud akusid posti teel!
- ▶ Lühise vältimiseks katke akukontaktid elektrit mittejuhtiva materjaliga.
- ▶ Käideldge akusid nii, et need ei satu laste kätte.
- ▶ Utiliseerige aku **Hilti Store** esinduses või pöörduge asjaomase jäätmekäitlusettevõtte poole.



Enamik **Hilti** seadmete valmistamisel kasutatud materjalidest on taaskasutatavad. Taaskasutuse eelduseks on materjalide korralik sorteerimine. Paljudes riikides kogub **Hilti** kasutusressursi ammendanud seadmed kokku. Lisateavet saate **Hilti** müügiesindusest.



- ▶ Ärge visake kasutusressursi ammendanud elektrilisi tööriistu, elektroonikaseadmeid ja akusid olmejäätmete hulka!

12 RoHS (direktiiv ohtlike ainete kasutamise piirangute kohta)

Järgmiselt lingilt leiade ohtlike ainete tabeli: qr.hilti.com/r4695.

RoHS-tabeli juurde viiva lingi leiade käesoleva dokumendi lõpust QR-koodina.



13 Тootja garantii

- ▶ Гарантиitingimusi puudutavates küsimustes pöörduge oma kohaliku **Hilti** partneri poole.

Оригінальна інструкція з експлуатації

1 Інформація щодо інструкції з експлуатації

1.1 Про цю інструкцію з експлуатації

- Перш ніж розпочинати роботу з інструментом, прочитайте цю інструкцію з експлуатації. Це є передумовою безпечної роботи та відсутності несправностей під час застосування інструмента.
- Дотримуйтеся попереджувальних вказівок та вказівок з техніки безпеки, наведених у цій інструкції з експлуатації та на корпусі інструмента.
- Завжди зберігайте інструкцію з експлуатації поблизу виробу та передавайте його іншим особам тільки разом із цією інструкцією з експлуатації.

1.2 Пояснення символів

1.2.1 Попереджувальні вказівки

Попереджувальні вказівки інформують користувача про фактори небезпеки, пов'язані із застосуванням інструмента. Використовуються такі сигнальні слова:

НЕБЕЗПЕКА

НЕБЕЗПЕКА !

- ▶ Указує на безпосередню небезпеку, що може призвести до отримання тяжких тілесних ушкоджень або навіть до смерті.

ПОПЕРЕДЖЕННЯ

ПОПЕРЕДЖЕННЯ !

- ▶ Указує на потенційно небезпечну ситуацію, яка може призвести до отримання тяжких тілесних ушкоджень або навіть смерті.







ОБЕРЕЖНО

ОБЕРЕЖНО !

- ▶ Указує на потенційно небезпечну ситуацію, яка може призвести до отримання тілесних ушкоджень або до матеріальних збитків.

1.2.2 Символи в інструкції з експлуатації

У цій інструкції з експлуатації використовуються такі символи:

	Дотримуйтеся вказівок, наведених в інструкції з експлуатації
	Указівки щодо експлуатації та інша корисна інформація
	Поводження з матеріалами, придатними для вторинної переробки
	Не викидайте електроінструменти і акумуляторні батареї у баки для побутового сміття
	Hilti Літій-іонна акумуляторна батарея
	Hilti Зарядний пристрій

1.2.3 Символи на ілюстраціях

На ілюстраціях використовуються такі символи:



2	Цифрами позначаються відповідні ілюстрації, наведені на початку цієї інструкції з експлуатації.
3	Наведена на рисунках нумерація позначає порядок виконання важливих робочих кроків або показує важливі деталі, необхідні для виконання цих робочих кроків. У тексті ці робочі кроки або деталі виділяються відповідними цифрами, наприклад (3) .
11	Номера позицій, наведені на оглядовій ілюстрації , відповідають номерам у легенді, що представлена у розділі « Огляд продукту ».
	Цей символ позначає аспекти, на які слід звернути особливу увагу під час застосування інструмента.

1.3 Символи, що обумовлені типом інструмента

1.3.1 Символи

На інструменті можуть бути наведені такі символи:

	Безударне свердління отворів
	Ударне свердління отворів
	Довбання отворів
	Позиціонування зубила
	Обертання за годинниковою стрілкою/проти годинникової стрілки
n_0	Номінальна швидкість обертання під час холостого ходу
	Постійний струм
Li-Ion	Літій-іонна акумуляторна батарея
	Використовуваний тип літій-іонної акумуляторної батареї Hilti . Дотримуйтеся вказівок, наведених у розділі « Використання за призначенням ».
	Ніколи не використовуйте акумуляторну батарею у якості ударного інструмента.
	Не допускайте падіння акумуляторної батареї. Не використовуйте акумуляторну батарею, яка зазнала ударного навантаження або була пошкоджена іншим чином.
	Інструмент підтримує технологію NFC та є сумісним із платформами iOS та Android.

1.4 Інформація про інструмент

Інструменти призначені для професійного використання, а тому їхню експлуатацію, технічне обслуговування та ремонт слід доручати лише авторизованому персоналу зі спеціальною підготовкою. Цей персонал повинен бути спеціально проінструктований про можливі ризики. Інструмент та допоміжне приладдя можуть стати джерелом небезпеки у разі їхнього неправильного застосування некваліфікованим персоналом або у разі використання не за призначенням.

Тип та серійний номер зазначені на заводській табличці.

- Перепишіть серійний номер у наведену нижче таблицю. При оформленні запитів до нашого представництва та до сервісної служби вказуйте інформацію про інструмент.

Інформація про інструмент

Перфоратор	TE 6-A22
Версія	04
Серійний номер	

1.5 Сертифікат відповідності

Зі всією належною відповідальністю заявляємо, що описаний у цьому документі інструмент відповідає діючим директивам і стандартам. Копія сертифіката відповідності наведена у кінці цього документа.



2 Безпека

2.1 Загальні вказівки з техніки безпеки при роботі з електроінструментами

⚠ ПОПЕРЕДЖЕННЯ! Уважно прочитайте усі вказівки та інструкції з техніки безпеки, ознайомтеся з малюнками та технічними даними цього електроінструмента. Щонайменше недотримання наведених нижче вказівок може призвести до ураження електричним струмом, займання та/або отримання тяжких травм.

Збережіть всі інструкції та вказівки з техніки безпеки – вони можуть знадобитися Вам у майбутньому.

Термін «електроінструмент», який використовується у вказівках з техніки безпеки, позначає як електроінструменти, що працюють від електричної мережі (із кабелем живлення), так і електроінструменти, що працюють від акумуляторної батареї (без кабелю живлення).

Безпека на робочому місці

- ▶ **Дбайте про чистоту та достатнє освітлення робочого місця.** Безлад на робочому місці та недостатнє освітлення можуть стати причиною нещасних випадків.
- ▶ **Не працюйте з електроінструментом у вибухонебезпечному середовищі, що містить легкозаймисті рідини, гази або пил.** Під час роботи електроінструментів утворюються іскри, від яких можуть зайнятися легкозаймисті випари або пил.
- ▶ **Подбайте про те, щоб під час використання електроінструмента поблизу не було дітей та сторонніх осіб.** Щонайменше відволікання може призвести до втрати контролю над інструментом.

Електрична безпека

- ▶ **Штепсельна вилка електроінструмента повинна підходити до розетки живлення. Забороняється вносити зміни до конструкції штепсельної вилки. Не дозволяється застосовувати перенесені штепсельні вилки в електроінструментах із захисним заземленням.** У разі використання оригінальних штепсельних вилок і відповідних розеток знижується ризик ураження електричним струмом.
- ▶ **Під час роботи намагайтеся не торкатися заземлених поверхонь, наприклад труб, радіаторів опалення, печей та холодильників.** Якщо Ваше тіло перебуває в контакті із системою заземлення, існує підвищений ризик ураження електричним струмом.
- ▶ **Захищайте електроінструменти від дощу та вологи.** У разі проникнення води в електроінструмент підвищується ризик ураження електричним струмом.
- ▶ **Використовуйте з'єднувальний кабель тільки за призначенням, не переносьте за нього електроінструмент, не користуйтеся ним для підвішування інструмента та не тримайтеся за нього, дістаючи штепсельну вилку з розетки.** Оберегайте з'єднувальний кабель від впливу високих температур, від дії мастил та контакту з гострими кромками або рухомими частинами інструмента. Пошкоджені або заплутані з'єднувальні кабелі підвищують ризик ураження електричним струмом.
- ▶ **Працюючи з електроінструментом під відкритим небом, використовуйте лише подовжувальний кабель, придатний для зовнішнього застосування.** Використання подовжувального кабелю, призначеного для зовнішнього застосування, зменшує ризик ураження електричним струмом.
- ▶ **Якщо неможливо уникнути експлуатації електроінструмента за умов підвищеної вологості, використовуйте автомат захисту від струму витoku.** Використання автомата захисту від струму витoku зменшує ризик ураження електричним струмом.

Безпека персоналу

- ▶ **Будьте уважними, зосередьтеся на виконуваній операції, до роботи з електроінструментом ставтеся серйозно.** Не користуйтеся електроінструментом, якщо Ви втомлені або перебуваєте під дією наркотичних речовин, алкоголю або лікарських засобів. Під час роботи з електроінструментом не відволікайтеся ні на мить, оскільки це може призвести до отримання серйозних травм.
- ▶ **Використовуйте засоби індивідуального захисту і завжди надягайте захисні окуляри.** Використання засобів індивідуального захисту, наприклад респіратор, захисного взуття на нековзній підшві, захисного шолома або шумозахисних навушників – залежно від різновиду електроінструмента та особливостей його застосування – зменшує ризик травмування.
- ▶ **Уникайте випадкового вмикання електроінструмента.** Переконайтеся в тому, що електроінструмент вимкнений, перш ніж вставляти штепсельну вилку в розетку живлення та/або приєднувати акумулятор, піднімати електроінструмент або переносити його. Якщо під час пе-



ренесення електроінструмента тримати палець на вимикачі або приєднувати інструмент до джерела живлення увімкненим, це може призвести до нещасного випадку.

- ▶ **Перш ніж вмикати електроінструмент, від'єднайте від нього все налагоджувальне приладдя або гайкові ключі.** Приладдя або ключ, що знаходяться в обертовому вузлі інструмента, можуть стати причиною отримання травм.
- ▶ **Уникайте виконання роботи в незручній позі.** Під час виконання робіт ставайте в стійку позу і намагайтеся повсякчас утримувати рівновагу. Це дозволить Вам більш упевнено контролювати електроінструмент у разі виникнення несподіваних обставин.
- ▶ **Надягайте відповідний робочий одяг.** Не надягайте для роботи занадто просторий одяг та прикраси. Слідкуйте за тим, щоб волосся, одяг та робочі рукавиці знаходилися подалі від обертових частин інструмента. Просторий одяг, прикраси або довге волосся можуть бути захоплені рухомими частинами інструмента.
- ▶ **Якщо передбачена можливість установа системи пиловидалення та пилозбірників, обов'язково переконайтеся в тому, що вони правильно приєднані й використовуються належним чином.** Застосування системи видалення пилу дозволяє зменшити негативний вплив пилу на персонал.
- ▶ **Не можна нехтувати правилами безпеки під час роботи з електроінструментами навіть у тому випадку, коди Ви добре знайомі з тим чи іншим електроінструментом.** Якщо користуватися інструментом необережно, лише малої частки секунди може бути достатньо для отримання тяжких травм.

Використання електроінструмента та належний догляд за ним

- ▶ **Не допускайте перенавантаження інструмента.** Завжди використовуйте електроінструмент, призначений для виконання відповідної роботи. При використанні належного електроінструмента забезпечуються більш висока якість та безпека виконання робіт у вказаному діапазоні продуктивності.
- ▶ **Не використовуйте електроінструмент із пошкодженням вимикачем.** Електроінструмент, який неможливо вмикати або вимикати, є небезпечним і підлягає ремонту.
- ▶ **Перш ніж розпочинати налаштування інструмента, виконувати заміну приладдя або робити перерву в роботі, не забудьте вийняти штепсельну вилку з розетки та/або вийняти з інструмента змінну акумуляторну батарею.** Такий запобіжний захід допоможе уникнути випадкового вмикання електроінструмента.
- ▶ **Електроінструменти, що не використовуються, зберігайте в недоступному для дітей місці.** Не дозволяйте користуватися інструментом особам, які не ознайомлені з ним або не прочитали ці вказівки. У руках недосвідчених людей електроінструменти являють собою серйозну небезпеку.
- ▶ **Електроінструменти та їх приладдя потребують дбайливого догляду.** Ретельно перевіряйте, чи бездоганно працюють та чи не заклинюють рухомі частини, чи не зламалися або не зазнали інших пошкоджень деталі, від яких залежить справна робота електроінструмента. Перед початком роботи з інструментом пошкоджені деталі слід відремонтувати. Багатьох нещасних випадків можна уникнути за умови належного технічного обслуговування електроінструментів.
- ▶ **Слідкуйте за тим, щоб ріжучі інструменти завжди залишалися чистими та належним чином заточеними.** Дбайливо доглянутий ріжучий інструмент із гострими різальними кромками не так часто заклинюється, і з ним легше працювати.
- ▶ **Під час експлуатації електроінструмента, приладдя до нього, робочих інструментів тощо дотримуйтеся наведених у цьому документі вказівок.** При цьому завжди враховуйте умови в місці виконання робіт та дії, яких вимагає поставлене завдання. Використання електроінструментів не за призначенням може призвести до виникнення небезпечних ситуацій.
- ▶ **Слідкуйте за тим, щоб поверхні рукояток були чистими та сухими, та не допускайте їхнього забруднення мастилом.** Якщо поверхні рукояток слизькі, це унеможливіє впевнене контролювання електроінструмента у непередбачених ситуаціях.

Використання акумуляторного інструмента та належний догляд за ним

- ▶ **Для заряджання акумуляторних батарей застосовуйте лише зарядні пристрої, рекомендовані виробником.** Зарядний пристрій, придатний для заряджання акумуляторних батарей певного типу, може спричинити пожежу, якщо його застосовувати для заряджання акумуляторних батарей інших типів.
- ▶ **Для живлення електроінструментів застосовуйте лише спеціально призначені для цього акумуляторні батареї.** Застосування інших акумуляторних батарей може призвести до отримання травм і виникнення пожежі.
- ▶ **Акумуляторну батарею, яка не використовується, тримайте подалі від канцелярських скріпок, монет, ключів, цвяхів, гвинтів та інших дрібних металевих предметів, які могли б спричинити коротке замикання її контактів.** Коротке замикання контактів акумуляторної батареї може призвести до отримання опіків або до виникнення пожежі.



- ▶ У разі неправильного застосування з акумуляторної батареї може пролитися рідина. Уникайте контакту з нею. У разі випадкового контакту цієї рідини зі шкірою негайно промийте уражене місце достатньою кількістю води. Якщо рідина потрапила в очі, рекомендується додатково звернутися по лікарську допомогу. Пролита з акумуляторної батареї рідина може призвести до подразнення шкіри або отримання опіків.
- ▶ Не використовуйте акумуляторну батарею, якщо вона пошкоджена або якщо її конструкція була змінена. Пошкоджені або модифіковані акумуляторні батареї вкрай ненадійні та становлять небезпеку пожежі, вибуху або травмування.
- ▶ Не піддавайте акумуляторну батарею впливу вогню або високих температур. Вогонь або температури понад 130 °C (265 °F) можуть спричинити вибух.
- ▶ Дотримуйтеся вказівок щодо заряджання. Ніколи не заряджайте акумуляторну батарею або акумуляторний інструмент в умовах, що виходять за межі температурного діапазону, зазначеного в інструкції з експлуатації. Неналежне заряджання або заряджання за межами зазначеного температурного діапазону може призвести до руйнування акумуляторної батареї та підвищує ризик займання.

Сервісне обслуговування

- ▶ Доручайте ремонт електроінструмента лише кваліфікованому персоналу зі спеціальною підготовкою за умови використання тільки оригінальних запасних частин. Це забезпечить функціональність інструмента.
- ▶ Забороняється здійснювати технічне обслуговування пошкоджених акумуляторних батарей. У будь-яких випадках технічне обслуговування акумуляторних батарей повинен здійснювати виробник або уповноважена служба технічного обслуговування.

2.2 Вказівки з техніки безпеки стосовно роботи з перфоратором

Указівки з техніки безпеки для виконання усіх типів робіт

- ▶ Використовуйте захисні навушники. Тривалий вплив шуму може призвести до втрати слуху.
- ▶ Використовуйте додаткові рукоятки, що входять до комплексу постачання інструмента. Адже втрата контролю над інструментом може стати причиною травмування.
- ▶ Якщо під час виконання робіт змінний робочий інструмент може натрапити на приховану електропроводку, утримуйте інструмент за ізольовані поверхні рукояток. У разі контакту з електричним дротом, який знаходиться під напругою, металеві деталі інструмента також потраплять під напругу, а це може призвести до ураження електричним струмом.

Указівки з техніки безпеки під час застосування довгих свердел

- ▶ Завжди розпочинайте свердління за низької швидкості обертання, попередньо встановивши свердло на оброблюваний об'єкт. Якщо свердло обертається із більшою швидкістю, то під час вільного обертання без контакту з оброблюваним об'єктом воно може деформуватися, що у свою чергу може спричинити травми.
- ▶ На свердло дозволяється натискати лише у поздовжньому напрямку, не докладаючи при цьому надмірних зусиль. Невиконання цієї вказівки може призвести до руйнування свердла внаслідок його деформування або спричинити травми внаслідок втрати контролю над інструментом.

2.3 Додаткові вказівки з техніки безпеки під час роботи з перфоратором

Безпека персоналу

- ▶ Користуйтеся лише повністю справним інструментом та приладам.
- ▶ Вносити будь-які зміни до конструкції інструмента або приладдя заборонено.
- ▶ Використовуйте додаткові рукоятки, що входять до комплексу постачання інструмента. Втрата контролю над інструментом може стати причиною травмування.
- ▶ Під час наскрізної обробки укріпіть відповідну ділянку поверхні з протилежного боку деталі. Осколки можуть розлітатися у різні боки та/або вниз і травмувати інших людей.
- ▶ Завжди міцно тримайте інструмент обома руками за передбачені для цього рукоятки. Слідкуйте за тим, щоб рукоятки були сухими та чистими.
- ▶ Якщо під час виконання робіт існує ймовірність того, що змінний робочий інструмент може натрапити на приховану електропроводку, утримуйте інструмент за ізольовані поверхні рукояток. У разі контакту з електричним кабелем, який знаходиться під напругою, металеві деталі інструмента також потраплять під напругу, а це може призвести до ураження електричним струмом.
- ▶ Уникайте контакту з деталями інструмента, що обертаються. Існує ризик отримання травми!
- ▶ Під час роботи з інструментом використовуйте захисні окуляри, каску, захисні навушники та відповідні засоби захисту органів дихання.



- ▶ Під час заміни робочого інструмента користуйтеся захисними рукавицями. Контакт зі змінним робочим інструментом може призвести до отримання порізів або опіків.
- ▶ Використовуйте захисні окуляри. Уламки матеріалу можуть завдати поранень або пошкодити очі.
- ▶ Пил, який утворюється під час шліфування, обробки наждачним папером, різання та свердління певних матеріалів, може містити небезпечні хімічні речовини. Деякі приклади таких матеріалів: свинець або фарби на основі свинцю; цегла, бетон та інші матеріали, що використовуються для споруджування стін, зокрема природний камінь та інші речовини, які містять силікати; певні види деревини, зокрема дуб або бук, а також деревина, яка пройшла хімічну обробку; азбест або матеріали, що містять азбест. Визначайте рівень впливу пилу на оператора та осіб, які знаходяться поблизу, приймаючи до уваги клас небезпеки оброблюваних матеріалів. Вживайте потрібних заходів, щоб утримувати вплив пилу на мінімально можливому рівні, зокрема використовуйте систему видалення пилу або відповідний респіратор. До загальних заходів, спрямованих на зменшення впливу пилу, належать такі:
 - ▶ виконання робіт на добре провітрюваній ділянці;
 - ▶ уникнення тривалого контакту з пилом;
 - ▶ недопущення контакту пилу з обличчям та тілом;
 - ▶ використання захисного одягу, а також миття засмічених ділянок водою з милом.
- ▶ Часто робіть перерви у роботі та виконуйте вправи на розминання пальців, щоб покращити кровообіг у них. Під час довготривалих робіт високочастотна вібрація може пошкодити судини або нерви у пальцях, руках або зап'ясткових суглобах.

Електрична безпека

- ▶ Перед початком роботи перевіряйте робоче місце на наявність прихованих електричних кабелів, газових та водопровідних труб. Якщо під час роботи будуть випадково пошкоджені електричні кабелі, газовий або водяний трубопровід, то їхній контакт із відкритими металевими деталями інструмента може спричинити ураження електричним струмом або вибух.

Належне використання електроінструментів та дбайливий догляд за ними

- ▶ Якщо сталося блокування змінного робочого інструмента, негайно вимкніть електроінструмент. Інструмент може відхилитися вбік.
- ▶ Зачекайте, доки змінний робочий інструмент повністю зупиниться, перш ніж знімати його з оброблюваного об'єкта.

2.4 Указівки з техніки безпеки відносно модуля пиловидалення

- ▶ Дотримуйтеся всіх указівок з техніки безпеки, наведених у цьому документі та на корпусі інструмента.
- ▶ Користуйтеся респіратором, щоб захистити обличчя та дихальні шляхи від залишків пилу, що потрапляють у повітря під час свердління отворів або під час технічного обслуговування інструмента.
- ▶ Якщо Ви встановили модуль пиловидалення, завжди користуйтеся боковою рукояткою перфоратора **Hilti**.

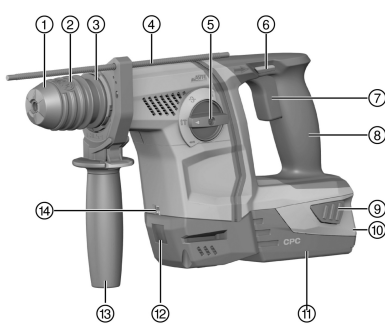
2.5 Застосування акумуляторних батарей та дбайливий догляд за ними

- ▶ Дотримуйтеся особливих указівок щодо транспортування, складського зберігання та застосування літій-іонних акумуляторних батарей.
- ▶ Не піддавайте акумуляторні батареї впливу високих температур, прямих сонячних променів та відкритого вогню.
- ▶ Акумуляторні батареї забороняється розбирати, роздавлювати, нагрівати до температури понад 80 °C (176 °F) або спалювати.
- ▶ Не використовуйте та не заряджайте акумуляторні батареї, які зазнали впливу ударного навантаження, впали з висоти більше одного метра або були пошкоджені іншим чином. У разі виникнення такої ситуації завжди звертайтеся до **сервісної служби** компанії **Hilti**.
- ▶ Якщо акумуляторна батарея гаряча на дотик, вона може бути пошкоджена. Залиште акумуляторну батарею у захищеному від вогню місці на достатній відстані від горючих матеріалів, де за нею можна спостерігати. Зачекайте, доки акумуляторна батарея не охолоне. Якщо через годину акумуляторна батарея все ще залишається гарячою на дотик, це свідчить про її несправність. Зверніться до **сервісної служби** компанії **Hilti**.



3 Опис

3.1 Огляд продукту



- ① Пилозахисний ковпак
- ② Затискний патрон
- ③ Пристрій для знімання змінного робочого інструмента
- ④ Обмежувач глибини
- ⑤ Перемикач функцій
- ⑥ Перемикач напрямку обертання за годинниковою стрілкою/проти годинникової стрілки з блокуванням від увімкнення
- ⑦ Вимикач
- ⑧ Рукоятка
- ⑨ Кнопки розблокування акумуляторної батареї
- ⑩ Індикатор стану заряду та несправності (літій-іонна акумуляторна батарея)
- ⑪ Акумуляторна батарея
- ⑫ Місце приєднання модуля для всмоктування пилу TE DRS-6-A(02)
- ⑬ Бокова рукоятка
- ⑭ Освітлення робочої зони

3.2 Використання за призначенням

Описаний у цьому документі інструмент являє собою перфоратор з акумуляторним живленням. Він призначений для свердління отворів у сталі, деревині та цегляній кладці, для ударного свердління отворів у бетоні та цегляній кладці, а також для загвинчування та розгвинчування гвинтів. Виріб може також бути використаний для легких довбальних робіт на цегляній кладці та для чистової обробки поверхні бетону.

- ▶ Використовуйте із цим інструментом лише літій-іонні акумуляторні батареї **Hilti** типу B 22.
- ▶ Використовуйте із цим інструментом лише літій-іонні акумуляторні батареї **Hilti** типу B22.

3.3 Індикатор літій-іонної акумуляторної батареї

Стан заряду літій-іонної акумуляторної батареї та несправності інструмента позначаються за допомогою індикатора літій-іонної акумуляторної батареї. Щоб відобразити стан заряду літій-іонної акумуляторної батареї, слід злегка натиснути на одну з деблокувальних кнопок акумуляторної батареї.

Стан	Значення
Горять 4 світлодіоди.	Стан заряду: від 75 % до 100 %
Горять 3 світлодіоди.	Стан заряду: від 50 % до 75 %
Горять 2 світлодіоди.	Стан заряду: від 25 % до 50 %
Горить 1 світлодіод.	Стан заряду: від 10 % до 25 %
Мигає 1 світлодіод.	Стан заряду: < 10 %

При натиснутому вимикачі та протягом 5 секунд після його відпускання перевірка стану заряду неможлива. Якщо світлодіодні індикатори акумуляторної батареї мигають, будь ласка, виконайте вказівки, наведені в розділі «Допомога у разі виникнення несправностей».

3.4 Комплект постачання

Перфоратор, бокова рукоятка, обмежувальний упор, інструкція з експлуатації.

Інше приладдя, допущене до експлуатації з Вашим інструментом, Ви можете придбати у **Hilti Store** або на веб-сайті www.hilti.group



4 Технічні дані

4.1 Перфоратор

	TE 6-A22
Номінальна напруга	21,6 В
Маса відповідно до ЕРТА Procedure 01 з акумуляторною батареєю B22&8.0	3,8 кг
Номінальна швидкість обертання під час холостого ходу	1 050 об/хв
Діапазон діаметрів отворів у бетоні/цегляній кладці (ударне свердління)	4 мм ... 28 мм
Діапазон діаметрів отворів у деревині (цільне свердло)	3 мм ... 20 мм
Діапазон діаметрів отворів у металі (цільне свердло)	3 мм ... 13 мм

4.2 Дані про шум та значення вібрації, виміряні згідно зі стандартом EN 62841

Наведені у цих рекомендаціях значення звукового тиску та вібрації були виміряні згідно з установленою процедурою вимірювання та можуть використовуватися для порівняння електроінструментів. Вони також придатні для попереднього оцінювання шумового та вібраційного навантаження.

Наведені дані обумовлюють переважні сфери застосування електроінструмента. Однак якщо Ви використовуєте його не за призначенням, застосовуєте нестандартне приладдя або неналежним чином здійснюєте догляд за інструментом, ці дані можуть відрізнитися від вказаних значень. Це може призвести до помітного збільшення шумового та вібраційного навантаження протягом усього робочого часу.

Для більш точної оцінки шумового та вібраційного навантаження необхідно враховувати також проміжки часу, протягом яких виріб залишається вимкненим або працює на холостому ході. Це може значно зменшити вібраційне та шумове навантаження протягом усього робочого часу.

Необхідно також вживати додаткових заходів безпеки з метою захисту працівників від дії шуму та/або вібрації, зокрема: проводити своєчасне технічне обслуговування електроінструмента та змінних робочих інструментів до нього, тримати руки у теплі, належним чином організовувати робочий процес.

Інформація про шум

Рівень шумової потужності (L_{WA})	100 дБ(A)
Рівень звукового тиску (L_{pA})	89 дБ(A)
Похибка (шум) (K_{pA} та K_{WA})	3 дБ(A)

Сумарне значення вібрації

		TE 6-A22
Ударне свердління отворів у бетоні ($a_{h, HD}$)	B 22/2.6 Li-Ion (02)	19,9 м/с ²
	B 22/8.0 Li-Ion	17,1 м/с ²
Похибка для ударного свердління отворів у бетоні	B 22/2.6 Li-Ion (02)	2,1 м/с ²
	B 22/8.0 Li-Ion	1,5 м/с ²
Довбання отворів ($a_{h, CHeg}$)	B 22/2.6 Li-Ion (02)	10,9 м/с ²
	B 22/8.0 Li-Ion	12,1 м/с ²
Похибка для довбання отворів	B 22/2.6 Li-Ion (02)	1,5 м/с ²
	B 22/8.0 Li-Ion	1,5 м/с ²

4.3 Акумуляторна батарея

Робоча напруга акумуляторної батареї	21,6 В
Температура навколишнього середовища під час роботи	-17 °C ... 60 °C
Температура зберігання	-20 °C ... 40 °C
Температура акумуляторної батареї на початку процесу заряджання	-10 °C ... 45 °C



5 Експлуатація

5.1 Підготовка до роботи

ПОПЕРЕДЖЕННЯ

Ризик отримання травм внаслідок непередбаченого увімкнення інструмента!

- ▶ Перш ніж установлювати акумуляторну батарею, переконайтеся, що відповідний інструмент вимкнений.
- ▶ Від'єднайте акумуляторну батарею, перш ніж задавати налаштування інструмента або заміняти приладдя.

Дотримуйтеся попереджувальних вказівок та вказівок з техніки безпеки, наведених у цьому документі та на корпусі інструмента.

5.2 Установлення акумуляторної батареї

ОБЕРЕЖНО

Ризик отримання травм! Випадкове увімкнення перфоратора.

- ▶ Перш ніж уставляти акумуляторну батарею, переконайтеся, що перфоратор вимкнений та заблокований від вмикання – перемикач напряму обертання за годинниковою стрілкою/проти годинникової стрілки повинен знаходитися у середньому положенні.

1. Уставте акумуляторну батарею у тримач на інструменті таким чином, щоб вона зафіксувалася із чітким характерним звуком.
2. Переконайтеся, що акумуляторна батарея надійно зафіксована в інструменті.

5.3 Виймання акумуляторної батареї

1. Натисніть на деблокувальні кнопки акумуляторної батареї.
2. Дістаньте акумуляторну батарею, потягнувши її у напрямку, протилежному напрямку встановлення.

5.4 Установлення бокової рукоятки

ОБЕРЕЖНО

Ризик отримання травм! Втрата контролю над інструментом.

- ▶ Переконайтеся в тому, що бокова рукоятка правильно змонтована і належним чином закріплена. Переконайтеся, що стяжна стрічка знаходиться у призначеному для неї пазу на інструменті.

1. Прокрутіть головку-фіксатор, щоб вивільнити тримач (стягну стрічку) бокової рукоятки.
2. Уставте обмежувальний упор спереду у передбачені для нього 2 напрямні отвори.
3. Прокрутіть головку-фіксатор, щоб зафіксувати тримач (стягну стрічку) бокової рукоятки.

5.5 Установлення та налаштування обмежувального упора

- ▶ За необхідності установіть обмежувальний упор та налаштуйте його.

5.6 Установлення/змінення затискного патрона

ОБЕРЕЖНО

Ризик отримання травм! Небезпека травмування користувача обмежувальним упором, який був встановлений, але не використовується.

- ▶ Зніміть з інструмента обмежувальний упор.

- ▶ Установіть/зніміть затискний патрон.

5.7 Установлення змінного робочого інструмента

1. Нанесіть мастило тонким шаром на хвостовик змінного робочого інструмента.
 - ▶ Використовуйте лише оригінальне мастило виробництва компанії **Hilti**. Використання неналежного мастила може спричинити несправність інструмента.



2. Установіть змінний робочий інструмент до упору у затискний патрон, щоб він зафіксувався.
3. Переконайтеся, що вставлений змінний робочий інструмент надійно зафіксований у патроні – для цього потягніть за робочий інструмент.
 - ▶ Інструмент готовий до роботи.

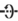
5.8 Виймання змінного робочого інструмента

- ▶ Відведіть фіксатор змінного робочого інструмента назад до упору та вийміть змінний робочий інструмент.

5.9 Свердління отворів над головою

- ▶ Установіть пиловловлювальне кільце DCD у разі свердління отворів над головою.

5.10 Позиціонування зубила

- ▶ Установіть перемикач функцій у положення .

6 Під час роботи

ОБЕРЕЖНО

Небезпека пошкодження обладнання внаслідок неналежного використання!

- ▶ Не натискайте на перемикач напряму обертання та/або на перемикач вибору функцій під час роботи інструмента.

Дотримуйтеся попереджувальних вказівок та вказівок з техніки безпеки, наведених у цьому документі та на корпусі інструмента.


6.1 Перемикач функцій

- ▶ Установіть перемикач функцій у потрібне робоче положення.
 - ▶ Під час роботи забороняється користуватися перемикачем функцій. **Небезпека пошкодження обладнання!**


6.2 Обертання за годинниковою стрілкою/проти годинникової стрілки

- ▶ Установіть перемикач напряму обертання за годинниковою стрілкою/проти годинникової стрілки у потрібне положення.

6.3 Безударне свердління отворів

- ▶ Установіть перемикач функцій у положення .

6.4 Ударне свердління отворів

- ▶ Установіть перемикач функцій у положення .

6.5 Довбання отворів

- ▶ Установіть перемикач функцій у положення .
 - ▶ Щоб забезпечити оптимальне охолодження двигуна, виберіть обертання свердла за годинниковою стрілкою.

7 Догляд і технічне обслуговування

7.1 Догляд і технічне обслуговування

ПОПЕРЕДЖЕННЯ

Небезпека травмування під час виконання робіт на інструменті з установленою акумуляторною батареєю !

- ▶ Завжди діставайте з інструмента акумуляторну батарею, перш ніж розпочинати будь-які роботи з догляду та технічного обслуговування!



Догляд за інструментом

- Видаляйте накопичення бруду обережно.
- Якщо конструкцією інструмента передбачені вентиляційні прорізи, обережно прочищайте їх м'якою сухою щіткою.
- Чистьте корпус інструмента тільки вологою тканиною. Не використовуйте миючі засоби, що містять силікон, оскільки вони можуть пошкодити пластмасові деталі.
- Для чищення контактів інструмента використовуйте чисту суху тканину.

Догляд за літій-іонними акумуляторними батареями

- Ніколи не використовуйте акумуляторну батарею із заблокованими вентиляційними прорізами. Обережно прочищайте вентиляційні прорізи м'якою сухою щіткою.
- Уникайте зайвого контакту акумуляторної батареї з пилом або брудом. Ніколи не піддавайте акумуляторну батарею впливу високої вологості (зокрема, не занурюйте її у воду та не залишайте під дощем).

Якщо рідина потрапила всередину акумуляторної батареї, з нею слід поводитися як із пошкодженою акумуляторною батареєю. Ізолюйте акумуляторну батарею у контейнері з незаймистого матеріалу та зверніться до сервісної служби компанії **Hilti**.

- Не допускайте забруднення акумуляторної батареї сторонніми мастильними матеріалами. Слідкуйте за тим, щоб на акумуляторній батареї не накопичувалась занадто велика кількість пилу або бруду. Видаляйте забруднення з акумуляторної батареї м'якою сухою щіткою або чистою сухою тканиною. Не використовуйте миючі засоби, що містять силікон, оскільки вони можуть пошкодити пластмасові деталі.

Не торкайтеся контактів акумуляторної батареї та не видаляйте з них мастильні матеріали, нанесені на заводі виробника.

- Чистьте корпус інструмента тільки вологою тканиною. Не використовуйте миючі засоби, що містять силікон, оскільки вони можуть пошкодити пластмасові деталі.

Технічне обслуговування

- Регулярно перевіряйте усі зовнішні частини інструмента на наявність пошкоджень, а органи керування – на предмет справної роботи.
- Не використовуйте інструмент у разі виявлення пошкоджень та/або порушень функціональності. негайно передайте інструмент до сервісної служби компанії **Hilti** для здійснення ремонту.
- Після завершення робіт з догляду і технічного обслуговування встановіть усі захисні пристрої та перевірте їхню роботу.



Щоб гарантувати належну роботу інструмента, використовуйте тільки оригінальні запасні частини та видаткові матеріали. Рекомендовані компанією **Hilti** запасні частини, видаткові матеріали та приладдя для інструмента Ви можете придбати у найближчому магазині **Hilti Store** або на веб-сайті www.hilti.group

7.2 Чищення пилозахисного ковпака

- ▶ Регулярно протирайте пилозахисний ковпак затискного патрона для робочого інструмента чистою сухою тканиною.
- ▶ Обережно протирайте робочу кромку ущільнення і злегка змащуйте її консистентним мастилом **Hilti**.
- ▶ Обов'язково замініть пилозахисний ковпак, якщо робоча кромка ущільнення пошкоджена.

8 Транспортування та зберігання

8.1 Транспортування та зберігання акумуляторних інструментів та акумуляторних батарей

Транспортування



ОБЕРЕЖНО

Непередбачене увімкнення інструмента під час транспортування !

- ▶ На час транспортування завжди діставайте з інструмента акумуляторну батарею!
- ▶ Діставайте акумуляторну(-і) батарею(-і).
- ▶ Ніколи не перевозьте акумуляторні батареї у незапакованому вигляді. Під час перевезення акумуляторні батареї повинні бути захищені від сильних поштовхів та вібрацій, а також ізольовані від будь-яких струмопровідних матеріалів та від інших акумуляторних батарей. Це дозволить уникнути короткого замикання, яке може статися через контакт полюсів різних акумуляторних батарей.



Дотримуйтеся місцевих правил, які регламентують порядок перевезення акумуляторних батарей.

- ▶ Забороняється пересилати акумуляторні батареї поштою. Для пересилання непошкоджених акумуляторних батарей зверніться до кур'єрської служби.
- ▶ Перед кожним використанням, а також перед тривалим транспортуванням і після його завершення перевіряйте інструмент та акумуляторні батареї на наявність пошкоджень.

Зберігання

ПОПЕРЕДЖЕННЯ

Непередбачене пошкодження інструмента через несправність акумуляторної батареї або через виток електричності з акумуляторної батареї !

- ▶ На час зберігання завжди діставайте з інструмента акумуляторну батарею!
- ▶ Зберігайте інструмент та акумуляторні батареї у сухому прохолодному місці. Дотримуйтеся діапазону температур, зазначеного у технічних даних інструмента.
- ▶ Не зберігайте акумуляторні батареї на зарядному пристрої. Після закінчення процесу заряджання завжди від'єднуйте акумуляторну батарею від зарядного пристрою.
- ▶ Не зберігайте акумуляторні батареї на сонці, біля джерел тепла або на підвіконні.
- ▶ Зберігайте інструмент та акумуляторні батареї у сухому місці, недоступному для дітей та сторонніх осіб.
- ▶ Перед кожним використанням, а також перед тривалим зберіганням і після його завершення перевіряйте інструмент та акумуляторні батареї на наявність пошкоджень.

9 Допомога у разі виникнення несправностей

У разі виникнення несправностей, які не зазначені у цій таблиці або які Ви не можете полагодити самостійно, зверніться до сервісної служби компанії **Hilti**.

9.1 Перфоратор не готовий до роботи

Несправність	Можлива причина	Рішення
На акумуляторній батареї індикація світлодіодів відсутня.	Акумуляторна батарея встановлена в інструмент не до кінця.	▶ Зафіксуйте акумуляторну батарею з подвійним клацанням.
	Акумуляторна батарея розряджена.	▶ Замініть акумуляторну батарею та зарядіть розряджену акумуляторну батарею.
	Акумуляторна батарея занадто гаряча або холодна.	▶ Дайте акумуляторній батареї охолонути або прогрітись до кімнатної температури.
На акумуляторній батареї мигає 1 світлодіод.	Акумуляторна батарея розряджена.	▶ Замініть акумуляторну батарею та зарядіть розряджену акумуляторну батарею.
	Акумуляторна батарея занадто гаряча або холодна.	▶ Дайте акумуляторній батареї охолонути або прогрітись до кімнатної температури.
На акумуляторній батареї мигають 4 світлодіоди.	Перфоратор короткочасно перевантажений.	▶ Відпустіть вимикач та знову натисніть на нього.

9.2 Перфоратор готовий до роботи

Несправність	Можлива причина	Рішення
Відсутній удар.	Перфоратор занадто холодний.	▶ Установіть перфоратор на робочу поверхню та дайте йому попрацювати на холостому ходу. За необхідності повторіть операцію, доки ударний механізм не почне працювати.



Несправність	Можлива причина	Рішення
Відсутній удар.	Перемикач функцій знаходиться в положенні «Безударне свердління отворів»	► Установіть перемикач функцій у положення «Ударне свердління отворів»
На вимикач неможливо натиснути, або він заблокований.	Перемикач напряму обертання за годинниковою стрілкою/проти годинникової стрілки знаходиться в середньому положенні.	► Поверніть перемикач напряму обертання за годинниковою стрілкою/проти годинникової стрілки праворуч або ліворуч.
Шпindel інструмента не обертається.	Перевищена припустима робоча температура електронного блока перфоратора.	► Попередньо дайте інструменту охолонути.
	Акумуляторна батарея розряджена.	► Замініть акумуляторну батарею та зарядіть розряджену акумуляторну батарею.
	Перемикач функцій не зафіксувався або знаходиться в положенні «Довбання отворів» T або «Позиціонування зубила»	► Установіть перемикач функцій у положення «Безударне свердління отворів» або «Ударне свердління отворів»
Перфоратор автоматично вимикається.	Спрацював захист від перенавантажень.	► Відпустіть вимикач. Зачекайте, доки перфоратор не охолоне. Знову натисніть на вимикач. Зменште навантаження на інструмент.
Акумуляторна батарея розряджається швидше, ніж звичайно.	Занадто низька температура навколишнього середовища.	► Дайте акумуляторній батареї повільно прогрітись до кімнатної температури.
Акумуляторна батарея не зафіксується з чітко відчутним подвійним клацанням.	Фіксатори акумуляторної батареї засмічені.	► Прочистіть зачіпки фіксаторів та вставте акумуляторну батарею знову.
Перфоратор або акумуляторна батарея сильно перегріваються.	Електрична несправність	► негайно вимкніть перфоратор. Дістаньте акумуляторну батарею та поспостерігайте за нею. Зачекайте, доки вона не охолоне. Зверніться до сервісної служби компанії Hilti .
	Перфоратор перенавантажений.	► Скористайтеся потужнішим інструментом.
Інструмент неможливо розблокувати.	Затискний патрон не повністю відведений назад.	► Відведіть фіксатор змінного робочого інструмента назад до упору та вийміть змінний робочий інструмент.
Змінний робочий інструмент не функціонує.	Перфоратор установлений на обертання проти годинникової стрілки.	► Установіть перемикач напряму обертання за годинниковою стрілкою/проти годинникової стрілки в положення «за годинниковою стрілкою».
	Перемикач функцій знаходиться в положенні «Безударне свердління отворів»	► Установіть перемикач функцій у положення «Ударне свердління отворів»

10 Додаткове приладдя

10.1 Пиловловлювальне кільце DCD

Пиловловлювальне кільце DCD використовується у якості приладдя для перфоратора **Hilti**. Воно затримує значну кількість пилу, що утворюється під час свердління отворів над головою, та його можна швидко й легко приєднати до перфоратора.




10.2 Модуль пиловидалення TE DRS-6-A / TE DRS-6-A OSHA

Модуль пиловидалення TE DRS-6-A використовується в якості приладдя для перфоратора Hilti TE 6-A22. Він затримує значну кількість пилу, що утворюється, та його можна швидко й легко приєднати до перфоратора. У модуль пиловидалення інтегрований усмоктувальний вентилятор. Його обертає окремих двигун. Після увімкнення перфоратора модуль отримує живлення від його акумулятора. Модуль пиловидалення непридатний для використання під час свердильних робіт по металу та деревині.

умови: TE DRS-6-A OSHA

Виріб TE DRS-6-A OSHA відповідає директиві OSHA 1926.1153 Table 1. Він оснащений механізмом чищення фільтра.

10.2.1 Установлення модуля пиловидалення


 Перш ніж установлювати модуль пиловидалення, перевірте легкість ходу фіксаторів та електричних роз'ємів на перфораторі та на модулі пиловидалення, а також переконайтеся, що вони не забруднені пилом.

1. Перевірте модуль пиловидалення на наявність пошкоджень.
2. Також переконайтеся, що телескопічна штанга вільно рухається.
3. Установіть перемикач напрямку обертання за годинниковою стрілкою/проти годинникової стрілки у середнє положення.
4. Зніміть з бокової рукоятки обмежувальний упор.
5. Установіть модуль пиловидалення на інструмент з переднього боку до упору.
6. Після цього переконайтеся, що модуль пиловидалення зафіксований належним чином.

10.2.2 Свердління з модулем пиловидалення


1. Щоб запустити модуль пиловидалення, натисніть кнопку увімкнення перфоратора.
2. Утримуйте кнопку увімкнення натиснутою, доки не буде досягнута повна потужність усмоктування.
3. Установіть усмоктувальну головку вертикально на робочу поверхню.
4. Просвердліть отвір, після чого повільно дістаньте інструмент з отвору, щоб уловити якомога більше пилу.

10.2.3 Спорожнення пилозбірника

 Переповнений пилозбірник або засмічений фільтр можуть стати причиною надмірного утворення пилу, тому їх рекомендується регулярно спорожнювати. Спорожнюйте пилозбірник після свердління 8–10 отворів (16 мм x 50 мм) (5/8 дюйма x 2 дюйми). Щоб мінімізувати утворення пилу, утримуйте пил у зачищеному контейнері.

1. Тримайте інструмент горизонтально, дайте йому попрацювати протягом короткого часу.
 - ▶ Це дозволить видалити в пилозбірник рештки пилу, що накопичився в модулі пиловидалення.
2. Натисніть та утримуйте деблокувальну кнопку пилозбірника.
3. Потягніть пилозбірник униз, щоб дістати його з модуля пиловидалення.
4. Спорожніть пилозбірник.
 - ▶ Фільтр засмічений.
 - ▶ Замініть фільтр.
 - ▶ На фільтрі відсутні забруднення.
5. Уставте спорожнений пилозбірник знизу в модуль пиловидалення до упору.

10.2.4 Чищення фільтра TE-DRS-OSHA

 Прочищайте фільтр після свердління 5 отворів (16 мм x 50 мм) (1/2 дюйма x 3 дюйми).

- ▶ Якщо потужність усмоктування знизилася, переведіть механізм чищення вперед та назад 5 разів до упору – при цьому повинен чути чіткий характерний звук.



10.2.5 Зняття модуля пиловидалення 15

1. Установіть перемикач напрямку обертання за годинниковою стрілкою/проти годинникової стрілки у середнє положення.
2. Натисніть та утримуйте деблокувальну кнопку DRS.
3. Потягніть модуль пиловидалення вперед, щоб зняти його з інструмента.

11 Утилізація



ПОПЕРЕДЖЕННЯ

Ризик отримання травм внаслідок неналежної утилізації! Небезпека для здоров'я внаслідок контакту з газами або рідинами, що виходять з акумуляторної батареї.

- ▶ Пошкоджені акумуляторні батареї забороняється пересилати поштою або кур'єрською службою!
- ▶ Закрийте контакти акумуляторних батарей електронепровідним матеріалом, щоб запобігти короткому замиканню.
- ▶ Утилізуйте акумуляторні батареї таким чином, щоб вони не потрапили до рук дітей.
- ▶ Щоб утилізувати акумуляторну батарею, передайте її до найближчого магазину **Hilti Store** або зверніться до представника відповідної компанії з утилізації відходів.

Більшість матеріалів, з яких виготовлено інструменти компанії **Hilti**, придатні для вторинної переробки. Передумовою для їхньої вторинної переробки є належне сортування відходів за типом матеріалу. У багатьох країнах світу компанія **Hilti** приймає старі інструменти для їхньої утилізації. Щоб отримати додаткову інформацію, звертайтеся до сервісної служби компанії **Hilti** або до свого торгового консультанта.



- ▶ Не викидайте електроінструменти, електронні пристрої та акумуляторні батареї у баки для побутового сміття!

12 RoHS (директива КНП про обмеження використання небезпечних речовин)

Щоб переглянути таблицю з інформацією про небезпечні речовини, будь ласка, перейдіть за таким посиланням: qr.hilti.com/r4695.

Посилання на таблицю з інформацією про речовини, включені до директиви RoHS, наведено наприкінці цього документа у вигляді QR-коду.

13 Гарантійні зобов'язання виробника

- ▶ З питань гарантії, будь ласка, звертайтеся до найближчого партнера компанії **Hilti**.

Түпнұсқа пайдалану бойынша нұсқаулық

1 Пайдалану бойынша нұсқаулық туралы мәліметтер

1.1 Бұл құжаттама туралы



Импорттауыш және өндірушінің өкілетті ұйымы

- (RU) Ресей Федерациясы
"Хилти Дистрибьюшн ЛТД" АҚ, 141402, Мәскеу облысы, Химки қ., Ленинградская к-сі, 25-бет, 15.26-құрылымы
- (BY) Беларусь Республикасы
"Хилти БиУай" ЖШС, 222750, Минск облысы, Дзержин ауданы, Р-1, 18 км, 2 (Слободка ауылының жанында), 1-34 құрылымы
- (KZ) Қазақстан Республикасы
"Хилти Қазақстан" ЖШС, 050057, Алматы қ., Бостандық ауданы, Тимирязев к-сі, 42/15 үй, литер 012 (15 корпус)



- (KG) Қырғыз Республикасы
"Т AND Т" ЖШҚ, 720021, Қырғызстан, Бішкек қ., Ибраимов көш., 29 А үйі
- (AM) Армения Республикасы
"ЭЙЧ-КОН" ЖШҚ, 0070, Ереван қ., Ерманда Кочар к-сі, 19/28

Өндірілген елі: жабдықтағы белгілеу тақтайшасын қараңыз.

Өндірілген күні: жабдықтағы белгілеу тақтайшасын қараңыз.

Тиісті сертификатты мына мекенжай бойынша табуға болады: www.hilti.ru

Сақтау, тасымалдау және пайдалану шарттарына пайдалану бойынша нұсқаулықта белгіленгеннен басқа арнайы талаптар қойылмайды.

Өнімнің қызмет ету мерзімі 5 жыл.

- Іске қосу алдында осы пайдалану бойынша нұсқаулықты оқып шығыңыз. Бұл қауіпсіз жұмыс пен ақаусыз басқару үшін алғышарт болып табылады.
- Осы пайдалану бойынша нұсқаулықтағы және өнімдегі қауіпсіздік және ескерту нұсқауларын орындаңыз.
- Пайдалану бойынша нұсқаулықты әрдайым өнімде сақтаңыз және өнімді басқа тұлғаларға тек осы пайдалану бойынша нұсқаулықпен бірге тапсырыңыз.

1.2 Шартты белгілердің анықтамасы

1.2.1 Ескерту

Ескертулер өнімді қолдану барысындағы қауіптер туралы ескертеді. Төмендегі сигналдық сөздер пайдаланылады:

ҚАУІПТІ

ҚАУІПТІ !

- ▶ Ауыр жарақаттарға әкелетін немесе өмірге қауіп төндіретін тікелей қауіпті жағдайдың жалпы белгіленуі.

ЕСКЕРТУ

ЕСКЕРТУ !

- ▶ Ауыр жарақаттарға әкелуі немесе өмірге қауіп төндіруі мүмкін ықтимал қауіпті жағдайдың жалпы белгіленуі.







АБАЙЛАҢЫЗ

АБАЙЛАҢЫЗ !

- ▶ Жарақат алуға немесе мүліктің зақымдалуына әкелуі мүмкін ықтимал қауіпті жағдайдың жалпы белгіленуі.

1.2.2 Пайдалану бойынша нұсқаулықтағы белгілер

Бұл пайдалану бойынша нұсқаулықта төмендегі белгілер пайдаланылады:

	Пайдалану бойынша нұсқаулықты ұстану
	Аспапты пайдалану бойынша нұсқаулар және басқа пайдалы ақпарат
	Қайта пайдалануға болатын материалдармен жұмыс істеу
	Электр аспаптарды және аккумуляторларды тұрмыстық қоқысқа тастамаңыз
	Hilti Li-Ion аккумуляторы
	Hilti зарядтағыш құрылғысы

1.2.3 Суреттердегі белгілер

Суреттерде төмендегі белгілер қолданылады:

2

Бұл сандар осы пайдалану бойынша нұсқаулықтың басындағы тиісті суретке сәйкес келеді.



3	Суреттердегі нөмірлер маңызды жұмыс кезеңдерін немесе жұмыс кезеңдері үшін маңызды құрамдас бөлшектерді көрсетеді. Мәтінде бұл жұмыс кезеңдері немесе құрамдас бөлшектері сәйкес сандармен ерекшеленеді, мысалы, (3).
	Позиция нөмірлері Шолу суретінде қолданылады және Өнімге шолу мақаласындағы шартты белгілердің нөмірлеріне сілтейді.
	Аталмыш белгілер өнімді қолдану барысында айрықша назарыңызды аудартады.

1.3 Өнімге қатысты белгілер

1.3.1 Таңбалар

Өнімде төмендегі белгілер пайдаланылуы мүмкін:

	Соққысыз бұрғылау
	Соққымен бұрғылау (соғатын бұрғылау)
	Кескішпен өңдеу
	Кескішті орналастыру
	Айналу бағытын өзгерту
P_0	Жүктемесіз номиналды айналу жиілігі
	Тұрақты ток
Li-Ion	Литий-иондық аккумулятор
	Пайдаланылған Hilti литий-ион аккумуляторларының сериясы. Қолдану мақсаты бөліміндеі нұсқауларды орындаңыз.
	Аккумуляторды еш жағдайда соқпа құрал ретінде пайдаланбаңыз.
	Аккумуляторды құлатып жібермеңіз. Соққы тиген немесе басқа жолмен зақымдалған аккумуляторды пайдаланбаңыз.
	Құрылғы iOS және Android платформаларымен үйлесімді NFC технологиясын қолдайды.

1.4 Өнім туралы ақпарат

HILTI өнімдері кәсіби пайдаланушыларға арналған және оларды тек қана өкілетті, білікті қызметкерлер пайдалануы, күтім және техникалық қызмет көрсетуі тиіс. Қызметкерлер қауіпсіздік техникасы бойынша арнайы нұсқау алуы керек. Өнім мен оның қосалқы құралдарын басқа мақсатта қолдану немесе олардың оқытылмаған қызметкерлердің тарапынан пайдаланылуы қауіпті.

Түр сипаттамасы мен сериялық нөмір фирмалық тақтайшада берілген.

- ▶ Сериялық нөмірді төмендегі кестеге көшіріп қойыңыз. Өнім туралы мәліметтерді өкілдігімізге немесе қызмет көрсету бөлімімізге сұрау беру арқылы алуға болады.

Өнім туралы мәліметтер

Перфоратор	TE 6-A22
Буын	04
Сериялық нөмір	

1.5 Сәйкестілік декларациясы

Біз осы нұсқаулықта сипатталған өнімнің қолданыстағы директивалар мен нормативтерге сәйкес келетінін толық жауапкершілікпен жариялаймыз. Сәйкестілік декларациясының суреті осы құжаттаманың соңында орналасқан.

Техникалық құжаттама мына жерде сақталған:

Hilti Entwicklungsgesellschaft mbH | Zulassung Geräte | Hiltistraße 6 | 86916 Kaufering, DE



2.1 Электр құралдары үшін қауіпсіздік техникасы бойынша жалпы нұсқаулар

⚠ ЕСКЕРТУ Бұл электр құралына арналған барлық қауіпсіздік нұсқауларын, нұсқауларды, суреттерді және техникалық деректерді оқып шығыңыз. Төменде берілген нұсқауларды орындамау электр тогының соғуына, өртке өкелуі мүмкін және/немесе ауыр жарақаттарды тудыруы мүмкін.

Қауіпсіздік техникасы бойынша барлық нұсқауларды және нұсқауларды келесі пайдаланушы үшін сақтаңыз.

Қауіпсіздік нұсқауларында қолданылатын «электр құралы» термині электр желісінен (желілік кабельмен) және аккумулятордан (желілік кабельсіз) жұмыс істейтін электр құралын білдіреді.

Жұмыс орны

- ▶ **Жұмыс орнындағы тазалықты және тәртіпті қадағалаңыз.** Жұмыс орнындағы ретсіздік және нашар жарық сәтсіз жағдайларға өкелуі мүмкін.
- ▶ **Жанғыш сұйықтықтар, газдар немесе шаң бар жарылыс қаупі бар аймақта электр құралын қолданбаңыз.** Жұмыс кезінде электр құралдары ұшқындар шығады және ұшқындар шаңды немесе буларды тұтандыруы мүмкін.
- ▶ **Балалардың және бөгде адамдардың жұмыс істеп тұрған электр құралына жақындауына рұқсат етпеңіз.** Жұмысқа көңіл бөлмегенде, электр құралын бақылау жоғалуы мүмкін.

Электр қауіпсіздігі

- ▶ **Электр құралдың байланыс ашасы электр желісінің розеткасына сай болуы керек. Айырдың конструкциясын өзгертпеңіз. Қорғауыш жерге қосуы бар электр құралдарымен бірге өтпелі айырларды қолданбаңыз.** Түпнұсқа айырлар және оларға сай розеткалар электр тогының соғу қаупін азайтады.
- ▶ **Жерге қосылған беттерге, мысалы, құбырларға, жылыту құралдарына, пештерге (плиталарға) және тоңазытқыштарға тікелей тиюді болдырмаңыз.** Жерге қосылған заттарға тигенде электр тогының соғуының үлкен қаупі туындайды.
- ▶ **Электр құралдарды жаңбырдан немесе ылғал әсерінен сақтаңыз.** Электр құралға су тиюі нәтижесінде электр тогының соғу қаупі артады.
- ▶ **Байланыс сымын басқа мақсатта қолданбаңыз, мысалы, электр құралды тасымалдау, оны іліп қою немесе электр желісінің розеткасынан айырды шығару үшін.** Байланыс сымын жылу, май, өткір жиектер немесе жылжымалы бөліктерден алшақ ұстаңыз. Байланыс сымының зақымдалуы немесе қабаттасуы нәтижесінде электр тогының соғу қаупі артады.
- ▶ **Егер жұмыстар ашық ауада орындалса, тек бөлмелерден тыс қолдануға рұқсат етілген ұзартқыш сымдарды пайдаланыңыз.** Бөлмелерден тыс қолдануға жарамды ұзартқыш сымды пайдалану электр тогының соғу қаупін азайтады.
- ▶ **Егер электр құралмен ылғалдылық жағдайларында жұмыс істеуді болдырмау мүмкін емес болса, шығып кететін токтан қорғау автоматын қолданыңыз.** Шығып кететін токтан қорғау автоматын қолдану электр тогының соғу қаупін азайтады.

Адамдардың қауіпсіздігі

- ▶ **Ұқыпты болыңыз, әрекеттеріңізге көңіл бөліңіз және электр құралымен жұмыс істеуге дұрыс қараңыз.** Шаршаған кезде немесе есірткі, алкоголь не дәрі қабылдаған соң электр құралын қолданбаңыз. Электр құралын қолданған кездегі зейінсіздік ауыр жарақаттарға апарып соғуы мүмкін.
- ▶ **Жеке қорғану құралдарын пайдаланыңыз және әрқашан міндетті түрде қорғауыш көзілдірікті киіңіз.** Электр құралының түріне және пайдалану жағдайларына байланысты жеке қорғану құралдарын, мысалы, шаңнан қорғайтын респираторды, сырғымайтын аяқ киімді, қорғауыш шлемді, естуді қорғау құралдарын қолдану жарақаттану қаупін азайтады.
- ▶ **Электр құралының кездейсоқ қосылуын болдырмаңыз.** Электр қуатына қосу және/немесе аккумуляторды қою, көтеру немесе тасымалдау алдында электр құралы өшірілгенін көз жеткізіңіз. Электр құралын тасымалдағанда саусақтар сөндіргіште болатын немесе қосылған электр құралы желіге қосылатын жағдайлар сәтсіз жағдайларға өкелуі мүмкін.
- ▶ **Электр құралын қосу алдында реттеуші құрылғыларды және гайка кілтін алыңыз.** Электр құралының айналатын бөлігіндегі аспап немесе кілт жарақаттарға өкелуі мүмкін.
- ▶ **Жұмыс кезінде ыңғайсыз қалыптарға тұрмауға тырысыңыз. Үнемі тұрақты күйді және тепе-теңдікті сақтаңыз.** Бұл күтпеген жағдайларда электр құралын жақсырақ басқаруға мүмкіндік береді.
- ▶ **Арнайы киімді киіңіз. Өте бос киімді немесе әшекейлерді кимеңіз. Шашты, киімді және қолғапты электр құралының айналатын түйіндерінен сақтаңыз.** Бос киім, әшекейлер және ұзын шаш оларға ілінуі мүмкін.



- ▶ Егер шаңды жинау және кетіруге арналған құрылғыларды қосу қарастырылған болса, олар қосылғанына және мақсаты бойынша қолданылып жатқанына көз жеткізіңіз. Шаңды кетіру модулін пайдалану шаңның зиянды әсерін азайтады.
- ▶ Өз мойныңызға қате қауіпсіздік сезімін алмаңыз және электр құралына арналған қауіпсіздік ережелерін бұзбаңыз, тіпті электр құралын жиі қолданатын тәжірибелі пайдаланушы болсаңыз. Мұқиятсыз қолдану бірнеше секундта ауыр жарақаттануға апарып соғуы мүмкін.

Электр құралын қолдану және оған қызмет көрсету

- ▶ **Аспапқа шамадан тыс жүктеме түсуін болдырмаңыз.** Нақ осы жұмысқа арналған электр құралын қолданыңыз. Бұл ережені сақтау көрсетілген қуат диапазонында жоғарырақ жұмыс сапасын және қауіпсіздігін қамтамасыз етеді.
- ▶ **Сөндіргіші бұзылған электр құралын қолданбаңыз.** Қосу немесе өшіру қиын электр құралы қауіпті және оны жөндеу керек.
- ▶ **Электр құралын реттеуге, саймандарды ауыстыруға кірісу алдында немесе жұмыстағы үзіліс алдында розеткадан ашаны және/немесе электр құралына арналған алмалы-салмалы аккумуляторды шығарыңыз.** Бұл сақтық шарасы электр құралының кездейсоқ қосылуын болдырмайды.
- ▶ **Қолданылмайтын электр құралдарын балалар жетпейтін жерде сақтаңыз.** Аспаппен таныс емес немесе осы нұсқауларды оқып шықпаған адамдарға аспапты пайдалануға рұқсат бермеңіз. Электр құралдары тәжірибесі жоқ пайдаланушылардың қолында қауіпті болады.
- ▶ **Электр құралдары мен керек-жарақтарға ұқыпты қараңыз.** Айналмалы бөліктердің мүлтіксіз қызмет ететінін, олардың жүрісінің жеңілдігін, барлық бөліктердің тұтастығын және электр құралының жұмысына теріс әсер етуі мүмкін зақымдардың жоқтығын тексеріңіз. Аспаптың зақымдалған бөліктерін оны қолдану алдында жөндеуге өткізіңіз. Электр құралына техникалық қызмет көрсету ережелерін сақтамау көп сәтсіз жағдайлардың себебі болып табылады.
- ▶ **Кескіш аспаптардың үшкір және таза болуын қадағалау керек.** Жұмыс күйінде сақталатын кескіш аспаптардың сыналануы сиректеу болады, оларды басқару жеңілдеу.
- ▶ **Электр құралын, саймандарды, көмекші құрылғыларды және т.б. нұсқауларға сай пайдаланыңыз.** Бұл кезде жұмыс жағдайларын және орындалатын жұмыстың сипатын ескеріңіз. Электр құралдарын басқа мақсаттарда қолдану қауіпті жағдайларға әкелуі мүмкін.
- ▶ **Тұтқыштар мен тұтқыш беттерін таза, құрғақ, май іздерінсіз ұстаңыз.** Сырғанақ тұтқыштар мен олардың беттері белгілі бір жағдайларда электр құралының қауіпсіз қолданылуы мен басқарылуына жол бермейді.

Аккумуляторлық аспапты пайдалану және оған қарау

- ▶ **Аккумуляторды тек өндіруші ұсынған зарядтағыш құрылғылардың көмегімен зарядтаңыз.** Зарядтағыш құрылғыны тиісті емес аккумулятор түрлерін зарядтау үшін қолданғанда өрт туындауы мүмкін.
- ▶ **Аспаппен жұмыс істеу үшін тек тиісті аккумуляторларды қолданыңыз.** Басқа аккумуляторларды пайдалану жарақаттарға әкелуі және өрт тудыруы мүмкін.
- ▶ **Пайдаланылмайтын аккумуляторларды контакттардың тұйықталуының себебі болуы мүмкін скрепкалардан, тиындардан, кілттерден, инелерден, винттерден және басқа металл заттардан ары сақтаңыз.** Аккумулятор контактарының тұйықталуы күйіктерге немесе тұтануға әкелуі мүмкін.
- ▶ **Аккумулятормен тиісті емес түрде жұмыс істегенде одан электролит ағып шығуы мүмкін.** Оған тиюді болдырмаңыз. Кездейсоқ тигенде сумен шайыңыз. Электролит кезге тигенде дәрігер көмегіне жүгініңіз. Аккумулятордан ағып шыққан электролит тері тітіркенуін немесе күйіктерді тудыруы мүмкін.
- ▶ **Зақымдалған не пішіні өзгертілген аккумуляторларды қолданбаңыз.** Зақымдалған не пішіні өзгертілген аккумуляторларды болжауға болмайды және олар өрт, жарылыс не жарақаттану қаупін тудырады.
- ▶ **Аккумуляторды өрт не жоғары температуралы аймақтардан алшақ ұстаңыз.** Өрт немесе 130 °C (265 °F) жоғары температуралар жарылыс тудыруы мүмкін.
- ▶ **Зарядтау үшін барлық нұсқауларды орындаңыз және аккумулятор не аккумуляторлық құралды ешқашан пайдалану бойынша нұсқаулықта берілген температура ауқымдарынан тыс зарядтамаңыз.** Қате зарядтау немесе рұқсатты температура ауқымдарынан тыс зарядтау аккумуляторды бұзуы және өрт қаупін арттыруы мүмкін.

Қызмет

- ▶ **Электр құралын жөндеуді тек түпнұсқа қосалқы бөлшектерді қолданатын білікті қызметкерлерге сеніп тапсырыңыз.** Бұл электр құралын қауіпсіз күйде сақтауды қамтамасыз етеді.
- ▶ **Зақымдалған аккумуляторларға ешқашан қызмет көрсетпеңіз.** Аккумулятордың толық күтімін тек өндіруші немесе өкілетті қызмет көрсету орталықтары орындауы тиіс.



2.2 Перфораторлармен жұмыс істеу кезіндегі қауіпсіздік техникасы бойынша нұсқаулар

Барлық жұмыстарға арналған қауіпсіздік техникасы бойынша нұсқаулар

- ▶ **Қорғауыш құлаққапты киіңіз.** Шу әсерінің нәтижесінде есту қабілеті жоғалуы мүмкін.
- ▶ **Аспап жинағына кіретін қосымша тұтқыштарды қолданыңыз.** Аспапты басқаруды жоғалту жарақаттарға әкелуі мүмкін.
- ▶ **Пайдаланатын аспабыңыз көзден таса электр желісіне тиіп кетуі мүмкін болса, аспаптың арнайы жеке бөлігін жерінен ұстаңыз.** Электр сымдарына тигенде аспаптың қорғалмаған металл бөліктері кернеу астында болады. Бұл электр тогының соғуына әкелуі мүмкін.

Ұзын бұрғы пайдаланылған кездегі қауіпсіздік техникасы бойынша нұсқаулар

- ▶ **Бұрғылау әрекетін әрдайым төмен айналу жиілігімен және бұрғы дайындамамен жанасып тұрғанда ғана бастаңыз.** Айналу жиілігі жоғары болған жағдайда бұрғы дайындамамен жанаспай еркін айналғаннан сәл қисайып кетуі және жарақаттануға апарып соғуы мүмкін.
- ▶ **Шамадан артық қысым қолданбаңыз және тек қана бойлық бағытпен бұрғылаңыз.** Бұрғылар қисайып жарылуы мүмкін немесе бақылау мүмкіндігінен айырылып, жарақат алуыңыз мүмкін.

2.3 Перфоратор қауіпсіздігі бойынша қосымша нұсқаулар

Адамдардың қауіпсіздігі

- ▶ Өнімді және керек-жарақтарды тек техникалық мінсіз күйінде қолданыңыз.
- ▶ Өнімде немесе керек-жарақтарда ешқандай манипуляциялар не өзгерістер орындамаңыз.
- ▶ Өнім жинағына кіретін қосымша тұтқыштарды қолданыңыз. Бақылау мүмкіндігінен айырылу жарақат алуға әкелуі мүмкін.
- ▶ Тесіп өтетін бұрғылау кезінде қауіпті аймақты қабырғаның қарама-қарсы жағынан қоршаңыз. Сыртқа шығатын және/немесе төмен түсетін сынықтар адамдарға жарақат тигізуі мүмкін.
- ▶ Өнімді ерқашан екі қолмен тұтқыштарынан берік ұстаңыз. Тұтқышты құрғақ ері таза күйінде ұстаңыз.
- ▶ Алмалы-салмалы аспап жасырын электр сымдарына тие алатын жұмыстарды өткізген кезде өнімді оқшауланған беттерінен ұстаңыз. Кернеу өткізгіш сыммен жанасқан жағдайда, аспаптың металл бөліктері де кернеу астына түсіп, ток соғуға әкелуі мүмкін.
- ▶ Айналмалы бөлшектерге тиімеңіз - жарақат алу қаупі бар!
- ▶ Өнімді қолдану барысында қорғауыш көзілдірікті, қорғауыш касканы, қорғауыш құлаққапты және жарамды респираторды киіп жүріңіз.
- ▶ Құралды алмастырған кезде қорғауыш қолғап киіңіз. Алмалы-салмалы аспапқа тию кесіктерге және күйіктерге апарып соғуы мүмкін.
- ▶ Көз қорғанысын пайдаланыңыз. Материалдың сынықтары денені және көзді жарақаттауы мүмкін.
- ▶ Ажарлау, егеуқұм қағазымен тазалау, кесу және бұрғылау кезінде пайда болатын шаңның құрамында қауіпті химиялық заттар болуы мүмкін. Мысалдары келесідей: қорғасын немесе қорғасын негізіндегі бояулар; плитка, бетон және басқа кірпіш қалау өнімдері, табиғи тас және басқа силикаттық өнімдер; емен, шамшат және химиялық затпен өңделген сүрек сияқты белгілі бір сүрек түрлері; асбест немесе құрамында асбест бар материалдар. Пайдаланушы мен оның айналасындағы адамдарға әсер ету дәрежесін өңдеу орындалатын материалдардың қауіп класы бойынша анықтаңыз. Әсерді қауіпсіз деңгейде сақтау үшін шаң жинайтын жүйелерді пайдалану немесе арнайы тыныс алу органдарының қорғанысын киіп жүру сияқты қажетті шараларды қолданыңыз. Әсер ету дәрежесін азайту бойынша жалпы шараларға төмендегілер жатады:
 - ▶ Жақсы желдетілген аймақта жұмыс істеу,
 - ▶ Шаңның ұзақ уақыт бойы тиюіне жол бермеу,
 - ▶ Шаңды көз бен денеден алыстату,
 - ▶ Қорғаныс киімін киіп жүру және әсер етілген жерлерді сумен және сабынмен жуу.
- ▶ Саусақтың қан айналымын жақсарту үшін жиі үзіліс жасап, жаттығу жасаңыз. Ұзақ уақыт жұмыс істеген кезде, қатты дірілдердің салдарынан саусақ, қол не буындардың қантамыры не жүйкесіне теріс әсер тиюі мүмкін.

Электр қауіпсіздігі

- ▶ Жұмысты бастамас бұрын жұмыс аймағында жасырын сымдардың, газ бен су құбырларының бар-жоғын тексеріп шығыңыз. Қуыт сымына, газ немесе су құбырына зақым келтірген жағдайда, өнімнің сыртындағы металл бөліктер ток соғуға немесе жарылысқа әкелуі мүмкін.

Электр құралмен дұрыс жұмыс істеу және оны дұрыс пайдалану

- ▶ Алмалы-салмалы аспап бұғатталған жағдайда, өнімді дереу өшіріңіз. Өнім бүйірімен ауытқуы мүмкін.
- ▶ Өнімді алып тастау алдында ол толығымен тоқтағанша күтіңіз.



2.4 Шаң тазартқыш модульге арналған қауіпсіздік нұсқаулары

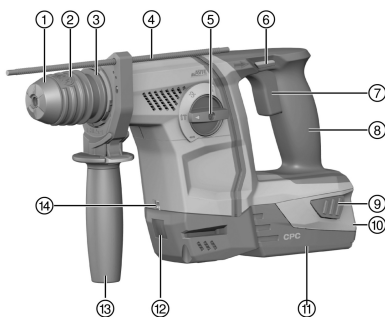
- ▶ Осы құжаттамадағы және аспаптағы барлық қауіпсіздік нұсқауларын орындаңыз.
- ▶ Бұрғылау және қызмет көрсету жұмыстарының барысында пайда болатын шаң қалдықтарының бетке және тыныс алу жолдарына тиюіне жол бермейтін тыныс алу органдарының қорғанысын пайдаланыңыз.
- ▶ Шаңсорғыш модулі орнатылған кезде, сондай-ақ, әрдайым Hilti перфораторының бүйірлік тұтқышын қолданыңыз.

2.5 Аккумулятормен дұрыс жұмыс істеу және оны дұрыс пайдалану

- ▶ Li-Ion аккумуляторын тасымалдау, сақтау және пайдалану бойынша арнайы нұсқаулардың талаптарын орындаңыз.
- ▶ Аккумуляторларды жоғары температуралар, тікелей күн сәулесі мен өрттен алшақ ұстаңыз.
- ▶ Аккумуляторларды бөлшектеуге, қысуға, 80°C (176°F) жоғары температураға дейін қыздыруға және жағуға тыйым салынады.
- ▶ Соққы тиген, бір метрден жоғары биіктіктен құлаған немесе басқа жолмен зақымдалған аккумуляторларды пайдалануға немесе зарядтауға болмайды. Мұндай жағдайда әрдайым Hilti сервистік қызметіңізге хабарласыңыз.
- ▶ Егер тиген кезде аккумулятор тым ыстық болса, ол ақаулы болуы мүмкін. Аккумуляторды тұтанғыш материалдардан жеткілікті қашықтықта орналасқан, жақсы көрінетін, тұтанбайтын жерге қойыңыз. Аккумуляторды суытыңыз. Аккумулятор бір сағаттан кейін әлі де қолға ыстық болып тұрса, бұл оның ақаулы екендігін білдіреді. Hilti қызмет көрсету орталығына хабарласыңыз.

3 Сипаттама

3.1 Өнімге шолу



- 1 Шаңнан қорғау қабы
- 2 Құрал бекіткіші
- 3 Құрал босатқышы
- 4 Тереңдік шектегіші
- 5 Функцияны таңдау қосқышы
- 6 Іске қосу құлпы бар оңға/солға айналуы ауыстырып-қосқышы
- 7 Негізгі сөндіргіш
- 8 Тұтқыш
- 9 Аккумуляторға арналған босату түймесі
- 10 Зарядталу деңгейінің және ақаулықтардың индикаторы (Li-Ion аккумуляторы)
- 11 Аккумулятор
- 12 TE DRS-6-A(02) шаңсорғыш модуліне арналған қосылым
- 13 Бүйірлік тұтқыш
- 14 Жұмыс орнындағы жарықтандыру

3.2 Мақсатына сай қолдану

Сипатталған өнім аккумуляторлық перфоратор болып табылады. Ол болат, ағаш пен кірпіш қалауды бұрғылау, бетон мен кірпіш қалауды соққымен бұрғылау және бұрандаларды бұрап бекітуге және босатуға арналған. Бұған қоса, бұл өнімді кірпіш қалау бойынша жеңіл қашау жұмыстарын және бетон бойынша өңдеу жұмыстарын орындау үшін қолдануға болады.

- ▶ Бұл өнім үшін тек B 22 сериялы Hilti Li-Ion аккумуляторларын ғана пайдаланыңыз.
- ▶ Бұл өнім үшін тек Hilti литий-иондық аккумуляторларының B22 сериясын қолданыңыз.

3.3 Литий-иондық аккумулятор зарядының күйін көрсеткіш

Li-Ion аккумуляторының зарядтау күйі және құрылғыдағы ақаулықтар Li-Ion аккумуляторының индикаторында көрсетіледі. Li-Ion аккумуляторының зарядтау күйінің көрсеткіші екі аккумуляторды босату түймесін басу арқылы көрсетіледі.



Құралдың бөлшектері	Сипаттамасы
4 жарық диоды жанады.	Зарядтау күйі: 75 % - 100 %
3 жарық диоды жанады.	Зарядтау күйі: 50 % - 75 %
2 жарық диоды жанады.	Зарядтау күйі: 25 % - 50 %
1 жарық диоды жанады.	Зарядтау күйі: 10 % - 25 %
1 жарық диоды жыпықтайды.	Зарядтау күйі: < 10 %

i Негізгі сөндіргіш басылып тұрғанда және негізгі сөндіргішті жібергеннен 5 секундтан кейін зарядтау күйіне сұрау салу мүмкін болмайды. Аккумулятор индикаторының жарық диодтары жыпылықтаған жағдайда «Ақаулықтардағы көмек» бөліміндегі нұсқауларға назар аударыңыз.

3.4 Жеткізілім жинағы

Перфоратор, бүйірлік тұтқыш, тереңдік шектегіші, пайдалану бойынша нұсқаулық.

Оған қоса өніміңіз үшін рұқсат етілген жүйелік өнімдерді **Hilti Store** дүкенінде немесе мына веб-сайттан табуға болады: www.hilti.group

4 Техникалық сипаттамалар

4.1 Перфоратор

	TE 6-A22
Номиналды кернеу	21,6 В
ЕРТА Procedure 01 бойынша салмағы, B228.0 аккумуляторын қоса	3,8 кг
Жүктемесіз номиналды айналу жиілігі	1050 А/мин
Бетонда/кірпіш қалауда бұрғылау диаметрінің диапазоны (соғатын бұрғылау)	4 мм ... 28 мм
Ағашта бұрғылау диаметрлерінің диапазоны (қатты бұрғылау бұрғысы)	3 мм ... 20 мм
Металда бұрғылау диаметрлерінің диапазоны (қатты бұрғылау бұрғысы)	3 мм ... 13 мм

4.2 EN 62841 стандарты бойынша шуыл туралы ақпарат және діріл мәні

Осы нұсқауларда көрсетілген дыбыс қысымы мен діріл деңгейі стандартты өлшеу әдісімен өлшенген және оны басқа электр құралдарымен салыстыру үшін пайдалануға болады. Сонымен бірге, ол экспозицияны алдын ала бағалау үшін жарайды.

Берілген деректер электр құралының негізгі жұмысын көрсетеді. Алайда, егер электр құралы басқа мақсаттарда, басқа жұмыс аспаптарымен қолданылса немесе оған қанағаттандырмайтын техникалық қызмет көрсетілсе, деректер өзгеше болуы мүмкін. Осының салдарынан аспаптың бүкіл жұмыс істеу кезеңінде экспозиция айтарлықтай артуы мүмкін.

Экспозицияны дәл анықтау үшін электр құралы сөндірілген күй немесе бос жұмыс істейтін уақыт аралықтарын да ескеру керек. Осының салдарынан аспаптың бүкіл жұмыс істеу кезеңінде экспозиция айтарлықтай азаюы мүмкін.

Пайдаланушыны пайда болатын шуылдан және/немесе дірілден қорғау үшін қосымша сақтық шараларын қолданыңыз, мысалы: электр аспабына және жұмыс аспаптарына техникалық қызмет көрсету, қолдардың жылуын сақтау, жұмыс процестерін дұрыс ұйымдастыру.

Шуыл туралы ақпарат

Дыбыс күшінің деңгейі (L_{WA})	100 дБ(А)
Эмиссиялық дыбыс қысымының деңгейі (L_{pA})	89 дБ(А)
Дөлсіздік (шуыл көрсеткіштері) (K_{pA} және K_{WA})	3 дБ(А)



Дірілдің жалпы көрсеткіші

		TE 6-A22
Бетон бойынша бұрғылау ($a_{h, HD}$)	B 22/2.6 Li-Ion (02)	19,9 М/с ²
	B 22/8.0 Li-Ion	17,1 М/с ²
Бетон бойынша соққымен бұрғылау кезіндегі дәлсіздік	B 22/2.6 Li-Ion (02)	2,1 М/с ²
	B 22/8.0 Li-Ion	1,5 М/с ²
Қашау ($a_{h, снeq}$)	B 22/2.6 Li-Ion (02)	10,9 М/с ²
	B 22/8.0 Li-Ion	12,1 М/с ²
Қашау кезіндегі дәлсіздік	B 22/2.6 Li-Ion (02)	1,5 М/с ²
	B 22/8.0 Li-Ion	1,5 М/с ²

4.3 Аккумулятор

Аккумулятордың жұмыс кернеуі	21,6 В
Жұмыс кезіндегі қоршаған орта температурасы	-17 °С ... 60 °С
Сақтау температурасы	-20 °С ... 40 °С
Зарядтаудың басындағы аккумулятор температурасы	-10 °С ... 45 °С

5 Қызмет көрсету

5.1 Жұмысқа дайындық

ЕСКЕРТУ

Жарақат алу қаупі абайсыздан қосылу себебінен!

- ▶ Аккумуляторды орнату алдында оған қатысты өнімнің өшірілгеніне көз жеткізіңіз.
- ▶ Аспап реттеулерін орындау немесе қосалқы бөлшектерді алмастыру алдында аккумуляторды шығарыңыз.

Осы құжаттамадағы және өнімдегі қауіпсіздік және ескерту нұсқауларын орындаңыз.

5.2 Аккумуляторды орнату

АБАЙЛАҢЫЗ

Жарақат алу қаупі бар! Перфоратордың кездейсоқ іске қосылуы.

- ▶ Аккумуляторды орнату алдында перфоратордың өшірілгеніне және іске қосу құлпының қосылғанына (оңға/солға айналу ауыстырып-қосқышы ортаңғы күйде) көз жеткізіңіз.

1. Аккумуляторды құрылғы ұстатқышына тырс еткен дыбыс шыққанша мұқият салыңыз.
2. Аккумулятордың аспапқа берік бекітілгенін тексеріңіз.

5.3 Аккумуляторды шығару

1. Аккумулятордағы блоктан шығару түймешіктерін басыңыз.
2. Аккумуляторды шығарыңыз.

5.4 Бүйірлік тұтқышты орнату

АБАЙЛАҢЫЗ

Жарақат алу қаупі бар! Өнімді бақылау мүмкіндігінен айырылу.

- ▶ Бүйірлік тұтқыш дұрыс орнатылғанын және берік бекітілгенін тексеріңіз. Кергіш қамыттың өнімдегі арнайы ойықта орналасқанына көз жеткізіңіз.

1. Бүйірлік тұтқыштың ұстағышын (тартылмалы таспаны) босату үшін, тұтқыш бойынша айналдырыңыз.
2. Тереңдік шектегішін алдыңғы жақтан арнайы қарастырылған 2 бағыттауыш саңылау ішіне жылжытыңыз.
3. Бүйірлік тұтқыштың ұстағышын (тартылмалы таспаны) керу үшін, тұтқыш бойынша айналдырыңыз.



5.5 Тереңдік шектегішін орнату және реттеу 5

- ▶ Қажет болса тереңдік шектегішін орнатып, реттеңіз.

5.6 Құрал бекіткішін орнату/бөлшектеу 6

АБАЙПАҢЫЗ

Жарақат алу қаупі бар! Орнатылған, бірақ пайдаланылмаған тереңдік шектегішінен пайдаланушыға кедергі келтіру қаупі.

- ▶ Аспаптан тереңдік шектегішін алыңыз.

- ▶ Құрал бекіткішін орнатыңыз/бөлшектеңіз.

5.7 Құралды орнату 7

1. Алмалы-салмалы аспап ұшын аздап майлаңыз.
 - ▶ Тек Hilti компаниясы ұсынған түпнұсқа жағармай қолданыңыз. Қате майды қолдану аспапқа зақым келтіруі мүмкін.
2. Алмалы-салмалы аспапты аспап қысқысына тірелгенше салыңыз.
3. Орнатқаннан кейін қысқыда берік бекітілгеніне көз жеткізу үшін жұмыс аспабын өзіңізге тартыңыз.
 - ▶ Өнім жұмысқа дайын.

5.8 Құралды шығару 8

- ▶ Құрал құлпын шегіне дейін артқа тартыңыз және алмалы-салмалы аспапты шығарыңыз.

5.9 Төбеде орындалатын жұмыстар 9

- ▶ Төбеде орындалатын жұмыстар үшін DCD шаң жинағыш сақинасын орнатыңыз.

5.10 Кескішті орналастыру 10

- ▶ Режимдерді таңдау құралын күйіне орнатыңыз.

6 Жұмыс істеу

АБАЙПАҢЫЗ

Зақымдалу қаупі, қате қолдану себебінен!

- ▶ Сөндіргішті жұмыс барысында айналу бағытын және/немесе функцияны таңдау үшін пайдаланбаңыз.

Осы құжаттамадағы және өнімдегі қауіпсіздік және ескерту нұсқауларын орындаңыз.

6.1 Функцияны таңдау қосқышы 10

- ▶ Функцияны таңдау қосқышын сәйкесінше қалаулы жұмыс күйіне орнатыңыз.
 - ▶ Аспап жұмыс істеп тұрғанда функцияны таңдау қосқышын іске қосуға тыйым салынады.
Зақымдалу қаупі бар!

6.2 Айналу бағытын өзгерту 11

- ▶ Оңға/солға айналу ауыстырып-қосқышын қалаулы айналу бағытына орнатыңыз.

6.3 Соққысыз бұрғылау

- ▶ Режимдерді таңдау құралын күйіне орнатыңыз.

6.4 Соққымен бұрғылау

- ▶ Режимдерді таңдау құралын күйіне орнатыңыз.



6.5 Кескішпен өңдеу

- ▶ Режимдерді таңдау құралын **T** күйіне орнатыңыз.
 - ▶ Оңтайлы қозғалтқыш салқындауы үшін оңға айналуы (бұрғының айналу бағытын) таңдаңыз.

7 Күту және техникалық қызмет көрсету

7.1 Күтім және техникалық қызмет көрсету

ЕСКЕРТУ

Аккумулятор енгізілген кезде жарақат алу қаупі бар !

- ▶ Күтім және техникалық қызмет көрсету бойынша көз келген жұмыстарды орындамас бұрын әрдайым аккумуляторды шығарыңыз!

Өнімге қызмет көрсету

- Қатты жабысып қалған кірді абайлап кетіріңіз.
- Бр болса, желдету саңылауларын құрғақ, жұмсақ қылшақпен мұқият тазалаңыз.
- Корпусты сәл суланған шүберекпен ғана тазалаңыз. Ешқандай силикон қамтитын күтім құралдарын пайдаланбаңыз, себебі олар пластик бөлшектерге зақым келтіруі мүмкін.
- Өнімнің контактілерін тазалау үшін таза, құрғақ шүберекті қолданыңыз.

Литий-иондық аккумуляторға қызмет көрсету

- Еш жағдайда желдету саңылаулары бітелген аккумуляторды қолданбаңыз. Желдету саңылауларын құрғақ, жұмсақ қылшақпен жақсылап тазалаңыз.
- Аккумуляторға шаңның немесе кірдің қажетсіз тиюіне жол бермеңіз. Аккумуляторға қатты ылғалдың тиюіне ешқашан жол бермеңіз (мысалы, суға батыру немесе жаңбыр астына қою арқылы). Аккумулятор су болса, оны зақымдалған аккумулятор ретінде қарастырыңыз. Оны тұтанбайтын контейнерге оқшаулап, **Hilti** қызмет көрсету орталығына хабарласыңыз.
- Аккумуляторды бөгде май мен майлағыштан таза ұстаңыз. Аккумуляторда шаң не кірдің қажетсіз жиналуына жол бермеңіз. Аккумуляторды құрғақ, жұмсақ қылшақпен немесе таза, құрғақ шүберекпен тазалаңыз. Ешқандай силикон қамтитын күтім құралдарын пайдаланбаңыз, себебі олар пластик бөлшектерге зақым келтіре алады. Аккумулятордың контактілеріне тиіменіз және зауыттан тыс қолданылған майды контактілерден кетіріңіз.
- Корпусты сәл суланған шүберекпен ғана тазалаңыз. Ешқандай силикон қамтитын күтім құралдарын пайдаланбаңыз, себебі олар пластик бөлшектерге зақым келтіруі мүмкін.

Техникалық қызмет көрсету

- Көзге көрінетін барлық бөлшектерде зақымдардың бар-жоғын және басқару элементтерінің ақаусыз жұмысын жиі тексеріп тұрыңыз.
- Өнім зақымдалған және/немесе ақаулы болған жағдайда, оны пайдаланушы болмаңыз. Өнімді міндетті түрде **Hilti** қызмет көрсету орталығында жөндетіңіз.
- Күтім және техникалық қызмет көрсету жұмыстарынан кейін барлық қорғаушы құрылғыларды орнатып, олардың ақаусыз жұмыс істегенін тексеріңіз.



Қауіпсіз жұмысты қамтамасыз ету үшін тек түпнұсқа қосалқы бөлшектер мен шығын материалдарын қолданыңыз. **Hilti** мақұлдаған қосалқы бөлшектер, шығын материалдары мен өнімге арналған керек-жарақтар **Hilti Store** дүкенінде немесе келесі веб-сайтта қолжетімді: www.hilti.group

7.2 Шаңнан қорғайтын қапты тазалау

- ▶ Құрал бекіткішіндегі шаңнан қорғайтын қапты таза, құрғақ шүберекпен тұрақты түрде тазалаңыз.
- ▶ Тығыздағышты жайлап тазалап сүртіңіз және оған **Hilti** жағармайының аз қабатын жағыңыз.
- ▶ Тығыздағыш зақымдалған болса, шаңнан қорғайтын қапты міндетті түрде ауыстырыңыз.



8 Тасымалдау және сақтау

8.1 Аккумуляторлық құралдар мен аккумуляторларды тасымалдау және сақтау

Тасымалдау

АБАЙЛАҢЫЗ

Тасымалдау кезіндегі кенет іске қосылу !

- ▶ Өніміңізді әрдайым аккумуляторын шығарып алып тасымалдаңыз!
- ▶ Аккумулятор(лар)ды шығарыңыз.
- ▶ Аккумуляторларды ешқашан үймеде тасымалдамаңыз. Тасымалдау барысында аккумуляторларды шамадан артық соққы мен дірілден қорғау және олардың басқа батарея полустерімен жанасуына және қысқа тұйықталудың туындауына жол бермеу үшін кез келген ток өткізгіш материалдардан немесе басқа аккумуляторлардан оқшаулау керек. **Аккумуляторларға арналған жергілікті тасымалдау ережелерін сақтаңыз.**
- ▶ Аккумуляторларды поштамен жіберуге болмайды. Зақымдалмаған аккумуляторларды жіберу қажет болғанда, жеткізуші кәсіпорындарға хабарласыңыз.
- ▶ Өнім мен аккумуляторларды әр пайдаланбас бұрын және ұзақ уақыт бойы тасымалдағаннан кейін зақымдардың бар-жоғын тексеріп шығыңыз.

Сақтау

ЕСКЕРТУ

Бүлінген немесе заряды таусылған аккумуляторлардан күтілмеген зақымдалу !

- ▶ Өніміңізді әрдайым аккумуляторын шығарып алып сақтаңыз!
- ▶ Өнім мен аккумуляторларды салқын және құрғақ жерде сақтаңыз. Техникалық деректерде көрсетілген температураның шектік мәндерін ескеріңіз.
- ▶ Аккумуляторларды зарядтағыш құрылғыда сақтамаңыз. Аккумуляторды зарядтағаннан кейін әрдайым зарядтағыш құрылғыдан шығарыңыз.
- ▶ Аккумуляторларды еш жағдайда күн мен жылу көздерінің астында немесе шыны өйнек артында сақтамаңыз.
- ▶ Өнім мен аккумуляторларды балалар мен рұқсаты жоқ адамдардың қолы жетпейтін жерде сақтаңыз.
- ▶ Өнім мен аккумуляторларды әр пайдаланбас бұрын және ұзақ уақыт бойы сақтағаннан кейін зақымдардың бар-жоғын тексеріп шығыңыз.

9 Ақаулықтардағы көмек

Бұл кестеде келтірілмеген немесе өзіңіз түзете алмайтын ақаулықтар орын алғанда, **Hilti** қызмет көрсету орталығына хабарласыңыз.

9.1 Перфоратор қолданылуға жарамды емес

Ақаулық	Ықтимал себеп	Шешім
Аккумулятордағы жарық диодтары өшірулі.	Аккумулятор толығымен салынбаған.	▶ Аккумуляторды қос шырт еткен дыбыс естілгенше бекітіңіз.
	Аккумулятор зарядын босатыңыз.	▶ Аккумуляторды алмастырып, бос аккумуляторды зарядтаңыз.
	Аккумулятор қызып немесе суып кетті.	▶ Аккумуляторды суытыңыз немесе оны бөлме температурасына дейін жеткізіңіз.
Аккумулятордағы 1 жарық диоды жыпылықтайды.	Аккумулятор зарядын босатыңыз.	▶ Аккумуляторды алмастырып, бос аккумуляторды зарядтаңыз.
	Аккумулятор қызып немесе суып кетті.	▶ Аккумуляторды суытыңыз немесе оны бөлме температурасына дейін жеткізіңіз.



Ақаулық	Ықтимал себеп	Шешім
Аккумулятордағы 4 жарық диоды жыпылықтайды.	Перфораторға қысқа мерзімді шамадан тыс жүктеме түсті.	► Негізгі сәндіргішті босатып, қайта басыңыз.

9.2 Перфоратор қолданылуға жарамды

Ақаулық	Ықтимал себеп	Шешім
Соққымен бұрғылау орындалмайды.	Перфоратор тым суық.	► Перфораторды жерге қойып, бос жүріспен жұмыс істетіңіз. Қажет болса, соққы механизмі жұмыс істегенше әрекетті қайталаңыз.
	Функцияны таңдау қосқышы «Соққысыз бұрғылау» күйінде.	► Функцияны таңдау қосқышын «Соққымен бұрғылау» күйіне орнатыңыз.
Негізгі сәндіргішті басылмайды, яғни, бұғатталған.	Оңға/солға айналу ауыстырып-қосқышы ортаңғы күйде.	► Оңға/солға айналу ауыстырып-қосқышын оңға не солға бұраңыз.
Аспап шпинделі айналмайды.	Перфоратордың электрондық бөлшектерінің рұқсат етілген температурасы асырылған.	► Аспапты суытыңыз.
	Аккумулятор зарядын босатыңыз.	► Аккумуляторды алмастырып, бос аккумуляторды зарядтаңыз.
	Функцияны таңдау қосқышы тірелмеген немесе «Кескішпен өңдеу» немесе «Кескішті орналастыру» күйінде.	► Функцияны таңдау қосқышын «Соққысыз бұрғылау» немесе «Соққымен бұрғылау» күйіне орнатыңыз.
Перфоратор автоматты түрде өшіріледі.	Шамадан тыс жүктеме қорғанысы іске қосылды.	► Негізгі сәндіргішті жіберіңіз. Перфораторды суытыңыз. Негізгі сәндіргішті қайтадан іске қосыңыз. Аспап жүктемесін төмендетіңіз.
Аккумулятор заряды едеттегіден тезірек бітеді.	Қоршаған орта температурасы тым төмен.	► Аккумуляторды бөлме температурасында ұзақ уақыт бойы жылытыңыз.
Аккумулятор бекітілгенде оған тән "қос шырты еткен дыбыс" естілмейді.	Аккумулятордағы құлып шоқылары кірленген.	► Тіреуіш шығыңқы жерлерін тазалаңыз және аккумуляторды қайтадан салыңыз.
Перфоратор не аккумуляторда қатты ыстық пайда болды.	Электрлік ақаулық	► Перфораторды бірден өшіріңіз. Аккумуляторды алып тастап, бақылаңыз. Сууға уақыт беріңіз. Hilti қызмет көрсету орталығына хабарласыңыз.
	Перфораторға шамадан тыс жүктеме түсті.	► Қуатты аспапты таңдаңыз.
Аспап бекіткіштен босатылмайды.	Құрал бекіткіші толық тартылмаған.	► Құрал құлпын шегіне дейін артқа тартыңыз және құралды шығарыңыз.
Құрал алынбайды.	Перфоратор солға айналу күйіне ауысты.	► Оңға/солға айналу ауыстырып-қосқышын оңға айналу күйіне ауыстырыңыз.
	Функцияны таңдау қосқышы «Соққысыз бұрғылау» күйінде.	► Функцияны таңдау қосқышын «Соққымен бұрғылау» күйіне орнатыңыз.



10 Қосымша аксессуарлар

10.1 DCD шаң жинағыш сақина

DCD шаң жинағыш сақинасы **Hilti** перфораторы үшін қосымша аксессуар ретінде қолданылады. Бастан жоғары, яғни төбеде орындалатын жұмыстарды орындау кезінде пайда болған шаңның көп бөлігін жинап, перфораторға оңай орнатылады.

10.2 TE DRS-6-A / TE DRS-6-A OSHA шаң тазартқыш модулі


TE DRS-6-A шаң тазартқыш модулі **Hilti** TE 6-A22 перфораторы үшін керек-жарақ ретінде қолданылады. Ол пайда болған шаңның үлкен пайыздық мөлшерін жинайды және перфораторға жылдам әрі оңай бекітілуі мүмкін. Шаң тазартқыш модульге соратын желдеткішті кірістіруге болады. Бұл құрал жеке қозғалтқышы арқылы жұмыс істейді. Перфораторды іске қосқан кезде, модуль перфоратор аккумуляторынан қуат тұтынады.

Шаң тазартқыш модуль металл мен ағашта жұмыс істеу үшін пайдаланылмайды.

Шарттар: TE DRS-6-A OSHA

TE DRS-6-A OSHA жабдығы OSHA 1926.1153 Table 1 директивасы талаптарына сай келеді. Ол сүзгіні тазалау механизмімен жабдықталған.

10.2.1 Шаң тазартқыш модульді орнату


 Орнату алдында перфоратор мен шаң тазартқыш модульдегі бекіту нүктелері мен электрлік интерфейстер шаңсыз және қолжетімді екендігін тексеріңіз.

1. Шаң тазартқыш модульдің зақымдалмағандығын тексеріңіз.
2. Телескоптың дұрыс жұмыс істеп тұрғанына көз жеткізіңіз.
3. Перфоратордың оңға/солға айналуын ортаңғы күйге ауыстырыңыз.
4. Бүйірлік тұтқыштан тереңдік шектегішін алыңыз.
5. Шаң тазартқыш модульді алдыңғы жақтан аспапқа тірелгенше жылжытыңыз.
6. Орнатқаннан кейін шаң тазартқыш модульдің дұрыс тірелгенін қадағалаңыз.

10.2.2 Шаң тазартқыш модулімен бұрғылау

1. Шаң тазартқыш модульді іске қосу үшін, перфораторды басқару түймесін басыңыз.
2. Шаң сору мүмкіндігі толық қосылғанша, басқару түймесін басып тұрыңыз.
3. Шаң соратын бас жағын жерге перпендикуляр етіп орналастырыңыз.
4. Бұрғылап тескеннен кейін, шаңды неғұрлым көп жинау үшін, соғұрлым құрылғыны тесіктен жайлап шығарыңыз.

10.2.3 Шаң қорабын босату

 Толық қалған шаң жинау қорабы мен лас сүзгі шаңның шамадан тыс бөлінуіне алып келуі мүмкін, сондықтан оларды жүйелі түрде тазартып тұру қажет.

8-10 тесікті (16 мм x 50 мм) (5/8 дюйм x 2 дюйм) бұрғылағаннан кейін, шаң жинау қорабын босатыңыз.

Шаңның бөлінуін барынша азайту үшін, шаңды жабық контейнерде сақтаңыз.

1. Аспапты көлденеңінен ұстап, қысқа уақытта жұмыс істетіңіз.
 - ▶ Осылайша тазартқыш модульге жиналатын шаң қалдықтары шаң жинау қорабына сорылады.
2. Шаң жинау қорабындағы босату түймесін басып тұрыңыз.
3. Шаң тазартқыш модульден шаң жинау қорабын тартып, шығарыңыз.
4. Шаң қорабын босатыңыз.
 - ▶ Сүзгі ласталған.
 - ▶ Сүзгіні алмастырыңыз.
 - ▶ Сүзгі тазартылды.
5. Шаң жинау қорабы сырт етіп орнына түскенше, оны шаң тазартқыш модульге төмен қарай сырғытып салыңыз.



10.2.4 TE-DRS-OSHA сүзгісін тазалау 14



5 тесікті (16 мм x 50 мм) (1/2 дюйм x 3 дюйм) бұрғылағаннан кейін, сүзгіні босатыңыз.

- ▶ Егер сору қуаты төмендесе, тазалау механизмін 5 рет сырт еткен дыбыс естілгенше алға және артқа қарай басыңыз.

10.2.5 Шаң тазартқыш модульді бөлшектеу 15

1. Перфоратордың оңға/солға айналуын ортаңғы күйге ауыстырыңыз.
2. DRS босатқышын басып тұрыңыз.
3. Шаң тазартқыш модульді аспаптан алға қарай тартыңыз.

11 Көдеге жарату



ЕСКЕРТУ

Қате жолмен көдеге жаратудан жарақат алу қаупі бар! Газдардың немесе сұйықтықтардың шығуынан денсаулыққа зиян келтіру қаупі бар.

- ▶ Зақымдалған аккумуляторларды жіберуге немесе жөнелтуге болмайды!
- ▶ Қысқа тұйықталуға жол бермеу үшін, қосылымдарды ток өткізбейтін материалмен жауып қойыңыз.
- ▶ Аккумуляторларды балалардың қолына жетпейтіндей етіп көдеге жаратыңыз.
- ▶ Аккумуляторды **Hilti Store** дүкенінде көдеге жаратыңыз немесе жергілікті көдеге жарату кәсіпорнына хабарласыңыз.

Hilti өнімдері қайта өңдеу үшін жарамды көптеген материалдардың санынан тұрады. Көдеге жарату алдында материалдарды мұқият сұрыптау керек. Көптеген елдерде **Hilti** компаниясы ескі аспаптарды көдеге жарату үшін қабылдайды. **Hilti** қызмет көрсету орталығынан немесе дилерден сұраңыз.



- ▶ Электр құралдарды, электрондық құрылғылар мен аккумуляторларды тұрмыстық қоқыспен бірге тастамаңыз!

12 RoHS (зиянды заттектердің пайдаланылуын шектеу директивасы)

Төмендегі сілтеме бойынша зиянды заттектердің кестесі келтірілген: qr.hilti.com/r4695.

RoHS кестесінің сілтемесі осы құжаттаманың соңында QR коды ретінде берілген.

13 Өндіруші кепілдігі

- ▶ Кепілдік шарттары туралы сұрақтарыңыз болса, жергілікті **Hilti** серіктесіне жолығыңыз.

オリジナル取扱説明書

1 取扱説明書について

1.1 本取扱説明書について

- ご使用前にこの取扱説明書をすべてお読みください。このことは、安全な作業と問題のない取扱いのための前提条件となります。
- 本取扱説明書および製品に記載されている安全上の注意と警告表示に注意してください。
- 取扱説明書は常に製品とともに保管し、他の人が使用する場合には、製品と取扱説明書を一緒にお渡しください。

1.2 記号の説明

1.2.1 警告表示

警告表示は製品の取扱いにおける危険について警告するものです。以下の注意喚起語が使用されています：



⚠ 危険

危険！

▶ この表記は、重傷あるいは死亡事故につながる危険性がある場合に注意を促すために使われます。

⚠ 警告

警告！

▶ この表記は、重傷あるいは死亡事故につながる可能性がある場合に注意を促すために使われます。

⚠ 注意

注意！

▶ この表記は、身体の負傷あるいは物財の損傷が発生する可能性がある場合に使われます。

1.2.2 取扱説明書の記号

この取扱説明書では、以下の記号が使用されています：

	取扱説明書に注意してください
	本製品を効率良く取り扱うための注意事項や役に立つ情報
	リサイクル可能な部品の取扱い
	電動工具およびバッテリーを一般ゴミとして廃棄してはなりません
	Hilti Li-Ion バッテリー
	Hilti 充電器

1.2.3 図中の記号

図中では以下の記号が使用されています：

2	この数字は本取扱説明書冒頭にある該当図を示しています。
3	図中の付番は、重要な作業手順あるいは作業手順にとって重要なパーツであることを示しています。本文中ではこれらの作業手順またはパーツは、(3) のように当該の番号でハイライト表示されています。
11	概要図には項目番号が付されていて、製品概要セクションの凡例の番号に対応しています。
	この記号は、製品の取扱いの際に特に注意が必要なことを示しています。

1.3 製品により異なる記号

1.3.1 記号

製品には以下の記号が使用されていることがあります：

	回転のみ
	回転 + 打撃(打撃穿孔)
	ハツリ作業
	チゼル角度調整
	正逆回転機能
n_0	無負荷回転数
	直流



Li-Ion	Li-Ionen バッテリー
	使用されているHILTI Li-Ion バッテリーのモデルシリーズ。正しい使用の章の記載に注意してください。
	バッテリーは決して打撃工具として使用しないでください。
	バッテリーは落下させないでください。ぶつけたり、あるいはその他の理由で損傷しているバッテリーは使用しないでください。
	本体は、iOS および Android プラットフォームと互換性のある NFC テクノロジーをサポートしています。

1.4 製品情報

HILTI 製品はプロ仕様で製作されており、その使用、保守、修理を行うのは、認定を受けトレーニングされた人のみに限ります。これらの人は、遭遇し得る危険に関する情報を入手していなければなりません。製品およびアクセサリーの使用法を知らない者による誤使用、あるいは規定外の使用は危険です。機種名および製造番号は銘板に表示されています。

- ▶ 製造番号を以下の表に書き写しておいてください。ヒルティ代理店やサービスセンターへお問い合わせの際には、製品データが必要になります。

製品データ

ロータリーハンマードリル	TE 6-A22
製品世代	04
製造番号:	

1.5 適合宣言

当社は、単独の責任において本書で説明している製品が有効な基準と標準規格に適合していることを宣言します。適合宣言書の複写は本書の末尾にあります。

技術資料は本書の後続の頁に記載されています：

Hilti Entwicklungsgesellschaft mbH | Zulassung Geräte | Hiltistraße 6 | 86916 Kaufering, DE

2 安全

2.1 電動工具の一般安全注意事項

⚠ 警告事項 本電動工具に付属のすべての安全上の注意、指示事項、図、および製品仕様をお読みください。以下の指示を守らないと、感電、火災および / または重傷事故の危険があります。

安全上の注意および指示事項が書かれた説明書はすべて大切に保管してください。

安全上の注意で使用する用語「電動工具」とは、お手持ちの電動ツール(電源コード使用) またはバッテリーツール(コードレス)を指します。

作業環境に関する安全

- ▶ 作業場はきれいに保ち、十分に明るくしてください。ちらかった暗い場所での作業は事故の原因となります。
- ▶ 爆発の危険性のある環境(可燃性液体、ガスおよび粉じんのある場所) では電動工具を使用しないでください。電動工具から火花が飛散し、粉じんや揮発性ガスに引火する恐れがあります。
- ▶ 電動工具の使用で、子供や無関係者を作業場へ近づけないでください。作業中に気がそらされると、本体のコントロールを失ってしまう恐れがあります。

電気に関する安全注意事項

- ▶ 電動工具の接続プラグは電源コンセントにきちんと適合しなければなりません。プラグは絶対に変更しないでください。保護接地した電動工具と一緒にアダプタープラグを使用しないでください。オリジナルのプラグと適切なコンセントを使用することにより、感電の危険を小さくすることができます。
- ▶ パイプ、ラジエーター、電子レンジ、冷蔵庫などのアースされた面に体の一部が触れないようにしてください。体が触れると感電の危険が大きくなります。
- ▶ 電動工具を雨や湿気から保護してください。電動工具に水が浸入すると、感電の危険が大きくなります。
- ▶ 電動工具を持ち運んだり、吊り下げたり、コンセントからプラグを抜いたりするときは、必ず本体を持ち、電源コードを持ったり引っ張ったりしないでください。電源コードを火気、オイル、鋭利な刃物、可動部等に触れる場所に置かないでください。電源コードが損傷したり絡まったりしていると、感電の危険が大きくなります。



- ▶ 屋外工事の場合には、必ず屋外専用の延長コードを使用してください。屋外専用の延長コードを使用すると、感電の危険が小さくなります。
- ▶ 湿った場所で電動工具を動作させる必要がある場合は、漏電遮断器を使用してください。漏電遮断器を使用すると、感電の危険が小さくなります。

作業者に関する安全

- ▶ 電動工具を使用の際には、油断せずに十分注意し、常識をもった作業をおこなってください。疲れている場合、薬物、医薬品服用およびアルコール飲用による影響下にある場合には電動工具を使用しないでください。電動工具使用中の一瞬の不注意が重傷の原因となることがあります。
- ▶ 個人用保護具および保護メガネを常に着用してください。負傷の危険を低減するために、電動工具の使用状況に応じた粉じんマスク、耐滑性の安全靴、ヘルメット、耳栓などの個人用保護具を着用してください。
- ▶ 電動工具の意図しない始動を防止して下さい。電動工具を電源および / またはバッテリーに接続する前や本体を持ち上げたり運んだりする前に、本体がオフになっていることを必ず確認してください。オン / オフスイッチが入っている状態で電動工具のスイッチに指を掛けたまま運んだり、電源に接続したりすると、事故の原因となる恐れがあります。
- ▶ 電動工具のスイッチを取る前に、必ず調節キーやレンチを取り外してください。調節キーやレンチが本体の回転部に装着されたままでは、けがの原因となる恐れがあります。
- ▶ 作業中は不安定な姿勢をとらないでください。足元を安定させ、常にバランスを保つようにしてください。これにより、万一電動工具が異常状況に陥った場合にも、適切な対応が可能となります。
- ▶ 作業に適した作業着を着用してください。だぶだぶの衣服や装身具を着用しないでください。髪、衣服、手袋を本体の可動部に近づけないでください。だぶだぶの衣服、装身具、長い髪が可動部に巻き込まれる恐れがあります。
- ▶ 吸じんシステムの接続が可能な場合には、これらのシステムが適切に接続、使用されていることを確認してください。吸じんシステムを利用することにより、粉じん公害を防げます。
- ▶ 電動工具の取扱いに熟練している場合にも、正しい安全対策を遵守し、電動工具に関する安全規則を無視しないでください。不注意な取扱いは、ほんの一瞬で重傷事故を招くことがあります。

電動工具の使用および取扱い

- ▶ 無理のある使用を避けてください。作業用途に適した電動工具を使用してください。適切な電動工具の使用により、能率よく、スムーズかつ安全な作業が行えます。
- ▶ スwitchが故障している場合には、電動工具を使用しないでください。スイッチで始動および停止操作のできない電動工具は危険ですので、修理が必要です。
- ▶ 本体の設定やアクセサリの交換を行う前や本体を保管する前には電源プラグをコンセントから抜き、および / または脱着式のバッテリーを取り外してください。この安全処置により、電動工具の意図しない始動を防止することができます。
- ▶ 電動工具をご使用にならない場合には、子供の手の届かない場所に保管してください。電動工具に関する知識のない方、本説明書をお読みでない方による本体のご使用は避けてください。未経験者による電動工具の使用は危険です。
- ▶ 電動工具とアクセサリは慎重に手入れしてください。可動部分が引っ掛かりなく正常に作動しているか、電動工具の運転に影響を及ぼす各部分が破損・損傷していないかを確認してください。電動工具をご使用になる前に、損傷部分の修理を依頼してください。事故の多くは保守管理の不十分な電動工具の使用が原因となっています。
- ▶ 先端工具は鋭利で汚れのない状態を保ってください。お手入れのゆきとどいた先端工具を使用すると、作業が簡単かつ、スムーズになります。
- ▶ 電動工具、アクセサリ、先端工具などは、それらの説明書に記載されている指示に従って使用してください。その際は、作業環境および用途についてもご注意ください。指定された用途以外に電動工具を使用すると危険な状況をまねく恐れがあります。
- ▶ グリップとグリップ面は乾燥した清潔な状態に保ち、オイルやグリスの付着がないようにしてください。グリップやグリップ面が滑りやすい状態になっていると、予期していない状況が発生した際に電動工具を安全に使用 / 制御できません。

バッテリー工具の使用および取扱い

- ▶ バッテリーを充電する場合は、必ずメーカー推奨の充電器を使用してください。特定タイプのバッテリー専用の充電器を他のバッテリーに使用すると、火災の恐れがあります。
- ▶ 電動工具には、必ず指定されたバッテリーを使用してください。指定以外のバッテリーを使用すると、負傷や火災の恐れがあります。
- ▶ 使用されていないバッテリーの近くに、事務用クリップ、硬貨、キー、釘、ネジ、その他の小さな金属物を置かないでください。電気接点の短絡が起こることがあります。バッテリーの電気接点間が短絡すると、火傷や火災が発生する危険があります。
- ▶ 正しく使用しないと、液漏れが発生することがあります。その場合、漏れた液には触れないでください。もしも触れてしまった場合は、水で洗い流してください。バッテリー液が眼に入った場合は、水で洗い



流してから医師の診察を受けてください。流出したバッテリー液により、皮膚が刺激を受けたり火傷を負う恐れがあります。

- ▶ 損傷したあるいは変更が加えられたバッテリーは使用しないでください。損傷したあるいは変更が加えられたバッテリーは、予測不可能な挙動により爆発あるいは負傷事故を発生させる危険があります。
- ▶ バッテリーは火気あるいは高温に曝さないでください。火気あるいは 130 °C (265 °F) を超える高温は、爆発の原因となることがあります。
- ▶ 充電に関するすべての指示事項に従い、バッテリーあるいはバッテリー工具は、決して取扱説明書に記載された温度範囲外で充電しないでください。正しくない充電あるいは許容温度範囲外での充電により、バッテリーが破壊され火災が発生する危険があります。

サービス

- ▶ 電動工具の修理は必ず認定サービスセンターにお申し付けください。また、必ず純正部品を使用してください。これにより電動工具の安全性が確実に維持されます。
- ▶ 損傷したバッテリーは決して手入れや保守を行わないでください。バッテリーの保守作業はすべて、メーカーあるいは権限のあるお客様サービスセンターが行うものとします。

2.2 ハンマーに関する安全上の注意

すべての作業に関する安全上の注意

- ▶ 耳栓を着用してください。騒音により、聴覚に悪影響が出る恐れがあります。
- ▶ 本体と一緒に納品された補助ハンドルを使用してください。これ以外のハンドルを使用すると、コントロールを失ってけがをする恐れがあります。
- ▶ 先端工具が隠れた電線に接触する可能性のある作業を行う場合は、必ず本体の絶縁されたグリップを持ってください。通電しているケーブルと接触すると、本体の金属部分にも電圧がかかり、感電の危険があります。

長いドリルビットを使用する際の安全上の注意

- ▶ 穿孔作業は、常にドリルビットが作業材料と接触している状態で低い回転数から始めるようにしてください。回転数が高くてドリルビットが作業材料と接触せず自由に回転できる状態にあると、ドリルビットは簡単に曲がってしまうことがあり、これが負傷の原因となることがあります。
- ▶ 過度な力を加えず、常にドリルビットの縦方向にのみ力が作用するようにしてください。ドリルビットは曲がって折れてしまうこと、あるいはコントロールを失って負傷の原因となることがあります。

2.3 ローターハンマードリルに関するその他の安全上の注意

作業者に関する安全

- ▶ 本製品とアクセサリーは、必ず技術的に問題のない状態で使用してください。
- ▶ 本製品あるいはアクセサリーには、決して加工や改造を加えないでください。
- ▶ 製品と一緒に納品された補助ハンドルを使用してください。コントロールを失うとけがをする恐れがあります。
- ▶ 剥がし作業の場合には、作業側と反対の領域を保護してください。剥がれた部分が脱落、落下して他人を負傷させる危険があります。
- ▶ 本製品は、常に両手でグリップを掴んでしっかりと保持してください。グリップは乾燥した清潔な状態を保ってください。
- ▶ 隠れた電線に先端工具が接触する可能性のある作業を行う場合は、必ず本製品を絶縁されたグリップ面で保持するようにしてください。通電しているケーブルと接触すると、本体の金属部分にも電圧がかかり、感電の危険があります。
- ▶ 回転部品に触れないでください - 負傷の危険！
- ▶ 本製品の使用時には、アイシールド、保護ヘルメット、耳栓、および適切な防じんマスクを着用してください。
- ▶ 先端工具の交換時には保護手袋を着用してください。先端工具に触れると、切創事故や火傷の原因となることがあります。
- ▶ アイシールドを着用してください。破片が身体の一部、眼などを傷つけることもあります。
- ▶ 研磨、紙やすり研磨、切断および穿孔の際に発生する粉じんは、化学物質を含んでいる場合があります。これには、鉛、あるいは鉛ベースの塗料、レンガ、コンクリートおよびその他の壁用資材、自然石およびその他の珪酸塩含有製品、樫、樺などの特定の木材、および化学処理の施された木材、アスベストあるいはアスベストが含まれる母材、などが考えられます。作業対象の資材の危険等級により、作業者および周囲の人員の曝露を確認してください。曝露を安全なレベルに維持するために、粉じん吸引システムの使用、あるいは適切な防じんマスクの着用などの必要な処置を取ってください。曝露の低減のための一般的な処置としては、以下のようになります：
 - ▶ 十分に換気された領域での作業
 - ▶ 粉じんと長時間の接触の回避



- ▶ 粉じんを顔や体から遠ざける
- ▶ 保護服を着用し、水と石鹸で曝露領域を洗浄する
- ▶ 頻繁に休憩を取って、指を動かして血行を良くするように心がけてください。長時間作業の際には、強い振動により指、手あるいは手首の関節の血管あるいは神経系に障害が発生する可能性があります。

電気に関する安全注意事項

- ▶ 作業を開始する前に、作業領域に埋設された電線、ガス管や水道管がないかを調査してください。電線、ガス管あるいは水道管を損傷すると、本製品外側の金属部分での感電事故、あるいは爆発が発生する可能性があります。

電動工具の慎重な取扱いおよび使用

- ▶ 先端工具がブロックしたら直ちに本製品をオフにします。本製品が横にそれることがあります。
- ▶ 本製品は停止するまで置かないでください。

2.4 集じんモジュールに関する安全上の注意

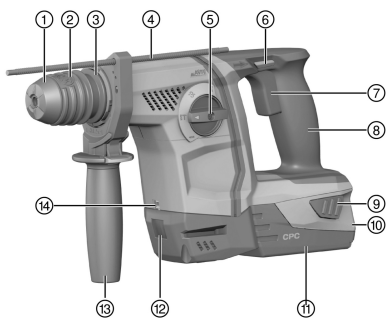
- ▶ 本書および本体に記載されている安全上の注意を遵守してください。
- ▶ 穿孔作業時およびサービスマスター作業時に発生する残留粉じんから顔および気管を保護するため、防じんマスクを使用してください。
- ▶ 集じんモジュールを取り付けていても、必ずHilti ローターハンマードリルのサイドハンドルを使用してください。

2.5 バッテリーの慎重な取扱いおよび使用

- ▶ Li-Ion バッテリーの搬送、保管、作動については特別規定を守ってください。
- ▶ バッテリーは高温、直射日光および火気を避けて保管してください。
- ▶ バッテリーを分解したり、挟んだり、80 °C (176°F) 以上に加熱したり、燃やしたりしないでください。
- ▶ 衝撃を受けたことのあるバッテリー、1 m を超える高さから落下したことのあるバッテリー、あるいはその他の損傷を被っているバッテリーを使用あるいは充電しないでください。この場合には、必ず最寄りのHilti サービスセンターにご連絡ください。
- ▶ バッテリーが掴むことのできないほどに熱くなっている場合は、故障している可能性があります。バッテリーを、目視確認が可能で可燃物のない場所に、可燃性の資材から十分な距離を設けて置いてください。バッテリーを冷ます。1 時間の経過後にも掴むことのできないほどに熱い場合は、そのバッテリーは故障している可能性があります。Hilti サービスセンターに連絡してください。

3 製品の説明

3.1 製品概要 1



- ① 防じんカバー
- ② チャック
- ③ 先端工具ロック解除
- ④ デブスゲージ
- ⑤ 機能切り替えスイッチ
- ⑥ 正回転 / 逆回転切り替えスイッチ(スイッチオンロック付き)
- ⑦ 無段変速スイッチ
- ⑧ グリップ
- ⑨ バッテリーリリースボタン
- ⑩ 充電状態および故障インジケーター (Li-Ion バッテリー)
- ⑪ バッテリー
- ⑫ TE DRS-6-A(02) 集じんモジュール接続部
- ⑬ サイドハンドル
- ⑭ 作業用照明

3.2 正しい使用

本書で説明している製品は、充電式ロータリーハンマードリルです。本製品は、鋼材、木材および石材への穿孔(回転のみ)、コンクリートおよび石材への打撃穿孔、ならびにネジの取付け、取外し用の工具です。さらに、本製品は石材への軽度のハツリ作業、およびコンクリートへの再加工作業に使用できます。



- ▶ 本製品には、必ずHiltiのB 22シリーズのLi-Ionバッテリーを使用してください。
- ▶ 本製品には、必ずHiltiのB22シリーズのLi-Ionバッテリーを使用してください。

3.3 Li-Ionバッテリーのインジケータ

Li-Ionバッテリーの充電状態および本体の不具合は、Li-Ionバッテリーのインジケータにより表示されます。Li-Ionバッテリーの充電状態は、2つのバッテリーリリースボタンのいずれかを押すと表示されます。

状態	意味
4個のLEDが点灯。	充電状態：75 %...100 %
3個のLEDが点灯。	充電状態：50 %...75 %
2個のLEDが点灯。	充電状態：25 %...50 %
1個のLEDが点灯。	充電状態：10 %...25 %
1個のLEDが点滅。	充電状態：< 10 %

i コントロールスイッチの操作中、およびこのスイッチから指を放してから5秒が経過するまでの間は、充電状態を確認することはできません。バッテリーのインジケータのLEDが点滅している場合は、「故障時のヒント」の章の注意事項を確認してください。

3.4 本体標準セット構成

ロータリーハンマードリル、サイドハンドル、デプスゲージ、取扱説明書。

その他のご使用の製品用に許可されたシステム製品については、弊社営業担当またはHilti Storeにお問い合わせいただくか、あるいはwww.hilti.groupでご確認ください。

4 製品仕様

4.1 ロータリーハンマードリル

	TE 6-A22
定格電圧	21.6 V
EPTA Procedure 01 に準拠した重量 (B22&8.0 バッテリーを含む)	3.8 kg
無負荷回転数	1,050/min
コンクリート / 石材への穿孔 (ハンマードリルビット)	4 mm ... 28 mm
木材への穿孔 (木工用ドリルビット)	3 mm ... 20 mm
金属への穿孔 (鉄工用ドリルビット)	3 mm ... 13 mm

4.2 騒音および振動値について (EN 62841 準拠)

本説明書に記載されているサウンドプレッシャー値および振動値は、規格に準拠した測定方法に基づいて測定したものです。電動工具を比較するのにご使用いただけます。曝露値の暫定的な予測にも適しています。記載されているデータは、電動工具の主要な使用方法に対する値です。電動工具を他の用途で使用したり、異なる先端工具を取り付けて使用したり、手入れや保守が十分でないまま使用した場合には、データが異なることがあります。このような相違により、作業時間全体で曝露値が著しく高くなる可能性があります。曝露値を正確に予測するためには、電動工具のスイッチをオフにしている時間や、電動工具が作動していても実際には使用していない時間も考慮しなければなりません。このような相違により、作業時間全体で曝露値が著しく低くなる可能性があります。

作業者を騒音および / または振動による作用から保護するために、他にも安全対策を立ててください (例：電動工具および先端工具の手入れや保守、手を冷やさないようにする、作業手順の編成)。

騒音について

サウンドパワーレベル (L_{WA})	100 dB(A)
排出サウンドプレッシャーレベル (L_{pA})	89 dB(A)
不確実性 (音響値) (K_{pA} および K_{WA})	3 dB(A)



合計振動値

		TE 6-A22
コンクリートへの打撃穿孔 ($a_{h, HD}$)	B 22/2.6 Li-Ion (02)	19.9 m/s ²
	B 22/8.0 Li-Ion	17.1 m/s ²
コンクリートへの打撃穿孔の不確実性	B 22/2.6 Li-Ion (02)	2.1 m/s ²
	B 22/8.0 Li-Ion	1.5 m/s ²
ハツリ作業 ($a_{h, CHEq}$)	B 22/2.6 Li-Ion (02)	10.9 m/s ²
	B 22/8.0 Li-Ion	12.1 m/s ²
ハツリ作業の不確実性	B 22/2.6 Li-Ion (02)	1.5 m/s ²
	B 22/8.0 Li-Ion	1.5 m/s ²

4.3 バッテリー

バッテリー作動電圧	21.6 V
作動時の周囲温度	-17 °C ... 60 °C
保管温度	-20 °C ... 40 °C
充電開始時のバッテリー温度	-10 °C ... 45 °C

5 ご使用方法

5.1 作業準備

警告

負傷の危険 意図しない始動！

- ▶ バッテリーを装着する前に、バッテリーを装着する製品のスイッチがオフになっていることを確認してください。
- ▶ 本体の設定、またはアクセサリーの交換の前にバッテリーを取り外してください。

本書および製品に記載されている安全上の注意と警告表示に注意してください。

5.2 バッテリーを装着する

注意

負傷の危険！ ローターハンマードリルは意図せず動作することがあります。

- ▶ バッテリーを装着する前に、ロータリーハンマードリルのスイッチがオフになっていて正回転 / 逆回転切り替えスイッチが中立の位置(スイッチオンロック) になっていることを確認してください。

1. ロックの音が聞こえるまでバッテリーを本体ホルダーに装着します。
2. バッテリーがしっかりと装着されていることを確認してください。

5.3 バッテリーを取り外す

1. バッテリーのロック解除ボタンを押します。
2. バッテリーを後方へ引き抜きます。

5.4 サイドハンドルを取り付ける

注意

負傷の危険！ 製品のコントロールの喪失。

- ▶ サイドハンドルが正しく取り付けられ、しっかりと固定されていることを確認してください。クランピングバンドが本製品の所定の溝にはまっていることを確認してください。

1. グリップを回してサイドハンドルのクランピングバンドを緩めます。
2. デブスゲージを前方から取付け用の 2 個のガイド穴に通します。
3. グリップを回してサイドハンドルのクランピングバンドを張ります。



5.5 デブスゲージを取り付ける / 調整する 5

- ▶ 必要に応じてデブスゲージを取り付けて調整します。

5.6 チャックを取り付ける / 取り外す 6

注意

負傷の危険！ 取り付けてあるが使用してはならないデブスゲージにより作業者の作業が妨げられる危険があります。

- ▶ 本体からデブスゲージを取り外します。

- ▶ チャックを取り付け / 取り外します。

5.7 先端工具を装着する 7

1. 先端工具のコネクションエンドにグリスを軽く塗布します。
 - ▶ 必ずHiltiの純正グリスを使用してください。不適切なグリスを使用すると本体損傷の原因となることがあります。
2. 先端工具をチャックのストップ位置まで差し込み、ロックさせます。
3. 装着後に先端工具を引っ張り、ロックされているか確認します。
 - ▶ 製品は作動可能状態です。

5.8 先端工具を取り外す 8

- ▶ チャックロックスリーブをストップ位置まで引き戻し、先端工具を取り外します。

5.9 頭上作業 9

- ▶ 頭上作業用のDCD集じんリングを取り付けます。

5.10 チゼル角度調整 10

- ▶ 機能切り替えスイッチをの位置にします。

6 作業

注意

損傷の危険 不正な取扱い！

- ▶ 作動中は、回転方向および / または機能選択用スイッチを操作しないでください。

本書および製品に記載されている安全上の注意と警告表示に注意してください。

6.1 機能切り替えスイッチ 10

- ▶ 機能切り替えスイッチを希望の作業位置にします。
 - ▶ 作動中に機能切り替えスイッチを操作しないでください。**損傷の危険！**

6.2 正逆回転機能 11

- ▶ 正回転 / 逆回転切り替えスイッチを希望の回転方向に設定します。

6.3 回転のみ

- ▶ 機能切り替えスイッチをの位置にします。

6.4 回転 + 打撃

- ▶ 機能切り替えスイッチをの位置にします。



6.5 ハツリ作業

- ▶ 機能切り替えスイッチを **T** の位置にします。
 - ▶ モーターの冷却を最適なものとするには、正回転(穿孔回転方向)を選択してください。

7 手入れと保守

7.1 手入れと保守

警告

バッテリーを装着した状態における負傷の危険！

- ▶ 手入れや保守作業の前に必ずバッテリーを取り外してください！

製品の手入れ


- 付着した汚れを慎重に除去してください。
- 汚れが付着している場合は、通気溝を乾いた柔らかいブラシを使用して慎重に掃除してください。
- 必ず少し湿した布でハウジングを拭いてください。シリコンを含んだ磨き粉はプラスチック部品をいためる可能性があるため使用しないでください。
- 本製品の電気接点を清掃するには、清潔な乾いた布を使用してください。

Li-Ion バッテリーの手入れ

- 通気溝が詰まっているバッテリーは決して使用しないでください。通気溝を乾いた柔らかいブラシを使用して慎重に掃除してください。
- バッテリーを不必要に粉じんや汚れに曝さないようにしてください。バッテリーは、決して高い湿度に曝さないでください(例：水中に沈める、あるいは雨中に放置する)。水分が浸入したバッテリーは、損傷したものとして取り扱ってください。そのようなバッテリーは不燃性の容器に隔離し、**Hilti** サービスセンターにご連絡ください。
- バッテリーには、本製品に使用しているのではないオイルやグリスが付着しないようにしてください。バッテリーに不必要な粉じんあるいは汚れが堆積しないようにしてください。バッテリーは、乾いた柔らかいブラシまたは乾いた布で清掃してください。シリコンを含んだ磨き粉はプラスチック部品をいためる可能性があるため使用しないでください。
バッテリーの電気接点に手を触れないでください、また、工場出荷時に塗布されているグリスを電気接点からぬぐい取らないでください。
- 必ず少し湿した布でハウジングを拭いてください。シリコンを含んだ磨き粉はプラスチック部品をいためる可能性があるため使用しないでください。

保守

- 目視確認可能なすべての部品については損傷の有無を、操作エレメントについては問題なく機能することを定期的に点検してください。
- 損傷および/または機能に問題のある場合は、本製品を使用しないでください。速やかに**Hilti** サービスセンターに本製品の修理を依頼してください。
- 手入れおよび保守作業の後は、すべての安全機構を取り付けて、それらが問題なく作動するか点検してください。

 安全な作動のために、必ず純正のスペアパーツと消耗品を使用してください。本製品向けに**Hilti** が承認したスペアパーツ、消耗品およびアクセサリは、弊社営業担当または**Hilti Store** お問い合わせいただくか、あるいはwww.hilti.group

7.2 防じんカバーの清掃

- ▶ チャックの防じんカバーは、清潔な乾いた布で定期的に清掃してください。
- ▶ シーリングリップをていねいに拭き、**Hilti** グリスを薄く塗布します。
- ▶ シーリングリップに損傷がある場合は、防じんカバーを必ず交換してください。



8 搬送および保管

8.1 バッテリー式工具およびバッテリーの搬送および保管

搬送

注意

搬送時の予期しない始動！

- ▶ お使いの製品は、必ずバッテリーを装着していない状態で搬送してください！
- ▶ バッテリーを取り外してください。
- ▶ バッテリーは決して梱包しない状態で搬送しないでください。搬送中のバッテリーは、他のバッテリー電極と接触して短絡の原因となることを防ぐために、過大な衝撃や振動から保護し、あらゆる導電性の物体あるいは他のバッテリーから隔離する必要があります。バッテリーの搬送に関する各国(地域)の規則を遵守してください。
- ▶ バッテリーは郵送しないでください。損傷していないバッテリーを送付する場合は、運送業者を手配してください。
- ▶ 使用前にその都度、また長距離の搬送の前には、製品とバッテリーに損傷がないか点検してください。

保管上の注意事項

警告

故障したあるいは液漏れしたバッテリーによる予期しない損傷！

- ▶ お使いの製品は、必ずバッテリーを装着していない状態で保管してください！
- ▶ 製品とバッテリーは涼しくて乾燥した場所に保管してください。製品仕様に記載されている温度の限界値に注意してください。
- ▶ バッテリーは充電器内で保管しないでください。充電の後は、必ずバッテリーを充電器から取り出してください。
- ▶ バッテリーを太陽の直射下、熱源の上、窓際等で保管しないでください。
- ▶ 製品およびバッテリーは、子供や権限のない人が手を触れることのないようにして保管してください。
- ▶ 使用前にその都度、また長期にわたる保管の前には、製品とバッテリーに損傷がないか点検してください。

9 故障時のヒント

この表に記載されていない、あるいはご自身で解消することのできない故障が発生した場合には、弊社営業担当またはHilti サービスセンターにご連絡ください。

9.1 ローターハンマードリルは作動不能状態

故障	考えられる原因	解決策
バッテリーのLEDがなにも表示しない。	バッテリーが完全に装着されていない。	▶ バッテリーを「カチッカチ」と音がするまでロックする。
	バッテリーが放電している。	▶ バッテリーを交換し、空のバッテリーを充電する。
	バッテリーの温度が高すぎる、または低すぎる。	▶ バッテリーを冷ますか、あるいはバッテリーを室内温度にする。
バッテリーの1個のLEDが点滅。	バッテリーが放電している。	▶ バッテリーを交換し、空のバッテリーを充電する。
	バッテリーの温度が高すぎる、または低すぎる。	▶ バッテリーを冷ますか、あるいはバッテリーを室内温度にする。
バッテリーの4個のLEDが点滅。	ロータリーハンマードリルの短時間の過負荷。	▶ コントロールスイッチから指を放し、改めてコントロールスイッチを操作する。



9.2 ローターハンマードリルは作動可能状態

故障	考えられる原因	解決策
打撃がない。	ロータリーハンマードリルの温度が低すぎる。	▶ ローターハンマードリルを母材に接触させて、アイドル回転させる。打撃機構が始動するまでこれを繰り返す。
	機能切り替えスイッチが「回転のみ」 に設定されている。	▶ 機能切り替えスイッチを「回転 + 打撃」 にする。
コントロールスイッチが押せない、あるいは動かない。	正回転 / 逆回転切り替えスイッチが中立位置。	▶ 正回転 / 逆回転切り替えスイッチを右または左へ押す。
本体スピンドルが回転しない。	ロータリーハンマードリルの電子回路の作動温度が許容範囲を越えている。	▶ 本体を冷ます。
	バッテリーが放電している。	▶ バッテリーを交換し、空のバッテリーを充電する。
	機能切り替えスイッチがロックされていない、または「ハツリ作業」 が「チゼル角度調整」 の位置になっている。	▶ 機能切り替えスイッチを「回転のみ」 または「回転 + 打撃」 の位置にする。
ロータリーハンマードリルが自動的にオフになる。	過負荷保護機構(スピードレギュレーター) が作動している。	▶ コントロールスイッチから指を放す。ロータリーハンマードリルを冷ます。コントロールスイッチを改めて操作する。負荷を低減する。
バッテリーの消耗が通常よりも早い。	周囲温度が低すぎる。	▶ バッテリーをゆっくり室温まで暖める。
バッテリーが「カチカチ」と音がするまでロックされない。	バッテリーのロックノッチが汚れている。	▶ ロックノッチを清掃してバッテリーを改めてロックする。
ロータリーハンマードリルあるいはバッテリーが熱くなる。	電氣的故障	▶ ローターハンマードリルを直ちにオフにする。バッテリーを取り外して点検する。バッテリーを冷ます。Hilti サービスセンターに連絡する。
	ロータリーハンマードリルの過負荷。	▶ より出力の大きな装置を選択する。
先端工具をロックから取り出せない。	チャックが完全に引き戻されていない。	▶ チャックロックスリーブをストップ位置まで引き戻し、先端工具を取り外す。
先端工具が切削しない。	ロータリーハンマードリルが逆回転になっている。	▶ 正回転 / 逆回転切り替えスイッチを正回転にする。
	機能切り替えスイッチが「回転のみ」 に設定されている。	▶ 機能切り替えスイッチを「回転 + 打撃」 にする。

10 オプションのアクセサリ

10.1 DCD 集じんリング

DCD 集じんリングはHilti ローターハンマードリルのアクセサリとして使用するものです。これは頭上作業で発生する粉じんの大部分を集め、迅速かつ簡単にロータリーハンマードリルに固定することができます。

10.2 TE DRS-6-A / TE DRS-6-A OSHA 集じんモジュール

TE DRS-6-A 集じんモジュールは、Hilti のTE 6-A22 ローターハンマードリル用のアクセサリとして使用するものです。この集じんモジュールは発生する粉じんの大部分を集め、迅速かつ簡単にロータリーハンマードリルに固定することができます。集じんモジュールにはサクションファンが内蔵されています。このサクションファンは専用モーターから動力を得ます。ロータリーハンマードリルをオンにすると、モジュールはロータリーハンマードリルのバッテリーから動力のための電流を得ます。



この集じんモジュールは、金属や木材への作業には適していません。

条件: TE DRS-6-A OSHA

TE DRS-6-A OSHA はOSHA 1926.1153 基準を満たしています (Table 1)。フィルター清掃メカニズムを装備しています。

10.2.1 集じんモジュールを取り付ける **12**

i 取付けの前に、固定ポイントおよびロータリーハンマードリルと集じんモジュールの電気接続部に埃がなく、スムーズに動くことを確認してください。

1. 集じんモジュールに損傷がないか点検してください。
2. テレスコープがスムーズに動くか点検してください。
3. ロータリーハンマードリルの正回転 / 逆回転切り替えスイッチを中立の位置にします。
4. デブスゲージをサイドハンドルから取り外します。
5. 集じんモジュールを、ロックされるまで前方から本体へとスライドさせます。
6. 取付けの後、集じんモジュールが正しくロックされていることをチェックしてください。

10.2.2 集じんモジュールを使用しての穿孔作業

1. 集じんモジュールを始動させるには、ロータリーハンマードリルの制御ボタンを押します。
2. 吸引能力が最大になるまで、制御ボタンを押し続けてください。
3. サクションヘッドを母材に垂直に接触させます。
4. 穴を穿孔し、できるだけ多くの粉じんを吸引するよう製品をゆっくり穿孔穴から引き抜きます。

10.2.3 ダストコンテナを空にする **13**

i ダストコンテナが満杯、あるいはフィルターが目詰まりしていると、粉じんの発生が増える原因となるので、ダストコンテナを定期的に空にする必要があります。

8...10 個の穿孔穴 (16 mm x 50 mm、5/8 インチ x 2 インチ) を加工した後は、ダストコンテナを空にしてください。

粉じんの発生を最少に抑えるため、粉じんは密閉された容器に集めてください。

1. 本体を水平に保ち、短時間作動させます。
 - ▶ これが集じんモジュールに溜まっていた粉じんの残りがダストコンテナに吸引されます。
2. ダストコンテナのロック解除ボタンを押して、押した状態を保ちます。
3. ダストコンテナを集じんモジュールから下方へ引き抜きます。
4. ダストコンテナを空にします。
 - ▶ フィルターが汚れている。
 - ▶ フィルターを交換してください。
 - ▶ フィルターは汚れていない。
5. 空のダストコンテナを下方から集じんモジュールにはめ込み、ロックします。

10.2.4 TE-DRS-OSHA フィルターを清掃する **14**

i 5 個の穿孔穴 (16 mm x 50 mm、1/2 インチ x 3 インチ) を加工した後は、フィルターを清掃してください。

- ▶ 吸引能力が低下したなら、その都度清掃メカニズムをクリック音が聞こえるまで 5 回前後に押し続けてください。

10.2.5 集じんモジュールを取り外す **15**

1. ロータリーハンマードリルの正回転 / 逆回転切り替えスイッチを中立の位置にします。
2. DRS ロック解除ボタンを押して、押した状態を保ちます。
3. 集じんモジュールを本体から前方へ引き抜きます。



11 廃棄

警告

誤った廃棄による負傷の危険！ 漏出するガスあるいはバッテリー液により健康を損なう危険があります。

- ▶ 損傷したバッテリーを送付しないでください！
- ▶ 短絡を防止するために接続部を非導電性のもので覆ってください。
- ▶ バッテリーは子供が手を触れることのないように廃棄してください。
- ▶ バッテリーの廃棄は、最寄りのHilti Storeあるいは適切な廃棄物処理業者に依頼してください。

Hilti 製品の大部分の部品はリサイクル可能です。リサイクル前にそれぞれの部品は分別して回収されなければなりません。多くの国でHiltiは、古い工具をリサイクルのために回収しています。詳細については弊社営業担当またはHilti 代理店・販売店にお尋ねください。



- ▶ 電動工具、電子機器およびバッテリーを一般ゴミとして廃棄してはなりません！

12 RoHS (有害物質使用制限に関するガイドライン)

下記のリンクより、有害物質を記載した表を確認できます：qr.hilti.com/r4695。
本書の最終ページに RoHS 表にリンクした QR コードがあります。

13 メーカー保証

- ▶ 保証条件に関するご質問は、最寄りのHilti 代理店・販売店までお問い合わせください。

오리지널 사용설명서

1 사용 설명서 관련 정보

1.1 본 사용 설명서에 관하여

- 처음 이 제품을 사용하기 전에 본 사용 설명서를 읽으십시오. 안전하게 작업하고 문제 없이 취급하기 위한 전제가 됩니다.
- 본 사용 설명서 및 제품에 나와 있는 안전상의 주의사항 및 경고 지침에 유의하십시오.
- 항상 제품에 있는 사용 설명서를 잘 보관하고 제품은 반드시 본 사용 설명서와 함께 다른 사람에게 전달하십시오.

1.2 기호 설명

1.2.1 경고사항

본 제품을 다루면서 발생할 수 있는 위험에 대한 경고사항. 다음과 같은 시그널 워드가 사용됩니다.

위험

위험!

- ▶ 이 기호는 직접적인 위험을 표시합니다. 만약 지키지 않으면 심각한 부상을 당하거나 사망할 수도 있습니다.

경고

경고!

- ▶ 이 기호는 잠재적인 위험을 표시합니다. 만약 지키지 않으면 심각한 부상을 당하거나 사망할 수도 있습니다.

주의

주의!

- ▶ 이 기호는 잠재적인 위험 상황을 표시합니다. 만약 지키지 않으면 부상 또는 물적 손실을 입을 수 있습니다.



1.2.2 사용 설명서에 사용된 기호

본 사용 설명서에서 사용되는 기호는 다음과 같습니다.

	사용 설명서에 유의하십시오
	적용 지침 및 기타 유용한 사용정보
	재사용이 가능한 자재 취급방법
	전기 기기 및 배터리를 일반 가정의 쓰레기처럼 폐기해서는 안 됨
	Hilti 리튬 이온 배터리
	Hilti 충전기

1.2.3 그림에 사용된 기호

다음과 같은 기호가 그림에 사용됩니다.

	이 숫자는 본 사용 설명서 첫 부분에 있는 해당 그림을 나타냅니다.
	그림에 매겨진 번호는 중요한 작업 순서 또는 작업 순서에 중요한 부품을 나타냅니다. 텍스트에 해당 작업 순서 또는 해당 번호가 매겨진 부품이 강조 표시됩니다(예: (3)).
	항목 번호는 개요 그림에서 사용되며 제품 개요 단락에 나와 있는 기호 설명 번호를 나타냅니다.
	이 표시는 제품을 다룰 때, 특별히 주의할 사항을 나타냅니다.

1.3 제품 관련 기호

1.3.1 기호

다음과 같은 기호가 제품에 사용됩니다.

	함마링 컷아웃
	타격하여 드릴링(함마드릴링)
	치즐링
	치출 각도 조정
	정회전/역회전
	무부하 회전속도
	직류
	리튬이온 배터리
	사용한 Hilti 리튬이온 배터리 모델 시리즈. 규정에 맞는 사용 단원에 제시된 내용에 유의하십시오.
	배터리는 절대 타격 공구로 사용해서는 안 됩니다.
	배터리를 떨어뜨리지 마십시오. 타격을 받은 적이 있거나 다른 손상이 있는 배터리는 사용하지 마십시오.
	본 기기는 iOS 및 Android 플랫폼과 호환 가능한 NFC 기술을 지원합니다.

1.4 제품 정보

HILTI 제품은 전문가용으로 설계되어 있으며, 해당 교육을 이수한 공인된 작업자를 통해서만 조작, 유지 보수 및 수리 작업을 진행할 수 있습니다. 이 기술자는 발생할 수 있는 위험에 대해 특별 교육을 받은 상태여야



합니다. 교육을 받지 않은 사람이 제품을 부적절하게 취급하거나 규정에 맞지 않게 사용할 경우에는 기기와 그 보조기구에 의해 부상을 당할 위험이 있습니다.

형식 명칭 및 일련 번호는 형식 라벨에 제시되어 있습니다.

▶ 일련 번호를 다음의 표에 옮기십시오. 대리점 또는 서비스 센터에 문의할 경우 제품 제원이 필요합니다.

제품 제원

로타리 함마 드릴	TE 6-A22
세대	04
일련 번호	

1.5 적합성 선언

퍼사는 전적으로 책임을 지고 여기에 기술된 제품이 통용되는 기준과 규격에 일치함을 공표합니다. 적합성 증명서 사본은 본 문서 끝 부분에서 확인할 수 있습니다.

기술 문서는 이곳에 기술되어 있습니다.

Hilti Entwicklungsgesellschaft mbH | Zulassung Geräte | Hiltistraße 6 | 86916 Kaufering, DE

2 안전

2.1 전동 공구에 대한 일반적인 안전상의 주의사항

⚠ 경고 해당 전동 공구와 함께 동봉된 모든 안전상의 주의 사항, 지침, 그림 및 기술자료를 숙지하십시오. 다음과 같은 지침 내용을 준수하지 않으면 전기 충격, 화재가 발생하거나 그리고/또는 중상을 입을 수 있습니다. 앞으로 모든 안전상의 주의사항과 지침을 보관하십시오.

안전상의 주의사항에서 사용되는 "전동 공구"라는 개념은 전원에 연결하여 사용하는 전동 공구(전원 케이블 있음) 또는 배터리를 사용하는 전동 공구(전원 케이블 없음)를 의미합니다.

작업장 안전수칙

- ▶ 작업장을 항상 깨끗이 하고 조명이 잘 들도록 하십시오. 어수선한 작업환경 또는 어두운 작업장은 사고를 초래할 수 있습니다.
- ▶ 인화성 액체, 가스 또는 먼지가 있어 폭발 위험이 있는 환경에서는 전동 공구를 사용하지 마십시오. 전동 공구의 먼지나 증기를 점화시킬 수 있는 스파크를 일으킵니다.
- ▶ 전동 공구를 사용할 때, 어린이들이나 다른 사람들이 작업장에 접근하지 못하도록 하십시오. 다른 사람의 방해로 인해 기기를 통제하기 어렵습니다.

전기에 관한 안전수칙

- ▶ 전동 공구의 전원 플러그가 소켓에 잘 끼워져야 합니다. 플러그를 절대 변형시켜서는 안됩니다. 접지된 전동 공구와 함께 아답타 플러그를 사용하지 마십시오. 변형되지 않은 플러그와 적합한 소켓을 사용하면 감전의 위험을 줄일 수 있습니다.
- ▶ 파이프, 히터, 전기레인지, 냉장고와 같은 접지 표면에 신체 접촉을 피하십시오. 신체에 닿을 경우 감전될 위험이 높습니다.
- ▶ 전동 공구가 비에 맞지 않도록 하고 습한 장소에 두지 마십시오. 전동 공구에 물이 들어가면 감전될 위험이 높습니다.
- ▶ 전원 케이블만 잡고 전동 공구를 운반하거나 걸어 놓아서는 안되며, 소켓에서 전원 플러그를 빼낼 때 케이블만 잡은 채로 빼내지 마십시오. 전원 케이블이 열, 오일, 날카로운 모서리 또는 부품의 가동 부위에 접촉하지 않도록 주의하십시오. 손상되거나 서로 꼬인 전원 케이블은 감전 위험을 높입니다.
- ▶ 실외에서 전동 공구를 이용하여 작업할 때, 실외용으로 승인된 연장 케이블만 사용하십시오. 실외용 연장 케이블을 사용하면 감전의 위험을 줄여줍니다.
- ▶ 전동 공구를 습한 환경에서 사용하는 것을 피할 수 없을 경우, 누전 차단기를 사용하십시오. 누전 차단기를 사용하면 감전 위험을 줄일 수 있습니다.

사용자 안전수칙

- ▶ 신중하게 작업하십시오. 작업에 정신을 집중하고 전동 공구를 사용할 때 경솔하게 행동하지 마십시오. 피곤하거나 항정신성 약물, 술 또는 약을 복용시에는 전동 공구를 사용하지 마십시오. 전동 공구 사용 시 이에 유의하지 않을 경우 심각한 부상을 초래할 수 있습니다.
- ▶ 안전 장비를 갖추고 보안경을 착용하십시오. 전동 공구의 종류와 사용에 따라, 먼지 보호 마스크, 미끄럼 방지용 안전 신발, 안전모 또는 귀마개 등과 같은 안전한 보호장비를 착용하면 부상의 위험을 줄일 수 있습니다.
- ▶ 실수로 기기가 작동하지 않도록 주의하십시오. 전동 공구를 전원 그리고/또는 배터리에 연결하기 전, 보관 또는 운반 전에 전동 공구가 스위치 OFF 상태인지 확인하십시오. 전동 공구 운반 시 스위치에 손가락을 대거나 스위치가 켜진 상태에서 전원을 연결하면 사고를 유발할 수 있습니다.



- ▶ 전동 공구의 스위치를 켜기 전, 조정공구 또는 렌치를 제거하십시오. 기기 회전부에 남아있는 공구나 렌치로 인해 부상을 입을 수 있습니다.
- ▶ 작업 시 비정상적인 자재는 피하십시오. 안전한 작업자재가 되도록 하고, 항상 균형을 유지하십시오. 이렇게 하여 예기치 않은 상황에서도 전동 공구를 잘 제어할 수 있습니다.
- ▶ 적합한 작업복을 착용하십시오. 헐렁한 복장이나 장식품을 착용하지 마십시오. 작동하는 기기 가동 부위에 머리, 옷 그리고 장갑이 가까이 닿지 않도록 주의하십시오. 헐렁한 복장, 장식품 혹은 긴 머리가 가동 부위에 말려 들어갈 수 있습니다.
- ▶ 먼지 제거장치나 수거장치를 설치할 수 있는 기기의 경우, 이 장치들이 연결되어 있는지 그리고 제대로 작동되는지를 확인하십시오. 먼지 포집장치 사용은 먼지로 인한 위험을 줄여줄 수 있습니다.
- ▶ 이 전동 공구를 여러번 사용해왔다고 해서 안전하다고 안심하지 말고 전동 공구에 해당되는 안전 규칙을 무시하지 마십시오. 부주의하게 행할 경우 아주 짧은 순간에 중상을 입을 수 있습니다.

전동 공구의 취급과 사용

- ▶ 기기에 과부하가 걸리지 않도록 하십시오. 귀하의 작업에 적합한 전동 공구를 사용하십시오. 적합한 전동 공구를 사용하면, 지정된 성능 한도 내에서 더 효율적으로 안전하게 작업할 수 있습니다.
- ▶ 스위치가 고장난 전동 공구는 사용하지 마십시오. 스위치가 작동되지 않는 전동 공구는 위험하므로, 반드시 수리를 해야 합니다.
- ▶ 기기 세팅을 실행, 액세서리를 교환 또는 기기를 보관하기 전에 컨택터를 전원소켓에서 그리고/또는 탈착식 배터리를 기기에서 빼놓으십시오. 이러한 조치는 실수로 전동 공구가 작동하지 않도록 방지합니다.
- ▶ 사용하지 않는 전동 공구는 어린이들의 손이 닿지 않는 곳에 보관하십시오. 기기 사용에 익숙치 않거나 또는 이 안전수칙을 읽지 않은 사람이 기기를 사용해서는 안 됩니다. 비숙련자가 전동 공구를 사용하면 위험합니다.
- ▶ 전동 공구 및 액세서리를 유의해서 관리하십시오. 기기의 가동 부위가 완벽하게 작동하는지, 끼어 있지 않은지, 혹은 부품이 손상되거나 파손되어 있어 전동 공구의 기능을 저하시키지 않는지 점검하십시오. 기기 사용 전 손상된 부품을 수리하도록 하십시오. 제대로 관리되지 않은 전동 공구는 많은 사고를 유발합니다.
- ▶ 절단기기는 날카롭고 깨끗하게 관리하십시오. 날카로운 절단면이 있고 잘 관리된 절단기기는 끼이는 경우가 드물고 조절하기도 쉽습니다.
- ▶ 본 지침에 따라 전동 공구, 액세서리, 공구 비트 등을 사용하십시오. 이 때 작업 조건과 실시하려는 작업 내용을 고려하십시오. 원래 사용 분야가 아닌 다른 작업에 전동 공구를 사용할 경우, 위험한 상황을 초래할 수 있습니다.
- ▶ 손잡이 및 손잡이 표면은 건조하고 깨끗하게, 그리고 오일과 그리스가 묻어있지 않도록 해야 합니다. 미끄러운 손잡이 및 손잡이 표면은 예상치 못한 상황에서 전동 공구를 안전하게 조작하고 제어할 수 없습니다.

배터리 공구의 취급과 사용

- ▶ 제조회사가 권장한 충전기에만 배터리를 충전시키십시오. 특정한 형식의 배터리를 사용하도록 규정되어 있는 충전기에 다른 배터리를 사용할 경우 화재 발생의 위험이 있습니다.
- ▶ 전동 공구에 적합하게 규정된 배터리만 사용하십시오. 다른 배터리를 사용하면 부상을 입을 수 있고, 화재가 발생할 수 있습니다.
- ▶ 배터리를 사용하지 않을 경우 클립, 동전, 키, 못, 나사 또는 다른 소형 금속 물질로부터 사용하지 않는 배터리를 멀리 떨어뜨려 놓아주십시오. 배터리 간 단락으로 인한 연소 또는 화재를 초래할 수 있습니다.
- ▶ 잘못 사용할 경우, 배터리로부터 전해액이 흘러나올 수 있습니다. 전해액을 직접 만지지 마십시오. 실수로 만졌을 경우, 물로 씻으십시오. 전해액이 눈에 들어갔으면, 의사와 상담하십시오. 배터리로부터 흘러나온 전해액은 피부를 손상시킬 수 있으며, 화재를 발생시킬 수 있습니다.
- ▶ 손상된 배터리 또는 변경된 배터리를 사용하지 마십시오. 손상된 배터리 또는 변경된 배터리는 예상치 못한 상황 및 화재, 폭발 또는 부상 위험을 초래할 수 있습니다.
- ▶ 배터리에서 불꽃이 발생하거나 또는 배터리가 너무 높은 온도에 노출되지 않게 하십시오. 불꽃 또는 온도가 130 °C (265 °F)를 넘으면 폭발을 일으킬 수 있습니다.
- ▶ 충전에 관한 모든 지침을 준수하여 배터리 또는 배터리 공구를 절대 사용 설명서에 제시된 범위를 벗어난 온도에서 충전하지 마십시오. 잘못 충전하거나 허용된 범위를 벗어난 온도에서 충전하면 배터리가 파손되어 화재 발생 위험이 높아질 수 있습니다.

서비스

- ▶ 전동 공구는 반드시 자격을 갖춘 전문가에 의해 그리고 순정 대체부품만 이용하여 수리해야 합니다. 이렇게 하여 기기의 안전성을 계속해서 유지할 수 있습니다.
- ▶ 손상된 배터리를 절대 수리하지 마십시오. 배터리 수리는 제조회사 또는 권한을 위임받은 고객 서비스센터에서만 이루어져야 합니다.

2.2 해머에 대한 안전상의 주의사항

모든 작업에 대한 안전상의 주의사항

- ▶ 귀마개를 착용하십시오. 소음은 청각 상실을 유발할 수 있습니다.



- ▶ 기기와 함께 공급된 보조 손잡이를 사용하십시오. 기기를 제어하지 못하면 부상을 입을 수 있습니다.
- ▶ 숨겨진 전선에 공구 비트가 접촉할 수 있는 작업을 실행할 경우, 항상 기기의 절연된 손잡이 부분을 잡으십시오. 전류가 흐르는 전선과 접촉하면 전동공구의 금속 부위를 통해 감전이 될 수도 있습니다.

긴 드릴 사용 시 안전상의 주의 사항

- ▶ 드릴 작업은 항상 낮은 속도로 드릴이 공작물에 닿은 상태로 시작하십시오. 더 높은 속도로 작업하는 경우 드릴이 공작물에 닿지 않은 상태에서 회전하면 쉽게 구부러져 부상을 입을 수 있습니다.
- ▶ 과도한 힘을 가하지 말고 드릴이 작동하는 방향으로만 힘을 가하십시오. 드릴이 휘어져 파손되거나 통제력을 잃어 부상을 유발할 수 있습니다.

2.3 그외 로터리 함마 드릴에 관한 안전상의 주의사항

사용자 안전수칙

- ▶ 기술적 하자가 없는 상태에서만 제품 및 액세서리를 사용하십시오.
- ▶ 어떠한 경우에도 제품 또는 액세서리를 변경하거나 개조하지 마십시오.
- ▶ 제품과 함께 공급된 보조 손잡이를 사용하십시오. 기기를 제어하지 못하면 부상을 입을 수 있습니다.
- ▶ 천공 작업 시, 작업할 부분의 반대편이 안전하게 조치를 취하십시오. 발생하는 분쇄물이 빠져 나오거나 또는 떨어지면서 다른 사람이 부상을 입을 수 있습니다.
- ▶ 항상 양손으로 제품의 손잡이를 잡고 공구를 고정시키십시오. 손잡이는 건조하고 깨끗하게 유지하십시오.
- ▶ 숨겨진 전선에 공구 비트가 접촉할 수 있는 작업을 실행할 경우, 항상 제품의 절연된 손잡이 부분을 잡으십시오. 전류가 흐르는 전선과 접촉하면 전동 공구의 금속 부위를 통해 감전이 될 수도 있습니다.
- ▶ 회전하는 부품에 접촉하지 않도록 하십시오. - 부상 위험!
- ▶ 제품을 사용할 때에는 보안경, 안전모, 귀마개 및 적합한 보호 마스크를 착용하십시오.
- ▶ 공구 교체 시 보호장갑을 착용하십시오. 공구 비트에 닿으면 부상을 입거나 화상을 당할 수 있습니다.
- ▶ 보안경을 착용하십시오. 재료의 파편으로 인해 눈 등 신체에 부상을 입을 수 있습니다.
- ▶ 샌딩, 연마, 절단 및 드릴링 작업 시 발생하는 먼지에는 위험한 화학물질이 함유되어 있을 수 있습니다. 예를 들어 납 또는 납 계열의 페인트, 벽돌, 콘크리트 및 기타 조적 벽돌 제품, 자연석 및 기타 실리콘 함유 제품, 참나무, 너도밤나무 및 화학 처리된 목재 등과 같은 특정 목재, 석면 또는 석면이 함유된 자재 등이 있을 수 있습니다. 작업하는 자재의 위험 등급을 따라 조각자 및 주변에 있는 사람들의 노출 정도를 결정하십시오. 안전한 수준에서 노출이 이루어질 수 있도록 예를 들어 먼지 포집장치 사용 또는 적합한 보호 마스크 착용 등 필요한 조치를 취하십시오. 노출을 줄일 수 있는 일반적인 조치:
 - ▶ 환기가 잘 되는 곳에서 작업하기,
 - ▶ 장시간 먼지 접촉 피하기,
 - ▶ 얼굴 및 신체의 먼지를 다른 곳으로 털어내기,
 - ▶ 보호 복장 착용 및 노출된 영역을 비누와 물로 세척하기.
- ▶ 손가락의 혈액순환이 잘 되도록 자주 휴식시간을 갖고, 휴식하는 동안 손가락 운동을 하십시오. 장시간 작업하면 강한 진동으로 인해 혈관 장애 또는 손가락, 손 및 손목의 신경 체계에 이상이 있을 수 있습니다.

전기에 관한 안전수칙

- ▶ 작업을 시작하기 전에, 작업장에서 가려져 있거나 덮혀 있는 전기 배선, 가스 파이프 그리고 하수도관이 있는지를 점검하십시오. 전기 배선, 가스 파이프 또는 하수도관을 손상시킨 경우, 제품 바깥쪽에 있는 금속 부품에서 감전 또는 폭발을 유발할 수 있습니다.

전동 공구의 올바른 사용방법과 취급방법

- ▶ 공구 비트가 블로킹된 경우 즉시 제품의 전원을 끄십시오. 제품이 옆으로 기울어질 수 있습니다.
- ▶ 제품을 내려놓기 전에 제품이 완전히 정지할 때까지 기다리십시오.

2.4 먼지제거기 관련 안전 지침

- ▶ 본 문서 및 기기에 나와 있는 안전 지침에 유의하십시오.
- ▶ 드릴 작업 및 서비스 작업 시 생성되는 잔여 먼지들이 얼굴과 기도 근처로 오지 않게 막아주는 보호용 마스크를 사용하십시오.
- ▶ 먼지제거기가 장작된 상태에서도 항상 Hilti 로터리 함마 드릴의 측면 손잡이를 사용하십시오.

2.5 배터리의 올바른 사용방법과 취급방법

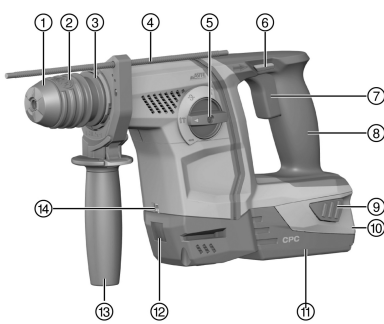
- ▶ 리튬 이온 배터리의 운반, 보관 및 사용에 대한 특수 지침에 유의하십시오.
- ▶ 배터리를 고열, 직사광선 및 화염 근처에 두지 마십시오.
- ▶ 배터리를 분해하거나 강한 압력 또는 80°C (176°F) 이상의 열을 가하거나 연소시켜서는 안됩니다.
- ▶ 충격을 받은 적이 있거나, 1미터가 넘는 높이에서 떨어진 적이 있거나 혹은 다른 방식으로 손상된 배터리는 절대 사용하거나 충전하지 마십시오. 이러한 경우 항상 Hilti 서비스 센터로 문의해 주시기 바랍니다.



- ▶ 배터리를 잡기에 너무 뜨거운 경우에는 고장일 수 있습니다. 배터리를 인화성 물질과 충분한 거리를 둔 상태에서 눈에 잘 띄며 불이 잘 붙지 않는 장소에 두십시오. 배터리를 냉각시키십시오. 한 시간 후에도 계속해서 배터리를 잡기에 너무 뜨거운 경우에는 배터리에 결함이 있을 수 있습니다. Hilti 서비스 센터에 문의하십시오.

3 제품 설명

3.1 제품 개요



- ① 더스트 캡
- ② 척 아답타
- ③ 공구 잠금장치
- ④ 깊이 게이지
- ⑤ 기능 선택 스위치
- ⑥ 정회전/역회전 스위치(스위치ON 로크 포함)
- ⑦ 컨트롤 스위치
- ⑧ 손잡이
- ⑨ 배터리 잠금해제 버튼
- ⑩ 충전상태 표시 및 고장 표시(리튬 이온 배터리)
- ⑪ 배터리
- ⑫ 먼지제거기 TE DRS-6-A(02) 연결부
- ⑬ 측면 손잡이
- ⑭ 작업 공간 조명

3.2 규정에 맞는 사용

기술된 제품은 배터리로 작동되는 로터리 함마 드릴입니다. 본 제품은 콘크리트 및 조적벽돌에서의 함마드릴링, 강철, 목재 및 조적벽돌에서의 드릴링과 볼트를 체결하고 푸는 작업에 적합합니다. 추가로 석재에서 가벼운 치질링 작업을 하거나 콘크리트에서 마무리 작업을 할 때에도 이 제품을 사용할 수 있습니다.

- ▶ 본 제품에는 모델시리즈 B 22의 Hilti 리튬 이온 배터리만 사용하십시오.
- ▶ 본 제품에는 Hilti 리튬 이온 배터리 B22 시리즈만 사용하십시오.

3.3 리튬 이온 배터리 표시

리튬 이온 배터리의 충전 상태 및 기기의 문제 사항은 리튬 이온 배터리의 표시를 통해 나타납니다. 리튬 이온 배터리의 충전 상태는 배터리 잠금 해제 버튼 둘 중 하나를 누르면 표시됩니다.

상태	의미
4개의 LED가 점등됩니다.	충전 상태: 75 % ~ 100 %
3개의 LED가 점등됩니다.	충전 상태: 50 % ~ 75 %
2개의 LED가 점등됩니다.	충전 상태: 25 % ~ 50 %
1개 LED가 점등됩니다.	충전 상태: 10 % ~ 25 %
1개 LED가 깜박입니다.	충전 상태: < 10 %

i 컨트롤 스위치가 조작된 상태에서 컨트롤 스위치에서 손을 떼 후 5초까지는 충전상태를 조회해볼 수 없습니다. 배터리 표시기의 LED가 점멸할 경우, "고장 시 대책" 장의 지침에 유의하십시오.

3.4 공급품목

로터리 함마 드릴, 측면 손잡이, 깊이 게이지, 사용 설명서.

해당 제품에 허용되는 기타 시스템 제품은 **Hilti Store** 또는 다음 사이트에서 확인할 수 있습니다.

www.hilti.group



4 기술 지원

4.1 로타리 함마 드릴

	TE 6-A22
정격 전압	21.6V
EPTA Procedure 01에 따른 무게(B228.0 배터리 포함)	3.8kg
무부하 회전속도	1,050/min
콘크리트/벽돌 드릴링 범위(함마 드릴링)	4mm ... 28mm
목재 드릴링 범위(드릴)	3mm ... 20mm
금속 천공 직경(드릴)	3mm ... 13mm

4.2 EN 62841에 따른 소음 정보 및 진동값

이 치함에 제시된 음압 및 진동수준은 표준화된 측정방법에 따라 측정된 것이며, 전동 공구를 서로 비교하기 위한 용도로 사용할 수 있습니다. 음압 및 진동 수준은 노출 정도를 사전에 예측하는 데에도 유용하게 사용할 수 있도록 설계되어 있습니다.

제시된 데이터는 전동 공구의 주된 용도를 나타냅니다. 그러나 전동 공구를 다른 용도로 사용하거나 다른 공구 비트를 사용할 경우 또는 유지보수를 충분히 하지 않은 상태에서는 데이터에 편차가 있을 수 있습니다. 이러한 경우 전 작업시간에 걸쳐 노출이 현저하게 증가할 수 있습니다.

노출을 정확하게 평가하기 위해서는 전동 공구 작동이 멈춰 있거나 또는 작동 중이지만 실제로는 사용하지 않는 시간도 고려해야 합니다. 이러한 경우 전 작업시간에 걸쳐 노출이 현저하게 감소할 수 있습니다.

사용자를 보호하기 위해 음파 그리고/또는 진동이 작용하기 전에 다음과 같은 추가적인 안전 조치를 취하십시오. 전동 공구와 공구 비트의 유지보수, 손을 따뜻하게 유지, 작업순서 정하기 등.

소음 정보

소음 수준 (L_{WA})	100dB(A)
음압 수준 (L_{pA})	89dB(A)
허용공차(임계값) (K_{pA} 및 K_{WA})	3dB(A)

진동 총 값

		TE 6-A22
콘크리트에 함마 드릴링 ($a_{h, HD}$)	B 22/2.6 Li-Ion (02)	19.9m/s ²
	B 22/8.0 Li-Ion	17.1m/s ²
콘크리트 함마 드릴링 허용공차	B 22/2.6 Li-Ion (02)	2.1m/s ²
	B 22/8.0 Li-Ion	1.5m/s ²
치질링 작업 ($a_{h, CHed}$)	B 22/2.6 Li-Ion (02)	10.9m/s ²
	B 22/8.0 Li-Ion	12.1m/s ²
치질링 허용공차	B 22/2.6 Li-Ion (02)	1.5m/s ²
	B 22/8.0 Li-Ion	1.5m/s ²

4.3 배터리

배터리 모드 전압	21.6V
작동 시 주변 온도	-17 °C ... 60 °C
보관 온도	-20 °C ... 40 °C
충전 시작 시 배터리 온도	-10 °C ... 45 °C

5 조작

5.1 작업 준비



경고

부상 위험 돌발적인 작동!

- ▶ 배터리를 끼우기 전에 해당 제품의 전원이 꺼져 있는지 확인하십시오.
- ▶ 기기 설정 또는 액세서리를 교체하기 전에 배터리를 제거하십시오.



본 문서 및 제품에 나와 있는 안전 지침 및 경고 지침에 유의하십시오.

5.2 배터리 삽입 2

⚠ 주의

부상위험! 로타리 함마 드릴의 돌발적인 시동.

- ▶ 배터리를 끼우기 전에 로타리 함마 드릴의 스위치가 꺼져 있는지, 그리고 정회전/역회전 스위치(스위치ON 로크)가 중간위치에 있는지 확인하십시오.

1. 잠기는 소리가 들릴 때까지 배터리를 기기 홀더 안에 끼우십시오.
2. 배터리가 정확하게 설치되어 있는지 점검하십시오.

5.3 배터리 제거 3

1. 배터리의 잠금 해제 버튼을 누르십시오.
2. 배터리를 뒤쪽으로 당겨서 빼십시오.

5.4 측면 손잡이 장착 4

⚠ 주의

부상위험! 제품에 대한 제어력 상실.

- ▶ 측면 손잡이가 정확하게 설치되고 올바르게 고정되어 있는지 확인하십시오. 제품의 지정된 홈에 조임 밴드가 있는지에 확인하십시오.

1. 손잡이를 돌려서 측면 손잡이 홀더(조임 밴드)를 푸십시오.
2. 깊이 게이지를 앞쪽에서부터 지정된 2개의 가이드 홀 안쪽으로 미십시오.
3. 손잡이를 돌려서 측면 손잡이 홀더(조임 밴드)를 조이십시오.

5.5 깊이 게이지 장착 및 조정 5

- ▶ 깊이 게이지를 장착하고 필요에 따라 조정하십시오.

5.6 척 아답타 장착/분리 6

⚠ 주의

부상위험! 장착되어 있기는 하지만 사용하지 않는 깊이 게이지로 인한 사용자 방해 위험.

- ▶ 기기에서 깊이 게이지를 제거하십시오.

- ▶ 척 아답타를 장착/분리하십시오.

5.7 공구 삽입 7

1. 드릴 생크식 기기 비트를 가볍게 기름칠하십시오
 - ▶ Hilti의 순정 그리스만 사용하십시오. 적합하지 않은 그리스를 사용하면 제품이 손상될 수 있습니다.
2. 공구 비트를 스톱위치까지 척 아답타에 끼우고 장착하십시오.
3. 장착 후 공구를 잡아 당겨, 제대로 잠겨졌는지를 점검하십시오.
 - ▶ 제품이 작동 가능한 상태입니다.

5.8 치출 분리 8

- ▶ 공구 잠금장치를 스톱 위치까지 뒤로 당겨 기기 비트를 빼내십시오.

5.9 오버헤드 작업 9

- ▶ 먼지 제거 링 DCD를 오버헤드 작업을 위해 장착하십시오.

5.10 치출 각도 조정 10

- ▶ 기능 선택 스위치를 → 위치에 두십시오.



주의

올바르지 않은 취급으로 인한 손상 위험!

- ▶ 작동 중에는 회전방향 선택 그리고/또는 기능 선택 스위치를 작동하지 마십시오.

본 문서 및 제품에 나와 있는 안전 지침 및 경고 지침에 유의하십시오.

6.1 **기능 선택 스위치**

- ▶ 기능 선택 스위치를 각각 원하는 작업 위치에 두십시오.
 - ▶ 작동 중에는 기능 선택 스위치를 작동시키지 마십시오. 손상 위험!

6.2 **정회전/역회전**

- ▶ 정회전/역회전 스위치를 원하는 회전 방향으로 설정하십시오.

6.3 **함마링 컷아웃**

- ▶ 기능 선택 스위치를 위치에 두십시오.

6.4 **함마드릴링**

- ▶ 기능 선택 스위치를 위치에 두십시오.

6.5 **치질링**

- ▶ 기능 선택 스위치를 위치에 두십시오.
 - ▶ 최적의 모터 냉각을 위해 정회전(드릴 회전 방향)을 선택하십시오.

7 **유지 관리****7.1** **관리 및 유지보수** **경고**

배터리가 끼워진 상태에서 부상 위험!

- ▶ 관리 및 수리 작업을 진행하기 전에 항상 배터리를 제거하십시오!

제품 관리

- 공구에 부착되어 있는 오염물질을 조심스럽게 제거하십시오.
- 오염물질이 있는 경우, 부드러운 마른 솔로 환기 슬롯을 조심스럽게 청소하십시오.
- 약간의 물기가 있는 수건으로만 하우징을 청소해 주십시오. 플라스틱 부품을 손상시킬 수 있으므로 절대로 실리콘이 함유된 보호제를 사용하지 마십시오.
- 제품의 접점을 청소하려면 깨끗하고 마른 천을 사용하십시오.

리튬 이온 배터리 관리

- 환기 슬롯이 막힌 상태에서는 절대 배터리를 사용하지 마십시오. 부드러운 마른 솔로 환기 슬롯을 조심스럽게 청소하십시오.
- 배터리가 불필요하게 먼지 또는 오염물에 노출되지 않도록 하십시오. 배터리를 절대 습도가 높은 곳에 두지 마십시오(예: 물 속에 담그거나 비내리는 곳에 두는 행위).
- 배터리에 물이 들어가면, 손상된 배터리처럼 취급하십시오. 물이 들어간 배터리는 비가연성 용기에서 절연시킨 후, **Hilti** 서비스 센터에 문의해 주십시오.
- 배터리를 외부 오일 및 그리스가 묻지 않도록 깨끗하게 유지하십시오. 배터리에 불필요하게 먼지 또는 오염물이 쌓이지 않도록 하십시오. 배터리를 부드러운 마른 솔 또는 깨끗하고 마른 걸레로 닦아내십시오. 플라스틱 부품을 손상시킬 수 있으므로 절대로 실리콘이 함유된 보호제를 사용하지 마십시오. 배터리의 접점에 접촉하지 말고, 접점에서 공구축에 부착된 그리스를 제거하지 마십시오.
- 약간의 물기가 있는 수건으로만 하우징을 청소해 주십시오. 플라스틱 부품을 손상시킬 수 있으므로 절대로 실리콘이 함유된 보호제를 사용하지 마십시오.

유지보수

- 눈에 보이는 모든 부품은 정기적으로 손상 여부를 점검하고, 조작요소가 문제 없이 작동하는지 점검하십시오.



- 손상되었거나 기능 장애가 있는 경우에는 제품을 작동하지 마십시오. 즉시 Hilti 서비스 센터에 제품 수리를 의뢰하십시오.
- 관리 및 수리 작업 후 모든 보호장치를 가져와 기능에 이상이 없는지 점검하십시오.

i 안전하게 작동하기 위해서는 순정품 예비 부품 및 소모품만 사용하십시오. Hilti에서 승인한 예비 부품, 소모품 및 액세서리는 Hilti Store 또는 www.hilti.group에서 확인할 수 있습니다.

7.2 더스트 캡 청소

- ▶ 깨끗한 마른 걸레를 이용하여, 척 아답타의 더스트 캡을 정기적으로 청소하십시오.
- ▶ 씰링 립을 조심스럽게 깨끗하게 닦아낸 다음, Hilti 그리스를 다시 약간 바르십시오.
- ▶ 씰링 립이 손상되었을 경우, 반드시 더스트 캡을 교환하십시오.

8 운반 및 보관

8.1 충전식 공구 및 배터리 운반 및 보관

운반

주의

운반 시 돌발적으로 작동됨!

- ▶ 제품은 항상 배터리를 장착하지 않은 상태로 운반하십시오!
- ▶ 배터리를 분리하십시오.
- ▶ 배터리를 고정하지 않은 채로 운반해서는 절대 안 됩니다. 운반하는 도중 배터리에 과도한 충격을 받거나 진동이 발생하지 않게 하고 모든 전도성 소재 또는 다른 배터리로부터 분리시켜 다른 배터리 전극에 닿지 않고 단락이 발생하지 않게 하십시오. 배터리와 관련된 현지 운반 규정에 유의하십시오.
- ▶ 배터리는 우편을 통해 전달할 수 없습니다. 손상이 없는 배터리를 전송하고자 하는 경우 배송업체에 문의하십시오.
- ▶ 제품 및 배터리를 사용하기 전에 그리고 장시간 운반한 후에는 항상 손상 여부를 점검하십시오.

보관

경고

배터리 결함 또는 방전으로 인한 돌발적인 손상!

- ▶ 제품은 항상 배터리를 장착하지 않은 상태로 보관하십시오!
- ▶ 제품 및 배터리를 냉각 및 건조시켜 보관하십시오. 기술자료에 제시된 허용 온도 한계값에 유의하십시오.
- ▶ 배터리를 충전기에 보관하지 마십시오. 충전 후에는 항상 배터리를 충전기에서 분리하십시오.
- ▶ 배터리는 절대 직사광선이 들어오는 곳, 열원 위 또는 유리 뒤쪽에 보관하지 마십시오.
- ▶ 제품 및 배터리는 건조한 상태로 어린이나 외부인의 손이 닿지 않는 곳에 보관하십시오.
- ▶ 제품 및 배터리를 사용하기 전에 그리고 장시간 보관한 후에는 항상 손상 여부를 점검하십시오.

9 문제 발생 시 도움말

본 도표에 제시되어 있지 않거나 스스로 해결할 수 없는 문제가 발생한 경우 Hilti 서비스 센터에 문의해 주십시오.

9.1 로타리 함마 드릴이 작동되지 않습니다.

장애	예상되는 원인	해결책
배터리에서 LED 표시되지 않음.	배터리가 완전히 삽입되지 않음.	▶ 이종으로 찰카하는 소리가 들릴 때까지 배터리를 맞물려 고정시키십시오.
	배터리를 방전시키십시오.	▶ 배터리를 교체하고 방전된 배터리를 충전하십시오.
	배터리 과열 또는 과냉 상태.	▶ 배터리를 냉각시키거나 배터리를 실온으로 유지하십시오.
배터리에서 1개 LED가 깜박임.	배터리를 방전시키십시오.	▶ 배터리를 교체하고 방전된 배터리를 충전하십시오.



장애	예상되는 원인	해결책
배터리에서 1개 LED가 깜박임.	배터리 과열 또는 과냉 상태.	▶ 배터리를 냉각시키거나 배터리를 실온으로 유지하십시오.
배터리에서 4개의 LED가 깜박임.	로타리 함마 드릴 잠깐 동안 과부하.	▶ 컨트롤 스위치에서 손을 떼고 스위치를 다시 조작하십시오.

9.2 로타리 함마 드릴이 작동됩니다.

장애	예상되는 원인	해결책
타격이 되지 않음.	로타리 함마 드릴 과냉 상태.	▶ 로터리 함마 드릴을 바닥에 두고 공회전 상태로 작동시키십시오. 필요한 경우 함마링 장치가 작동될 때까지 과정을 반복하십시오.
	"함마링 컷아웃"에 놓인 기능 선택 스위치	▶ 기능 선택 스위치를 "함마드릴링" 위치에 두십시오
컨트롤 스위치를 누를 수가 없음 또는 블로킹됨.	정회전/역회전 스위치가 중간위치에 있음.	▶ 정회전/역회전 스위치를 좌측 또는 우측으로 누르십시오.
기기 스피들이 회전하지 않음.	로타리 함마 드릴 전자장치의 허용되는 작동 온도를 초과함.	▶ 기기를 냉각시키십시오.
	배터리를 방전시키십시오.	▶ 배터리를 교체하고 방전된 배터리를 충전하십시오.
	기능 선택 스위치가 고정되지 않았거나 "치출링" 위치 또는 "치출 각도 조정" 위치 에 있지 않음.	▶ 기능 선택 스위치를 "함마링 컷아웃" 또는 "함마드릴링" 위치에 두십시오.
로타리 함마 드릴이 자동으로 꺼지지 않음.	과부하 방지 기능 작동됨.	▶ 컨트롤 스위치에서 손을 떼십시오. 로타리 함마 드릴을 냉각시키십시오. 컨트롤 스위치를 조작하십시오. 기기 부하를 줄이십시오.
배터리가 평소보다 빨리 방전됨.	주변 온도가 너무 낮음.	▶ 배터리를 서서히 실내 온도로 가열하십시오.
배터리를 밀어 넣을 때 "이중으로 찰칵하는 소리"가 들리지 않음.	배터리 래치 오염됨.	▶ 배터리 래치를 청소하고 배터리를 다시 끼우십시오.
로타리 함마 드릴 또는 배터리에서 과도한 열 발생.	전기적 결함	▶ 로타리 함마 드릴의 전원을 끄십시오. 배터리를 제거한 후 배터리를 관찰하십시오. 배터리를 냉각시키십시오. Hilti 서비스센터에 문의하십시오.
	로타리 함마 드릴 과부하.	▶ 고성능 기기를 선택하십시오.
드릴 비트가 잠금상태에서 풀리지 않음.	척 아답타를 완전히 뒤로 당기지 않았음	▶ 공구 잠금장치를 스톱 위치까지 뒤로 당겨 공구를 빼내십시오.
드릴 비트 작업이 진행되지 않음.	로타리 함마 드릴을 역회전 위치로 전환하십시오.	▶ 정회전/역회전 스위치를 "정회전" 위치로 전환하십시오.
	"함마링 컷아웃"에 놓인 기능 선택 스위치	▶ 기능 선택 스위치를 "함마드릴링" 위치에 두십시오

10 액세서리 선택사양

10.1 먼지 제거 링 DCD

먼지 제거 링 DCD는 **Hilti** 로터리 함마 드릴의 액세서리로 사용됩니다. 이 먼지 제거 링은 오버헤드 작업 시 발생하는 대량의 먼지를 수집하며, 로타리 함마 드릴에 신속하고 간편하게 고정할 수 있습니다.

10.2 먼지제거기 TE DRS-6-A / TE DRS-6-A OSHA

먼지제거기 TE DRS-6-A는 **Hilti** 로타리 함마 드릴 TE 6-A22을 위한 액세서리로 사용됩니다. 이 먼지제거기는 발생하는 대량의 먼지를 수집하며, 로타리 함마 드릴에 신속하고 간편하게 고정할 수 있습니다. 먼지제거기에



는 흡입 뱀이 내장되어 있습니다. 이 흡입 뱀은 자체 모터로 구동됩니다. 먼지제거기는 로터리 함마 드릴의 전원을 켤 때 로터리 함마 드릴 배터리로부터 전원을 공급받습니다.
 먼지제거기는 금속 및 목재에서의 작업에는 적합하지 않습니다.

조건: TE DRS-6-A OSHA

TE DRS-6-A OSHA는 가이드라인 OSHA 1926.1153 Table 1 내용을 준수합니다. 본 기기는 필터 정화 메커니즘이 장착되어 있습니다.

10.2.1 먼지제거기 장착 **12**

i 장착하기 전에 로터리 함마 드릴과 먼지제거기의 고정점 및 전기 인터페이스에 먼지가 없고 움직임이 가버운지 확인하십시오.

1. 먼지제거기 손상 여부를 점검하십시오.
2. 텔레스코프의 움직임을 점검하십시오.
3. 로터리 함마 드릴의 정회전/역회전 스위치를 중간 위치로 옮기십시오.
4. 깊이 게이지를 측면 손잡이에서 분리하십시오.
5. 먼지제거기가 고정될 때까지 앞쪽에서 먼지제거기 쪽으로 미십시오.
6. 설치 후 먼지제거기가 제대로 고정되었는지 점검하십시오.

10.2.2 먼지제거기를 이용한 드릴 작업.

1. 먼지제거기 작동을 시작하려면 로터리 함마 드릴의 제어 버튼을 누르십시오.
2. 최대 흡입 출력에 도달할 때까지 제어 버튼을 누르고 계십시오.
3. 흡입 헤드를 모재에 수직으로 세우십시오.
4. 천공구멍에 드릴 작업을 하고 천공구멍에서 천천히 제품을 빼내어 최대한 많은 먼지가 수거되도록 하십시오.

10.2.3 먼지 박스 비우기 **13**

i 먼지 박스가 가득 찼거나 혹은 필터가 막히면 먼지 발생이 과도해질 수 있으므로 정기적으로 비워주십시오.

8-10개의 천공구멍(16 mm x 50 mm) (5/8 in x 2 in) 작업 후 먼지 박스를 비워주십시오.
 먼지 발생을 최소화하려면, 먼지를 밀려된 용기에 보관하십시오.

1. 기기를 수평으로 유지하고 잠시 작동시키십시오.
 - ▶ 이를 통해 먼지제거기에 쌓인 남아있는 먼지가 먼지 박스에 흡입됩니다.
2. 먼지 박스의 잠금 해제 버튼을 계속 누르고 계십시오.
3. 먼지제거기에서 먼지 박스를 아래쪽으로 빼내십시오.
4. 먼지 박스를 비우십시오.
 - ▶ 필터가 오염됨.
 - ▶ 필터를 교체하십시오.
 - ▶ 필터에 오염 물질이 없음.
5. 비어 있는 먼지 박스가 먼지제거기에 맞물려 고정될 때까지 아래쪽에서 먼지제거기쪽으로 미십시오.

10.2.4 TE-DRS-OSHA 필터 정화 **14**

i 5개 천공구멍(16 mm x 50 mm) (1/2 in x 3 in) 작업 후 필터를 정화하십시오.

- ▶ 흡입 출력이 떨어지면, 찰칵 소리가 날 때까지 정화 메커니즘을 앞뒤로 각각 5번 누르십시오.

10.2.5 먼지제거기 분리 **15**

1. 로터리 함마 드릴의 정회전/역회전 스위치를 중간 위치로 옮기십시오.
2. DRS 잠금해제 버튼을 계속 누르고 계십시오.
3. 기기에서 먼지제거기를 앞쪽으로 빼내십시오.



경고

부적절한 폐기로 인한 부상 위험! 새어나오는 가스 또는 용액으로 인한 건강상의 위험.

- ▶ 손상된 배터리는 전달하지 마십시오!
- ▶ 비전도성 소재로 연결 단자를 막아 두어 단락이 발생하지 않게 하십시오.
- ▶ 배터리가 어린이의 손에 닿지 않도록 폐기하십시오.
- ▶ Hilti Store에서 배터리를 폐기하거나 또는 담당 폐기물 처리 업체에 문의하십시오.

Hilti 제품은 대부분 재사용이 가능한 소재로 제작되었습니다. 재활용을 위해 개별 부품을 분리하여 주십시오. Hilti는 대부분의 국가에서 재활용을 위해 노후기기를 수거해 갑니다. Hilti 고객 서비스 센터 또는 판매 담당자에게 문의하십시오.



- ▶ 전통 공구, 전자식 기기 및 배터리를 일반 가정 쓰레기로 폐기하지 마십시오!

12 RoHS (유해물질 사용 제한 지침)

아래 링크에서 유해물질에 관한 도표를 확인할 수 있습니다. qr.hilti.com/r4695.

RoHS 도표로 이어지는 링크는 본 문서 끝에 QR 코드 형식으로 제시되어 있습니다.

13 제조회사 보증

- ▶ 보증 조건에 관한 질문사항은 현지 Hilti 파트너사에 문의하십시오.

原始操作說明

1 關於操作說明的資訊

1.1 關於此文件

- 初次使用前，請詳讀本操作說明。這是安全作業和使用無虞的先決條件。
- 請遵守本操作說明中與產品上的安全說明和警告。
- 操作說明應與產品一起保管，產品交予他人時務必連同本操作說明一併轉交。

僅適用於台灣

進口商: 喜利得股份有限公司

地址: 新北市板橋區

新站路16號24樓22041

電話: 0800-221-036

1.2 已使用的符號解釋

1.2.1 警告

警告您在操作或使用本產品時可能發生之危險。採用了以下標示文字：

危險

危險！

- ▶ 此標語警示會發生對人造成嚴重傷害甚至致死的危險情形。

警告

警告！

- ▶ 此標語警示會造成嚴重傷害甚至致死危險的潛在威脅。

注意

注意！

- ▶ 請小心會造成人員受傷或對設備及其他財產造成損害的潛在危險情況。



1.2.2 操作說明中的符號

本操作說明中採用以下符號：

	請遵照操作說明
	使用說明與其他資訊
	處理可回收的材料
	不可將電子設備與電池當作家庭廢棄物處置
	Hilti 鋰電池
	Hilti 充電器

1.2.3 圖解中的符號

圖解中採用了以下符號：

	號碼對應操作說明的開始處的圖解。
	圖解中的編號表示重要的工作步驟或對工作步驟重要的元件。在文字中，這些工作步驟或元件以對應的數字明顯顯示，例如(3)。
	概覽圖解中使用位置編號，方便您對應到產品概覽段落中的圖例編號。
	本符號是為了讓您在操作本產品時可以注意某些重點。

1.3 產品專屬符號

1.3.1 符號

產品上會採用下列符號：

	鑽孔時無鎚擊動作
	以鎚擊動作進行鑽孔（鎚擊鑽孔）
	鑿孔
	鑿子定位
	正轉 / 逆轉
	無負載下的額定速率
	直流電 (DC)
	鋰電池
	使用Hilti鋰電池類型系列。請遵守用途一節所提供之資訊。
	請勿將電池使用作為敲擊工具。
	避免電池掉落。不得使用遭受衝擊或其他原因遭成損壞的電池。
	機具支援近距離無線通訊 (NFC) 技術，其相容於iOS及Android平台。

1.4 產品資訊

產品是針對專業使用者設計，故僅經訓練、認可的人員可操作、維修與維護本產品。必須告知上述人員關於可能遭遇到的特殊危險。若因未經訓練人員操作錯誤或未依照其原本的用途操作，則本產品和它的輔助工具設備有可能會發生危險。



類型名稱和序號都標示於額定銘牌上。

- ▶ 在下方表格中填入序號。與Hilti維修中心或當地Hilti機關聯絡查詢產品相關事宜時，我們需要您提供產品詳細資訊。

產品資訊

旋轉鎚	TE 6-A22
產品代別	04
序號	

1.5 符合聲明

基於我們唯一的責任，本公司在此聲明本產品符合適用的指示或標準。本文件結尾處有符合聲明之副本。技術文件已歸檔：

Hilti Entwicklungsgesellschaft mbH | Tool Certification | Hiltistrasse 6 | 86916 Kaufering, Germany

2 安全性

2.1 一般電動機具安全警告

⚠ 警告 請詳閱本電動機具提供的所有安全警告、指示、圖解和說明。未能遵守以下所有指示可能會造成電擊事故、火災和 / 或嚴重的傷害。

妥善保存所有警示及說明，以供將來參考。

注意事項中的「機具」係指使用電源（有線）或電池（無線）的電動機具。

工作區域安全

- ▶ 請保持工作區的清潔與採光充足。雜亂而昏暗的工作區會導致意外發生。
- ▶ 勿在容易發生爆炸的環境中使用機具，例如有可燃性液體、瓦斯或粉塵存在的環境。機具產生的火花可能會引燃塵埃或煙霧。
- ▶ 操作機具時，請與兒童及旁人保持距離。注意力不集中時容易發生失控的情形。

電力安全

- ▶ 機具插頭與插座須能互相搭配。勿以任何方式改裝插頭。勿將任何變壓器插頭和與地面接觸（接地）的電動機具搭配使用。未經改裝的插頭以及能互相搭配的插座可減少發生電擊的危險。
- ▶ 避免讓身體接觸到如管線、散熱器、爐灶與冰箱等與土地或地表接觸之物品。如果您的身體接觸到地表或地面，將增加電擊的危險。
- ▶ 請勿將機具暴露在下雨或潮濕的環境中。若水氣進入機具中將增加觸電的危險。
- ▶ 勿濫用電纜線。勿以電纜線吊掛、拖拉機具或拔下機具插頭。電纜線應避開熱氣、油、銳利的邊緣或移動性零件。電纜線損壞或纏繞會增加發生電擊事故的危險。
- ▶ 於室外操作機具時，須使用適用於戶外的延長線。使用適合戶外使用的延長線可降低觸電的風險。
- ▶ 如果無法避免在潮濕的地點操作機具，請使用漏電斷路器（RCD）保護電源供應器。使用漏電斷路器（RCD）可降低電擊的風險。

人員安全

- ▶ 操作機具時，請提高警覺，注意進行中的工作並善用常識。感到疲勞或受到藥物、酒精或治療的影響時勿使用機具。操作機具時稍不留神就可能造成嚴重的人員傷亡。
- ▶ 穿戴個人防護裝備。請隨時穿戴眼罩。適當使用防塵面罩、防滑鞋、安全帽及耳罩等安全防護配備可減少人員的傷害。
- ▶ 避免不經意的啟動。在接上電源或電池組、抬起或攜帶機具之前，務必確認開關處於關閉的位置。攜帶機具時，如果把手指放在開關上，或在開關開啟時，將機具插上插頭容易發生意外。
- ▶ 啟動機具前，應將所有調整鑰匙或扳手移開。將扳手或鑰匙留在機具的旋轉零件中可能會造成人員傷害。
- ▶ 勿將手伸出過遠。隨時站穩並維持平衡。這可讓您在意外情況發生時，對機具有較好的控制。
- ▶ 穿著適當服裝。請勿穿著寬鬆的衣服或佩戴珠寶。頭髮、衣服與手應遠離移動性零件。移動性零件可能會夾到寬鬆的衣服、珠寶或長髮。
- ▶ 如果機具可連接吸塵裝置與集塵設備，請連接並適當使用這些設備。使用集塵裝置可降低與粉塵有關的危險。
- ▶ 請勿因頻繁而習慣使用機具便疏於遵守或忽略機具的安全規範。草率使用可能在轉眼間便造成嚴重的傷害。

機具使用與保養

- ▶ 不可強制使用機具。依據用途使用正確的機具。根據設計的速率使用機具可更快速安全地完成工作。
- ▶ 若開關無法啟動或關閉電動工具時，請勿使用電動工具。任何無法以開關控制的機具都很危險且需要維修。



- ▶ 在進行任何調整、更換配件、或貯放電動機具前，請先將插頭拔離插座和 / 或將電池組自電動機具卸下（如可拆卸）。此預防安全措施可降低機具意外啟動的風險。
- ▶ 將閒置的機具貯放在兒童拿不到的地方，勿讓不熟悉或未詳閱本說明的人員操作本機具。機具在未經訓練的使用者手中是很危險的。
- ▶ 維護機具與配件。請檢查移動性零件有無偏移或黏合的情形、零件有無破損，以及任何會影響機具運轉的狀況。如果機具受損，請先維修後再使用。很多意外便是由維護不當的機具造成的。
- ▶ 保持切割機具的銳利與清潔。具銳利切割邊緣的切割機具如果得到適當的維護，便較不會發生黏合的現象，且較容易控制。
- ▶ 遵守本指示說明使用機具、配件和工具組等，並考量工作條件與待進行的工作。將機具用在原目的之外用途可能會造成危險。
- ▶ 保持握把與其表面的乾燥、清潔且不要讓上面出現油漬。握把及其表面濕滑會在意外情況中造成機具無法安全掌控。

電池機具的使用與保養

- ▶ 務必使用原廠指定的充電器進行充電。將適合特定類型電池的充電器使用在其他電池時，會有造成火災的危險。
- ▶ 務必使用機具特別指定的電池匣。使用其他的電池匣可能會造成受傷或火災。
- ▶ 電池匣未使用時，請將其遠離如迴紋針、錢幣、鑰匙、針、固定釘或其他會在電池兩極間形成連結的小型金屬物件。在電池兩極間建立短路可能會造成灼傷或火災。
- ▶ 若使用不當，可能會有液體由電池流出；請避免接觸該液體。若不慎接觸，請以清水沖洗。如果不小心讓液體接觸到眼睛，請立即尋求醫療援助。從電池中滲出的液體，可能會導致過敏或灼傷。
- ▶ 請勿使用損壞或改裝過的電池組或機具。受損或改裝過的電池可能會無法正常運作而造成起火、爆炸或受傷的風險。
- ▶ 請勿將電池組或機具暴露在火源或極端的溫度環境中。暴露在火源或溫度超過130°C (265°F) 的環境下可能會造成爆炸。
- ▶ 請遵守充電操作說明且不要在說明所載的溫度範圍之外為電池組或機具充電。不當充電或在指定溫度範圍外充電均可能造成電池損壞並提高起火的風險。

維修服務

- ▶ 請將機具交給合格的維修人員進行維修，並使用相同的替代零件。這可確保維護機具安全。
- ▶ 請勿自行維修損壞的電池。損壞的電池僅可由製造商或授權的維修商進行維修。

2.2 電錘的安全注意事項

各種工作的安全操作說明

- ▶ 請配戴耳罩。暴露於噪音環境下會導致聽力受損。
- ▶ 請使用機具輔助握把。機具失控可能會導致人員受傷。
- ▶ 在執行配件工具可能會接觸到隱藏線路之工作時，請以握住絕緣握把的方式手持機具。若配件工具與帶電線路接觸，機具的金屬零件也會通電，而造成觸電的情況。

使用長鑽頭的安全操作說明

- ▶ 請務必讓鑽頭在接觸工件的狀態下以低速開始鑽孔。在未與工件接觸的情況下，若鑽頭以高於其最大允許轉速的速度旋轉，可能會發生輕微的曲度，這可能會導致人員受傷。
- ▶ 請勿對鑽頭施加過大的壓力，僅能沿著鑽頭的縱向軸施加壓力。鑽頭可能會彎曲並隨後破裂或導致失控，進而造成人員傷害。

2.3 旋轉鎚的其他安全說明

人員安全

- ▶ 僅在本產品和配件能正常運轉時使用。
- ▶ 勿嘗試以任何方式改裝產品或配件。
- ▶ 請使用本產品隨附的輔助握把。機具失控可能會導致人員受傷。
- ▶ 若工作包含鑿穿作業，請於工件另一面一併採取適當的防護措施。鑿穿的碎片會掉落和 / 或造成他人受傷。
- ▶ 以雙手握持機具本身握把。請保持機具握把清潔和乾燥。
- ▶ 在執行配件工具可能會接觸到隱藏線路之工作時，請以握住絕緣握把的方式手持本產品。若配件工具與帶電線路接觸，機具的金屬零件也會通電，而造成觸電的情況。
- ▶ 不可碰觸旋轉中零件 - 有受傷的危險！
- ▶ 使用本產品時請配戴護目鏡、安全帽、耳罩和合適的防護面罩。
- ▶ 更換配件工具時，請穿戴防護手套。觸摸配件工具會造成割傷或灼傷。
- ▶ 穿戴護目鏡。飛散的碎片會傷到人體或眼睛。



- ▶ 研磨、切割和鑽孔時產生的粉塵可能含有危險的化學物質。例如：鉛或以鉛為基底的顏料；磚塊、混凝土和其他建材產品、天然石材和其他含矽酸鹽的產品；橡木、山毛櫸等特定木材以及化學處理的木材；石棉或含有石棉的物質。根據操作員工作時接觸的物質危險等級來決定操作員和其他人員暴露在該環境的程度。採取必要的措施，以將暴露相關條件維持在安全等級上，例如：使用吸塵系統或配戴合適的防護面罩。降低在該環境下的暴露程度的一般措施包括：
 - ▶ 工作區域保持良好通風
 - ▶ 避免長時間接觸粉塵
 - ▶ 清除臉部和身體上的粉塵
 - ▶ 穿著防護衣，用水和肥皂清洗裸露在外的身體部位
- ▶ 請經常休息，並活動您的手指以促進血液循環。長時間暴露在劇烈震動下會造成手指、手掌和手腕的血管或神經系統失調。

電力安全

- ▶ 開始工作前，請先檢查工作區域是否有隱藏的電纜線、瓦斯管或水管。電線、天然氣管線或水管若損壞，本產品外側上的金屬零件可能導致觸電或爆炸。

小心處理與使用電子機具

- ▶ 若配件工具卡住或空轉，請關閉本產品。本產品可能會無法控制並偏向一側。
- ▶ 請等候本產品完全靜止再將其放下。

2.4 除塵設備組的安全說明

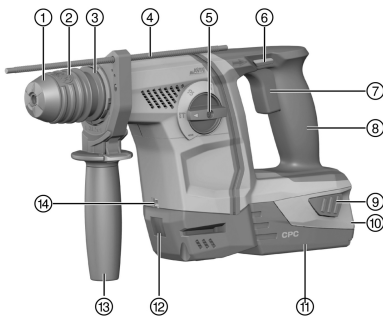
- ▶ 請遵守此文件和裝置上的安全說明。
- ▶ 鑽孔與維護工具或配件時，請使用呼吸保護器以保護臉部與呼吸道不受多餘粉塵的影響。
- ▶ 安裝除塵設備組時，也必須使用Hilti旋轉鏈鑽上的側向握把。

2.5 小心處理和使用電池

- ▶ 遵守適用於鋰電池之運送、存放與使用的特別指南。
- ▶ 請勿讓電池暴露在高溫下、讓陽光直接照射或接觸火焰。
- ▶ 請勿拆解、擠壓或焚燒電池，且不可將電池置放在溫度超過80°C (176°F) 的環境中。
- ▶ 請勿使用或充電受到機構性衝擊、從高處摔落或有損壞跡象之電池。在此情況下，務必聯絡Hilti維修中心。
- ▶ 若電池溫度過高無法觸摸，表示電池可能已經毀損。將電池放在清楚可見且沒有火災危險、遠離易燃材料的位置。讓電池冷卻。若一小時後電池溫度仍然過高無法觸摸，表示電池可能已經毀損。聯絡Hilti維修中心。

3 說明

3.1 產品總覽



- ① 防塵罩
- ② 夾頭
- ③ 彈圈夾具解鎖裝置
- ④ 深度計
- ⑤ 功能選擇開關
- ⑥ 帶有安全鎖的正轉 / 逆轉選擇開關
- ⑦ 控制開關
- ⑧ 握把
- ⑨ 電池拆卸鈕
- ⑩ 充電狀態和故障顯示幕 (鋰電池)
- ⑪ 電池
- ⑫ TE DRS-6-A(02)除塵設備組連接頭
- ⑬ 側向握把
- ⑭ 工作場所照明燈

3.2 用途

本產品為充電電池旋轉鏈鑽。適用於鋼板、木材、石材的鑽孔和混凝土與石材的鏈擊鑽孔，以及裝卸螺絲。亦可於石材上進行輕鑿孔及於混凝土上進行表面拋光作業。



- ▶ 本產品限使用B 22系列Hilti鋰電池。
- ▶ 本產品限使用B22系列Hilti鋰電池。

3.3 鋰電池電量顯示

鋰電池上的顯示幕會表示鋰電池的充電狀態和機具的功能故障。按下兩個電池拆卸鈕的其中一個後，將會顯示鋰電池的充電狀態。

狀態	意義
4個LED亮起。	充電狀態：75 %至100 %
3個LED亮起。	充電狀態：50 %至75 %
2個LED亮起。	充電狀態：25 %至50 %
1個LED亮起。	充電狀態：10 %至25 %
1個LED閃爍。	充電狀態：< 10 %



按下控制開關然後放開控制開關超過5秒後，將無法顯示電池充電狀態。若電池充電狀態LED燈閃爍，請遵守「故障排除」章節所提供的指示。

3.4 配備及數量

旋轉鏈、側向握把、深度計、操作說明。

關於本產品，您可於當地www.hilti.group或網站查詢其他經過認證可搭配使用的系統產品：**Hilti Store**

4 技術資料

4.1 旋轉鏈

	TE 6-A22
額定電壓	21.6 V
重量 (依據EPTA Procedure 01) , 含B228.0電池	3.8 kg
無負載下額定轉速	1,050 rpm
混凝土 / 石材鑽孔直徑範圍 (鏈擊鑽孔)	4 mm ... 28 mm
木材鑽孔直徑範圍 (實心)	3 mm ... 20 mm
金屬鑽孔直徑範圍 (實心鑽頭)	3 mm ... 13 mm

4.2 噪音資訊和震動值 (依據EN 62841)

操作說明中所提供之音壓和震動值已參照標準測量，並可用來比較不同機具之噪音。它們也可作為噪音量的初步評估。

提供之資料表示機具主要應用時之數值。若機具應用於不同之用途，搭配不同的配件工具或在保養不良的情況下，其數據會有所不同。在作業過程中，這會大幅提高其噪音量。

當電子機具關閉，或開啟但未進行任何作業時也應列入考量，才能準確評估噪音量。在作業過程中，這會大幅降低其噪音量。

確認其他安全措施，以保護操作員不受噪音和 / 或震動影響，例如：保養機具與其配件工具、操作前保持雙手溫暖、作業型式之安排等。

噪音資訊

聲功率級數 (L_{WA})	100 dB(A)
釋放的音壓級數 (L_{pA})	89 dB(A)
無法判定 (聲音值) (K_{pA} 和 K_{WA})	3 dB(A)

總振動值

		TE 6-A22
混凝土鏈擊鑽孔 ($a_{h, HD}$)	B 22/2.6 Li-Ion (02)	19.9 m/s ²
	B 22/8.0 Li-Ion	17.1 m/s ²
混凝土鏈擊鑽孔的不確定值	B 22/2.6 Li-Ion (02)	2.1 m/s ²
	B 22/8.0 Li-Ion	1.5 m/s ²



		TE 6-A22
鑿孔 ($a_{h, CH_{tot}}$)	B 22/2.6 Li-Ion (02)	10.9 m/s ²
	B 22/8.0 Li-Ion	12.1 m/s ²
鑿孔的不確定值	B 22/2.6 Li-Ion (02)	1.5 m/s ²
	B 22/8.0 Li-Ion	1.5 m/s ²

4.3 電池

電池操作電壓	21.6 V
操作時的環境溫度	-17 °C ... 60 °C
貯放溫度	-20 °C ... 40 °C
電池充電啟動溫度	-10 °C ... 45 °C

5 操作

5.1 工作場所的準備工作

警告

有受傷的風險！因意外啟動

- ▶ 置入電池前，請確認產品已關閉。
- ▶ 在調整機具或變更配件前請先將電池拆下。

請遵守本文件中與產品上的安全說明和警告。

5.2 置入電池

注意

有受傷的危險！意外啟動旋轉鏈鑽。

- ▶ 裝上電池前，請先檢查旋轉鏈鑽是否已關閉，以及正轉 / 逆轉開關是否位於中間位置（安全鎖是否啟動）。

1. 將電池裝入電池托盤，直到聽見咬合時發出的喀啦聲。
2. 請檢查電池是否安裝牢固。

5.3 卸下電池

1. 按下電池上的兩顆拆卸鈕。
2. 將電池向後方取出。

5.4 安裝側向握把

注意

有受傷的危險！本產品失控。

- ▶ 檢查側向握把是否正確安裝且緊固。檢查夾緊帶是否與本產品的溝槽咬合。

1. 旋轉握把以鬆開側向握把夾緊帶。
2. 從前方將深度計推入兩個定位引導孔內。
3. 旋轉握把以鎖緊側向握把夾緊帶。

5.5 安裝與調整深度計

- ▶ 檢查深度計，如有必要則予以調整。



5.6 安裝 / 卸下夾頭

注意

有受傷的危險！深度計（若有安裝但未使用）可能會阻礙操作。

- ▶ 請將深度計自充機具卸下。

- ▶ 安裝 / 卸下夾頭。

5.7 安裝機具

1. 在配件工具的連接頭稍微上點潤滑劑。
 - ▶ 務必使用原廠Hilti潤滑劑。使用錯誤的油脂會造成機具損壞。
2. 盡可能將配件推入夾具內，直到咬合為止。
3. 裝上配件工具後，請將其抓住並拉動以確認是否已咬合至定位。
 - ▶ 產品已可以使用。


5.8 卸下配件

- ▶ 將夾頭拉回直到移除配件工具為止。

5.9 高處作業

- ▶ 安裝DCD粉塵防治環，供高處作業使用。

5.10 鑿子定位

- ▶ 將功能選擇開關設定至位置。

6 工作類型

注意

操作錯誤會有導致 損壞的危險！

- ▶ 操作時，請勿使用旋轉方向和 / 或功能選擇開關。

請遵守本文中與產品上的安全說明和警告。

6.1 功能選擇開關

- ▶ 將功能選擇開關設定至所需的工作位置。
 - ▶ 馬達運轉時，請勿操作功能選擇開關。有損壞的危險！


6.2 正轉 / 逆轉

- ▶ 將正轉 / 逆轉開關設定至需要的旋轉方向。


6.3 鑽孔時無鎚擊動作

- ▶ 將功能選擇開關設定至位置。

6.4 鑽孔時含鎚擊動作

- ▶ 將功能選擇開關設定至位置。

6.5 鑿孔

- ▶ 將功能選擇開關設定至位置。
 - ▶ 為加強馬達的散熱，請選擇正轉方向，例如順時針方向（鑽孔時的旋轉方向）。



7 維護和保養

7.1 維護及保養

警告

電池裝入時有受傷的危險！

- ▶ 進行維護及保養前，請務必卸下電池！

產品保養

- 小心地清除頑強的髒污。
- 若有，請使用乾燥的軟刷子小心地清潔通風口。
- 僅可使用微濕的軟布清潔機殼。請勿使用含矽膠的清潔或亮光劑，因為可能會造成塑膠零件損壞。
- 請使用乾淨的乾布清潔產品的接點。

鋰電池的保養

- 通風口堵塞時請勿使用電池。請使用乾燥的軟刷子小心地清潔通風口。
- 請避免電池暴露在粉塵或髒污的環境之中。請勿讓電池接觸過高的濕氣（例如：浸入水中或淋雨）。電池若濕透，請將該電池視為已受損。請將電池隔絕在不可燃的容器內，並洽詢Hilti維修中心。
- 避免電池沾上油脂。避免讓電池上積聚粉塵或髒污。請使用乾燥的軟刷或乾淨的乾布清潔電池。請勿使用含矽膠的清潔或亮光劑，因為可能會造成塑膠零件損壞。
請勿觸摸電池的觸點或從觸點上去除廠塗敷的油脂
- 僅可使用微濕的軟布清潔機殼。請勿使用含矽膠的清潔或亮光劑，因為可能會造成塑膠零件損壞。

維護

- 定期檢查外部零件和控制元件有無損壞跡象，並確認它們運作正常。
- 如果有損壞跡象及/或任何零件功能故障，請不要運行本產品。請將產品交付Hilti維修中心進行維修。
- 維護及修復作業後，裝上所有保護裝置並檢查功能是否正常。



為確保運作的安全及可靠性，請務必使用原廠Hilti備件與耗材。您可以在Hilti Store或在以下網站選購Hilti認可的備用零件、耗材和配件：www.hilti.group

7.2 清潔防塵套

- ▶ 定期使用乾燥而清潔的布清潔夾頭上的防塵套。
- ▶ 請小心擦拭清潔其密封口，然後再稍微上Hilti潤滑油。
- ▶ 請特別注意，若密封口受到損壞，一定要更換防塵套。

8 搬運和貯放

8.1 充電式機具和電池的運輸與存放

搬運

注意

搬運時意外啟動！

- ▶ 搬運產品時務必卸下電池！
- ▶ 取出電池。
- ▶ 切勿散裝運輸電池。運送過程中，應保護電池避免衝擊與震動並與導電物質或其他電池隔離，以免因與電池端子接觸而造成短路。請遵守您所在地當地的電池運輸規範。
- ▶ 請勿以郵寄方式遞送電池。若要運送未損壞之電池，請洽詢運送服務商。
- ▶ 每次使用前以及長途運輸前後請檢查本產品和電池是否受損。

設備的貯放

警告

瑕疵或漏液的電池所造成的意外損害！

- ▶ 存放產品時，一律不可插入電池！
- ▶ 請將本產品和電池存放在陰涼及乾燥處。請遵守技術性數據中所規定的溫度極限值。
- ▶ 請勿將電池貯放在充電器中。完成充電程序後，請將電池從充電器取出。
- ▶ 請勿將電池存放在有日光直射處、熱源上或玻璃後方。
- ▶ 請將本產品和電池存放在兒童或未授權人員無法觸及的地點。



- ▶ 每次使用前以及長時間存放前後請檢查本產品和電池是否受損。

9 故障排除

若您遇到未列出的問題或是無法自行排除的問題，請聯絡Hilti維修中心。

9.1 旋轉鎚不能正常運作

故障	可能原因	解決方法
電池上的LED未亮起。	電池沒有完全置入。	▶ 壓下電池直到聽見咬合時發出的兩聲喀啦聲。
	電池已放電。	▶ 更換電池，並對無電量的電池再次充電。
	該電池過熱或過冷。	▶ 將電池放在室溫下緩慢降溫或升溫。
電池上的1個LED閃爍。	電池已放電。	▶ 更換電池，並對無電量的電池再次充電。
	該電池過熱或過冷。	▶ 將電池放在室溫下緩慢降溫或升溫。
電池上的4個LED閃爍。	旋轉鎚已暫時過載。	▶ 鬆開控制開關，接著再按一次。

9.2 旋轉鎚能正常運作

故障	可能原因	解決方法
無鎚擊動作。	旋轉鎚溫度太低。	▶ 讓鑽頭尖端與工作面接觸，開啟旋轉鎚使之旋轉。如果需要，請重複此程序直到鎚擊機制開始運作。
	將功能選擇開關設定至「無鎚擊鑽孔」	▶ 將功能選擇開關設定至「鎚擊鑽孔」
控制開關無法按下，意即開關鎖住。	正轉 / 逆轉開關位於中間位置。	▶ 將正轉 / 逆轉開關推向右邊或左邊。
起子軸未旋轉。	已超過旋轉鎚容許之操作溫度。	▶ 讓機具冷卻。
	電池已放電。	▶ 更換電池，並對無電量的電池再次充電。
	功能選擇開關未設定在正確的位置，或是已設定在「鑿孔」 或「鑿孔調整」 位置。	▶ 將功能選擇開關設定至「無鎚擊鑽孔」 或「鎚擊鑽孔」
旋轉鎚自動關閉。	過載斷電保護系統已啟動。	▶ 鬆開控制開關。讓旋轉鎚冷卻。再次按下控制開關。減少機具上的負載。
本電池較一般電池壽命短。	周遭環境溫度極低。	▶ 將電池放在室溫下緩慢升溫。
電池咬合時沒有發出兩聲「喀啦」聲。	電池上的卡榫太髒。	▶ 清潔卡榫並重新安裝電池。
旋轉鎚或電池溫度極高。	電力故障。	▶ 立刻關閉旋轉鎚。請取下電池並置於可隨時觀察的位置。待其冷卻後。聯絡Hilti維修中心。
	旋轉鎚已過載。	▶ 使用動力更強的機具。
彈圈夾具無法鬆開。	夾頭未完全拉回。	▶ 將夾頭拉回直到移除機具為止。
機具無法繼續作業。	旋轉鎚已設定成逆轉。	▶ 將正轉 / 逆轉選擇開關移至「正轉」位置。
	將功能選擇開關設定至「無鎚擊鑽孔」	▶ 將功能選擇開關設定至「鎚擊鑽孔」



10.1 DCD粉塵防治環

DCD粉塵防治環為Hilti旋轉鏈鑽的配件。它可快速收集大部分高處作業產生的粉塵，而且能迅速並簡易地安裝至旋轉鏈鑽。

10.2 TE DRS-6-A / TE DRS-6-A OSHA除塵設備組


TE DRS-6-A除塵設備組為Hilti TE 6-A22旋轉鏈鑽的配件。除塵設備組可快速收集大部分產生的粉塵，且它能迅速並簡易地安裝至旋轉鏈鑽上。除塵設備組有一內建抽風機。此抽風機由本身的馬達驅動。旋轉鏈鑽啟動時，除塵設備組將由旋轉鏈鑽的電池供電。

除塵設備組並不適用於對金屬或木材所進行的作業。

條件: TE DRS-6-A OSHA

TE DRS-6-A OSHA可滿足OSHA 1926.1153 Table 1之需要。其具備過濾清潔機制。

10.2.1 安裝除塵設備組


 安裝模組前，請檢查並確認旋轉鏈鑽與除塵設備組的連接點及電子介面上無任何粉塵，零件可自由輕鬆地安裝與移動。

1. 確認除塵設備組是否受損。
2. 確認伸縮機制是否可移動自如。
3. 將旋轉鏈鑽的正轉 / 逆轉開關設定至中間位置。
4. 將深度計自側向握把卸下。
5. 將除塵設備組置於導環上方，並由前方推入機具，直到咬合為止。
6. 安裝後，請確認除塵設備組是否固定。

10.2.2 搭配除塵設備組進行鑽孔


1. 按下旋轉鏈鑽上的控制按鈕啟動除塵設備組。
2. 按住控制按鈕直到達到最大吸力為止。
3. 將吸塵頭邊緣平放到工作面上。
4. 鑽孔完成後，將本產品慢慢從鑽好的孔中鬆開，以便盡可能吸到更多粉塵。

10.2.3 清空集塵盒

 請務必定期清潔並清空集塵室，因集塵盒過滿或過濾器阻塞均會造成過量粉塵產生。請在鑽完8-10個孔（16 mm x 50 mm）（5/8 in x 2 in）後清空集塵盒。為將產生的粉塵量降到最低，請小心地將這些粉塵倒入有蓋子密封的容器中。

1. 水平握住機具，並等待其運轉片刻。
 - ▶ 此動作可確保所有殘留在除塵設備組中的粉塵，均能引入集塵盒中。
2. 完全按下並按住集塵盒的拆卸鈕。
3. 將集塵盒往下拉並脫離除塵設備組。
4. 清空集塵盒。
 - ▶ 過濾器堵塞。
 - ▶ 更換過濾器。
 - ▶ 過濾器中無粉塵。
5. 將清空後的集塵盒從下方推回除塵設備組，直到咬合為止。

10.2.4 清潔TE-DRS-OSHA過濾器

 請在鑽完5個孔（16 mm x 50 mm）（1/2 in x 3 in）清潔過濾器。

- ▶ 吸力降低時，請將清潔機制前後滑動5次直到每次滑動均聽到喀噠聲為止。



10.2.5 卸下除塵設備組 15


1. 將旋轉鏈鑽的正轉 / 逆轉開關設定至中間位置。
2. 完全按下並按住DRS拆卸鈕。
3. 將除塵設備組向前拉並脫離機具。

11 廢棄設備處置

警告

不當的廢棄物處理可能導致人員受傷！洩漏出來的氣體或液體有害健康。

- ▶ 請勿以郵寄方式寄送電池。
- ▶ 將電池端子蓋上不導電物質（例如絕緣膠帶）以避免短路。
- ▶ 請將電池棄置於兒童無法觸及的地方。
- ▶ 請將該電池送交Hilti Store處理或洽詢權責的廢棄處理公司。

 Hilti產品所採用的材料大部分均可回收再利用。材料在回收前必須正確地分類。Hilti在許多國家都有提供老舊機具回收服務。請洽詢Hilti客服中心或您在地的經銷商。



- ▶ 不可將電動工具、電動裝置和電池當成一般垃圾丟棄！

12 RoHS (Richtlinie zur Beschränkung der Verwendung gefährlicher Stoffe)

Unter folgendem Link finden Sie die Tabelle gefährlicher Stoffe: qr.hilti.com/r4695.

Einen Link zur RoHS-Tabelle finden Sie am Ende dieser Dokumentation als QR-Code.

13 製造商保固

- ▶ 如果您對於保固條件有任何問題，請聯絡當地Hilti代理商。

Hilti Taiwan Co., Ltd.

24F., No. 16, Xinzhan Rd., Banqiao Dist., New Taipei City 220, Taiwan (R.O.C.)

Tel. 0800-221-036

原版操作说明

1 关于本操作说明的信息

1.1 关于本操作说明

- 首次使用或操作产品前，先阅读本操作说明。这是安全、无故障操作和使用产品的先决条件。
- 请注意本操作说明中以及产品上的安全说明和警告。
- 请务必将本操作说明与本产品保存在一起，确保将操作说明随产品一起交给他人。

1.2 所用标志的说明

1.2.1 警告

警告是为了提醒您在处理或使用此产品时会发生的危险。使用以下信号词：

-危险-

危险！

- ▶ 用于让人们能够注意到会导致严重身体伤害或致命的迫近危险。

-警告-

警告！

- ▶ 用于提醒人们注意可能导致严重或致命伤害的潜在危险。





-小心-

小心！

► 用于提醒人们注意可能造成人身伤害、设备损坏或其他财产损失的潜在危险情况。

1.2.2 操作说明中的符号

本操作说明中使用下列符号：

	遵守操作说明
	使用说明和其他有用信息
	处理可回收材料
	不得将电气设备和电池作为生活垃圾处置
	Hilti 锂离子电池
	Hilti 充电器

1.2.3 图示中的符号

图示中使用了下列符号：

	这些编号指本操作说明开始处的相应图示。
3	图示中的编号表示重要的操作步骤或对操作步骤重要的部件。这些操作步骤或部件在文本中使用相应的编号突出显示，例如 (3)。
	位置编号被用于概览图中并表示产品概览段落中的图例编号。
	这些符号旨在提醒您在操作本产品时要特别注意的某些要点。

1.3 与产品相关的符号

1.3.1 符号

产品使用的符号如下：

	不通过锤击作用钻孔
	通过锤击作用钻孔 (锤击钻孔)
	凿边
	凿子定位
	正向/反向
n_0	无负荷下的额定转速
	直流电 (DC)
Li-Ion	锂离子电池
	使用 Hilti 锂离子电池类型系列。请遵守“预期用途”一章中所述信息。
	切勿将电池用作敲击工具。
	请勿让电池掉落。切勿使用受到撞击或有任何损坏的电池。
	电动工具支持近场通信 (NFC) 技术，兼容于 iOS 和安卓平台。



1.4 产品信息

HILTI 产品设计适用于专业用户，只有经过专门训练的授权人员才允许操作、维修和维护本产品。必须将任何可能的危险专门告知该人员。不按照既定用途使用或由未经培训的人员不正确地使用本产品及其辅助设备可能会带来危险。

型号名称和序列号印在铭牌上。

在下表中填写序列号。在联系 Hilti 维修中心或当地 Hilti 机构询问产品时，将要求您提供产品的详细信息。

产品信息

旋转电锤	TE 6-A22
分代号	04
序列号	

1.5 符合性声明

按照我们单方面的责任，我们声明本产品符合下列适用指令和标准：一致性声明副本位于本文档结尾处。

技术文档在此处归档：

Hilti Entwicklungsgesellschaft mbH | Tool Certification | Hiltistrasse 6 | 86916 Kaufering, Germany

2 安全

2.1 一般电动工具安全警告

警告 请阅读本电动工具随附的所有安全警告、说明、图示和技术规范。不遵守下列所有操作说明可能会导致电击、火灾和/或严重人身伤害。

请保存所有安全警告和操作说明，以供将来参考。

在所有下列的警告中术语“电动工具”指市电驱动(有线)电动工具或电池驱动(无线)电动工具。

工作区域安全

- ▶ 保持工作区域清洁和良好照明。杂乱和黑暗的区域容易导致事故。
- ▶ 不要在爆炸性环境中操作电动工具，例如有易燃液体、气体或灰尘。电动工具会产生可以点燃这些灰尘或烟雾的火花。
- ▶ 在操作电动工具时，要令儿童和旁观者远离工作现场。万一分心，可能会使您失去对电动工具的控制。

电气安全

- ▶ 电动工具(设备)插头必须匹配电源插座。切勿以任何方式改动插头。对于接地的电动工具(设备)，不要使用任何适配器插头。使用未经改动的插头和匹配的电源插座可以大大减少电击危险。
- ▶ 避免人体接触接地表面，如管道、散热片和冰箱。如果您的身体接地，则会增加电击危险。
- ▶ 不要将电动工具暴露在雨水或潮湿环境中。电动工具进水将会增加电击危险。
- ▶ 不要滥用电缆。切勿使用电缆运送、拉动或拔出电动工具。保持电缆远离高温、油、锋利边缘或运动部件。电缆损坏或缠绕会增加电击危险。
- ▶ 当在户外操作电动工具时，应使用经认可适合户外操作的加长电缆。使用适合户外使用的电缆可减少电击危险。
- ▶ 如果在潮湿环境下操作电动工具是不可避免的，应使用剩余电流动作保护器(RCD)。使用 RCD 可减小电击危险。

人身安全

- ▶ 保持警觉，注意您正在进行的工作，并在操作电动工具的过程中，应利用自己的判断能力。当您疲劳或受到药物、酒精或医疗影响时，请不要使用电动工具。当操作电动工具时，瞬间的分心都可能导致严重的人身伤害。
- ▶ 使用个人防护装备。一定要戴上护目装置。安全装置，诸如适当条件下使用防尘面具、防滑安全鞋、安全帽、听力防护等装置能减少人身伤害。
- ▶ 防止电动工具意外启动。在连接至电源和/或电池组、拿起或搬运电动工具之前，应确保开关处于“关闭”位置。将手指放在开关上搬运电动工具或在开关处于“打开”位置时接通电源，都可能会导致事故发生。
- ▶ 在打开电动工具之前，必须拿掉任何调整键或扳手。让扳手或调整键留在电动工具的旋转部件上可能会导致人身伤害。
- ▶ 不要操之过急。应时刻保持正确的站姿和平衡。这在意外情况下能够更好地控制电动工具。
- ▶ 应确保正确着装。不要穿着松垮的衣服或佩戴首饰。让头发和衣服远离运动部件。松垮的衣服、首饰或长发会卡在运动部件中。
- ▶ 如果提供有用于连接除尘和集尘设施的装置，应确保将它们连接好并正确使用。使用除尘装置可以减少与灰尘相关的危险。



- ▶ 经常使用工具能令您获得较高的熟练度，但不能因此掉以轻心和忽视工具安全准则。一次不慎操作就会在瞬间导致重伤。

电动工具的使用和维护

- ▶ 不要强制使用电动工具。针对您的应用场合使用正确的电动工具。正确的电动工具在其额定设计值范围内将能够更好和更安全地工作。
- ▶ 如果通过开关不能使其打开和关闭，则请不要使用电动工具。任何不能通过开关进行控制的电动工具都是危险的，必须对其进行修理。
- ▶ 在进行任何调整、更换配件或存放电动工具之前，应从电源上断开插头和/或从电动工具上拆下电池组（若可拆卸）。此预防性安全措施可减少意外启动电动工具的危险。
- ▶ 将不用的电动工具存放在儿童拿不到的地方，并且不要让不熟悉电动工具或其操作说明的人员操作电动工具。未经培训的用户操作电动工具是危险的。
- ▶ 维护电动工具和配件。检查是否存在运动部件失调或卡滞、部件断裂和任何其它影响电动工具操作的情况。如果存在损坏，则在使用之前应修理电动工具。许多事故都是由于电动工具维护不良造成的。
- ▶ 保持切削工具锋利和清洁。带锋利切削刃的切削工具如果维护得当，很少会发生卡滞且更容易控制。
- ▶ 按照使用说明书，考虑作业条件和进行的作业来使用电动工具、附件和工具的刀头等。将电动工具用于指定用途以外的场合会导致危险。
- ▶ 使手柄和抓握面保持干燥、清洁且没有油脂。如果手柄和抓握面打滑，将无法在意外情况下安全操作或控制本工具。

无绳（电池操作）工具/设备的使用和维护

- ▶ 充电时只能使用制造商指定的充电器。适合某种类型电池组的充电器如果被用于为另一类型电池组充电，则可能会带来火灾危险。
- ▶ 只能使用专用电池组为电动工具供电。使用任何其它电池组可能会带来人身伤害和火灾。
- ▶ 当电池组不用时，应使其远离其它金属物体，例如纸夹、硬币、钥匙、钉子、螺钉或其它小的金属物体，以免造成短路。如果电池端子被短路，则会造成人员烧伤或火灾。
- ▶ 如果持续滥用电池，则可能会造成液体从电池中喷射出来；注意避免接触到液体。如果意外接触到液体，应用水冲洗。如果液体接触眼睛，除了用大量清水冲洗外，还应立即就医。从电池中喷射出来的液体会导致疼痛或灼伤。
- ▶ 不要使用损坏或改装过的电池组或工具。损坏或改装过的电池会造成不可预测的情形，导致火灾、爆炸或受伤风险。
- ▶ 不要将电池组或工具暴露在明火或过高的温度中。暴露在明火或超过 130 °C (265 °F) 温度中可能导致爆炸。
- ▶ 遵守所有充电说明，且不要在使用说明规定的温度范围之外对电池组或工具充电。充电不正确或在规定温度范围之外充电会损坏电池并增加火灾风险。

保养

- ▶ 将你的电动工具送交专业维修人员，使用同样的备件进行修理。这样才能确保维持电动工具（设备）的安全性。
- ▶ 切勿擅自维修损坏的电池组。仅可由制造商或授权服务提供商执行电池组的维修。

2.2 锤子安全说明

适用于所有作业类型的安全说明

- ▶ 戴上护耳装置。如果直接暴露在噪音中，则会导致听力受损。
- ▶ 使用随工具提供的辅助手柄。对工具失去控制可能会导致人身伤害。
- ▶ 如果配套工具的工作区域可能接触到隐藏的线束，只能握住电动工具的绝缘手柄表面进行操作。如果配套工具接触到带电电线，电动工具的金属部件也将带电，从而导致电击。

关于使用长钻头的安全说明

- ▶ 始终以低转速开始钻孔，并使钻头与工件接触。在未与工件接触的情况下，如果钻头的旋转速度超出其最大允许转速，则会导致其轻微弯曲，继而造成伤害事故。
- ▶ 不要向钻头施加过大的压力，仅可在钻头的纵向轴上施加压力。否则钻头会弯曲，继而断裂或导致失控和伤害事故。

2.3 电锤的附加安全说明

人身安全

- ▶ 只有产品和附件处于良好的技术状态时才能使用。
- ▶ 切勿以任何方式擅自改动或改装本产品或附件。
- ▶ 请使用随产品提供的辅助手柄。对工具失去控制可能会导致人身伤害。
- ▶ 当执行需要穿透的作业时，在工件对侧采取适当的安全措施。被钻下的工件部分可能会弹出或掉落并伤害到其他人。



- ▶ 应始终用双手通过提供的手柄稳稳握住产品。保持手柄清洁干燥。
- ▶ 如果配套工具的工作区域可能接触到隐藏的线束，只能握住本产品的绝缘手柄表面进行操作。如果配套工具接触到带电电线，电动工具的金属部件也将带电，从而导致电击。
- ▶ 请勿触摸旋转部件 - 人身伤害危险！
- ▶ 使用该产品时，请佩戴护目镜、安全帽、护耳装置和适当的呼吸防护装置。
- ▶ 在更换配套工具时戴上防护手套。触碰配套工具会导致割伤和烫伤。
- ▶ 请戴上护目装置。飞溅的碎片会导致身体和眼睛受伤。
- ▶ 磨削、抛光、切割和钻孔过程中产生的粉尘可能包含有害化学物质。一些例子包括：铅或铅基涂料；砖、混凝土、其他砖石产品、天然石材和其他含硅酸盐的产品；一些木材，例如橡木、山毛榉和化学处理过的木材；石棉或含石棉的材料。根据所处理材料的危险等级，确定操作员和附近人员的暴露程度。采取必要的措施将暴露保持在安全水平内，例如使用集尘系统或佩戴适当的呼吸防护装置。减少暴露的一般措施包括：
 - ▶ 在通风良好的区域进行操作。
 - ▶ 避免长时间接触粉尘。
 - ▶ 清除脸部和身上的粉尘。
 - ▶ 穿着防护服并用肥皂和水清洗暴露的部位。
- ▶ 适当休息并活动手指，以改善手指的血液循环。工作期间长时间暴露于强烈振动环境中可能导致手指、手掌和手腕部位血管和神经系统紊乱。

电气安全

- ▶ 开始工作前，检查工作区域是否有隐蔽的电缆或天然气和水管。如果电缆、燃气管或水管有损坏，则产品的外部金属部件可能会导致电击或爆炸。

谨慎操作和使用电动工具

- ▶ 如果配套工具卡住，应立即关闭本产品。本产品可能会跑偏并转向一侧。
- ▶ 等待产品完全停止后再将其放下。

2.4 除尘模块安全说明

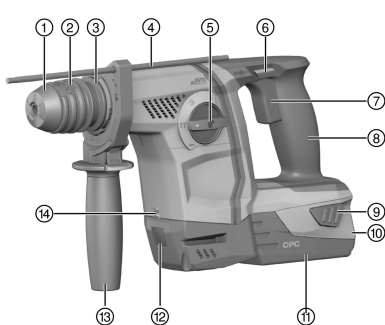
- ▶ 请遵守本文档中以及设备上提供的安全说明。
- ▶ 钻孔时以及对工具或配件进行维修时，请使用呼吸防护用品，使残留粉尘远离面部和呼吸道。
- ▶ 请务必使用 Hilti 旋转电锤上的侧面手柄，即使在安装有除尘模块时也不例外。

2.5 小心处理和使用电池

- ▶ 遵守适用于锂离子电池的运输、存放和使用的专用指南。
- ▶ 不要将电池暴露在高温、直射阳光或明火环境下。
- ▶ 请勿拆开、挤压或烧毁电池，不要让它们暴露在超过 80°C (176°F) 的高温下。
- ▶ 如果电池受到过物理冲击、从高处跌落过或表现出损坏迹象，则不得使用电池或为其充电。在这种情况下，请务必联系您的 Hilti 维修中心。
- ▶ 如果电池发热烫手，则可能有故障。请将电池放在醒目且无火灾风险的地方，并与易燃物品保持足够距离。让电池自行冷却。如果一小时后电池仍然发热烫手，则表示存在故障。联系 Hilti 维修中心。



3.1 产品概述



- ① 防尘罩
- ② 夹头
- ③ 插入工具解锁装置
- ④ 深度计
- ⑤ 功能选择开关
- ⑥ 前进/后退选择开关, 带安全锁
- ⑦ 控制开关
- ⑧ 把手
- ⑨ 电池释放按钮
- ⑩ 充电状态和故障显示 (锂离子电池)
- ⑪ 电池
- ⑫ 用于 TE DRS-6-A(O2) 除尘模块的接头
- ⑬ 侧面手柄
- ⑭ 工作区域照明灯

3.2 预期用途

所述产品为充电式旋转电锤。它设计用于对钢、木材和砖石钻孔, 对混凝土和砖石进行锤击钻孔以及敲入和拔出螺钉。本产品也可用于砖石建筑上的轻负荷凿边作业以及混凝土表面的修整工作。

- ▶ 使用本产品仅限使用 **Hilti B22** 系列锂离子电池。
- ▶ 请仅为本产品使用 B22 系列中的 **Hilti** 锂离子电池。

3.3 锂离子电池状态显示

锂离子电池的充电状态和电动工具的故障由锂离子电池显示屏指示。按下两个电池释放按钮中的一个后, 显示锂离子电池的充电状态。

状态	含义
4 个 LED 亮起。	充电状态 : 75% 至 100%
3 个 LED 亮起。	充电状态 : 50% 至 75%
2 个 LED 亮起。	充电状态 : 25% 至 50%
1 个 LED 亮起。	充电状态 : 10% 至 25%
1 个 LED 闪烁。	充电状态 : < 10%

按下控制开关 5 秒, 松开开关之后, 将不会显示电池的充电状态。如果电池显示屏 LED 闪烁, 请按照“故障排除”章节中提供的说明进行操作。

3.4 供应的部件

旋转电锤、侧面手柄、深度计、操作说明。

经批准可以与本产品搭配使用的其它系统产品, 可以在您当地的 www.hilti.group 购买或访问 **Hilti Store** 在线订购

4 技术数据

4.1 旋转电锤

	TE 6-A22
额定电压	21.6 V
符合 EPTA Procedure 01 要求的重量 (包括 B22/8.0 电池)	3.8 kg
无负荷下的额定转速	1,050 rpm
混凝土/砖石建筑的钻孔直径范围 (锤击钻孔)	4 mm ... 28 mm



	TE 6-A22
在木材 (软质) 中的钻孔直径范围	3 mm ... 20 mm
金属钻孔直径范围 (实心钻头)	3 mm ... 13 mm

4.2 噪音信息和振动值按照 EN 62841 标准

这些说明中给出的声压和振动值按照标准化测试的要求测得，可用于比较一种电动工具与另一种电动工具。它们还可用于初步评价受振动影响的程度。

提供的数据代表本电动工具的主要应用。但是，如果将电动工具用于不同的应用、使用不同的配套工具或维护不良，则数据可能不同。这可能会显著增加操作者在整个工作期间受振动影响的程度。

对受振动影响程度的准确估计还应考虑当关闭电动工具或当它运行但实际未进行工作时情况。这可能会显著减小操作者在整个工作期间受振动影响的程度。

此外，应确定附加安全措施，以保护操作者免受噪音和/或振动影响，例如：正确维护电动工具和配套工具、保持双手温暖、合理安排工作方式。

噪音信息

声 (功率) 级 (L_{WA})	100 dB(A)
排放声压级 (L_{pA})	89 dB(A)
不确定性系数 (噪音值) (K_{pA} 和 K_{WA})	3 dB(A)

总振动值

		TE 6-A22
在混凝土中锤击钻孔 ($a_{h, HD}$)	B 22/2.6 Li-Ion (02)	19.9 m/s ²
	B 22/8.0 Li-Ion	17.1 m/s ²
在混凝土中锤击钻孔时的不确定性系数	B 22/2.6 Li-Ion (02)	2.1 m/s ²
	B 22/8.0 Li-Ion	1.5 m/s ²
凿边 ($a_{h, CHeg}$)	B 22/2.6 Li-Ion (02)	10.9 m/s ²
	B 22/8.0 Li-Ion	12.1 m/s ²
凿边不确定性系数	B 22/2.6 Li-Ion (02)	1.5 m/s ²
	B 22/8.0 Li-Ion	1.5 m/s ²

4.3 电池

电池工作电压	21.6 V
工作环境温度	-17 °C ... 60 °C
存放温度	-20 °C ... 40 °C
电池充电起始温度	-10 °C ... 45 °C

5 操作

5.1 工作现场的准备工作

警告

人身伤害的危险！意外启动的风险！

- ▶ 插入电池前，确保已关闭产品。
- ▶ 对电动工具执行任何调节或更换配件前，先取出电池。

请遵守本文档中以及产品上的安全说明和警告。

5.2 插入电池

-小心-

人身伤害的危险！旋转电锤意外启动。

- ▶ 安装电池前，检查并确认旋转电锤已关闭，且前进/后退开关处于中间位置 (即安全锁接合)。

1. 将电池推入电池座中，直至听到它接合的“咔嚓”声。



2. 检查并确认电池已可靠就位。

5.3 拆下电池 3

1. 按下电池上的释放按钮。
2. 朝着后部拉出电池。

5.4 安装侧面手柄 4



谨防受伤！失去对产品的控制。

- ▶ 检查并确认侧面手柄已正确安装和可靠固定。检查并确认夹紧带已接合到产品的凹槽中。

1. 通过转动手柄握柄释放侧面手柄夹紧带。
2. 将深度计从前面滑入两个导向孔中。
3. 通过转动手柄握柄紧固侧面手柄夹紧带。

5.5 安装和调整深度计 5

- ▶ 必要时安装并正确调节深度计。

5.6 安装 / 拆卸夹头 6



人身伤害的危险！安装而不使用深度计可能对操作者造成阻碍。

- ▶ 从工具上拆下深度计。

- ▶ 安装 / 拆卸夹头。

5.7 插入工具 7

1. 稍稍润滑配套工具的连接端。
 - ▶ 只能使用原装 Hilti 润滑脂。使用错误的润滑脂可能会导致工具损坏。
2. 将配件工具推入夹头中并推到底（直至它接合）。
3. 安装配套工具后，请务必握住并拉动它，确认其已可靠接合。
 - ▶ 本产品处于备用状态。

5.8 拆卸配件工具 8

- ▶ 向后拉动夹头，直到拉不动为止，然后拆下配套工具。

5.9 吊顶作业 9

- ▶ 安装 DCD 防尘圈，以便进行吊顶作业。

5.10 凿子定位 10

- ▶ 将功能选择开关设置至 \rightarrow 位置。

6 工作类型



损坏风险 由错误操作引起！

- ▶ 不得在运行期间操作旋转方向和/或功能选择开关。

请遵守本文档中以及产品上的安全说明和警告。

6.1 功能选择开关 10


- ▶ 将功能选择开关设置到所需的工作位置。
 - ▶ 电机运行时请勿操作功能选择开关。损坏风险！




6.2 前进/后退

- ▶ 将前进/后退开关设置到期望的旋转方向。


6.3 不通过锤击作用钻孔

- ▶ 将功能选择开关设置至  位置。

6.4 通过锤击作用钻孔

- ▶ 将功能选择开关设置至  位置。

6.5 凿边

- ▶ 将功能选择开关设置至  位置。
 - ▶ 为了实现最佳电机冷却效果，选择正向旋转方向，即顺时针（钻孔时的旋转方向）。

7 维护和保养

7.1 维护和保养



警告

插入电池时存在人身伤害危险！

- ▶ 执行维护和保养任务之前，请务必先取出电池。

工具的保养

- 请小心去除顽固的污垢。
- 如果有污垢，请用干燥的软毛刷小心地清洁通风孔。
- 请仅使用微湿的抹布清洁外壳。不要使用含硅清洁剂，否则可能腐蚀塑料件。
- 请使用洁净干燥的抹布来清洁产品的接头。

锂离子电池的保养

- 切勿使用通风槽堵塞的电池。用干燥的软毛刷小心地清洁通风槽。
- 避免不必要地将电池暴露在粉尘或污垢中。切勿将电池暴露在高湿度的环境中（例如将其浸在水中或放在雨中）。
如果电池浸湿，请如处理损坏的电池那样对其进行处理。将其隔离在不可燃的容器中，然后联系 Hilti 维修中心。
- 确保电池远离油和油脂。切勿让不必要的粉尘或脏污积聚在电池上。用干燥的软毛刷或干燥柔软的布清洁电池。不要使用含硅清洁剂，否则可能腐蚀塑料件。
请勿触摸电池触点或从触点上去除出厂涂的油脂。
- 请仅使用微湿的抹布清洁外壳。不要使用含硅清洁剂，否则可能腐蚀塑料件。

维护

- 定期检查所有可见部件和控制器是否出现损坏迹象，确保其全部正常工作。
- 如果发现产品有损坏和/或有功能故障，请不要使用。立即将本产品交给 Hilti 维修中心修复。
- 清洁和维护之后，安装所有护板或保护装置并检查其功能是否正常。



为确保安全和可靠的操作，仅使用 Hilti 原装备件和耗材。经 Hilti 许可与产品搭配使用的备件、耗材和附件可到您当地的 Hilti Store 购买或访问：www.hilti.group

7.2 清洁防尘罩

- ▶ 使用干燥、干净的抹布定期清洁夹头上的防尘罩。
- ▶ 小心地擦拭密封唇以对其进行清洁，然后再次用 Hilti 润滑脂轻轻地对其进行润滑。
- ▶ 当密封唇损坏时，必须更换防尘罩。



8 运输和存放

8.1 电池型工具和电池的运输及存储

运输



运输途中的意外启动！

▶ 运输产品前务必将电池取出！

- ▶ 取下电池。
- ▶ 切勿松散、未加保护地运输电池。在运输过程中，应保护电池免受过度冲击或振动影响，并将其与任何导电材料或其它电池分开（因为它们可能会接触到电池端子并导致短路）。请遵守当地的电池运输规定。
- ▶ 请勿以邮寄方式运送电池。有关如何运送完好电池的说明，请咨询您的发货商。
- ▶ 每次使用前以及长时间运输前后都要检查产品和电池是否损坏。

存放



故障或泄漏的电池会导致意外损坏！

- ▶ 仅可在未插入电池的情况下存放产品！
- ▶ 请将产品和电池存放至凉爽干燥的地方。请遵守技术数据中规定的温度极限值。
- ▶ 请勿将电池存放在充电器中。充电过程结束后请始终将电池从充电器中取出。
- ▶ 切勿将电池存放在阳光下、热源上或玻璃后。
- ▶ 请将本产品与电池存放在儿童或非授权人员无法接近的位置。
- ▶ 每次使用前以及长时间存放前后都要检查产品和电池是否损坏。

9 故障排除

如果您碰到的问题未在此表中列出或您无法自己实施补救措施，请联系 Hilti 服务部门。

9.1 旋转电锤不正常工作

故障	可能原因	解决方案
电池上的 LED 无指示。	电池未完全插入。	▶ 推入电池，直到听到其接合的双咔嗒声。
	电池放电。	▶ 更换电池，并对已放电电池充电。
	电池过热或过冷。	▶ 使电池冷却或变暖至室温。
电池上的 1 个 LED 闪烁。	电池放电。	▶ 更换电池，并对已放电电池充电。
	电池过热或过冷。	▶ 使电池冷却或变暖至室温。
电池上的 4 个 LED 闪烁。	旋转电锤已短时间过载。	▶ 释放控制开关，然后再次将其按下。

9.2 旋转电锤正常工作

故障	可能原因	解决方案
没有锤击作用。	旋转电锤过冷。	▶ 使钻头尖接触到工作面，打开旋转电锤并使其运转。必要时，重复该步骤，直到锤击机构开始工作。
	功能选择开关设置在“不通过锤击作用钻孔”位置	▶ 将功能选择开关设置到“锤击钻孔”位置
不能按下控制开关，即开关被锁止。	前进/后退开关处于中间位置。	▶ 向右或向左推动前进/后退开关。
驱动轴不旋转。	已超过旋转电锤电子装置的允许工作温度。	▶ 让工具冷却下来。



故障	可能原因	解决方案
驱动轴不旋转。	电池放电。	▶ 更换电池，并对已放电电池充电。
	功能选择开关未正确接合，被设置至“凿边” T ，或被设置至“凿子定位” ↻ 。	▶ 将功能选择开关设置在“不通过锤击作用钻孔”位置 ⚡ 或“锤击钻孔”位置 ⚡T 。
旋转电锤自动自行关闭。	过载保护装置已启动。	▶ 释放控制开关。使旋转电锤冷却下来。再次按下控制开关。降低工具的负载。
电池比平常更快耗尽。	非常低的环境温度。	▶ 允许电池缓慢加热到室温。
未听到电池接合的“双咔嗒声”。	电池上的固定凸耳脏污。	▶ 清洁固定凸耳，然后重新安装电池。
旋转电锤或电池变得很热。	电气故障。	▶ 立即关闭旋转电锤。取出电池并仔细观察。使其冷却下来。与 Hilti 中心联系。
	旋转电锤已过载。	▶ 使用功率更高的工具。
无法释放插入工具。	夹头未完全向后拉回。	▶ 向后拉动夹头，直到拉不动为止，然后拆下工具。
电动工具不前进。	旋转电锤已设置为反向旋转。	▶ 将前进/后退选择开关移至“向前”位置。
	功能选择开关设置在“不通过锤击作用钻孔”位置 ⚡ 。	▶ 将功能选择开关设置到“锤击钻孔”位置 ⚡T 。

10 选装配件

10.1 DCD 防尘圈

DCD 防尘圈是 Hilti 旋转电锤的配件。它能够收集吊顶作业产生的大多数粉尘，并能快捷方便地安装到旋转电锤上。

10.2 TE DRS-6-A / TE DRS-6-A OSHA 除尘模块

TE DRS-6-A 除尘模块是 Hilti TE 6-A22 旋转电锤的配件。它能够收集大多数粉尘，并能快捷方便地安装到旋转电锤上。除尘模块具有内置吸尘风扇。该风扇由其自带的电机驱动。当旋转电锤接通时，除尘模块由旋转电锤的电池供电。

除尘模块不适合对金属和木材进行作业。

条件: TE DRS-6-A OSHA

TE DRS-6-A OSHA 满足 OSHA 1926.1153 Table 1 的要求。它具有过滤器清洁机构。

10.2.1 安装除尘模块

安装模块之前，先检查并确认旋转电锤和除尘模块的固定点和电气接口上无粉尘，各部件紧密配合或能够轻松地自由移动。

1. 检查除尘模块是否损坏。
2. 检查望伸缩机构是否移动自如。
3. 将旋转电锤上的前进/后退开关移至中间位置。
4. 从侧面手柄上拆下深度计。
5. 将除尘模块放到导向装置上，然后从前面将其推到电动工具上，直到其接合。
6. 安装后，检查除尘模块是否稳固。

10.2.2 带除尘模块钻孔

1. 按下旋转电锤上的控制按钮，从而启动除尘模块。
2. 按住控制按钮，直至达到最大吸力。
3. 放置吸头，使其边缘平靠在工作面上。
4. 钻孔并将产品缓慢地拉出钻好的孔，以带出尽量多的灰尘。



10.2.3 排空集尘箱

由于集尘箱满载或过滤器堵塞会导致产生过多灰尘，必须进行日常清洁和排空。
在钻好 8 到 10 个孔后排空集尘箱 (16 mm x 50 mm) (5/8 in x 2 in)。
为了尽量减少灰尘产生，应小心地将灰尘转移到带密封盖的容器中。

1. 水平握住电动工具，让其短暂运行一段时间。
 - ▶ 这样能确保除尘模块部件中残存的积灰被吸入集尘箱内。
2. 按下并按住集尘箱的释放按钮。
3. 向下拉动集尘箱并使其远离除尘模块。
4. 排空集尘箱。
 - ▶ 过滤器堵塞。
 - ▶ 更换过滤器。
 - ▶ 过滤器上无灰尘。
5. 从下方将空集尘箱推回至除尘模块中，直至它接合入位。

10.2.4 清洁 TE-DRS-OSHA 过滤器

在钻好 5 个孔后清洁过滤器 (16 mm x 50 mm) (1/2 in x 3 in)。

- ▶ 当吸力逐渐减小时，将清洁机构前后来回滑动 5 次，直至其两侧发出咔哒声。

10.2.5 拆下除尘模块

1. 将旋转电锤上的前进/后退开关移至中间位置。
2. 按下并按住 DRS 释放按钮。
3. 向前拉动除尘模块并使其远离电动工具。

11 废弃处置



-警告-

废弃处理不当会有人身伤害的危险！漏出的气体或液体会带来健康危害。

- ▶ 不得通过邮寄方式发送任何电池。
- ▶ 用非导电材料 (比如绝缘带) 包住端子，以防止短路。
- ▶ 在儿童接触不到的地方处置电池。
- ▶ 请将电池送交 **Hilti Store** 处置，或咨询当地的废弃处理机构以获取处置说明。

制造 Hilti 产品所用的大部分材料都可回收利用。在可以回收之前，必须正确分离材料。Hilti 在很多国家都提供旧工具回收服务。请咨询 Hilti 客户服务部门或您的销售顾问。



- ▶ 不要将电动工具、电子设备和电池扔进家庭垃圾中！

12 RoHS (Richtlinie zur Beschränkung der Verwendung gefährlicher Stoffe)

Unter folgendem Link finden Sie die Tabelle gefährlicher Stoffe: qr.hilti.com/r4695.

Einen Link zur RoHS-Tabelle finden Sie am Ende dieser Dokumentation als QR-Code.

13 制造商保修

- ▶ 如对保修条件有任何疑问，请联系您当地的 Hilti 代表。



EC Declaration of Conformity | UK Declaration of Conformity



Manufacturer:
Hilti Corporation
Feldkircherstraße 100
9494 Schaan | Liechtenstein

UK Importer:
Hilti (Gt. Britain) Limited
No. 1 Circle Square, 3 Symphony Park
Manchester, England, M1 7FS

TE 6-A22 (04) | TE DRS-6-A(02)

Serial Numbers: 1-99999999999

2006/42/EC | Supply of Machinery (Safety) Regulations 2008

EN 62841-1:2015, AC:2015

EN IEC 62841-2-6:2020/A11:2020

2014/30/EU | Electromagnetic Compatibility Regulations 2016

EN IEC 55014-1:2021

EN IEC 55014-2:2021

2011/65/EU | The Restriction of the Use of Certain Hazardous Substances in Electrical and Electronic Equipment Regulations 2012

Dr. Tahar Zrilli
Head of Quality and Process Management
Business Area Electric Tools & Accessories

Schaan, 12.02.2023

Edward-Louis Przybyłowicz
Head of BU Power Tool & Accessories
Business Area Electric Tools & Accessories



<http://qr.hilti.com/r6881579>



Hilti Corporation
LI-9494 Schaan
Tel.:+423 234 21 11
Fax:+423 234 29 65
www.hilti.group



2166350