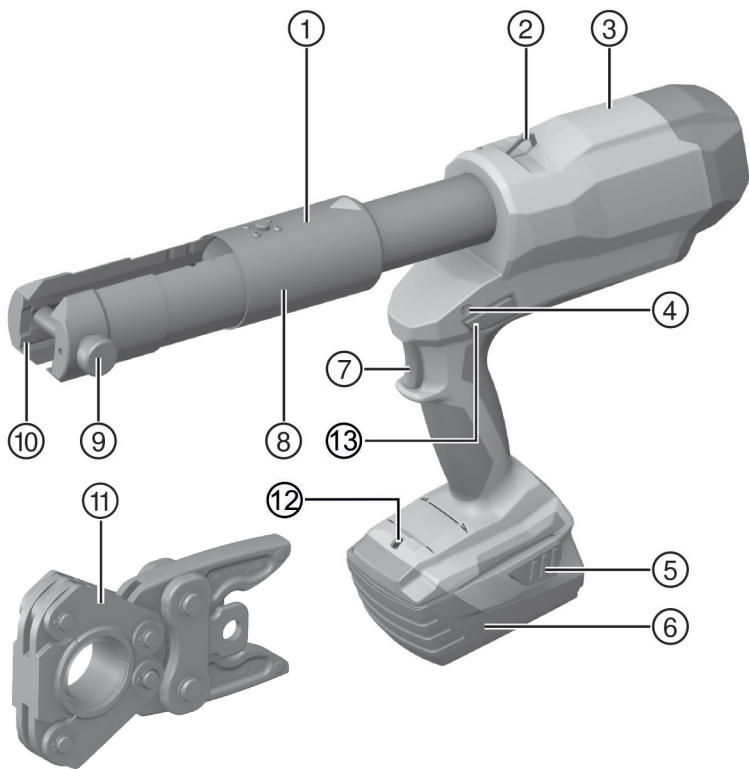
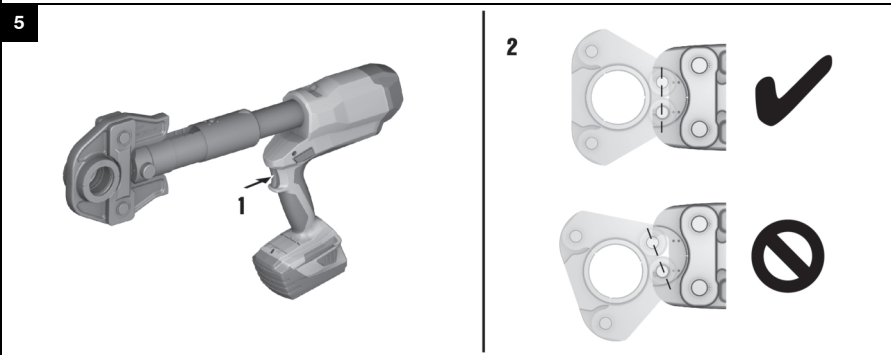
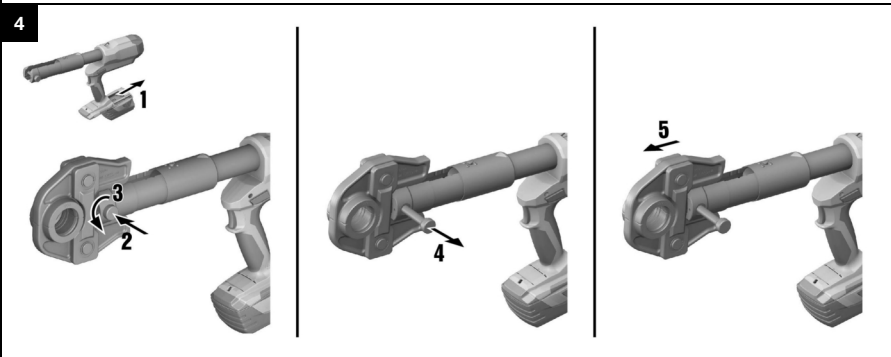
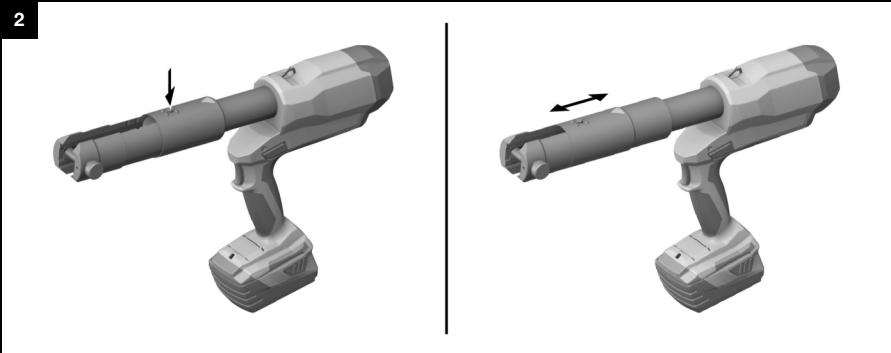




NPR 032 PE-A22
(01)

English	1
Français	13
Español	26
Português	40





NPR 032 PE-A22

en	Original operating instructions	1
fr	Mode d'emploi original	13
es	Manual de instrucciones original	26
pt	Manual de instruções original	40

Original operating instructions

1 Information about the operating instructions

1.1 About these operating instructions

- **Warning!** Read and understand all accompanying documentation, including but not limited to instructions, safety warnings, illustrations, and specifications provided with this product. Familiarize yourself with all the instructions, safety warnings, illustrations, specifications, components, and functions of the product before use. Failure to do so may result in electric shock, fire, and/or serious injury. Save all warnings and instructions for future reference.
- products are designed for professional users and only trained, authorized personnel are permitted to operate, service and maintain the products. This personnel must be specifically informed about the possible hazards. The product and its ancillary equipment can present hazards if used incorrectly by untrained personnel or if used not in accordance with the intended use.
- The accompanying documentation corresponds to the current state of the art at the time of printing. Please always check for the latest version on the product's page on Hilti's website. To do this, follow the link or scan the QR code in this documentation, marked with the symbol .
- Ensure that these operating instructions are with the product when it is given to other persons.

1.2 Explanation of symbols

1.2.1 Warnings

Warnings alert persons to hazards that occur when handling or using the product. The following signal words are used:



DANGER !

- ▶ Draws attention to imminent danger that will lead to serious personal injury or fatality.



WARNING !

- ▶ Draws attention to a potential threat of danger that can lead to serious injury or fatality.



CAUTION !

- ▶ Draws attention to a potentially dangerous situation that could lead to personal injury or damage to the equipment or other property.

1.2.2 Symbols in the operating instructions

The following symbols are used in these operating instructions:

	Comply with the operating instructions
	Instructions for use and other useful information
	Dealing with recyclable materials
	Do not dispose of electric equipment and batteries as household waste
	Hilti Li-ion battery
	Hilti charger

1.2.3 Symbols in illustrations

The following symbols are used in illustrations:

2	These numbers refer to the illustrations at the beginning of these operating instructions.
----------	--



3	The numbering reflects the sequence of operations shown in the illustrations and may deviate from the steps described in the text.
⑪	Item reference numbers are used in the overview illustration and refer to the numbers used in the key in the product overview section.
	These characters are intended to specifically draw your attention to certain points when handling the product.

1.3 Product-dependent symbols

1.3.1 Symbols on the product

The following symbols can be used on the product:

	Risk of crushing injury!
	Direct current (DC)
	The power tool supports near-field communication (NFC) technology, which is compatible with iOS and Android platforms.
Li-Ion	Li-ion battery
	Hilti Li-ion battery type series used. Observe the information given in the section headed Intended use .
	Never use the battery as a striking tool.
	Do not drop the battery. Never use a battery that has suffered an impact or is damaged in any other way.
	Hilti Li-ion battery type series used. Observe the information given in the section headed Intended use .
	If applied on the product, the product has been certified by this certification body for the US and Canadian markets according to the applicable standards.

1.4 Product information

products are designed for professional users and only trained, authorized personnel are permitted to operate, service and maintain the products. This personnel must be specifically informed about the possible hazards. The product and its ancillary equipment can present hazards if used incorrectly by untrained personnel or if used not in accordance with the intended use.

The type designation and serial number are printed on the rating plate.

- Write down the serial number in the table below. You will be required to state the product details when contacting Hilti Service or your local Hilti organization to inquire about the product.

Product information

crimping / pressing tool	NPR 032 PE-A22
Generation	01
Serial no.	

1.5 Declaration of conformity

We declare, on our sole responsibility, that the product described here complies with the applicable directives and standards. A copy of the declaration issued by the certification department can be found at the end of this documentation.

The technical documentation is filed here:

Hilti Entwicklungsgesellschaft mbH | Tool Certification | Hiltistrasse 6 | 86916 Kaufering, Germany



2 Safety

2.1 General power tool safety warnings

⚠ WARNING Read all safety warnings, instructions, illustrations and specifications provided with this power tool. Failure to follow all instructions listed below may result in electric shock, fire and/or serious injury. **Save all warnings and instructions for future reference.**

The term "power tool" in the warnings refers to your mains-operated (corded) power tool or battery-operated (cordless) power tool.

Work area safety

- ▶ **Keep work area clean and well lit.** Cluttered or dark areas invite accidents.
- ▶ **Do not operate power tools in explosive atmospheres, such as in the presence of flammable liquids, gases or dust.** Power tools create sparks which may ignite the dust or fumes.
- ▶ **Keep children and bystanders away while operating a power tool.** Distractions can cause you to lose control.

Electrical safety

- ▶ **Power tool plugs must match the outlet. Never modify the plug in any way. Do not use any adapter plugs with earthed (grounded) power tools.** Unmodified plugs and matching outlets will reduce risk of electric shock.
- ▶ **Avoid body contact with earthed or grounded surfaces, such as pipes, radiators, ranges and refrigerators.** There is an increased risk of electric shock if your body is earthed or grounded.
- ▶ **Do not expose power tools to rain or wet conditions.** Water entering a power tool will increase the risk of electric shock.
- ▶ **Do not abuse the cord. Never use the cord for carrying, pulling or unplugging the power tool. Keep cord away from heat, oil, sharp edges or moving parts.** Damaged or entangled cords increase the risk of electric shock.
- ▶ **When operating a power tool outdoors, use an extension cord suitable for outdoor use.** Use of a cord suitable for outdoor use reduces the risk of electric shock.
- ▶ **If operating a power tool in a damp location is unavoidable, use a residual current device (RCD) protected supply.** Use of an RCD reduces the risk of electric shock.

Personal safety

- ▶ **Stay alert, watch what you are doing and use common sense when operating a power tool. Do not use a power tool while you are tired or under the influence of drugs, alcohol or medication.** A moment of inattention while operating power tools may result in serious personal injury.
- ▶ **Use personal protective equipment. Always wear eye protection.** Protective equipment such as a dust mask, non-skid safety shoes, hard hat or hearing protection used for appropriate conditions will reduce personal injuries.
- ▶ **Prevent unintentional starting. Ensure the switch is in the off-position before connecting to power source and/or battery pack, picking up or carrying the tool.** Carrying power tools with your finger on the switch or energising power tools that have the switch on invites accidents.
- ▶ **Remove any adjusting key or wrench before turning the power tool on.** A wrench or a key left attached to a rotating part of the power tool may result in personal injury.
- ▶ **Do not overreach. Keep proper footing and balance at all times.** This enables better control of the power tool in unexpected situations.
- ▶ **Dress properly. Do not wear loose clothing or jewellery. Keep your hair and clothing away from moving parts.** Loose clothes, jewellery or long hair can be caught in moving parts.
- ▶ **If devices are provided for the connection of dust extraction and collection facilities, ensure these are connected and properly used.** Use of dust collection can reduce dust-related hazards.
- ▶ **Do not let familiarity gained from frequent use of tools allow you to become complacent and ignore tool safety principles.** A careless action can cause severe injury within a fraction of a second.

Power tool use and care

- ▶ **Do not force the power tool. Use the correct power tool for your application.** The correct power tool will do the job better and safer at the rate for which it was designed.
- ▶ **Do not use the power tool if the switch does not turn it on and off.** Any power tool that cannot be controlled with the switch is dangerous and must be repaired.
- ▶ **Disconnect the plug from the power source and/or remove the battery pack, if detachable, from the power tool before making any adjustments, changing accessories, or storing power tools.** Such preventive safety measures reduce the risk of starting the power tool accidentally.



- ▶ **Store idle power tools out of the reach of children and do not allow persons unfamiliar with the power tool or these instructions to operate the power tool.** Power tools are dangerous in the hands of untrained users.
- ▶ **Maintain power tools and accessories. Check for misalignment or binding of moving parts, breakage of parts and any other condition that may affect the power tool's operation. If damaged, have the power tool repaired before use.** Many accidents are caused by poorly maintained power tools.
- ▶ **Keep cutting tools sharp and clean.** Properly maintained cutting tools with sharp cutting edges are less likely to bind and are easier to control.
- ▶ **Use the power tool, accessories and tool bits etc. in accordance with these instructions, taking into account the working conditions and the work to be performed.** Use of the power tool for operations different from those intended could result in a hazardous situation.
- ▶ **Keep handles and grasping surfaces dry, clean and free from oil and grease.** Slippery handles and grasping surfaces do not allow for safe handling and control of the tool in unexpected situations.

Battery tool use and care

- ▶ **Recharge only with the charger specified by the manufacturer.** A charger that is suitable for one type of battery pack may create a risk of fire when used with another battery pack.
- ▶ **Use power tools only with specifically designated battery packs.** Use of any other battery packs may create a risk of injury and fire.
- ▶ **When battery pack is not in use, keep it away from other metal objects, like paper clips, coins, keys, nails, screws or other small metal objects, that can make a connection from one terminal to another.** Shorting the battery terminals together may cause burns or a fire.
- ▶ **Under abusive conditions, liquid may be ejected from the battery; avoid contact. If contact accidentally occurs, flush with water. If liquid contacts eyes, additionally seek medical help.** Liquid ejected from the battery may cause irritation or burns.
- ▶ **Do not use a battery pack or tool that is damaged or modified.** Damaged or modified batteries may exhibit unpredictable behaviour resulting in fire, explosion or risk of injury.
- ▶ **Do not expose a battery pack or tool to fire or excessive temperature.** Exposure to fire or temperature above 130° C (265 °F) may cause explosion.
- ▶ **Follow all charging instructions and do not charge the battery pack or tool outside the temperature range specified in the instructions.** Charging improperly or at temperatures outside the specified range may damage the battery and increase the risk of fire.

Service

- ▶ **Have your power tool serviced by a qualified repair person using only identical replacement parts.** This will ensure that the safety of the power tool is maintained.
- ▶ **Never service damaged battery packs.** Service of battery packs should only be performed by the manufacturer or authorized service providers.

2.2 Additional safety instructions for pressing tools

Personal safety

- ▶ Use the product and accessories only when they are in perfect working order.
- ▶ Never tamper with or modify the product or accessories in any way.
- ▶ Before use of the pressing tool, all live cables and other equipment carrying electric voltage within the area in which the user is working are to be switched off. If this is not possible, the corresponding safety precautions for working in the proximity of live cables or equipment must be implemented and observed.
- ▶ Keep the air vents clear at all times. Risk of burn injuries due to blocked air vents!
- ▶ Wear eye protection, a hard hat and ear protection while the product is in use.
- ▶ Dust produced by grinding, sanding, cutting and drilling can contain dangerous chemicals. Some examples are: lead or lead-based paints; brick, concrete and other masonry products, natural stone and other products containing silicates; certain types of wood, such as oak, beech and chemically treated wood; asbestos or materials that contain asbestos. Determine the exposure of the operator and bystanders by means of the hazard classification of the materials to be worked. Implement the necessary measures to restrict exposure to a safe level, for example by the use of a dust collection system or by the wearing of suitable respiratory protection. The general measures for reducing exposure include:
 - ▶ working in an area that is well ventilated,
 - ▶ avoidance of prolonged contact with dust,
 - ▶ directing dust away from the face and body,
 - ▶ wearing protective clothing and washing exposed areas of the skin with water and soap.



- ▶ Take frequent breaks and do physical exercises to improve the blood circulation in your fingers. High vibration during long periods of work can lead to disorders of the blood vessels and nervous system in the fingers, hands and wrists.
- ▶ Do not look directly into the light source (LED) of the product and do not aim the beam at other persons' faces. Risk of dazzling or eye damage.
- ▶ Never carry out crimping work on parts of a gas supply network unless express approval has been given by the system supplier for use of this tool in conjunction with specially tested and approved fittings.
- ▶ Check that the locking pin is pushed in all the way and securely engaged.
- ▶ To avoid pinning or trapping the fingers, after inserting the crimping jaws/adaptor jaws position the tubular guard so that the gap between crimping jaws/adaptor jaws and holder (crimping head) is as small as possible.
- ▶ Make sure that there are no foreign objects (e.g. plaster, grit particles, metal cuttings, etc.) in the crimping jaws and no parts are damaged. Do not continue to use damaged or distorted crimping jaws!
- ▶ Always use the grip for carrying the device and always make sure your hands are dry. If your fingers/hands are oily or greasy you might lose your grip on the device and drop it.
- ▶ **Before starting work, check the crimping tool and NPR PS crimping jaws or, as applicable, NPR PR crimping rings in accordance with the instructions.** Inadequately tested tools, jaws or rings can lead to substandard crimpings and are a potential safety risk for the operator. Crimping tools must undergo inspection by **Hilti** service at the latest every 15,000 crimping operations and at least once a year. Crimping jaws and rings must undergo servicing by **Hilti** service at least once a year.
- ▶ After crimping, pressure-test the tubing system to ensure that it is free of leaks (resulting from misuse of the tool, for example).
- ▶ Risk of injury by falling tools and/or accessories. Before starting work, check that the battery and installed accessories are secure.
- ▶ Do not attach a belt hook to this product.

Electrical safety

- ▶ Before use of the power tool, all live cables or other items carrying electric voltage within the area in which the user is working are to be switched off. If this is not possible, the corresponding safety precautions for working in the proximity of live cables or equipment must be implemented and observed.
- ▶ Do not crimp live parts. The tool must be considered to be uninsulated and must therefore be used in conjunction with personal protective equipment (protective gloves, protective footwear, protective clothing, etc.) of a type suitable to provide protection for yourself and other persons in the vicinity.

Power tool use and care

- ▶ After approx. 50 consecutive crimping operations, switch the power tool off and allow it to cool down for about 15 minutes. Overheating can lead to damage to the power tool.

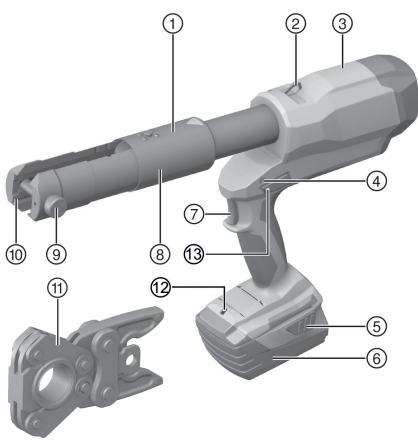
2.3 Careful handling and use of batteries

- ▶ Observe the special guidelines applicable to the transport, storage and use of lithium-ion batteries.
- ▶ Do not expose batteries to high temperatures, direct sunlight or fire.
- ▶ Do not disassemble, crush or incinerate batteries and do not subject them to temperatures over 80 °C (176 °F).
- ▶ Do not use or charge batteries that have suffered mechanical impact, have been dropped from a height or show signs of damage. In this case, always contact your **Hilti Service**.
- ▶ If the battery is too hot to touch it may be defective. Put the battery in a place where it is clearly visible and where there is no risk of fire, at an adequate distance from flammable materials. Allow the battery to cool down. If it is still too hot to touch after an hour, the battery is faulty. Contact **Hilti Service**.



3 Description

3.1 Product overview



- ① Crimping / pressing head
- ② Key ring
- ③ Casing
- ④ Servicing and fault indicator (red LED)
- ⑤ Battery release button
- ⑥ Battery
- ⑦ Control switch
- ⑧ Tubular guard for adjusting (shortening/extending) the stroke
- ⑨ Locking pin for opening/closing the tool head
- ⑩ Crimping jaw holder
- ⑪ Pressing ring with adapter jaws
- ⑫ White LED to illuminate the working area
- ⑬ Manual piston return switch

3.2 Intended use

The product described is a cordless electro-hydraulic crimping tool.

It is designed for crimping fittings used to connect composite, copper (Cu) and steel pipes.

- Use only **Hilti** lithium-ion batteries of the B 22 series with this product.
- Use only **Hilti**-approved battery chargers to charge these batteries. More information is available from your **Hilti Store** or from www.hilti.group

3.3 Possible misuse

- Do not use this hand-held product clamped in a fixed position or as a stationary device.
- This electro-hydraulic crimping tool may not be exposed to heavy rain or used under water.

3.4 Lithium-ion battery status display

The charge state of the Li-ion battery and malfunctions of the product are indicated by the indicator of the Li-ion battery. The state of charge of the Li-ion battery is displayed after pressing one of the two battery release buttons.

Status	Meaning
4 LEDs light.	State of charge: 75 % to 100 %
3 LEDs light.	State of charge: 50 % to 75 %
2 LEDs light.	State of charge: 25 % to 50 %
1 LED lights.	State of charge: 10 % to 25 %
1 LED flashes.	State of charge: < 10 %

Battery state of charge cannot be displayed while the control switch is pressed and for up to 5 seconds after releasing the control switch. If the LEDs of the charge state indicator flash, follow the instructions in the 'Troubleshooting' section.

3.5 Items supplied

Crimping / pressing tool, operating instructions.

Other system products approved for use with this product can be found at your local **Hilti Store** or at: www.hilti.group



4 Technical data

	NPR 032 PE-A22
Rated voltage	21.6 V
Weight including B228.0 battery	4.9 kg (10.8 lb)
Max. crimping / pressing force	32 kN (7,194 lb _f)
Crimping / pressing time	≈ 7 s
Storage temperature	-20 °C ... 70 °C (-4 °F ... 158 °F)
Ambient temperature for operation	-17 °C ... 60 °C (1 °F ... 140 °F)

4.1 Battery

Battery operating voltage	21.6 V
Ambient temperature	-10 °C ... 60 °C (14 °F ... 140 °F)
Storage temperature	-20 °C ... 40 °C (-4 °F ... 104 °F)

5 Operation

5.1 Preparations at the workplace

WARNING

Risk of injury by inadvertent starting!

- ▶ Before inserting the battery, make sure that the product is switched off.
- ▶ Remove the battery before making any adjustments to the power tool or before changing accessories.

Observe the safety instructions and warnings in this documentation and on the product.

5.2 Charging the battery

1. Before charging the battery, read the operating instructions for the charger.
2. Make sure that the contacts on the battery and the contacts on the charger are clean and dry.
3. Use an approved charger to charge the battery. 6

5.3 Inserting the battery

WARNING

Risk of injury by short circuit or falling battery!

- ▶ Before inserting the battery, make sure that the contacts on the battery and the contacts on the product are free of foreign matter.
- ▶ Make sure that the battery always engages correctly.

1. Charge the battery fully before using it for the first time.
2. Push the battery into the product until it engages with an audible click.
3. Check that the battery is seated securely.

5.4 Removing the battery

1. Press the battery release buttons.
2. Remove the battery from the tool.



5.5 Adjusting the stroke

5.5.1 Shortening the stroke 2



WARNING

Risk of injury! Unintentional starting.

- ▶ Remove the battery before inserting the crimping jaws.



The crimping tool's stroke can be shortened or extended to suit the size of the crimping jaws used.

1. Fit the crimping / pressing jaws.
2. Insert the battery.
3. Press and hold down the control switch until the piston is just short of the crimping jaws.
4. Release the control switch.
 - ▶ The piston stops.
5. Press the pin on the tubular guard.
6. Push the tubular guard to the desired position until the pin engages.
 - ▶ The piston retracts only as far as the selected position.

5.5.2 Extending the stroke 2



WARNING

Risk of injury! Unintentional starting.

- ▶ Remove the battery before inserting the crimping jaws.

1. Fit the crimping / pressing jaws.
2. Insert the battery.
3. Press the pin on the tubular guard.
4. Push the tubular guard to the desired position until the pin engages.
 - ▶ When you press the return button the piston retracts to the selected position.

5.5.3 Position/stroke table

Pos.	Stroke	Crimping / pressing system	Sizes	Adapter
1	40 mm	ProPress (PP)	1/2 in ... 2 in	—
		MegaPress (MP)	2 1/2 in ... 4 in	NPR PA 5
			1/2 in ... 1 in	-
			1 1/4 in ... 2 in	NPR PA 2
2	80 mm	MegaPress (MP)	2 1/2 in ... 4 in	NPR PA 3
3	100 mm	Industrial application		

5.6 Fitting the crimping / pressing jaws 3



WARNING

Risk of injury! Unintentional starting.

- ▶ Remove the battery before fitting, changing or removing the crimping / pressing jaws.



Never operate the crimping / pressing tool without crimping / pressing jaws in place.

To ensure correct crimping and reliable and safe operation, use only the crimping jaws approved by the system provider and/or machine manufacturer.

1. Remove the battery and select the most suitable crimping / pressing jaws.
2. Press the locking pins.
3. Rotate the locking pins counterclockwise as far as they will go.
4. Pull out the locking pins.
5. Fit the crimping / pressing jaws.



6. Push the locking pins in until they engage.
7. Rotate the crimping / pressing head to the desired working position.



The crimping / pressing head can be rotated much more easily when not under pressure.

5.7 Removing the crimping / pressing jaws



WARNING

Risk of injury! Unintentional starting.

- ▶ Remove the battery before fitting, changing or removing the crimping / pressing jaws.

1. Remove the battery and rotate the crimping / pressing head into the outset position.
2. Press the locking pins.
3. Rotate the locking pins counterclockwise as far as they will go.
4. Pull out the locking pins.
5. Work the crimping jaws forward and out of the product.

5.8 Fitting the adapter jaws and pressing ring



WARNING

Risk of injury! Unintentional starting.

- ▶ Remove the battery before fitting, changing or removing the crimping / pressing jaws.



To ensure correct crimping and reliable and safe operation, use only the crimping rings approved by the system provider and/or machine manufacturer.

1. Remove the battery.
2. Press the locking pins.
3. Rotate the locking pins counterclockwise as far as they will go.
4. Pull out the locking pins.
5. Fit the adapter jaws.
6. Push the locking pins in until they engage.
7. Bring the pressing ring into position on the fitting to be pressed.
8. Close the pressing ring.

5.9 Removing the pressing ring and adapter jaws



WARNING

Risk of injury! Unintentional starting.

- ▶ Remove the battery before fitting, changing or removing the crimping / pressing jaws.

1. Open the pressing ring.
2. Remove the pressing ring.
3. Remove the battery.
4. Press the locking pins.
5. Rotate the locking pins counterclockwise as far as they will go.
6. Pull out the locking pins.
7. Work the adapter jaws forward and out of the product.

5.10 Fall arrest



WARNING

Risk of injury by falling tool and/or accessory!

- ▶ Use only the **Hilti** tool tether recommended for your product.
- ▶ Prior to each use, always check the attachment point of the tool tether for possible damage.



i Comply with the national regulations for working at heights.

As drop arrester for this product, use only the **Hilti** tool tether #2261971.

- ▶ Use the loop to secure the tool tether to the product as shown in the illustration. Check that it holds securely.
- ▶ Secure the carabiner to a load-bearing structure. Check that the carabiner holds securely.



i Comply with the operating instructions of the **Hilti** tool tether.

5.11 Crimping / pressing 5

⚠ WARNING

Danger! Risk of causing gas leakage when carrying out crimping / pressing work on parts of a gas supply network!

- ▶ Never carry out crimping / pressing work on parts of a gas supply network unless express approval has been given by the system supplier for use of this tool in conjunction with specially tested and approved fittings.

⚠ WARNING

Risk of injury due to misaligned adapter jaws and crimping ring. The adapter jaws and/or the crimping ring can fly off like projectiles and lead to serious injury to the user or a bystander.

- ▶ The adapter jaws and the crimping ring must be correctly aligned throughout the entire crimping / pressing operation.

⚠ CAUTION

Damage to property due to incorrect handling! Incorrect handling can result in damage to the pressing tool and/or the pressing rings.

- ▶ Before starting work, make sure that pressing rings, adapter jaws/pressing jaws and rolling actuator (if present) are dust-free and well lubricated.
- ▶ Before starting work, lubricate pressing rings, adapter jaws/pressing jaws and rolling actuator (if present) with "lubricant and corrosion-inhibiting spray" (#308976).
- ▶ Comply with the original operating instructions of the manufacturer for the pressing rings.

i In cold weather the hydraulic oil can thicken and slow the pressing operation. Perform 5 to 10 empty pressing operations to heat up the pressing tool.

1. Press and hold the control switch until the crimping / pressing jaws are completely closed.
2. When using a crimping ring, bring the product with the adapter jaws into position on the crimping ring and carry out the crimping operation.

i In order to achieve a tight, durable crimped / pressed joint, it is essential that the crimping / pressing jaws reach the fully closed position, thus indicating completion of the crimping / pressing operation. If the crimping / pressing operation is ended prematurely, the fitting must be removed or, if possible, recrimped / repressed.



6 Care and maintenance

WARNING

Risk of injury if service not performed !

- ▶ Servicing is required after 15,000 cycles or 1 year and must be performed by an authorized Hilti Service Center. Neglecting regular servicing can lead to serious safety risks for the operator and/or to faulty pressings.

WARNING

Risk of injury with battery inserted !

- ▶ Always remove the battery before carrying out care and maintenance tasks!

Care of the product

- Carefully remove stubborn dirt.
- Carefully clean the air vents, if present, with a dry, soft brush.
- Use only a slightly damp cloth to clean the housing. Do not use cleaning agents containing silicone as these can attack the plastic parts.
- Use a dry, clean cloth to clean the contacts of the product.

Care of the Li-ion batteries

- Never use a battery with clogged air vents. Clean the air vents carefully using a dry, soft brush.
- Avoid unnecessary exposure of the battery to dust and dirt. Never expose the battery to high levels of moisture (e.g. by being dipped in water or left in the rain).
If a battery has been soaked by moisture, treat it as a damaged battery. Isolate it in a non-flammable container and consult **Hilti Service**.
- Keep the battery free of extraneous oil and grease. Do not permit dust or dirt to accumulate unnecessarily on the battery. Clean the battery with a dry, soft brush or a clean, dry cloth. Do not use cleaning agents containing silicone as these can attack the plastic parts.
Do not touch the contacts of the battery and do not remove the factory-applied grease from the contacts.
- Use only a slightly damp cloth to clean the housing. Do not use cleaning agents containing silicone as these can attack the plastic parts.

Maintenance

WARNING

Danger of electric shock! Improper repairs to electrical components may lead to serious injuries including burns.

- ▶ Repairs to the electrical section of the tool or appliance may be carried out only by trained electrical specialists.
- Check all visible parts and controls for signs of damage at regular intervals and make sure that they all function correctly.
- Do not use the product if signs of damage are found or if parts malfunction. Immediately have the product repaired by **Hilti Service**.
- After cleaning and maintenance, install all guards and protective devices and check that they are in full working order.



To help ensure safe and reliable operation, use only genuine Hilti spare parts, consumables and accessories. Spare parts, consumables and accessories approved by **Hilti** for use with your product can be found at your **Hilti Store** or online at: www.hilti.group

7 Transport and storage of cordless tools and batteries

Transport

CAUTION

Accidental starting during transport !

- ▶ Always transport your products with the batteries removed!
- ▶ Remove the battery/batteries.
- ▶ Never transport batteries loose and unprotected. During transport, batteries should be protected from excessive shock and vibration and isolated from any conductive materials or other batteries that may



come in contact with the terminals and cause a short circuit. **Comply with the locally applicable regulations for transporting batteries.**

- ▶ Do not send batteries through the mail. Consult your shipper for instructions on how to ship undamaged batteries.
- ▶ Prior to each use and before and after prolonged transport, check the product and the batteries for damage.

Storage

WARNING

Accidental damage caused by defective or leaking batteries !

- ▶ Always store your products with the batteries removed!
-
- ▶ Store the product and the batteries in a cool and dry place. Comply with the temperature limits stated in the technical data.
 - ▶ Do not store batteries on the charger. Always remove the battery from the charger when the charging operation has completed.
 - ▶ Never leave batteries in direct sunlight, on sources of heat, or behind glass.
 - ▶ Store the product and batteries where they cannot be accessed by children or unauthorized persons.
 - ▶ Prior to each use and before and after prolonged storage, check the product and the batteries for damage.

8 Troubleshooting

If the trouble you are experiencing is not listed in this table or you are unable to remedy the problem by yourself, please contact **Hilti Service**.

8.1 The crimping / pressing tool is not in working order

Malfunction	Possible cause	Action to be taken
The LEDs on the battery indicate nothing.	The battery is not correctly inserted.	▶ Push the battery in until it engages with a double click.
	Battery is discharged.	▶ Change the battery and charge the empty battery.
	The battery is too hot or too cold.	▶ Allow the battery to cool down or to warm up to room temperature.
1 LED on the battery flashes.	Battery is discharged.	▶ Change the battery and charge the empty battery.
	The battery is too hot or too cold.	▶ Allow the battery to cool down or to warm up to room temperature.
4 LEDs on the battery flash.	Product momentarily overloaded.	▶ Allow the product to cool down.
Red LED => lights continuously and a warning tone is emitted.	Technical problem.	▶ Incorrect operation is possible! Contact Hilti Service .
Red LED => flashes at short intervals and a warning tone is emitted.	The state of charge of the battery is too low to allow a complete operating cycle.	▶ Change the battery and charge the empty battery.
Red LED => lights briefly and no warning tone is emitted.	Product overheated.	▶ Allow the product to cool down.

8.2 The crimping / pressing tool is in working order

Trouble or fault	Possible cause	Action to be taken
The battery runs down more quickly than usual.	Very low ambient temperature.	▶ Allow the battery to warm up slowly to room temperature.
The battery does not engage with an audible double click.	The retaining lugs on the battery are dirty.	▶ Clean the retaining lugs and refit the battery.



Trouble or fault	Possible cause	Action to be taken
Red LED => flashes at long intervals and a warning tone is emitted.	Crimping / pressing pressure not achieved (tool was used incorrectly).	▶ Make sure that the tool is used correctly and check the crimped / pressed part if unsure.
Red LED => lights continuously and a warning tone is emitted.	Technical problem.	▶ Incorrect operation is possible! Contact Hilti Service .
Red LED => lights continuously and no warning tone is emitted.	Product maintenance necessary.	▶ Contact Hilti Service .

9 Disposal

WARNING

Risk of injury due to incorrect disposal! Health hazards due to escaping gases or liquids.

- ▶ DO NOT send batteries through the mail!
- ▶ Cover the terminals with a non-conductive material (such as electrical tape) to prevent short circuiting.
- ▶ Dispose of your battery out of the reach of children.
- ▶ Dispose of the battery at your **Hilti Store**, or consult your local governmental garbage disposal or public health and safety resources for disposal instructions.

Most of the materials from which **Hilti** products are manufactured can be recycled. The materials must be correctly separated before they can be recycled. In many countries, your old tools, machines or appliances can be returned to **Hilti** for recycling. Ask **Hilti Service** or your Hilti sales representative for further information.



- ▶ Do not dispose of power tools, electronic equipment or batteries as household waste!

10 Manufacturer's warranty

- ▶ Please contact your local **Hilti** representative if you have questions about the warranty conditions.

Mode d'emploi original

1 Indications relatives au mode d'emploi

1.1 À propos de ce mode d'emploi

- **Avertissement !** Il convient de lire et comprendre toute la documentation jointe, y compris, sans s'y limiter, les instructions, avertissements de sécurité, illustration et spécifications fournies avec le présent produit. Prenez connaissance de toutes les instructions, avertissements de sécurité, illustrations, spécifications et fonctions du produit avant de l'utiliser. Tout manquement à cette obligation peut entraîner un choc électrique, un incendie, et/ou des blessures graves. Conservez l'ensemble des avertissements et instructions pour consultation ultérieure.
- Les produits sont destinés aux professionnels et ne doivent être utilisés, entretenus et réparés que par un personnel autorisé et formé. Ce personnel doit être spécialement instruit quant aux dangers inhérents à l'utilisation de l'appareil. Le produit et ses accessoires peuvent s'avérer dangereux s'ils sont utilisés de manière incorrecte par un personnel non qualifié ou de manière non conforme à l'usage prévu.
- La documentation ci-jointe correspond à l'état actuel de la technique à la date d'impression. Veuillez toujours consulter la dernière version sur la page du produit sur le site Internet de Hilti. Pour ce faire, suivez le lien ou scannez le code QR dans la documentation, indiqué par le symbole .
- Ne pas prêter ou céder le produit à un autre utilisateur sans lui fournir le présent mode d'emploi.



1.2 Explication des symboles

1.2.1 Avertissements

Les avertissements attirent l'attention sur des dangers liés à l'utilisation du produit. Les termes de signalisation suivants sont utilisés :

DANGER

DANGER !

- Pour un danger imminent qui peut entraîner de graves blessures corporelles ou la mort.

AVERTISSEMENT

AVERTISSEMENT !

- Pour un danger potentiel qui peut entraîner de graves blessures corporelles ou la mort.







ATTENTION

ATTENTION !

- Pour une situation potentiellement dangereuse pouvant entraîner des blessures corporelles ou des dégâts matériels.


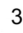


1.2.2 Symboles dans le manuel d'utilisation

Les symboles suivants sont utilisés dans le présent manuel d'utilisation :

	Respecter le manuel d'utilisation
	Pour des conseils d'utilisation et autres informations utiles
	Maniement des matériaux recyclables
	Ne pas jeter les appareils électriques et les accus dans les ordures ménagères
	Hilti Accu Li-Ion
	Hilti Chargeur

1.2.3 Symboles dans les illustrations


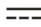

Les symboles suivants sont utilisés dans les illustrations :

	Ces chiffres renvoient à l'illustration correspondante au début du présent manuel d'utilisation.
	La numérotation détermine la séquence des étapes de travail dans l'image et peut se différencier de celles des étapes de travail dans le texte.
	Les numéros de position sont utilisés dans l'illustration Vue d'ensemble et renvoient aux numéros des légendes dans la section Vue d'ensemble du produit .
	Ce signe doit inviter à manier le produit en faisant particulièrement attention.

1.3 Symboles spécifiques au produit

1.3.1 Symboles sur le produit

Les symboles suivants peuvent être utilisés sur le produit :

	Risque de pincement !
	Courant continu
	L'appareil prend en charge la technologie NFC qui est compatible avec les plates-formes iOS et Android.



Li-Ion	Accu lithium-ions
	Série de type d'accu Li-Ion Hilti utilisée. Observer les instructions au chapitre Utilisation conforme à l'usage prévu .
	Ne jamais utiliser l'accu comme outil de percussion.
	Ne pas laisser tomber l'accu. Ne pas utiliser d'accu ayant subi un choc ou d'autres dommages.
	Série de type d'accu Li-Ion Hilti utilisée. Observer les instructions au chapitre Utilisation conforme à l'usage prévu .
	Si présent sur le produit, c'est que le produit a été certifié conformément aux normes en vigueur par cet organisme de certification pour le marché nord-américain et canadien.

1.4 Informations produit

Les produits sont destinés aux professionnels et ne doivent être utilisés, entretenus et réparés que par un personnel autorisé et formé. Ce personnel doit être spécialement instruit quant aux dangers inhérents à l'utilisation de l'appareil. Le produit et ses accessoires peuvent s'avérer dangereux s'ils sont utilisés de manière incorrecte par un personnel non qualifié ou de manière non conforme à l'usage prévu. La désignation du modèle et le numéro de série figurent sur sa plaque signalétique.

- ▶ Inscrivez le numéro de série dans le tableau suivant. Les informations produit vous seront demandées lorsque vous contactez nos revendeurs ou services après-vente.

Caractéristiques produit

Sertisseuse	NPR 032 PE-A22
Génération	01
N° de série	

1.5 Déclaration de conformité

Nous déclarons sous notre seule et unique responsabilité que le produit décrit ici est conforme aux directives et normes en vigueur. Une copie de l'attestation délivrée par l'organisme de certification se trouve en fin de la présente documentation.

Pour obtenir les documentations techniques, s'adresser à :

Hilti Entwicklungsgesellschaft mbH | Zulassung Geräte | Hiltistraße 6 | 86916 Kaufering, DE

2 Sécurité

2.1 Indications générales de sécurité pour les appareils électriques

⚠ AVERTISSEMENT Lire toutes les consignes de sécurité et instructions, illustrations et caractéristiques techniques, qui accompagnent cet outil électroportatif. Tout manquement à l'observation des instructions suivantes risque de provoquer une électrocution, un incendie et/ou de graves blessures.

Les consignes de sécurité et instructions doivent être intégralement conservées pour les utilisations futures.

La notion d'« outil électroportatif » mentionnée dans les consignes de sécurité se rapporte à des outils électriques raccordés au secteur (avec câble d'alimentation) et à des outils électriques sur accu (sans câble d'alimentation).

Sécurité sur le lieu de travail

- ▶ **Conserver la zone de travail propre et bien éclairée.** Un lieu de travail en désordre ou mal éclairé augmente le risque d'accidents.
- ▶ **Ne pas faire fonctionner les outils électriques en atmosphère explosive et où se trouvent des liquides, des gaz ou poussières inflammables.** Les outils électriques produisent des étincelles qui peuvent enflammer les poussières ou les fumées.
- ▶ **Maintenir les enfants et les personnes présentes à l'écart pendant l'utilisation de l'outil électroportatif.** En cas d'inattention il y a risque de perdre le contrôle de l'appareil.

Sécurité relative au système électrique

- ▶ **La fiche de secteur de l'outil électroportatif doit être adaptée à la prise de courant. Ne jamais modifier la fiche de quelque façon que ce soit. Ne pas utiliser d'adaptateurs avec des outils**



électriques à branchement de terre. Des fiches non modifiées et des prises de courant adaptées réduiront le risque de choc électrique.

- ▶ **Éviter le contact physique avec des surfaces mises à la terre tels que tuyaux, radiateurs, cuisinières et réfrigérateurs.** Il y a un risque élevé de choc électrique au cas où votre corps serait relié à la terre.
- ▶ **Ne pas exposer les outils électroportatifs à la pluie ou à l'humidité.** La pénétration d'eau à l'intérieur d'un outil électroportatif augmentera le risque d'un choc électrique.
- ▶ **Ne jamais utiliser le câble de raccordement à d'autres fins que celles prévues, telles que pour porter, accrocher ou débrancher l'outil électroportatif de la prise de courant. Maintenir le câble de raccordement à l'écart de la chaleur, des parties grasses, des bords tranchants ou des parties en mouvement.** Des câbles de raccordement endommagés ou emmêlés augmentent le risque de choc électrique.
- ▶ **Si l'outil électroportatif est utilisé à l'extérieur, utiliser uniquement des câbles de rallonge homologués pour les applications extérieures.** L'utilisation d'un câble de rallonge homologué pour les applications extérieures réduit le risque d'un choc électrique.
- ▶ **Si l'utilisation de l'outil électrique dans un environnement humide ne peut pas être évitée, utiliser un interrupteur de protection contre les courants de court-circuit.** L'utilisation d'un tel interrupteur de protection réduit le risque d'une décharge électrique.

Sécurité des personnes

- ▶ **Rester vigilant, surveiller ce que l'on fait. Faire preuve de bon sens en utilisant l'outil électroportatif. Ne pas utiliser l'outil électroportatif en étant fatigué ou sous l'emprise de l'alcool, de drogues ou de médicaments.** Un moment d'inattention lors de l'utilisation de l'outil électroportatif peut entraîner des blessures graves.
- ▶ **Utiliser un équipement de protection personnel et toujours porter une protection pour les yeux.** Les équipements de protection personnels tels que masque antipoussière, chaussures de sécurité antidérapantes, casque de protection ou protection acoustique suivant l'utilisation de l'outil électroportatif, réduiront le risque de blessures des personnes.
- ▶ **Éviter une mise en service par mégarde. S'assurer que l'outil électroportatif est arrêté avant de le brancher à la source de courant et/ou à l'accu, de le prendre ou de le porter.** Le fait de porter l'outil électroportatif avec le doigt sur l'interrupteur ou de brancher l'appareil sur la source de courant lorsque l'interrupteur est en position de fonctionnement peut entraîner des accidents.
- ▶ **Retirer tout outil de réglage ou toute clé avant de mettre l'outil électroportatif en fonctionnement.** Une clé ou un outil se trouvant sur une partie en rotation peut causer des blessures.
- ▶ **Adopter une bonne posture. Veiller à toujours garder une position stable et équilibrée.** Cela permet un meilleur contrôle de l'outil électroportatif dans des situations inattendues.
- ▶ **S'habiller de manière adaptée. Ne pas porter de vêtements amples ni de bijoux. Garder les cheveux, les vêtements et les gants à distance des parties en mouvement.** Des vêtements amples, des bijoux ou des cheveux longs peuvent être happés par des parties en mouvement.
- ▶ **Si des dispositifs servant à aspirer ou à recueillir les poussières doivent être utilisés, s'assurer qu'ils sont effectivement raccordés et correctement utilisés.** L'utilisation d'un dispositif d'aspiration de la poussière peut réduire les risques dus aux poussières.
- ▶ **Ne pas sous-estimer les mesures de sécurité à prendre et ne pas ignorer sciemment les règles de sécurité applicables aux outils électriques, même si l'on est utilisateur chevronné après de fréquentes utilisations de l'outil électroportatif.** Un manque d'attention peut conduire à de graves blessures en quelques fractions de seconde.

Utilisation et maniement de l'outil électroportatif

- ▶ **Ne pas forcer l'appareil. Utiliser l'outil électroportatif adapté au travail à effectuer.** Un outil électroportatif approprié réalisera mieux le travail et de manière plus sûre au régime pour lequel il a été conçu.
- ▶ **Ne pas utiliser d'outil électroportatif dont l'interrupteur est défectueux.** Tout outil électroportatif qui ne peut plus être mis en ou hors fonctionnement est dangereux et doit être réparé.
- ▶ **Débrancher la fiche de la prise de courant et/ou l'accu amovible avant d'effectuer des réglages sur l'appareil, de changer les accessoires, ou de ranger l'appareil.** Cette mesure de précaution empêche une mise en fonctionnement par mégarde de l'outil électroportatif.
- ▶ **Conserver les outils électroportatifs non utilisés hors de portée des enfants. Ne permettre l'utilisation de l'appareil à aucune personne qui ne soit pas familiarisée avec celui-ci ou qui n'a pas lu ces instructions.** Les outils électroportatifs sont dangereux lorsqu'ils sont entre les mains de personnes non initiées.
- ▶ **Prendre soin des outils électroportatifs et des accessoires. Vérifier que les parties en mouvement fonctionnent correctement et qu'elles ne sont pas coincées, et contrôler si des parties sont cassées ou endommagées de sorte que le bon fonctionnement de l'outil électroportatif s'en trouve**



entravé. Faire réparer les parties endommagées avant d'utiliser l'appareil. De nombreux accidents sont dus à des outils électroportatifs mal entretenus.

- ▶ **Garder les outils de coupe affûtés et propres.** Des outils destinés à couper correctement entretenus avec des arêtes de coupe tranchantes sont moins susceptibles de bloquer et sont plus faciles à contrôler.
- ▶ **L'outil électroportatif, les accessoires, les outils amovibles, etc. doivent être utilisés conformément à ces instructions. Tenir également compte des conditions de travail et du travail à réaliser.** L'utilisation des outils électroportatifs à d'autres fins que celles prévues peut entraîner des situations dangereuses.
- ▶ **Veiller à ce que les poignées et surfaces de préhension soient toujours être sèches, propres et exemptes de traces de graisse ou d'huile.** Avec des poignées et surfaces de préhension glissantes, la sécurité et le contrôle de l'outil électroportatif ne peuvent être assurés dans des situations inopinées.

Utilisation et maniement de l'outil sur accu

- ▶ **Ne charger les accus que dans des chargeurs recommandés par le fabricant.** Si un chargeur approprié à un type spécifique d'accu est utilisé avec des accus non recommandés pour celui-ci, il y a risque d'incendie.
- ▶ **Dans les outils électroportatifs, utiliser uniquement les accus spécialement prévus pour ceux-ci.** L'utilisation de tout autre accu peut entraîner des blessures et des risques d'incendie.
- ▶ **Tenir l'accu non utilisé à l'écart de tous objets métalliques tels qu'agrafes, pièces de monnaie, clés, clous, vis ou autres, étant donné qu'un pontage peut provoquer un court-circuit.** Un court-circuit entre les contacts d'accu peut provoquer des brûlures ou un incendie.
- ▶ **En cas d'utilisation abusive, du liquide peut sortir de l'accu. Éviter tout contact avec ce liquide. En cas de contact par mégarde, rincer soigneusement avec de l'eau. Au cas où le liquide rentrerait dans les yeux, consulter en plus un médecin.** Le liquide qui sort de l'accu peut entraîner des irritations de la peau ou causer des brûlures.
- ▶ **Ne pas utiliser d'accu endommagé ou modifié.** Des accus endommagés ou modifiés peuvent avoir un comportement imprévisible et provoquer un incendie, une explosion ou engendrer un risque de blessures.
- ▶ **Ne jamais exposer l'accu au feu ou à des températures trop élevées.** Le feu ou des températures supérieures à 130 °C (265 °F) peuvent provoquer une explosion.
- ▶ **Suivre toutes les instructions de charge et ne jamais charger l'accu ou l'outil sur accu hors de la plage de températures spécifiée dans le manuel d'utilisation.** Une charge inappropriée ou hors de la plage de températures spécifiée risque d'endommager l'accu et accroître le risque d'incendie.

Service

- ▶ **L'outil électroportatif doit uniquement être réparé par un personnel qualifié et seulement avec des pièces de rechange d'origine.** Ceci permet d'assurer la sécurité de l'appareil.
- ▶ **Ni jamais entretenir d'accus endommagés.** Toutes les opérations d'entretien sur des accus doivent exclusivement être réalisées par le fabricant ou un prestataire de service client agréé.

2.2 Consignes de sécurité supplémentaires spécifiques à la sertisseuse

Sécurité des personnes

- ▶ Utiliser le produit et les accessoires uniquement s'ils sont en parfait état.
- ▶ Ne jamais entreprendre de manipulation ni de modification sur le produit et les accessoires.
- ▶ Avant d'utiliser la sertisseuse, il faut mettre hors tension tous les éléments actifs, c'est-à-dire les éléments conducteurs de courant qui se trouvent dans l'environnement de travail de l'opérateur. Si ce n'est pas possible, prendre des mesures de protection appropriées pour travailler à proximité de composants sous tension électrique.
- ▶ Toujours garder les ouïes d'aération dégagées. Risque de brûlures si les ouïes d'aération sont couvertes !
- ▶ Pendant l'utilisation du produit, porter des lunettes de protection, un casque de protection et un casque antibruit.
- ▶ La poussière générée par le meulage, le ponçage, le tronçonnage et le forage peut contenir des produits chimiques dangereux. Par exemple : plomb ou peinture à base de plomb ; brique, béton et autres produits de maçonnerie, pierre naturelle et autres produits contenant des silicates ; certains bois, tels que le chêne, le hêtre et le bois traité chimiquement ; amiante ou matériaux contenant de l'amiante. Déterminer l'exposition de l'opérateur et personnes se trouvant dans l'entourage en fonction de la classe de danger des matériaux traités. Prendre les mesures nécessaires pour maintenir l'exposition à un niveau sûr, par exemple en utilisant un système de collecte des poussières ou en portant une protection respiratoire appropriée. Mesures générales visant à réduire l'exposition :
 - ▶ Travailler dans un endroit bien ventilé
 - ▶ Éviter le contact prolongé avec la poussière



- ▶ Faire en sorte que la poussière soit dirigée loin du visage et du corps
- ▶ Porter des vêtements de protection et laver les zones exposées à l'eau et au savon
- ▶ Faire régulièrement des pauses et des exercices pour favoriser l'irrigation sanguine dans les doigts. En cas de travaux prolongés, les fortes vibrations peuvent perturber la circulation dans les vaisseaux sanguins ou le système nerveux dans les doigts, les mains ou le poignet.
- ▶ Ne pas fixer l'éclairage (LED) du produit et ne pas projeter la lumière dans le visage d'autres personnes. Il y a un risque d'éblouissement.
- ▶ Ne jamais compresser des tubes dans un réseau de gaz sans y avoir été expressément autorisé par le fournisseur du système pour une utilisation de cet outil et de raccords spéciaux contrôlés.
- ▶ S'assurer que la goupille de verrouillage est complètement insérée et bien encliquetée.
- ▶ Positionner le tube de protection contre le coincement ou l'écrasement des doigts après avoir monté les mors à sertir / d'adaptateur de sorte qu'il y ait un interstice aussi petit que possible entre les mors à sertir / d'adaptateur et la tête de sertissage.
- ▶ Veiller à ce qu'aucun corps étranger (par ex. crêpi, résidus de pierre, copeaux métalliques, etc.) ne se trouve dans les mors à sertir et vérifier l'absence de dommages. Il ne faut plus utiliser les mors à sertir s'ils sont endommagés ou tordus !
- ▶ Porter l'appareil uniquement par la poignée et seulement avec des mains sèches. Des mains/doigts gras ou poisseux peuvent faire glisser l'appareil et provoquer sa chute.
- ▶ **Vérifier que la sertisseuse et les mors à sertir NPR PS ou les anneaux de sertissage NPR PR sont conformes aux prescriptions avant d'entamer le travail.** Des appareils, mors ou anneaux mal contrôlés peuvent entraîner des défauts de sertissage et représentent un risque pour la sécurité de l'opérateur. Les sertisseuses doivent être soumises à une inspection après 15.000 sertissages ou au moins une fois par an effectuée par le S.A.V. **Hilti**. Les mors et anneaux de serrage doivent être confiés une fois par an au S.A.V. **Hilti** pour l'entretien.
- ▶ Procéder ensuite à un contrôle d'étanchéité sur le système de tuyaux comprimé afin d'écarter tout défaut d'étanchéité (par ex. en raison de mauvaises utilisations).
- ▶ Risque de blessures dues à la chute d'outils et/ou d'accessoires. Avant de commencer à travailler, contrôler si l'accu et l'accessoire monté sont solidement fixés.
- ▶ Ne pas monter de mousqueton de ceinture sur ce produit.

Sécurité relative au système électrique

- ▶ Avant d'utiliser l'appareil, il faut mettre hors tension tous les éléments actifs, c'est-à-dire les éléments conducteurs de courant qui se trouvent dans l'environnement de travail de l'opérateur. Si ce n'est pas possible, prendre des mesures de protection appropriées pour travailler à proximité de composants sous tension électrique.
- ▶ Ne jamais sertir des éléments sous tension électrique. L'appareil étant considéré comme non isolé, il faut par conséquent l'utiliser avec un équipement de protection individuel (gants, chaussures, vêtements, etc.) apte à protéger l'utilisateur ainsi que toute personne se trouvant à proximité.

Utilisation et emploi soigneux des outils électroportatifs

- ▶ Tous les 50 sertissages environ, mettre l'outil hors tension et faire une pause de 15 min environ pour le laisser refroidir. Toute surchauffe risque d'endommager l'appareil.

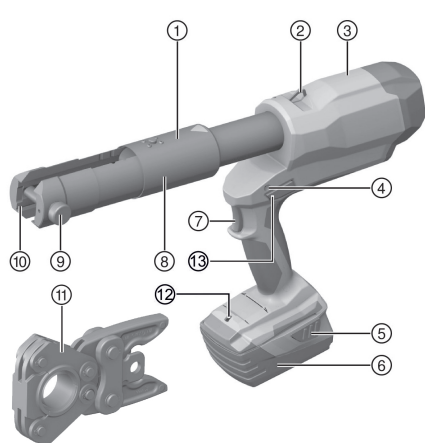
2.3 Utilisation et emploi soigneux des accus

- ▶ Respecter les directives spécifiques relatives au transport, au stockage et à l'utilisation des accus Li-Ion.
- ▶ Ne pas exposer les accus à des températures élevées, ni au rayonnement direct du soleil ni au feu.
- ▶ Les accus ne doivent pas être démontés, écrasés, chauffés à une température supérieure à 80 °C (176 °F) ou jetés au feu.
- ▶ Ne jamais utiliser ni charger d'accus qui ont subi un choc électrique, qui sont tombés de plus d'un mètre ou qui ont été endommagés d'une manière quelconque. Si tel est le cas, il convient de contacter le **S.A.V. Hilti**.
- ▶ Si l'accu est trop chaud pour être touché, il est probablement défectueux. Placer l'accu dans un endroit bien visible, non inflammable et suffisamment éloigné de matériaux inflammables. Laisser l'accu refroidir. Si, après une heure, l'accu est toujours trop chaud pour être saisi, c'est qu'il est défectueux. Contacter le **S.A.V. Hilti**.



3 Description

3.1 Vue d'ensemble du produit



- ① Tête de sertissage
- ② Fourreau
- ③ Boîtier
- ④ Témoin d'avertissement et de défauts (LED rouge)
- ⑤ Déverrouillage d'accu
- ⑥ Accu
- ⑦ Variateur électronique de vitesse
- ⑧ Tube de protection pour le réglage (raccourcissement/rallonge) de la course de l'appareil
- ⑨ Goupille de verrouillage pour l'ouverture / fermeture de la tête de l'appareil
- ⑩ Fixation de mors à sertir
- ⑪ Anneau de sertissage avec mors adaptateurs
- ⑫ LED blanche d'éclairage de la zone de travail
- ⑬ Interrupteur à rappel automatique pour le recul manuel

3.2 Utilisation conforme à l'usage prévu

Le produit décrit est une sertisseuse électrohydraulique sans fil.

Il est destiné au sertissage des raccords de tubes en alliage, cuivre (Cu) et acier.

- Pour ce produit, utiliser exclusivement les accus Li-Ion **Hilti** de la série B 22.
- Pour ces accus, n'utiliser que des chargeurs homologués par **Hilti**. Vous trouverez de plus amples informations dans votre **Hilti Store** ou à l'adresse : www.hilti.group

3.3 Mauvaise utilisation possible

- Le produit à guidage manuel ne doit pas être encastré à des fins d'utilisation stationnaire.
- La sertisseuse électrohydraulique ne doit pas être utilisée en cas de forte pluie ou sous l'eau.

3.4 Affichage de l'état des accus Li-Ion

L'état de charge de l'accu Li-Ion ainsi que les dysfonctionnements du produit sont signalés par le biais de l'affichage de l'accu Li-Ion. L'état de charge de l'accu Li-Ion peut être visualisé en appuyant légèrement sur l'un des deux boutons de déverrouillage.

État	Signification
4 LED allumées.	État de charge : 75 % à 100 %
3 LED allumées.	État de charge : 50 % à 75 %
2 LED allumées.	État de charge : 25 % à 50 %
1 LED allumée.	État de charge : 10 % à 25 %
1 LED clignote.	État de charge : < 10 %

Il n'est pas possible d'interroger l'indicateur de l'état de charge lorsque le variateur électronique de vitesse est actionné et jusqu'à 5 secondes après avoir relâché le variateur électronique de vitesse. Si les LED de l'affichage de l'accu clignotent, se reporter au chapitre Aide au dépannage.

3.5 Éléments livrés

Sertisseuse, mode d'emploi.

D'autres produits système pour votre produit peuvent être trouvés dans votre **Hilti Store** ou à l'adresse : www.hilti.group



4 Caractéristiques techniques

	NPR 032 PE-A22
Tension de référence	21,6 V
Poids (accu inclus) B22/8.0	4,9 kg (10,8 lb)
Force de sertissage max.	32 kN (7.194 lb.)
Temps de sertissage	≈ 7 s
Température de stockage	-20 °C ... 70 °C (-4 °F ... 158 °F)
Température de service en cours de service	-17 °C ... 60 °C (1 °F ... 140 °F)

4.1 Batterie

Tension nominale de l'accu	21,6 V
Température ambiante	-10 °C ... 60 °C (14 °F ... 140 °F)
Température de stockage	-20 °C ... 40 °C (-4 °F ... 104 °F)

5 Utilisation

5.1 Préparatifs

AVERTISSEMENT

Risque de blessures du fait d'une mise en marche inopinée !

- ▶ Avant d'insérer l'accu, s'assurer que le produit correspondant est bien sur arrêt.
- ▶ Retirer le bloc-accu, avant d'effectuer des réglages sur l'appareil ou de changer les accessoires.

Bien respecter les consignes de sécurité et les avertissements de la présente documentation ainsi que celles figurant sur le produit.

5.2 Recharge de l'accu

1. Avant de commencer la charge, lire le mode d'emploi du chargeur.
2. Veiller à ce que les contacts de l'accu et du chargeur sont propres et secs.
3. Charger l'accu à l'aide d'un chargeur homologué. 19

5.3 Introduction de l'accu

AVERTISSEMENT

Risque de blessures du fait d'un court-circuit ou de la chute de l'accu !

- ▶ Avant d'insérer l'accu dans l'appareil, s'assurer que les contacts de l'accu et les contacts sur le produit sont exempts de corps étrangers.
- ▶ S'assurer que l'accu s'encliquette toujours correctement.

1. L'accu doit être entièrement chargé avant la première mise en service.
2. Introduire l'accu dans le produit jusqu'à ce qu'il s'enclenche de manière audible.
3. Vérifier que l'accu est bien en place.

5.4 Retrait de l'accu

1. Appuyer sur les boutons de déverrouillage de l'accu.
2. Retirer l'accu hors de l'appareil.



5.5 Réglage de la course

5.5.1 Réglage du raccourcissement de la course

AVERTISSEMENT

Risque de blessures ! Mise en marche inopinée du produit.

- ▶ Enlever l'accu avant d'introduire les mors à sertir.



Selon la taille des mors à sertir utilisés, la course de la sertisseuse peut être raccourcie ou rallongée.

1. Mettre en place les mors à sertir.
2. Remettre la batterie en place.
3. Actionner le variateur électronique de vitesse jusqu'à ce que le piston se trouve juste avant le contact avec les mors à sertir.
4. Relâcher le variateur électronique de vitesse.
 - ▶ Le piston s'arrête.
5. Appuyer sur l'ergot sur le tube de protection.
6. Pousser le tube de protection dans la position souhaitée jusqu'à ce que l'ergot s'encliquette.
 - ▶ Le piston recule alors seulement jusqu'à la position choisie.

5.5.2 Réglage de la rallonge de course

AVERTISSEMENT

Risque de blessures ! Mise en marche inopinée du produit.

- ▶ Enlever l'accu avant d'introduire les mors à sertir.

1. Mettre en place les mors à sertir.
2. Remettre la batterie en place.
3. Appuyer sur l'ergot sur le tube de protection.
4. Pousser le tube de protection dans la position souhaitée jusqu'à ce que l'ergot s'encliquette.
 - ▶ En réappuyant sur l'interrupteur à rappel automatique, le piston recule jusqu'à la position choisie.

5.5.3 Tableau Pos./Course

Pos.	Course	Système de sertissage	Tailles	Adaptateur
1	40 mm	ProPress (PP)	1/2 in ... 2 in	—
			2 1/2 in ... 4 in	NPR PA 5
		MegaPress (MP)	1/2 in ... 1 in	—
			1 1/4 in ... 2 in	NPR PA 2
2	80 mm	MegaPress (MP)	2 1/2 in ... 4 in	NPR PA 3
3	100 mm	Application industrielle		

5.6 Mise en place des mors à sertir

AVERTISSEMENT

Risque de blessures ! Mise en marche inopinée du produit.

- ▶ Enlever l'accu avant d'introduire / remplacer / retirer les mors à sertir.



Ne jamais actionner la sertisseuse sans mors à sertir !

Pour assurer un sertissage approprié ainsi que la sécurité d'utilisation et de fonctionnement, utiliser exclusivement des mors à sertir homologués pour le produit par le fournisseur de système et/ou constructeur de machines.

1. Enlever l'accu et choisir les mors à sertir appropriés.
2. Appuyer sur la goupille de verrouillage.
3. Tourner la goupille de verrouillage dans le sens inverse des aiguilles d'une montre jusqu'en butée.



4. Retirer la goupille de verrouillage.
5. Mettre en place les mors à sertir.
6. Insérer la goupille de verrouillage jusqu'à ce qu'elle s'encliquette.
7. Tourner la tête de sertissage dans la position de travail souhaitée.



À l'état hors pression, la tête de sertissage est nettement plus facile à tourner.

5.7 Retrait des mors à sertir



AVERTISSEMENT

Risque de blessures ! Mise en marche inopinée du produit.

- ▶ Enlever l'accu avant d'introduire / remplacer / retirer les mors à sertir.

1. Enlever l'accu, tourner la tête de sertissage dans la position initiale.
2. Appuyer sur la goupille de verrouillage.
3. Tourner la goupille de verrouillage dans le sens inverse des aiguilles d'une montre jusqu'en butée.
4. Retirer la goupille de verrouillage.
5. Enlever les mors à sertir vers l'avant hors du produit.

5.8 Mise en place de l'anneau de sertissage et des mors adaptateurs



AVERTISSEMENT

Risque de blessures ! Mise en marche inopinée du produit.

- ▶ Enlever l'accu avant d'introduire / remplacer / retirer les mors à sertir.



Pour assurer un sertissage approprié ainsi que la sécurité d'utilisation et de fonctionnement, utiliser exclusivement des anneaux à sertir homologués pour le produit par le fournisseur de système et/ou constructeur de machines.

1. Retirer l'accu.
2. Appuyer sur la goupille de verrouillage.
3. Tourner la goupille de verrouillage dans le sens inverse des aiguilles d'une montre jusqu'en butée.
4. Retirer la goupille de verrouillage.
5. Mettre en place les mors adaptateurs.
6. Insérer la goupille de verrouillage jusqu'à ce qu'elle s'encliquette.
7. Placer l'anneau de sertissage sur le raccord à sertir.
8. Fermer l'anneau de sertissage.

5.9 Retrait de l'anneau de sertissage et des mors adaptateurs



AVERTISSEMENT

Risque de blessures ! Mise en marche inopinée du produit.

- ▶ Enlever l'accu avant d'introduire / remplacer / retirer les mors à sertir.

1. Ouvrir l'anneau de sertissage.
2. Enlever l'anneau de sertissage.
3. Retirer l'accu.
4. Appuyer sur la goupille de verrouillage.
5. Tourner la goupille de verrouillage dans le sens inverse des aiguilles d'une montre jusqu'en butée.
6. Retirer la goupille de verrouillage.
7. Sortir les mors adaptateurs vers l'avant hors du produit.



5.10 Sécurité anti-chute

AVERTISSEMENT

Risque de blessures en cas de chute de l'outil et/ou des accessoires !

- ▶ Utiliser uniquement la longe porte-outil **Hilti** recommandée pour votre produit.
- ▶ Contrôler l'état du point de fixation de la longe porte-outil avant chaque utilisation.



Respecter les directives nationales en vigueur pour les travaux en hauteur.

Comme protection anti-chute pour ce produit, utiliser exclusivement la longe porte-outil **Hilti** #2261971.

- ▶ Fixer la longe porte-outil au produit avec la boucle, comme illustré. Vérifier qu'elle tient bien.
- ▶ Fixer le mousqueton à une structure porteuse. Vérifier que le mousqueton tient bien.



Respecter le mode d'emploi de la longe porte-outil **Hilti**.

5.11 Réalisation d'un sertissage

AVERTISSEMENT

Danger ! Risque de fuite de gaz par compression dans le réseau de conduites de gaz !

- ▶ Ne jamais compresser des tubes dans le réseau de conduites de gaz sans y avoir été expressément autorisé par le fournisseur de système pour une utilisation de cet outil et des raccords spéciaux contrôlés.

AVERTISSEMENT

Risque de blessure dû à une orientation incorrecte des mors adaptateurs et de l'anneau de sertissage.

Les mors adaptateurs et/ou l'anneau de sertissage peuvent se transformer en projectile et provoquer de graves blessures de l'utilisateur ou d'une personne se tenant à proximité.

- ▶ Les mors adaptateurs et l'anneau de sertissage doivent être correctement orientés pendant toute la durée de l'opération de sertissage.

ATTENTION

Dompage matériel dû à une mauvaise manipulation ! La sertisseuse et/ou les anneaux de sertissage peuvent être endommagés par une mauvaise manipulation.

- ▶ S'assurer que les anneaux de sertissage, les mors adaptateurs/de sertissage et la molette d'actionnement (le cas échéant) sont exempts de poussière et bien lubrifiés avant de commencer à travailler.
- ▶ Lubrifier les anneaux de sertissage, les mors adaptateurs/de sertissage et la molette d'actionnement (le cas échéant) avec du « lubrifiant et spray anticorrosion » (#308976) avant de commencer à travailler.
- ▶ Tenir compte du mode d'emploi d'origine du fabricant pour les anneaux de sertissage.



Par temps froids, l'huile hydraulique peut s'épaissir et ralentir l'opération de sertissage. Réaliser 5 à 10 opérations de sertissage à vide pour réchauffer la sertisseuse.

1. Actionner le variateur électronique de vitesse et le maintenir enfoncé jusqu'à fermeture complète des mors à sertir.



2. En cas d'utilisation d'un anneau de sertissage, appuyer le produit avec les mors adaptateurs sur l'anneau de sertissage puis procéder à l'opération de sertissage.



Une condition indispensable pour un sertissage étanche durable est de fermer complètement les mors à sertir pour terminer l'opération de sertissage.

Les raccords pour lesquels l'opération de sertissage a été prématurément interrompue doivent être démontés ou l'opération doit être renouvelée dans la mesure du possible.

6 Nettoyage et entretien



AVERTISSEMENT

Risque de blessure si l'entretien n'est pas effectué !

- ▶ Un entretien est nécessaire au bout de 15 000 cycles ou de 1 an et doit être effectué par un Hilti Service Center agréé. Un entretien régulier négligé peut entraîner des risques importants pour la sécurité de l'opérateur et/ou des accouplements sertis défectueux.



AVERTISSEMENT

Risque de blessures lorsque l'accu est inséré !

- ▶ Toujours retirer l'accu avant tous travaux de nettoyage et d'entretien !

Entretien du produit

- Éliminer avec précaution les saletés récalcitrantes.
- Le cas échéant, nettoyer soigneusement les ouïes d'aération à l'aide d'une brosse sèche et douce.
- Nettoyer le carter de l'appareil uniquement avec un chiffon légèrement humide. Ne pas utiliser de nettoyeurs à base de silicone car ceci pourrait attaquer les pièces en plastique.
- Utiliser un chiffon propre et sec pour nettoyer les contacts du produit.

Entretien des accus Li-ion

- Ne jamais utiliser un accu dont les ouïes d'aération sont bouchées. Nettoyer soigneusement les ouïes d'aération à l'aide d'une brosse sèche et douce.
- Éviter d'exposer inutilement l'accu à la poussière ou à la saleté. Ne jamais exposer l'accu à une forte humidité (par exemple en l'immergeant dans de l'eau ou en le laissant sous la pluie).
Si l'accu a été trempé, le traiter comme un accu endommagé. L'isoler dans un récipient ininflammable et s'adresser au S.A.V. **Hilti**.
- Veiller à ce que l'accu soit toujours exempt de traces de graisse et d'huile étrangères. Ne pas laisser de la poussière ou de la saleté s'accumuler inutilement sur l'accu. Nettoyer l'accu avec une brosse sèche et douce ou un chiffon propre et sec. Ne pas utiliser de nettoyeurs à base de silicone car ceci pourrait attaquer les pièces en plastique.
Ne pas toucher les contacts de l'accu et ne pas enlever la graisse appliquée en usine sur les contacts.
- Nettoyer le carter de l'appareil uniquement avec un chiffon légèrement humide. Ne pas utiliser de nettoyeurs à base de silicone car ceci pourrait attaquer les pièces en plastique.

Entretien



AVERTISSEMENT

Risque d'électrocution ! Des réparations inappropriées sur des composants électriques peuvent entraîner de graves blessures corporelles et brûlures.

- ▶ Toute réparation des pièces électriques ne doit être effectuée que par un électricien qualifié.
- Vérifier régulièrement qu'aucune pièce visible n'est endommagée et que les organes de commande sont parfaitement opérationnels.
- Ne pas utiliser le produit en cas d'endommagements et/ou de dysfonctionnements. Faire immédiatement réparer le produit par le S.A.V. **Hilti**.
- Après des travaux de nettoyage et d'entretien, vérifier si tous les équipements de protection sont bien en place et fonctionnent parfaitement.



Pour une utilisation en toute sécurité, utiliser uniquement des pièces de rechange, consommables et accessoires d'origine. Vous trouverez les pièces de rechange, consommables et accessoires autorisés par **Hilti** convenant pour votre produit dans le centre **Hilti Store** ou sous : www.hilti.group



7 Transport et stockage des outils sur accu et des accus

Transport

ATTENTION

Mise en marche inopinée lors du transport !

- ▶ Toujours retirer les accus avant de transporter les produits !
- ▶ Retirer le ou les accus.
- ▶ Ne jamais transporter les accus en vrac. Pendant le transport, les accus doivent être protégés des vibrations et chocs excessifs, isolés de tout matériau conducteur ou autre accu, pour éviter qu'ils n'entrent en contact avec d'autres pôles de batterie et qu'ils provoquent un court-circuit. **Tenir compte des prescriptions locales pour le transport d'accus.**
- ▶ Ne pas envoyer les accus par la poste. S'adresser à un service d'expédition s'il faut envoyer des accus non endommagés.
- ▶ Contrôler l'état du produit et des accus avant chaque utilisation, ainsi qu'avant et après tout transport prolongé.

Stockage

AVERTISSEMENT

Endommagement involontaire du fait d'accus défectueux ou de chute d'accu !

- ▶ Toujours retirer les accus avant de stocker les produits !
- ▶ Stocker si possible le produit et les accus dans un endroit sec et frais. Respecter les valeurs limites de température indiquées dans les caractéristiques techniques.
- ▶ Ne pas stocker les accus sur le chargeur. Retirer toujours l'accu du chargeur après la charge.
- ▶ Ne jamais stocker les accus exposés au soleil, sur des sources de chaleur ou derrière des vitres.
- ▶ Stocker le produit et les accus à l'abri des enfants et des personnes non autorisées.
- ▶ Contrôler l'état du produit et des accus avant chaque utilisation, ainsi qu'avant et après tout stockage prolongé.

8 Aide au dépannage

En cas de défaillances non énumérées dans ce tableau ou auxquelles il n'est pas possible de remédier sans aide, contacter le S.A.V. **Hilti**.

8.1 Sertisseuse pas en état de fonctionner

Défaillance	Causes possibles	Solution
Les LED sur l'accu n'indiquent rien.	L'accu n'est pas complètement encliqueté.	▶ Encliqueter l'accu d'un « double-clic ».
	Décharger l'accu.	▶ Remplacer l'accu et charger l'accu vide.
	Accu trop chaud ou trop froid.	▶ Laisser l'accu refroidir ou amener l'accu à la température ambiante.
1 LED clignote sur l'accu.	Décharger l'accu.	▶ Remplacer l'accu et charger l'accu vide.
	Accu trop chaud ou trop froid.	▶ Laisser l'accu refroidir ou amener l'accu à la température ambiante.
4 LED clignotent sur l'accu.	Surcharge momentanée du produit.	▶ Laisser le produit refroidir.
LED rouge => Allumé en continu avec signal d'avertissement.	Problème technique.	▶ Probable erreur d'application ! Contacter le S.A.V. Hilti .
LED rouge => Bref clignotement avec signal d'avertissement.	L'état de charge de l'accu est trop faible pour pouvoir mener à bien une application complète.	▶ Remplacer l'accu et charger l'accu vide.



Défaillance	Causes possibles	Solution
LED rouge => Allumé brièvement sans signal d'avertissement.	Surchauffe du produit.	▶ Laisser le produit refroidir.

8.2 Sertisseuse en état de fonctionner

Défaillance	Causes possibles	Solution
L'accu se vide plus rapidement que d'habitude.	Température ambiante très basse.	▶ Laisser l'accu se réchauffer lentement à la température ambiante.
L'accu ne s'encliquette pas avec un « double-clic » audible.	Ergots d'encliquetage encrassés sur l'accu.	▶ Nettoyer les ergots d'encliquetage et réencliqueter l'accu dans son logement.
LED rouge => Long clignotement avec signal d'avertissement.	Pression d'appui non atteinte (erreur d'application).	▶ Veiller au bon fonctionnement et contrôler au besoin le sertissage.
LED rouge => Allumé en continu avec signal d'avertissement.	Problème technique.	▶ Probable erreur d'application ! Contacter le S.A.V. Hilti .
LED rouge => Allumé en continu sans signal d'avertissement.	Entretien du produit requis.	▶ Contacter le S.A.V. Hilti .

9 Recyclage

AVERTISSEMENT

Risque de blessures en cas d'élimination incorrecte ! Émanations possibles de gaz et de liquides nocives pour la santé.

- ▶ Ne pas envoyer ni expédier d'accus endommagés !
- ▶ Recouvrir les raccordements avec un matériau non conducteur pour éviter tout court-circuit.
- ▶ Éliminer les accus en veillant à ce qu'ils soient hors de la portée des enfants.
- ▶ Éliminer l'accu en le déposant auprès du **Hilti Store** local ou s'adresser à l'entreprise de collecte des déchets compétente.

Les produits **Hilti** sont fabriqués pour une grande partie en matériaux recyclables. Le recyclage présuppose un tri adéquat des matériaux. **Hilti** reprend les appareils usagés dans de nombreux pays en vue de leur recyclage. Consulter le service clients **Hilti** ou un conseiller commercial.



- ▶ Ne pas jeter les appareils électriques, électroniques et accus dans les ordures ménagères !

10 Garantie constructeur

- ▶ En cas de questions sur les conditions de garantie, veuillez vous adresser à votre partenaire **Hilti** local.

Manual de instrucciones original

1 Información sobre el manual de instrucciones

1.1 Acerca de este manual de instrucciones

- **¡Atención!** Asegúrese de haber leído y entendido toda la documentación adjunta, incluidas, entre otras, las instrucciones, advertencias de seguridad, ilustraciones y especificaciones que se proporcionan con este producto. Familiarícese con todas las instrucciones, advertencias de seguridad, ilustraciones, especificaciones, componentes y funciones del producto antes de utilizarlo. De lo contrario, existe peligro



de descarga eléctrica, incendio y/o lesiones graves. Conserve todas las advertencias e instrucciones para futuras consultas.

- Los productos han sido diseñados para usuarios profesionales y solo personal autorizado y debidamente formado puede utilizarlos y llevar a cabo su mantenimiento y conservación. Este personal debe estar especialmente instruido en lo referente a los riesgos de uso. La utilización del producto y sus dispositivos auxiliares puede conllevar riesgos para el usuario en caso de manejarse de forma inadecuada por personal no cualificado o utilizarse para usos diferentes a los que están destinados.
- La documentación adjunta corresponde al estado actual de la técnica en el momento de la impresión. Compruebe siempre la última versión en la página del producto de la página web de Hilti. Para ello siga el enlace o escanee el código QR que figura en esta documentación y que se indica con el símbolo .
- No entregue nunca el producto a otras personas sin este manual de instrucciones.

1.2 Explicación de símbolos

1.2.1 Avisos

Las advertencias de seguridad advierten de peligros derivados del manejo del producto. Se utilizan las siguientes palabras de peligro:

PELIGRO

PELIGRO !

- ▶ Término utilizado para un peligro inminente que puede ocasionar lesiones graves o incluso la muerte.

ADVERTENCIA

ADVERTENCIA !

- ▶ Término utilizado para un posible peligro que puede ocasionar lesiones graves o incluso la muerte.

PRECAUCIÓN

PRECAUCIÓN !

- ▶ Término utilizado para una posible situación peligrosa que puede ocasionar lesiones o daños materiales.

1.2.2 Símbolos en el manual de instrucciones

En este manual de instrucciones se utilizan los siguientes símbolos:

	Consulte el manual de instrucciones
	Indicaciones de uso y demás información de interés
	Manejo con materiales reutilizables
	No tire las herramientas eléctricas y las baterías junto con los desperdicios domésticos
	Hilti Batería de Ion-Litio
	Hilti Cargador

1.2.3 Símbolos en las figuras

En las figuras se utilizan los siguientes símbolos:

	Estos números hacen referencia a la figura correspondiente incluida al principio de este manual de instrucciones.
	La numeración describe el orden de los pasos de trabajo en la imagen y puede ser diferente de los pasos descritos en el texto.
	En la figura Vista general se utilizan números de posición y los números de la leyenda están explicados en el apartado Vista general del producto .
	Preste especial atención a este símbolo cuando utilice el producto.



1.3 Símbolos del producto

1.3.1 Símbolos en el producto

En el producto se pueden utilizar los siguientes símbolos:

	Peligro de aplastamiento.
	Corriente continua
	La herramienta admite la tecnología NFC, compatible con plataformas iOS y Android.
Li-Ion	Batería de Ion-Litio
	Serie de baterías de Ion-Litio Hilti utilizada. Consulte las indicaciones recogidas en el capítulo Uso conforme a las prescripciones .
	Nunca utilice la batería como herramienta de percusión.
	No deje que la batería se caiga. No utilice baterías que hayan recibido algún golpe ni que estén dañadas de alguna otra forma.
	Serie de baterías de Ion-Litio Hilti utilizada. Consulte las indicaciones recogidas en el capítulo Uso conforme a las prescripciones .
	Si está en el producto, significa que el organismo de certificación lo ha certificado para el mercado estadounidense y canadiense según las normas vigentes.

1.4 Información del producto

Los productos han sido diseñados para usuarios profesionales y solo personal autorizado y debidamente formado puede utilizarlos y llevar a cabo su mantenimiento y conservación. Este personal debe estar especialmente instruido en lo referente a los riesgos de uso. La utilización del producto y sus dispositivos auxiliares puede conllevar riesgos para el usuario en caso de manejarse de forma inadecuada por personal no cualificado o utilizarse para usos diferentes a los que están destinados.

La denominación del modelo y el número de serie están indicados en la placa de identificación.

- Escriba el número de serie en la siguiente tabla. Necesitará los datos del producto para realizar consultas a nuestros representantes o al Departamento de Servicio Técnico.

Datos del producto

Prensadora	NPR 032 PE-A22
Generación	01
N.º de serie	

1.5 Declaración de conformidad

Bajo nuestra exclusiva responsabilidad, declaramos que el producto aquí descrito cumple con las directivas y normas vigentes. Encontrará una reproducción del organismo certificador al final de esta documentación. La documentación técnica se encuentra depositada aquí:

Hilti Entwicklungsgesellschaft mbH | Zulassung Geräte | Hiltistraße 6 | 86916 Kaufering, DE

2 Seguridad

2.1 Indicaciones generales de seguridad para herramientas eléctricas

ADVERTENCIA Lea con atención todas las indicaciones de seguridad, instrucciones, ilustraciones y datos técnicos correspondientes a esta herramienta eléctrica. La negligencia en el cumplimiento de las instrucciones que se describen a continuación podría provocar descargas eléctricas, incendios o lesiones graves.

Conserve todas las instrucciones e indicaciones de seguridad para futuras consultas.

El término «herramienta eléctrica» empleado en las indicaciones de seguridad se refiere a herramientas eléctricas portátiles, ya sea con cable de red o sin cable, en caso de ser accionadas por batería.



Seguridad en el puesto de trabajo

- ▶ **Mantenga su área de trabajo limpia y bien iluminada.** El desorden o una iluminación deficiente de las zonas de trabajo pueden provocar accidentes.
- ▶ **No utilice la herramienta eléctrica en un entorno con peligro de explosión en el que se encuentren líquidos, gases o polvos inflamables.** Las herramientas eléctricas producen chispas que pueden llegar a inflamar los materiales en polvo o vapores.
- ▶ **Mantenga alejados a los niños y otras personas de su puesto de trabajo al emplear la herramienta eléctrica.** Una distracción le puede hacer perder el control sobre la herramienta.

Seguridad eléctrica

- ▶ **El enchufe de la herramienta eléctrica debe corresponder a la toma de corriente utilizada. No se deberá modificar el enchufe en forma alguna. No utilice enchufes adaptadores para las herramientas eléctricas con puesta a tierra.** Los enchufes sin modificar adecuados a las respectivas tomas de corriente reducen el riesgo de descarga eléctrica.
- ▶ **Evite el contacto corporal con superficies que tengan puesta a tierra, como pueden ser tubos, calefacciones, cocinas y frigoríficos.** El riesgo a quedar expuesto a una sacudida eléctrica es mayor si su cuerpo tiene contacto con tierra.
- ▶ **No exponga las herramientas eléctricas a la lluvia y evite que penetren líquidos en su interior.** El riesgo de recibir descargas eléctricas aumenta si penetra agua en la herramienta eléctrica.
- ▶ **No utilice el cable de conexión para transportar o colgar la herramienta eléctrica ni tire de él para extraer el enchufe de la toma de corriente. Mantenga el cable de conexión alejado de fuentes de calor, aceite, aristas afiladas o piezas móviles.** Los cables de conexión dañados o enredados pueden provocar descargas eléctricas.
- ▶ **Cuando trabaje al aire libre con una herramienta eléctrica, utilice exclusivamente un alargador adecuado para exteriores.** La utilización de un alargador adecuado para su uso en exteriores evita el riesgo de una descarga eléctrica.
- ▶ **Cuando no pueda evitarse el uso de la herramienta eléctrica en un entorno húmedo, utilice un interruptor de corriente de defecto.** La utilización de un interruptor de corriente de defecto evita el riesgo de una descarga eléctrica.

Seguridad de las personas

- ▶ **Permanezca atento, preste atención durante el trabajo y utilice la herramienta eléctrica con prudencia. No utilice una herramienta eléctrica si está cansado, ni tampoco después de haber consumido alcohol, drogas o medicamentos.** Un momento de descuido al utilizar la herramienta eléctrica podría producir graves lesiones.
- ▶ **Utilice el equipo de seguridad personal adecuado y lleve siempre gafas protectoras.** El riesgo de lesiones se reduce considerablemente si, según el tipo y la aplicación de la herramienta eléctrica empleada, se utiliza un equipo de seguridad personal adecuado como una mascarilla antipolvo, zapatos de seguridad con suela antideslizante, casco de protección o protección para los oídos.
- ▶ **Evite una puesta en servicio fortuita de la herramienta. Asegúrese de que la herramienta eléctrica está apagada antes de alzarla, transportarla, conectarla a la toma de corriente o insertar la batería.** Si transporta la herramienta eléctrica sujetándola por el interruptor de conexión/desconexión o si introduce el enchufe en la toma de corriente con la herramienta conectada, podría producirse un accidente.
- ▶ **Retire las herramientas de ajuste o llaves fijas antes de conectar la herramienta eléctrica.** Una herramienta o llave colocada en una pieza giratoria puede producir lesiones al ponerse en funcionamiento.
- ▶ **Evite adoptar posturas forzadas. Procure que la postura sea estable y manténgase siempre en equilibrio.** De esta forma podrá controlar mejor la herramienta eléctrica en caso de presentarse una situación inesperada.
- ▶ **Utilice ropa adecuada. No utilice vestimenta amplia ni joyas. Mantenga su pelo, vestimenta y guantes alejados de las piezas móviles.** La vestimenta suelta, las joyas y el pelo largo se pueden enganchar con las piezas en movimiento.
- ▶ **Siempre que sea posible montar equipos de aspiración o captación de polvo, asegúrese de que están conectados y de que se utilizan correctamente.** El uso de un sistema de aspiración de polvo reduce los riesgos derivados del polvo.
- ▶ **No se crea a salvo de cualquier riesgo ni pase por alto ninguna de las normas de seguridad relativas a las herramientas eléctricas, aun cuando esté familiarizado con la herramienta eléctrica y tenga larga experiencia en su uso.** Una actuación negligente puede provocar lesiones graves en cuestión de segundos.



Uso y manejo de la herramienta eléctrica

- ▶ **No sobrecargue la herramienta. Utilice la herramienta eléctrica adecuada para el trabajo que se dispone a realizar.** Con la herramienta eléctrica apropiada podrá trabajar mejor y de modo más seguro dentro del margen de potencia indicado.
- ▶ **No utilice herramientas eléctricas con el interruptor defectuoso.** Las herramientas eléctricas que no se puedan conectar o desconectar son peligrosas y deben repararse.
- ▶ **Extraiga el enchufe de la toma de corriente o retire la batería extraíble antes de efectuar cualquier ajuste en la herramienta, cambiar accesorios o en caso de no utilizar la herramienta durante un tiempo prolongado.** Esta medida preventiva evita el riesgo de arranque accidental de la herramienta eléctrica.
- ▶ **Guarde las herramientas eléctricas que no utilice fuera del alcance de los niños. No permita utilizar la herramienta a ninguna persona que no esté familiarizada con ella o que no haya leído este manual de instrucciones.** Las herramientas eléctricas utilizadas por personas inexpertas son peligrosas.
- ▶ **Cuide su herramienta eléctrica y los accesorios adecuadamente. Compruebe si las piezas móviles de la herramienta funcionan correctamente y sin atascarse, y si existen piezas rotas o deterioradas que pudieran afectar al funcionamiento de la herramienta eléctrica. Encargue la reparación de las piezas defectuosas antes de usar la herramienta eléctrica.** Muchos accidentes son consecuencia de un mantenimiento inadecuado de la herramienta eléctrica.
- ▶ **Mantenga los útiles limpios y afilados.** Las herramientas de corte bien cuidadas y con aristas afiladas se atascan menos y se guían con más facilidad.
- ▶ **Utilice la herramienta eléctrica, los accesorios, útiles de inserción, etc., de acuerdo con estas instrucciones. Para ello, tenga en cuenta las condiciones de trabajo y la tarea que se va a realizar.** El uso de herramientas eléctricas para trabajos diferentes de aquellos para los que han sido concebidas puede resultar peligroso.
- ▶ **Mantenga las empuñaduras y las superficies de contacto secas, limpias y sin residuos de aceite o grasa.** Las empuñaduras y superficies de contacto resbaladizas impiden manejar y controlar la herramienta eléctrica con seguridad en situaciones imprevistas.

Uso y manejo de la herramienta de batería

- ▶ **Cargue las baterías únicamente con los cargadores recomendados por el fabricante.** Existe riesgo de incendio al intentar cargar baterías de un tipo diferente al previsto para el cargador.
- ▶ **Utilice únicamente las baterías previstas para la herramienta eléctrica.** El uso de otro tipo de baterías puede provocar daños e incluso incendios.
- ▶ **Si no utiliza la batería, guárdela separada de clips, monedas, llaves, clavos, tornillos y demás objetos metálicos que pudieran puentear sus contactos.** El cortocircuito de los contactos de la batería puede causar quemaduras o incendios.
- ▶ **La utilización inadecuada de la batería puede provocar fugas de líquido. Evite el contacto con este líquido. En caso de contacto accidental, enjuague el área afectada con abundante agua. En caso de contacto con los ojos, acuda además inmediatamente a un médico.** El líquido de la batería puede irritar la piel o producir quemaduras.
- ▶ **No utilice baterías dañadas o modificadas.** Una batería dañada o modificada puede tener un comportamiento imprevisible y provocar incendios, explosiones o riesgo de lesiones.
- ▶ **No exponga la batería al fuego o a temperaturas muy elevadas.** El fuego o las temperaturas superiores a 130 °C (265 °F) pueden provocar una explosión.
- ▶ **Siga todas las instrucciones relativas a la carga y no cargue nunca la batería o la herramienta de batería excediendo el rango de temperatura indicado en el manual de instrucciones.** Una carga incorrecta o fuera del rango de temperatura permitido puede destruir la batería y aumentar el riesgo de incendio.

Servicio Técnico

- ▶ **Solicite que un profesional lleve a cabo la reparación de su herramienta eléctrica y que utilice exclusivamente piezas de repuesto originales.** Solamente así se garantiza la seguridad de la herramienta.
- ▶ **No realice nunca el mantenimiento de baterías dañadas.** Cualquier mantenimiento de las baterías debe llevarlo a cabo el fabricante o un centro del Servicio de Atención al Cliente autorizado.

2.2 Indicaciones de seguridad adicionales de la herramienta de prensa

Seguridad de las personas

- ▶ Utilice el producto y los accesorios solo si están en perfecto estado técnico.
- ▶ No efectúe nunca manipulaciones o modificaciones en el producto.



- ▶ Antes de utilizar la prensadora, deben dejarse sin tensión todos los componentes activos (conductores de corriente) que se encuentren en el entorno de trabajo del usuario. Si esto no es posible, deben tomarse las correspondientes medidas de protección para trabajar cerca de componentes bajo tensión.
- ▶ Mantenga siempre las rejillas de ventilación despejadas. Riesgo de quemaduras debido a rejillas de ventilación cubiertas.
- ▶ Cuando utilice el producto, lleve protección para los ojos, casco de protección y protección para los oídos.
- ▶ El polvo que se genera al pulir, lijar, cortar y taladrar puede contener productos químicos peligrosos, como, por ejemplo, plomo o pinturas basadas en plomo; ladrillos, hormigón y otros productos de mampostería, piedra natural y otros productos que contengan silicatos; determinadas maderas, como el roble o el haya o las maderas tratadas químicamente, o amianto o materiales que contengan asbesto. La exposición del usuario y las personas circundantes debe regularse según la clase de peligro de los materiales con los que se trabaje. Tome las medidas necesarias para mantener la exposición a un nivel seguro, p. ej., mediante el uso de un sistema de recogida de polvo o una mascarilla adecuada. Las medidas genéricas para reducir la exposición son, entre otras:
 - ▶ trabajar en un espacio bien ventilado;
 - ▶ evitar el contacto prolongado con el polvo;
 - ▶ desviar el polvo de la cara y el cuerpo;
 - ▶ usar prendas protectoras y lavar con agua y jabón las zonas expuestas.
- ▶ Efectúe a menudo pausas y ejercicios para mejorar la circulación de los dedos. Tras muchas horas de trabajo expuesto a las vibraciones intensas, pueden surgir complicaciones en los vasos sanguíneos o en el sistema nervioso en dedos, manos o articulaciones de las manos.
- ▶ No mire directamente hacia la luz (LED) del producto y no apunte la luz a la cara de otras personas. Existe riesgo de deslumbramiento.
- ▶ Nunca realice prensados en las redes de distribución de gas, a menos que haya una aprobación explícita por parte del proveedor del sistema en relación con esta herramienta y los accesorios especialmente inspeccionados.
- ▶ Asegúrese de que el perno de bloqueo esté completamente introducido y bien encajado.
- ▶ Para proteger los dedos, coloque el tubo de protección tras haber insertado las mordazas adaptables/de prensa, de tal manera que la grieta entre estas y la toma (cabezal de prensado) sea lo más pequeña posible.
- ▶ Asegúrese de que no haya ningún cuerpo extraño (p. ej., enfoscado, restos de piedra, virutas metálicas, etc.) en las mordazas de prensa y de que no hay daños. Las mordazas de prensa dañadas o dobladas deben dejar de utilizarse.
- ▶ Transporte la herramienta agarrándola siempre por la empuñadura y con las manos secas. Si tiene las manos o los dedos grasientos, la herramienta podría resbalarse y caer.
- ▶ **Compruebe la prensadora y las mordazas de prensa NPR PS o los anillos de compresión NPR PR conforme a las indicaciones antes de llevar a cabo cualquier operación.** Las herramientas, mordazas o anillos que no se hayan inspeccionado correctamente pueden causar fallos en el prensado y representar un riesgo para la seguridad del usuario. El Servicio Técnico de **Hilti** se ocupará de la inspección de las prensadoras una vez se hayan realizado como máximo 15 000 prensados y, en cualquier caso, al menos una vez al año. El mantenimiento de las mordazas y los anillos de prensa deberá encargarse una vez al año al Servicio Técnico de **Hilti**.
- ▶ Lleve a cabo una prueba de presión en el sistema comprimido de tubos para verificar la estanqueidad y evitar fugas (por ejemplo, debido a fallos en la aplicación).
- ▶ - Riesgo de lesiones en caso de caída de herramientas o accesorios. Antes de iniciar el trabajo, compruebe que la batería y los accesorios montados estén bien fijados.
- ▶ No monte colgadores de cinturón en este producto.

Seguridad eléctrica

- ▶ Antes de utilizar la herramienta, deben dejarse sin tensión todos los componentes activos (conductores de corriente) que se encuentren en el entorno de trabajo del usuario. Si esto no es posible, deben tomarse las correspondientes medidas de protección para trabajar cerca de componentes bajo tensión.
- ▶ No preñe ningún componente que se encuentre bajo tensión. La herramienta no puede considerarse aislada y, por tanto, debe utilizarse junto con el equipo de seguridad personal (guantes de protección, zapatos de protección, prendas protectoras, etc.) apropiado para la protección propia y de las personas que se encuentren en el entorno de la herramienta.

Manipulación y utilización segura de las herramientas eléctricas

- ▶ Después de aprox. 50 prensados consecutivos, desconecte la herramienta eléctrica y déjela enfriar durante aprox. 15 minutos. El sobrecalentamiento puede producir daños en la herramienta.

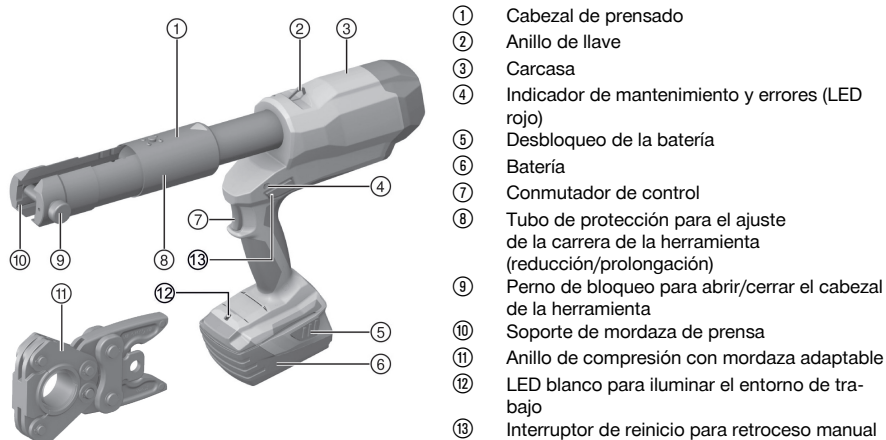


2.3 Manipulación y utilización segura de las baterías

- ▶ Tenga en cuenta las directivas especiales en materia de transporte, almacenamiento y manejo de las baterías de Ion-Litio.
- ▶ Mantenga las baterías alejadas de altas temperaturas, radiación solar directa y fuego.
- ▶ Las baterías no se deben destruir, comprimir, calentar por encima de 80 °C (176 °F) o quemar.
- ▶ No utilice ni cargue baterías que hayan recibido algún golpe, que hayan caído desde una altura superior a un metro o que estén dañadas de alguna otra forma. En este caso, póngase siempre en contacto con el **Hilti Servicio Técnico**.
- ▶ Si al tocar la batería detecta que está muy caliente, puede deberse a una avería en la misma. Coloque la batería en un lugar visible, no inflamable, a suficiente distancia de otros materiales inflamables. Deje que la batería se enfríe. Si, después de una hora, la herramienta sigue estando demasiado caliente para tocarla significa que está averiada. Póngase en contacto con el **Servicio Técnico de Hilti**.

3 Descripción

3.1 Vista general del producto



- ① Cabezal de prensado
- ② Anillo de llave
- ③ Carcasa
- ④ Indicador de mantenimiento y errores (LED rojo)
- ⑤ Desbloqueo de la batería
- ⑥ Batería
- ⑦ Conmutador de control
- ⑧ Tubo de protección para el ajuste de la carrera de la herramienta (reducción/prolongación)
- ⑨ Perno de bloqueo para abrir/cerrar el cabezal de la herramienta
- ⑩ Soporte de mordaza de prensa
- ⑪ Anillo de compresión con mordaza adaptable
- ⑫ LED blanco para iluminar el entorno de trabajo
- ⑬ Interruptor de reinicio para retroceso manual

3.2 Uso conforme a las prescripciones

El producto descrito es una prensadora electrohidráulica alimentada por batería.

Está diseñada para prensar piezas de empalme para la conexión de tuberías de material compuesto, cobre (Cu) o acero.

- Para este producto utilice únicamente las baterías de Ion-Litio de la serie B 22 de **Hilti**.
- Para estas baterías, utilice exclusivamente los cargadores suministrados por **Hilti**. Encontrará más información en la **Hilti Store** o en www.hilti.group

3.3 Posibles usos indebidos

- Este producto de guiado manual no debe fijarse ni utilizarse para aplicaciones estacionarias.
- La prensadora electrohidráulica no debe utilizarse en caso de lluvia intensa ni tampoco debajo del agua.

3.4 Indicador de la batería de Ion-Litio

El indicador de la batería de Ion-Litio informa sobre su estado de carga, así como sobre averías del producto. El estado de carga de la batería de Ion-Litio se visualiza pulsando una de las dos teclas de desbloqueo de la batería.

Estado	Significado
Los 4 LED encendidos.	Estado de carga: 75 % a 100 %
3 LED encendidos.	Estado de carga: 50 % a 75 %



Estado	Significado
2 LED encendidos.	Estado de carga: 25 % a 50 %
1 LED encendido.	Estado de carga: 10 % a 25 %
1 LED parpadea.	Estado de carga: < 10 %



Con el conmutador de control accionado y hasta 5 s después de soltarlo no es posible consultar el estado de carga. Si los LED del indicador de la batería parpadean, observe las indicaciones del capítulo «Ayuda en caso de averías».

3.5 Suministro

Prensadora, manual de instrucciones.

Encontrará otros productos del sistema autorizados para su producto en su **Hilti Store** o en Internet, en: www.hilti.group

4 Datos técnicos

	NPR 032 PE-A22
Tensión nominal	21,6 V
Peso (incluida batería) B228.0	4,9 kg (10,8 lb)
Fuerza de prensado máx.	32 kN (7.194 lb _f)
Tiempo de prensado	≈ 7 s
Temperatura de almacenamiento	-20 °C ... 70 °C (-4 °F ... 158 °F)
Temperatura ambiente en funcionamiento	-17 °C ... 60 °C (1 °F ... 140 °F)

4.1 Batería

Tensión de servicio de la batería	21,6 V
Temperatura ambiente	-10 °C ... 60 °C (14 °F ... 140 °F)
Temperatura de almacenamiento	-20 °C ... 40 °C (-4 °F ... 104 °F)

5 Manejo

5.1 Preparación del trabajo



ADVERTENCIA

Riesgo de lesiones por arranque involuntario.

- ▶ Antes de insertar la batería, asegúrese de que el producto correspondiente esté desconectado.
- ▶ Retire la batería antes de realizar ajustes en la herramienta o de cambiar accesorios.

Respete las indicaciones de seguridad y las advertencias presentes en esta documentación y en el producto.

5.2 Carga de la batería

1. Antes de cargarla, lea el manual de instrucciones del cargador.
2. Asegúrese de que los contactos de la batería y del cargador estén limpios y secos.
3. Cargue la batería en un cargador autorizado. 32



5.3 Colocación de la batería

ADVERTENCIA

Riesgo de lesiones por cortocircuito o caída de la batería.

- ▶ Antes de insertar la batería, asegúrese de que los contactos de la batería y del producto estén libres de cuerpos extraños.
- ▶ Asegúrese de que la batería encaje siempre correctamente.

1. Cargue por completo la batería antes de la primera puesta en servicio.
2. Introduzca la batería en el producto hasta que encaje de forma audible.
3. Compruebe que la batería está bien colocada.

5.4 Extracción de la batería

1. Pulse las teclas de desbloqueo de la batería.
2. Extraiga la batería de la herramienta.

5.5 Ajuste de la carrera

5.5.1 Ajuste de la reducción de carrera

ADVERTENCIA

Riesgo de lesiones Arranque involuntario del producto.

- ▶ Extraiga la batería antes de insertar las mordazas de prensa.

La carrera de la presadora puede reducirse o prolongarse en función del tamaño de las mordazas de prensa empleadas.

1. Coloque las mordazas de prensa.
2. Coloque la batería.
3. Accione el conmutador de control hasta que el pistón se encuentre justo antes de entrar en contacto con las mordazas de prensa.
4. Suelte el conmutador de control.
 - ▶ El pistón se detiene.
5. Presione la clavija en el tubo de protección.
6. Coloque el tubo de protección en la posición deseada hasta que la clavija encaje.
 - ▶ El pistón se desplaza hasta la posición seleccionada.

5.5.2 Ajuste de la prolongación de carrera

ADVERTENCIA

Riesgo de lesiones Arranque involuntario del producto.

- ▶ Extraiga la batería antes de insertar las mordazas de prensa.

1. Coloque las mordazas de prensa.
2. Coloque la batería.
3. Presione la clavija en el tubo de protección.
4. Coloque el tubo de protección en la posición deseada hasta que la clavija encaje.
 - ▶ El pistón se desplaza hasta la posición seleccionada al volver a accionar el interruptor de reinicio.

5.5.3 Tabla pos/carrera

Pos	Carrera	Sistema de prensado	Tamaño	Adaptador
1	40 mm	ProPress (PP)	1/2 in ... 2 in	—
		MegaPress (MP)	2 1/2 in ... 4 in	NPR PA 5
			1/2 in ... 1 in	—
			1 1/4 in ... 2 in	NPR PA 2
2	80 mm	MegaPress (MP)	2 1/2 in ... 4 in	NPR PA 3
3	100 mm	Aplicación industrial		



5.6 Colocación de las mordazas de prensa

ADVERTENCIA

Riesgo de lesiones Arranque involuntario del producto.

- ▶ Extraiga la batería antes de insertar, cambiar o extraer las mordazas de prensa.



¡No accione nunca la prensadora sin las mordazas de prensa!

Para garantizar un prensado y un uso correctos, utilice exclusivamente las mordazas de prensa autorizadas por el proveedor del sistema o el fabricante del producto.

1. Extraiga la batería, seleccione las mordazas de prensa adecuadas.
2. Presione el perno de bloqueo.
3. Gire el perno de bloqueo en sentido horario hasta el tope.
4. Extraiga el perno de bloqueo.
5. Coloque las mordazas de prensa.
6. Deslice el perno de bloqueo hasta que encaje.
7. Gire el cabezal de prensado a la posición de trabajo deseada.



Estando el cabezal de prensado sin presión, puede girarse más fácilmente.

5.7 Extracción de las mordazas de prensa

ADVERTENCIA

Riesgo de lesiones Arranque involuntario del producto.

- ▶ Extraiga la batería antes de insertar, cambiar o extraer las mordazas de prensa.

1. Extraiga la batería y gire el cabezal de prensado a la posición inicial.
2. Presione el perno de bloqueo.
3. Gire el perno de bloqueo en sentido horario hasta el tope.
4. Extraiga el perno de bloqueo.
5. Extraiga las mordazas de prensa del producto tirando hacia delante.

5.8 Colocación de las mordazas adaptables y el anillo de compresión

ADVERTENCIA

Riesgo de lesiones Arranque involuntario del producto.

- ▶ Extraiga la batería antes de insertar, cambiar o extraer las mordazas de prensa.



Para garantizar un prensado y un uso correctos, utilice exclusivamente los anillos de prensa autorizados por el proveedor del sistema o el fabricante del producto.

1. Extraiga la batería.
2. Presione el perno de bloqueo.
3. Gire el perno de bloqueo en sentido horario hasta el tope.
4. Extraiga el perno de bloqueo.
5. Coloque las mordazas adaptables.
6. Deslice el perno de bloqueo hasta que encaje.
7. Coloque el anillo de compresión en la pieza de empalme que hay que prensar.
8. Cierre el anillo de compresión.

5.9 Extracción del anillo de compresión y las mordazas adaptables

ADVERTENCIA

Riesgo de lesiones Arranque involuntario del producto.

- ▶ Extraiga la batería antes de insertar, cambiar o extraer las mordazas de prensa.



1. Abra el anillo de compresión.
2. Extraiga el anillo de compresión.
3. Extraiga la batería.
4. Presione el perno de bloqueo.
5. Gire el perno de bloqueo en sentido horario hasta el tope.
6. Extraiga el perno de bloqueo.
7. Retire las mordazas adaptables del producto tirando hacia delante.

5.10 Protección frente a caídas

ADVERTENCIA

Riesgo de lesiones por caída de herramientas o accesorios.

- ▶ Utilice únicamente la cuerda de amarre para herramientas **Hilti** recomendada para su producto.
- ▶ Antes de cada uso, compruebe que el punto de fijación de la cuerda de amarre para herramientas no presente posibles daños.



Tenga en cuenta las directivas nacionales para trabajos en altura.

Para este producto, utilice únicamente como protección frente a caídas la cuerda de amarre para herramientas **Hilti** #2261971.

- ▶ Fije la cuerda de amarre para herramientas con la correa del producto como se muestra en la figura. Compruebe que quede fijada de forma segura.
- ▶ Fije el mosquetón a una estructura portante. Compruebe que el mosquetón quede fijado de forma segura.



Tenga en cuenta el manual de instrucciones de la cuerda de amarre para herramientas **Hilti**.

5.11 Ejecución de la operación de prensado

ADVERTENCIA

¡Peligro! ¡Peligro de fuga de gas al presionar en redes de distribución de gas!

- ▶ Nunca realice prensados en las redes de distribución de gas, a menos que haya una aprobación explícita por parte del proveedor del sistema en relación con esta herramienta y los accesorios especialmente inspeccionados.

ADVERTENCIA

Riesgo de lesiones por alineación incorrecta de las mordazas adaptables y del anillo de compresión. Las mordazas adaptables o el anillo de compresión pueden salir proyectados y causar graves lesiones al usuario o a quienes se hallen cerca.

- ▶ Las mordazas adaptables y el anillo de compresión deben estar bien alineados durante todo el proceso de prensado.

PRECAUCIÓN

Daños materiales por manejo incorrecto La prensadora o los anillos de compresión pueden dañarse por un manejo incorrecto.

- ▶ Asegúrese de que los anillos de compresión, las mordazas adaptadoras/de prensa y el actuador de rodillo (si lo hubiera) estén libres de polvo y bien lubricados antes de llevar a cabo cualquier operación.
- ▶ Lubrique los anillos de compresión, las mordazas adaptadoras/de prensa y el actuador de rodillo (si lo hubiera) con "Lubricante y spray de protección anticorrosión" (#308976) antes de llevar a cabo cualquier operación.
- ▶ Tenga en cuenta el manual de instrucciones original del fabricante de los anillos de compresión.





El aceite hidráulico puede espesarse en condiciones de frío y ralentizar la operación de prensado. Realice de 5 a 10 operaciones de prensado en vacío para calentar la prensadora.

1. Accione el conmutador de control y manténgalo presionado hasta que se cierren del todo las mordazas de prensa.
2. Si se utiliza un anillo de compresión, coloque el producto con las mordazas adaptables junto al anillo de compresión y, a continuación, realice la operación de prensado.



El cierre total de las mordazas de prensa y, con ello, la finalización del proceso de prensado es una condición necesaria para un prensado compacto duradero.

Las piezas de empalme en las que el proceso de prensado se haya interrumpido antes de tiempo deberán desmontarse o, si es posible, volver a prensarse.

6 Cuidado y mantenimiento



ADVERTENCIA

Riesgo de lesiones si no se realiza el mantenimiento !

- ▶ El mantenimiento es necesario después de 15 000 ciclos o 1 año y lo debe realizar un Hilti Service Center autorizado. Si no se realiza un mantenimiento periódico, esto puede representar graves riesgos para la seguridad del operario y/o un prensado incorrecto.



ADVERTENCIA

Riesgo de lesiones con la batería colocada !

- ▶ Extraiga siempre la batería antes de llevar a cabo tareas de cuidado y mantenimiento.

Cuidado del producto

- Elimine con precaución la suciedad fuertemente adherida.
- Las rejillas de ventilación, si las hay, deben limpiarse con cuidadosamente con un cepillo seco y suave.
- Limpie la carcasa solo con un paño ligeramente humedecido. No utilice productos de limpieza que contengan silicona, ya que podrían dañar las piezas de plástico.
- Utilice un paño limpio y seco para limpiar los contactos del producto.

Cuidado de las baterías de Ion-Litio

- No utilice nunca una batería con las rejillas de ventilación obstruidas. Limpie cuidadosamente las rejillas de ventilación con un cepillo seco y suave.
- Evite la exposición innecesaria de la batería al polvo o la suciedad. No esponga nunca la batería a altos niveles de humedad (por ejemplo, sumergiéndola en agua o dejándola bajo la lluvia). Si penetra agua en la batería, trátela como una batería dañada. Aíslela en un recipiente no inflamable y póngase en contacto con el Servicio Técnico de **Hilti**.
- Mantenga la batería limpia de aceite o grasa. No permita la acumulación innecesaria de polvo o suciedad en la batería. Limpie la batería con un cepillo seco y suave o con un paño limpio y seco. No utilice productos de limpieza que contengan silicona, ya que podrían dañar las piezas de plástico. No toque los contactos de la batería y no elimine de los contactos la grasa aplicada de fábrica.
- Limpie la carcasa solo con un paño ligeramente humedecido. No utilice productos de limpieza que contengan silicona, ya que podrían dañar las piezas de plástico.

Mantenimiento



ADVERTENCIA

Riesgo de descarga eléctrica. Las reparaciones indebidas en componentes eléctricos pueden producir lesiones graves y quemaduras.

- ▶ Las reparaciones de la parte eléctrica sólo puede llevarlas a cabo un técnico electricista cualificado.
- Compruebe con regularidad que las piezas visibles no estén dañadas y los elementos de manejo funcionen correctamente.
- No utilice el producto si presenta daños o fallos que afecten al funcionamiento. Encargue inmediatamente la reparación del producto al Servicio Técnico de **Hilti**.
- Tras las tareas de cuidado y mantenimiento, coloque todos los dispositivos de protección y asegúrese de que funcionen correctamente.



i Para garantizar un correcto funcionamiento, utilice exclusivamente piezas de repuesto, material de consumo y accesorios originales. Las piezas de repuesto, los materiales de consumo y los accesorios autorizados por Hilti se pueden consultar en su **Hilti Store** o en: **www.hilti.group**

7 Transporte y almacenamiento de las baterías y sus herramientas

Transporte

PRECAUCIÓN

Arranque involuntario en el transporte !

- ▶ Transporte sus productos siempre sin batería.
- ▶ Extraiga la(s) batería(s).
- ▶ Nunca transporte las baterías sin embalaje. Durante el transporte, las baterías deben estar protegidas frente a vibraciones y golpes excesivos y aisladas de todo material conductor y de otras baterías para que no entren en contacto con los polos de otras baterías y causen un cortocircuito. **Tenga en cuenta las normativas locales sobre el transporte de baterías.**
- ▶ Las baterías no deben enviarse por correo. Diríjase a una empresa de transporte si quiere enviar baterías no dañadas.
- ▶ Compruebe si el producto o las baterías están dañados antes de cada uso y antes y después de un transporte prolongado.

Almacenamiento

ADVERTENCIA

Daños imprevistos debido a una batería defectuosa o agotada !

- ▶ Guarde su productos siempre sin batería.
- ▶ Guarde el producto y las baterías en un lugar fresco y seco. Tenga en cuenta los valores límite de temperatura que figuran en los datos técnicos.
- ▶ No almacene las baterías en el cargador. Extraiga siempre la batería del cargador después del proceso de carga.
- ▶ No guarde nunca las baterías en un lugar expuesto al sol, a fuentes de calor o detrás de un cristal.
- ▶ Guarde el producto y las baterías fuera del alcance de niños y personas no autorizadas.
- ▶ Compruebe si el producto o las baterías están dañados antes de cada uso y antes y después de un almacenamiento prolongado.

8 Ayuda en caso de averías

Si se producen averías que no estén incluidas en esta tabla o que no pueda solucionar usted, diríjase al Servicio Técnico de Hilti.

8.1 La prensadora no está lista para funcionar.

Anomalía	Posible causa	Solución
Los LED de la batería no indican nada.	La batería no se ha insertado completamente.	▶ Encaje la batería hasta que note un doble clic.
	La batería está descargada.	▶ Cambie la batería y recargue la batería vacía.
	La batería está demasiado caliente o fría.	▶ Deje enfriar la batería o espere a que alcance la temperatura de la estancia.
Parpadea 1 LED de la batería.	La batería está descargada.	▶ Cambie la batería y recargue la batería vacía.
	La batería está demasiado caliente o fría.	▶ Deje enfriar la batería o espere a que alcance la temperatura de la estancia.
Parpadean los 4 LED de la batería.	Producto brevemente sobrecargado.	▶ Deje enfriar el producto.



Anomalía	Posible causa	Solución
LED rojo => encendido permanentemente con tono de advertencia.	Problema técnico.	► Posible aplicación incorrecta. Póngase en contacto con el Servicio Técnico de Hilti .
LED rojo => parpadeo corto con tono de advertencia.	El estado de carga de la batería es demasiado bajo para realizar una aplicación completa.	► Cambie la batería y recargue la batería vacía.
LED rojo => se ilumina brevemente sin tono de advertencia.	Producto sobrecalentado.	► Deje enfriar el producto.

8.2 La prensadora está lista para funcionar.

Anomalía	Posible causa	Solución
La batería se descarga con mayor rapidez que de costumbre.	Temperatura ambiente demasiado baja.	► Deje que la batería se caliente poco a poco hasta alcanzar la temperatura ambiente.
La batería no encaja con un doble clic audible.	Suciedad en las lengüetas de la batería.	► Limpie las lengüetas y vuelva a colocar la batería.
LED rojo => parpadeo largo con tono de advertencia.	No se alcanza la presión de compactación (error de aplicación).	► Preste atención a la aplicación correcta y, en caso necesario, compruebe el prensado.
LED rojo => encendido permanentemente con tono de advertencia.	Problema técnico.	► Posible aplicación incorrecta. Póngase en contacto con el Servicio Técnico de Hilti .
LED rojo => encendido permanentemente sin tono de advertencia.	El mantenimiento del producto es necesario.	► Póngase en contacto con el Servicio Técnico de Hilti .

9 Reciclaje

ADVERTENCIA

Riesgo de lesiones por un reciclaje indebido. Riesgo para la salud debido a escapes de gases o líquidos.

- No envíe baterías dañadas bajo ningún concepto.
- Cubra las conexiones con un material no conductor para evitar cortocircuitos.
- Deshágase de las baterías de tal forma que no terminen en manos de niños.
- Elimine la batería en su **Hilti Store** o diríjase a su empresa de desechos.

Los productos **Hilti** están fabricados en su mayor parte con materiales reutilizables. La condición para dicha reutilización es una separación adecuada de los materiales. En muchos países, **Hilti** recoge las herramientas usadas para su recuperación. Pregunte al Servicio de Atención al Cliente de **Hilti** o a su asesor de ventas.



- No deseche las herramientas eléctricas, los aparatos eléctricos ni las baterías junto con los residuos domésticos.

10 Garantía del fabricante

- Si tiene alguna consulta acerca de las condiciones de la garantía, póngase en contacto con su sucursal local de **Hilti**.



Manual de instruções original

1 Indicações sobre o Manual de instruções

1.1 Relativamente a este Manual de instruções

- **Aviso!** Antes de utilizar o produto, certifique-se de que leu e compreendeu o Manual de instruções fornecido com o produto incluindo as instruções, instruções de segurança e advertências, figuras e especificações. Familiarize-se sobretudo com todas as instruções, instruções de segurança e advertências, figuras, especificações, bem como com componentes e funções. Em caso de incumprimento existe perigo de choque eléctrico, incêndio e/ou ferimentos graves. Guarde o Manual de instruções incluindo todas as instruções, instruções de segurança e advertências para utilização posterior.
- Os produtos destinam-se ao utilizador profissional e só podem ser operados, mantidos e reparados por pessoal autorizado, devidamente qualificado. Estas pessoas deverão estar informadas em particular sobre os potenciais perigos. O produto e seu equipamento auxiliar podem representar perigo se usados incorrectamente por pessoas não qualificadas ou se usados para fins diferentes daqueles para os quais foram concebidos.
- O Manual de instruções fornecido corresponde ao actual avanço tecnológico no momento da impressão. Encontra a versão actual sempre online, na página de produtos Hilti. Para o efeito, siga a hiperligação ou o código QR neste Manual de instruções, identificado com o símbolo .
- Entregue o produto a outras pessoas apenas juntamente com o Manual de instruções.

1.2 Explicação dos símbolos

1.2.1 Advertências

As advertências alertam para perigos durante a utilização do produto. São utilizadas as seguintes palavras de aviso:

PERIGO

PERIGO !

- ▶ Indica perigo iminente que pode originar acidentes pessoais graves ou até mesmo fatais.

AVISO

AVISO !

- ▶ Indica um possível perigo que pode causar graves ferimentos pessoais, até mesmo fatais.

CUIDADO

CUIDADO !

- ▶ Indica uma situação potencialmente perigosa que pode originar ferimentos corporais ou danos materiais.

1.2.2 Símbolos no manual de instruções

Neste manual de instruções são utilizados os seguintes símbolos:

	Consultar o manual de instruções
	Instruções de utilização e outras informações úteis
	Manuseamento com materiais recicláveis
	Não deitar as ferramentas eléctricas e baterias no lixo doméstico
	Bateria de iões de lítio Hilti
	Carregador Hilti

1.2.3 Símbolos nas figuras

Em figuras são utilizados os seguintes símbolos:



2	Estes números remetem para a figura respectiva no início do presente manual de instruções.
3	A numeração reproduz uma sequência dos passos de trabalho na imagem e pode divergir dos passos de trabalho no texto.
11	Na figura Vista geral são utilizados números de posição que fazem referência aos números da legenda na secção Vista geral do produto .
	Este símbolo pretende despertar a sua atenção durante o manuseamento do produto.

1.3 Símbolos dependentes do produto

1.3.1 Símbolos no produto

No produto, podem usar-se os seguintes símbolos:

	Risco de esmagamento!
	Corrente contínua
	O aparelho suporta a tecnologia NFC que é compatível com plataformas iOS e Android.
Li-Ion	Bateria de iões de lítio
	Série utilizada da bateria de iões de lítio Hilti . Tenha em atenção as indicações no capítulo Utilização conforme a finalidade projectada .
	Nunca utilize a bateria como ferramenta de percussão.
	Não deixe cair a bateria. Não utilize baterias que tenham recebido uma pancada ou que estejam, de outra forma, danificadas.
	Série utilizada da bateria de iões de lítio Hilti . Tenha em atenção as indicações no capítulo Utilização conforme a finalidade projectada .
	Se existente no produto, isso significa que o produto foi certificado por este organismo de certificação para o mercado americano e canadiano de acordo com as normas em vigor.

1.4 Dados informativos sobre o produto

Os produtos destinam-se ao utilizador profissional e só podem ser operados, mantidos e reparados por pessoal autorizado, devidamente qualificado. Estas pessoas deverão estar informadas em particular sobre os potenciais perigos. O produto e seu equipamento auxiliar podem representar perigo se usados incorrectamente por pessoas não qualificadas ou se usados para fins diferentes daqueles para os quais foram concebidos.

A designação e o número de série são indicados na placa de características.

- ▶ Registe o número de série na tabela seguinte. Precisa dos dados do produto para colocar questões ao nosso representante ou posto de serviço de atendimento aos clientes.

Dados do produto

Aparelho de aperto	NPR 032 PE-A22
Geração	01
N.º de série	

1.5 Declaração de conformidade

Declaramos sob nossa exclusiva responsabilidade que o produto aqui descrito está em conformidade com as directivas e normas em vigor. Na parte final desta documentação encontra uma reprodução do organismo de certificação.

As documentações técnicas estão aqui guardadas:

Hilti Entwicklungsgesellschaft mbH | Zulassung Geräte | Hiltistraße 6 | 86916 Kaufering, DE



2.1 Normas de segurança gerais para ferramentas eléctricas

⚠ AVISO Leia todas as normas de segurança, instruções, imagens e dados técnicos, com os quais esta ferramenta eléctrica está equipada. O não cumprimento das instruções a seguir pode resultar em choque eléctrico, incêndio e/ou ferimentos graves.

Guarde bem todas as normas de segurança e instruções para futura referência.

O termo “ferramenta eléctrica” utilizado nas normas de segurança refere-se a ferramentas com ligação à corrente eléctrica (com cabo de alimentação) ou a ferramentas a bateria (sem cabo).

Segurança no posto de trabalho

- ▶ **Mantenha a sua área de trabalho limpa e bem iluminada.** Locais desarrumados ou mal iluminados podem ocasionar acidentes.
- ▶ **Não utilize a ferramenta eléctrica em ambientes explosivos ou na proximidade de líquidos ou gases inflamáveis.** Ferramentas eléctricas produzem faíscas que podem provocar a ignição de pó e vapores.
- ▶ **Mantenha crianças e terceiros afastados durante os trabalhos.** Distracções podem conduzir à perda de controlo sobre a ferramenta.

Segurança eléctrica

- ▶ **A ficha da ferramenta eléctrica deve servir na tomada. A ficha não deve ser modificada de modo algum. Não utilize quaisquer adaptadores com ferramentas eléctricas com ligação terra.** Fichas originais (não modificadas) e tomadas adequadas reduzem o risco de choque eléctrico.
- ▶ **Evite o contacto do corpo com superfícies ligadas à terra, como, por exemplo, canos, radiadores, fogões e frigoríficos.** Existe um risco elevado de choque eléctrico se o corpo estiver com ligação à terra.
- ▶ **As ferramentas eléctricas não devem ser expostas à chuva nem à humidade.** A infiltração de água numa ferramenta eléctrica aumenta o risco de choque eléctrico.
- ▶ **Não use o cabo de ligação para transportar, pendurar ou desligar a ferramenta eléctrica da tomada. Mantenha o cabo de ligação afastado de calor, óleo, arestas vivas ou partes em movimento.** Cabos de ligação danificados ou emaranhados aumentam o risco de choque eléctrico.
- ▶ **Quando operar uma ferramenta eléctrica ao ar livre, utilize apenas cabos de extensão próprios para utilização no exterior.** A utilização de um cabo de extensão próprio para utilização no exterior reduz o risco de choques eléctricos.
- ▶ **Utilize um disjuntor diferencial se não puder ser evitada a utilização da ferramenta eléctrica em ambiente húmido.** A utilização de um disjuntor diferencial reduz o risco de choque eléctrico.

Segurança física

- ▶ **Esteja alerta, observe o que está a fazer, e tenha prudência ao trabalhar com uma ferramenta eléctrica. Se estiver cansado ou sob influência de drogas, álcool ou medicamentos não efectue nenhum trabalho com ferramentas eléctricas.** Um momento de distração ao operar a ferramenta eléctrica pode causar ferimentos graves.
- ▶ **Use equipamento de segurança. Use sempre óculos de protecção.** Equipamento de segurança, como, por exemplo, máscara antipoeiras, sapatos de segurança antiderrapantes, capacete de segurança ou protecção auricular, de acordo com o tipo e aplicação da ferramenta eléctrica, reduzem o risco de lesões.
- ▶ **Evite um arranque involuntário. Assegure-se de que a ferramenta eléctrica está desligada antes de a ligar à fonte de alimentação e/ou à bateria, pegar nela ou a transportar.** Transportar a ferramenta eléctrica com o dedo no interruptor ou ligar uma ferramenta à tomada com o interruptor ligado (ON) pode resultar em acidentes.
- ▶ **Remova quaisquer chaves de ajuste (chaves de fenda), antes de ligar a ferramenta eléctrica.** Um acessório ou chave deixado preso numa parte rotativa da ferramenta pode causar ferimentos.
- ▶ **Evite posturas corporais desfavoráveis. Mantenha sempre uma posição correcta, em perfeito equilíbrio.** Desta forma será mais fácil manter o controlo sobre a ferramenta eléctrica em situações inesperadas.
- ▶ **Use roupa apropriada. Não use roupa larga ou jóias. Mantenha o cabelo, vestuário e luvas afastados das peças móveis.** Roupas largas, jóias ou cabelos compridos podem ficar presos nas peças móveis.
- ▶ **Se poderem ser montados sistemas de remoção e de recolha de pó, assegure-se de que estes estão ligados e são utilizados correctamente.** A utilização de um sistema de remoção de pó pode reduzir os perigos relacionados com a exposição ao mesmo.



- ▶ **Não se acomode numa falsa sensação de segurança e não ignore os regulamentos de segurança para ferramentas eléctricas, mesmo se estiver familiarizado com a ferramenta eléctrica após numerosas utilizações.** Agir de forma descuidada pode causar ferimentos graves dentro duma fracção de segundo.

Utilização e manuseamento da ferramenta eléctrica

- ▶ **Não sobrecarregue a ferramenta. Use para o seu trabalho a ferramenta eléctrica correcta.** Com a ferramenta eléctrica adequada obterá maior eficiência e segurança se respeitar os seus limites.
- ▶ **Não utilize a ferramenta eléctrica se o interruptor estiver defeituoso.** Uma ferramenta eléctrica que já não possa ser accionada pelo interruptor é perigosa e deve ser reparada.
- ▶ **Retire a ficha da tomada e/ou remova uma bateria amovível antes de efectuar ajustes na ferramenta, substituir acessórios ou guardar a ferramenta.** Esta medida preventiva evita o accionamento accidental da ferramenta eléctrica.
- ▶ **Guarde ferramentas eléctricas não utilizadas fora do alcance das crianças. Não permita que a ferramenta seja utilizada por pessoas não familiarizadas com a mesma ou que não tenham lido estas instruções.** Ferramentas eléctricas operadas por pessoas não treinadas são perigosas.
- ▶ **Faça uma manutenção regular de ferramentas eléctricas e acessórios. Verifique se as partes móveis funcionam perfeitamente e não emperram ou se há peças quebradas ou danificadas que possam influenciar o funcionamento da ferramenta eléctrica. Peças danificadas devem ser reparadas antes da utilização da ferramenta.** Muitos acidentes são causados por ferramentas eléctricas com manutenção deficiente.
- ▶ **Mantenha as ferramentas de corte sempre afiadas e limpas.** Acessórios com gumes afiados tratados correctamente emperram menos e são mais fáceis de controlar.
- ▶ **Utilize a ferramenta eléctrica, acessórios, bits, etc., de acordo com estas instruções. Tome também em consideração as condições de trabalho e o trabalho a ser efectuado.** A utilização da ferramenta eléctrica para outros fins além dos previstos, pode ocasionar situações de perigo.
- ▶ **Mantenha punhos e respectivas superfícies secos, limpos e isentos de óleo e gordura.** Punhos e superfícies afins escorregadios não permitem um manuseamento e controlo seguro da ferramenta eléctrica em situações imprevistas.

Utilização e manuseamento da ferramenta a bateria

- ▶ **Apenas deverá carregar as baterias em carregadores recomendados pelo fabricante.** Num carregador adequado para um determinado tipo de baterias existe perigo de incêndio se for utilizado para outras baterias.
- ▶ **Nas ferramentas eléctricas utilize apenas as baterias previstas.** A utilização de outras baterias pode causar ferimentos e riscos de incêndio.
- ▶ **Quando a bateria não estiver em uso, mantenha-a afastada de outros objectos de metal, como, por exemplo, cliques, moedas, chaves, pregos, parafusos, ou outros pequenos objectos metálicos que possam ligar em ponte os contactos.** Um curto-circuito entre os contactos da bateria pode causar queimaduras ou incêndio.
- ▶ **Utilizações inadequadas podem provocar derrame do líquido da bateria. Evite o contacto com este líquido. No caso de contacto accidental, enxágue imediatamente com água. Se o líquido entrar em contacto com os olhos, procure auxílio médico.** O líquido que escorre da bateria pode provocar irritações ou queimaduras da pele.
- ▶ **Não utilize uma bateria danificada ou modificada.** Baterias danificadas ou modificadas podem ter um comportamento imprevisível e causar fogo, explosão ou risco de ferimentos.
- ▶ **Não exponha uma bateria ao fogo ou a temperaturas excessivas.** Fogo e temperaturas superiores a 130 °C (265 °F) podem provocar uma explosão.
- ▶ **Cumpra todas as instruções sobre o carregamento e nunca carregue a bateria ou a ferramenta a bateria fora da faixa de temperaturas indicada no manual de instruções.** O carregamento errado ou fora da faixa de temperaturas permitida pode destruir a bateria e aumentar o risco de incêndio.

Manutenção

- ▶ **A sua ferramenta eléctrica só deve ser reparada por pessoal qualificado e só devem ser utilizadas peças sobressalentes originais.** Isto assegurará que a segurança da ferramenta se mantenha.
- ▶ **Nunca faça a manutenção de baterias danificadas.** Qualquer manutenção de baterias só deverá ser realizada pelo fabricante ou serviços de assistência técnica autorizados.

2.2 Normas de segurança adicionais para a ferramenta de aperto

Segurança física

- ▶ Utilize o produto e os acessórios somente se estiverem em perfeitas condições técnicas.
- ▶ Nunca efectue quaisquer manipulações ou modificações no produto e acessórios.



- ▶ Antes de utilizar o aparelho de aperto é necessário desligar da tensão todas as peças activas, ou seja, que conduzam corrente, no local de trabalho do operador. Se isso não for possível é necessário tomar as respectivas medidas de protecção, para poder efectuar trabalhos nas proximidades de peças sob tensão.
- ▶ Mantenha sempre as saídas de ar desobstruídas. Risco de queimaduras devido a saídas de ar tapadas!
- ▶ Use óculos de protecção, capacete de segurança e protecção auricular durante a utilização do produto.
- ▶ Pó produzido ao rectificar, lixar, cortar e furar pode conter produtos químicos perigosos. Alguns exemplos são: Chumbo ou tintas à base de chumbo; Tijolo, betão e outros produtos de alvenaria, pedra natural e outros produtos que contenham silicatos; Determinadas madeiras, como carvalho, faia e madeira tratada quimicamente; Amianto ou materiais contendo amianto. Determine a exposição do operador e das pessoas que se encontrem nas proximidades através da classe de perigo dos materiais a serem trabalhados. Tome as medidas necessárias para manter a exposição a um nível seguro como, por ex., a utilização de um sistema colector de pó ou o uso de uma protecção respiratória adequada. As medidas gerais para redução da exposição incluem:
 - ▶ Trabalhar num local bem ventilado,
 - ▶ Evitar o contacto prolongado com pó,
 - ▶ Afastar o pó do rosto e do corpo,
 - ▶ Usar roupa de protecção e lavar áreas expostas com água e sabão.
- ▶ Faça frequentemente pausas e exercícios para melhorar a circulação sanguínea nos dedos. Os trabalhos mais longos, devido às intensas vibrações, podem causar distúrbios nos vasos sanguíneos ou no sistema nervoso dos dedos, mãos ou pulsos.
- ▶ Não olhe directamente para a luz de trabalho (LED) do produto nem aponte a luz para o rosto de outras pessoas. Existe risco de encandeamamento.
- ▶ Nunca efectue apertos dentro de redes de tubagens de gás, a não ser que o fornecedor do sistema tenha dado uma autorização expressa associada a esta ferramenta e aos bocais especialmente testados.
- ▶ Certifique-se de que o pino de travamento está totalmente inserido e engatou correctamente.
- ▶ Para proteger os dedos de esmagamento ou entalamento, depois de aplicar as garras de aperto/adaptadoras, posicione o tubo de protecção de forma a que surja a mínima folga possível entre as garras de aperto/adaptadoras e o suporte (cabeça de aperto).
- ▶ Certifique-se de que não existem corpos estranhos (p. ex., reboco, restos de pedras, limalhas, etc.) nas garras de aperto e não existem danos. Garras de aperto danificadas ou deformadas não devem ser mais utilizadas!
- ▶ Transporte o aparelho sempre pelo punho e apenas com as mãos secas. Mãos/dedos oleosos ou gordurosos podem fazer com que o aparelho escorregue das mãos e caia.
- ▶ **Antes de iniciar o trabalho, verifique o aparelho de aperto e as garras de aperto NPR PS ou anéis de aperto NPR PR, de acordo com as especificações.** Aparelhos, garras ou anéis verificados de forma inadequada podem dar origem a apertos deficientes e constituem um perigo para a segurança do utilizador. Os aparelhos de aperto devem ser submetidos a uma inspecção no Centro de Assistência Técnica **Hilti**, o mais tardar, após 15 000 apertos, ou, no mínimo, uma vez por ano. A manutenção das garras e anéis de aperto tem de ser efectuada todos os anos pelo Centro de Assistência Técnica **Hilti**.
- ▶ Em seguida, para verificar a estanqueidade, efectue um teste de pressão no sistema de tubagem comprimido, para evitar faltas de estanqueidade (p.ex. devido a utilizações incorrectas).
- ▶ Risco de ferimentos devido a queda de ferramentas e/ou acessórios. Antes de iniciar os trabalhos, verifique se a bateria e os acessórios montados estão realmente fixos.
- ▶ Não monte nenhum gancho de cinto neste produto.

Segurança eléctrica

- ▶ Antes de utilizar o aparelho é necessário desligar da tensão todas as peças activas, ou seja, que conduzam corrente, no local de trabalho do operador. Se isso não for possível é necessário tomar as respectivas medidas de protecção, para poder efectuar trabalhos nas proximidades de peças sob tensão.
- ▶ Não aperte peças que se encontrem sob tensão. O aparelho não é considerado como estando isolado e, por conseguinte, tem de ser utilizado juntamente com o equipamento de protecção pessoal (luvas de protecção, sapatas de protecção, vestuário de protecção, etc.), que seja adequado para o proteger a si e a pessoas que se encontrem nas proximidades.

Utilização e manutenção de ferramentas eléctricas

- ▶ Após aproximadamente 50 apertos sucessivos, desligue a ferramenta eléctrica e deixe-a arrefecer durante aprox. 15 minutos. O sobreaquecimento pode dar origem a danos no aparelho.

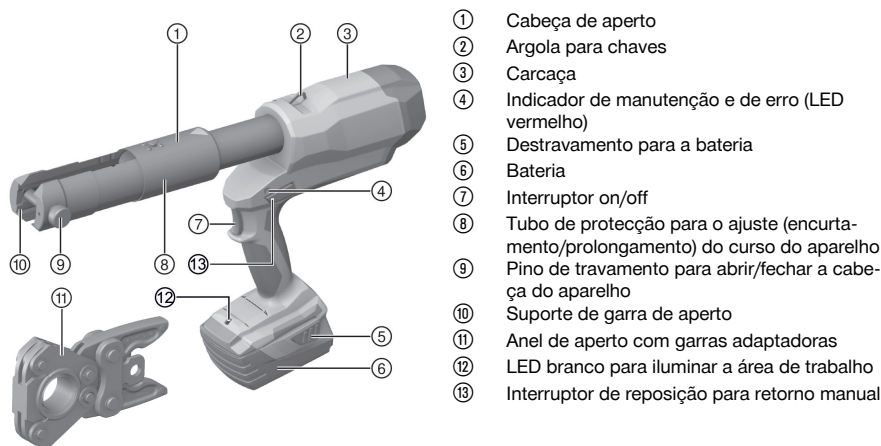


2.3 Utilização e manutenção de baterias

- ▶ Observe as regras específicas sobre transporte, armazenamento e utilização de baterias de íões de lítio.
- ▶ Mantenha as baterias afastadas de temperaturas elevadas, radiação solar directa e fogo.
- ▶ As baterias não devem ser desmanteladas, esmagadas, aquecidas acima dos 80 °C (176 °F) ou incineradas.
- ▶ Não utilize ou carregue quaisquer baterias que tenham sofrido golpes, tenham caído de altura superior a um metro ou tenham sido danificadas de outra forma. Neste caso, contacte sempre o seu **Centro de Assistência Técnica Hilti**.
- ▶ Se a bateria estiver demasiado quente ao toque, poderá estar com defeito. Coloque a bateria num local com boa visibilidade que não constitua risco de incêndio, suficientemente afastado de materiais inflamáveis. Deixe a bateria arrefecer. Se, passado uma hora, a bateria ainda estiver demasiado quente ao toque, então está com defeito. Contacte o **Centro de Assistência Técnica Hilti**.

3 Descrição

3.1 Vista geral do produto



- ① Cabeça de aperto
- ② Argola para chaves
- ③ Carcaça
- ④ Indicador de manutenção e de erro (LED vermelho)
- ⑤ Destravamento para a bateria
- ⑥ Bateria
- ⑦ Interruptor on/off
- ⑧ Tubo de protecção para o ajuste (encurtamento/prolongamento) do curso do aparelho
- ⑨ Pino de travamento para abrir/fechar a cabeça do aparelho
- ⑩ Suporte de garra de aperto
- ⑪ Anel de aperto com garras adaptadoras
- ⑫ LED branco para iluminar a área de trabalho
- ⑬ Interruptor de reposição para retorno manual

3.2 Utilização correcta

O produto descrito é uma aparelho de aperto electrohidráulico alimentado a bateria. Destina-se ao aperto de bocais para a união de tubos compostos, de cobre (Cu) e de aço.

- Para este produto, utilize apenas as baterias de íões de lítio **Hilti** da série B 22.
- Utilize apenas carregadores aprovados pela **Hilti** para estas baterias. Pode encontrar mais informações na sua **Hilti Store** ou em: www.hilti.group

3.3 Possível uso incorrecto

- O produto manual não pode ser fixado e utilizado para a aplicação fixa.
- O aparelho de aperto electrohidráulico não pode ser utilizado em caso de chuva intensa ou na água.

3.4 Indicador da bateria de íões de lítio

O estado da carga da bateria de íões de lítio e as avarias do produto são sinalizados através da indicação da bateria de íões de lítio. O estado de carga da bateria de íões de lítio é exibido depois de pressionado um dos dois botões de destravamento da bateria.

Estado	Significado
4 LED acendem.	Estado de carga: 75% a 100%
3 LED acendem.	Estado de carga: 50% a 75%
2 LED acendem.	Estado de carga: 25% a 50%



Estado	Significado
1 LED acende.	Estado de carga: 10% a 25%
1 LED pisca.	Estado de carga: < 10%

Com o interruptor on/off pressionado e até 5 segundos depois de o soltar, não é possível consultar o estado de carga. Se os LED da indicação da bateria estiverem a piscar, leia as indicações no capítulo Ajuda em caso de avarias.

3.5 Incluído no fornecimento

Aparelho de aperto, manual de instruções.

Poderá encontrar outros produtos de sistema aprovados para o seu produto na sua **Hilti Store** ou em: www.hilti.group

4 Características técnicas

	NPR 032 PE-A22
Tensão nominal	21,6 V
Peso incluindo bateria B228.0	4,9 kg (10,8 lb)
máx. força de aperto	32 kN (7 194 lb _f)
Tempo de aperto	≈ 7 s
Temperatura de armazenagem	-20 °C ... 70 °C (-4 °F ... 158 °F)
Temperatura ambiente durante o funcionamento	-17 °C ... 60 °C (1 °F ... 140 °F)

4.1 Bateria

Tensão de serviço da bateria	21,6 V
Temperatura ambiente	-10 °C ... 60 °C (14 °F ... 140 °F)
Temperatura de armazenagem	-20 °C ... 40 °C (-4 °F ... 104 °F)

5 Utilização

5.1 Preparação do local de trabalho

AVISO

Risco de ferimentos devido a arranque involuntário!

- ▶ Antes de encaixar a bateria, certifique-se de que o produto correspondente está desligado.
- ▶ Remova a bateria, antes de efectuar ajustes na ferramenta ou substituir acessórios.

Tenha em atenção as instruções de segurança e as advertências nesta documentação e no produto.

5.2 Carregar a bateria

1. Antes de carregar, leia o manual de instruções do carregador.
2. Certifique-se de que os contactos da bateria e do carregador estão limpos e secos.
3. Carregue a bateria num carregador aprovado. 45



5.3 Colocar a bateria



AVISO

Risco de ferimentos devido a curto-circuito ou queda da bateria!

- ▶ Antes de encaixar a bateria, certifique-se de que os contactos da bateria e os contactos no produto estão livres de corpos estranhos.
- ▶ Certifique-se de que a bateria engata sempre correctamente.

1. A bateria deve ser completamente carregada antes da primeira utilização.
2. Introduza a bateria no produto até engatar de forma audível.
3. Verifique se a bateria está correctamente encaixada.

5.4 Retirar a bateria

1. Pressione os botões de destravamento da bateria.
2. Puxe a bateria para fora da ferramenta.

5.5 Ajustar o curso

5.5.1 Ajustar encurtamento do curso



AVISO

Risco de ferimentos! Arranque inadvertido do produto.

- ▶ Remova a bateria antes de aplicar as garras de aperto.



O curso do aparelho de corte pode ser encurtado ou prolongado em função do tamanho das garras de aperto utilizadas.

1. Aplique as garras de aperto.
2. Insira a bateria.
3. Pressione o interruptor on / off até que o êmbolo esteja quase em contacto com as garras de aperto.
4. Solte o interruptor on/off.
 - ▶ O êmbolo pára.
5. Pressione o pino no tubo de protecção.
6. Empurre o tubo de protecção para a posição pretendida até que o pino engate.
 - ▶ Agora, o êmbolo já só recua até à posição seleccionada.

5.5.2 Ajustar prolongamento do curso



AVISO

Risco de ferimentos! Arranque inadvertido do produto.

- ▶ Remova a bateria antes de aplicar as garras de aperto.

1. Aplique as garras de aperto.
2. Insira a bateria.
3. Pressione o pino no tubo de protecção.
4. Empurre o tubo de protecção para a posição pretendida até que o pino engate.
 - ▶ Ao voltar a accionar o interruptor de reposição, o êmbolo recua até à posição seleccionada.

5.5.3 Tabela Pos./Curso

Pos.	Curso	Sistema de aperto	Tamanhos	Adaptador
1	40 mm	ProPress (PP)	1/2 in ... 2 in	—
			2 1/2 in ... 4 in	NPR PA 5
		MegaPress (MP)	1/2 in ... 1 in	—
			1 1/4 in ... 2 in	NPR PA 2
2	80 mm	MegaPress (MP)	2 1/2 in ... 4 in	NPR PA 3
3	100 mm	Aplicação industrial		



5.6 Aplicar as garras de aperto

AVISO

Risco de ferimentos! Arranque inadvertido do produto.

- ▶ Remova a bateria antes de aplicar/substituir/retirar as garras de aperto.



Nunca accione o aparelho de aperto sem as garras de aperto!

Para garantir um aperto correcto e assegurar um trabalho e funcionamento seguros, utilize apenas as garras de aperto autorizadas pelo fornecedor do sistema e/ou pelo fabricante da máquina para o produto.

1. Retire a bateria, seleccione as garras de aperto adequadas.
2. Pressione o pino de travamento.
3. Rode o pino de travamento no sentido anti-horário, até ao batente.
4. Puxe o pino de travamento para fora.
5. Aplique as garras de aperto.
6. Empurre o pino de travamento até que engate.
7. Rode a cabeça de aperto para a posição de trabalho pretendida.



No estado despressurizado é claramente mais fácil rodar a cabeça de aperto.

5.7 Retirar as garras de aperto

AVISO

Risco de ferimentos! Arranque inadvertido do produto.

- ▶ Remova a bateria antes de aplicar/substituir/retirar as garras de aperto.

1. Retire a bateria, rode a cabeça de aperto na posição de partida.
2. Pressione o pino de travamento.
3. Rode o pino de travamento no sentido anti-horário, até ao batente.
4. Puxe o pino de travamento para fora.
5. Retire as garras de aperto para a frente, para fora do produto.

5.8 Aplicar as garras adaptadoras e colocar o anel de aperto

AVISO

Risco de ferimentos! Arranque inadvertido do produto.

- ▶ Remova a bateria antes de aplicar/substituir/retirar as garras de aperto.



Para garantir um aperto correcto e assegurar um trabalho e funcionamento seguros, utilize apenas os anéis de aperto autorizados pelo fornecedor do sistema e/ou pelo fabricante da máquina para o produto.

1. Retire a bateria.
2. Pressione o pino de travamento.
3. Rode o pino de travamento no sentido anti-horário, até ao batente.
4. Puxe o pino de travamento para fora.
5. Aplique as garras adaptadoras.
6. Empurre o pino de travamento até que engate.
7. Coloque o anel de aperto no bocal a apertar.
8. Feche o anel de aperto.



5.9 Retirar o anel de aperto e as garras adaptadoras

AVISO

Risco de ferimentos! Arranque inadvertido do produto.

- ▶ Remova a bateria antes de aplicar/substituir/retirar as garras de aperto.

1. Abra o anel de aperto.
2. Retire o anel de aperto.
3. Retire a bateria.
4. Pressione o pino de travamento.
5. Rode o pino de travamento no sentido anti-horário, até ao batente.
6. Puxe o pino de travamento para fora.
7. Retire as garras adaptadoras para a frente, para fora do produto.

5.10 Protecção anti-queda

AVISO

Risco de ferimentos devido a queda de ferramentas e/ou acessórios!

- ▶ Utilize apenas o cabo de segurança para ferramentas **Hilti** recomendado para o seu produto.
- ▶ Antes de cada utilização, verifique o ponto de fixação do cabo de segurança para ferramentas quanto a possíveis danos.

Observe as directivas nacionais para trabalhos em altura.

Utilize exclusivamente o cabo de segurança para ferramentas **Hilti** #2261971 como protecção anti-queda para este produto.

- ▶ Fixe o cabo de segurança para ferramentas ao produto com o laço como ilustrado na imagem. Verifique se está bem apertado.
- ▶ Fixe o mosquetão a uma estrutura de suporte. Verifique se o mosquetão está bem apertado.



Observe o manual de instruções do cabo de segurança para ferramentas **Hilti**.

5.11 Efectuar processo de aperto

AVISO

Perigo! Perigo de saída de gás devido ao aperto dentro de redes de tubagens de gás!

- ▶ Nunca efectue apertos dentro de redes de tubagens de gás, a não ser que o fornecedor do sistema tenha dado uma autorização expressa associada a esta ferramenta e aos bocais especialmente testados.

AVISO

Risco de ferimentos devido a garras adaptadoras e anel de aperto não alinhados correctamente. As garras adaptadoras e / ou o anel de aperto podem transformar-se num projectil, dando origem a ferimentos graves do utilizador ou de alguém que se encontre nas imediações.

- ▶ As garras adaptadoras e o anel de aperto devem estar correctamente alinhados durante todo o processo de aperto.



⚠ CUIDADO

Danos materiais devido a manuseamento errado! O aparelho de aperto e/ou os anéis de aperto podem ser danificados por um manuseamento errado.

- ▶ Antes de começar o trabalho, certifique-se que os anéis de aperto, as garras adaptadoras/de aperto, assim como, o atuador de rolamento (se existente) estão livres de pó e bem lubrificadas.
- ▶ Antes de começar, lubrifique os anéis de aperto, as garras adaptadoras/de aperto, assim como, o atuador de rolamento (se existente) com "lubrificante e spray anticorrosão" (#308976).
- ▶ Observe o manual de instruções original do fabricante para os anéis de aperto.



O óleo hidráulico pode espessar em condições meteorológicas frias e tornar o processo de aperto mais lento. Realize 5 a 10 processos de aperto em vazio, de modo a aquecer o aparelho de aperto.

1. Accione o Interruptor on/off e mantenha-o pressionado até ao fecho completo das garras de aperto.
2. Se utilizar um anel de aperto, aplique o produto com as garras adaptadoras no anel de aperto e efectue, em seguida, o processo de aperto.



Um condição necessária para um aperto continuamente estanque é o fecho completo das garras de aperto e a conclusão do processo de aperto relacionado.

Os bocais em que o processo de aperto foi interrompido antes do tempo têm de ser desmontados ou, se possível, reapertados.

6 Conservação e manutenção

⚠ AVISO

Risco de ferimentos em caso de manutenção não efetuada !

- ▶ É necessário efetuar uma manutenção após 15000 ciclos ou 1 ano e esta tem de ser efetuada por um Hilti Service Center autorizado. Negligenciar a manutenção regular pode levar a sérios riscos de segurança para o operador e/ou a apertos incorretos.

⚠ AVISO

Risco de lesão com a bateria encaixada !

- ▶ Retire sempre a bateria antes de todos os trabalhos de conservação e manutenção!

Conservação do produto

- Remova sujidade persistente com cuidado.
- Se existente, limpe as saídas de ar cuidadosamente com uma escova seca e macia.
- Limpe a carcaça apenas com um pano ligeiramente húmido. Não utilize produtos de conservação que contenham silicone, uma vez que estes podem danificar os componentes de plástico.
- Utilize um pano limpo e seco, para limpar os contactos do produto.

Conservação das baterias de iões de lítio

- Nunca utilize uma bateria com as saídas de ar obstruídas. Limpe as saídas de ar cuidadosamente com uma escova seca e macia.
- Evite que a bateria seja exposta desnecessariamente a pó ou sujidade. Nunca exponha a bateria a humidade elevada (por ex., mergulhar em água ou deixar à chuva).
Se uma bateria tiver ficado encharcada, trate-a como uma bateria danificada. Isole-a num recipiente não inflamável e contacte o Centro de Assistência Técnica **Hilti**.
- Mantenha a bateria sem resíduos de óleo e massa consistente externos. Não permita que se acumule desnecessariamente pó ou sujidade sobre a bateria. Limpe a bateria com uma escova seca e macia ou um pano limpo e seco. Não utilize produtos de conservação que contenham silicone, uma vez que estes podem danificar os componentes de plástico.
Não toque nos contactos da bateria nem remova dos contactos a massa consistente aplicada de fábrica.
- Limpe a carcaça apenas com um pano ligeiramente húmido. Não utilize produtos de conservação que contenham silicone, uma vez que estes podem danificar os componentes de plástico.



Manutenção

AVISO

Perigo devido a choque eléctrico! Reparações incorrectas em peças eléctricas podem causar ferimentos e queimaduras graves.

- ▶ As reparações na parte eléctrica apenas podem ser executadas por um electricista especializado.
-
- Verifique, regularmente, todos os componentes visíveis quanto a danos e os comandos operativos quanto a funcionamento perfeito.
 - Não opere o produto se existirem danos e/ou perturbações de funcionamento. Mandê reparar o produto imediatamente no Centro de Assistência Técnica **Hilti**.
 - Após os trabalhos de conservação e manutenção, aplique todos os dispositivos de proteção e verifique se funcionam corretamente.



a garantir um funcionamento seguro utilize apenas peças sobresselentes, consumíveis e acessórios originais. Poderá encontrar peças sobresselentes, consumíveis e acessórios aprovados pela **Hilti** para o seu produto na sua **Hilti Store** ou em: **www.hilti.group**

7 Transporte e armazenamento de ferramentas a bateria e baterias

Transporte

CUIDADO

Arranque inadvertido durante o transporte !

- ▶ Transporte os seus produtos sempre sem as baterias colocadas!
-
- ▶ Retire a/as bateria(s).
 - ▶ Nunca transporte as baterias sem embalagem. Durante o transporte, as baterias devem ser protegidas contra impactos e vibrações excessivos e isoladas de quaisquer materiais condutores ou outras baterias, para que não entrem em contacto com os pólos de outras baterias e causem um curto-circuito. **Observe as suas normas de transporte locais para baterias.**
 - ▶ As baterias não devem ser enviadas por correio. Quando pretender enviar baterias não danificadas, contacte uma empresa transportadora.
 - ▶ Verifique o produto e as baterias quanto a danos antes de cada utilização, bem como antes e depois de longos períodos de transporte.

Armazenamento

AVISO

Dano accidental devido a baterias com defeito ou a perderem líquido !

- ▶ Armazene os seus produtos sempre sem as baterias colocadas!
-
- ▶ Guarde o produto e as baterias em lugar fresco e seco. Tenha em atenção os valores limite de temperatura, que estão indicados nas Características técnicas.
 - ▶ Não guarde as baterias no carregador. Após o processo de carregamento, retire sempre a bateria do carregador.
 - ▶ Nunca armazene as baterias em locais sujeitos a exposição solar, em cima de fontes de calor ou por trás de um vidro.
 - ▶ Guarde o produto e as baterias fora do alcance das crianças e das pessoas não autorizadas.
 - ▶ Verifique o produto e as baterias quanto a danos antes de cada utilização, bem como antes e depois de longos períodos de armazenamento.

8 Ajuda em caso de avarias

No caso de avarias que não sejam mencionadas nesta tabela ou se não conseguir resolvê-las por si mesmo, contacte o nosso Centro de Assistência Técnica **Hilti**.

8.1 O aparelho de aperto não está pronto a funcionar

Avaria	Causa possível	Solução
Os LEDs na bateria não indicam nada.	A bateria não está completamente encaixada.	▶ Encaixe a bateria com um duplo clique.



Avaria	Causa possível	Solução
Os LEDs na bateria não indicam nada.	Bateria descarregada.	► Substitua a bateria e carregue a bateria descarregada.
	Bateria demasiado quente ou demasiado fria.	► Deixe a bateria arrefecer ou coloque a bateria à temperatura ambiente.
1 LED na bateria pisca.	Bateria descarregada.	► Substitua a bateria e carregue a bateria descarregada.
	Bateria demasiado quente ou demasiado fria.	► Deixe a bateria arrefecer ou coloque a bateria à temperatura ambiente.
4 LEDs na bateria piscam.	Produto sobrecarregado por instantes.	► Deixe arrefecer o produto.
LED vermelho => aceso continuamente com som de aviso.	Problema técnico.	► Possibilidade de aplicação incorrecta! Contacte o Centro de Assistência Técnica Hilti .
LED vermelho => pisca brevemente com som de aviso.	O estado de carga da bateria é demasiado baixo para efectuar uma aplicação completa.	► Substitua a bateria e carregue a bateria descarregada.
LED vermelho => acende por instantes sem som de aviso.	Produto sobreaquecido.	► Deixe arrefecer o produto.

8.2 Aparelho de apeto está pronto a funcionar

Avaria	Causa possível	Solução
A bateria descarrega-se mais depressa do que habitualmente.	Temperatura ambiente muito baixa.	► Deixe a bateria aquecer lentamente até à temperatura ambiente.
A bateria não encaixa com duplo clique audível.	Sujidade nos encaixes da bateria.	► Limpe as patilhas de fixação e volte a encaixar a bateria.
LED vermelho => pisca prolongadamente com som de aviso.	Pressão de aperto não atingida (erro de aplicação).	► Preste atenção à aplicação correcta e, se necessário, verifique o aperto.
LED vermelho => aceso continuamente com som de aviso.	Problema técnico.	► Possibilidade de aplicação incorrecta! Contacte o Centro de Assistência Técnica Hilti .
LED vermelho => aceso continuamente sem som de aviso.	É necessário efectuar a manutenção do produto.	► Contacte o Centro de Assistência Técnica Hilti .

9 Reciclagem

AVISO

Perigo de ferimentos devido a eliminação incorrecta! Risco para a saúde devido à fuga de gases ou líquidos.

- Não envie quaisquer baterias danificadas!
- Para evitar curto-circuitos, cubra as conexões com um material não condutor.
- Elimine as baterias de modo a mantê-las longe das crianças.
- Efectue a reciclagem da bateria na sua **Hilti Store** ou entre em contacto com a empresa de recolha de lixo responsável.

Os produtos **Hilti** são, em grande parte, fabricados com materiais recicláveis. Um pré-requisito para a reciclagem é que esses materiais sejam devidamente separados. Em muitos países, a **Hilti** aceita o seu aparelho usado para reaproveitamento. Para mais informações, dirija-se ao Serviço de Clientes **Hilti** ou ao seu vendedor.



- Não deite as ferramentas eléctricas, aparelhos electrónicos e baterias no lixo doméstico!



10 Garantia do fabricante

- ▶ Se tiver dúvidas em relação às condições de garantia, contacte o seu parceiro **Hilti** local.





This Product is Certified
Ce produit est homologué
Producto homologado por
Este producto está registrado





Hilti Corporation
LI-9494 Schaan
Tel.:+423 234 21 11
Fax:+423 234 29 65
www.hilti.group



2215658