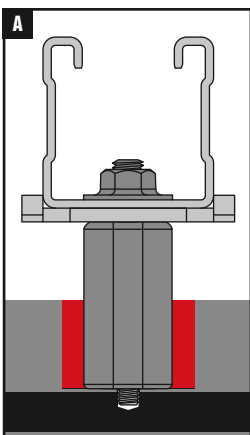
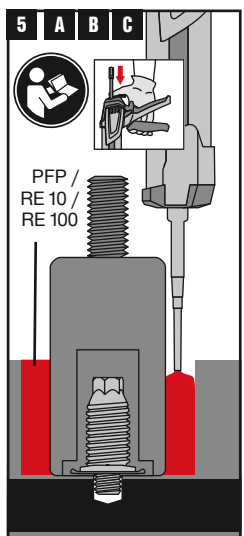
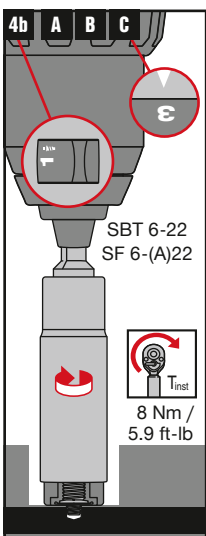
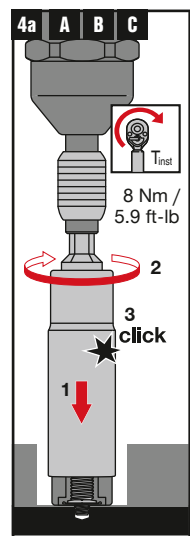
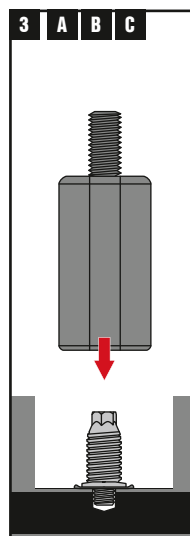
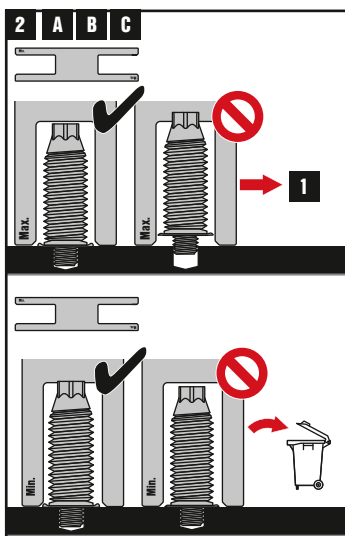
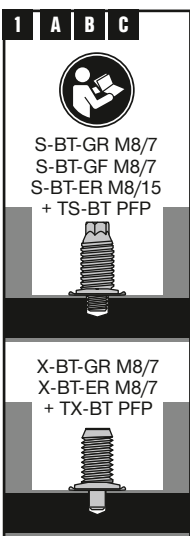
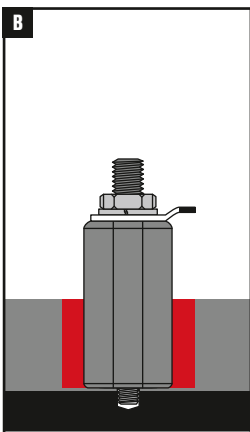
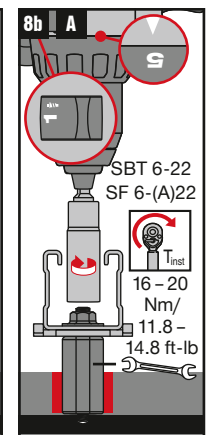
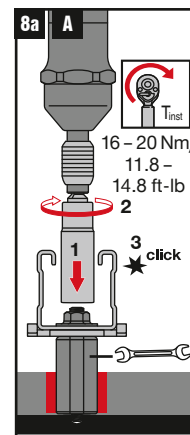
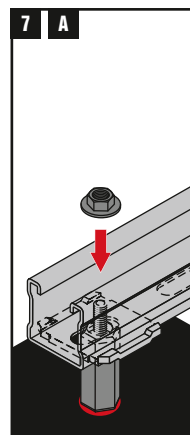
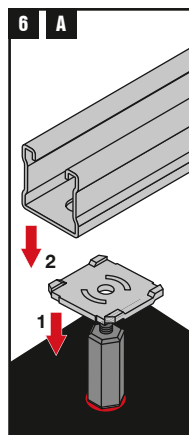


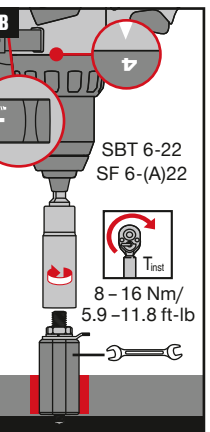
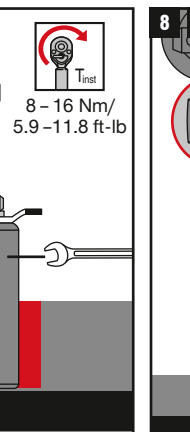
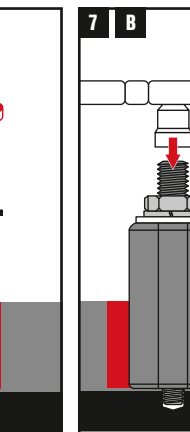
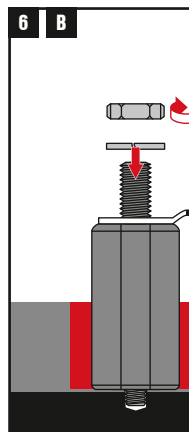
	SBT 6-22 SF 6-(A)22
	Torque tool 8Nm / 5.9 ft-lb
	S-NS 19 95 / 3 1/4"
	S-CG / X-BT PRG
	HDM
	HDE

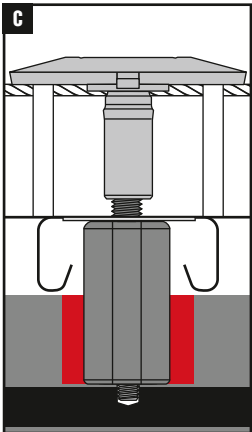


	Torque tool - 20Nm / 14.8 ft-lb
	S-NS 13 C 95 / 3 1/4"
	SW 19
	MQZ-L9-R/F
	MQ Channel
	M8 Wide Flange Nut

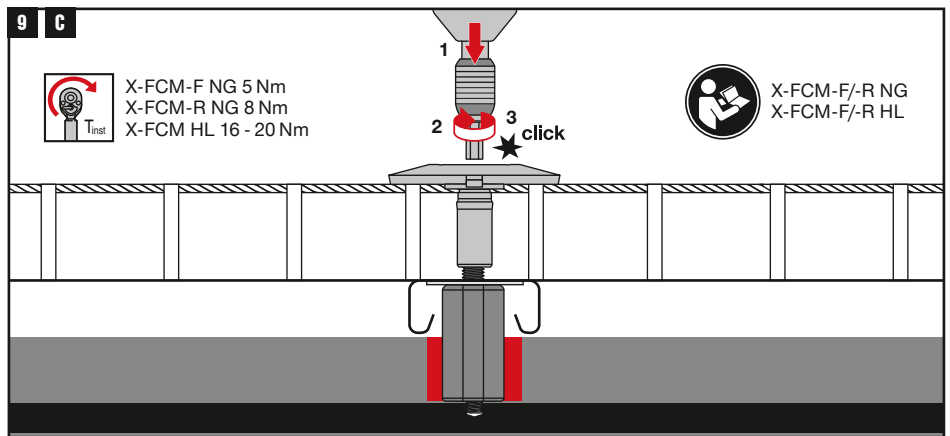
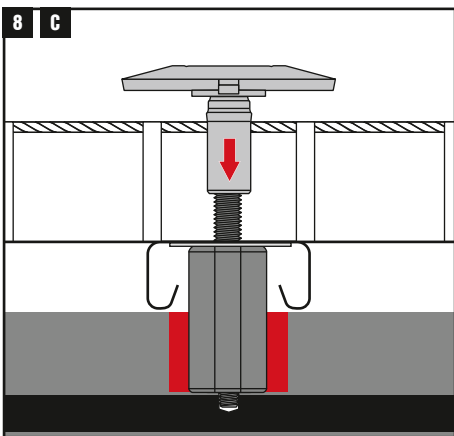
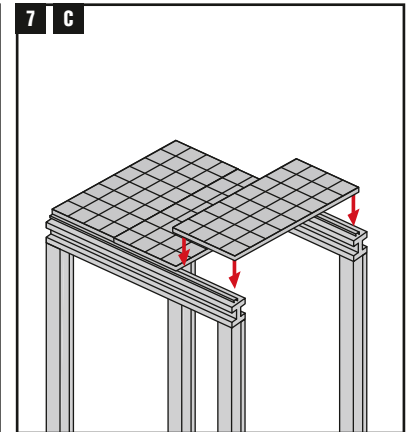
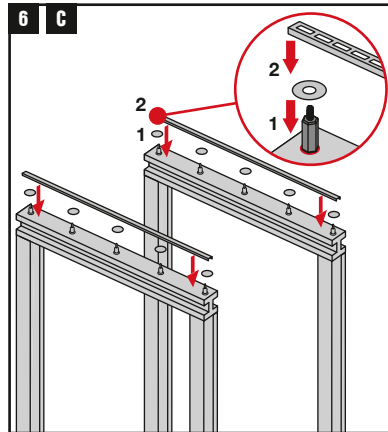


	Torque tool - 16Nm / 11.8 ft-lb
	S-NS 13 C 95 / 3 1/4"
	SW 19
	2x Hex Thin nut M8-R
	1x Spring washer M8-R





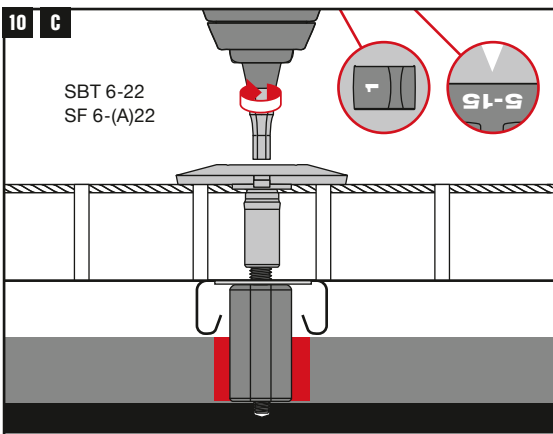
	Torque tool - 5 Nm / 3.7 ft-lb - 8 Nm / 5.9 ft-lb - 16Nm / 11.8 ft-lb
	SW 19
	M8 DIN 9021
	X-FCM NG X-FCM HL
	S-M CH50



X-FCM-F NG 5 Nm
X-FCM-R NG 8 Nm
X-FCM HL 16 - 20 Nm



X-FCM-F-R NG
X-FCM-F-R HL



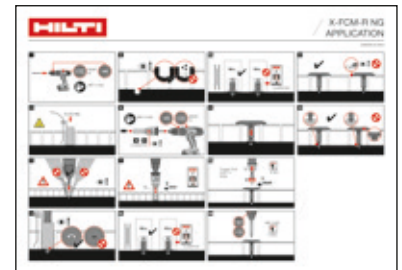
SBT 6-22
SF 6-(A)22



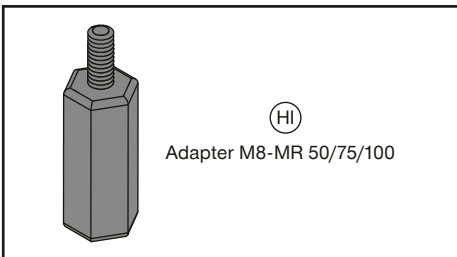
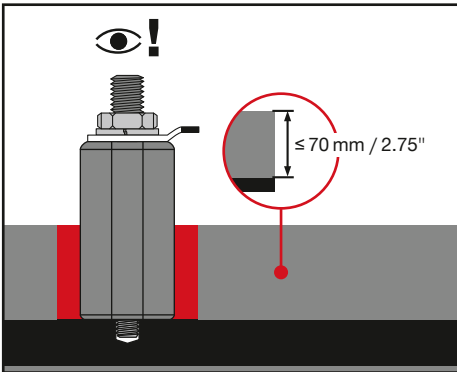
X-FCM-F-R NG
X-FCM-F-R HL



X-FCM-F NG 5 Nm	1	5
X-FCM-R NG 8 Nm	1	7
X-FCM-F HL 16 Nm	1	13
X-FCM-R HL 16-20 Nm	1	15



X-FCM-F-R NG
X-FCM-F-R HL



	S-BT-ER M8	X-BT-ER M8
	SBT 6-22 SF 6-(A)22	SF BT 22-A
	TS-BT 5.3 HC 95	TX-BT 4.7 HC 95
	S-CG	X-BT PRG

	Torque tool - 8 Nm / 5.9 ft-lb (adapter) - 16 Nm / 11.8 ft-lb (nut)
	S-NS 19 95 / 3 1/4" (adapter) S-NS 13 C 95/3 1/4" (nut)
	HDM
	HDE
1. ✓ 2. ✗	2× Hex Thin nut M8-R 1× Spring washer M8-R
	SW 19

