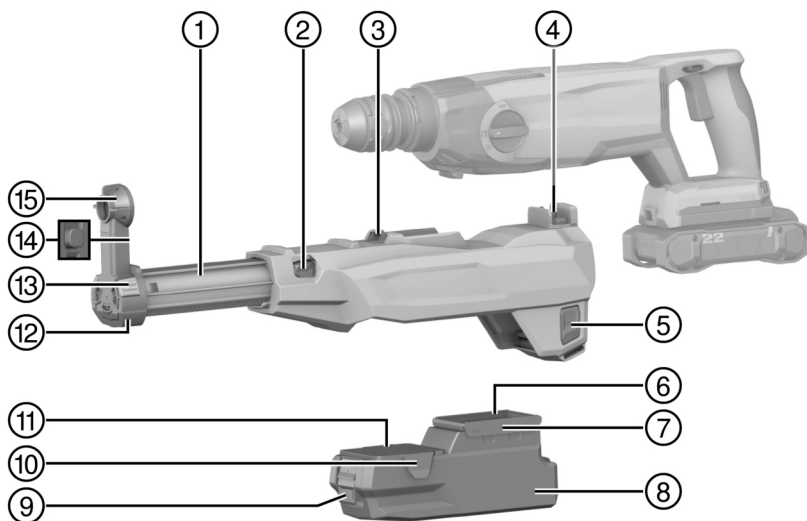


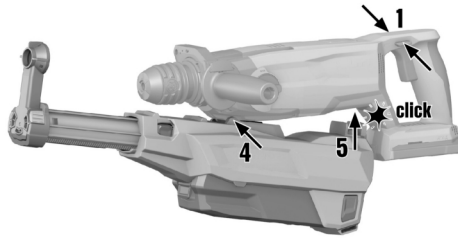


TE DRS-5

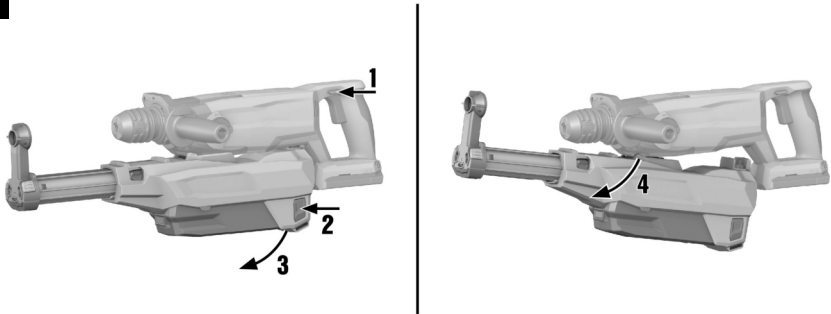
English	1
Français	8
Español	16
Português	24



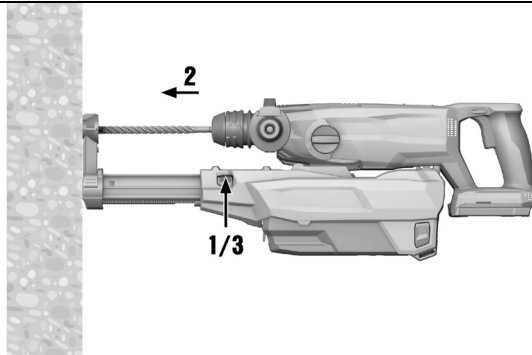
2



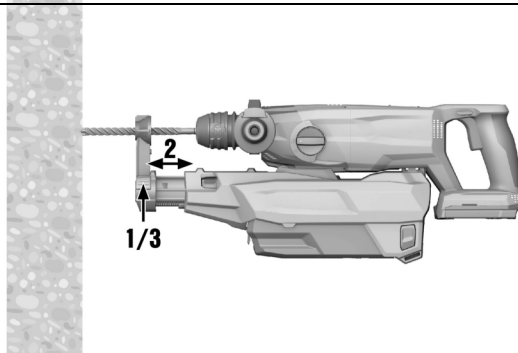
3



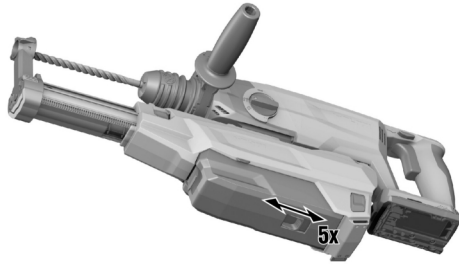
4



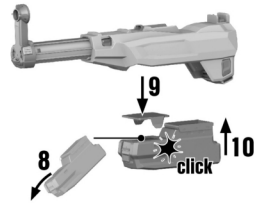
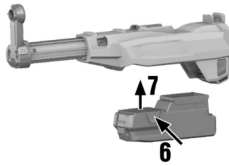
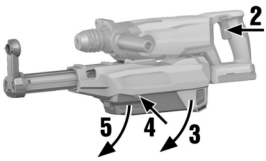
5



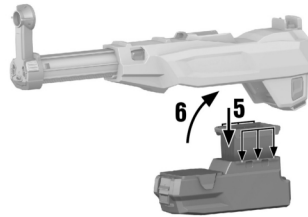
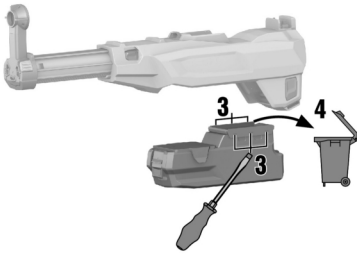
6



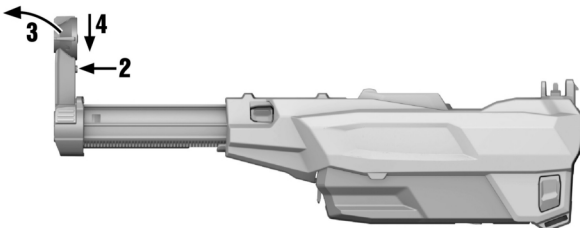
7



8



9



TE DRS-5

en	Original operating instructions	1
fr	Mode d'emploi original	8
es	Manual de instrucciones original	16
pt	Manual de instruções original	24

Original operating instructions

1 Information about the operating instructions

1.1 About these operating instructions

- Read these operating instructions before the product is used or operated for the first time. This is a prerequisite for safe, trouble-free handling and use of the product.
- Observe the safety instructions and warnings in these operating instructions and on the product.
- Always keep the operating instructions with the product and make sure that the product is accompanied by these operating instructions only, when the product is given to other persons.

1.2 Explanation of symbols

1.2.1 Warnings

Warnings alert persons to hazards that occur when handling or using the product. The following signal words are used:

DANGER

DANGER !

- ▶ Draws attention to imminent danger that will lead to serious personal injury or fatality.

WARNING

WARNING !

- ▶ Draws attention to a potential threat of danger that can lead to serious injury or fatality.

CAUTION

CAUTION !

- ▶ Draws attention to a potentially dangerous situation that could lead to personal injury or damage to the equipment or other property.

1.2.2 Symbols in the operating instructions

The following symbols are used in these operating instructions:

	Comply with the operating instructions
	Instructions for use and other useful information
	Dealing with recyclable materials
	Do not dispose of electric equipment and batteries as household waste
	Hilti Li-ion battery
	Hilti charger

1.2.3 Symbols in illustrations

The following symbols are used in illustrations:

2	These numbers refer to the illustrations at the beginning of these operating instructions.
3	The numbering reflects the sequence of operations shown in the illustrations and may deviate from the steps described in the text.
11	Item reference numbers are used in the overview illustration and refer to the numbers used in the key in the product overview section.
	These characters are intended to specifically draw your attention to certain points when handling the product.



1.3 Product information

products are designed for professional users and only trained, authorized personnel are permitted to operate, service and maintain the products. This personnel must be specifically informed about the possible hazards. The product and its ancillary equipment can present hazards if used incorrectly by untrained personnel or if used not in accordance with the intended use.

The type designation and serial number are printed on the rating plate.

- ▶ Write down the serial number in the table below. You will be required to state the product details when contacting Hilti Service or your local Hilti organization to inquire about the product.

Product information

Dust removal module	TE DRS-5
Generation	01
Serial no.	

2 Safety

2.1 General power tool safety warnings

WARNING Read all safety warnings, instructions, illustrations and specifications provided with this power tool. Failure to follow all instructions listed below may result in electric shock, fire and/or serious injury. **Save all warnings and instructions for future reference.**

The term "power tool" in the warnings refers to your mains-operated (corded) power tool or battery-operated (cordless) power tool.

Work area safety

- ▶ **Keep work area clean and well lit.** Cluttered or dark areas invite accidents.
- ▶ **Do not operate power tools in explosive atmospheres, such as in the presence of flammable liquids, gases or dust.** Power tools create sparks which may ignite the dust or fumes.
- ▶ **Keep children and bystanders away while operating a power tool.** Distractions can cause you to lose control.

Electrical safety

- ▶ **Power tool plugs must match the outlet. Never modify the plug in any way. Do not use any adapter plugs with earthed (grounded) power tools.** Unmodified plugs and matching outlets will reduce risk of electric shock.
- ▶ **Avoid body contact with earthed or grounded surfaces, such as pipes, radiators, ranges and refrigerators.** There is an increased risk of electric shock if your body is earthed or grounded.
- ▶ **Do not expose power tools to rain or wet conditions.** Water entering a power tool will increase the risk of electric shock.
- ▶ **Do not abuse the cord. Never use the cord for carrying, pulling or unplugging the power tool. Keep cord away from heat, oil, sharp edges or moving parts.** Damaged or entangled cords increase the risk of electric shock.
- ▶ **When operating a power tool outdoors, use an extension cord suitable for outdoor use.** Use of a cord suitable for outdoor use reduces the risk of electric shock.
- ▶ **If operating a power tool in a damp location is unavoidable, use a residual current device (RCD) protected supply.** Use of an RCD reduces the risk of electric shock.

Personal safety

- ▶ **Stay alert, watch what you are doing and use common sense when operating a power tool. Do not use a power tool while you are tired or under the influence of drugs, alcohol or medication.** A moment of inattention while operating power tools may result in serious personal injury.
- ▶ **Use personal protective equipment. Always wear eye protection.** Protective equipment such as a dust mask, non-skid safety shoes, hard hat or hearing protection used for appropriate conditions will reduce personal injuries.
- ▶ **Prevent unintentional starting. Ensure the switch is in the off-position before connecting to power source and/or battery pack, picking up or carrying the tool.** Carrying power tools with your finger on the switch or energising power tools that have the switch on invites accidents.
- ▶ **Remove any adjusting key or wrench before turning the power tool on.** A wrench or a key left attached to a rotating part of the power tool may result in personal injury.
- ▶ **Do not overreach. Keep proper footing and balance at all times.** This enables better control of the power tool in unexpected situations.



- ▶ **Dress properly. Do not wear loose clothing or jewellery. Keep your hair and clothing away from moving parts.** Loose clothes, jewellery or long hair can be caught in moving parts.
- ▶ **If devices are provided for the connection of dust extraction and collection facilities, ensure these are connected and properly used.** Use of dust collection can reduce dust-related hazards.
- ▶ **Do not let familiarity gained from frequent use of tools allow you to become complacent and ignore tool safety principles.** A careless action can cause severe injury within a fraction of a second.

Power tool use and care

- ▶ **Do not force the power tool. Use the correct power tool for your application.** The correct power tool will do the job better and safer at the rate for which it was designed.
- ▶ **Do not use the power tool if the switch does not turn it on and off.** Any power tool that cannot be controlled with the switch is dangerous and must be repaired.
- ▶ **Disconnect the plug from the power source and/or remove the battery pack, if detachable, from the power tool before making any adjustments, changing accessories, or storing power tools.** Such preventive safety measures reduce the risk of starting the power tool accidentally.
- ▶ **Store idle power tools out of the reach of children and do not allow persons unfamiliar with the power tool or these instructions to operate the power tool.** Power tools are dangerous in the hands of untrained users.
- ▶ **Maintain power tools and accessories. Check for misalignment or binding of moving parts, breakage of parts and any other condition that may affect the power tool's operation. If damaged, have the power tool repaired before use.** Many accidents are caused by poorly maintained power tools.
- ▶ **Keep cutting tools sharp and clean.** Properly maintained cutting tools with sharp cutting edges are less likely to bind and are easier to control.
- ▶ **Use the power tool, accessories and tool bits etc. in accordance with these instructions, taking into account the working conditions and the work to be performed.** Use of the power tool for operations different from those intended could result in a hazardous situation.
- ▶ **Keep handles and grasping surfaces dry, clean and free from oil and grease.** Slippery handles and grasping surfaces do not allow for safe handling and control of the tool in unexpected situations.

Battery tool use and care

- ▶ **Recharge only with the charger specified by the manufacturer.** A charger that is suitable for one type of battery pack may create a risk of fire when used with another battery pack.
- ▶ **Use power tools only with specifically designated battery packs.** Use of any other battery packs may create a risk of injury and fire.
- ▶ **When battery pack is not in use, keep it away from other metal objects, like paper clips, coins, keys, nails, screws or other small metal objects, that can make a connection from one terminal to another.** Shorting the battery terminals together may cause burns or a fire.
- ▶ **Under abusive conditions, liquid may be ejected from the battery; avoid contact. If contact accidentally occurs, flush with water. If liquid contacts eyes, additionally seek medical help.** Liquid ejected from the battery may cause irritation or burns.
- ▶ **Do not use a battery pack or tool that is damaged or modified.** Damaged or modified batteries may exhibit unpredictable behaviour resulting in fire, explosion or risk of injury.
- ▶ **Do not expose a battery pack or tool to fire or excessive temperature.** Exposure to fire or temperature above 130° C (265 °F) may cause explosion.
- ▶ **Follow all charging instructions and do not charge the battery pack or tool outside the temperature range specified in the instructions.** Charging improperly or at temperatures outside the specified range may damage the battery and increase the risk of fire.

Service

- ▶ **Have your power tool serviced by a qualified repair person using only identical replacement parts.** This will ensure that the safety of the power tool is maintained.
- ▶ **Never service damaged battery packs.** Service of battery packs should only be performed by the manufacturer or authorized service providers.

2.2 Additional safety instructions

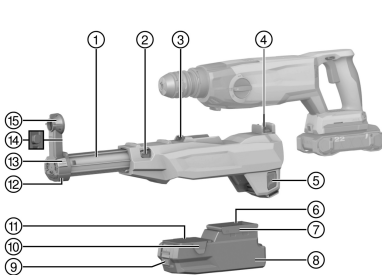
- ▶ Observe all safety instructions in these operating instructions and in the operating instructions of the Hilti rotary hammer drill.
- ▶ Use the product and accessories only when they are in perfect working order.
- ▶ Never tamper with or modify the product or accessories in any way.
- ▶ Risk of injury by falling tools and/or accessories. Before starting work, check that the battery and installed accessories are secure.



- ▶ Always use the auxiliary handle on the **Hilti** rotary hammer drill, even when the dust removal module is fitted.
- ▶ Take breaks between working and do physical exercises to improve the blood circulation in your fingers. Exposure to vibration during long periods of work can lead to disorders of the blood vessels and nervous system in the fingers, hands and wrists.
- ▶ Dust produced by grinding, sanding, cutting and drilling can contain dangerous chemicals. Some examples are: lead or lead-based paints; brick, concrete and other masonry products, natural stone and other products containing silicates; certain types of wood, such as oak, beech and chemically treated wood; asbestos or materials that contain asbestos. Determine the exposure of the operator and bystanders by means of the hazard classification of the materials to be worked. Implement the necessary measures to restrict exposure to a safe level, for example by the use of a dust collection system or by the wearing of suitable respiratory protection. The general measures for reducing exposure include:
 - ▶ working in an area that is well ventilated,
 - ▶ avoidance of prolonged contact with dust,
 - ▶ directing dust away from the face and body,
 - ▶ wearing protective clothing and washing exposed areas of the skin with water and soap.

3 Description

3.1 Product overview



- ① Total-travel adjuster
- ② Release for total-travel adjuster
- ③ Locking hook
- ④ Electrical interface
- ⑤ Release for dust removal module
- ⑥ Filter
- ⑦ Fastener for filter
- ⑧ Dust container
- ⑨ Dust container release
- ⑩ Fastener for dust-container lid
- ⑪ Dust-container lid
- ⑫ Depth gauge
- ⑬ Release for depth gauge
- ⑭ Release button for extraction head
- ⑮ Extraction head

3.2 Intended use

The product described is a dust removal module that is used as an accessory in combination with **Hilti** type TE 5-22 rotary hammer drills. It is used for active reduction of the dust load in drilling operations and it achieves this by means of an integrated, motor-driven extractor fan.

3.3 Items supplied

dust removal module, operating instructions

Other system products approved for use with this product can be found at your local **Hilti Store** or at: www.hilti.group

4 Technical data

Voltage		21.6 V
Suction		250 ℓ/min (66 liq. gal _{US} /min)
Weight		1.05 kg
With TE5-22	TE-CX XX/22	135 mm (5.3 in)



With TE5-22	TE-CX XX/17	85 mm (3.3 in)
	TE-CX XX/15	60 mm (2.4 in)
	TE-CX X" x 8"	5.3 in
	TE-CX X" x 6"	3.2 in

5 Preparations at the workplace

Observe the safety instructions and warnings in this documentation and on the product.

5.1 Fitting the dust removal module 2

1. Move the forward/reverse switch on the rotary hammer drill to the middle position.
2. Remove the depth gauge.
3. Turn the auxiliary handle to a position where it is not in the way.
4. Hook the dust removal module into the locking pins on the rotary hammer drill.



When hooking the module into position, be sure to pass the accessory tool of the rotary hammer drill through the extraction head of the dust removal module.

5. Press the electrical interface into the rotary hammer drill until the dust removal module engages with an audible click.
6. Check that the dust removal module is correctly engaged.

5.2 Removing the dust removal module 3

1. Move the forward/reverse switch on the rotary hammer drill to the middle position.
2. Press and hold down the catch on the dust removal module.
3. Pull the electrical interface out of the rotary hammer drill.
4. Unhook the dust removal module from the locking pins on the rotary hammer drill.

5.3 Adjusting total travel 4

1. Press and hold down the release for the total travel adjuster.
2. With the accessory tool fitted, press the rotary hammer drill against the working surface until the accessory tool is in contact with the working surface.
 - ▶ Total travel is set to the length of the accessory tool.
3. Let go of the release for the total travel adjuster.

5.4 Adjusting the depth gauge 5



If drilling depth has to be exact, drill test holes to establish the correct depth.

1. Press and hold down the release of the depth gauge.
2. Slide the depth gauge to the desired drilling depth.
3. Let go of the release of the depth gauge.

5.5 Bump-cleaning filter (US version) 6



Clean the filter after drilling 5 holes (12 mm x 50 mm) (1/2 in x 2 in).

- ▶ When suction power diminishes, operate the cleaning mechanism and let it snap back to its original position (do this 5 times).



**WARNING****Risk of injury with battery inserted !**

- ▶ Always remove the battery before carrying out care and maintenance tasks!
-

Care of the product

- Carefully remove stubborn dirt.
- Carefully clean the air vents, if present, with a dry, soft brush.
- Use only a slightly damp cloth to clean the housing. Do not use cleaning agents containing silicone as these can attack the plastic parts.
- Use a dry, clean cloth to clean the contacts of the product.

Care of the Li-ion batteries

- Never use a battery with clogged air vents. Clean the air vents carefully using a dry, soft brush.
- Avoid unnecessary exposure of the battery to dust and dirt. Never expose the battery to high levels of moisture (e.g. by being dipped in water or left in the rain).
If a battery has been soaked by moisture, treat it as a damaged battery. Isolate it in a non-flammable container and consult **Hilti Service**.
- Keep the battery free of extraneous oil and grease. Do not permit dust or dirt to accumulate unnecessarily on the battery. Clean the battery with a dry, soft brush or a clean, dry cloth. Do not use cleaning agents containing silicone as these can attack the plastic parts.
Do not touch the contacts of the battery and do not remove the factory-applied grease from the contacts.
- Use only a slightly damp cloth to clean the housing. Do not use cleaning agents containing silicone as these can attack the plastic parts.

Maintenance

- Check all visible parts and controls for signs of damage at regular intervals and make sure that they all function correctly.
- Do not use the product if signs of damage are found or if parts malfunction. Immediately have the product repaired by **Hilti Service**.
- After cleaning and maintenance, install all guards and protective devices and check that they are in full working order.



To help ensure safe and reliable operation, use only genuine Hilti spare parts and consumables. Spare parts, consumables and accessories approved by **Hilti** for use with your product can be found at your **Hilti Store** or online at: www.hilti.group

6.1 Emptying dust container 7

1. Hold the installed dust removal module horizontal.
2. Repeatedly press the on / off switch on the rotary hammer drill to draw the last of the dust into the dust container.
3. Remove the dust removal module. → page 5
4. Press and hold down the release of the dust container.
5. Pull the dust container forward and out of the dust removal module.
6. Release the fastener of the dust-container lid.
7. Remove the dust-container lid.
8. Empty the dust container.
9. Press the dust-container lid on to the dust container until both fasteners engage.
10. Push the dust container into the dust removal module until it engages.
 - ▶ Check that the dust container is seated securely in the dust removal module.

6.2 Changing the filter 3

1. Remove the dust removal module. → page 5
2. Empty the dust container. → page 6
3. Use a flat-blade screwdriver to release the fasteners of the filter.
4. Remove the filter and dispose of the filter.



5. Press the new filter into the dust container until all the fasteners engage.
 - ▶ Check that the filter is seated securely in the dust container.
6. Push the dust container into the dust removal module until the release engages.
 - ▶ Check that the dust container is seated securely in the dust removal module.

6.3 Changing extraction head

1. Remove the dust removal module. → page 5
2. Press and hold down the release button on the extraction head.
3. Pull the extraction head up and out of the depth gauge.
4. Press the new extraction head into the depth gauge until the extraction head engages.

7 Transport and storage of cordless tools and batteries

Transport

CAUTION

Accidental starting during transport !

- ▶ Always transport your products with the batteries removed!
- ▶ Remove the battery/batteries.
- ▶ Never transport batteries loose and unprotected. During transport, batteries should be protected from excessive shock and vibration and isolated from any conductive materials or other batteries that may come in contact with the terminals and cause a short circuit. **Comply with the locally applicable regulations for transporting batteries.**
- ▶ Do not send batteries through the mail. Consult your shipper for instructions on how to ship undamaged batteries.
- ▶ Prior to each use and before and after prolonged transport, check the product and the batteries for damage.

Storage

WARNING

Accidental damage caused by defective or leaking batteries !

- ▶ Always store your products with the batteries removed!
- ▶ Store the product and the batteries in a cool and dry place. Comply with the temperature limits stated in the technical data.
- ▶ Do not store batteries on the charger. Always remove the battery from the charger when the charging operation has completed.
- ▶ Never leave batteries in direct sunlight, on sources of heat, or behind glass.
- ▶ Store the product and batteries where they cannot be accessed by children or unauthorized persons.
- ▶ Prior to each use and before and after prolonged storage, check the product and the batteries for damage.

8 Troubleshooting

If the trouble you are experiencing is not listed in this table or you are unable to remedy the problem by yourself, please contact **Hilti** Service.

Trouble or fault	Possible cause	Action to be taken
An excessive amount of dust is generated.	Dust container full.	▶ Empty the dust container.
	Dust container or filter faulty.	▶ Replace the dust container or filter.
	Extraction head faulty.	▶ Change the extraction head.
	Brush in extraction head worn.	▶ Change the extraction head.
Drill bit not centered in extraction head.	Dust removal module not installed correctly.	▶ Push the dust removal module on to the tool until it engages.




9 Disposal

WARNING

Risk of injury due to incorrect disposal! Health hazards due to escaping gases or liquids.

- ▶ DO NOT send batteries through the mail!
- ▶ Cover the terminals with a non-conductive material (such as electrical tape) to prevent short circuiting.
- ▶ Dispose of your battery out of the reach of children.
- ▶ Dispose of the battery at your **Hilti Store**, or consult your local governmental garbage disposal or public health and safety resources for disposal instructions.

 Most of the materials from which **Hilti** products are manufactured can be recycled. The materials must be correctly separated before they can be recycled. In many countries, your old tools, machines or appliances can be returned to **Hilti** for recycling. Ask **Hilti Service** or your Hilti sales representative for further information.



- ▶ Do not dispose of power tools, electronic equipment or batteries as household waste!

10 Manufacturer's warranty

- ▶ Please contact your local **Hilti** representative if you have questions about the warranty conditions.

11 Further information

For more information on operation, technology, environment and recycling, follow this link: qr.hilti.com/manual/?id=0000000

This link is also to be found at the end of the operating instructions, in the form of a QR code.

Mode d'emploi original

1 Indications relatives au mode d'emploi

1.1 À propos de ce mode d'emploi

- Avant de mettre l'appareil en marche, lire impérativement ce mode d'emploi. C'est la condition préalablement requise pour assurer la sécurité du travail et un maniement sans perturbations.
- Bien respecter les consignes de sécurité et les avertissements du présent mode d'emploi ainsi que celles figurant sur le produit.
- Toujours conserver le mode d'emploi à proximité du produit et uniquement transmettre le produit à des tiers accompagné de ce mode d'emploi.

1.2 Explication des symboles

1.2.1 Avertissements

Les avertissements attirent l'attention sur des dangers liés à l'utilisation du produit. Les termes de signalisation suivants sont utilisés :

DANGER

DANGER !

- ▶ Pour un danger imminent qui peut entraîner de graves blessures corporelles ou la mort.

AVERTISSEMENT

AVERTISSEMENT !

- ▶ Pour un danger potentiel qui peut entraîner de graves blessures corporelles ou la mort.



⚠ ATTENTION

ATTENTION !

- Pour une situation potentiellement dangereuse pouvant entraîner des blessures corporelles ou des dégâts matériels.

1.2.2 Symboles dans le manuel d'utilisation

Les symboles suivants sont utilisés dans le présent manuel d'utilisation :

	Respecter le manuel d'utilisation
	Pour des conseils d'utilisation et autres informations utiles
	Maniement des matériaux recyclables
	Ne pas jeter les appareils électriques et les accus dans les ordures ménagères
	Hilti Accu Li-Ion
	Hilti Chargeur

1.2.3 Symboles dans les illustrations

Les symboles suivants sont utilisés dans les illustrations :

	Ces chiffres renvoient à l'illustration correspondante au début du présent manuel d'utilisation.
	La numérotation détermine la séquence des étapes de travail dans l'image et peut se différencier de celles des étapes de travail dans le texte.
	Les numéros de position sont utilisés dans l'illustration Vue d'ensemble et renvoient aux numéros des légendes dans la section Vue d'ensemble du produit .
	Ce signe doit inviter à manier le produit en faisant particulièrement attention.

1.3 Informations produit

Les produits sont destinés aux professionnels et ne doivent être utilisés, entretenus et réparés que par un personnel autorisé et formé. Ce personnel doit être spécialement instruit quant aux dangers inhérents à l'utilisation de l'appareil. Le produit et ses accessoires peuvent s'avérer dangereux s'ils sont utilisés de manière incorrecte par un personnel non qualifié ou de manière non conforme à l'usage prévu.

La désignation du modèle et le numéro de série figurent sur sa plaque signalétique.

- Inscrivez le numéro de série dans le tableau suivant. Les informations produit vous seront demandées lorsque vous contactez nos revendeurs ou services après-vente.

Caractéristiques du produit

Récupérateur de poussières	TE DRS-5
Génération	01
N° de série	

2 Sécurité

2.1 Indications générales de sécurité pour les appareils électriques

⚠ AVERTISSEMENT Lire toutes les consignes de sécurité et instructions, illustrations et caractéristiques techniques, qui accompagnent cet outil électroportatif. Tout manquement à l'observation des instructions suivantes risque de provoquer une électrocution, un incendie et/ou de graves blessures.

Les consignes de sécurité et instructions doivent être intégralement conservées pour les utilisations futures.

La notion d'« outil électroportatif » mentionnée dans les consignes de sécurité se rapporte à des outils électriques raccordés au secteur (avec câble d'alimentation) et à des outils électriques sur accu (sans câble d'alimentation).



Sécurité sur le lieu de travail

- ▶ **Conserver la zone de travail propre et bien éclairée.** Un lieu de travail en désordre ou mal éclairé augmente le risque d'accidents.
- ▶ **Ne pas faire fonctionner les outils électriques en atmosphère explosive et où se trouvent des liquides, des gaz ou poussières inflammables.** Les outils électriques produisent des étincelles qui peuvent enflammer les poussières ou les fumées.
- ▶ **Maintenir les enfants et les personnes présentes à l'écart pendant l'utilisation de l'outil électroportatif.** En cas d'inattention il y a risque de perdre le contrôle de l'appareil.

Sécurité relative au système électrique

- ▶ **La fiche de secteur de l'outil électroportatif doit être adaptée à la prise de courant. Ne jamais modifier la fiche de quelque façon que ce soit. Ne pas utiliser d'adaptateurs avec des outils électriques à branchement de terre.** Des fiches non modifiées et des prises de courant adaptées réduiront le risque de choc électrique.
- ▶ **Éviter le contact physique avec des surfaces mises à la terre tels que tuyaux, radiateurs, cuisinières et réfrigérateurs.** Il y a un risque élevé de choc électrique au cas où votre corps serait relié à la terre.
- ▶ **Ne pas exposer les outils électroportatifs à la pluie ou à l'humidité.** La pénétration d'eau à l'intérieur d'un outil électroportatif augmentera le risque d'un choc électrique.
- ▶ **Ne jamais utiliser le câble de raccordement à d'autres fins que celles prévues, telles que pour porter, accrocher ou débrancher l'outil électroportatif de la prise de courant. Maintenir le câble de raccordement à l'écart de la chaleur, des bords tranchants ou des parties en mouvement.** Des câbles de raccordement endommagés ou emmêlés augmentent le risque de choc électrique.
- ▶ **Si l'outil électroportatif est utilisé à l'extérieur, utiliser uniquement des câbles de rallonge homologués pour les applications extérieures.** L'utilisation d'un câble de rallonge homologué pour les applications extérieures réduit le risque d'un choc électrique.
- ▶ **Si l'utilisation de l'outil électrique dans un environnement humide ne peut pas être évitée, utiliser un interrupteur de protection contre les courants de court-circuit.** L'utilisation d'un tel interrupteur de protection réduit le risque d'une décharge électrique.

Sécurité des personnes

- ▶ **Rester vigilant, surveiller ce que l'on fait. Faire preuve de bon sens en utilisant l'outil électroportatif. Ne pas utiliser l'outil électroportatif en étant fatigué ou sous l'emprise de l'alcool, de drogues ou de médicaments.** Un moment d'inattention lors de l'utilisation de l'outil électroportatif peut entraîner des blessures graves.
- ▶ **Utiliser un équipement de protection personnel et toujours porter une protection pour les yeux.** Les équipements de protection personnels tels que masque antipoussière, chaussures de sécurité antidérapantes, casque de protection ou protection acoustique suivant l'utilisation de l'outil électroportatif, réduiront le risque de blessures des personnes.
- ▶ **Éviter une mise en service par mégarde. S'assurer que l'outil électroportatif est arrêté avant de le brancher à la source de courant et/ou à l'accu, de le prendre ou de le porter.** Le fait de porter l'outil électroportatif avec le doigt sur l'interrupteur ou de brancher l'appareil sur la source de courant lorsque l'interrupteur est en position de fonctionnement peut entraîner des accidents.
- ▶ **Retirer tout outil de réglage ou toute clé avant de mettre l'outil électroportatif en fonctionnement.** Une clé ou un outil se trouvant sur une partie en rotation peut causer des blessures.
- ▶ **Adopter une bonne posture. Veiller à toujours garder une position stable et équilibrée.** Cela permet un meilleur contrôle de l'outil électroportatif dans des situations inattendues.
- ▶ **S'habiller de manière adaptée. Ne pas porter de vêtements amples ni de bijoux. Garder les cheveux, les vêtements et les gants à distance des parties en mouvement.** Des vêtements amples, des bijoux ou des cheveux longs peuvent être happés par des parties en mouvement.
- ▶ **Si des dispositifs servant à aspirer ou à recueillir les poussières doivent être utilisés, s'assurer qu'ils sont effectivement raccordés et correctement utilisés.** L'utilisation d'un dispositif d'aspiration de la poussière peut réduire les risques dus aux poussières.
- ▶ **Ne pas sous-estimer les mesures de sécurité à prendre et ne pas ignorer sciemment les règles de sécurité applicables aux outils électriques, même si l'on est utilisateur chevronné après de fréquentes utilisations de l'outil électroportatif.** Un manque d'attention peut conduire à de graves blessures en quelques fractions de seconde.

Utilisation et maniement de l'outil électroportatif

- ▶ **Ne pas forcer l'appareil. Utiliser l'outil électroportatif adapté au travail à effectuer.** Un outil électroportatif approprié réalisera mieux le travail et de manière plus sûre au régime pour lequel il a été conçu.



- ▶ **Ne pas utiliser d'outil électroportatif dont l'interrupteur est défectueux.** Tout outil électroportatif qui ne peut plus être mis en ou hors fonctionnement est dangereux et doit être réparé.
- ▶ **Débrancher la fiche de la prise de courant et/ou l'accu amovible avant d'effectuer des réglages sur l'appareil, de changer les accessoires, ou de ranger l'appareil.** Cette mesure de précaution empêche une mise en fonctionnement par mégarde de l'outil électroportatif.
- ▶ **Conserver les outils électroportatifs non utilisés hors de portée des enfants. Ne permettre l'utilisation de l'appareil à aucune personne qui ne soit pas familiarisée avec celui-ci ou qui n'a pas lu ces instructions.** Les outils électroportatifs sont dangereux lorsqu'ils sont entre les mains de personnes non initiées.
- ▶ **Prendre soin des outils électroportatifs et des accessoires. Vérifier que les parties en mouvement fonctionnent correctement et qu'elles ne sont pas coincées, et contrôler si des parties sont cassées ou endommagées de sorte que le bon fonctionnement de l'outil électroportatif s'en trouve entravé. Faire réparer les parties endommagées avant d'utiliser l'appareil.** De nombreux accidents sont dus à des outils électroportatifs mal entretenus.
- ▶ **Garder les outils de coupe affûtés et propres.** Des outils destinés à couper correctement entretenus avec des arêtes de coupe tranchantes sont moins susceptibles de bloquer et sont plus faciles à contrôler.
- ▶ **L'outil électroportatif, les accessoires, les outils amovibles, etc. doivent être utilisés conformément à ces instructions. Tenir également compte des conditions de travail et du travail à réaliser.** L'utilisation des outils électroportatifs à d'autres fins que celles prévues peut entraîner des situations dangereuses.
- ▶ **Veiller à ce que les poignées et surfaces de préhension soient toujours être sèches, propres et exemptes de traces de graisse ou d'huile.** Avec des poignées et surfaces de préhension glissantes, la sécurité et le contrôle de l'outil électroportatif ne peuvent être assurés dans des situations inopinées.

Utilisation et maniement de l'outil sur accu

- ▶ **Ne charger les accus que dans des chargeurs recommandés par le fabricant.** Si un chargeur approprié à un type spécifique d'accus est utilisé avec des accus non recommandés pour celui-ci, il y a risque d'incendie.
- ▶ **Dans les outils électroportatifs, utiliser uniquement les accus spécialement prévus pour ceux-ci.** L'utilisation de tout autre accu peut entraîner des blessures et des risques d'incendie.
- ▶ **Tenir l'accu non utilisé à l'écart de tous objets métalliques tels qu'agrafes, pièces de monnaie, clés, clous, vis ou autres, étant donné qu'un pontage peut provoquer un court-circuit.** Un court-circuit entre les contacts d'accu peut provoquer des brûlures ou un incendie.
- ▶ **En cas d'utilisation abusive, du liquide peut sortir de l'accu. Éviter tout contact avec ce liquide. En cas de contact par mégarde, rincer soigneusement avec de l'eau. Au cas où le liquide rentrerait dans les yeux, consulter en plus un médecin.** Le liquide qui sort de l'accu peut entraîner des irritations de la peau ou causer des brûlures.
- ▶ **Ne pas utiliser d'accu endommagé ou modifié.** Des accus endommagés ou modifiés peuvent avoir un comportement imprévisible et provoquer un incendie, une explosion ou engendrer un risque de blessures.
- ▶ **Ne jamais exposer l'accu au feu ou à des températures trop élevées.** Le feu ou des températures supérieures à 130 °C (265 °F) peuvent provoquer une explosion.
- ▶ **Suivre toutes les instructions de charge et ne jamais charger l'accu ou l'outil sur accu hors de la plage de températures spécifiée dans le manuel d'utilisation.** Une charge inappropriée ou hors de la plage de températures spécifiée risque d'endommager l'accu et accroître le risque d'incendie.

Service

- ▶ **L'outil électroportatif doit uniquement être réparé par un personnel qualifié et seulement avec des pièces de rechange d'origine.** Ceci permet d'assurer la sécurité de l'appareil.
- ▶ **Ne jamais entretenir d'accus endommagés.** Toutes les opérations d'entretien sur des accus doivent exclusivement être réalisées par le fabricant ou un prestataire de service client agréé.

2.2 Consignes de sécurité supplémentaires

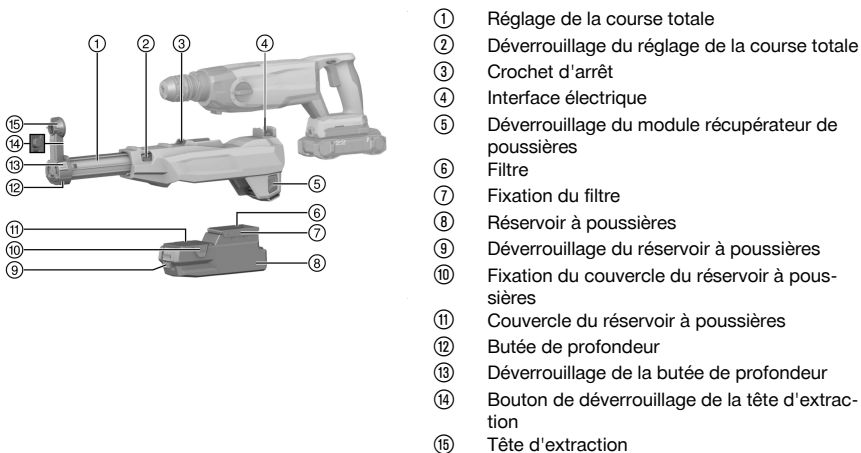
- ▶ Respecter toutes les consignes de sécurité de le présent mode d'emploi ainsi que celles figurant dans le mode d'emploi du perforateur-burineur **Hilti**.
- ▶ Utiliser le produit et les accessoires uniquement s'ils sont en parfait état.
- ▶ Ne jamais entreprendre de manipulation ni de modification sur le produit ou les accessoires.
- ▶ Risque de blessures dues à la chute d'outils et/ou d'accessoires. Avant de commencer à travailler, contrôler si l'accu et l'accessoire monté sont solidement fixés.
- ▶ Même si le module récupérateur de poussières est monté, toujours utiliser la poignée latérale du perforateur-burineur **Hilti**.



- ▶ Faire régulièrement des pauses et des exercices de massage des doigts pour favoriser l'irrigation sanguine dans les doigts. Lors d'un travail prolongé, les vibrations peuvent provoquer des troubles de la circulation sanguine ou du système nerveux des doigts, des mains ou du poignet.
- ▶ La poussière générée par le meulage, le ponçage, le tronçonnage et le forage peut contenir des produits chimiques dangereux. Par exemple : plomb ou peinture à base de plomb ; brique, béton et autres produits de maçonnerie, pierre naturelle et autres produits contenant des silicates ; certains bois, tels que le chêne, le hêtre et le bois traité chimiquement ; amiante ou matériaux contenant de l'amiante. Déterminer l'exposition de l'opérateur et personnes se trouvant dans l'entourage en fonction de la classe de danger des matériaux traités. Prendre les mesures nécessaires pour maintenir l'exposition à un niveau sûr, par exemple en utilisant un système de collecte des poussières ou en portant une protection respiratoire appropriée. Mesures générales visant à réduire l'exposition :
 - ▶ Travailler dans un endroit bien ventilé
 - ▶ Éviter le contact prolongé avec la poussière
 - ▶ Faire en sorte que la poussière soit dirigée loin du visage et du corps
 - ▶ Porter des vêtements de protection et laver les zones exposées à l'eau et au savon

3 Description

3.1 Vue d'ensemble du produit



- ① Réglage de la course totale
- ② Déverrouillage du réglage de la course totale
- ③ Crochet d'arrêt
- ④ Interface électrique
- ⑤ Déverrouillage du module récupérateur de poussières
- ⑥ Filtre
- ⑦ Fixation du filtre
- ⑧ Réservoir à poussières
- ⑨ Déverrouillage du réservoir à poussières
- ⑩ Fixation du couvercle du réservoir à poussières
- ⑪ Couvercle du réservoir à poussières
- ⑫ Butée de profondeur
- ⑬ Déverrouillage de la butée de profondeur
- ⑭ Bouton de déverrouillage de la tête d'extraction
- ⑮ Tête d'extraction

3.2 Utilisation conforme à l'usage prévu

Le produit décrit est un module récupérateur de poussières utilisé en tant qu'accessoire en association avec les perforateurs-burineurs **Hilti** de type TE_5-22. Il sert à réduire activement l'exposition à la poussière lors du perçage grâce à un ventilateur d'aspiration intégré entraîné par moteur.

3.3 Éléments livrés

Module récupérateur de poussières , mode d'emploi

D'autres produits système pour votre produit peuvent être trouvés dans votre **Hilti Store** ou à l'adresse : www.hilti.group

4 Caractéristiques techniques

Tension		21,6 V
Puissance d'aspiration		250 l/min (66 liq. gal _{US} /min)
Poids		1,05 kg
Avec TE5-22	TE-CX XX/22	135 mm (5,3 in)



Avec TE5-22	TE-CX XX/17	85 mm (3,3 in)
	TE-CX XX/15	60 mm (2,4 in)
	TE-CX X" x 8"	5,3 in
	TE-CX X" x 6"	3,2 in

5 Préparatifs

Bien respecter les consignes de sécurité et les avertissements de la présente documentation ainsi que celles figurant sur le produit.

5.1 Montage du récupérateur de poussières 2

1. Mettre en position médiane l'inverseur du sens de rotation droite/gauche du perforateur-burineur.
2. Démontez la butée de profondeur.
3. Tourner la poignée supplémentaire de manière à ce qu'elle ne gêne pas.
4. Accrocher le module récupérateur de poussières dans les goupilles d'arrêt sur le perforateur-burineur.



Lors de l'accrochage, veiller à faire passer l'outil amovible du perforateur-burineur dans la tête d'extraction du module récupérateur de poussières.

5. Enfoncer l'interface électrique dans le perforateur-burineur jusqu'à ce que le module récupérateur de poussières s'encliquette de manière audible.
6. Vérifier que le module récupérateur de poussières est bien encliqueté.

5.2 Démontage du récupérateur de poussières 3

1. Mettre en position médiane l'inverseur du sens de rotation droite/gauche du perforateur-burineur.
2. Appuyer sur le verrouillage du module récupérateur de poussières et le maintenir enfoncé.
3. Débrancher l'interface électrique du perforateur-burineur.
4. Décrocher le module récupérateur de poussières des goupilles d'arrêt sur le perforateur-burineur.

5.3 Régler la course totale 4

1. Actionner et maintenir enfoncée le déverrouillage du réglage de la course totale.
2. Appuyer le perforateur-burineur équipé de son outil amovible contre le matériau support jusqu'à ce que l'outil amovible touche ce dernier.
 - La course totale est réglée sur la longueur de l'outil amovible.
3. Relâcher le déverrouillage du réglage de la course totale.

5.4 Réglage de la butée de profondeur 5



Si une profondeur de perçage précise est requise, il faut la déterminer en effectuant des essais.

1. Appuyer sur le déverrouillage de la butée de profondeur et le maintenir enfoncé.
2. Pousser la butée de profondeur jusqu'à la profondeur de perçage souhaitée.
3. Relâcher le déverrouillage de la butée de profondeur.

5.5 Nettoyage du filtre (version US) 6



Nettoyer le filtre après 5 trous (12 mm x 50 mm) (1/2 in x 2 in).

- Si la puissance d'aspiration diminue, actionner le mécanisme de nettoyage et laisser le mécanisme revenir à sa position initiale (5x).



**AVERTISSEMENT****Risque de blessures lorsque l'accu est inséré !**

- ▶ Toujours retirer l'accu avant tous travaux de nettoyage et d'entretien !

Entretien du produit

- Éliminer avec précaution les saletés récalcitrantes.
- Le cas échéant, nettoyer soigneusement les ouïes d'aération à l'aide d'une brosse sèche et douce.
- Nettoyer le carter de l'appareil uniquement avec un chiffon légèrement humide. Ne pas utiliser de nettoyeurs à base de silicone car ceci pourrait attaquer les pièces en plastique.
- Utiliser un chiffon propre et sec pour nettoyer les contacts du produit.

Entretien des accus Li-ion

- Ne jamais utiliser un accu dont les ouïes d'aération sont bouchées. Nettoyer soigneusement les ouïes d'aération à l'aide d'une brosse sèche et douce.
- Éviter d'exposer inutilement l'accu à la poussière ou à la saleté. Ne jamais exposer l'accu à une forte humidité (par exemple en l'immergeant dans de l'eau ou en le laissant sous la pluie).
Si l'accu a été trempé, le traiter comme un accu endommagé. L'isoler dans un récipient ininflammable et s'adresser au S.A.V. **Hilti**.
- Veiller à ce que l'accu soit toujours exempt de traces de graisse et d'huile étrangères. Ne pas laisser de la poussière ou de la saleté s'accumuler inutilement sur l'accu. Nettoyer l'accu avec une brosse sèche et douce ou un chiffon propre et sec. Ne pas utiliser de nettoyeurs à base de silicone car ceci pourrait attaquer les pièces en plastique.
Ne pas toucher les contacts de l'accu et ne pas enlever la graisse appliquée en usine sur les contacts.
- Nettoyer le carter de l'appareil uniquement avec un chiffon légèrement humide. Ne pas utiliser de nettoyeurs à base de silicone car ceci pourrait attaquer les pièces en plastique.

Entretien

- Vérifier régulièrement qu'aucune pièce visible n'est endommagée et que les organes de commande sont parfaitement opérationnels.
- Ne pas utiliser le produit en cas d'endommagements et/ou de dysfonctionnements. Faire immédiatement réparer le produit par le S.A.V. **Hilti**.
- Après des travaux de nettoyage et d'entretien, vérifier si tous les équipements de protection sont bien en place et fonctionnent parfaitement.



Pour une utilisation en toute sécurité, utiliser uniquement des pièces de rechange et consommables d'origine. Vous trouverez les pièces de rechange, consommables et accessoires autorisés par **Hilti** convenant pour votre produit dans le centre **Hilti Store** ou sous : www.hilti.group

6.1 Vider le réservoir à poussières 7

1. Tenir le module récupérateur de poussières monté à l'horizontale.
2. Actionner plusieurs fois l'interrupteur Marche/Arrêt sur le perforateur-burineur pour aspirer les résidus de poussière dans le réservoir à poussières.
3. Démontez le récupérateur de poussières. → Page 13
4. Appuyer sur le déverrouillage réservoir à poussières et le maintenir enfoncé.
5. Tirer le réservoir à poussières vers l'avant hors du module récupérateur de poussières.
6. Détacher la fixation du couvercle du réservoir à poussières.
7. Enlevez le couvercle du réservoir à poussières.
8. Vider le réservoir à poussières.
9. Appuyer le couvercle du réservoir à poussières sur le réservoir à poussières jusqu'à ce que les deux fixations s'enclenchent.
10. Introduire le réservoir à poussières dans le module récupérateur de poussières jusqu'à ce qu'il s'enclenche.
 - ▶ Vérifier que le réservoir à poussières soit bien positionné dans le module récupérateur de poussières.

6.2 Remplacement du filtre 8

1. Démontez le récupérateur de poussières. → Page 13
2. Vider le réservoir à poussières. → Page 14



3. Détacher les fixations du filtre avec un tournevis plat.
4. Retirer le filtre et l'éliminer.
5. Enfoncer le nouveau filtre dans le réservoir à poussières jusqu'à ce que toutes les fixations s'enclenchent.
 - ▶ Vérifier que le filtre soit bien positionné dans le réservoir à poussières.
6. Introduire le réservoir à poussières dans le module récupérateur de poussières jusqu'à ce que le déverrouillage s'enclenche.
 - ▶ Vérifier que le réservoir à poussières soit bien positionné dans le module récupérateur de poussières.

6.3 Remplacement de la tête d'extraction

1. Démontez le récupérateur de poussières. → Page 13
2. Appuyer sur le bouton de déverrouillage et le maintenir enfoncé sur la tête d'extraction.
3. Sortir la tête d'extraction de la butée de profondeur par le haut.
4. Enfoncer la nouvelle tête d'extraction dans la butée de profondeur jusqu'à ce que la tête d'extraction s'enclenche.

7 Transport et stockage des outils sur accu et des accus

Transport

ATTENTION

Mise en marche inopinée lors du transport !

- ▶ Toujours retirer les accus avant de transporter les produits !
- ▶ Retirer le ou les accus.
- ▶ Ne jamais transporter les accus en vrac. Pendant le transport, les accus doivent être protégés des vibrations et chocs excessifs, isolés de tout matériau conducteur ou autre accu, pour éviter qu'ils n'entrent en contact avec d'autres pôles de batterie et qu'ils provoquent un court-circuit. **Tenir compte des prescriptions locales pour le transport d'accus.**
- ▶ Ne pas envoyer les accus par la poste. S'adresser à un service d'expédition s'il faut envoyer des accus non endommagés.
- ▶ Contrôler l'état du produit et des accus avant chaque utilisation, ainsi qu'avant et après tout transport prolongé.

Stockage

AVERTISSEMENT

Endommagement involontaire du fait d'accus défectueux ou de chute d'accu !

- ▶ Toujours retirer les accus avant de stocker les produits !
- ▶ Stocker si possible le produit et les accus dans un endroit sec et frais. Respecter les valeurs limites de température indiquées dans les caractéristiques techniques.
- ▶ Ne pas stocker les accus sur le chargeur. Retirer toujours l'accu du chargeur après la charge.
- ▶ Ne jamais stocker les accus exposés au soleil, sur des sources de chaleur ou derrière des vitres.
- ▶ Stocker le produit et les accus à l'abri des enfants et des personnes non autorisées.
- ▶ Contrôler l'état du produit et des accus avant chaque utilisation, ainsi qu'avant et après tout stockage prolongé.

8 Aide au dépannage

En cas de défaillances non énumérées dans ce tableau ou auxquelles il n'est pas possible de remédier sans aide, contacter le S.A.V. Hilti.

Défaillance	Causes possibles	Solution
Dégagement excessif de poussières.	Bac à poussières plein.	▶ Vider le bac à poussières.
	Réservoir à poussières ou filtre défectueux.	▶ Remplacer le réservoir à poussières ou le filtre.
	Tête d'extraction défectueuse.	▶ Remplacer la tête d'extraction.
	Brosse usée dans la tête d'extraction.	▶ Remplacer la tête d'extraction.



Défaillance	Causes possibles	Solution
Mèche non centrée dans la tête d'extraction.	Module récupérateur de poussières pas correctement mis en place.	▶ Mettre le module récupérateur de poussières bien en place jusqu'à ce qu'il s'encliquette.

9 Recyclage

AVERTISSEMENT

Risque de blessures en cas d'élimination incorrecte ! Émanations possibles de gaz et de liquides nocives pour la santé.

- ▶ Ne pas envoyer ni expédier d'accus endommagés !
- ▶ Recouvrir les raccordements avec un matériau non conducteur pour éviter tout court-circuit.
- ▶ Éliminer les accus en veillant à ce qu'ils soient hors de la portée des enfants.
- ▶ Éliminer l'accu en le déposant auprès du **Hilti Store** local ou s'adresser à l'entreprise de collecte des déchets compétente.

Les produits **Hilti** sont fabriqués pour une grande partie en matériaux recyclables. Le recyclage présuppose un tri adéquat des matériaux. **Hilti** reprend les appareils usagés dans de nombreux pays en vue de leur recyclage. Consulter le service clients **Hilti** ou un conseiller commercial.



- ▶ Ne pas jeter les appareils électriques, électroniques et accus dans les ordures ménagères !

10 Garantie constructeur

- ▶ En cas de questions sur les conditions de garantie, veuillez vous adresser à votre partenaire **Hilti** local.

11 Informations complémentaires

Des informations complémentaires concernant l'utilisation, la technique, l'environnement et le recyclage sont disponibles sous le lien ci-dessous : qr.hilti.com/manual/?id=0000000

Ce lien figure également à la fin du mode d'emploi sous forme de code QR.

Manual de instrucciones original

1 Información sobre el manual de instrucciones

1.1 Acerca de este manual de instrucciones

- Lea detenidamente este manual de instrucciones antes de la puesta en servicio. Ello es imprescindible para un trabajo seguro y un manejo sin problemas.
- Observe las indicaciones y advertencias de seguridad en este manual de instrucciones y en el producto.
- Conserve este manual de instrucciones siempre junto con el producto y entregue el producto a otras personas siempre acompañado de este manual de instrucciones.

1.2 Explicación de símbolos

1.2.1 Avisos

Las advertencias de seguridad advierten de peligros derivados del manejo del producto. Se utilizan las siguientes palabras de peligro:

PELIGRO

PELIGRO !

- ▶ Término utilizado para un peligro inminente que puede ocasionar lesiones graves o incluso la muerte.



⚠ ADVERTENCIA

ADVERTENCIA !

- ▶ Término utilizado para un posible peligro que puede ocasionar lesiones graves o incluso la muerte.

⚠ PRECAUCIÓN

PRECAUCIÓN !

- ▶ Término utilizado para una posible situación peligrosa que puede ocasionar lesiones o daños materiales.

1.2.2 Símbolos en el manual de instrucciones

En este manual de instrucciones se utilizan los siguientes símbolos:

	Consulte el manual de instrucciones
	Indicaciones de uso y demás información de interés
	Manejo con materiales reutilizables
	No tire las herramientas eléctricas y las baterías junto con los desperdicios domésticos
	Hilti Batería de Ion-Litio
	Hilti Cargador

1.2.3 Símbolos en las figuras

En las figuras se utilizan los siguientes símbolos:

	Estos números hacen referencia a la figura correspondiente incluida al principio de este manual de instrucciones.
	La numeración describe el orden de los pasos de trabajo en la imagen y puede ser diferente de los pasos descritos en el texto.
	En la figura Vista general se utilizan números de posición y los números de la leyenda están explicados en el apartado Vista general del producto .
	Preste especial atención a este símbolo cuando utilice el producto.

1.3 Información del producto

Los productos **HILTI** han sido diseñados para usuarios profesionales y solo personal autorizado y debidamente formado puede utilizarlos y llevar a cabo su mantenimiento y conservación. Este personal debe estar especialmente instruido en lo referente a los riesgos de uso. La utilización del producto y sus dispositivos auxiliares puede conllevar riesgos para el usuario en caso de manejarse de forma inadecuada por personal no cualificado o utilizarse para usos diferentes a los que están destinados.

La denominación del modelo y el número de serie están indicados en la placa de identificación.

- ▶ Escriba el número de serie en la siguiente tabla. Necesitará los datos del producto para realizar consultas a nuestros representantes o al Departamento de Servicio Técnico.

Datos del producto

Módulo de aspiración	TE DRS-5
Generación	01
N.º de serie	

2 Seguridad

2.1 Indicaciones generales de seguridad para herramientas eléctricas

⚠ ADVERTENCIA Lea con atención todas las indicaciones de seguridad, instrucciones, ilustraciones y datos técnicos correspondientes a esta herramienta eléctrica. La negligencia en el cumplimiento de las instrucciones que se describen a continuación podría provocar descargas eléctricas, incendios o lesiones graves.



Conserve todas las instrucciones e indicaciones de seguridad para futuras consultas.

El término «herramienta eléctrica» empleado en las indicaciones de seguridad se refiere a herramientas eléctricas portátiles, ya sea con cable de red o sin cable, en caso de ser accionadas por batería.

Seguridad en el puesto de trabajo

- ▶ **Mantenga su área de trabajo limpia y bien iluminada.** El desorden o una iluminación deficiente de las zonas de trabajo pueden provocar accidentes.
- ▶ **No utilice la herramienta eléctrica en un entorno con peligro de explosión en el que se encuentren líquidos, gases o polvos inflamables.** Las herramientas eléctricas producen chispas que pueden llegar a inflamar los materiales en polvo o vapores.
- ▶ **Mantenga alejados a los niños y otras personas de su puesto de trabajo al emplear la herramienta eléctrica.** Una distracción le puede hacer perder el control sobre la herramienta.

Seguridad eléctrica

- ▶ **El enchufe de la herramienta eléctrica debe corresponder a la toma de corriente utilizada. No se deberá modificar el enchufe en forma alguna. No utilice enchufes adaptadores para las herramientas eléctricas con puesta a tierra.** Los enchufes sin modificar adecuados a las respectivas tomas de corriente reducen el riesgo de descarga eléctrica.
- ▶ **Evite el contacto corporal con superficies que tengan puesta a tierra, como pueden ser tubos, calefacciones, cocinas y frigoríficos.** El riesgo a quedar expuesto a una sacudida eléctrica es mayor si su cuerpo tiene contacto con tierra.
- ▶ **No exponga las herramientas eléctricas a la lluvia y evite que penetren líquidos en su interior.** El riesgo de recibir descargas eléctricas aumenta si penetra agua en la herramienta eléctrica.
- ▶ **No utilice el cable de conexión para transportar o colgar la herramienta eléctrica ni tire de él para extraer el enchufe de la toma de corriente. Mantenga el cable de conexión alejado de fuentes de calor, aceite, aristas afiladas o piezas móviles.** Los cables de conexión dañados o enredados pueden provocar descargas eléctricas.
- ▶ **Cuando trabaje al aire libre con una herramienta eléctrica, utilice exclusivamente un alargador adecuado para exteriores.** La utilización de un alargador adecuado para su uso en exteriores evita el riesgo de una descarga eléctrica.
- ▶ **Cuando no pueda evitarse el uso de la herramienta eléctrica en un entorno húmedo, utilice un interruptor de corriente de defecto.** La utilización de un interruptor de corriente de defecto evita el riesgo de una descarga eléctrica.

Seguridad de las personas

- ▶ **Permanezca atento, preste atención durante el trabajo y utilice la herramienta eléctrica con prudencia. No utilice una herramienta eléctrica si está cansado, ni tampoco después de haber consumido alcohol, drogas o medicamentos.** Un momento de descuido al utilizar la herramienta eléctrica podría producir graves lesiones.
- ▶ **Utilice el equipo de seguridad personal adecuado y lleve siempre gafas protectoras.** El riesgo de lesiones se reduce considerablemente si, según el tipo y la aplicación de la herramienta eléctrica empleada, se utiliza un equipo de seguridad personal adecuado como una mascarilla antipolvo, zapatos de seguridad con suela antideslizante, casco de protección o protección para los oídos.
- ▶ **Evite una puesta en servicio fortuita de la herramienta. Asegúrese de que la herramienta eléctrica está apagada antes de alzarla, transportarla, conectarla a la toma de corriente o insertar la batería.** Si transporta la herramienta eléctrica sujetándola por el interruptor de conexión/desconexión o si introduce el enchufe en la toma de corriente con la herramienta conectada, podría producirse un accidente.
- ▶ **Retire las herramientas de ajuste o llaves fijas antes de conectar la herramienta eléctrica.** Una herramienta o llave colocada en una pieza giratoria puede producir lesiones al ponerse en funcionamiento.
- ▶ **Evite adoptar posturas forzadas. Procure que la postura sea estable y manténgase siempre en equilibrio.** De esta forma podrá controlar mejor la herramienta eléctrica en caso de presentarse una situación inesperada.
- ▶ **Utilice ropa adecuada. No utilice vestimenta amplia ni joyas. Mantenga su pelo, vestimenta y guantes alejados de las piezas móviles.** La vestimenta suelta, las joyas y el pelo largo se pueden enganchar con las piezas en movimiento.
- ▶ **Siempre que sea posible montar equipos de aspiración o captación de polvo, asegúrese de que están conectados y de que se utilizan correctamente.** El uso de un sistema de aspiración de polvo reduce los riesgos derivados del polvo.
- ▶ **No se crea a salvo de cualquier riesgo ni pase por alto ninguna de las normas de seguridad relativas a las herramientas eléctricas, aun cuando esté familiarizado con la herramienta eléctrica y tenga larga experiencia en su uso.** Una actuación negligente puede provocar lesiones graves en cuestión de segundos.



Uso y manejo de la herramienta eléctrica

- ▶ **No sobrecargue la herramienta. Utilice la herramienta eléctrica adecuada para el trabajo que se dispone a realizar.** Con la herramienta eléctrica apropiada podrá trabajar mejor y de modo más seguro dentro del margen de potencia indicado.
- ▶ **No utilice herramientas eléctricas con el interruptor defectuoso.** Las herramientas eléctricas que no se puedan conectar o desconectar son peligrosas y deben repararse.
- ▶ **Extraiga el enchufe de la toma de corriente o retire la batería extraíble antes de efectuar cualquier ajuste en la herramienta, cambiar accesorios o en caso de no utilizar la herramienta durante un tiempo prolongado.** Esta medida preventiva evita el riesgo de arranque accidental de la herramienta eléctrica.
- ▶ **Guarde las herramientas eléctricas que no utilice fuera del alcance de los niños. No permita utilizar la herramienta a ninguna persona que no esté familiarizada con ella o que no haya leído este manual de instrucciones.** Las herramientas eléctricas utilizadas por personas inexpertas son peligrosas.
- ▶ **Cuide su herramienta eléctrica y los accesorios adecuadamente. Compruebe si las piezas móviles de la herramienta funcionan correctamente y sin atascarse, y si existen piezas rotas o deterioradas que pudieran afectar al funcionamiento de la herramienta eléctrica. Encargue la reparación de las piezas defectuosas antes de usar la herramienta eléctrica.** Muchos accidentes son consecuencia de un mantenimiento inadecuado de la herramienta eléctrica.
- ▶ **Mantenga los útiles limpios y afilados.** Las herramientas de corte bien cuidadas y con aristas afiladas se atascan menos y se guían con más facilidad.
- ▶ **Utilice la herramienta eléctrica, los accesorios, útiles de inserción, etc., de acuerdo con estas instrucciones. Para ello, tenga en cuenta las condiciones de trabajo y la tarea que se va a realizar.** El uso de herramientas eléctricas para trabajos diferentes de aquellos para los que han sido concebidas puede resultar peligroso.
- ▶ **Mantenga las empuñaduras y las superficies de contacto secas, limpias y sin residuos de aceite o grasa.** Las empuñaduras y superficies de contacto resbaladizas impiden manejar y controlar la herramienta eléctrica con seguridad en situaciones imprevistas.

Uso y manejo de la herramienta de batería

- ▶ **Cargue las baterías únicamente con los cargadores recomendados por el fabricante.** Existe riesgo de incendio al intentar cargar baterías de un tipo diferente al previsto para el cargador.
- ▶ **Utilice únicamente las baterías previstas para la herramienta eléctrica.** El uso de otro tipo de baterías puede provocar daños e incluso incendios.
- ▶ **Si no utiliza la batería, guárdela separada de clips, monedas, llaves, clavos, tornillos y demás objetos metálicos que pudieran puentear sus contactos.** El cortocircuito de los contactos de la batería puede causar quemaduras o incendios.
- ▶ **La utilización inadecuada de la batería puede provocar fugas de líquido. Evite el contacto con este líquido. En caso de contacto accidental, enjuague el área afectada con abundante agua. En caso de contacto con los ojos, acuda además inmediatamente a un médico.** El líquido de la batería puede irritar la piel o producir quemaduras.
- ▶ **No utilice baterías dañadas o modificadas.** Una batería dañada o modificada puede tener un comportamiento imprevisible y provocar incendios, explosiones o riesgo de lesiones.
- ▶ **No exponga la batería al fuego o a temperaturas muy elevadas.** El fuego o las temperaturas superiores a 130 °C (265 °F) pueden provocar una explosión.
- ▶ **Siga todas las instrucciones relativas a la carga y no cargue nunca la batería o la herramienta de batería excediendo el rango de temperatura indicado en el manual de instrucciones.** Una carga incorrecta o fuera del rango de temperatura permitido puede destruir la batería y aumentar el riesgo de incendio.

Servicio Técnico

- ▶ **Solicite que un profesional lleve a cabo la reparación de su herramienta eléctrica y que utilice exclusivamente piezas de repuesto originales.** Solamente así se garantiza la seguridad de la herramienta.
- ▶ **No realice nunca el mantenimiento de baterías dañadas.** Cualquier mantenimiento de las baterías debe llevarlo a cabo el fabricante o un centro del Servicio de Atención al Cliente autorizado.

2.2 Indicaciones de seguridad adicionales

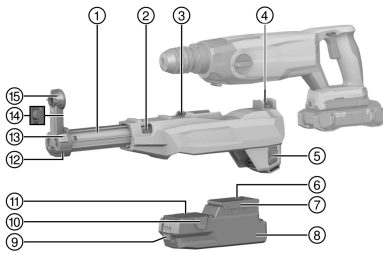
- ▶ Tenga en cuenta todas las indicaciones de seguridad en este manual de instrucciones y el manual de instrucciones del martillo perforador Hilti.
- ▶ Utilice el producto y los accesorios solo si están en perfecto estado técnico.



- ▶ No efectúe nunca manipulaciones o modificaciones en el producto ni en los accesorios.
- ▶ - Riesgo de lesiones en caso de caída de herramientas o accesorios. Antes de iniciar el trabajo, compruebe que la batería y los accesorios montados estén bien fijados.
- ▶ Utilice siempre también la empuñadura lateral del martillo perforador **Hilti** cuando el módulo de aspiración esté montado.
- ▶ Efectúe pausas durante el trabajo, así como ejercicios de los dedos para mejorar la circulación. En el caso de trabajos de larga duración, las vibraciones pueden causar alteraciones en el sistema nervioso o en los vasos sanguíneos de los dedos, las manos u otras articulaciones de las manos.
- ▶ El polvo que se genera al pulir, lijar, cortar y taladrar puede contener productos químicos peligrosos, como, por ejemplo, plomo o pinturas basadas en plomo; ladrillos, hormigón y otros productos de mampostería, piedra natural y otros productos que contengan silicatos; determinadas maderas, como el roble o el haya o las maderas tratadas químicamente, o amianto o materiales que contengan asbesto. La exposición del usuario y las personas circundantes debe regularse según la clase de peligro de los materiales con los que se trabaje. Tome las medidas necesarias para mantener la exposición a un nivel seguro, p. ej., mediante el uso de un sistema de recogida de polvo o una mascarilla adecuada. Las medidas genéricas para reducir la exposición son, entre otras:
 - ▶ trabajar en un espacio bien ventilado;
 - ▶ evitar el contacto prolongado con el polvo;
 - ▶ desviar el polvo de la cara y el cuerpo;
 - ▶ usar prendas protectoras y lavar con agua y jabón las zonas expuestas.

3 Descripción

3.1 Vista general del producto



- ① Ajuste de carrera total
- ② Desbloqueo del ajuste de carrera total
- ③ Ganchos de bloqueo
- ④ Interfaz eléctrica
- ⑤ Desbloqueo del módulo de aspiración
- ⑥ Filtro
- ⑦ Fijación del filtro
- ⑧ Contenedor de polvo
- ⑨ Desbloqueo del contenedor de polvo
- ⑩ Fijación de la tapa del contenedor de polvo
- ⑪ Tapa del contenedor de polvo
- ⑫ Tope de profundidad
- ⑬ Desbloqueo del tope de profundidad
- ⑭ Botón de desbloqueo del cabezal de extracción
- ⑮ Cabezal de extracción

3.2 Uso conforme a las prescripciones

El producto descrito es un módulo de aspiración que se utiliza como accesorio en combinación con martillos perforadores **Hilti** del modelo TE 5-22. Se utiliza para la reducción activa de la carga de polvo al taladrar mediante un ventilador de aspiración integrado y accionado por motor.

3.3 Suministro

Módulo de aspiración, manual de instrucciones.

Encontrará otros productos del sistema autorizados para su producto en su **Hilti Store** o en Internet, en: www.hilti.group

4 Datos técnicos

Tensión	21,6 V
Rendimiento de aspiración	250 ℓ/min (66 liq. gal _{US} /min)



Peso		1,05 kg
Con TE5-22	TE-CX XX/22	135 mm (5,3 in)
	TE-CX XX/17	85 mm (3,3 in)
	TE-CX XX/15	60 mm (2,4 in)
	TE-CX X" x 8"	5,3 in
	TE-CX X" x 6"	3,2 in

5 Preparación del trabajo

Respete las indicaciones de seguridad y las advertencias presentes en esta documentación y en el producto.

5.1 Montaje del módulo de aspiración

1. Sitúe el conmutador de giro a la derecha/izquierda del martillo perforador en la posición central.
2. Desmonte el tope de profundidad.
3. Gire la empuñadura adicional para que no estorbe.
4. Enganche el módulo de aspiración en la clavija de bloqueo del martillo perforador.



Al hacerlo, asegúrese de guiar el útil de inserción del martillo perforador a través del cabezal de extracción del módulo de aspiración.

5. Presione la interfaz eléctrica en el martillo perforador hasta que el módulo de aspiración encaje de forma audible.
6. Compruebe que el módulo de aspiración está correctamente encajado.

5.2 Desmontaje del módulo de aspiración

1. Sitúe el conmutador de giro a la derecha/izquierda del martillo perforador en la posición central.
2. Mantenga pulsado el bloqueo en el módulo de aspiración.
3. Extraiga la interfaz eléctrica del martillo perforador.
4. Desenganche el módulo de aspiración de las clavijas de bloqueo del martillo perforador.

5.3 Ajustar la carrera total

1. Mantenga pulsada la tecla de desbloqueo del ajuste de carrera total.
2. Apriete el martillo perforador con el útil de inserción insertado contra la superficie de trabajo hasta que el útil de inserción esté en contacto con la superficie de trabajo.
 - La carrera total se ajusta a la longitud del útil de inserción.
3. Suelte la tecla de desbloqueo del ajuste de carrera total.

5.4 Ajuste del tope de profundidad



Si se requiere una profundidad de perforación exacta, se deberán realizar orificios de prueba hasta obtener la profundidad deseada.

1. Mantenga pulsada la tecla de desbloqueo del tope de profundidad.
2. Desplace el tope de profundidad hasta la profundidad de perforación deseada.
3. Suelte la tecla de desbloqueo del tope de profundidad.

5.5 Limpieza del filtro (versión para EE. UU.)



Limpie el filtro tras 5 taladros (12 mm x 50 mm) (1/2 in x 2 in).

- Si el rendimiento de aspiración disminuye notablemente, accione el mecanismo de limpieza y deje que este salte hacia atrás (5 veces).



**ADVERTENCIA****Riesgo de lesiones con la batería colocada !**

- ▶ Extraiga siempre la batería antes de llevar a cabo tareas de cuidado y mantenimiento.

Cuidado del producto

- Elimine con precaución la suciedad fuertemente adherida.
- Las rejillas de ventilación, si las hay, deben limpiarse con cuidadosamente con un cepillo seco y suave.
- Limpie la carcasa solo con un paño ligeramente humedecido. No utilice productos de limpieza que contengan silicona, ya que podrían dañar las piezas de plástico.
- Utilice un paño limpio y seco para limpiar los contactos del producto.

Cuidado de las baterías de Ion-Litio

- No utilice nunca una batería con las rejillas de ventilación obstruidas. Limpie cuidadosamente las rejillas de ventilación con un cepillo seco y suave.
- Evite la exposición innecesaria de la batería al polvo o la suciedad. No exponga nunca la batería a altos niveles de humedad (por ejemplo, sumergiéndola en agua o dejándola bajo la lluvia). Si penetra agua en la batería, trátela como una batería dañada. Aíslela en un recipiente no inflamable y póngase en contacto con el Servicio Técnico de **Hilti**.
- Mantenga la batería limpia de aceite o grasa. No permita la acumulación innecesaria de polvo o suciedad en la batería. Limpie la batería con un cepillo seco y suave o con un paño limpio y seco. No utilice productos de limpieza que contengan silicona, ya que podrían dañar las piezas de plástico. No toque los contactos de la batería y no elimine de los contactos la grasa aplicada de fábrica.
- Limpie la carcasa solo con un paño ligeramente humedecido. No utilice productos de limpieza que contengan silicona, ya que podrían afectar a las piezas de plástico.

Mantenimiento

- Compruebe con regularidad que las piezas visibles no estén dañadas y los elementos de manejo funcionen correctamente.
- No utilice el producto si presenta daños o fallos que afecten al funcionamiento. Encargue inmediatamente la reparación del producto al Servicio Técnico de **Hilti**.
- Tras las tareas de cuidado y mantenimiento, coloque todos los dispositivos de protección y asegúrese de que funcionen correctamente.



Para garantizar un correcto funcionamiento, utilice exclusivamente piezas de repuesto y consumibles originales. Las piezas de repuesto, los consumibles y los accesorios autorizados por **Hilti** se pueden consultar en su **Hilti Store** o en: www.hilti.group

6.1 Vaciar el contenedor de polvo 

1. Coloque el módulo de aspiración montado en posición horizontal.
2. Accione varias veces el interruptor de conexión y desconexión del martillo perforador para aspirar los restos de polvo del contenedor de polvo.
3. Desmonte el módulo de aspiración. → página 21
4. Mantenga pulsada la tecla de desbloqueo del contenedor de polvo.
5. Extraiga el contenedor de polvo del módulo de aspiración tirando hacia delante.
6. Suelte la fijación del contenedor de polvo.
7. Extraiga la tapa del contenedor de polvo.
8. Vacíe el contenedor de polvo.
9. Presione la tapa del contenedor de polvo en el contenedor de polvo hasta que ambas fijaciones encajen.
10. Introduzca el contenedor de polvo en el módulo de aspiración hasta que encaje.
 - ▶ Compruebe que el contenedor de polvo esté firmemente sujeto en el módulo de aspiración.

6.2 Cambio del filtro 

1. Desmonte el módulo de aspiración. → página 21
2. Vacíe el contenedor de polvo. → página 22
3. Suelte las fijaciones del filtro con un destornillador plano.
4. Retire el filtro y deséchelo .



5. Presione el nuevo filtro en el contenedor de polvo hasta que las fijaciones encajen.
 - ▶ Compruebe que el filtro esté firmemente sujeto en el contenedor de polvo.
6. Introduzca el contenedor de polvo en el módulo de aspiración hasta que el desbloqueo encaje.
 - ▶ Compruebe que el contenedor de polvo esté firmemente sujeto en el módulo de aspiración.

6.3 Sustituir cabezal de extracción

1. Desmonte el módulo de aspiración. → página 21
2. Mantenga pulsado el botón de desbloqueo del cabezal de extracción.
3. Extraiga el cabezal de extracción hacia arriba para sacarlo del tope de profundidad.
4. Presione el nuevo cabezal de extracción en el tope de profundidad hasta que el cabezal de extracción encaje.

7 Transporte y almacenamiento de las baterías y sus herramientas

Transporte

PRECAUCIÓN

Arranque involuntario en el transporte !

- ▶ Transporte sus productos siempre sin batería.
-
- ▶ Extraiga la(s) batería(s).
 - ▶ Nunca transporte las baterías sin embalaje. Durante el transporte, las baterías deben estar protegidas frente a vibraciones y golpes excesivos y aisladas de todo material conductor y de otras baterías para que no entren en contacto con los polos de otras baterías y causen un cortocircuito. **Tenga en cuenta las normativas locales sobre el transporte de baterías.**
 - ▶ Las baterías no deben enviarse por correo. Diríjase a una empresa de transporte si quiere enviar baterías no dañadas.
 - ▶ Compruebe si el producto o las baterías están dañados antes de cada uso y antes y después de un transporte prolongado.

Almacenamiento

ADVERTENCIA

Daños imprevistos debido a una batería defectuosa o agotada !

- ▶ Guarde su productos siempre sin batería.
-
- ▶ Guarde el producto y las baterías en un lugar fresco y seco. Tenga en cuenta los valores límite de temperatura que figuran en los datos técnicos.
 - ▶ No almacene las baterías en el cargador. Extraiga siempre la batería del cargador después del proceso de carga.
 - ▶ No guarde nunca las baterías en un lugar expuesto al sol, a fuentes de calor o detrás de un cristal.
 - ▶ Guarde el producto y las baterías fuera del alcance de niños y personas no autorizadas.
 - ▶ Compruebe si el producto o las baterías están dañados antes de cada uso y antes y después de un almacenamiento prolongado.

8 Ayuda en caso de averías

Si se producen averías que no estén incluidas en esta tabla o que no pueda solucionar usted, diríjase al Servicio Técnico de **Hilti**.

Anomalía	Posible causa	Solución
Generación de polvo excesiva.	Contenedor de polvo lleno.	▶ Vacíe el contenedor de polvo.
	Contenedor de polvo o filtro defectuoso.	▶ Cambie el contenedor de polvo o el filtro.
	Cabezal de extracción defectuoso.	▶ Sustituya el cabezal de extracción.
	Cepillos del cabezal de extracción desgastados.	▶ Sustituya el cabezal de extracción.
Broca descentrada en el cabezal de extracción.	Módulo de aspiración mal colocado.	▶ Coloque el módulo de aspiración hasta que encaje.




9 Reciclaje

ADVERTENCIA

Riesgo de lesiones por un reciclaje indebido. Riesgo para la salud debido a escapes de gases o líquidos.

- ▶ No envíe baterías dañadas bajo ningún concepto.
- ▶ Cubra las conexiones con un material no conductor para evitar cortocircuitos.
- ▶ Deshágase de las baterías de tal forma que no terminen en manos de niños.
- ▶ Elimine la batería en su **Hilti Store** o diríjase a su empresa de desechos.

 Los productos **Hilti** están fabricados en su mayor parte con materiales reutilizables. La condición para dicha reutilización es una separación adecuada de los materiales. En muchos países, **Hilti** recoge las herramientas usadas para su recuperación. Pregunte al Servicio de Atención al Cliente de **Hilti** o a su asesor de ventas.



- ▶ No deseche las herramientas eléctricas, los aparatos eléctricos ni las baterías junto con los residuos domésticos.

10 Garantía del fabricante

- ▶ Si tiene alguna consulta acerca de las condiciones de la garantía, póngase en contacto con su sucursal local de **Hilti**.

11 Más información

Encontrará información adicional sobre manejo, técnica, medio ambiente y reciclaje en el siguiente enlace: qr.hilti.com/manual/?id=0000000

Encontrará este enlace también al final del manual de instrucciones como código QR.

Manual de instruções original

1 Indicações sobre o Manual de instruções

1.1 Relativamente a este Manual de instruções

- Antes da colocação em funcionamento, leia este manual de instruções. Esta é a condição para um trabalho seguro e um manuseamento sem problemas.
- Tenha em atenção as instruções de segurança e as advertências neste Manual de instruções e no produto.
- Guarde o manual de instruções sempre junto do produto e entregue-o a outras pessoas apenas juntamente com este manual de instruções.

1.2 Explicação dos símbolos

1.2.1 Advertências

As advertências alertam para perigos durante a utilização do produto. São utilizadas as seguintes palavras de aviso:

PERIGO

PERIGO !

- ▶ Indica perigo iminente que pode originar acidentes pessoais graves ou até mesmo fatais.

AVISO

AVISO !

- ▶ Indica um possível perigo que pode causar graves ferimentos pessoais, até mesmo fatais.



⚠ CUIDADO

CUIDADO !

- ▶ Indica uma situação potencialmente perigosa que pode originar ferimentos corporais ou danos materiais.

1.2.2 Símbolos no manual de instruções

Neste manual de instruções são utilizados os seguintes símbolos:

	Consultar o manual de instruções
	Instruções de utilização e outras informações úteis
	Manuseamento com materiais recicláveis
	Não deitar as ferramentas eléctricas e baterias no lixo doméstico
	Bateria de íões de lítio Hilti
	Carregador Hilti

1.2.3 Símbolos nas figuras

Em figuras são utilizados os seguintes símbolos:

	Estes números remetem para a figura respectiva no início do presente manual de instruções.
	A numeração reproduz uma sequência dos passos de trabalho na imagem e pode divergir dos passos de trabalho no texto.
	Na figura Vista geral são utilizados números de posição que fazem referência aos números da legenda na secção Vista geral do produto .
	Este símbolo pretende despertar a sua atenção durante o manuseamento do produto.

1.3 Dados informativos sobre o produto

Os produtos **HILTI** destinam-se ao utilizador profissional e só podem ser operados, mantidos e reparados por pessoal autorizado, devidamente qualificado. Estas pessoas deverão estar informadas em particular sobre os potenciais perigos. O produto e seu equipamento auxiliar podem representar perigo se usados incorrectamente por pessoas não qualificadas ou se usados para fins diferentes daqueles para os quais foram concebidos.

A designação e o número de série são indicados na placa de características.

- ▶ Registe o número de série na tabela seguinte. Precisa dos dados do produto para colocar questões ao nosso representante ou posto de serviço de atendimento aos clientes.

Dados do produto

Módulo de aspiração de pó	TE DRS-5
Geração	01
N.º de série	

2 Segurança

2.1 Normas de segurança gerais para ferramentas eléctricas

⚠ AVISO Leia todas as normas de segurança, instruções, imagens e dados técnicos, com os quais esta ferramenta eléctrica está equipada. O não cumprimento das instruções a seguir pode resultar em choque eléctrico, incêndio e/ou ferimentos graves.

Guarde bem todas as normas de segurança e instruções para futura referência.

O termo "ferramenta eléctrica" utilizado nas normas de segurança refere-se a ferramentas com ligação à corrente eléctrica (com cabo de alimentação) ou a ferramentas a bateria (sem cabo).

Segurança no posto de trabalho

- ▶ **Mantenha a sua área de trabalho limpa e bem iluminada.** Locais desarrumados ou mal iluminados podem ocasionar acidentes.



- ▶ **Não utilize a ferramenta eléctrica em ambientes explosivos ou na proximidade de líquidos ou gases inflamáveis.** Ferramentas eléctricas produzem faíscas que podem provocar a ignição de pó e vapores.
- ▶ **Mantenha crianças e terceiros afastados durante os trabalhos.** Distracções podem conduzir à perda de controlo sobre a ferramenta.

Segurança eléctrica

- ▶ **A ficha da ferramenta eléctrica deve servir na tomada. A ficha não deve ser modificada de modo algum. Não utilize quaisquer adaptadores com ferramentas eléctricas com ligação terra.** Fichas originais (não modificadas) e tomadas adequadas reduzem o risco de choque eléctrico.
- ▶ **Evite o contacto do corpo com superfícies ligadas à terra, como, por exemplo, canos, radiadores, fogões e frigoríficos.** Existe um risco elevado de choque eléctrico se o corpo estiver com ligação à terra.
- ▶ **As ferramentas eléctricas não devem ser expostas à chuva nem à humidade.** A infiltração de água numa ferramenta eléctrica aumenta o risco de choque eléctrico.
- ▶ **Não use o cabo de ligação para transportar, pendurar ou desligar a ferramenta eléctrica da tomada. Mantenha o cabo de ligação afastado de calor, óleo, arestas vivas ou partes em movimento.** Cabos de ligação danificados ou emaranhados aumentam o risco de choque eléctrico.
- ▶ **Quando operar uma ferramenta eléctrica ao ar livre, utilize apenas cabos de extensão próprios para utilização no exterior.** A utilização de um cabo de extensão próprio para utilização no exterior reduz o risco de choques eléctricos.
- ▶ **Utilize um disjuntor diferencial se não puder ser evitada a utilização da ferramenta eléctrica em ambiente húmido.** A utilização de um disjuntor diferencial reduz o risco de choque eléctrico.

Segurança física

- ▶ **Esteja alerta, observe o que está a fazer, e tenha prudência ao trabalhar com uma ferramenta eléctrica. Se estiver cansado ou sob influência de drogas, álcool ou medicamentos não efectue nenhum trabalho com ferramentas eléctricas.** Um momento de distração ao operar a ferramenta eléctrica pode causar ferimentos graves.
- ▶ **Use equipamento de segurança. Use sempre óculos de protecção.** Equipamento de segurança, como, por exemplo, máscara antipoeiras, sapatos de segurança antiderrapantes, capacete de segurança ou protecção auricular, de acordo com o tipo e aplicação da ferramenta eléctrica, reduzem o risco de lesões.
- ▶ **Evite um arranque involuntário. Assegure-se de que a ferramenta eléctrica está desligada antes de a ligar à fonte de alimentação e/ou à bateria, pegar nela ou a transportar.** Transportar a ferramenta eléctrica com o dedo no interruptor ou ligar uma ferramenta à tomada com o interruptor ligado (ON) pode resultar em acidentes.
- ▶ **Remova quaisquer chaves de ajuste (chaves de fenda), antes de ligar a ferramenta eléctrica.** Um acessório ou chave deixado preso numa parte rotativa da ferramenta pode causar ferimentos.
- ▶ **Evite posturas corporais desfavoráveis. Mantenha sempre uma posição correcta, em perfeito equilíbrio.** Desta forma será mais fácil manter o controlo sobre a ferramenta eléctrica em situações inesperadas.
- ▶ **Use roupa apropriada. Não use roupa larga ou jóias. Mantenha o cabelo, vestuário e luvas afastados das peças móveis.** Roupas largas, jóias ou cabelos compridos podem ficar presos nas peças móveis.
- ▶ **Se poderem ser montados sistemas de remoção e de recolha de pó, assegure-se de que estes estão ligados e são utilizados correctamente.** A utilização de um sistema de remoção de pó pode reduzir os perigos relacionados com a exposição ao mesmo.
- ▶ **Não se acomode numa falsa sensação de segurança e não ignore os regulamentos de segurança para ferramentas eléctricas, mesmo se estiver familiarizado com a ferramenta eléctrica após numerosas utilizações.** Agir de forma descuidada pode causar ferimentos graves dentro duma fracção de segundo.

Utilização e manuseamento da ferramenta eléctrica

- ▶ **Não sobrecarregue a ferramenta. Use para o seu trabalho a ferramenta eléctrica correcta.** Com a ferramenta eléctrica adequada obterá maior eficiência e segurança se respeitar os seus limites.
- ▶ **Não utilize a ferramenta eléctrica se o interruptor estiver defeituoso.** Uma ferramenta eléctrica que já não possa ser accionada pelo interruptor é perigosa e deve ser reparada.
- ▶ **Retire a ficha da tomada e/ou remova uma bateria amovível antes de efectuar ajustes na ferramenta, substituir acessórios ou guardar a ferramenta.** Esta medida preventiva evita o accionamento accidental da ferramenta eléctrica.



- ▶ **Guarde ferramentas eléctricas não utilizadas fora do alcance das crianças. Não permita que a ferramenta seja utilizada por pessoas não familiarizadas com a mesma ou que não tenham lido estas instruções.** Ferramentas eléctricas operadas por pessoas não treinadas são perigosas.
- ▶ **Faça uma manutenção regular de ferramentas eléctricas e acessórios. Verifique se as partes móveis funcionam perfeitamente e não emperram ou se há peças quebradas ou danificadas que possam influenciar o funcionamento da ferramenta eléctrica. Peças danificadas devem ser reparadas antes da utilização da ferramenta.** Muitos acidentes são causados por ferramentas eléctricas com manutenção deficiente.
- ▶ **Mantenha as ferramentas de corte sempre afiadas e limpas.** Acessórios com gumes afiados tratados correctamente emperram menos e são mais fáceis de controlar.
- ▶ **Utilize a ferramenta eléctrica, acessórios, bits, etc., de acordo com estas instruções. Tome também em consideração as condições de trabalho e o trabalho a ser efectuado.** A utilização da ferramenta eléctrica para outros fins além dos previstos, pode ocasionar situações de perigo.
- ▶ **Mantenha punhos e respectivas superfícies secos, limpos e isentos de óleo e gordura.** Punhos e superfícies afins escorregadios não permitem um manuseamento e controlo seguro da ferramenta eléctrica em situações imprevistas.

Utilização e manuseamento da ferramenta a bateria

- ▶ **Apenas deverá carregar as baterias em carregadores recomendados pelo fabricante.** Num carregador adequado para um determinado tipo de baterias existe perigo de incêndio se for utilizado para outras baterias.
- ▶ **Nas ferramentas eléctricas utilize apenas as baterias previstas.** A utilização de outras baterias pode causar ferimentos e riscos de incêndio.
- ▶ **Quando a bateria não estiver em uso, mantenha-a afastada de outros objectos de metal, como, por exemplo, cliques, moedas, chaves, pregos, parafusos, ou outros pequenos objectos metálicos que possam ligar em ponte os contactos.** Um curto-circuito entre os contactos da bateria pode causar queimaduras ou incêndio.
- ▶ **Utilizações inadequadas podem provocar derrame do líquido da bateria. Evite o contacto com este líquido. No caso de contacto accidental, enxágue imediatamente com água. Se o líquido entrar em contacto com os olhos, procure auxílio médico.** O líquido que escorre da bateria pode provocar irritações ou queimaduras da pele.
- ▶ **Não utilize uma bateria danificada ou modificada.** Baterias danificadas ou modificadas podem ter um comportamento imprevisível e causar fogo, explosão ou risco de ferimentos.
- ▶ **Não exponha uma bateria ao fogo ou a temperaturas excessivas.** Fogo e temperaturas superiores a 130 °C (265 °F) podem provocar uma explosão.
- ▶ **Cumpra todas as instruções sobre o carregamento e nunca carregue a bateria ou a ferramenta a bateria fora da faixa de temperaturas indicada no manual de instruções.** O carregamento errado ou fora da faixa de temperaturas permitida pode destruir a bateria e aumentar o risco de incêndio.

Manutenção

- ▶ **A sua ferramenta eléctrica só deve ser reparada por pessoal qualificado e só devem ser utilizadas peças sobressalentes originais.** Isto assegurará que a segurança da ferramenta se mantenha.
- ▶ **Nunca faça a manutenção de baterias danificadas.** Qualquer manutenção de baterias só deverá ser realizada pelo fabricante ou serviços de assistência técnica autorizados.

2.2 Normas de segurança adicionais

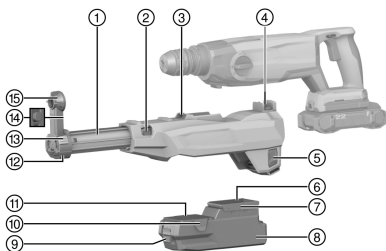
- ▶ Tenha em atenção todas as normas de segurança neste manual de instruções e no manual de instruções do martelo perfurador **Hilti**.
- ▶ Utilize o produto e os acessórios somente se estiverem em perfeitas condições técnicas.
- ▶ Nunca efectue quaisquer manipulações ou modificações no produto ou nos acessórios.
- ▶ Risco de ferimentos devido a queda de ferramentas e/ou acessórios. Antes de iniciar os trabalhos, verifique se a bateria e os acessórios montados estão realmente fixos.
- ▶ Mesmo com o módulo de aspiração de pó montado, utilize sempre o punho auxiliar do martelo perfurador **Hilti**.
- ▶ Faça pausas durante o trabalho e exercícios para melhorar a circulação sanguínea nos dedos. Ao trabalhar durante períodos mais prolongados, as vibrações podem causar perturbações nos vasos sanguíneos ou no sistema nervoso nos dedos, mãos ou pulsos.



- ▶ Pó produzido ao rectificar, lixar, cortar e furar pode conter produtos químicos perigosos. Alguns exemplos são: Chumbo ou tintas à base de chumbo; Tijolo, betão e outros produtos de alvenaria, pedra natural e outros produtos que contenham silicatos; Determinadas madeiras, como carvalho, faia e madeira tratada quimicamente; Amianto ou materiais contendo amianto. Determine a exposição do operador e das pessoas que se encontrem nas proximidades através da classe de perigo dos materiais a serem trabalhados. Tome as medidas necessárias para manter a exposição a um nível seguro como, por ex., a utilização de um sistema colector de pó ou o uso de uma protecção respiratória adequada. As medidas gerais para redução da exposição incluem:
 - ▶ Trabalhar num local bem ventilado,
 - ▶ Evitar o contacto prolongado com pó,
 - ▶ Afastar o pó do rosto e do corpo,
 - ▶ Usar roupa de protecção e lavar áreas expostas com água e sabão.

3 Descrição

3.1 Vista geral do produto



- ① Ajuste do curso completo
- ② Destrimento do ajuste do curso completo
- ③ Gancho de retenção
- ④ Interface eléctrica
- ⑤ Destrimento do módulo de pó
- ⑥ Filtro
- ⑦ Fixação do filtro
- ⑧ Recipiente para o pó
- ⑨ Destrimento do recipiente para pó
- ⑩ Fixação da tampa do recipiente para o pó
- ⑪ Tampa do recipiente para o pó
- ⑫ Limitador de profundidade
- ⑬ Destrimento do limitador de profundidade
- ⑭ Botão de destrimento, cabeça de extracção
- ⑮ Cabeça de extracção

3.2 Utilização correcta

O produto descrito é um módulo de aspiração que é utilizado como acessório em conjunto com martelos perfuradores **Hilti** do tipo TE 5-22. Destina-se à redução activa do nível de pó ao furar graças a um ventilador de aspiração integrado, accionado a motor.

3.3 Incluído no fornecimento

Módulo de aspiração de pó, Manual de instruções

Poderá encontrar outros produtos de sistema aprovados para o seu produto na sua **Hilti Store** ou em: www.hilti.group

4 Características técnicas

Tensão		21,6 V
Capacidade aspiradora		250 l/min (66 liq. gal _{US} /min)
Peso		1,05 kg
Com TE5-22	TE-CX XX/22	135 mm (5,3 in)
	TE-CX XX/17	85 mm (3,3 in)



Com TE5-22	TE-CX XX/15	60 mm (2,4 in)
	TE-CX X" x 8"	5,3 in
	TE-CX X" x 6"	3,2 in

5 Preparação do local de trabalho

Tenha em atenção as instruções de segurança e as advertências nesta documentação e no produto.

5.1 Montar o módulo de aspiração de pó 2

1. Coloque o comutador de rotação para a direita/esquerda do martelo perfurador na posição central.
2. Desmonte o limitador de profundidade.
3. Rode o punho adicional de modo a que não fique a obstruir.
4. Engate o módulo de aspiração de pó nos pernos de retenção no martelo perfurador.

Ao engatar, preste atenção para que o acessório do martelo perfurador seja conduzido através da cabeça de extracção do módulo de aspiração de pó.

5. Pressione a interface eléctrica para dentro do martelo perfurador, até que o módulo de aspiração de pó engate de forma audível.
6. Certifique-se de que o módulo de aspiração de pó está correctamente engatado.

5.2 Desmontar o módulo de aspiração de pó 3

1. Coloque o comutador de rotação para a direita/esquerda do martelo perfurador na posição central.
2. Pressione e mantenha pressionado o travamento no módulo de aspiração de pó.
3. Retire a interface eléctrica para fora do martelo perfurador.
4. Desengate o módulo de aspiração de pó para fora dos pernos de retenção no martelo perfurador.

5.3 Ajustar curso completo 4

1. Pressione e mantenha pressionado o destravamento do ajuste do curso completo.
2. Pressione o martelo perfurador com o acessório colocado contra o material base, até que o acessório toque no material base.
 - ▶ O curso completo está ajustado ao comprimento do acessório.
3. Solte o destravamento do ajuste do curso completo.

5.4 Ajustar o limitador de profundidade 5

Se for necessária uma profundidade de furação exacta, terá de ser determinada fazendo furos de teste.

1. Pressione e mantenha pressionado o destravamento do limitador de profundidade.
2. Desloque o limitador de profundidade até à profundidade de furação pretendida.
3. Solte o destravamento do limitador de profundidade.

5.5 Limpar o filtro (versão EUA) 6

Limpe o filtro após 5 furos (12 mm x 50 mm) (1/2 pol. x 2 pol.).

- ▶ Quando a potência de aspiração diminuir, accione o mecanismo de limpeza e deixe que o mecanismo engate para trás (5×).



AVISO**Risco de lesão com a bateria encaixada !**

- ▶ Retire sempre a bateria antes de todos os trabalhos de conservação e manutenção!

Conservação do produto

- Remova sujidade persistente com cuidado.
- Se existente, limpe as saídas de ar cuidadosamente com uma escova seca e macia.
- Limpe a carcaça apenas com um pano ligeiramente húmido. Não utilize produtos de conservação que contenham silicone, uma vez que estes podem danificar os componentes de plástico.
- Utilize um pano limpo e seco, para limpar os contactos do produto.

Conservação das baterias de iões de lítio

- Nunca utilize uma bateria com as saídas de ar obstruídas. Limpe as saídas de ar cuidadosamente com uma escova seca e macia.
- Evite que a bateria seja exposta desnecessariamente a pó ou sujidade. Nunca exponha a bateria a humidade elevada (por ex., mergulhar em água ou deixar à chuva).
Se uma bateria tiver ficado encharcada, trate-a como uma bateria danificada. Isole-a num recipiente não inflamável e contacte o Centro de Assistência Técnica **Hilti**.
- Mantenha a bateria sem resíduos de óleo e massa consistente externos. Não permita que se acumule desnecessariamente pó ou sujidade sobre a bateria. Limpe a bateria com uma escova seca e macia ou um pano limpo e seco. Não utilize produtos de conservação que contenham silicone, uma vez que estes podem danificar os componentes de plástico.
Não toque nos contactos da bateria nem remova dos contactos a massa consistente aplicada de fábrica.
- Limpe a carcaça apenas com um pano ligeiramente húmido. Não utilize produtos de conservação que contenham silicone, uma vez que estes podem danificar os componentes de plástico.

Manutenção

- Verifique, regularmente, todos os componentes visíveis quanto a danos e os comandos operativos quanto a funcionamento perfeito.
- Não opere o produto se existirem danos e/ou perturbações de funcionamento. Mandar reparar o produto imediatamente no Centro de Assistência Técnica **Hilti**.
- Após os trabalhos de conservação e manutenção, aplique todos os dispositivos de protecção e verifique se funcionam correctamente.



Para um funcionamento seguro, utilize apenas peças sobresselentes e consumíveis originais. Poderá encontrar peças sobresselentes, consumíveis e acessórios aprovados pela **Hilti** para o seu produto na sua **Hilti Store** ou em: www.hilti.group

6.1 Esvaziar o recipiente para o pó 

1. Segure o módulo de pó montado na horizontal.
2. Accione várias vezes o interruptor on/off no martelo perfurador, de modo a aspirar restos de pó para o respectivo recipiente.
3. Desmonte o módulo de aspiração de pó. → Página 29
4. Pressione e mantenha pressionado o destravamento do recipiente para o pó.
5. Puxe o recipiente de pó para a frente, para fora do módulo de pó.
6. Solte a fixação da tampa do recipiente para o pó.
7. Retire a tampa do recipiente para o pó.
8. Esvazie o recipiente para o pó.
9. Pressione a tampa do recipiente para o pó sobre o respectivo recipiente, até que engatem as duas fixações.
10. Introduza o recipiente para o pó no módulo de pó, até que engate.
 - ▶ Verifique se o recipiente para o pó assenta firmemente no módulo de pó.

6.2 Substituir o filtro 

1. Desmonte o módulo de aspiração de pó. → Página 29
2. Esvazie o recipiente para o pó. → Página 30
3. Solte as fixações do filtro com uma chave de fenda.



4. Retire o filtro e elimine o filtro.
5. Pressione o novo filtro para dentro do recipiente para o pó, até que engatem todas as fixações.
 - ▶ Certifique-se de que o filtro assenta firmemente no recipiente para o pó.
6. Introduza o recipiente para o pó no módulo de pó, até ao engate do destravamento.
 - ▶ Verifique se o recipiente para o pó assenta firmemente no módulo de pó.

6.3 Substituir a cabeça de extracção

1. Desmonte o módulo de aspiração de pó. → Página 29
2. Pressione e mantenha pressionado o botão de destravamento na cabeça de extracção.
3. Puxe a cabeça de extracção para cima, para fora do limitador de profundidade.
4. Pressione a nova cabeça de extracção para dentro do limitador de profundidade, até que a cabeça de extracção engate.

7 Transporte e armazenamento de ferramentas a bateria e baterias

Transporte

CUIDADO

Arranque inadvertido durante o transporte !

- ▶ Transporte os seus produtos sempre sem as baterias colocadas!
-
- ▶ Retire a/as bateria(s).
 - ▶ Nunca transporte as baterias sem embalagem. Durante o transporte, as baterias devem ser protegidas contra impactos e vibrações excessivos e isoladas de quaisquer materiais condutores ou outras baterias, para que não entrem em contacto com os pólos de outras baterias e causem um curto-circuito. **Observe as suas normas de transporte locais para baterias.**
 - ▶ As baterias não devem ser enviadas por correio. Quando pretender enviar baterias não danificadas, contacte uma empresa transportadora.
 - ▶ Verifique o produto e as baterias quanto a danos antes de cada utilização, bem como antes e depois de longos períodos de transporte.

Armazenamento

AVISO

Dano accidental devido a baterias com defeito ou a perderem líquido !

- ▶ Armazene os seus produtos sempre sem as baterias colocadas!
-
- ▶ Guarde o produto e as baterias em lugar fresco e seco. Tenha em atenção os valores limite de temperatura, que estão indicados nas Características técnicas.
 - ▶ Não guarde as baterias no carregador. Após o processo de carregamento, retire sempre a bateria do carregador.
 - ▶ Nunca armazene as baterias em locais sujeitos a exposição solar, em cima de fontes de calor ou por trás de um vidro.
 - ▶ Guarde o produto e as baterias fora do alcance das crianças e das pessoas não autorizadas.
 - ▶ Verifique o produto e as baterias quanto a danos antes de cada utilização, bem como antes e depois de longos períodos de armazenamento.

8 Ajuda em caso de avarias

No caso de avarias que não sejam mencionadas nesta tabela ou se não conseguir resolvê-las por si mesmo, contacte o nosso Centro de Assistência Técnica **Hilti**.

Avaria	Causa possível	Solução
Formação excessiva de pó.	Recipiente para pó cheio.	▶ Esvazie o recipiente para pó.
	Recipiente para o pó ou filtro com defeito.	▶ Substitua o recipiente para o pó ou o filtro.
	Cabeça de extracção com defeito.	▶ substitua a cabeça de extracção.
	Escova na cabeça de extracção desgastada.	▶ substitua a cabeça de extracção.



Avaria	Causa possível	Solução
Broca não está centrada na cabeça de extracção.	Módulo de aspiração de pó não está correctamente aplicado.	▶ Encaixe o módulo de aspiração de pó até que engate.


9 Reciclagem



AVISO

Perigo de ferimentos devido a eliminação incorrecta! Riscos para a saúde devido à fuga de gases ou líquidos.

- ▶ Não envie quaisquer baterias danificadas!
 - ▶ Para evitar curto-circuitos, cubra as conexões com um material não condutor.
 - ▶ Elimine as baterias de modo a mantê-las longe do alcance das crianças.
 - ▶ Efectue a reciclagem da bateria na sua **Hilti Store** ou entre em contacto com a empresa de recolha de lixo responsável.
-

 Os produtos **Hilti** são, em grande parte, fabricados com materiais recicláveis. Um pré-requisito para a reciclagem é que esses materiais sejam devidamente separados. Em muitos países, a **Hilti** aceita o seu aparelho usado para reaproveitamento. Para mais informações, dirija-se ao Serviço de Clientes **Hilti** ou ao seu vendedor.



- ▶ Não deite as ferramentas eléctricas, aparelhos electrónicos e baterias no lixo doméstico!
-

10 Garantia do fabricante

- ▶ Se tiver dúvidas em relação às condições de garantia, contacte o seu parceiro **Hilti** local.

11 Mais informações

Pode consultar informações mais pormenorizadas sobre Utilização, Tecnologia, Meio ambiente e Reciclagem na seguinte hiperligação: qr.hilti.com/manual/?id=0000000

Também pode encontrar esta hiperligação no final do manual de instruções sob a forma de código QR.







Hilti Corporation
LI-9494 Schaan
Tel.:+423 234 21 11
Fax:+423 234 29 65
www.hilti.group



2354049